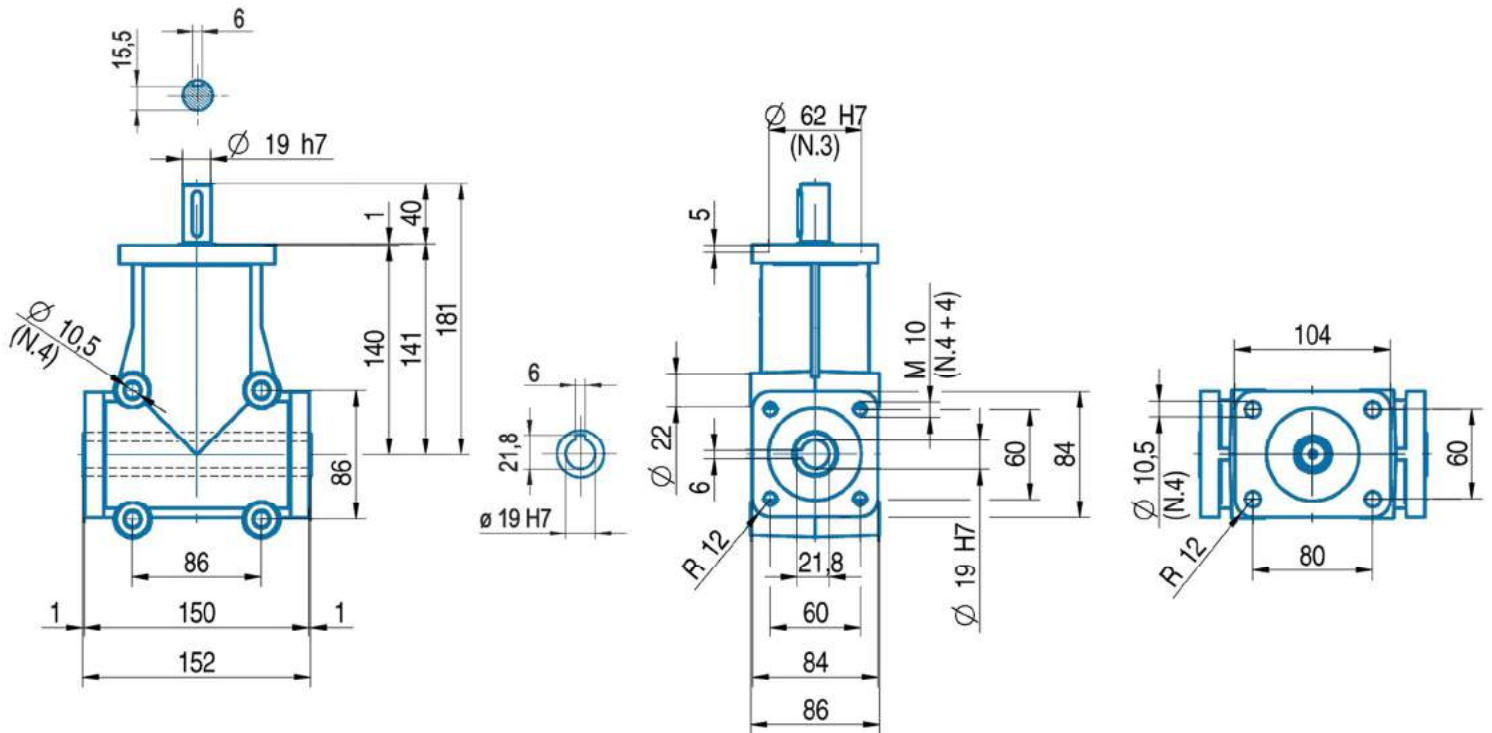


ZR 19 H

Technical data

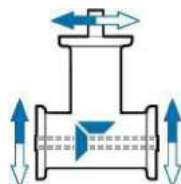
Type	Ratio i	2800 n2 (min1)		1400 n2 (min1)		900 n2 (min1)		700 n2 (min1)		RD	Kg
		M2 [Nm]	P1 (kW)	M2 [Nm]	P1 (kW)	M2 [Nm]	P1 (kW)	M2 [Nm]	P1 (kW)		
ZR 19	1	26.0	7.9	29.0	4.4	32.0	3.1	—	—	0.97	4.7
	2	29.0	4.4	32.0	2.4	35.0	1.7	—	—	0.97	
	3	18.0	1.8	20.0	1.0	22.0	0.71	—	—	0.97	

Dimensions



ZR 19 H

Shafts position and direction of rotation



H