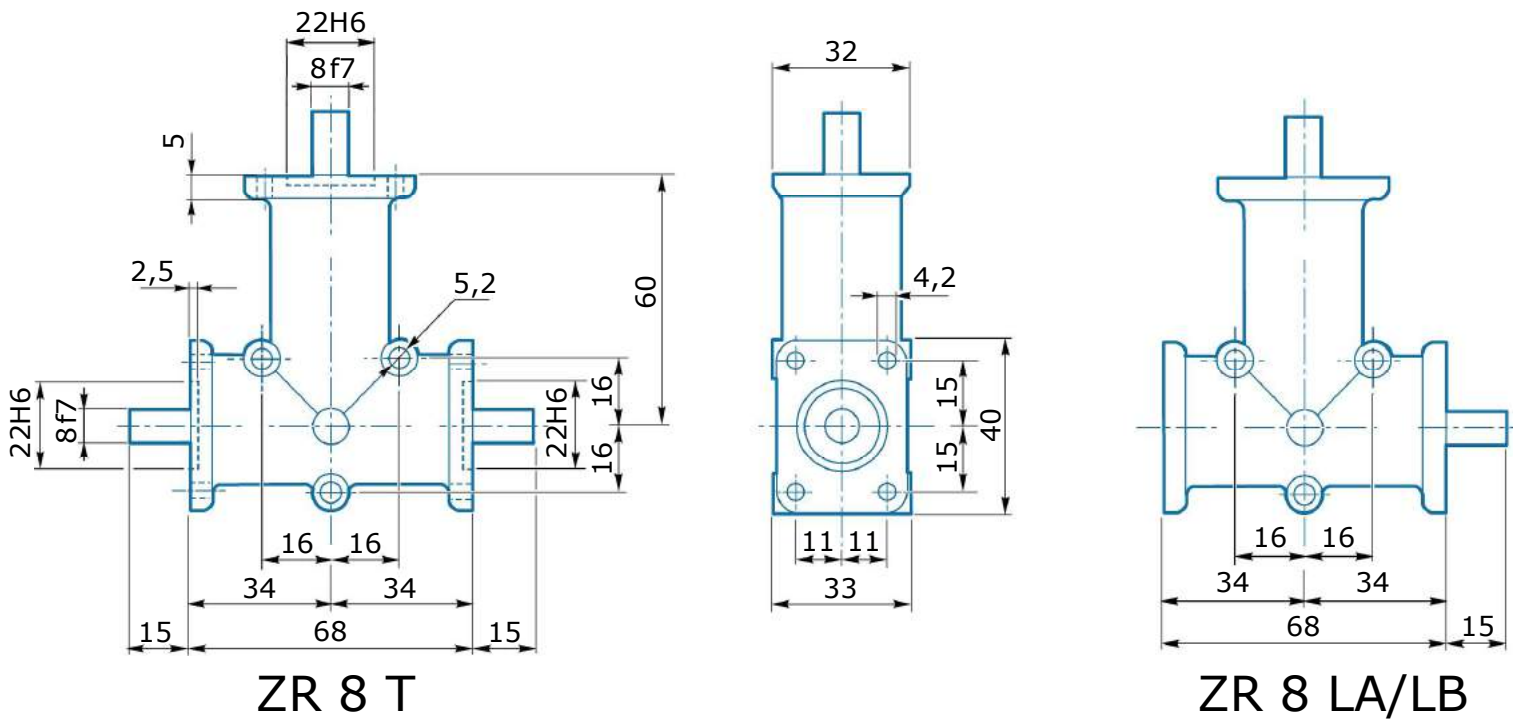


# ZR 8

## Technical data

Type	Ratio i	2800 n2 (min1)		1400 n2 (min1)		900 n2 (min1)		700 n2 (min1)		RD	Kg
		M2 [Nm]	P1 (kW)	M2 [Nm]	P1 (kW)	M2 [Nm]	P1 (kW)	M2 [Nm]	P1 (kW)		
ZR 8	1	2.0	0.63	2.4	0.37	2.6	0.29	2.9	0.19	0.97	0.3
	2	—	—	0.9	0.14	1.0	0.11	1.1	0.07	0.97	

## Dimensions



## Shafts position and direction of rotation

