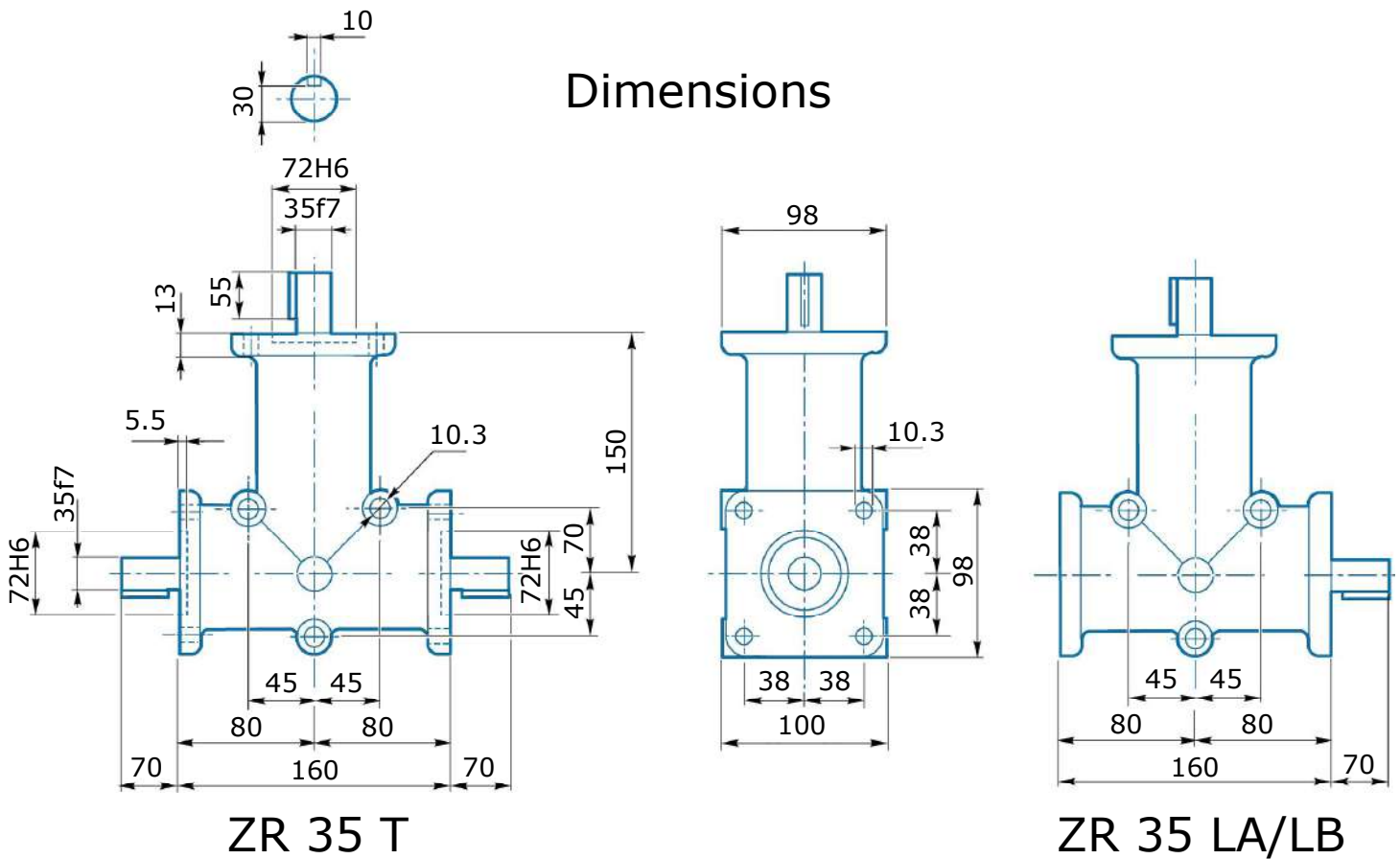


ZR 35

Technical data

Type	Ratio i	2800 n2 (min1)		1400 n2 (min1)		800 n2 (min1)		400 n2 (min1)		RD	Kg
		M2	P1	M2	P1	M2	P1	M2	P1		
		[Nm]	(kW)	[Nm]	(kW)	[Nm]	(kW)	[Nm]	(kW)		
ZR 35	1	43	14	52	7.7	60	5.0	71	3.0	0.97	8.8
	2	36	11	43	6.4	50	4.0	60	2.5	0.97	

Dimensions



Shafts position and direction of rotation

