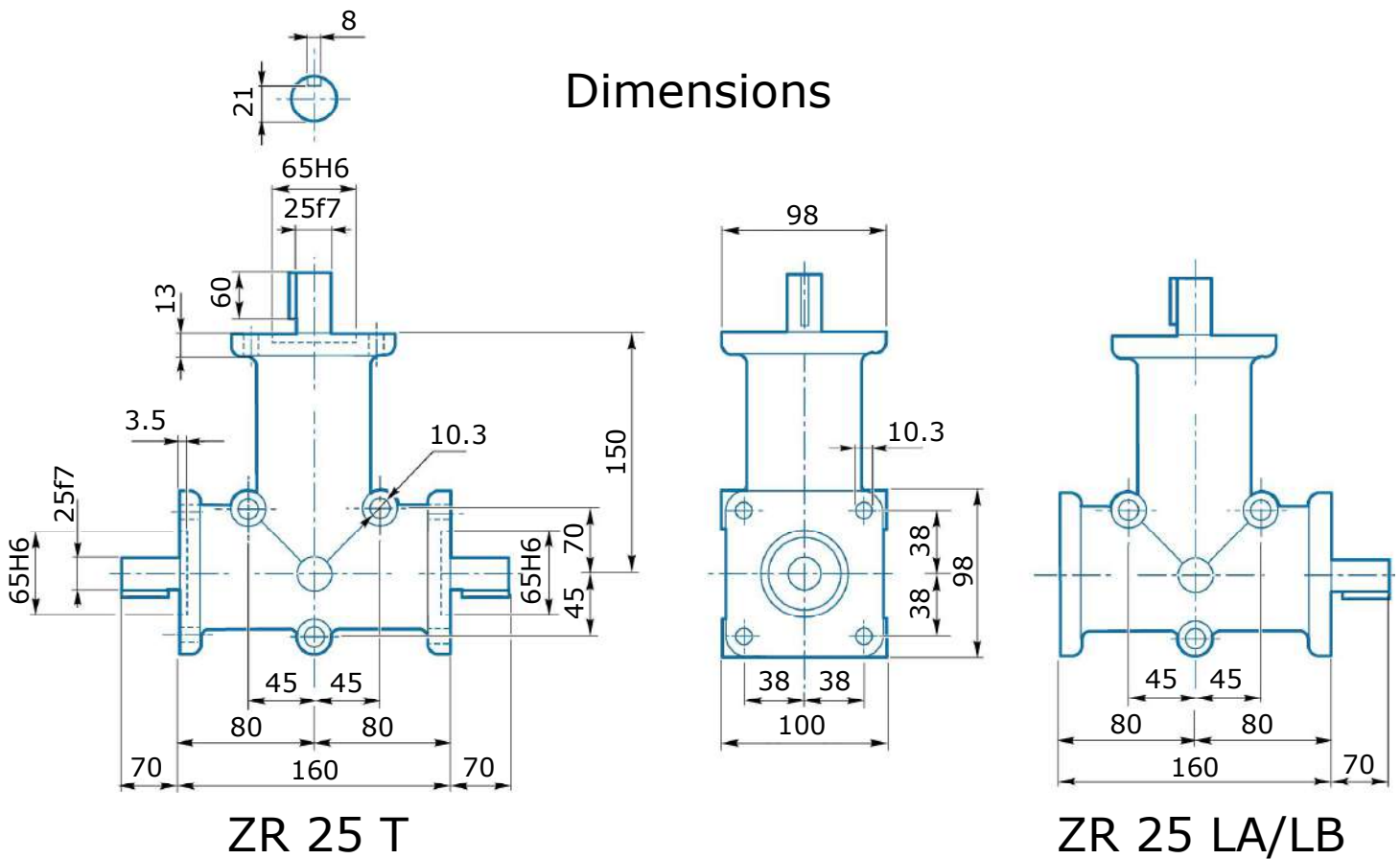


ZR 25

Technical data

Type	Ratio i	2800 n2 (min1)		1400 n2 (min1)		900 n2 (min1)		700 n2 (min1)		RD	Kg
		M2 [Nm]	P1 (kW)	M2 [Nm]	P1 (kW)	M2 [Nm]	P1 (kW)	M2 [Nm]	P1 (kW)		
ZR 25	1	33	11	42	6.5	46	5.1	53	3.5	0.97	5.7
	2	—	—	29.5	4.5	33	3.6	37	2.5	0.97	

Dimensions



Shafts position and direction of rotation

