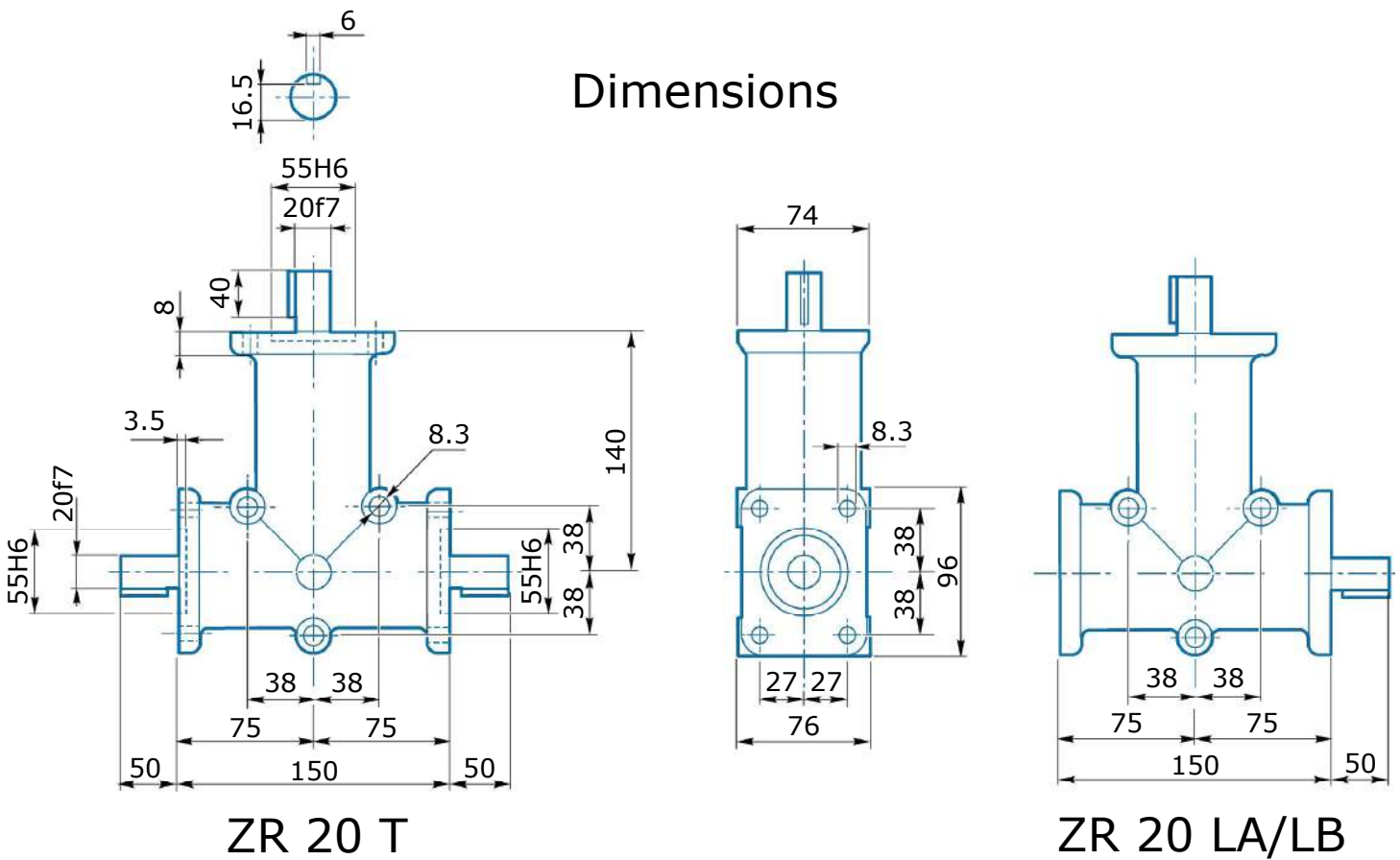


ZR 20

Technical data

Type	Ratio i	2800 n2 (min1)		1400 n2 (min1)		900 n2 (min1)		700 n2 (min1)		RD	Kg
		M2 [Nm]	P1 (kW)	M2 [Nm]	P1 (kW)	M2 [Nm]	P1 (kW)	M2 [Nm]	P1 (kW)		
ZR 20	1	20.2	6.5	25.2	3.9	27.1	3.0	29.7	2.0	0.97	3.5
	2	—	—	17.9	2.8	19	2.1	21	1.4	0.97	

Dimensions



Shafts position and direction of rotation

