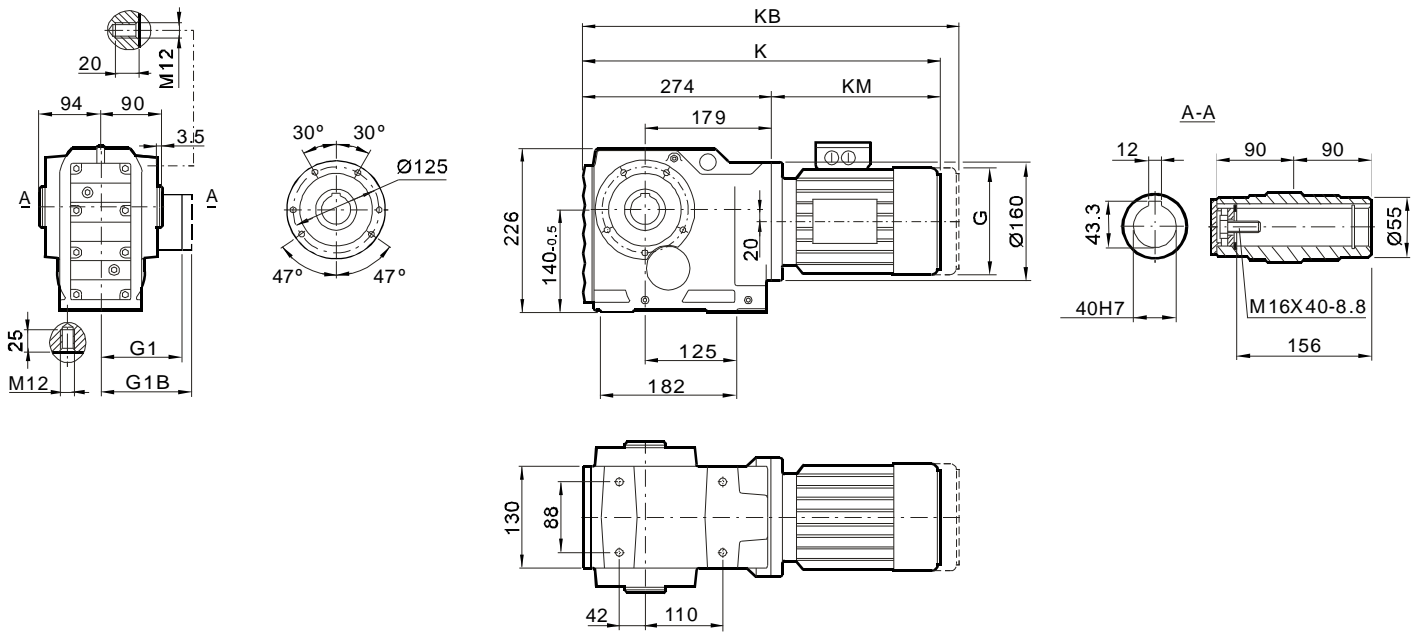


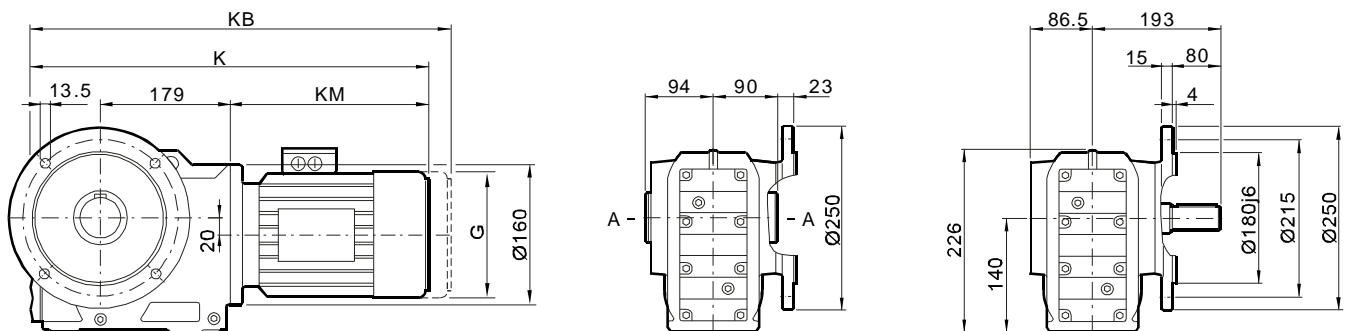
KAT 40 U



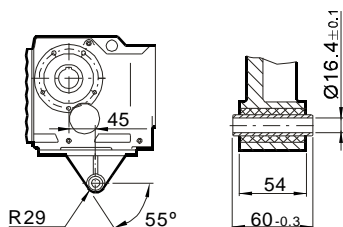
Motor frame

| Dimensions | 63 | 71 | 80 | 90 | 100M | 100L | 112M | 132S |
|------------|-----|-----|-----|-----|------|------|------|------|
| G | 132 | 145 | 145 | 197 | 197 | 197 | 221 | 221 |
| G1 | 105 | 122 | 122 | 154 | 166 | 166 | 179 | 179 |
| G1B | 105 | 127 | 127 | 161 | 166 | 166 | 182 | 182 |
| K | 459 | 473 | 523 | 543 | 593 | 623 | 628 | 676 |
| KB | 514 | 537 | 587 | 628 | 678 | 708 | 708 | 756 |
| KM | 185 | 199 | 249 | 269 | 319 | 349 | 354 | 402 |

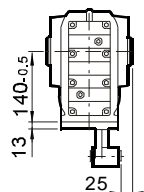
KAT 40 UF



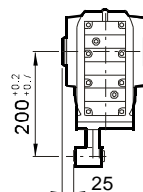
TORQUE ARM



TA-L



TA-R



SINGLE LOW SPEED SHAFTS

