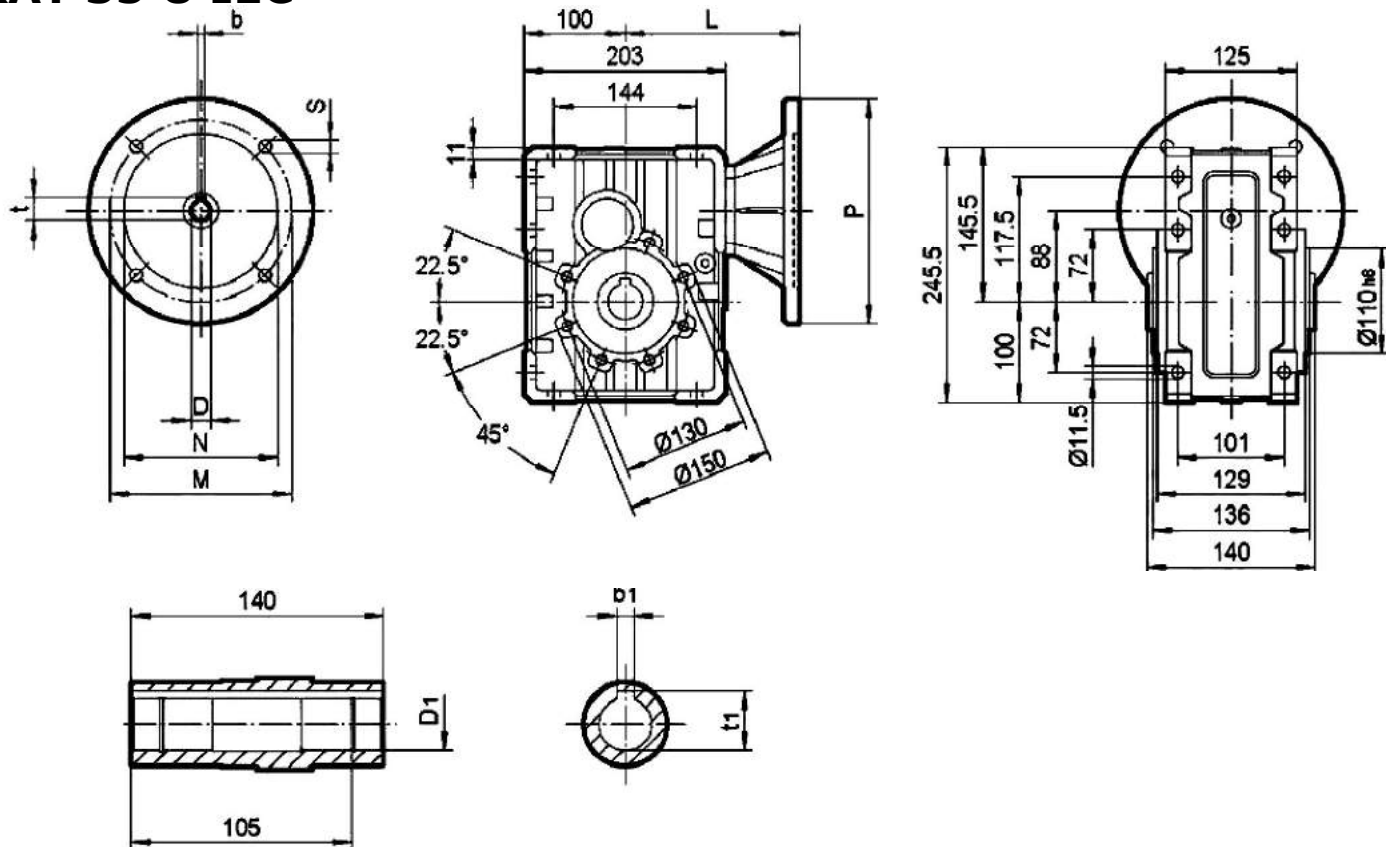


## KAT 35 U IEC



Motor frame

Dimensions	$D_{E8}$	$b$	$t$	$P$	$M$	$N$	$S$	$T$	$L$	$D_{1 HB}$	$b_1$	$t_1$
<b>63B5</b>	11	4	12.8	140	115	95	9	4	155	35	10	38.3
<b>71B5</b>	14	5	16.3	160	130	110	9	4	162			
<b>80B5</b>	19	6	21.8	200	165	130	11	4	182			
<b>80B14</b>	19	6	21.8	120	100	80	7	4	182			
<b>90B5</b>	24	8	27.3	200	165	130	11	4	182			
<b>90B14</b>	24	8	27.3	1 40	115	95	9	4	182			
<b>100/112B5</b>	28	8	31.3	250	215	180	13.5	4.5	192			
<b>100/112B14</b>	28	8	31.3	1 60	130	110	9	4.5	192			

## KAT 35 UF... IEC

