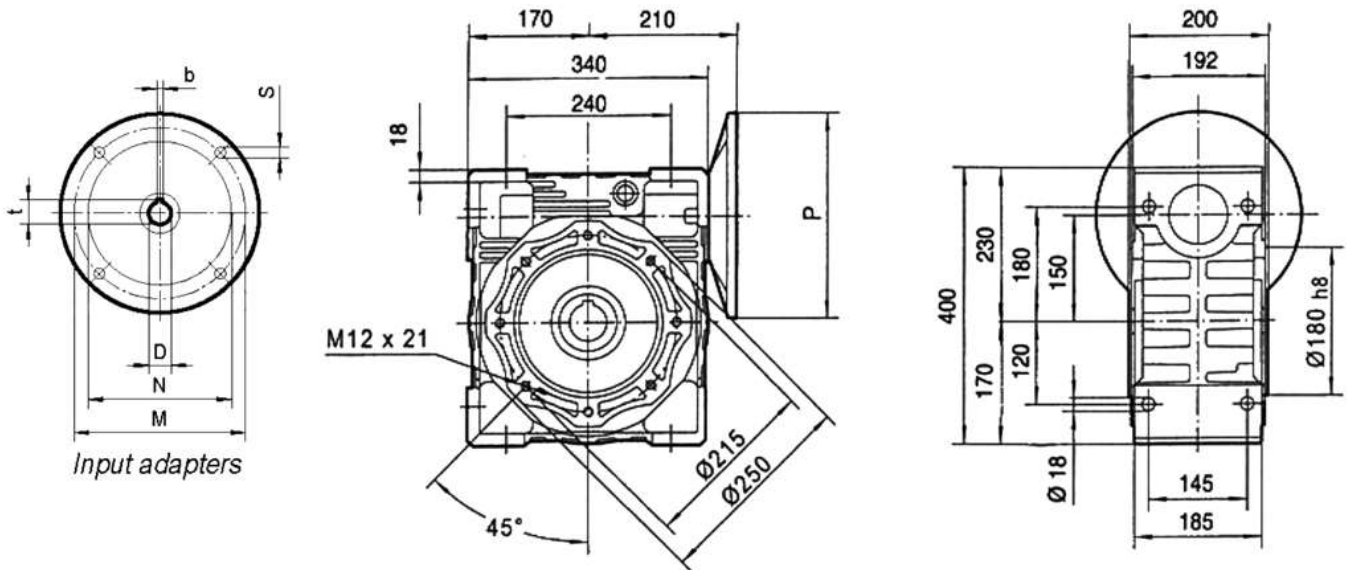
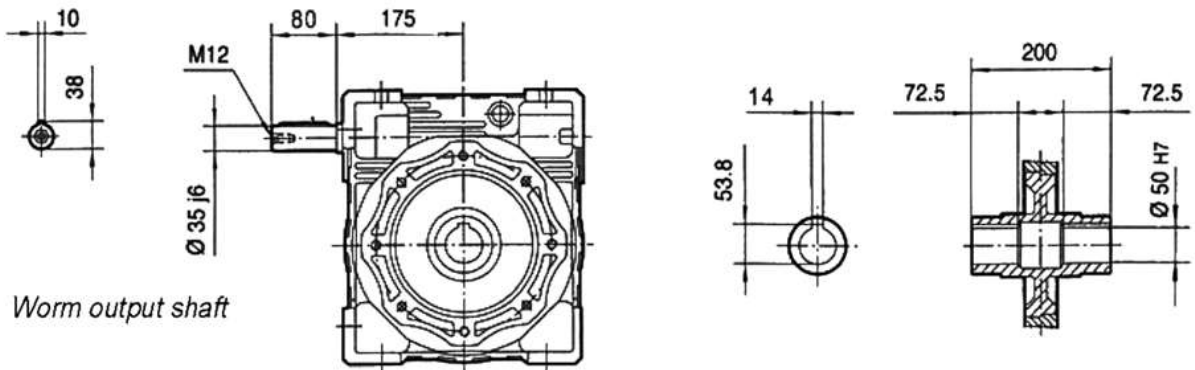


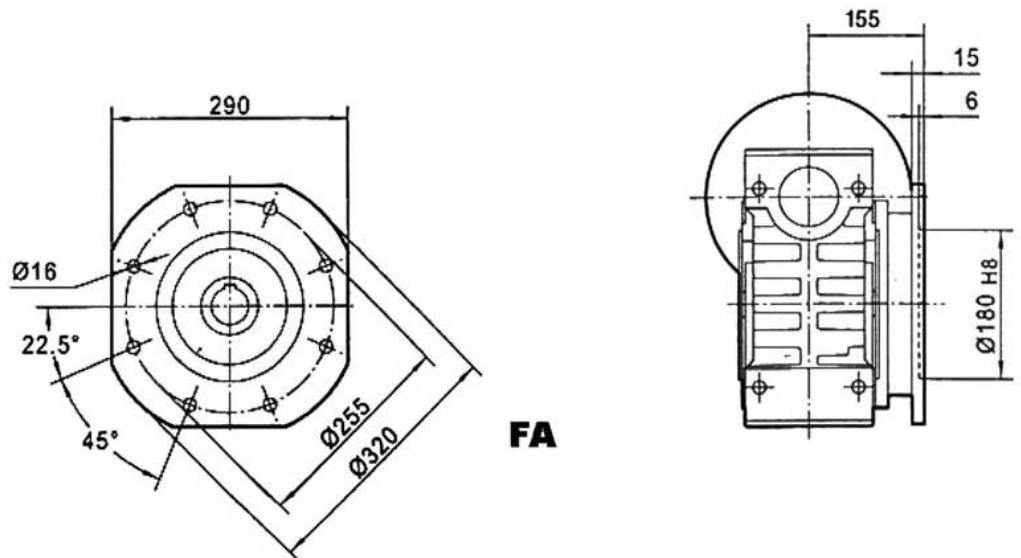
## ATW 150 IEC



## ATW 150 HS



## ATW 150 F



IEC	D <sub>E8</sub>	b	t	P	M	N	S	T
90B5	24	8	27.3	200	165	130	11	4
100B5	28	8	31.3	250	215	180	14	4.5
112B5	28	8	31.3	250	215	180	14	4.5
132B5	38	10	41.3	300	265	230	14	4.5

Weight without motor ≈ 84 kg