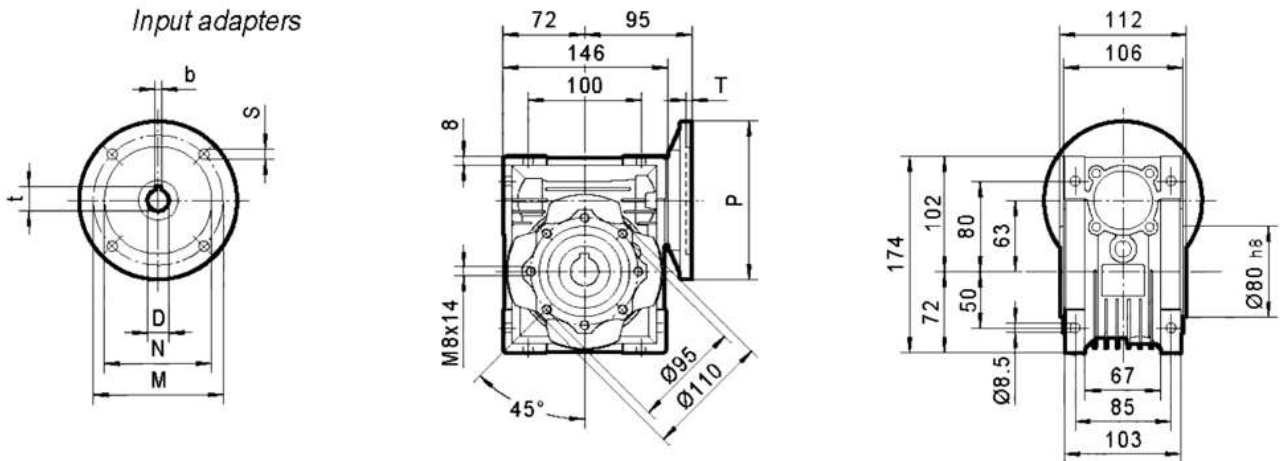
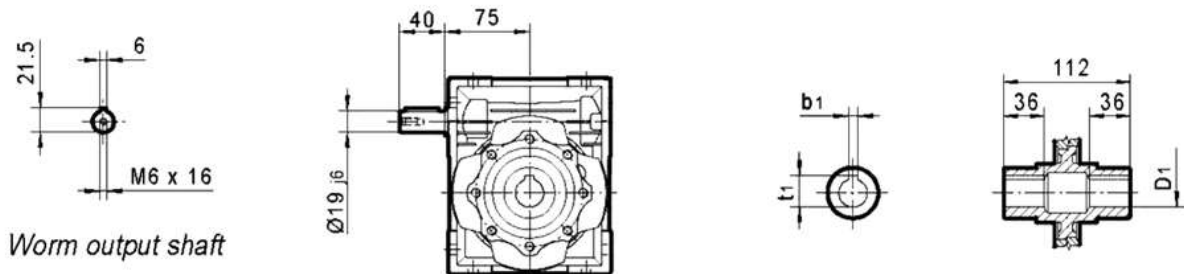


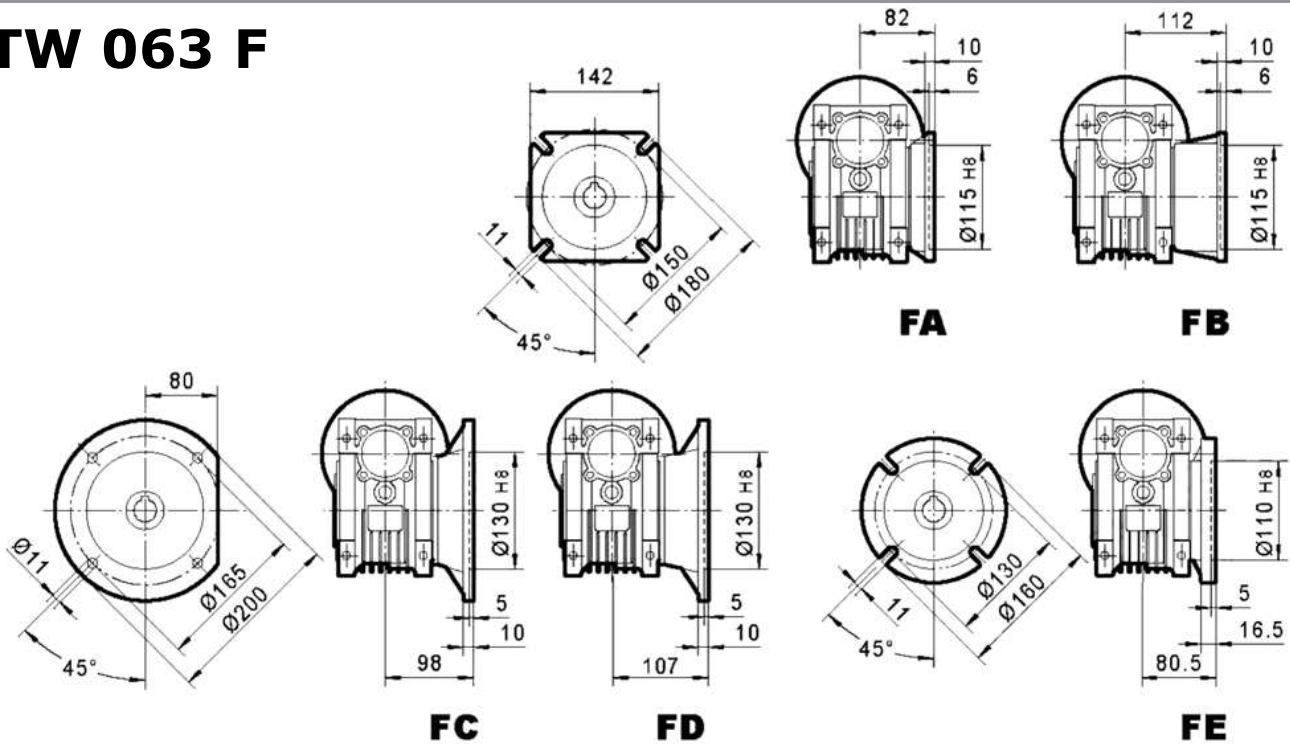
## ATW 063 IEC



## ATW 063 HS



## ATW 063 F



IEC	DE8	b	t	P	M	N	S	T	D1 H8	b1	t1
71B5	14	5	16.3	160	130	110	9	4	25	8	28.3
71B14	14	5	16.3	105	85	70	7	4	28*	8*	31.3*
80B5	19	6	21.8	200	165	130	11	4	* Only on request		
80B14	19	6	21.8	120	100	80	7	4			
90B5	24	8	27.3	200	165	130	11	4			
90B14	24	8	27.3	140	115	95	9	4			

Weight without motor ≈ 6.2 kg