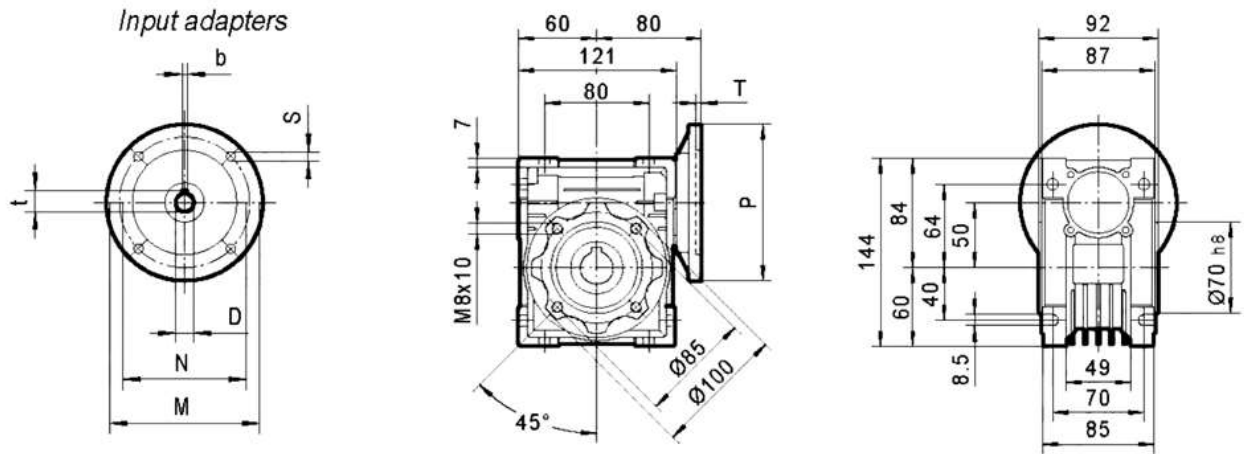
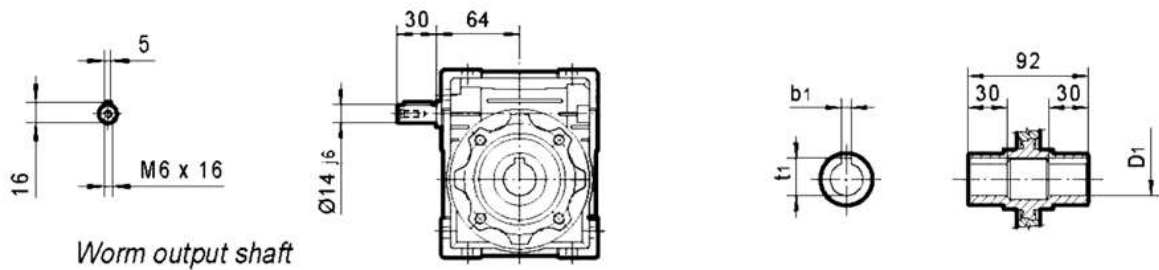


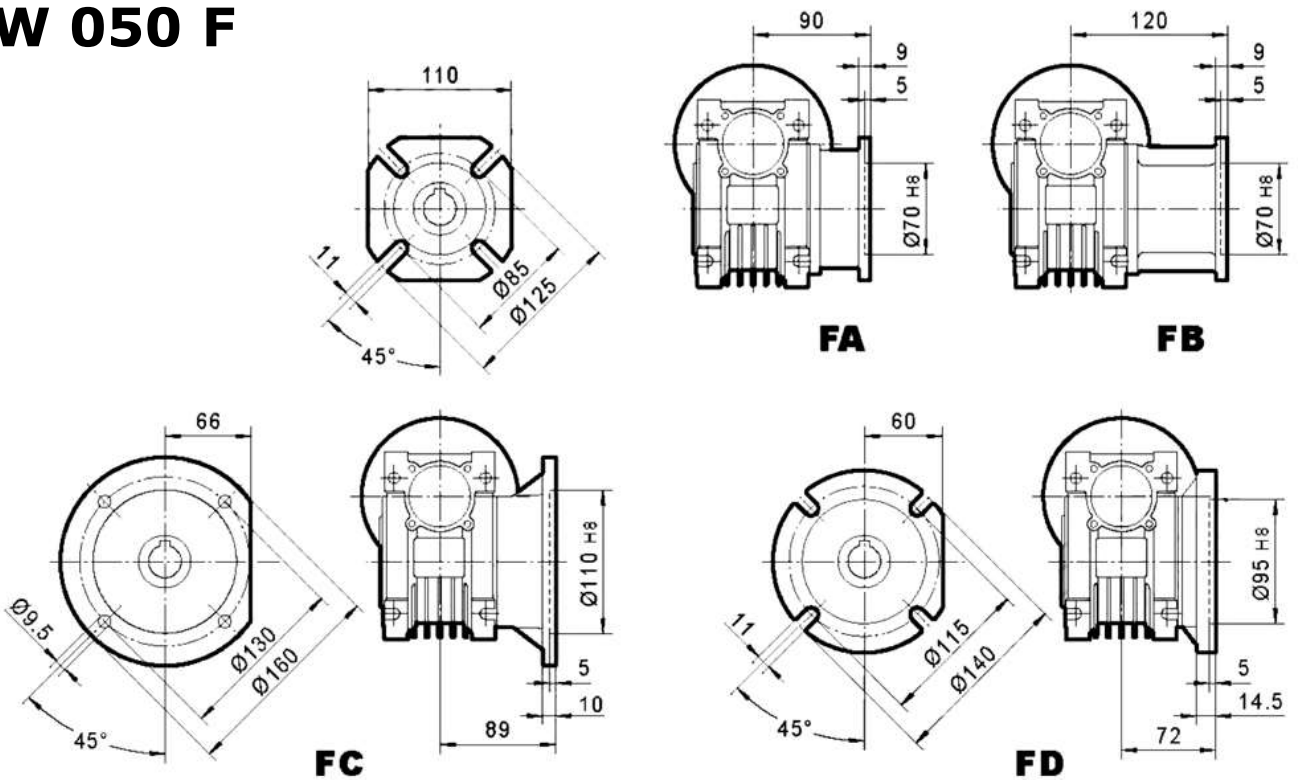
ATW 050 IEC



ATW 050 HS



ATW 050 F



IEC	D_{E8}	b	t	P	M	N	S	T	$D_1 \text{ H8}$	b_1	t_1
63B5	11	4	12.8	140	115	95	9	4	25	8	28.3
71B5	14	5	16.3	160	130	110	9	4	24*	8*	27.3*
71B14	14	5	16.3	105	85	70	7	4	* Only on request		
80B5	19	6	21.8	200	165	130	11	4			
80B14	19	6	21.8	120	100	80	7	4			

Weight without motor $\approx 3.5 \text{ kg}$