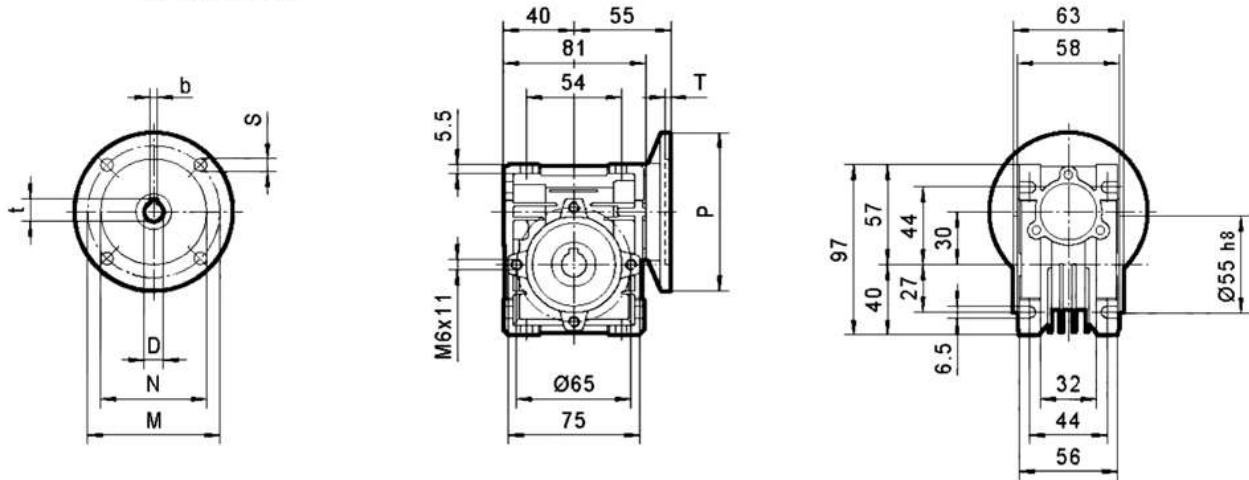


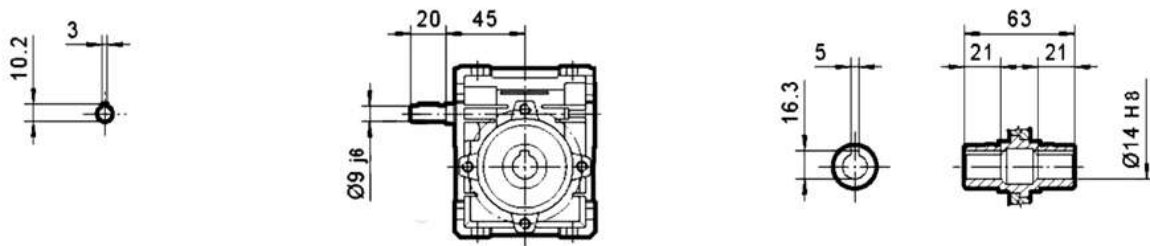
ATW 030 IEC

Input adapters

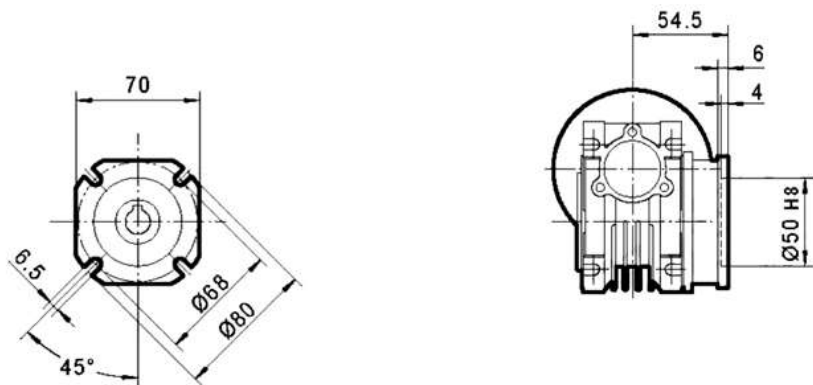


ATW 030 HS

Worm output shaft



ATW 030 FA



IEC	D _{E8}	b	t	P	M	N	S	T
56B5	9	3	10.4	120	100	80	7	4
56B14	9	3	10.4	80	65	50	5.5	4
63B5	11	4	12.8	140	115	95	9	4
63B14	11	4	12.8	90	75	60	5.5	4

Weight without motor ≈ 1.2 kg