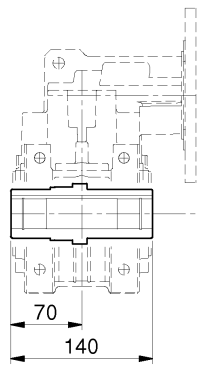
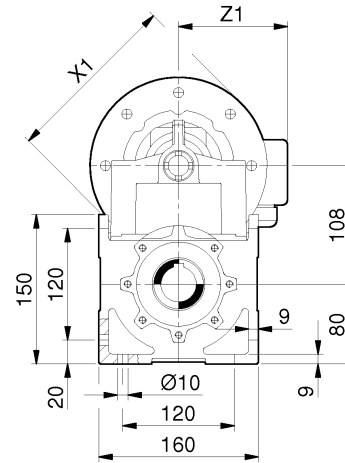
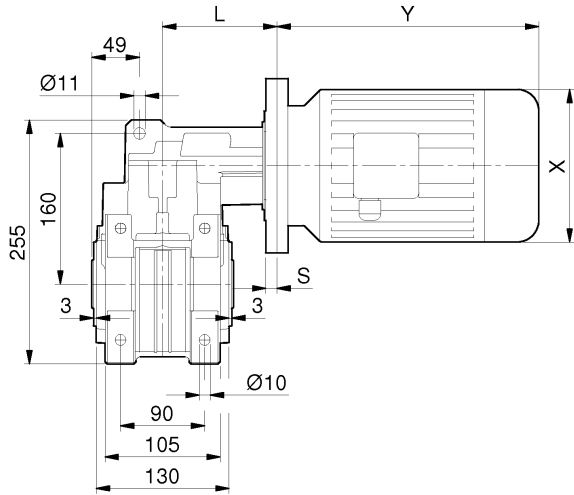
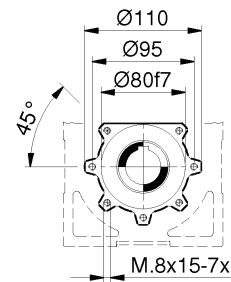
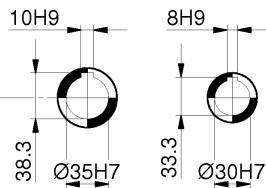


Dimensioni - Dimensions - Abmessungen

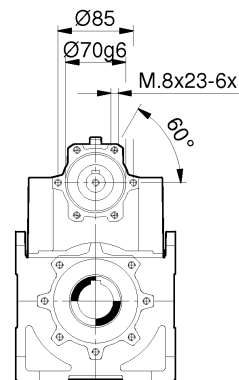
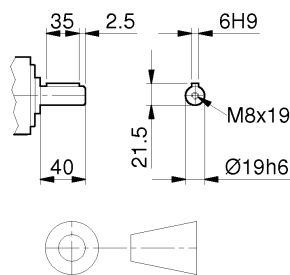
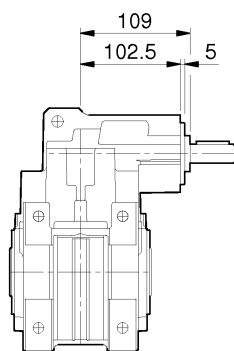
**MRN
FRN**



AC35 AC30



RN



RN	22 / 23	22 / 23	22	22	22	22	
IEC	71	80	90 S	90 L	100	112	
X / Y / Z1	140/220/121	159/238/138	176/255/149	176/280/149	195/314/160	219/328/172	
X1 (B5) / S	160/15,5	200/15,5	200/15,5	200/15,5	250/16,5	250/16,5	
X1 (B14) / S	105/15,5	120/17,5	140/17,5	140/17,5	160/15,5	160/15,5	
L (RN22)	118	118 (120)	118 (120)	118 (120)	119 (118)	119 (118)	
L (RN23)	118	118 (120)	---	---	---	---	