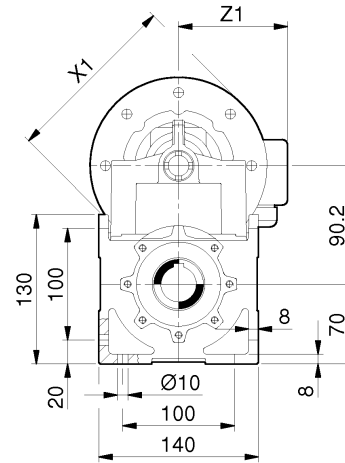
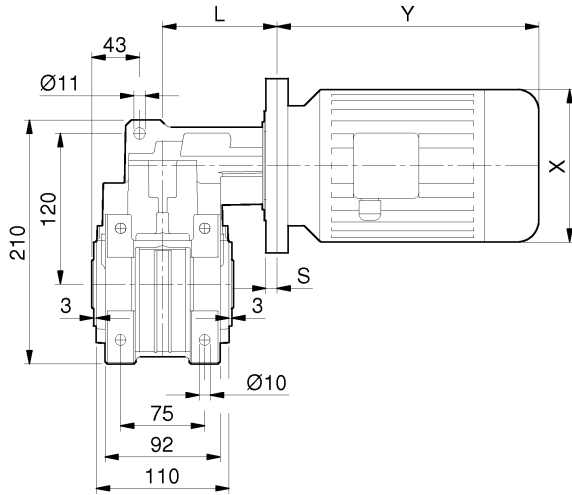
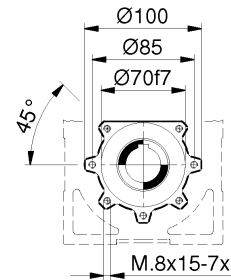
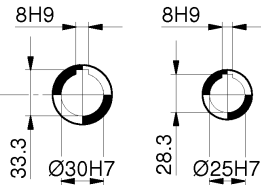
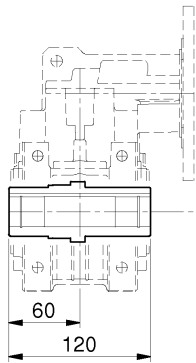


Dimensioni - Dimensions - Abmessungen

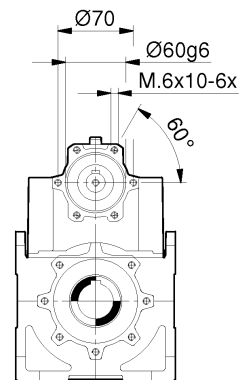
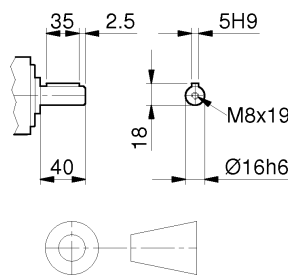
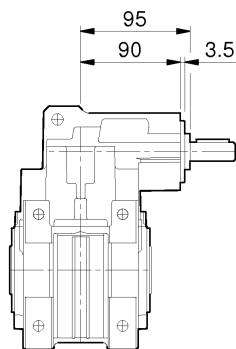
**MRN
FRN**



AC30 AC25



RN



RN	12 / 13	12 / 13	12 / 13	12	12	12	
IEC	56	63	71	80	90 S	90 L	
X / Y / Z1	110/168/108	123/185/110	140/220/121	159/238/138	176/255/149	176/280/149	
X1 (B5) / S	120/13	140/13	160/13,5	200/13,5	200/13,5	200/13,5	
X1 (B14) / S	---	90/13	105/18,5	120/13,5	140/13,5	140/13,5	
L (RN12)	103	103	103,5 (108,5)	103,5	103,5	103,5	
L (RN13)	103	103	103,5 (108,5)	---	---	---	