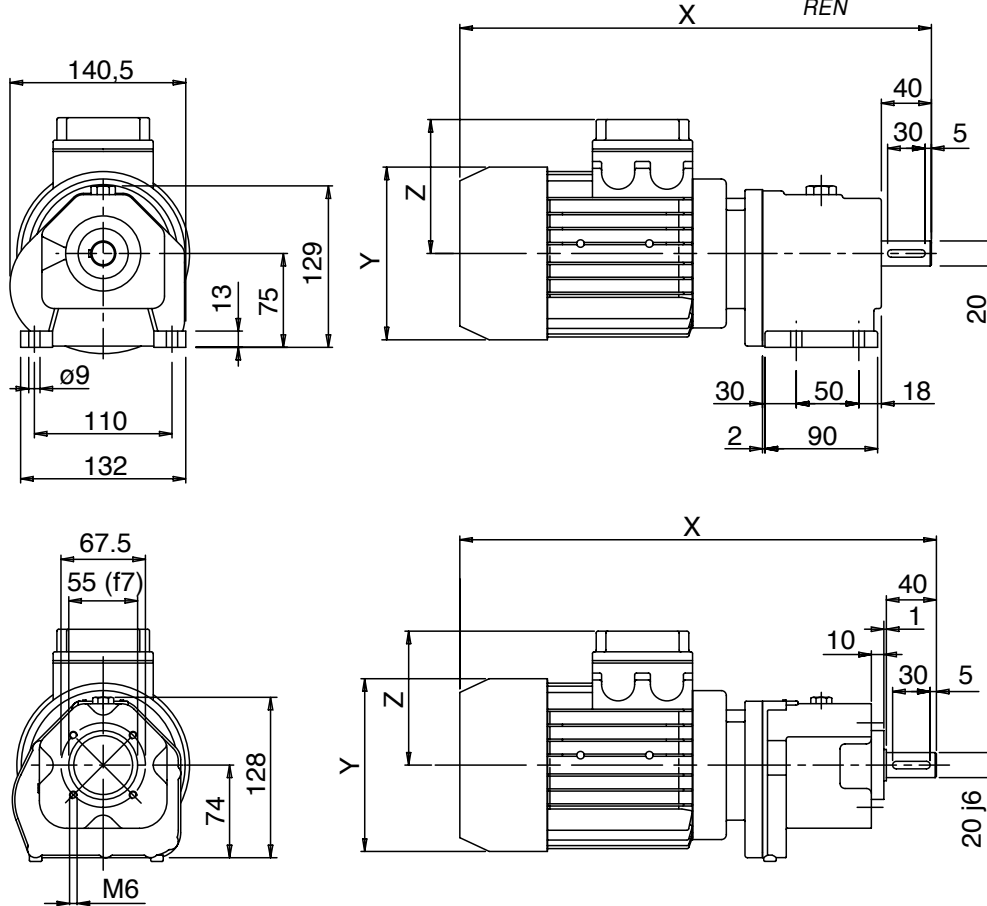


MNHLC 20 - MOTORIDUTTORE COMPATTO

MNHLC 20 - COMPACT GEARED MOTOR

MNHLC 20 - KOMPAKTE GETRIEBEMOTOREN

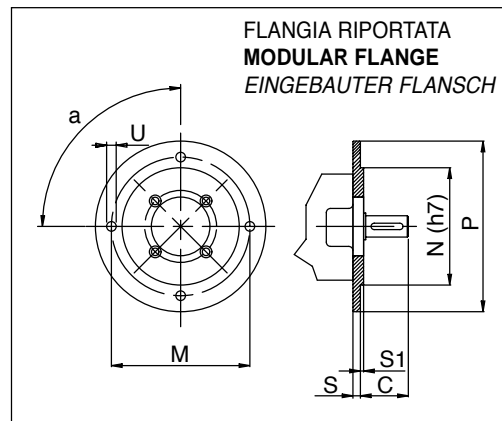
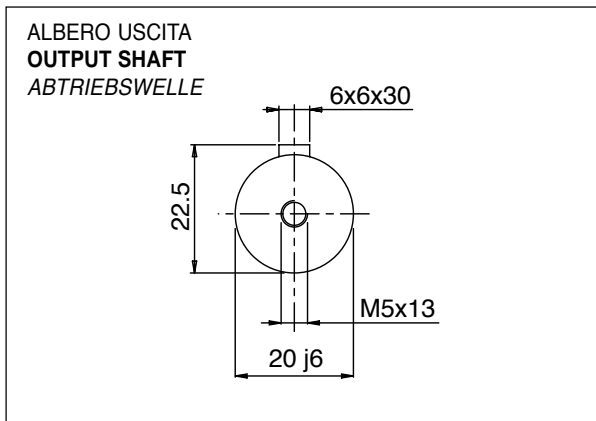
NHL-MNHL



(*) Disponibile anche con albero uscita $\varnothing 16$ j6 mm.

(*) Even available with 16 j6 mm shaft.

(*) Verfügbar auch mit 16 j6 mm welle.



20/2	Y	Z	X
/2....GR 63 /2F....GR 63	123	98	365
/2....GR 71 /2F....GR 71	138	107	380
/2....GR 80 /2F....GR 80	156	124	400

P = 120							
N	C	M	P	α	S	S1	U
80	40	100	120	90°	9	3	7

P = 140							
N	C	M	P	α	S	S1	U
95	40	115	140	90°	9	3	9

P = 160							
N	C	M	P	α	S	S1	U
110	40	130	160	90°	9	3	9