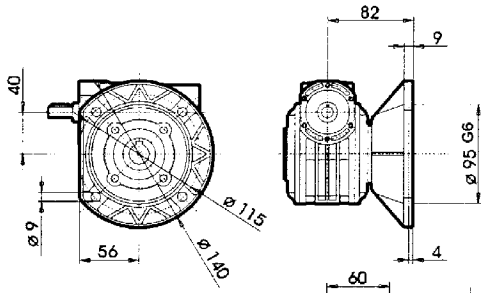
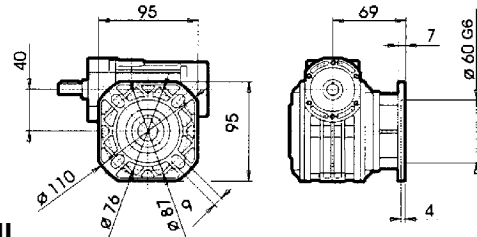


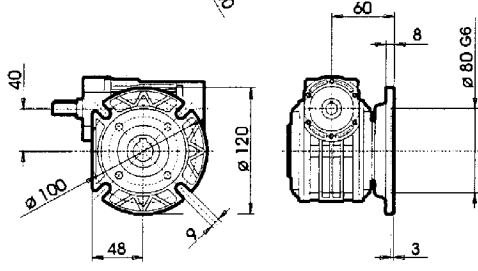
I 40 F



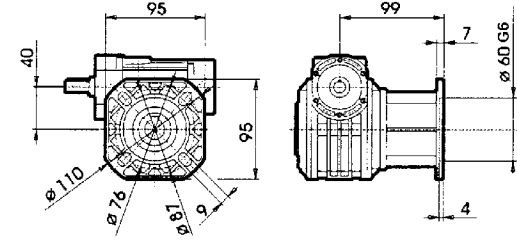
I 40 FBM



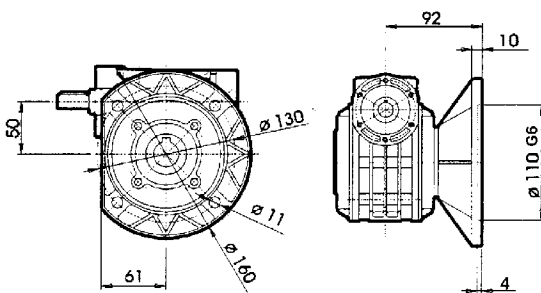
I 40 FBR



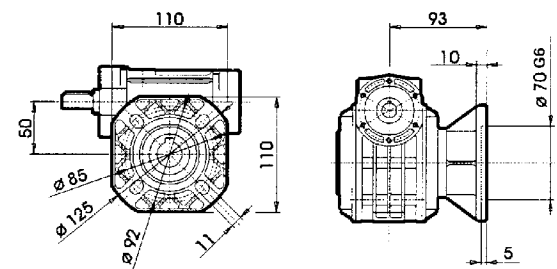
I 40 FBML



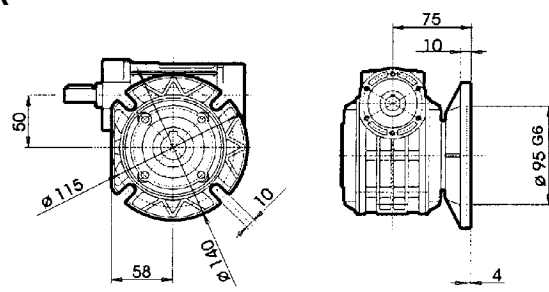
I 50 F



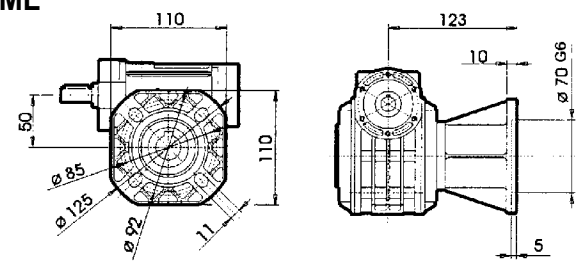
I 50 FBM



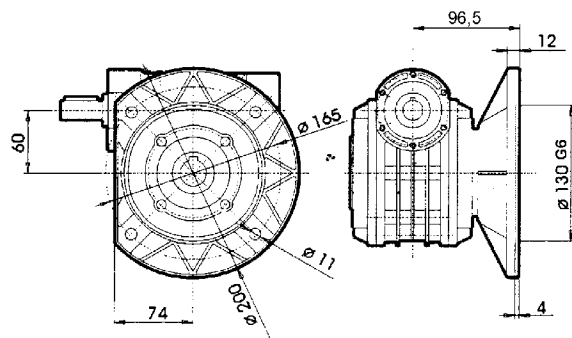
I 50 FBR



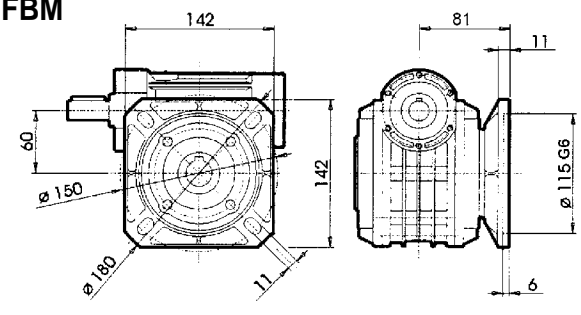
I 50 FBML



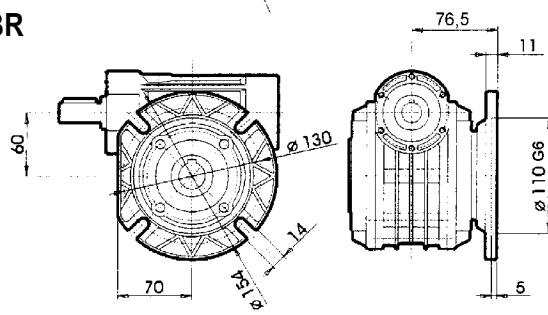
I 60 F



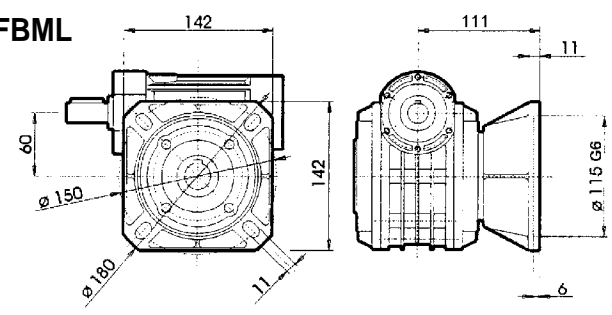
I 60 FBM



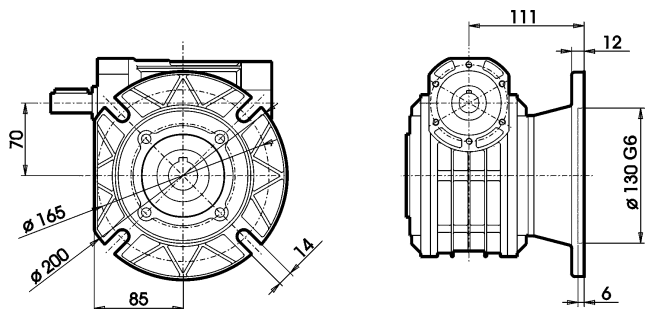
I 60 FBR



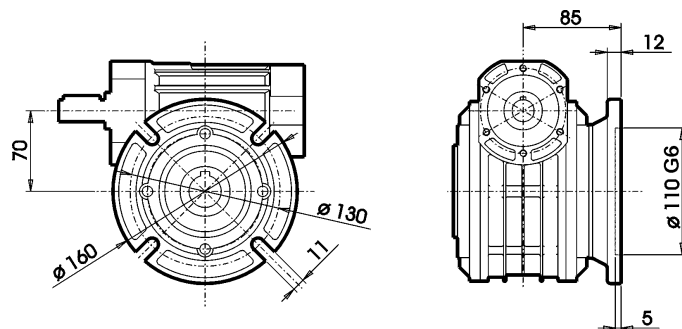
I 60 FBML



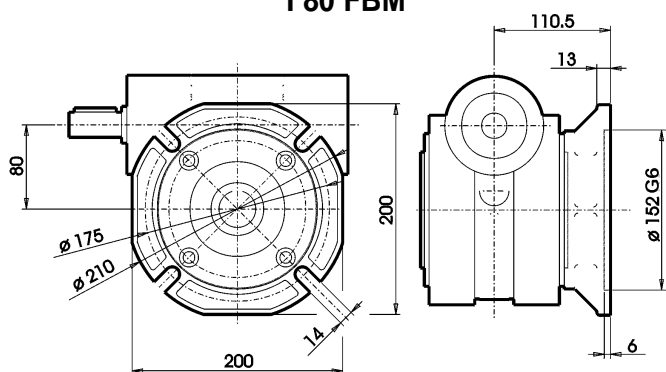
I 70 FBML



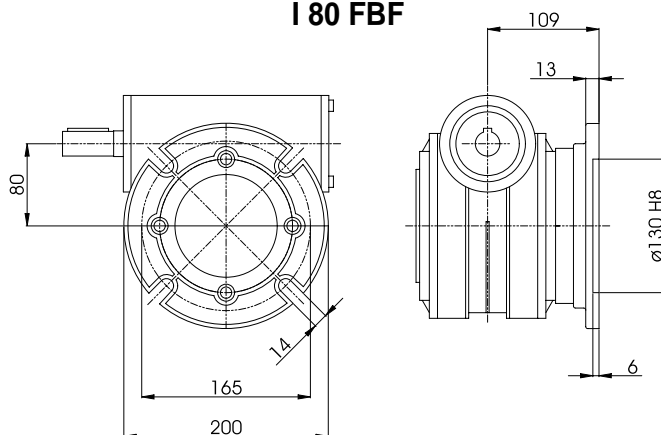
I 70 FBR-FBM



I 80 FBM



I 80 FBF

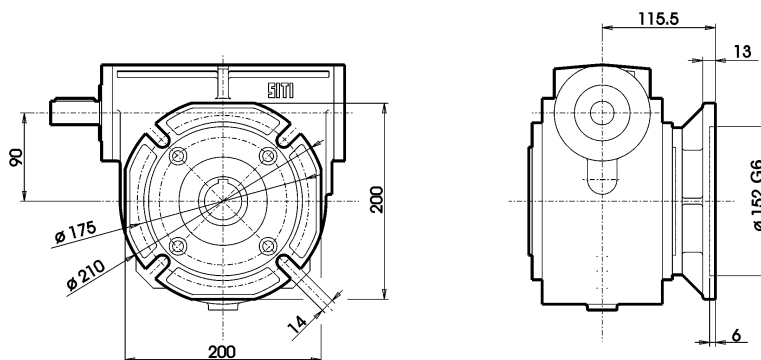


Non utilizzabili con PAM 28/250.

Cannot be used with PAM 28/250.

Bei PAM 28/250 nicht verwendbar.

I 90 FBM



I 110 FBM

