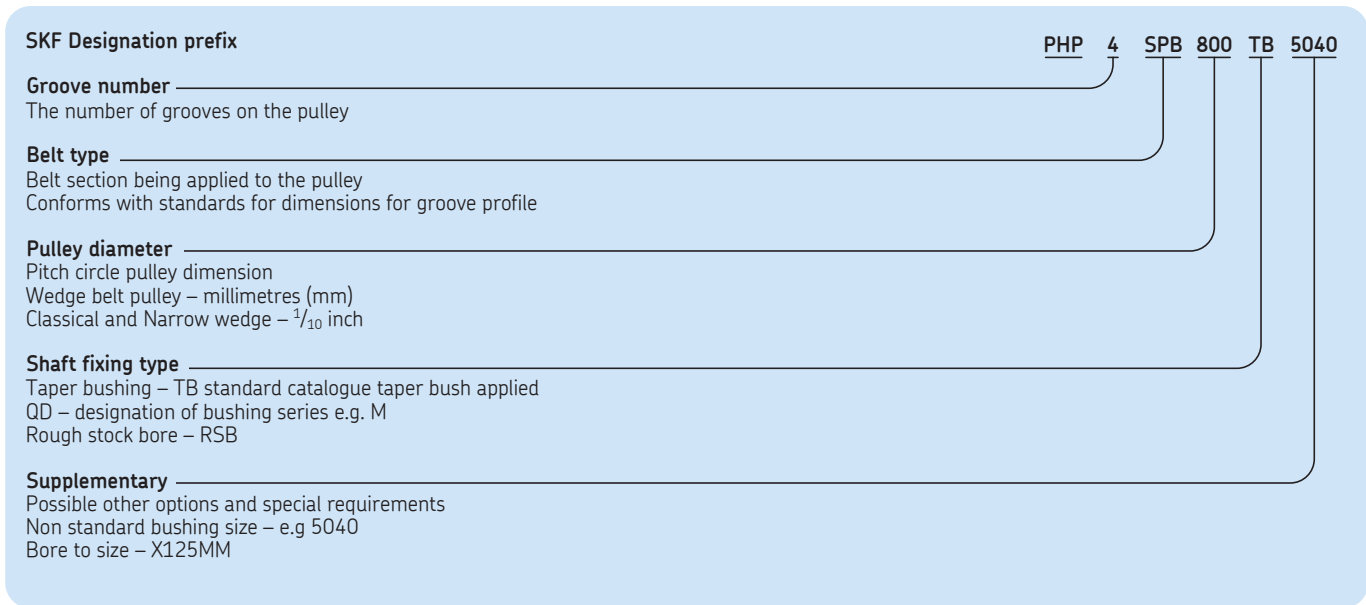


SKF Pulleys

SKF pulley range nomenclature has a defined prefix of PHP. All pulleys are made to be applied to standardized belts. SKF pulleys conform to conventional basic belt part number format – ISO, BS, or DIN.

Pulleys – V-belts

The pulley range designation from SKF has the following is an example to indicate set up.



Pulleys (PHP Product Group)

Classical and trapezoidal inch pitch timing pulleys (MXL, XL, L, H, XH, XXH) are manufactured according to ISO 5294.

Metric pitch series timing pulleys (T/AT) are manufactured according to DIN 7721.

All SKF V-belt pulleys are manufactured to the standards ISO 4183, DIN 2211, ANSI Narrow V-belt pulley IP-22 and the ANSI Classical V-belt pulley IP-20. They are interchangeable with type SPA, SPB, SPC and SPZ. The pulleys are made from cast iron G3000 (GG) to American standard “SAEJ431AVG96”.

Following are the requirements of G3000:

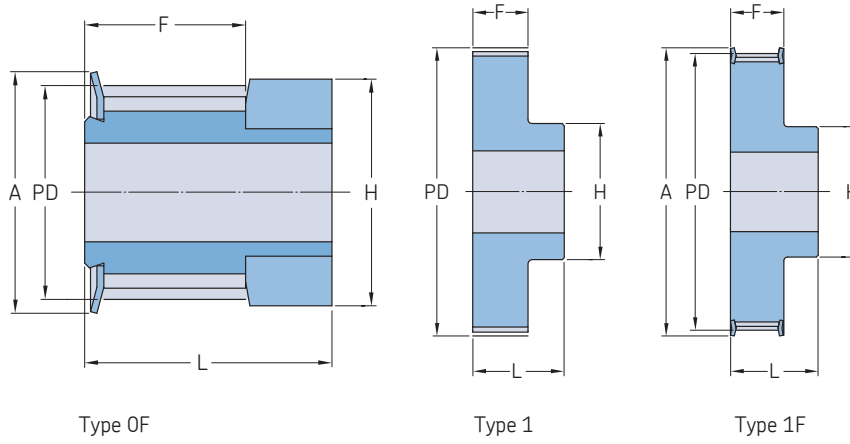
- Tensile strength = 207Mpa
- Hardness = HB 187-241
- Chemical composition C 3,1-3,4 %, Si 1,9-2,3 %, Mn 0,6-0,9 %, S = 0,15 %, P = 0,15%

After being machined, pulleys are phosphated and treated with a rustproof oil.

All pulleys are statically balanced to G6.3 according to ISO 1940. After balanced the pulleys are suitable for the linear speed of not more than 35 m/s. Two Plane (Dynamic) balancing can be provided on request. SKF can issue a certificate stating that all pulleys are dynamically balanced in case of any special customer request.

HiTD pulleys

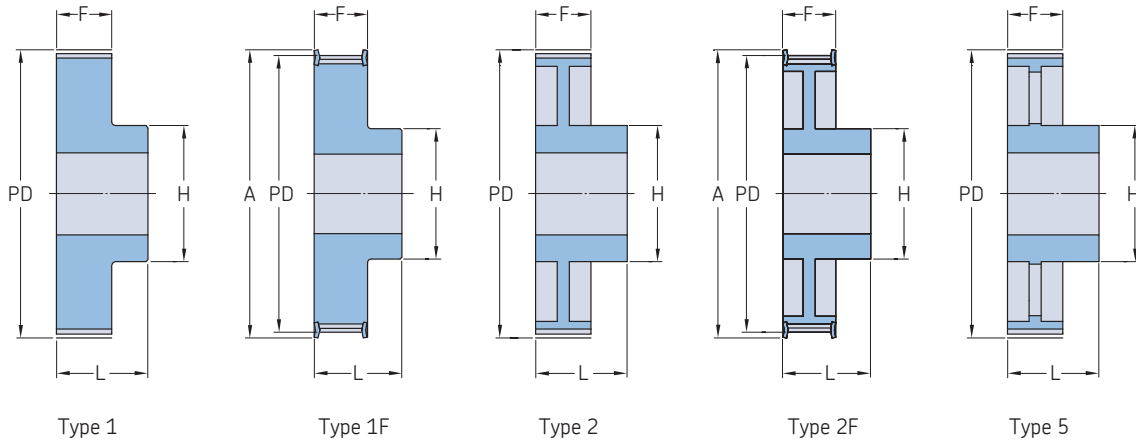
3 mm pitch pilot bore (RSB) | 5 mm pitch pilot bore (RSB)



Pitch	Belt width	Pitch diameter	Number of teeth	Pulley type	Dimensions									Mass	Designation	
					Outer diameter OD	A	B Min.	Max.	F	K	L	M	H			
mm		PD	-	-	mm									kg	-	
3	09	9,55	10	OF	8,79	13,0	-	4,0	10,2	-	17,5	-	13,0	0,04	PHP 10-3M-09RSB	
		11,46	12	OF	10,70	15,0	-	6,0	10,2	-	17,5	-	15,0	0,06	PHP 12-3M-09RSB	
		13,37	14	OF	12,61	16,0	-	7,0	10,2	-	17,5	-	16,0	0,07	PHP 14-3M-09RSB	
		14,32	15	OF	13,56	17,5	-	8,0	10,2	-	17,5	-	17,5	0,08	PHP 15-3M-09RSB	
		15,28	16	1F	14,52	18,0	4	6,0	12,8	-	20,6	-	10,0	0,07	PHP 16-3M-09RSB	
		17,19	18	1F	16,43	19,5	6	6,5	12,8	-	20,6	-	11,0	0,08	PHP 18-3M-09RSB	
		19,10	20	1F	18,34	23,0	6	8,0	12,8	-	20,6	-	13,0	0,01	PHP 20-3M-09RSB	
		20,05	21	1F	19,29	25,0	6	8,5	12,8	-	20,6	-	14,0	0,01	PHP 21-3M-09RSB	
		21,01	22	1F	20,25	25,0	6	8,5	12,8	-	20,6	-	14,0	0,01	PHP 22-3M-09RSB	
		22,92	24	1F	22,16	25,0	6	8,5	12,8	-	20,6	-	14,0	0,02	PHP 24-3M-09RSB	
		24,83	26	1F	24,07	28,0	6	10,5	12,8	-	20,6	-	16,0	0,02	PHP 26-3M-09RSB	
		26,74	28	1F	25,98	32,0	6	11,5	12,8	-	20,6	-	18,0	0,02	PHP 28-3M-09RSB	
	28,65	30	1F	27,89	32,0	6	12,5	12,8	-	20,6	-	20,0	0,03	PHP 30-3M-09RSB		
	30,56	32	1F	29,80	36,0	6	14,0	12,8	-	20,6	-	22,0	0,03	PHP 32-3M-09RSB		
	34,38	36	1F	33,62	38,0	6	17,0	13,4	-	22,2	-	26,0	0,05	PHP 36-3M-09RSB		
	38,20	40	1F	37,44	42,0	6	19,0	13,4	-	22,2	-	28,0	0,06	PHP 40-3M-09RSB		
	42,02	44	1F	41,26	48,0	6	22,5	13,4	-	22,2	-	33,0	0,07	PHP 44-3M-09RSB		
	45,84	48	1	45,08	-	8	22,5	13,4	-	22,2	-	33,0	0,07	PHP 48-3M-09RSB		
	57,30	60	1	56,54	-	8	22,5	13,4	-	22,2	-	33,0	0,11	PHP 60-3M-09RSB		
	68,75	72	1	67,99	-	8	22,5	13,4	-	22,2	-	33,0	0,14	PHP 72-3M-09RSB		
	3	15	9,55	10	OF	8,79	13,0	-	3,0	17,0	-	26,0	-	13,0	0,04	PHP 10-3M-15RSB
			11,46	12	OF	10,70	15,0	-	5,0	17,0	-	26,0	-	15,0	0,06	PHP 12-3M-15RSB
			13,37	14	OF	12,61	16,0	-	6,0	17,0	-	26,0	-	16,0	0,07	PHP 14-3M-15RSB
			14,32	15	OF	13,56	17,5	-	6,0	17,0	-	26,0	-	17,5	0,08	PHP 15-3M-15RSB
15,28			16	1F	14,52	18,0	4	7,0	19,5	-	26,0	-	10,0	0,07	PHP 16-3M-15RSB	
17,19			18	1F	16,43	19,5	6	8,0	19,5	-	26,0	-	11,0	0,08	PHP 18-3M-15RSB	
19,10			20	1F	18,34	23,0	6	9,0	19,5	-	26,0	-	13,0	0,01	PHP 20-3M-15RSB	
20,05			21	1F	19,29	25,0	6	9,0	19,5	-	26,0	-	14,0	0,01	PHP 21-3M-15RSB	
21,01			22	1F	20,25	25,0	6	9,0	19,5	-	26,0	-	14,0	0,01	PHP 22-3M-15RSB	
22,92			24	1F	22,16	25,0	6	9,0	19,5	-	26,0	-	14,0	0,02	PHP 24-3M-15RSB	
24,83			26	1F	24,07	28,0	6	11,0	19,5	-	26,0	-	16,0	0,02	PHP 26-3M-15RSB	
26,74			28	1F	25,98	32,0	6	12,0	19,5	-	26,0	-	18,0	0,02	PHP 28-3M-15RSB	
28,65	30	1F	27,89	32,0	6	14,0	19,5	-	26,0	-	20,0	0,03	PHP 30-3M-15RSB			
30,56	32	1F	29,80	36,0	6	15,0	19,5	-	26,0	-	22,0	0,03	PHP 32-3M-15RSB			
34,38	36	1F	33,62	38,0	6	16,0	20,0	-	30,0	-	26,0	0,05	PHP 36-3M-15RSB			
38,20	40	1F	37,44	42,0	6	18,0	20,0	-	30,0	-	28,0	0,06	PHP 40-3M-15RSB			
42,02	44	1F	41,26	48,0	6	20,0	20,0	-	30,0	-	33,0	0,07	PHP 44-3M-15RSB			
45,84	48	1	45,08	-	8	20,0	20,0	-	30,0	-	33,0	0,07	PHP 48-3M-15RSB			
57,30	60	1	56,54	-	8	20,0	20,0	-	30,0	-	33,0	0,11	PHP 60-3M-15RSB			
68,75	72	1	67,99	-	8	20,0	20,0	-	30,0	-	33,0	0,14	PHP 72-3M-15RSB			
5	09	19,10	12	1F	17,96	25,0	4	8,0	14,5	-	20,0	-	13,0	0,03	PHP 12-5M-09RSB	
		22,28	14	1F	21,14	25,0	6	9,0	14,5	-	20,0	-	13,0	0,03	PHP 14-5M-09RSB	
		23,87	15	1F	22,73	28,0	6	11,0	14,5	-	20,0	-	16,0	0,04	PHP 15-5M-09RSB	
		25,46	16	1F	24,32	28,0	6	11,0	14,5	-	20,0	-	16,0	0,05	PHP 16-5M-09RSB	
		28,65	18	1F	27,51	32,0	6	13,0	14,5	-	20,0	-	19,0	0,07	PHP 18-5M-09RSB	
		31,83	20	1F	30,69	36,0	6	14,0	14,5	-	22,5	-	23,0	0,09	PHP 20-5M-09RSB	
		33,42	21	1F	32,28	38,0	6	15,0	14,5	-	22,5	-	24,0	0,11	PHP 21-5M-09RSB	
		35,01	22	1F	33,87	38,0	6	16,0	14,5	-	22,5	-	25,5	0,12	PHP 22-5M-09RSB	
		38,20	24	1F	37,06	42,0	6	18,0	14,5	-	22,5	-	27,0	0,15	PHP 24-5M-09RSB	
		41,38	26	1F	40,24	44,0	6	20,0	14,5	-	22,5	-	30,0	0,17	PHP 26-5M-09RSB	
		44,56	28	1F	43,42	48,0	6	20,0	14,5	-	22,5	-	30,5	0,20	PHP 28-5M-09RSB	
		47,75	30	1F	46,60	51,0	6	24,0	14,5	-	22,5	-	35,0	0,24	PHP 30-5M-09RSB	
50,93	32	1F	49,79	54,0	8	26,0	14,5	-	22,5	-	38,0	0,27	PHP 32-5M-09RSB			
57,30	36	1F	56,16	60,0	8	26,0	14,5	-	22,5	-	38,0	0,32	PHP 36-5M-09RSB			

HiTD pulleys

5 mm pitch pilot bore (RSB) | 8 mm pitch pilot bore (RSB)



Pitch	Belt width	Pitch diameter	Number of teeth	Pulley type	Dimensions									Mass	Designation	
					Outer diameter OD	A	B Min.	Max.	F	K	L	M	H			
mm		PD	-	-	mm									kg	-	
5	09	63,66	40	1F	62,52	71,0	8	26,0	14,5	-	22,5	-	38,0	0,40	PHP 40-5M-09RSB	
		70,03	44	2	68,89	-	8	26,0	14,5	-	25,5	-	38,0	0,17	PHP 44-5M-09RSB	
		76,39	48	2	75,25	-	8	26,0	14,5	-	25,5	-	38,0	0,18	PHP 48-5M-09RSB	
		95,49	60	2	94,35	-	8	30,0	14,5	-	25,5	-	45,0	0,23	PHP 60-5M-09RSB	
		114,59	72	2	113,45	-	8	30,0	14,5	-	25,5	-	45,0	0,27	PHP 72-5M-09RSB	
		15	19,10	12	1F	17,96	25,0	4	8,0	20,5	-	26,0	-	13,0	0,03	PHP 12-5M-15RSB
	22,28		14	1F	21,14	25,0	6	9,0	20,5	-	26,0	-	13,0	0,05	PHP 14-5M-15RSB	
	23,87		15	1F	22,73	28,0	6	11,0	20,5	-	26,0	-	16,0	0,06	PHP 15-5M-15RSB	
	25,46		16	1F	24,32	28,0	6	11,0	20,5	-	26,0	-	16,0	0,06	PHP 16-5M-15RSB	
	28,65		18	1F	27,51	32,0	6	13,0	20,5	-	26,0	-	19,0	0,09	PHP 18-5M-15RSB	
	31,83		20	1F	30,69	36,0	6	14,0	20,5	-	26,0	-	23,0	0,11	PHP 20-5M-15RSB	
	5	15	33,42	21	1F	32,28	38,0	6	15,0	20,5	-	26,0	-	24,0	0,13	PHP 21-5M-15RSB
35,01			22	1F	33,87	38,0	6	16,0	20,5	-	26,0	-	25,5	0,14	PHP 22-5M-15RSB	
38,20			24	1F	37,06	42,0	6	18,0	20,5	-	28,0	-	27,0	0,18	PHP 24-5M-15RSB	
41,38			26	1F	40,24	44,0	6	20,0	20,5	-	28,0	-	30,0	0,22	PHP 26-5M-15RSB	
44,56			28	1F	43,42	48,0	6	20,0	20,5	-	28,0	-	30,5	0,25	PHP 28-5M-15RSB	
47,75			30	1F	46,60	51,0	6	24,0	20,5	-	28,0	-	35,0	0,30	PHP 30-5M-15RSB	
25		50,93	32	1F	49,79	54,0	8	26,0	20,5	-	28,0	-	38,0	0,35	PHP 32-5M-15RSB	
		57,30	36	1F	56,16	60,0	8	26,0	20,5	-	28,0	-	38,0	0,52	PHP 36-5M-15RSB	
		63,66	40	1F	62,52	71,0	8	26,0	20,5	-	28,0	-	38,0	0,43	PHP 40-5M-15RSB	
		70,03	44	2	68,89	-	8	26,0	20,5	-	30,0	-	38,0	0,23	PHP 44-5M-15RSB	
		76,39	48	2	75,25	-	8	26,0	20,5	-	30,0	-	38,0	0,19	PHP 48-5M-15RSB	
		95,49	60	2	94,35	-	8	34,0	20,5	-	30,0	-	50,0	0,31	PHP 60-5M-15RSB	
5	25	114,59	72	2	113,45	-	8	34,0	20,5	-	30,0	-	50,0	0,38	PHP 72-5M-15RSB	
		19,10	12	1F	17,96	25,0	4	8,0	30,5	-	36,0	5,5	13,0	0,05	PHP 12-5M-25RSB	
		22,28	14	1F	21,14	25,0	6	9,0	30,5	-	36,0	5,5	13,0	0,07	PHP 14-5M-25RSB	
		23,87	15	1F	22,73	28,0	6	11,0	30,5	-	36,0	5,5	16,0	0,08	PHP 15-5M-25RSB	
		25,46	16	1F	24,32	28,0	6	11,0	30,5	-	36,0	5,5	16,0	0,10	PHP 16-5M-25RSB	
		28,65	18	1F	27,51	32,0	6	13,0	30,5	-	36,0	5,5	19,0	0,12	PHP 18-5M-25RSB	
	20	31,83	20	1F	30,69	36,0	6	14,0	30,5	-	36,0	5,5	23,0	0,16	PHP 20-5M-25RSB	
		33,42	21	1F	32,28	38,0	6	15,0	30,5	-	38,0	7,5	24,0	0,19	PHP 21-5M-25RSB	
		35,01	22	1F	33,87	38,0	6	16,0	30,5	-	38,0	7,5	25,5	0,21	PHP 22-5M-25RSB	
		38,20	24	1F	37,06	42,0	6	18,0	30,5	-	38,0	7,5	27,0	0,25	PHP 24-5M-25RSB	
		41,38	26	1F	40,24	44,0	6	20,0	30,5	-	38,0	7,5	30,0	0,30	PHP 26-5M-25RSB	
		44,56	28	1F	43,42	48,0	6	20,0	30,5	-	38,0	7,5	30,5	0,35	PHP 28-5M-25RSB	
5	20	47,75	30	1F	46,60	51,0	6	24,0	30,5	-	38,0	7,5	35,0	0,42	PHP 30-5M-25RSB	
		50,93	32	1F	49,79	54,0	8	26,0	30,5	-	38,0	7,5	38,0	0,48	PHP 32-5M-25RSB	
		57,30	36	1F	56,16	60,0	8	26,0	30,5	-	38,0	7,5	38,0	0,59	PHP 36-5M-25RSB	
		63,66	40	1F	62,52	71,0	8	26,0	30,5	-	38,0	7,5	38,0	0,74	PHP 40-5M-25RSB	
		70,03	44	2	68,89	-	8	26,0	30,5	-	40,0	9,5	38,0	0,32	PHP 44-5M-25RSB	
		76,39	48	2	72,25	-	8	26,0	30,5	-	40,0	9,5	38,0	0,28	PHP 48-5M-25RSB	
	8	20	95,49	60	2	94,35	-	8	34,0	30,5	-	40,0	9,5	50,0	0,44	PHP 60-5M-25RSB
			114,59	72	2	113,45	-	8	34,0	30,5	-	40,0	9,5	50,0	0,53	PHP 72-5M-25RSB
			127,32	80	1	126,18	-	8	62,0	30,5	-	40,0	-	92,0	0,60	PHP 80-5M-25RSB
			50,93	20	1F	49,56	60,0	12	25,0	28,0	-	38,0	-	38,0	0,43	PHP 20-8M-20RSB
			53,47	21	1F	52,10	62,0	12	27,0	28,0	-	38,0	-	40,0	0,49	PHP 21-8M-20RSB
			56,02	22	1F	54,65	65,0	12	29,0	28,0	-	38,0	-	43,0	0,54	PHP 22-8M-20RSB
5	25	58,57	23	1F	57,20	65,0	12	29,0	28,0	-	38,0	-	45,0	0,60	PHP 23-8M-20RSB	
		61,12	24	1F	59,75	70,0	12	30,0	28,0	-	38,0	-	45,0	0,65	PHP 24-8M-20RSB	
		63,66	25	1F	62,28	71,0	12	31,0	28,0	-	38,0	-	45,0	0,73	PHP 25-8M-20RSB	
		66,21	26	1F	64,84	75,0	12	32,0	28,0	-	38,0	-	50,0	0,80	PHP 26-8M-20RSB	
		68,75	27	1F	67,39	75,0	12	33,0	28,0	-	38,0	-	50,0	0,84	PHP 27-8M-20RSB	
		71,30	28	1F	70,08	80,0	15	34,0	28,0	-	38,0	-	50,0	0,87	PHP 28-8M-20RSB	
	8	20	73,85	29	1F	72,62	85,0	15	35,0	28,0	-	38,0	-	55,0	0,95	PHP 29-8M-20RSB

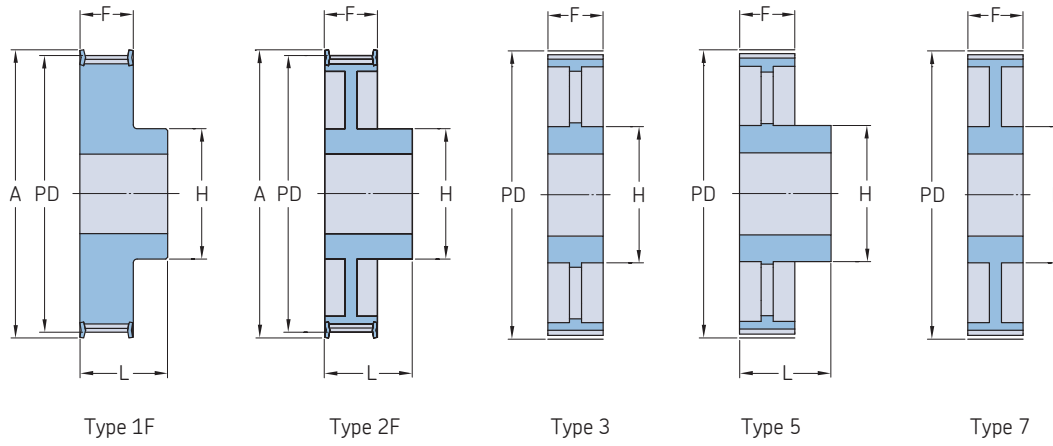
HiTD pulleys

8 mm pitch pilot bore (RSB)

Pitch	Belt width	Pitch diameter	Number of teeth	Pulley type	Dimensions									Mass	Designation		
					Outer diameter OD	A	B Min.	Max.	F	K	L	M	H				
mm		PD	-	-	mm									kg	-		
8	20	76,39	30	1F	75,13	85,0	15	36,0	28,0	-	38,0	-	55,0	1,02	PHP 30-8M-20RSB		
		78,94	31	1F	77,65	87,0	15	38,0	28,0	-	38,0	-	55,0	1,11	PHP 31-8M-20RSB		
		81,49	32	1F	80,16	90,0	15	40,0	28,0	-	38,0	-	60,0	1,20	PHP 32-8M-20RSB		
		84,03	33	1F	82,68	90,0	15	42,0	28,0	-	38,0	-	60,0	1,30	PHP 33-8M-20RSB		
		86,58	34	1F	85,22	95,0	15	44,0	28,0	-	38,0	-	70,0	1,40	PHP 34-8M-20RSB		
		89,13	35	1F	87,76	95,0	15	45,0	28,0	-	38,0	-	70,0	1,48	PHP 35-8M-20RSB		
		91,67	36	1F	90,30	100,0	15	46,0	28,0	-	38,0	-	70,0	1,55	PHP 36-8M-20RSB		
		96,77	38	1F	95,39	105,0	15	50,0	28,0	-	38,0	-	75,0	1,65	PHP 38-8M-20RSB		
		101,86	40	1F	100,49	110,0	15	50,0	28,0	-	38,0	-	75,0	1,74	PHP 40-8M-20RSB		
		106,95	42	1F	105,58	111,0	15	50,0	28,0	-	38,0	-	75,0	1,92	PHP 42-8M-20RSB		
		112,05	44	1F	110,67	121,0	15	50,0	28,0	-	38,0	-	75,0	2,10	PHP 44-8M-20RSB		
		114,59	45	1F	113,22	121,0	15	50,0	28,0	-	38,0	-	75,0	2,19	PHP 45-8M-20RSB		
		122,23	48	1F	120,86	131,0	15	54,0	28,0	-	38,0	-	75,0	2,44	PHP 48-8M-20RSB		
		127,32	50	1F	125,95	131,0	15	54,0	28,0	-	38,0	-	75,0	2,48	PHP 50-8M-20RSB		
		132,42	52	1F	131,05	140,0	15	54,0	28,0	-	38,0	-	80,0	2,52	PHP 52-8M-20RSB		
		142,60	56	2F	141,23	151,0	15	54,0	28,0	-	38,0	-	80,0	2,60	PHP 56-8M-20RSB		
		162,97	64	2F	161,60	172,0	15	54,0	28,0	-	38,0	-	80,0	2,90	PHP 64-8M-20RSB		
		183,35	72	2F	181,97	192,0	15	54,0	28,0	-	38,0	-	80,0	3,10	PHP 72-8M-20RSB		
		203,72	80	2	202,35	-	15	54,0	28,0	-	38,0	-	90,0	3,80	PHP 80-8M-20RSB		
		229,18	90	2	227,81	-	15	54,0	28,0	-	38,0	-	90,0	4,20	PHP 90-8M-20RSB		
		285,21	112	5	283,83	-	18	54,0	28,0	-	38,0	-	90,0	5,20	PHP 112-8M-20RSB		
		366,69	144	5	365,32	-	20	54,0	28,0	-	38,0	-	90,0	7,50	PHP 144-8M-20RSB		
		427,81	168	5	426,44	-	20	60,0	28,0	-	38,0	-	100,0	10,00	PHP 168-8M-20RSB		
		488,92	192	5	487,55	-	20	60,0	28,0	-	38,0	-	100,0	14,40	PHP 192-8M-20RSB		
		8	30	50,93	20	1F	49,56	60,0	12	25,0	38,0	-	48,0	-	38,0	0,54	PHP 20-8M-30RSB
				53,47	21	1F	52,10	62,0	12	27,0	38,0	-	48,0	-	40,0	0,62	PHP 21-8M-30RSB
				56,02	22	1F	54,65	65,0	12	29,0	38,0	-	48,0	-	43,0	0,69	PHP 22-8M-30RSB
				57,57	23	1F	57,20	65,0	12	30,0	38,0	-	48,0	-	45,0	0,77	PHP 23-8M-30RSB
				61,12	24	1F	59,75	70,0	12	30,0	38,0	-	48,0	-	45,0	0,84	PHP 24-8M-30RSB
				63,66	25	1F	62,28	71,0	12	31,0	38,0	-	48,0	-	50,0	0,92	PHP 25-8M-30RSB
				66,21	26	1F	64,84	75,0	12	32,0	38,0	-	48,0	-	50,0	1,00	PHP 26-8M-30RSB
				68,75	27	1F	67,39	75,0	12	33,0	38,0	-	48,0	-	50,0	1,06	PHP 27-8M-30RSB
				71,30	28	1F	70,08	80,0	15	34,0	38,0	-	48,0	-	50,0	1,12	PHP 28-8M-30RSB
				76,39	30	1F	75,13	85,0	15	36,0	38,0	-	48,0	-	55,0	1,32	PHP 30-8M-30RSB
				78,94	31	1F	77,65	87,0	15	38,0	38,0	-	48,0	-	55,0	1,42	PHP 31-8M-30RSB
				81,49	32	1F	80,16	90,0	15	40,0	38,0	-	48,0	-	60,0	1,53	PHP 32-8M-30RSB
				84,03	33	1F	82,68	90,0	15	42,0	38,0	-	48,0	-	60,0	1,64	PHP 33-8M-30RSB
				86,58	34	1F	85,22	95,0	15	44,0	38,0	-	48,0	-	70,0	1,80	PHP 34-8M-30RSB
89,13	35			1F	87,76	95,0	15	45,0	38,0	-	48,0	-	70,0	1,90	PHP 35-8M-30RSB		
91,67	36			1F	90,30	100,0	15	46,0	38,0	-	48,0	-	70,0	1,99	PHP 36-8M-30RSB		
96,77	38			1F	95,39	105,0	15	50,0	38,0	-	48,0	-	75,0	2,27	PHP 38-8M-30RSB		
101,86	40			1F	100,49	110,0	15	50,0	38,0	-	48,0	-	75,0	2,40	PHP 40-8M-30RSB		
106,95	42			1F	105,58	111,0	15	50,0	38,0	-	48,0	-	75,0	2,60	PHP 42-8M-30RSB		
112,05	44			1F	110,67	121,0	15	50,0	38,0	-	48,0	-	75,0	2,80	PHP 44-8M-30RSB		
114,59	45			1F	113,22	121,0	15	50,0	38,0	-	48,0	-	75,0	2,90	PHP 45-8M-30RSB		
122,23	48			1F	120,86	131,0	15	50,0	38,0	-	48,0	-	75,0	3,20	PHP 48-8M-30RSB		
127,32	50			1F	125,95	131,0	15	50,0	38,0	-	48,0	-	75,0	3,30	PHP 50-8M-30RSB		
132,42	52			1F	131,05	140,0	15	60,0	38,0	-	48,0	-	90,0	3,40	PHP 52-8M-30RSB		
142,60	56			2F	141,23	151,0	15	60,0	38,0	-	48,0	-	90,0	3,60	PHP 56-8M-30RSB		
152,79	60			2F	151,42	168,0	15	60,0	38,0	-	48,0	-	90,0	3,95	PHP 60-8M-30RSB		
162,97	64			2F	161,60	172,0	15	60,0	38,0	-	48,0	-	90,0	4,30	PHP 64-8M-30RSB		
183,35	72			2F	181,97	192,0	15	63,0	38,0	-	48,0	-	95,0	4,80	PHP 72-8M-30RSB		
203,72	80			2	202,35	-	15	60,0	38,0	-	48,0	-	100,0	5,10	PHP 80-8M-30RSB		
229,18	90			2	227,81	-	15	60,0	38,0	-	48,0	-	100,0	5,70	PHP 90-8M-30RSB		
285,21	112			5	283,83	-	18	60,0	38,0	-	48,0	-	100,0	6,80	PHP 112-8M-30RSB		
366,69	144			5	365,32	-	20	60,0	38,0	-	48,0	-	100,0	9,30	PHP 144-8M-30RSB		
427,81	168			5	426,44	-	20	60,0	38,0	-	48,0	-	100,0	11,40	PHP 168-8M-30RSB		
488,92	192			5	487,55	-	20	60,0	38,0	-	48,0	-	100,0	16,00	PHP 192-8M-30RSB		
8	50			56,02	22	1F	54,65	65,0	12	29,0	60,0	-	70,0	-	43,0	1,00	PHP 22-8M-50RSB
				58,57	23	1F	57,20	65,0	12	30,0	60,0	-	70,0	-	45,0	1,12	PHP 23-8M-50RSB
				61,12	24	1F	59,75	70,0	12	30,0	60,0	-	70,0	-	45,0	1,23	PHP 24-8M-50RSB
				63,66	25	1F	62,28	70,0	12	34,0	60,0	-	70,0	-	50,0	1,37	PHP 25-8M-50RSB
		66,21	26	1F	64,84	75,0	12	34,0	60,0	-	70,0	-	50,0	1,50	PHP 26-8M-50RSB		
		68,75	27	1F	67,39	75,0	15	34,0	60,0	-	70,0	-	50,0	1,59	PHP 27-8M-50RSB		
		71,30	28	1F	70,08	80,0	15	34,0	60,0	-	70,0	-	50,0	1,67	PHP 28-8M-50RSB		
		76,39	30	1F	75,13	85,0	15	38,0	60,0	-	70,0	-	55,0	1,97	PHP 30-8M-50RSB		
		78,94	31	1F	77,65	87,0	15	38,0	60,0	-	70,0	-	55,0	2,12	PHP 31-8M-50RSB		
		81,49	32	1F	80,16	90,0	15	40,0	60,0	-	70,0	-	60,0	2,27	PHP 32-8M-50RSB		
		84,03	33	1F	82,68	90,0	15	42,0	60,0	-	70,0	-	60,0	2,42	PHP 33-8M-50RSB		
		86,58	34	1F	85,22	95,0	15	44,0	60,0	-	70,0	-	70,0	2,69	PHP 34-8M-50RSB		
		89,13	35	1F	87,76	95,0	15	45,0	60,0	-	70,0	-	70,0	2,83	PHP 35-8M-50RSB		
		91,67	36	1F	90,30	100,0	15	46,0	60,0	-	70,0	-	70,0	2,97	PHP 36-8M-50RSB		
		96,77	38	1F	95,39	105,0	15	50,0	60,0	-	70,0	-	75,0	3,23	PHP 38-8M-50RSB		

HiTD pulleys

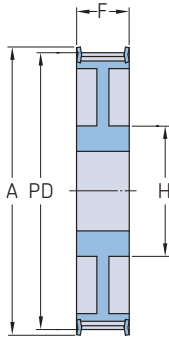
8 mm pitch pilot bore (RSB) | 14 mm pitch pilot bore (RSB)



Pitch	Belt width	Pitch diameter PD	Number of teeth	Pulley type	Dimensions									Mass	Designation	
					Outer diameter OD	A	B Min.	Max.	F	K	L	M	H			
mm					mm									kg		
8	50	101,86	40	1F	100,49	110,0	18	50,0	60,0	-	70,0	-	75,0	3,50	PHP 40-8M-50RSB	
		104,41	42	1F	103,03	111,0	18	50,0	60,0	-	70,0	-	75,0	3,70	PHP 42-8M-50RSB	
		112,05	44	1F	110,67	121,0	18	50,0	60,0	-	70,0	-	75,0	3,90	PHP 44-8M-50RSB	
		114,59	45	1F	113,22	121,0	18	50,0	60,0	-	70,0	-	75,0	4,00	PHP 45-8M-50RSB	
		122,23	48	1F	120,86	131,0	18	54,0	60,0	-	70,0	-	80,0	4,30	PHP 48-8M-50RSB	
		124,78	50	1F	123,41	131,0	18	54,0	60,0	-	70,0	-	80,0	4,48	PHP 50-8M-50RSB	
		127,32	52	1F	125,95	140,0	18	60,0	60,0	-	70,0	-	90,0	4,65	PHP 52-8M-50RSB	
		142,60	56	7F	141,23	151,0	18	60,0	60,0	-	60,0	-	90,0	5,00	PHP 56-8M-50RSB	
		152,79	60	7F	151,42	158,0	18	60,0	60,0	-	60,0	-	90,0	5,30	PHP 60-8M-50RSB	
		162,97	64	7F	161,60	171,0	18	60,0	60,0	-	60,0	-	100,0	5,60	PHP 64-8M-50RSB	
		183,35	72	7F	181,97	192,0	18	63,0	60,0	-	60,0	-	100,0	6,80	PHP 72-8M-50RSB	
		203,72	80	7	202,35	-	18	60,0	60,0	-	60,0	-	110,0	6,90	PHP 80-8M-50RSB	
	229,18	90	7	227,81	-	18	60,0	60,0	-	60,0	-	110,0	8,60	PHP 90-8M-50RSB		
	285,21	112	3	283,83	-	20	60,0	60,0	-	60,0	-	110,0	9,60	PHP 112-8M-50RSB		
	366,69	144	3	365,32	-	20	60,0	60,0	-	60,0	-	110,0	13,80	PHP 144-8M-50RSB		
	427,81	168	3	426,44	-	20	60,0	60,0	-	60,0	-	120,0	16,00	PHP 168-8M-50RSB		
	488,92	192	3	487,55	-	20	60,0	60,0	-	60,0	-	130,0	22,40	PHP 192-8M-50RSB		
	8	85	56,02	22	1F	54,65	65,0	12	29,0	95,0	-	105,0	-	43,0	1,55	PHP 22-8M-85RSB
			58,57	23	1F	57,20	65,0	12	30,0	95,0	-	105,0	-	45,0	1,73	PHP 23-8M-85RSB
			61,12	24	1F	59,75	70,0	12	30,0	95,0	-	105,0	-	45,0	1,90	PHP 24-8M-85RSB
			63,66	25	1F	62,28	70,0	12	34,0	95,0	-	105,0	-	50,0	2,08	PHP 25-8M-85RSB
			66,21	26	1F	64,84	75,0	12	34,0	95,0	-	105,0	-	50,0	2,25	PHP 26-8M-85RSB
			68,75	27	1F	67,39	75,0	12	34,0	95,0	-	105,0	-	50,0	2,40	PHP 27-8M-85RSB
			71,30	28	1F	70,08	80,0	15	34,0	95,0	-	105,0	-	50,0	2,55	PHP 28-8M-85RSB
76,39			30	1F	75,13	85,0	15	35,0	95,0	-	105,0	-	55,0	3,00	PHP 30-8M-85RSB	
78,94			31	1F	77,65	87,0	15	38,0	95,0	-	105,0	-	55,0	3,23	PHP 31-8M-85RSB	
81,49			32	1F	80,16	90,0	15	42,0	95,0	-	105,0	-	60,0	3,57	PHP 32-8M-85RSB	
84,03			33	1F	82,68	90,0	15	44,0	95,0	-	105,0	-	60,0	3,75	PHP 33-8M-85RSB	
86,58			34	1F	85,22	95,0	15	44,0	95,0	-	105,0	-	70,0	4,00	PHP 34-8M-85RSB	
89,13		35	1F	87,76	95,0	15	44,0	95,0	-	105,0	-	70,0	4,25	PHP 35-8M-85RSB		
91,67		36	1F	90,30	100,0	15	44,0	95,0	-	105,0	-	70,0	4,50	PHP 36-8M-85RSB		
96,77		38	1F	95,39	106,0	15	50,0	95,0	-	105,0	-	75,0	4,90	PHP 38-8M-85RSB		
101,86		40	1F	100,49	110,0	18	50,0	95,0	-	105,0	-	75,0	5,20	PHP 40-8M-85RSB		
106,95		42	1F	105,58	110,0	18	50,0	95,0	-	105,0	-	75,0	6,08	PHP 42-8M-85RSB		
112,05		44	1F	110,67	121,0	18	50,0	95,0	-	105,0	-	75,0	6,60	PHP 44-8M-85RSB		
114,59		45	1F	113,22	121,0	18	50,0	95,0	-	105,0	-	75,0	6,85	PHP 45-8M-85RSB		
122,23		48	1F	120,86	131,0	18	54,0	95,0	-	105,0	-	80,0	7,60	PHP 48-8M-85RSB		
127,32		50	1F	125,95	131,0	20	54,0	95,0	-	105,0	-	80,0	8,15	PHP 50-8M-85RSB		
132,42		52	1F	131,05	140,0	20	54,0	95,0	-	105,0	-	80,0	8,70	PHP 52-8M-85RSB		
142,60		56	1F	141,23	151,0	20	54,0	95,0	-	105,0	-	80,0	9,80	PHP 56-8M-85RSB		
152,79		60	7F	151,42	158,0	20	66,0	95,0	-	95,0	-	100,0	10,10	PHP 60-8M-85RSB		
162,97	64	7F	161,60	171,0	20	66,0	95,0	-	95,0	-	100,0	10,40	PHP 64-8M-85RSB			
183,35	72	7F	181,97	192,0	20	66,0	95,0	-	95,0	-	110,0	11,40	PHP 72-8M-85RSB			
203,72	80	3	202,35	-	20	66,0	95,0	-	95,0	-	110,0	11,10	PHP 80-8M-85RSB			
229,18	90	3	227,81	-	20	66,0	95,0	-	95,0	-	110,0	13,20	PHP 90-8M-85RSB			
285,21	112	3	283,83	-	24	66,0	95,0	-	95,0	-	110,0	16,30	PHP 112-8M-85RSB			
366,69	144	3	365,32	-	24	72,0	95,0	-	95,0	-	120,0	21,50	PHP 144-8M-85RSB			
427,81	168	3	426,44	-	24	72,0	95,0	-	95,0	-	120,0	26,10	PHP 168-8M-85RSB			
488,92	192	3	487,55	-	24	78,0	95,0	-	95,0	-	130,0	30,60	PHP 192-8M-85RSB			
14	40	124,78	28	1F	122,12	127,0	24	67,0	54,0	-	69,0	-	100,0	4,73	PHP 28-14M-40RSB	
		129,23	29	1F	126,57	138,0	24	67,0	54,0	-	69,0	-	100,0	5,09	PHP 29-14M-40RSB	
		133,69	30	1F	130,99	138,0	24	67,0	54,0	-	69,0	-	100,0	5,45	PHP 30-14M-40RSB	
		142,60	32	1F	139,88	154,0	24	67,0	54,0	-	69,0	-	100,0	6,17	PHP 32-14M-40RSB	

HiTD pulleys

14 mm pitch pilot bore (RSB)

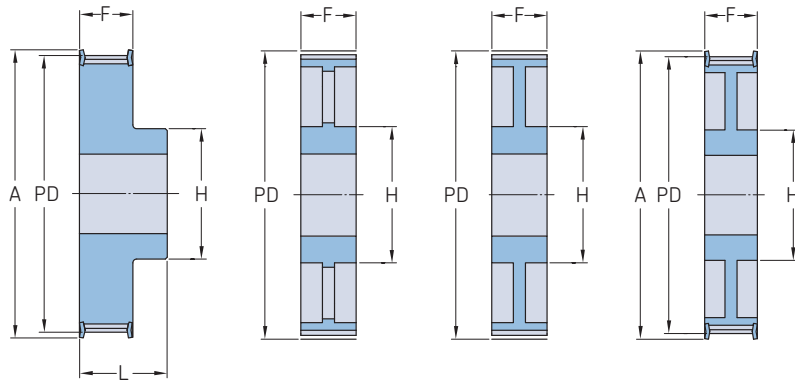


Type 7F

Pitch	Belt width	Pitch diameter PD	Number of teeth	Pulley type	Dimensions									Mass	Designation	
					Outer diameter OD	A	B Min.	Max.	F	K	L	M	H			
mm			-	-	mm									kg	-	
14	40	151,52	34	1F	148,79	160,0	24	67,0	54,0	-	69,0	-	100,0	6,88	PHP 34-14M-40RSB	
		160,43	36	1F	157,68	168,0	24	67,0	54,0	-	69,0	-	100,0	7,60	PHP 36-14M-40RSB	
		169,34	38	1F	166,60	183,0	24	80,0	54,0	-	69,0	-	120,0	8,28	PHP 38-14M-40RSB	
		178,25	40	1F	175,49	188,0	24	80,0	54,0	-	69,0	-	120,0	9,26	PHP 40-14M-40RSB	
		196,08	44	1F	193,28	211,0	24	80,0	54,0	-	69,0	-	120,0	10,32	PHP 44-14M-40RSB	
		213,90	48	2F	211,11	226,0	24	82,0	54,0	-	69,0	-	135,0	11,50	PHP 48-14M-40RSB	
		249,55	56	2F	246,76	256,0	28	82,0	54,0	-	69,0	-	135,0	13,05	PHP 56-14M-40RSB	
		285,21	64	2F	282,41	296,0	28	82,0	54,0	-	69,0	-	135,0	14,40	PHP 64-14M-40RSB	
		320,86	72	5	318,06	-	28	82,0	54,0	-	69,0	-	135,0	16,90	PHP 72-14M-40RSB	
		356,51	80	5	353,71	-	28	82,0	54,0	-	69,0	-	135,0	18,50	PHP 80-14M-40RSB	
	401,07	90	5	398,28	-	28	82,0	54,0	-	69,0	-	135,0	20,00	PHP 90-14M-40RSB		
	499,11	112	5	496,32	-	28	82,0	54,0	-	69,0	-	135,0	26,70	PHP 112-14M-40RSB		
	641,71	144	5	638,92	-	28	82,0	54,0	-	69,0	-	135,0	35,00	PHP 144-14M-40RSB		
	748,66	168	5	745,87	-	28	82,0	54,0	-	69,0	-	135,0	44,20	PHP 168-14M-40RSB		
	855,92	192	5	852,82	-	28	82,0	54,0	-	69,0	-	135,0	52,20	PHP 192-14M-40RSB		
	962,57	216	5	959,76	-	28	90,0	54,0	-	69,0	-	150,0	60,00	PHP 216-14M-40RSB		
	14	55	124,78	28	1F	122,12	127,0	24	67,0	70,0	-	85,0	-	100,0	5,60	PHP 28-14M-55RSB
			129,23	29	1F	126,57	138,0	24	67,0	70,0	-	85,0	-	100,0	6,10	PHP 29-14M-55RSB
			133,69	30	1F	130,99	138,0	24	67,0	70,0	-	85,0	-	100,0	6,60	PHP 30-14M-55RSB
			142,60	32	1F	139,88	154,0	24	67,0	70,0	-	85,0	-	100,0	7,60	PHP 32-14M-55RSB
151,52			34	1F	148,79	160,0	24	67,0	70,0	-	85,0	-	100,0	8,60	PHP 34-14M-55RSB	
160,43			36	1F	157,68	168,0	24	67,0	70,0	-	85,0	-	100,0	9,60	PHP 36-14M-55RSB	
169,34			38	1F	166,60	183,0	24	80,0	70,0	-	85,0	-	120,0	10,80	PHP 38-14M-55RSB	
178,25			40	1F	175,49	188,0	24	80,0	70,0	-	85,0	-	120,0	11,20	PHP 40-14M-55RSB	
196,08			44	1F	193,28	211,0	24	80,0	70,0	-	85,0	-	120,0	12,50	PHP 44-14M-55RSB	
213,90			48	7F	211,11	226,0	24	82,0	70,0	-	70,0	-	135,0	13,70	PHP 48-14M-55RSB	
249,55		56	7F	246,76	256,0	28	82,0	70,0	-	70,0	-	135,0	14,50	PHP 56-14M-55RSB		
285,21		64	7F	282,41	296,0	28	82,0	70,0	-	70,0	-	135,0	15,60	PHP 64-14M-55RSB		
320,86		72	3	318,06	-	28	82,0	70,0	-	70,0	-	135,0	18,50	PHP 72-14M-55RSB		
356,51		80	3	353,71	-	28	82,0	70,0	-	70,0	-	135,0	20,00	PHP 80-14M-55RSB		
401,07		90	3	398,28	-	28	82,0	70,0	-	70,0	-	135,0	22,60	PHP 90-14M-55RSB		
499,11		112	3	496,32	-	28	82,0	70,0	-	70,0	-	135,0	29,50	PHP 112-14M-55RSB		
641,71		144	3	638,92	-	28	82,0	70,0	-	70,0	-	135,0	39,00	PHP 144-14M-55RSB		
748,66		168	3	745,87	-	28	82,0	70,0	-	70,0	-	135,0	48,50	PHP 168-14M-55RSB		
855,62		192	3	852,82	-	28	82,0	70,0	-	70,0	-	135,0	57,80	PHP 192-14M-55RSB		
962,57		216	3	959,76	-	28	82,0	70,0	-	70,0	-	150,0	67,00	PHP 216-14M-55RSB		
14	85	124,78	28	1F	122,12	127,0	24	67,0	102,0	-	117,0	-	100,0	7,70	PHP 28-14M-85RSB	
		129,23	29	1F	126,57	138,0	24	67,0	102,0	-	117,0	-	100,0	8,40	PHP 29-14M-85RSB	
		133,69	30	1F	130,99	138,0	24	67,0	102,0	-	117,0	-	100,0	9,10	PHP 30-14M-85RSB	
		142,60	32	1F	139,88	154,0	24	67,0	102,0	-	117,0	-	100,0	10,50	PHP 32-14M-85RSB	
		151,52	34	1F	148,79	160,0	24	67,0	102,0	-	117,0	-	100,0	11,90	PHP 34-14M-85RSB	
		160,43	36	1F	157,68	168,0	32	67,0	102,0	-	117,0	-	100,0	13,20	PHP 36-14M-85RSB	
		169,34	38	1F	166,60	183,0	32	80,0	102,0	-	117,0	-	120,0	15,15	PHP 38-14M-85RSB	
		178,25	40	1F	175,49	188,0	32	90,0	102,0	-	117,0	-	135,0	17,10	PHP 40-14M-85RSB	
		196,08	44	1F	193,28	211,0	32	90,0	102,0	-	117,0	-	135,0	23,30	PHP 44-14M-85RSB	
		213,90	48	1F	211,11	226,0	32	100,0	102,0	-	117,0	-	150,0	25,00	PHP 48-14M-85RSB	
	249,55	56	7F	246,76	256,0	32	90,0	102,0	-	102,0	-	150,0	25,00	PHP 56-14M-85RSB		
	285,21	64	7F	282,41	296,0	32	90,0	102,0	-	102,0	-	150,0	28,20	PHP 64-14M-85RSB		
	320,86	72	3	318,06	-	32	90,0	102,0	-	102,0	-	150,0	28,80	PHP 72-14M-85RSB		
	356,51	80	3	353,71	-	32	90,0	102,0	-	102,0	-	150,0	30,10	PHP 80-14M-85RSB		
	401,07	90	3	398,28	-	32	90,0	102,0	-	102,0	-	150,0	33,00	PHP 90-14M-85RSB		
	499,11	112	3	496,32	-	32	90,0	102,0	-	102,0	-	150,0	41,80	PHP 112-14M-85RSB		
	641,71	144	3	638,92	-	32	90,0	102,0	-	102,0	-	150,0	52,40	PHP 144-14M-85RSB		

HiTD pulleys

14 mm pitch pilot bore (RSB)



Type 1F

Type 3

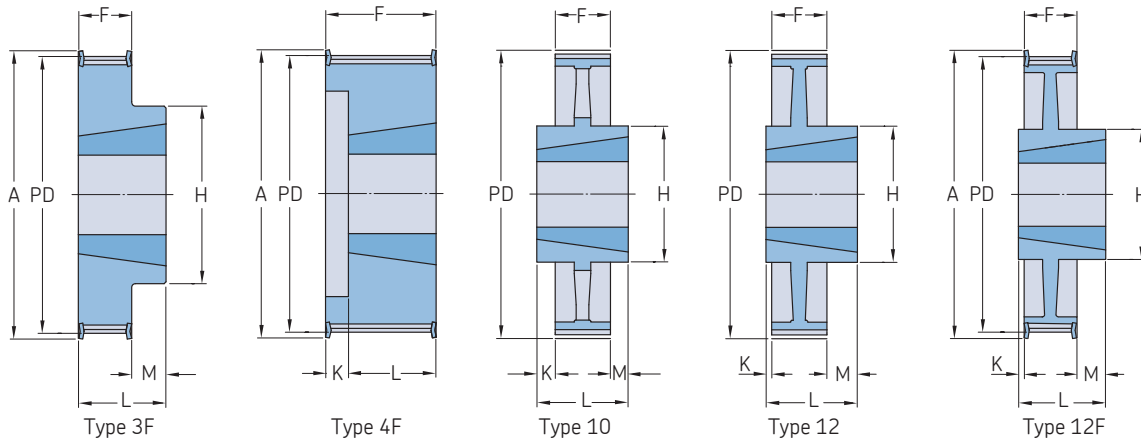
Type 7

Type 7F

Pitch	Belt width	Pitch diameter PD	Number of teeth	Pulley type	Dimensions									Mass	Designation
					Outer diameter OD	A	B Min.	Max.	F	K	L	M	H		
mm			-	-	mm									kg	-
14	85	748,66	168	3	745,87	-	32	90,0	102,0	-	102,0	-	150,0	60,30	PHP 168-14M-85RSB
		855,62	192	3	852,82	-	32	100,0	102,0	-	102,0	-	165,0	70,20	PHP 192-14M-85RSB
		962,57	216	3	959,76	-	32	100,0	102,0	-	102,0	-	165,0	81,00	PHP 216-14M-85RSB
14	115	124,78	28	1F	122,12	127,0	32	67,0	133,0	-	148,0	-	100,0	9,20	PHP 28-14M-115RSB
		129,23	29	1F	126,57	138,0	32	67,0	133,0	-	148,0	-	100,0	10,20	PHP 29-14M-115RSB
		133,69	30	1F	130,99	138,0	32	67,0	133,0	-	148,0	-	100,0	11,20	PHP 30-14M-115RSB
		142,60	32	1F	139,88	154,0	32	67,0	133,0	-	148,0	-	100,0	13,20	PHP 32-14M-115RSB
		151,52	34	1F	148,79	160,0	32	67,0	133,0	-	148,0	-	100,0	14,80	PHP 34-14M-115RSB
		160,43	36	1F	157,68	168,0	32	80,0	133,0	-	148,0	-	120,0	16,60	PHP 36-14M-115RSB
		169,34	38	1F	166,60	183,0	32	80,0	133,0	-	148,0	-	120,0	19,20	PHP 38-14M-115RSB
		178,25	40	1F	175,49	188,0	32	90,0	133,0	-	148,0	-	135,0	20,56	PHP 40-14M-115RSB
		196,08	44	1F	193,28	211,0	32	94,0	133,0	-	148,0	-	140,0	26,00	PHP 44-14M-115RSB
		213,90	48	1F	211,11	226,0	32	100,0	133,0	-	148,0	-	150,0	30,00	PHP 48-14M-115RSB
		249,55	56	1F	246,76	256,0	32	100,0	133,0	-	148,0	-	150,0	36,00	PHP 56-14M-115RSB
		285,21	64	7F	282,41	296,0	32	90,0	133,0	-	133,0	-	150,0	39,00	PHP 64-14M-115RSB
		320,86	72	3	318,06	-	32	90,0	133,0	-	133,0	-	150,0	32,83	PHP 72-14M-115RSB
		356,51	80	3	353,71	-	32	90,0	133,0	-	133,0	-	150,0	35,55	PHP 80-14M-115RSB
		401,07	90	3	398,28	-	32	90,0	133,0	-	133,0	-	150,0	41,00	PHP 90-14M-115RSB
		499,11	112	3	496,32	-	32	90,0	133,0	-	133,0	-	150,0	54,40	PHP 112-14M-115RSB
		641,71	144	3	638,92	-	32	100,0	133,0	-	133,0	-	165,0	67,80	PHP 144-14M-115RSB
		748,66	168	3	745,87	-	32	100,0	133,0	-	133,0	-	165,0	75,80	PHP 168-14M-115RSB
		855,62	192	3	852,82	-	32	100,0	133,0	-	133,0	-	165,0	90,30	PHP 192-14M-115RSB
		962,57	216	3	959,76	-	32	100,0	133,0	-	133,0	-	165,0	105,00	PHP 216-14M-115RSB
14	170	124,78	28	1F	122,12	127,0	32	67,0	187,0	-	202,0	-	100,0	13,80	PHP 28-14M-170RSB
		129,23	29	1F	126,57	138,0	32	67,0	187,0	-	202,0	-	100,0	14,20	PHP 29-14M-170RSB
		133,69	30	1F	130,99	138,0	32	67,0	187,0	-	202,0	-	100,0	15,60	PHP 30-14M-170RSB
		142,60	32	1F	139,88	154,0	32	67,0	187,0	-	202,0	-	100,0	18,10	PHP 32-14M-170RSB
		151,52	34	1F	148,79	160,0	32	67,0	187,0	-	202,0	-	100,0	20,40	PHP 34-14M-170RSB
		160,43	36	1F	157,68	168,0	32	80,0	187,0	-	202,0	-	120,0	23,50	PHP 36-14M-170RSB
		169,34	38	1F	166,60	183,0	32	90,0	187,0	-	202,0	-	135,0	26,50	PHP 38-14M-170RSB
		178,25	40	1F	175,49	188,0	32	94,0	187,0	-	202,0	-	140,0	30,10	PHP 40-14M-170RSB
		196,08	44	1F	193,28	211,0	32	100,0	187,0	-	202,0	-	160,0	37,80	PHP 44-14M-170RSB
		213,90	48	1F	211,11	226,0	32	107,0	187,0	-	202,0	-	160,0	44,50	PHP 48-14M-170RSB
		249,55	56	1F	246,76	256,0	32	110,0	187,0	-	202,0	-	160,0	61,00	PHP 56-14M-170RSB
		285,21	64	1F	282,41	296,0	32	120,0	187,0	-	202,0	-	180,0	81,00	PHP 64-14M-170RSB
		320,86	72	7	318,06	-	32	120,0	187,0	-	187,0	-	180,0	61,40	PHP 72-14M-170RSB
		356,51	80	7	353,71	-	32	108,0	187,0	-	187,0	-	180,0	65,00	PHP 80-14M-170RSB
		401,07	90	3	398,28	-	38	108,0	187,0	-	187,0	-	180,0	68,00	PHP 90-14M-170RSB
		499,11	112	3	496,32	-	38	108,0	187,0	-	187,0	-	200,0	87,50	PHP 112-14M-170RSB
		641,71	144	3	638,92	-	38	108,0	187,0	-	187,0	-	220,0	114,80	PHP 144-14M-170RSB
		748,66	168	3	745,87	-	38	108,0	187,0	-	187,0	-	220,0	125,00	PHP 168-14M-170RSB
		855,62	192	3	852,82	-	38	108,0	187,0	-	187,0	-	220,0	136,40	PHP 192-14M-170RSB
		962,57	216	3	959,76	-	38	108,0	187,0	-	187,0	-	220,0	147,00	PHP 216-14M-170RSB

HiTD pulleys

5 mm pitch taper bushed | 8 mm pitch taper bushed

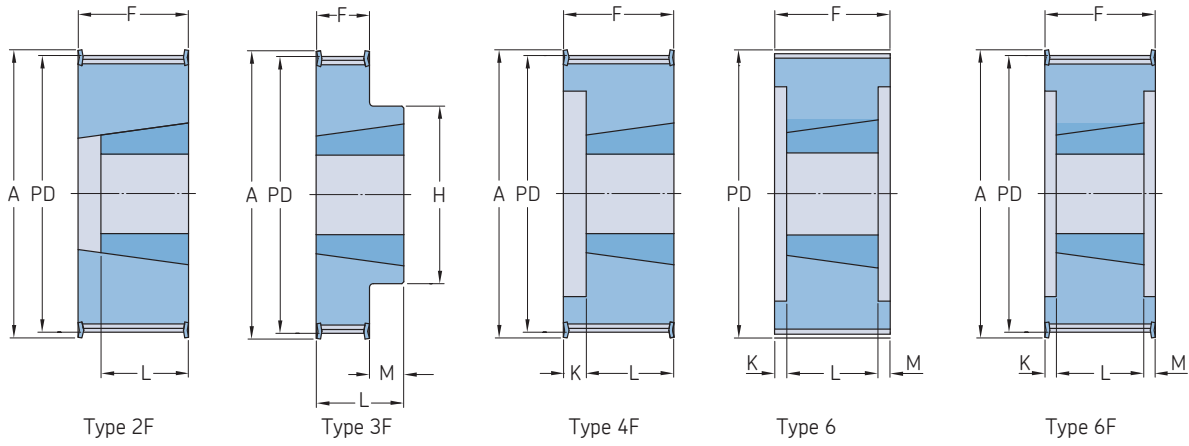


Pitch	Belt width	Pitch diameter	Number of teeth	Pulley type	Bushing number	Dimensions								Mass ¹⁾	Designation			
						Outer diameter OD	A	B Min.	Max.	F	K	L	M			H		
mm		PD	-	-	-	mm								kg	-			
5	15	54,11	34	3F	1008	52,97	58	9	25,0	20,5	-	22,0	1,5	43	0,19	PHP 34-5M-15TB		
		57,30	36	3F	1108	56,16	61	9	28,0	20,5	-	22,0	1,5	45	0,20	PHP 36-5M-15TB		
		60,48	38	3F	1108	59,34	65	9	28,0	20,5	-	22,0	1,5	48	0,25	PHP 38-5M-15TB		
		63,66	40	3F	1108	62,52	68	9	28,0	20,5	-	22,0	1,5	52	0,31	PHP 40-5M-15TB		
		70,03	44	3F	1108	68,89	74	9	28,0	20,5	-	22,0	1,5	54	0,40	PHP 44-5M-15TB		
		76,39	48	3F	1210	75,25	80	11	32,0	20,5	-	25,0	4,5	64	0,45	PHP 48-5M-15TB		
		89,13	56	3F	1210	87,99	93	11	32,0	20,5	-	25,0	4,5	70	0,67	PHP 56-5M-15TB		
		101,86	64	3F	1210	100,72	106	11	32,0	20,5	-	25,0	4,5	78	0,96	PHP 64-5M-15TB		
		114,59	72	3F	1610	113,45	118	14	42,0	20,5	-	25,0	4,5	90	1,19	PHP 72-5M-15TB		
		127,32	80	3F	1610	126,18	135	14	42,0	20,5	-	25,0	4,5	92	1,57	PHP 80-5M-15TB		
		143,24	90	10	1610	142,10	-	14	42,0	20,5	2,3	25,0	2,3	92	1,47	PHP 90-5M-15TB		
		178,25	112	10	1610	177,11	-	14	42,0	20,5	2,3	25,0	2,3	92	1,94	PHP 112-5M-15TB		
		216,45	136	10	2012	215,31	-	14	50,0	20,5	5,8	32,0	5,8	106	3,06	PHP 136-5M-15TB		
		238,73	150	10	2012	237,51	-	14	50,0	20,5	5,8	32,0	5,8	106	4,50	PHP 150-5M-15TB		
		8	20	56,02	22	4F	1008	54,65	65	9	25,0	28,0	6,0	22,0	-	-	0,24	PHP 22-8M-20TB
				61,12	24	4F	1108	59,75	70	9	28,0	28,0	6,0	22,0	-	-	0,30	PHP 24-8M-20TB
				66,21	26	4F	1108	64,84	75	9	28,0	28,0	6,0	22,0	-	-	0,36	PHP 26-8M-20TB
				71,30	28	4F	1108	70,08	80	9	28,0	28,0	6,0	22,0	-	-	0,44	PHP 28-8M-20TB
76,39	30			4F	1108	75,13	85	11	28,0	28,0	6,0	22,0	-	-	0,45	PHP 30-8M-20TB		
81,49	32			4F	1610	80,16	90	11	42,0	28,0	3,0	25,0	-	-	0,50	PHP 32-8M-20TB		
86,58	34			4F	1610	85,22	95	14	42,0	28,0	3,0	25,0	-	-	0,55	PHP 34-8M-20TB		
91,67	36			4F	1610	90,30	100	14	42,0	28,0	3,0	25,0	-	-	0,68	PHP 36-8M-20TB		
96,77	38			4F	1610	95,39	106	14	42,0	28,0	3,0	25,0	-	-	0,80	PHP 38-8M-20TB		
101,86	40			4F	1610	100,49	110	14	42,0	28,0	3,0	25,0	-	-	1,00	PHP 40-8M-20TB		
106,95	42			4F	1610	105,58	110	14	42,0	28,0	3,0	25,0	-	-	1,11	PHP 42-8M-20TB		
112,05	44			3F	2012	110,67	121	14	50,0	28,0	-	32,0	4,0	92	1,20	PHP 44-8M-20TB		
122,23	48			3F	2012	120,86	131	14	50,0	28,0	-	32,0	4,0	96	1,60	PHP 48-8M-20TB		
142,60	56			3F	2012	141,23	151	14	50,0	28,0	-	32,0	4,0	110	2,40	PHP 56-8M-20TB		
152,79	60			3F	2012	151,42	162	14	50,0	28,0	-	32,0	4,0	110	2,55	PHP 60-8M-20TB		
162,97	64			12F	2012	161,60	171	14	50,0	28,0	-	32,0	4,0	110	2,70	PHP 64-8M-20TB		
183,35	72			12F	2012	181,97	192	14	50,0	28,0	-	32,0	4,0	110	3,30	PHP 72-8M-20TB		
203,72	80			12	2012	202,35	-	16	50,0	28,0	-	32,0	4,0	110	3,50	PHP 80-8M-20TB		
229,18	90	12	2012	227,81	-	16	50,0	28,0	-	32,0	4,0	110	3,65	PHP 90-8M-20TB				
8	30	50,93	20	4F	1008	49,56	60	9	25,0	38,0	16,0	22,0	-	-	0,23	PHP 20-8M-30TB		
		53,47	21	4F	1008	52,10	65	9	25,0	38,0	16,0	22,0	-	-	0,26	PHP 21-8M-30TB		
		56,02	22	4F	1008	54,65	65	9	25,0	38,0	16,0	22,0	-	-	0,29	PHP 22-8M-30TB		
		58,57	23	4F	1108	57,20	70	9	28,0	38,0	16,0	22,0	-	-	0,32	PHP 23-8M-30TB		
		61,12	24	4F	1108	59,75	70	9	28,0	38,0	16,0	22,0	-	-	0,38	PHP 24-8M-30TB		
		63,66	25	4F	1108	62,29	75	9	28,0	38,0	16,0	22,0	-	-	0,41	PHP 25-8M-30TB		
		66,21	26	4F	1108	64,84	75	9	28,0	38,0	16,0	22,0	-	-	0,45	PHP 26-8M-30TB		
		68,75	27	4F	1108	67,38	80	9	28,0	38,0	16,0	22,0	-	-	0,49	PHP 27-8M-30TB		
		71,30	28	4F	1210	70,08	80	11	32,0	38,0	16,0	25,0	-	-	0,50	PHP 28-8M-30TB		

¹⁾ Mass does not include bushings.

HiTD pulleys

8 mm pitch taper bushed

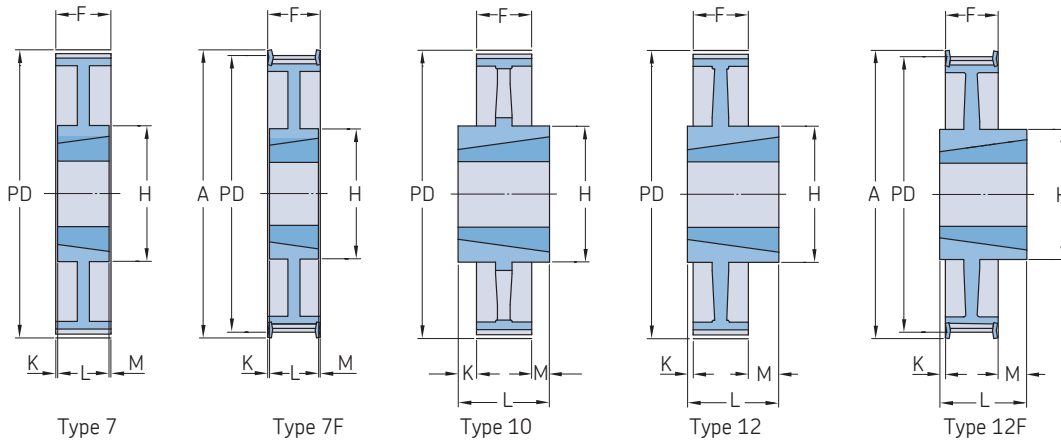


Pitch	Belt width	Pitch diameter PD	Number of teeth	Pulley type	Bushing number	Dimensions								Mass ¹⁾	Designation	
						Outer diameter OD	A	B Min.	Max.	F	K	L	M			H
mm			-	-	-	mm									kg	-
8	30	76,39	30	2F	1615	75,13	85	11	42,0	38,0	-	38,0	-	-	0,55	PHP 30-8M-30TB
		78,94	31	2F	1615	77,57	90	14	42,0	38,0	-	38,0	-	-	0,57	PHP 31-8M-30TB
		81,49	32	2F	1615	80,16	90	14	42,0	38,0	-	38,0	-	-	0,59	PHP 32-8M-30TB
		84,03	33	2F	1615	82,66	95	14	42,0	38,0	-	38,0	-	-	0,73	PHP 33-8M-30TB
		86,58	34	2F	1615	85,22	95	14	42,0	38,0	-	38,0	-	-	0,77	PHP 34-8M-30TB
		89,13	35	2F	1615	87,75	100	14	42,0	38,0	-	38,0	-	-	0,82	PHP 35-8M-30TB
		91,67	36	2F	1615	90,30	100	14	42,0	38,0	-	38,0	-	-	0,96	PHP 36-8M-30TB
		96,77	38	2F	1615	95,39	106	14	42,0	38,0	-	38,0	-	-	1,15	PHP 38-8M-30TB
		101,86	40	2F	1615	100,49	110	14	42,0	38,0	-	38,0	-	-	1,34	PHP 40-8M-30TB
		106,95	42	2F	1615	105,58	110	14	42,0	38,0	-	38,0	-	-	1,36	PHP 42-8M-30TB
		112,05	44	6F	2012	110,67	121	14	50,0	38,0	6,0	32,0	-	-	1,33	PHP 44-8M-30TB
		114,59	45	6F	2012	113,22	121	14	50,0	38,0	6,0	32,0	-	-	1,62	PHP 45-8M-30TB
		122,23	48	6F	2012	120,86	131	14	50,0	38,0	6,0	32,0	-	-	1,78	PHP 48-8M-30TB
		127,32	50	6F	2012	125,95	136	14	50,0	38,0	3,0	32,0	3,0	-	2,08	PHP 50-8M-30TB
		132,42	52	6F	2012	131,04	141	14	50,0	38,0	3,0	32,0	3,0	-	2,39	PHP 52-8M-30TB
		142,60	56	6F	2012	141,23	151	14	50,0	38,0	6,0	32,0	-	-	3,76	PHP 56-8M-30TB
		147,70	58	6F	2012	146,32	156	14	50,0	38,0	3,0	32,0	3,0	-	3,87	PHP 58-8M-30TB
		152,79	60	6F	2517	151,42	162	16	60,0	38,0	3,0	45,0	3,0	-	3,98	PHP 60-8M-30TB
		162,97	64	3F	2517	161,60	171	16	60,0	38,0	-	45,0	7,0	125	4,20	PHP 64-8M-30TB
		183,35	72	12F	2517	181,97	192	16	60,0	38,0	-	45,0	7,0	125	4,30	PHP 72-8M-30TB
203,72	80	12	2517	202,35	-	16	60,0	38,0	-	45,0	7,0	125	4,60	PHP 80-8M-30TB		
229,18	90	12	2517	227,81	-	16	60,0	38,0	-	45,0	7,0	125	5,00	PHP 90-8M-30TB		
285,21	112	12	2517	283,83	-	16	60,0	38,0	-	45,0	7,0	125	6,20	PHP 112-8M-30TB		
366,69	144	12	2517	365,32	-	16	60,0	38,0	-	45,0	7,0	125	9,00	PHP 144-8M-30TB		
427,81	168	10	3020	426,44	-	25	75,0	38,0	7,0	51,0	7,0	170	15,00	PHP 168-8M-30TB		
488,92	192	10	3525	487,55	-	35	100,0	38,0	14,0	65,0	7,0	198	18,50	PHP 192-8M-30TB		

¹⁾ Mass does not include bushings.

HiTD pulleys

8 mm pitch taper bushed

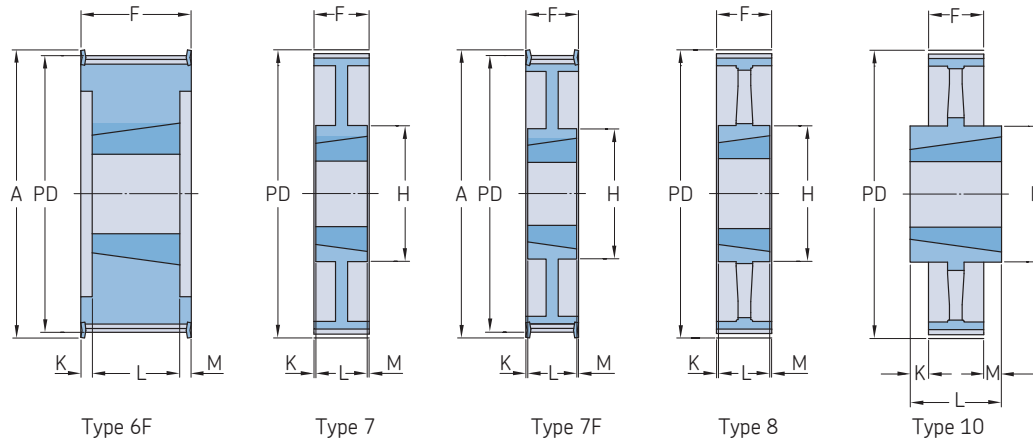


Pitch	Belt width	Pitch diameter PD	Number of teeth	Pulley type	Bushing number	Dimensions		A	B Min.	Max.	F	K	L	M	H	Mass ¹⁾	Designation	
						Outer diameter OD												
mm			-	-	-	mm											kg	-
8	50	61,12	24	6F	1108	59,75	70	9	32,0	60,0	19,0	22,0	19,0	-	0,35	PHP 24-8M-50TB		
		66,21	26	6F	1108	64,84	75	9	32,0	60,0	19,0	22,0	19,0	-	0,48	PHP 26-8M-50TB		
		68,75	27	6F	1108	67,38	75	9	32,0	60,0	19,0	22,0	19,0	-	0,55	PHP 27-8M-50TB		
		71,30	28	4F	1210	70,08	80	11	32,0	60,0	35,0	22,0	35,0	-	0,60	PHP 28-8M-50TB		
		76,39	30	4F	1615	75,13	85	14	42,0	60,0	23,0	25,0	-	-	0,65	PHP 30-8M-50TB		
		78,94	31	4F	1615	77,57	87	14	42,0	60,0	23,0	25,0	-	-	0,77	PHP 31-8M-50TB		
		81,49	32	4F	1615	80,16	90	14	42,0	60,0	23,0	25,0	-	-	0,82	PHP 32-8M-50TB		
		84,03	33	4F	1615	82,66	90	14	42,0	60,0	23,0	25,0	-	-	0,98	PHP 33-8M-50TB		
		86,58	34	4F	1615	85,22	95	14	42,0	60,0	23,0	25,0	-	-	1,06	PHP 34-8M-50TB		
		89,13	35	4F	1615	87,75	95	14	42,0	60,0	23,0	25,0	-	-	1,18	PHP 35-8M-50TB		
		91,67	36	4F	1615	90,30	100	14	42,0	60,0	23,0	25,0	-	-	1,30	PHP 36-8M-50TB		
		96,77	38	4F	1615	95,39	105	14	42,0	60,0	23,0	25,0	-	-	1,60	PHP 38-8M-50TB		
		101,86	40	4F	2012	100,49	110	14	50,0	60,0	29,0	32,0	-	-	1,71	PHP 40-8M-50TB		
		106,95	42	4F	2012	105,58	111	14	50,0	60,0	29,0	32,0	28,0	-	1,75	PHP 42-8M-50TB		
		112,05	44	6F	2012	110,67	121	14	50,0	60,0	-	32,0	28,0	-	1,78	PHP 44-8M-50TB		
		114,59	45	6F	2012	113,22	121	14	50,0	60,0	-	32,0	28,0	-	1,91	PHP 45-8M-50TB		
		122,23	48	6F	2012	120,86	131	14	50,0	60,0	-	32,0	28,0	-	2,30	PHP 48-8M-50TB		
		127,32	50	6F	2012	125,95	131	14	50,0	60,0	-	32,0	28,0	-	2,58	PHP 50-8M-50TB		
		132,42	52	6F	2012	131,04	140	14	50,0	60,0	-	32,0	28,0	-	2,85	PHP 52-8M-50TB		
		142,60	56	6F	2517	141,23	151	16	60,0	60,0	-	45,0	15,0	-	3,40	PHP 56-8M-50TB		
		147,70	58	6F	2517	146,32	156	16	60,0	60,0	-	45,0	15,0	-	3,80	PHP 58-8M-50TB		
		152,79	60	6F	2517	151,42	158	16	60,0	60,0	-	45,0	15,0	-	4,20	PHP 60-8M-50TB		
162,97	64	6F	2517	161,60	171	16	60,0	60,0	-	45,0	15,0	-	5,00	PHP 64-8M-50TB				
183,35	72	7F	2517	181,97	192	16	60,0	60,0	7,5	45,0	7,5	125	6,70	PHP 72-8M-50TB				
203,72	80	6	3020	202,35	-	25	75,0	60,0	4,5	45,0	4,5	-	8,80	PHP 80-8M-50TB				
229,18	90	7	3020	227,81	-	25	75,0	60,0	4,5	51,0	4,5	160	10,00	PHP 90-8M-50TB				
285,21	112	7	3020	283,83	-	25	75,0	60,0	4,5	51,0	4,5	170	12,00	PHP 112-8M-50TB				

¹⁾ Mass does not include bushings.

HiTD pulleys

8 mm pitch taper bushed | 14 mm pitch taper bushed



Pitch	Belt width	Pitch diameter	Number of teeth	Pulley type	Bushing number	Dimensions								Mass ¹⁾	Designation		
						Outer diameter OD	A	B Min.	Max.	F	K	L	M			H	
mm		PD				mm								kg			
8	50	366,69	144	8	3020	365,32	–	25	75,0	60,0	4,5	51,0	4,5	170	15,20	PHP 144-8M-50TB	
		427,81	168	10	3525	426,44	–	25	100,0	60,0	4,5	51,0	4,5	170	16,40	PHP 168-8M-50TB	
		488,92	192	10	3525	487,55	–	25	100,0	60,0	4,5	51,0	4,5	170	21,80	PHP 192-8M-50TB	
		61,12	24	6F	1108	59,75	70	9	28,0	95,0	36,5	22,0	36,5	–	0,46	PHP 24-8M-85TB	
		66,21	26	6F	1108	64,84	75	9	28,0	95,0	36,5	22,0	36,5	–	0,64	PHP 26-8M-85TB	
		71,30	28	6F	1108	70,08	80	9	28,0	95,0	36,5	22,0	36,5	–	0,82	PHP 28-8M-85TB	
	8	85	76,39	30	6F	1615	75,13	85	14	42,0	95,0	36,5	22,0	36,5	–	1,17	PHP 30-8M-85TB
			84,03	33	6F	1615	82,66	90	14	42,0	95,0	36,5	22,0	36,5	–	1,34	PHP 33-8M-85TB
			86,58	34	6F	1615	85,22	95	14	42,0	95,0	28,5	38,0	28,5	–	1,43	PHP 34-8M-85TB
			89,13	35	6F	1615	87,75	95	14	42,0	95,0	28,5	38,0	28,5	–	1,54	PHP 35-8M-85TB
			91,67	36	6F	1615	90,30	100	14	42,0	95,0	28,5	38,0	28,5	–	1,87	PHP 36-8M-85TB
			96,77	38	6F	1615	95,39	106	14	42,0	95,0	28,5	38,0	28,5	–	2,20	PHP 38-8M-85TB
101,86			40	6F	2012	100,49	110	14	50,0	95,0	31,5	32,0	31,5	–	1,80	PHP 40-8M-85TB	
106,95			42	6F	2012	105,58	110	14	50,0	95,0	31,5	32,0	31,5	–	2,16	PHP 42-8M-85TB	
112,05			44	6F	2012	110,67	121	14	50,0	95,0	31,5	32,0	31,5	–	2,30	PHP 44-8M-85TB	
114,59			45	6F	2012	113,22	121	14	50,0	95,0	31,5	32,0	31,5	–	2,39	PHP 45-8M-85TB	
122,23			48	6F	2517	120,86	131	16	60,0	95,0	25,0	45,0	25,0	–	2,66	PHP 48-8M-85TB	
127,32			50	6F	2517	125,95	131	16	60,0	95,0	25,0	45,0	25,0	–	3,11	PHP 50-8M-85TB	
132,42			52	6F	2517	131,04	140	16	60,0	95,0	25,0	45,0	25,0	–	3,56	PHP 52-8M-85TB	
142,60			56	6F	2517	141,23	151	16	60,0	95,0	25,0	45,0	25,0	–	4,45	PHP 56-8M-85TB	
147,70			58	6F	2517	146,32	158	16	60,0	95,0	25,0	45,0	25,0	–	4,89	PHP 58-8M-85TB	
152,79			60	6F	2517	151,42	158	16	60,0	95,0	25,0	45,0	25,0	–	5,33	PHP 60-8M-85TB	
162,97			64	7F	2517	161,60	171	16	60,0	95,0	25,0	45,0	25,0	–	6,20	PHP 64-8M-85TB	
14			40	183,35	72	7	3020	181,97	192	25	75,0	95,0	22,0	51,0	22,0	–	8,00
		203,72		80	8	3020	202,35	–	25	75,0	95,0	22,0	51,0	22,0	–	10,00	PHP 80-8M-85TB
		229,18		90	8	3020	227,81	–	25	75,0	95,0	22,0	51,0	22,0	–	10,80	PHP 90-8M-85TB
		285,21		112	8	3020	283,83	–	25	75,0	95,0	22,0	51,0	22,0	170	15,00	PHP 112-8M-85TB
		366,69		144	8	3535	365,32	–	35	90,0	95,0	3,0	89,0	3,0	190	20,00	PHP 144-8M-85TB
		427,81		168	8	3535	426,44	–	35	90,0	95,0	3,0	89,0	3,0	190	23,00	PHP 168-8M-85TB
		488,92		192	8	3535	487,55	–	35	90,0	95,0	3,0	89,0	3,0	190	28,50	PHP 192-8M-85TB
		124,78		28	6F	2012	122,12	141	14	50,0	54,0	11,0	32,0	11,0	–	2,66	PHP 28-14M-40TB
		129,23		29	6F	2012	126,57	141	14	50,0	54,0	11,0	32,0	11,0	–	2,66	PHP 29-14M-40TB
		133,69		30	6F	2012	130,99	156	14	50,0	54,0	11,0	32,0	11,0	–	2,89	PHP 30-14M-40TB
		142,60		32	6F	2012	139,88	156	14	50,0	54,0	11,0	32,0	11,0	–	3,51	PHP 32-14M-40TB
		151,52		34	6F	2517	148,79	165	16	60,0	54,0	4,5	45,0	4,5	–	3,87	PHP 34-14M-40TB
		155,97		35	6F	2517	153,18	173	16	60,0	54,0	4,5	45,0	4,5	–	4,34	PHP 35-14M-40TB
		160,43		36	6F	2517	157,68	173	16	60,0	54,0	4,5	45,0	4,5	–	4,62	PHP 36-14M-40TB
		169,34		38	6F	2517	166,60	182	16	60,0	54,0	4,5	45,0	4,5	–	5,40	PHP 38-14M-40TB
		178,25		40	6F	2517	175,49	191	16	60,0	54,0	4,5	45,0	4,5	–	6,23	PHP 40-14M-40TB
		187,17		42	6F	2517	184,37	209	16	60,0	54,0	4,5	45,0	4,5	–	6,75	PHP 42-14M-40TB
		196,08		44	6F	3020	193,28	209	25	75,0	54,0	1,5	51,0	1,5	–	7,26	PHP 44-14M-40TB
		200,54	45	6F	3020	197,74	227	25	75,0	54,0	1,5	51,0	1,5	–	8,20	PHP 45-14M-40TB	
	213,90	48	6F	3020	211,11	227	25	75,0	54,0	1,5	51,0	1,5	–	9,33	PHP 48-14M-40TB		
	222,82	50	6F	3020	220,02	246	25	75,0	54,0	1,5	51,0	1,5	–	10,10	PHP 50-14M-40TB		
	249,55	56	6F	3020	246,76	264	25	75,0	54,0	1,5	51,0	1,5	–	10,80	PHP 56-14M-40TB		
	267,38	60	7F	3020	264,59	281	25	75,0	54,0	1,5	51,0	1,5	170	13,10	PHP 60-14M-40TB		
	285,21	64	7F	3020	282,41	296	25	75,0	54,0	1,5	51,0	1,5	170	15,40	PHP 64-14M-40TB		
	320,86	72	7	3020	318,06	–	25	75,0	54,0	1,5	51,0	1,5	170	19,75	PHP 72-14M-40TB		
	356,51	80	8	3020	353,71	–	25	75,0	54,0	1,5	51,0	1,5	170	20,00	PHP 80-14M-40TB		
	401,07	90	8	3020	398,28	–	25	75,0	54,0	1,5	51,0	1,5	170	21,80	PHP 90-14M-40TB		
	499,11	112	8	3020	496,32	–	25	75,0	54,0	1,5	51,0	1,5	170	29,60	PHP 112-14M-40TB		
	641,71	144	8	3020	638,92	–	25	75,0	54,0	1,5	51,0	1,5	170	36,00	PHP 144-14M-40TB		
	748,66	168	8	3020	745,87	–	25	75,0	54,0	1,5	51,0	1,5	170	48,00	PHP 168-14M-40TB		

¹⁾ Mass does not include bushings.

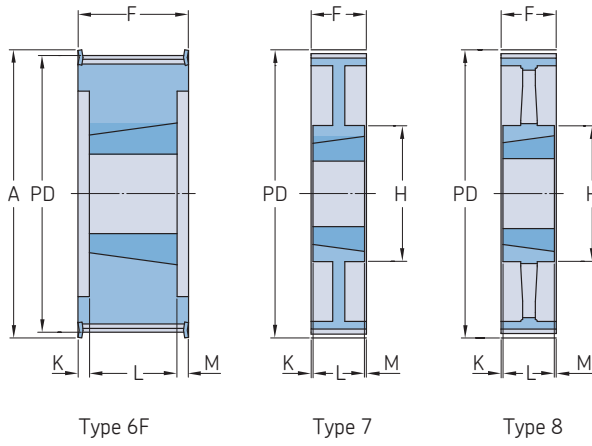
HiTD pulleys

14 mm pitch taper bushed

Pitch	Belt width	Pitch diameter	Number of teeth	Pulley type	Bushing number	Dimensions							Mass ¹⁾	Designation				
						Outer diameter	A	B Min.	Max.	F	K	L			M	H		
		PD				mm												
14	40	855,62	192	8	3020	852,82	–	25	75,0	54,0	1,5	51,0	1,5	170	53,00	PHP 192-14M-40TB		
		962,56	216	8	3020	960,00	–	25	75,0	54,0	1,5	51,0	1,5	170	60,00	PHP 216-14M-40TB		
14	55	124,78	28	6F	2012	122,12	141	14	50,0	70,0	19,0	32,0	19,0	–	2,88	PHP 28-14M-55TB		
		129,23	29	6F	2012	126,57	141	14	50,0	70,0	19,0	32,0	19,0	–	3,18	PHP 29-14M-55TB		
		133,69	30	6F	2517	130,99	156	16	60,0	70,0	12,5	45,0	12,5	–	3,21	PHP 30-14M-55TB		
		142,60	32	6F	2517	139,88	156	16	60,0	70,0	12,5	45,0	12,5	–	3,90	PHP 32-14M-55TB		
		151,51	34	6F	2517	148,79	165	16	60,0	70,0	12,5	45,0	12,5	–	4,55	PHP 34-14M-55TB		
		155,97	35	6F	2517	153,18	173	16	60,0	70,0	12,5	45,0	12,5	–	4,88	PHP 35-14M-55TB		
		160,43	36	6F	2517	157,68	173	16	60,0	70,0	12,5	45,0	12,5	–	5,20	PHP 36-14M-55TB		
		169,34	38	6F	2517	166,60	182	16	60,0	70,0	12,5	45,0	12,5	–	6,20	PHP 38-14M-55TB		
		178,25	40	6F	2517	175,49	191	16	60,0	70,0	12,5	45,0	12,5	–	7,00	PHP 40-14M-55TB		
		187,17	42	6F	3020	184,37	209	25	75,0	70,0	9,5	51,0	9,5	–	7,80	PHP 42-14M-55TB		
		196,08	44	6F	3020	193,28	209	25	75,0	70,0	9,5	51,0	9,5	–	8,42	PHP 44-14M-55TB		
		200,54	45	6F	3020	197,74	227	25	75,0	70,0	9,5	51,0	9,5	–	9,51	PHP 45-14M-55TB		
		213,90	48	6F	3020	211,11	227	25	75,0	70,0	9,5	51,0	9,5	–	10,64	PHP 48-14M-55TB		
		228,82	50	6F	3020	220,02	246	25	75,0	70,0	9,5	51,0	9,5	–	11,52	PHP 50-14M-55TB		
		249,55	56	6F	3020	246,76	264	25	75,0	70,0	9,5	51,0	9,5	–	12,40	PHP 56-14M-55TB		
		267,38	60	7F	3020	264,59	281	25	75,0	70,0	9,5	51,0	9,5	170	14,00	PHP 60-14M-55TB		
		285,21	64	7F	3020	282,41	298	25	75,0	70,0	9,5	51,0	9,5	170	15,18	PHP 64-14M-55TB		
		320,86	72	7	3020	318,06	–	25	75,0	70,0	9,5	51,0	9,5	170	20,00	PHP 72-14M-55TB		
		356,51	80	8	3020	353,71	–	25	75,0	70,0	9,5	51,0	9,5	170	22,50	PHP 80-14M-55TB		
		401,07	90	8	3020	398,28	–	25	75,0	70,0	9,5	51,0	9,5	170	25,00	PHP 90-14M-55TB		
		499,11	112	8	3020	496,32	–	25	75,0	70,0	9,5	51,0	9,5	170	33,40	PHP 112-14M-55TB		
		641,71	144	8	3020	638,92	–	25	75,0	70,0	9,5	51,0	9,5	170	46,50	PHP 144-14M-55TB		
		748,66	168	8	3020	745,87	–	25	75,0	70,0	9,5	51,0	9,5	170	58,50	PHP 168-14M-55TB		
		855,62	192	8	3020	852,82	–	25	75,0	70,0	9,5	51,0	9,5	170	62,00	PHP 192-14M-55TB		
		962,56	216	10	3535	960,00	–	35	90,0	70,0	9,5	51,0	9,5	190	74,80	PHP 216-14M-55TB		
		14	85	124,78	28	6F	2517	122,12	141	16	60,0	102,0	28,5	45,0	28,5	–	2,70	PHP 28-14M-85TB
				129,23	29	6F	2517	126,57	141	16	60,0	102,0	28,5	45,0	28,5	–	3,40	PHP 29-14M-85TB
				133,69	30	6F	2517	130,99	156	16	60,0	102,0	28,5	45,0	28,5	–	3,75	PHP 30-14M-85TB
				142,60	32	6F	2517	139,88	156	16	60,0	102,0	28,5	45,0	28,5	–	4,80	PHP 32-14M-85TB
				151,51	34	6F	2517	148,79	165	16	60,0	102,0	28,5	45,0	28,5	–	6,00	PHP 34-14M-85TB
				155,97	35	6F	2517	153,18	173	16	75,0	102,0	25,5	51,0	25,5	–	6,33	PHP 35-14M-85TB
				160,43	36	6F	3020	157,68	173	25	75,0	102,0	25,5	51,0	25,5	–	6,67	PHP 36-14M-85TB
				169,34	38	6F	3020	166,60	182	25	75,0	102,0	25,5	51,0	25,5	–	6,80	PHP 38-14M-85TB
				178,25	40	6F	3020	175,49	191	25	75,0	102,0	25,5	51,0	25,5	–	8,00	PHP 40-14M-85TB
				181,17	42	6F	3020	184,37	209	25	75,0	102,0	13,0	76,0	13,0	–	9,90	PHP 42-14M-85TB
196,08	44			6F	3020	193,28	209	25	75,0	102,0	13,0	76,0	13,0	–	11,80	PHP 44-14M-85TB		
200,54	45			6F	3020	197,74	227	25	75,0	102,0	13,0	76,0	13,0	–	12,63	PHP 45-14M-85TB		
213,90	48			6F	3020	211,11	227	25	75,0	102,0	13,0	76,0	13,0	–	15,10	PHP 48-14M-85TB		
222,82	50			6F	3535	220,02	246	35	90,0	102,0	18,5	65,0	18,5	–	16,08	PHP 50-14M-85TB		
249,55	56			6F	3535	246,76	264	35	90,0	102,0	18,5	65,0	18,5	–	19,00	PHP 56-14M-85TB		
267,38	60			6F	3535	264,59	281	35	90,0	102,0	18,5	65,0	18,5	–	21,00	PHP 60-14M-85TB		
285,21	64			7F	3535	282,41	298	35	90,0	102,0	18,5	65,0	18,5	190	23,00	PHP 64-14M-85TB		
320,86	72			7	3535	318,06	–	35	90,0	102,0	18,5	65,0	18,5	190	25,00	PHP 72-14M-85TB		
356,51	80			8	3535	353,71	–	35	90,0	102,0	18,5	65,0	18,5	190	26,00	PHP 80-14M-85TB		
401,07	90			8	3535	398,28	–	35	90,0	102,0	18,5	65,0	18,5	190	27,80	PHP 90-14M-85TB		
499,11	112			8	3535	496,32	–	35	90,0	102,0	18,5	65,0	18,5	190	36,50	PHP 112-14M-85TB		
641,71	144			8	4040	638,92	–	40	100,0	102,0	18,5	65,0	18,5	230	48,00	PHP 144-14M-85TB		
748,66	168			8	4040	745,87	–	40	100,0	102,0	18,5	65,0	18,5	230	60,00	PHP 168-14M-85TB		
855,62	192			8	4040	852,82	–	40	100,0	102,0	–	102,0	–	230	86,00	PHP 192-14M-85TB		
962,56	216			8	4040	960,00	–	40	100,0	102,0	–	102,0	–	230	119,50	PHP 216-14M-85TB		
14	115			124,78	28	6F	2517	122,12	141	16	60,0	133,0	44,0	45,0	44,0	–	3,77	PHP 28-14M-115TB
				129,23	29	6F	2517	126,57	141	16	60,0	133,0	44,0	45,0	44,0	–	4,00	PHP 29-14M-115TB
				133,69	30	6F	2517	130,99	156	16	60,0	133,0	44,0	45,0	44,0	–	5,00	PHP 30-14M-115TB
				142,60	32	6F	2517	139,88	156	16	60,0	133,0	44,0	45,0	44,0	–	6,00	PHP 32-14M-115TB
				151,52	34	6F	2517	148,79	165	16	60,0	133,0	44,0	45,0	44,0	–	7,20	PHP 34-14M-115TB
				155,97	35	6F	3020	153,18	173	25	75,0	133,0	41,0	51,0	41,0	–	7,00	PHP 35-14M-115TB
				160,43	36	6F	3020	157,68	173	25	75,0	133,0	41,0	51,0	41,0	–	7,30	PHP 36-14M-115TB
				169,34	38	6F	3020	166,60	182	25	75,0	133,0	41,0	51,0	41,0	–	8,40	PHP 38-14M-115TB
				178,25	40	6F	3020	175,49	191	25	75,0	133,0	41,0	51,0	41,0	–	9,20	PHP 40-14M-115TB
				187,17	42	6F	3030	184,37	209	35	75,0	133,0	28,5	76,0	28,5	–	11,60	PHP 42-14M-115TB
		196,08	44	6F	3030	193,28	209	35	75,0	133,0	28,5	76,0	28,5	–	14,00	PHP 44-14M-115TB		
		200,54	45	6F	3030	197,74	227	35	75,0	133,0	28,5	76,0	28,5	–	15,60	PHP 45-14M-115TB		
		213,90	48	6F	3030	211,11	227	35	75,0	133,0	28,5	76,0	28,5	–	17,10	PHP 48-14M-115TB		
		222,82	50	6F	3535	220,02	246	35	90,0	133,0	22,0	89,0	22,0	–	21,00	PHP 50-14M-115TB		
		249,55	56	6F	3535	246,76	264	35	90,0	133,0	22,0	89,0	22,0	–	24,80	PHP 56-14M-115TB		
		267,38	60	6F	3535	264,59	281	35	90,0	133,0	22,0	89,0	22,0	–	25,90	PHP 60-14M-115TB		
		285,21	64	7F	3535	282,41	298	35	90,0	133,0	22,0	89,0	22,0	190	27,00	PHP 64-14M-115TB		
		320,86	72	7	3535	318,06	–	35	90,0	133,0	22,0	89,0	22,0	190	33,00	PHP 72-14M-115TB		
		356,51	80	7	3535	353,71	–	35	90,0	133,0	22,0	89,0	22,0	190	37,00	PHP 80-14M-115TB		
		401,07	90	7	3535	398,28	–	35	90,0	133,0	22,0	89,0	22,0	190	42,00	PHP 90-14M-115TB		
		499,11	112	8	3535	496,32	–	35	90,0	133,0	22,0	89,0	22,0	190	56,00	PHP 112-14M-115TB		

¹⁾ Mass does not include bushings.

HiTD pulleys
14 mm pitch taper bushed

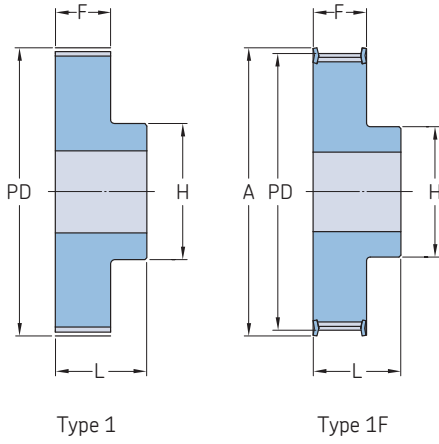


Pitch	Belt width	Pitch diameter PD	Number of teeth	Pulley type	Bushing number	Dimensions		F	K	L	M	H	Mass ¹⁾	Designation		
						Outer diameter OD	A									
mm			-	-	-	mm							kg	-		
14	115	641,71	144	8	4040	638,92	-	40	100,0	133,0	15,5	102,0	15,5	230	75,00	PHP 144-14M-115TB
		748,66	168	8	4040	745,87	-	40	100,0	133,0	15,5	102,0	15,5	230	92,60	PHP 168-14M-115TB
		855,62	192	8	4040	852,92	-	40	100,0	133,0	15,5	102,0	15,5	230	230,00	PHP 192-14M-115TB
		962,57	216	8	4040	959,76	-	40	100,0	133,0	15,5	102,0	15,5	230	127,00	PHP 216-14M-115TB
14	170	155,97	35	6F	3030	153,18	173	35	75,0	187,0	55,5	76,0	55,5	-	10,60	PHP 35-14M-170TB
		160,43	36	6F	3030	157,68	173	35	75,0	187,0	55,5	76,0	55,5	-	11,20	PHP 36-14M-170TB
		169,34	38	6F	3030	167,00	182	35	75,0	187,0	55,5	76,0	55,5	-	11,70	PHP 38-14M-170TB
		178,25	40	6F	3030	175,00	191	35	75,0	187,0	55,5	76,0	55,5	-	13,00	PHP 40-14M-170TB
		187,17	42	6F	3535	184,37	202	35	90,0	187,0	49,0	89,0	49,0	-	14,00	PHP 42-14M-170TB
		196,08	44	6F	3535	193,00	209	35	90,0	187,0	49,0	89,0	49,0	-	15,00	PHP 44-14M-170TB
		200,54	45	6F	3535	197,74	212	35	90,0	187,0	49,0	89,0	49,0	-	16,00	PHP 45-14M-170TB
		213,90	48	6F	3535	211,00	227	35	90,0	187,0	49,0	89,0	49,0	-	19,00	PHP 48-14M-170TB
		222,82	50	6F	3535	220,02	246	35	90,0	187,0	49,0	89,0	49,0	-	23,80	PHP 50-14M-170TB
		249,55	56	6F	3535	247,00	263	35	90,0	187,0	49,0	89,0	49,0	-	28,50	PHP 56-14M-170TB
		267,38	60	6F	4040	264,59	281	40	100,0	187,0	42,5	114,0	42,5	-	34,80	PHP 60-14M-170TB
		285,21	64	6F	4040	282,00	298	40	100,0	187,0	42,5	114,0	42,5	230	41,00	PHP 64-14M-170TB
		320,86	72	7	4040	318,00	-	40	100,0	187,0	42,5	114,0	42,5	230	46,90	PHP 72-14M-170TB
		356,51	80	7	4040	354,00	-	40	100,0	187,0	42,5	114,0	42,5	230	48,00	PHP 80-14M-170TB
		401,07	90	7	4040	398,00	-	40	100,0	187,0	42,5	114,0	42,5	230	52,50	PHP 90-14M-170TB
		499,11	112	7	5050	496,00	-	70	125,0	187,0	30,0	127,0	30,0	242	74,50	PHP 112-14M-170TB
		641,71	144	8	5050	639,00	-	70	125,0	187,0	30,0	127,0	30,0	394	91,00	PHP 144-14M-170TB
		748,86	168	8	5050	746,00	-	70	125,0	187,0	30,0	127,0	30,0	394	116,00	PHP 168-14M-170TB
		855,62	192	8	5050	853,00	-	70	125,0	187,0	30,0	127,0	30,0	394	134,00	PHP 192-14M-170TB
		962,57	216	8	5050	960,00	-	70	125,0	187,0	30,0	127,0	30,0	394	146,50	PHP 216-14M-170TB

¹⁾ Mass does not include bushings.

Classical timing pulleys

XL Pilot bore (RSB) | L Pilot bore (RSB)

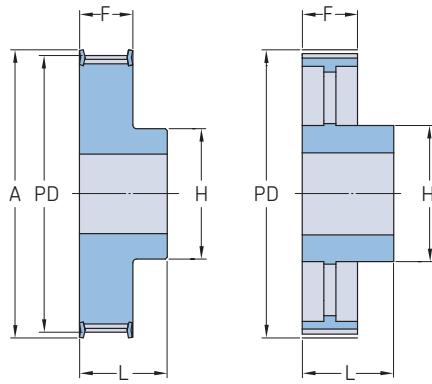


Section	Belt width	Pitch diameter PD	Number of teeth	Pulley type	Dimensions							Mass	Designation
					Outer diameter OD	A	B Min.	Max.	H	F	L		
-	mm	-	-	mm	-	-	-	-	-	-	kg	-	
XL	6,4 and 9,5	16,17	10	1F	15,67	23	5	5	9,5	14,3	19,8	0,02	PHP 10XL037RSB
		17,79	11	1F	17,29	23	5	5	9,5	14,3	19,8	0,02	PHP 11XL037RSB
		19,40	12	1F	18,90	25	5	8	12,7	14,3	19,8	0,03	PHP 12XL037RSB
		21,02	13	1F	20,52	25	6	8	12,7	14,3	19,8	0,03	PHP 13XL037RSB
		22,64	14	1F	22,14	28	6	9	14,3	14,3	19,8	0,04	PHP 14XL037RSB
		24,26	15	1F	23,76	28	6	11	15,9	14,3	19,8	0,04	PHP 15XL037RSB
		25,87	16	1F	25,37	32	6	12	17,5	14,3	19,8	0,05	PHP 16XL037RSB
		27,49	17	1F	26,99	36	6	13	20,0	14,3	19,8	0,05	PHP 17XL037RSB
		29,11	18	1F	28,61	36	6	13	20,6	14,3	19,8	0,06	PHP 18XL037RSB
		30,72	19	1F	30,22	36	6	13	20,6	14,3	19,8	0,07	PHP 19XL037RSB
		32,34	20	1F	31,84	38	6	15	23,8	14,3	22,2	0,08	PHP 20XL037RSB
		33,96	21	1F	33,46	38	6	15	23,8	14,3	22,2	0,09	PHP 21XL037RSB
		35,57	22	1F	35,07	42	6	16	25,4	14,3	22,2	0,10	PHP 22XL037RSB
		38,81	24	1F	38,31	44	6	18	27,0	14,3	22,2	0,12	PHP 24XL037RSB
		42,04	26	1F	41,54	48	6	20	30,0	14,3	22,2	0,14	PHP 26XL037RSB
		43,66	27	1F	43,16	48	6	20	30,0	14,3	22,2	0,15	PHP 27XL037RSB
		45,28	28	1F	44,78	51	6	20	30,2	14,3	22,2	0,16	PHP 28XL037RSB
		46,89	29	1F	46,39	51	6	20	30,2	14,3	22,2	0,17	PHP 29XL037RSB
		48,51	30	1F	48,01	54	6	24	34,9	14,3	22,2	0,19	PHP 30XL037RSB
		51,74	32	1	51,24	57	8	25	40,0	14,3	25,4	0,11	PHP 32XL037RSB
		54,98	34	1	54,48	-	8	25	38,0	14,3	25,4	0,11	PHP 34XL037RSB
		56,60	35	1	56,10	-	8	25	38,0	14,3	25,4	0,12	PHP 35XL037RSB
		58,21	36	1	57,71	-	8	30	45,0	14,3	25,4	0,13	PHP 36XL037RSB
		61,45	38	1	60,95	-	8	30	45,0	14,3	25,4	0,15	PHP 38XL037RSB
		64,68	40	1	64,18	-	8	30	45,0	14,3	25,4	0,17	PHP 40XL037RSB
		67,91	42	1	67,41	-	8	30	45,0	14,3	25,4	0,20	PHP 42XL037RSB
		71,15	44	1	70,65	-	8	30	45,0	14,3	25,4	0,15	PHP 44XL037RSB
		72,77	45	1	72,27	-	8	30	45,0	14,3	25,4	0,15	PHP 45XL037RSB
		77,62	48	1	77,12	-	8	30	45,0	14,3	25,4	0,16	PHP 48XL037RSB
		97,02	60	1	96,52	-	8	30	45,0	14,3	25,4	0,18	PHP 60XL037RSB
		116,43	72	1	115,93	-	8	30	45,0	14,3	25,4	0,23	PHP 72XL037RSB
		L	12,7	30,32	10	1F	29,56	36	6	14	22,0	19,0	26,0
33,35	11			1F	32,59	39	6	14	22,0	19,0	26,0	0,13	PHP 11L050RSB
36,38	12			1F	35,62	42	6	20	28,0	19,0	30,0	0,19	PHP 12L050RSB
39,41	13			1F	38,65	45	6	20	28,0	19,0	30,0	0,21	PHP 13L050RSB
42,45	14			1F	41,69	48	8	20	28,0	19,0	30,0	0,23	PHP 14L050RSB
45,48	15			1F	44,72	51	8	23	32,0	19,0	30,0	0,27	PHP 15L050RSB
48,51	16			1F	47,75	54	8	24	36,0	19,0	32,0	0,34	PHP 16L050RSB
51,54	17			1F	50,78	57	10	24	38,0	19,0	32,0	0,38	PHP 17L050RSB
54,57	18			1F	53,81	60	10	27	40,0	19,0	32,0	0,41	PHP 18L050RSB
57,61	19			1F	56,85	63	10	27	40,0	19,0	32,0	0,45	PHP 19L050RSB
60,64	20			1F	59,88	66	10	30	46,0	19,0	32,0	0,50	PHP 20L050RSB
63,67	21			1F	62,91	69	10	30	46,0	19,0	32,0	0,55	PHP 21L050RSB
66,70	22			1F	65,94	72	10	33	50,0	19,0	32,0	0,62	PHP 22L050RSB
69,73	23			1F	68,97	78	10	33	50,0	19,0	26,0	0,65	PHP 23L050RSB
72,77	24			1F	72,01	78	12	33	50,0	19,0	26,0	0,68	PHP 24L050RSB
75,80	25			1F	75,04	85	12	33	50,0	19,0	26,0	0,74	PHP 25L050RSB
78,83	26			1F	78,07	85	12	33	50,0	19,0	26,0	0,82	PHP 26L050RSB
81,86	27			1F	81,10	91	12	33	50,0	19,0	26,0	0,85	PHP 27L050RSB
84,89	28			1F	84,13	91	12	33	50,0	19,0	26,0	0,92	PHP 28L050RSB
87,93	29			1F	87,17	91	12	33	50,0	19,0	26,0	1,00	PHP 29L050RSB
90,96	30			1F	90,20	97	12	33	50,0	19,0	26,0	1,10	PHP 30L050RSB
93,99	31			1F	93,23	103	12	33	50,0	19,0	26,0	1,14	PHP 31L050RSB

All XL pulleys are made from aluminium with 2 set screws at 90°. Where keyway is required, reduce maximum bore by twice keyway depth.

Classical timing pulleys

L Pilot bore (RSB)



Type 1F

Type 5

Section	Belt width	Pitch diameter	Number of teeth	Pulley type	Dimensions						Mass	Designation			
					Outer diameter OD	A	B Min.	Max.	H	F			L		
-	mm		-	-	mm						kg	-			
L	12,7	97,02	32	1F	96,26	103	12	33	50,0	19,0	26,0	1,19	PHP 32L050RSB		
		100,05	33	1F	99,29	106	12	33	50,0	19,0	26,0	1,25	PHP 33L050RSB		
		103,08	34	1F	102,32	115	12	33	50,0	19,0	26,0	1,31	PHP 34L050RSB		
		106,12	35	1F	105,36	115	12	33	50,0	19,0	26,0	1,37	PHP 35L050RSB		
		109,15	36	1F	108,39	115	12	33	50,0	19,0	26,0	1,43	PHP 36L050RSB		
		115,21	38	1F	114,45	127	12	33	50,0	19,0	26,0	1,22	PHP 38L050RSB		
		121,28	40	1F	120,52	127	12	33	50,0	19,0	26,0	1,26	PHP 40L050RSB		
		127,34	42	1F	126,58	139	12	33	50,0	19,0	26,0	1,31	PHP 42L050RSB		
		133,40	44	1F	132,64	139	12	33	50,0	19,0	28,0	1,43	PHP 44L050RSB		
		136,44	45	1F	135,68	152	12	33	50,0	19,0	28,0	1,49	PHP 45L050RSB		
		145,53	48	1F	144,77	152	12	33	50,0	19,0	28,0	1,55	PHP 48L050RSB		
		151,60	50	5	150,84	-	12	33	50,0	19,0	28,0	1,66	PHP 50L050RSB		
		157,66	52	5	156,90	-	12	33	50,0	19,0	28,0	1,85	PHP 52L050RSB		
		169,79	56	5	169,03	-	12	33	50,0	19,0	28,0	1,97	PHP 56L050RSB		
		172,82	57	5	172,06	-	12	33	50,0	19,0	28,0	2,09	PHP 57L050RSB		
		191,91	60	5	191,15	-	15	45	50,0	19,0	42,0	2,30	PHP 60L050RSB		
		218,30	72	5	217,54	-	15	45	75,0	19,0	42,0	2,50	PHP 72L050RSB		
		230,43	76	5	229,67	-	15	45	75,0	19,0	42,0	2,70	PHP 76L050RSB		
		254,68	84	5	253,92	-	15	45	75,0	19,0	42,0	2,90	PHP 84L050RSB		
		283,03	95	5	282,27	-	15	45	75,0	19,0	42,0	3,10	PHP 95L050RSB		
		291,06	96	5	290,30	-	15	45	75,0	19,0	42,0	3,30	PHP 96L050RSB		
		L	19,1	30,32	10	1F	29,56	36	6	14	22,0	25,4	32,0	0,15	PHP 10L075RSB
				33,35	11	1F	32,59	39	6	14	22,0	25,4	32,0	0,20	PHP 11L075RSB
				36,38	12	1F	35,62	42	8	20	28,0	25,4	38,0	0,23	PHP 12L075RSB
39,41	13			1F	38,65	45	8	20	28,0	25,4	38,0	0,26	PHP 13L075RSB		
42,45	14			1F	41,69	48	8	20	28,0	25,4	38,0	0,28	PHP 14L075RSB		
45,48	15			1F	44,72	51	8	23	32,0	25,4	38,0	0,36	PHP 15L075RSB		
48,51	16			1F	47,75	54	8	24	36,0	25,4	41,0	0,45	PHP 16L075RSB		
51,54	17			1F	50,78	57	10	24	38,0	25,4	41,0	0,50	PHP 17L075RSB		
54,57	18			1F	53,81	60	10	27	40,0	25,4	41,0	0,55	PHP 18L075RSB		
57,61	19			1F	56,85	63	10	27	40,0	25,4	41,0	0,60	PHP 19L075RSB		
60,64	20			1F	59,88	66	10	30	46,0	25,4	41,0	0,65	PHP 20L075RSB		
63,67	21			1F	62,91	69	10	30	46,0	25,4	41,0	0,70	PHP 21L075RSB		
66,70	22			1F	65,94	72	10	33	50,0	25,4	41,0	0,75	PHP 22L075RSB		
69,73	23			1F	68,97	78	10	33	50,0	25,4	41,0	0,81	PHP 23L075RSB		
72,77	24			1F	72,01	79	12	33	50,0	25,4	32,0	0,85	PHP 24L075RSB		
75,80	25			1F	75,04	85	12	33	50,0	25,4	32,0	0,94	PHP 25L075RSB		
78,83	26			1F	78,07	85	12	33	50,0	25,4	32,0	1,02	PHP 26L075RSB		
81,86	27			1F	81,10	91	12	33	50,0	25,4	32,0	1,09	PHP 27L075RSB		
84,89	28			1F	84,13	91	12	33	50,0	25,4	32,0	1,20	PHP 28L075RSB		
87,93	29			1F	87,17	91	12	33	50,0	25,4	32,0	1,33	PHP 29L075RSB		
90,96	30			1F	90,20	97	12	33	50,0	25,4	32,0	1,33	PHP 30L075RSB		
93,99	31			1F	93,23	103	12	33	50,0	25,4	32,0	1,39	PHP 31L075RSB		
97,02	32			1F	96,26	103	12	33	50,0	25,4	32,0	1,45	PHP 32L075RSB		
100,05	33			1F	99,29	106	12	33	50,0	25,4	32,0	1,56	PHP 33L075RSB		
103,08	34			1F	102,32	115	12	33	50,0	25,4	32,0	1,70	PHP 34L075RSB		
106,12	35			1F	105,36	115	12	33	50,0	25,4	32,0	1,78	PHP 35L075RSB		
109,15	36			1F	108,39	115	12	36	55,0	25,4	32,0	1,50	PHP 36L075RSB		
115,21	38			1F	114,45	127	12	36	55,0	25,4	32,0	1,63	PHP 38L075RSB		
121,28	40			1F	120,52	127	12	40	60,0	25,4	32,0	1,79	PHP 40L075RSB		
127,34	42			1F	126,58	139	12	40	60,0	25,4	32,0	1,95	PHP 42L075RSB		
133,40	44			1F	132,64	139	12	40	60,0	25,4	35,0	2,05	PHP 44L075RSB		
136,44	45			1F	135,68	152	12	40	60,0	25,4	35,0	2,10	PHP 45L075RSB		

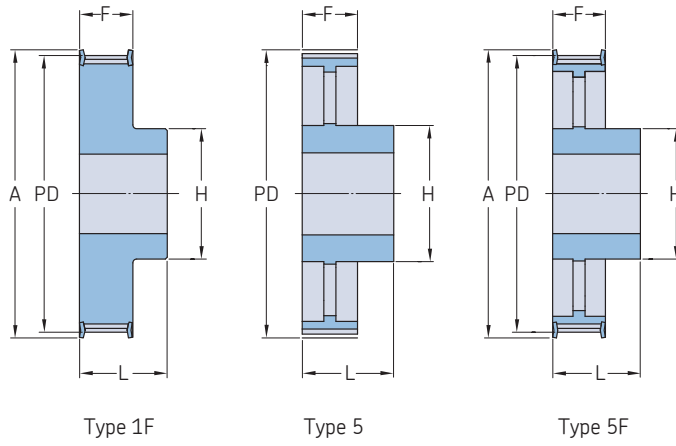
Classical timing pulleys

L Pilot bore (RSB) | H Pilot bore (RSB)

Section	Belt width	Pitch diameter	Number of teeth	Pulley type	Dimensions						Mass	Designation			
					Outer diameter OD	A	B Min.	Max.	H	F			L		
-	mm	PD	-	-	mm						kg	-			
L	19,1	145,53	48	1F	144,77	152	12	40	60,0	25,4	35,0	2,15	PHP 48L075RSB		
		151,60	50	5	150,84	-	12	40	60,0	25,4	35,0	2,25	PHP 50L075RSB		
		157,66	52	5	156,90	-	12	40	60,0	25,4	35,0	2,55	PHP 52L075RSB		
		169,79	56	5	169,03	-	12	40	60,0	25,4	35,0	2,78	PHP 56L075RSB		
		172,82	57	5	172,06	-	12	40	60,0	25,4	35,0	2,91	PHP 57L075RSB		
		181,91	60	5	181,15	-	15	45	75,0	25,4	45,0	3,10	PHP 60L075RSB		
		218,30	72	5	217,54	-	15	45	75,0	25,4	45,0	3,29	PHP 72L075RSB		
		230,43	76	5	229,67	-	15	45	75,0	25,4	45,0	3,48	PHP 76L075RSB		
		254,67	84	5	253,91	-	15	45	75,0	25,4	45,0	3,67	PHP 84L075RSB		
		283,03	95	5	282,27	-	15	45	75,0	25,4	45,0	3,76	PHP 95L075RSB		
		291,06	96	5	290,30	-	15	45	75,0	25,4	45,0	3,85	PHP 96L075RSB		
		363,83	120	5	363,07	-	15	70	120,0	25,4	45,0	4,50	PHP 120L075RSB		
		L	25,4	30,32	10	1F	29,56	36	6	14	22,0	32,0	38,0	0,18	PHP 10L100RSB
				33,35	11	1F	32,59	39	6	14	22,0	32,0	38,0	0,20	PHP 11L100RSB
				36,38	12	1F	35,62	42	8	20	28,0	32,0	45,0	0,25	PHP 12L100RSB
				39,41	13	1F	38,65	45	8	20	28,0	32,0	45,0	0,30	PHP 13L100RSB
				42,45	14	1F	41,69	48	8	20	28,0	32,0	45,0	0,34	PHP 14L100RSB
				45,48	15	1F	44,72	51	8	23	32,0	32,0	45,0	0,40	PHP 15L100RSB
				48,51	16	1F	47,75	54	8	24	36,0	32,0	45,0	0,48	PHP 16L100RSB
				51,54	17	1F	50,78	57	10	24	38,0	32,0	45,0	0,57	PHP 17L100RSB
54,57	18			1F	53,81	60	10	27	40,0	32,0	45,0	0,62	PHP 18L100RSB		
57,61	19			1F	56,85	63	10	27	40,0	32,0	45,0	0,69	PHP 19L100RSB		
60,64	20			1F	59,88	66	10	30	46,0	32,0	45,0	0,76	PHP 20L100RSB		
63,67	21			1F	62,91	69	10	30	46,0	32,0	45,0	0,82	PHP 21L100RSB		
66,70	22			1F	65,94	72	10	33	50,0	32,0	45,0	0,92	PHP 22L100RSB		
69,73	23			1F	68,97	75	10	33	50,0	32,0	38,0	0,98	PHP 23L100RSB		
72,77	24			1F	72,01	78	12	33	50,0	32,0	38,0	1,06	PHP 24L100RSB		
75,80	25			1F	75,04	81	12	33	50,0	32,0	38,0	1,14	PHP 25L100RSB		
78,83	26			1F	78,07	84	12	33	50,0	32,0	38,0	1,24	PHP 26L100RSB		
81,86	27			1F	81,10	87	12	33	50,0	32,0	38,0	1,33	PHP 27L100RSB		
84,89	28			1F	84,13	90	12	33	50,0	32,0	38,0	1,40	PHP 28L100RSB		
87,93	29			1F	87,17	93	12	33	50,0	32,0	38,0	1,70	PHP 29L100RSB		
90,96	30			1F	90,20	96	12	33	50,0	32,0	38,0	1,70	PHP 30L100RSB		
97,02	32			1F	96,26	103	12	33	50,0	32,0	38,0	1,80	PHP 32L100RSB		
100,05	33			1F	99,29	106	12	33	50,0	32,0	38,0	1,92	PHP 33L100RSB		
103,08	34			1F	102,32	110	12	33	50,0	32,0	38,0	2,09	PHP 34L100RSB		
106,12	35			1F	105,36	115	12	33	50,0	32,0	38,0	2,19	PHP 35L100RSB		
109,15	36			1F	108,39	120	12	36	55,0	32,0	32,0	1,50	PHP 36L100RSB		
115,21	38			1F	114,45	127	12	36	55,0	32,0	32,0	1,77	PHP 38L100RSB		
121,28	40			1F	120,52	135	12	40	60,0	32,0	32,0	1,90	PHP 40L100RSB		
127,34	42			1F	126,58	144	12	40	60,0	32,0	32,0	2,11	PHP 42L100RSB		
133,40	44			1F	132,64	153	12	40	60,0	32,0	35,0	2,30	PHP 44L100RSB		
136,44	45			1F	135,68	156	12	40	60,0	32,0	35,0	2,40	PHP 45L100RSB		
145,53	48			1F	144,77	152	12	40	60,0	32,0	35,0	2,49	PHP 48L100RSB		
151,60	50			5	150,84	-	12	40	60,0	32,0	35,0	2,68	PHP 50L100RSB		
157,66	52			5	156,90	-	12	40	60,0	32,0	35,0	2,87	PHP 52L100RSB		
169,79	56			5	169,03	-	12	40	60,0	32,0	35,0	3,06	PHP 56L100RSB		
172,82	57			5	172,06	-	12	40	60,0	32,0	35,0	3,25	PHP 57L100RSB		
191,91	60			5	191,15	-	15	45	75,0	32,0	45,0	3,44	PHP 60L100RSB		
218,30	72			5	217,54	-	15	45	75,0	32,0	45,0	3,63	PHP 72L100RSB		
230,43	76			5	229,67	-	15	45	75,0	32,0	45,0	3,82	PHP 76L100RSB		
254,68	84			5	253,92	-	15	45	75,0	32,0	45,0	4,01	PHP 84L100RSB		
283,03	95			5	282,27	-	15	45	75,0	32,0	45,0	4,11	PHP 95L100RSB		
291,06	96			5	290,30	-	15	45	75,0	32,0	45,0	4,20	PHP 96L100RSB		
363,83	120			5	363,07	-	15	70	120,0	32,0	45,0	5,00	PHP 120L100RSB		
H	19,1			56,60	14	1F	55,23	63	10	27	40,0	27,0	40,0	0,50	PHP 14H075RSB
				60,64	15	1F	59,27	67	10	30	46,0	27,0	40,0	0,55	PHP 15H075RSB
				64,68	16	1F	63,31	71	10	30	45,0	27,0	40,0	0,60	PHP 16H075RSB
				68,72	17	1F	67,35	75	10	30	46,0	27,0	40,0	0,70	PHP 17H075RSB
				72,77	18	1F	71,40	79	12	36	55,0	27,0	40,0	0,80	PHP 18H075RSB
				76,81	19	1F	75,44	83	12	40	60,0	27,0	40,0	1,00	PHP 19H075RSB
				80,85	20	1F	79,48	87	12	41	62,0	27,0	40,0	1,10	PHP 20H075RSB
		84,89	21	1F	83,52	91	12	43	67,0	27,0	40,0	1,20	PHP 21H075RSB		
		88,94	22	1F	87,57	95	12	45	70,0	27,0	40,0	1,40	PHP 22H075RSB		
		92,98	23	1F	91,61	98	12	46	72,0	27,0	40,0	1,50	PHP 23H075RSB		
		97,02	24	1F	95,65	103	12	47	75,0	27,0	40,0	1,60	PHP 24H075RSB		
		101,06	25	1F	99,69	107	12	47	75,0	27,0	40,0	1,70	PHP 25H075RSB		
		105,11	26	1F	103,74	111	15	54	80,0	27,0	40,0	1,80	PHP 26H075RSB		
		109,15	27	1F	107,78	115	15	54	80,0	27,0	40,0	1,90	PHP 27H075RSB		
		113,19	28	1F	111,82	119	15	54	80,0	27,0	40,0	2,00	PHP 28H075RSB		
		117,23	29	1F	115,86	123	15	54	80,0	27,0	40,0	2,05	PHP 29H075RSB		
		121,28	30	1F	119,91	127	15	54	80,0	27,0	40,0	2,10	PHP 30H075RSB		
		125,32	31	1F	123,95	131	15	54	80,0	27,0	40,0	2,15	PHP 31H075RSB		

Classical timing pulleys

H Pilot bore (RSB)



Section	Belt width	Pitch diameter PD	Number of teeth	Pulley type	Dimensions Outer diameter OD	Dimensions					Mass	Designation		
						A	B Min.	Max.	H	F			L	
		mm	-	-	mm						kg	-		
H	19,1	129,36	32	1F	127,99	135	15	54	80,0	27,0	40,0	2,20	PHP 32H075RSB	
		133,40	33	1F	132,03	142	15	54	80,0	27,0	40,0	2,25	PHP 33H075RSB	
		137,45	34	1F	136,08	142	15	54	80,0	27,0	40,0	2,30	PHP 34H075RSB	
		141,49	35	1F	140,12	151	15	54	80,0	27,0	40,0	2,35	PHP 35H075RSB	
		145,53	36	1F	144,16	151	20	54	80,0	27,0	40,0	2,40	PHP 36H075RSB	
		153,62	38	1F	152,25	158	20	54	80,0	27,0	40,0	2,60	PHP 38H075RSB	
	161,70	40	1F	160,33	168	20	54	80,0	27,0	40,0	2,80	PHP 40H075RSB		
	169,79	42	1F	168,42	184	20	54	80,0	27,0	40,0	2,90	PHP 42H075RSB		
	177,87	44	5F	176,50	184	20	48	80,0	27,0	40,0	2,70	PHP 44H075RSB		
	181,91	45	5F	180,54	192	20	54	90,0	27,0	45,0	2,85	PHP 45H075RSB		
	194,04	48	5F	192,67	200	20	54	90,0	27,0	45,0	3,00	PHP 48H075RSB		
	202,13	50	5	200,76	-	20	54	90,0	27,0	45,0	3,25	PHP 50H075RSB		
	H	19,1 and 25,4	56,60	14	1F	55,23	63	10	27	40,0	33,3	45,0	0,65	PHP 14H100RSB
			60,64	15	1F	59,27	67	10	30	46,0	33,3	45,0	0,75	PHP 15H100RSB
			64,67	16	1F	63,30	71	10	30	46,0	33,3	45,0	0,85	PHP 16H100RSB
			68,72	17	1F	67,35	75	10	30	46,0	33,3	45,0	0,97	PHP 17H100RSB
			72,77	18	1F	71,40	79	12	30	55,0	33,3	45,0	1,10	PHP 18H100RSB
			76,81	19	1F	75,44	83	12	36	60,0	33,3	45,0	1,20	PHP 19H100RSB
80,85			20	1F	79,48	87	12	41	62,0	33,3	45,0	1,40	PHP 20H100RSB	
84,89			21	1F	83,52	91	12	43	67,0	33,3	45,0	1,60	PHP 21H100RSB	
88,94			22	1F	87,57	95	12	45	70,0	33,3	45,0	1,70	PHP 22H100RSB	
92,98			23	1F	91,61	98	12	46	72,0	33,3	45,0	1,83	PHP 23H100RSB	
97,03			24	1F	95,66	103	12	47	75,0	33,3	45,0	1,95	PHP 24H100RSB	
101,06			25	1F	99,69	107	12	47	75,0	33,3	45,0	2,19	PHP 25H100RSB	
105,11			26	1F	103,74	111	15	54	80,0	33,3	45,0	2,43	PHP 26H100RSB	
109,15			27	1F	107,78	115	15	54	80,0	33,3	45,0	2,57	PHP 27H100RSB	
113,18			28	1F	111,81	119	15	54	80,0	33,3	45,0	2,70	PHP 28H100RSB	
117,23			29	1F	115,86	123	15	54	80,0	33,3	45,0	2,95	PHP 29H100RSB	
121,29			30	1F	119,92	127	15	54	80,0	33,3	45,0	3,20	PHP 30H100RSB	
125,32			31	1F	123,95	131	15	54	80,0	33,3	45,0	3,35	PHP 31H100RSB	
129,36		32	1F	127,99	135	20	54	80,0	33,3	45,0	3,50	PHP 32H100RSB		
133,40		33	1F	132,03	142	20	54	80,0	33,3	45,0	3,78	PHP 33H100RSB		
137,45		34	1F	136,08	142	20	54	80,0	33,3	45,0	4,05	PHP 34H100RSB		
141,49		35	1F	140,12	151	20	54	80,0	33,3	45,0	4,35	PHP 35H100RSB		
145,53		36	1F	144,16	151	20	54	80,0	33,3	45,0	4,65	PHP 36H100RSB		
153,62		38	1F	152,25	158	20	54	80,0	33,3	45,0	4,98	PHP 38H100RSB		
161,70		40	1F	160,33	168	20	54	80,0	33,3	45,0	5,30	PHP 40H100RSB		
169,79		42	1F	168,42	184	20	54	80,0	33,3	45,0	5,50	PHP 42H100RSB		
177,87		44	5F	176,50	184	20	48	80,0	33,3	50,0	4,00	PHP 44H100RSB		
181,91		45	5F	180,54	192	20	54	80,0	33,3	50,0	4,25	PHP 45H100RSB		
194,03		48	5F	192,66	200	20	54	90,0	33,3	50,0	4,50	PHP 48H100RSB		
202,13		50	5	200,76	-	20	54	90,0	33,3	50,0	4,94	PHP 50H100RSB		
210,21	52	5	208,84	-	20	54	90,0	33,3	50,0	5,38	PHP 52H100RSB			
230,42	57	5	229,05	-	20	54	90,0	33,3	50,0	5,82	PHP 57H100RSB			
234,47	58	5	233,10	-	20	54	90,0	33,3	50,0	5,82	PHP 58H100RSB			
242,55	60	5	241,18	-	20	70	120,0	33,3	50,0	6,25	PHP 60H100RSB			
282,98	70	5	281,61	-	20	70	120,0	33,3	55,0	7,55	PHP 70H100RSB			
291,06	72	5	289,69	-	20	70	120,0	33,3	55,0	8,85	PHP 72H100RSB			
307,23	76	5	305,86	-	20	70	120,0	33,3	55,0	9,43	PHP 76H100RSB			
339,57	84	5	338,20	-	20	70	120,0	33,3	55,0	10,00	PHP 84H100RSB			
388,08	96	5	386,71	-	24	70	120,0	33,3	60,0	10,48	PHP 96H100RSB			
485,10	120	5	483,73	-	24	70	120,0	33,3	60,0	13,10	PHP 120H100RSB			
630,63	156	5	629,26	-	24	70	130,0	33,3	60,0	17,20	PHP 156H100RSB			

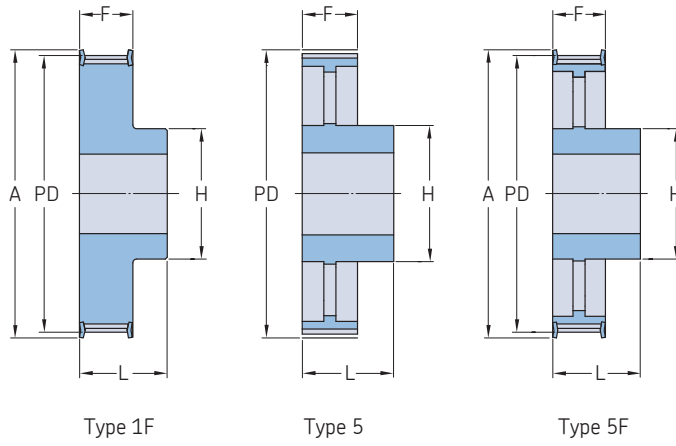
Classical timing pulleys

H Pilot bore (RSB)

Section	Belt width	Pitch diameter	Number of teeth	Pulley type	Dimensions							Mass	Designation		
					Outer diameter OD	A	B Min.	Max.	H	F	L				
-	mm	PD	-	-	mm							kg	-		
H	38,1	56,60	14	1F	55,23	63	12	27	40,0	46,0	58,0	0,82	PHP 14H150RSB		
		60,64	15	1F	59,27	67	12	30	46,0	46,0	58,0	0,96	PHP 15H150RSB		
		64,67	16	1F	63,30	71	12	30	46,0	46,0	58,0	1,10	PHP 16H150RSB		
		68,72	17	1F	67,35	75	12	30	46,0	46,0	58,0	1,30	PHP 17H150RSB		
		72,77	18	1F	71,40	79	12	30	55,0	46,0	58,0	1,50	PHP 18H150RSB		
		76,81	19	1F	75,44	83	12	36	60,0	46,0	58,0	1,70	PHP 19H150RSB		
		80,85	20	1F	79,48	87	12	41	62,0	46,0	58,0	1,80	PHP 20H150RSB		
		84,89	21	1F	83,52	91	12	43	67,0	46,0	58,0	2,20	PHP 21H150RSB		
		88,94	22	1F	87,57	95	12	45	70,0	46,0	58,0	2,30	PHP 22H150RSB		
		92,98	23	1F	91,61	98	12	46	72,0	46,0	58,0	2,45	PHP 23H150RSB		
		97,03	24	1F	95,66	103	12	47	75,0	46,0	58,0	2,60	PHP 24H150RSB		
		101,06	25	1F	99,69	107	12	47	75,0	46,0	58,0	2,90	PHP 25H150RSB		
		105,11	26	1F	103,74	111	15	54	80,0	46,0	58,0	3,20	PHP 26H150RSB		
		109,15	27	1F	107,78	115	15	54	80,0	46,0	58,0	3,30	PHP 27H150RSB		
		113,18	28	1F	111,81	119	15	54	80,0	46,0	58,0	3,39	PHP 28H150RSB		
		117,23	29	1F	115,86	123	15	54	80,0	46,0	58,0	3,75	PHP 29H150RSB		
		121,29	30	1F	119,92	127	15	54	80,0	46,0	58,0	4,10	PHP 30H150RSB		
		125,32	31	1F	123,95	131	15	54	80,0	46,0	58,0	4,43	PHP 31H150RSB		
		129,36	32	1F	127,99	135	20	54	80,0	46,0	58,0	4,77	PHP 32H150RSB		
		133,40	33	1F	132,03	142	20	54	80,0	46,0	58,0	5,08	PHP 33H150RSB		
		137,45	34	1F	136,08	142	20	54	80,0	46,0	58,0	5,40	PHP 34H150RSB		
		141,49	35	1F	140,12	151	20	54	80,0	46,0	58,0	5,71	PHP 35H150RSB		
		145,53	36	1F	144,16	151	20	54	80,0	46,0	58,0	6,02	PHP 36H150RSB		
		153,62	38	1F	152,25	158	20	54	80,0	46,0	58,0	6,76	PHP 38H150RSB		
		161,70	40	1F	160,33	168	20	54	80,0	46,0	58,0	7,50	PHP 40H150RSB		
		169,79	42	1F	168,42	184	20	54	80,0	46,0	58,0	8,00	PHP 42H150RSB		
		177,87	44	5F	176,50	184	20	48	80,0	46,0	58,0	5,00	PHP 44H150RSB		
		181,91	45	5F	180,54	192	20	48	80,0	46,0	58,0	5,05	PHP 45H150RSB		
		194,03	48	5F	192,66	200	20	54	90,0	46,0	65,0	5,10	PHP 48H150RSB		
		202,13	50	5	200,76	-	20	54	90,0	46,0	65,0	5,75	PHP 50H150RSB		
		210,21	52	5	208,84	-	20	54	90,0	46,0	65,0	6,40	PHP 52H150RSB		
		230,43	57	5	229,06	-	20	54	90,0	46,0	65,0	6,75	PHP 57H150RSB		
		234,47	58	5	233,10	-	20	54	90,0	46,0	65,0	7,05	PHP 58H150RSB		
		242,55	60	5	241,18	-	20	70	120,0	46,0	65,0	7,70	PHP 60H150RSB		
		282,98	70	5	281,61	-	20	70	120,0	46,0	65,0	8,20	PHP 70H150RSB		
		291,06	72	5	289,69	-	20	70	120,0	46,0	65,0	8,70	PHP 72H150RSB		
		307,23	76	5	305,86	-	20	70	120,0	46,0	65,0	9,67	PHP 76H150RSB		
		339,57	84	5	338,20	-	20	70	120,0	46,0	65,0	10,64	PHP 84H150RSB		
		388,08	96	5	386,71	-	24	70	120,0	46,0	65,0	13,40	PHP 96H150RSB		
		485,10	120	5	483,73	-	24	70	120,0	46,0	65,0	15,70	PHP 120H150RSB		
		630,63	156	5	629,26	-	24	70	130,0	46,0	65,0	19,10	PHP 156H150RSB		
		H	50,8	56,60	14	1F	55,23	63	12	27	40,0	59,5	70,0	1,25	PHP 14H200RSB
				60,64	15	1F	59,27	67	12	30	46,0	59,5	70,0	1,33	PHP 15H200RSB
				64,67	16	1F	63,30	71	12	30	46,0	59,5	70,0	1,40	PHP 16H200RSB
				68,72	17	1F	67,35	75	12	30	46,0	59,5	70,0	1,67	PHP 17H200RSB
				72,77	18	1F	71,40	79	12	30	55,0	59,5	70,0	1,94	PHP 18H200RSB
				76,81	19	1F	75,44	83	12	36	60,0	59,5	70,0	2,18	PHP 19H200RSB
				80,85	20	1F	79,48	87	12	41	62,0	59,5	70,0	2,43	PHP 20H200RSB
				84,89	21	1F	83,52	91	12	43	67,0	59,5	70,0	2,60	PHP 21H200RSB
				88,94	22	1F	87,57	95	12	45	70,0	59,5	70,0	2,80	PHP 22H200RSB
92,98	23			1F	91,61	98	12	46	72,0	59,5	70,0	2,89	PHP 23H200RSB		
97,03	24			1F	95,66	103	12	47	75,0	59,5	70,0	2,97	PHP 24H200RSB		
101,06	25			1F	99,69	107	12	47	75,0	59,5	70,0	2,89	PHP 25H200RSB		
105,11	26			1F	103,74	111	15	54	80,0	59,5	70,0	3,90	PHP 26H200RSB		
109,15	27			1F	107,78	115	15	54	80,0	59,5	70,0	3,44	PHP 27H200RSB		
113,18	28			1F	111,81	119	15	54	80,0	59,5	70,0	4,60	PHP 28H200RSB		
117,23	29			1F	115,86	123	15	54	80,0	59,5	70,0	4,80	PHP 29H200RSB		
121,29	30			1F	119,92	127	15	54	80,0	59,5	70,0	5,00	PHP 30H200RSB		
125,32	31			1F	123,95	131	15	54	80,0	59,5	70,0	5,47	PHP 31H200RSB		
129,36	32			1F	127,99	135	20	54	80,0	59,5	70,0	5,93	PHP 32H200RSB		
133,40	33			1F	132,03	142	20	54	80,0	59,5	70,0	6,33	PHP 33H200RSB		
137,45	34			1F	136,08	142	20	54	80,0	59,5	70,0	6,73	PHP 34H200RSB		
141,49	35			1F	140,12	151	20	54	80,0	59,5	70,0	7,13	PHP 35H200RSB		
145,53	36			1F	144,16	151	20	54	80,0	59,5	70,0	7,53	PHP 36H200RSB		
153,62	38			1F	152,25	158	20	54	80,0	59,5	70,0	8,32	PHP 38H200RSB		
161,70	40			1F	160,33	168	20	54	80,0	59,5	70,0	9,11	PHP 40H200RSB		
169,79	42			1F	168,42	184	20	54	80,0	59,5	70,0	9,70	PHP 42H200RSB		
177,87	44			5F	176,50	184	20	48	80,0	59,5	70,0	5,00	PHP 44H200RSB		
181,91	45			5F	180,54	192	20	48	80,0	59,5	70,0	5,37	PHP 45H200RSB		
194,03	48			5F	192,66	200	20	54	90,0	59,5	75,0	5,73	PHP 48H200RSB		
202,13	50			5	200,76	-	20	54	90,0	59,5	75,0	6,62	PHP 50H200RSB		
210,21	52			5	208,84	-	20	54	90,0	59,5	75,0	7,50	PHP 52H200RSB		
230,43	57			5	229,06	-	20	54	90,0	59,5	75,0	8,76	PHP 57H200RSB		

Classical timing pulleys

H Pilot bore (RSB) | XH Pilot bore (RSB)



Section	Belt width	Pitch diameter PD	Number of teeth	Pulley type	Dimensions						Mass	Designation	
					Outer diameter OD	A	B Min.	Max.	H	F			L
		mm	-	-	mm						kg	-	
H	50,8	234,47	58	5	233,10	-	20	54	90,0	59,5	75,0	8,39	PHP 58H200RSB
		242,55	60	5	241,18	-	20	70	120,0	59,5	75,0	9,27	PHP 60H200RSB
		282,98	70	5	281,61	-	20	70	120,0	59,5	75,0	9,80	PHP 70H200RSB
		291,06	72	5	289,69	-	20	70	120,0	59,5	75,0	10,32	PHP 72H200RSB
		307,23	76	5	305,86	-	20	70	120,0	59,5	75,0	11,41	PHP 76H200RSB
		339,57	84	5	338,20	-	20	70	120,0	59,5	75,0	12,50	PHP 84H200RSB
		388,08	96	5	386,71	-	24	70	120,0	59,5	75,0	14,00	PHP 96H200RSB
		485,10	120	5	483,73	-	24	70	120,0	59,5	75,0	18,10	PHP 120H200RSB
		630,63	156	5	629,26	-	24	70	130,0	59,5	75,0	22,00	PHP 156H200RSB
		56,60	14	1F	55,23	63	14	27	40,0	85,5	100,0	1,80	PHP 14H300RSB
		60,64	15	1F	59,27	67	14	30	46,0	85,5	100,0	1,90	PHP 15H300RSB
		64,67	16	1F	63,30	71	14	30	46,0	85,5	100,0	2,00	PHP 16H300RSB
		68,72	17	1F	67,35	75	14	30	46,0	85,5	100,0	2,24	PHP 17H300RSB
		72,77	18	1F	71,40	79	14	30	55,0	85,5	100,0	2,47	PHP 18H300RSB
		76,81	19	1F	75,44	83	14	36	60,0	85,5	100,0	2,90	PHP 19H300RSB
80,85	20	1F	79,48	87	15	41	62,0	85,5	100,0	3,20	PHP 20H300RSB		
84,89	21	1F	83,52	91	15	43	67,0	85,5	100,0	3,60	PHP 21H300RSB		
88,94	22	1F	87,57	95	15	45	70,0	85,5	100,0	4,00	PHP 22H300RSB		
92,98	23	1F	91,61	98	15	46	72,0	85,5	100,0	4,35	PHP 23H300RSB		
97,03	24	1F	95,66	103	15	47	75,0	85,5	100,0	4,70	PHP 24H300RSB		
101,06	25	1F	99,69	107	15	47	75,0	85,5	100,0	5,24	PHP 25H300RSB		
105,11	26	1F	103,74	111	15	54	80,0	85,5	100,0	5,78	PHP 26H300RSB		
109,15	27	1F	107,78	115	15	54	80,0	85,5	100,0	6,16	PHP 27H300RSB		
113,18	28	1F	111,81	119	15	54	80,0	85,5	100,0	6,54	PHP 28H300RSB		
117,23	29	1F	115,86	123	15	54	80,0	85,5	100,0	6,77	PHP 29H300RSB		
121,29	30	1F	119,92	127	15	54	80,0	85,5	100,0	7,00	PHP 30H300RSB		
125,32	31	1F	123,95	131	15	54	80,0	85,5	100,0	7,83	PHP 31H300RSB		
129,36	32	1F	127,99	135	20	54	80,0	85,5	100,0	8,66	PHP 32H300RSB		
133,40	33	1F	132,03	142	20	54	80,0	85,5	100,0	9,23	PHP 33H300RSB		
137,45	34	1F	136,08	142	20	54	80,0	85,5	100,0	9,79	PHP 34H300RSB		
141,47	35	1F	140,10	151	20	54	80,0	85,5	100,0	10,36	PHP 35H300RSB		
145,53	36	1F	144,16	151	20	54	80,0	85,5	100,0	10,92	PHP 36H300RSB		
153,62	38	1F	152,25	158	20	54	80,0	85,5	100,0	12,20	PHP 38H300RSB		
161,70	40	1F	160,33	168	20	54	80,0	85,5	100,0	13,50	PHP 40H300RSB		
169,79	42	1F	168,42	184	20	54	80,0	85,5	100,0	14,50	PHP 42H300RSB		
177,87	44	5F	176,50	184	20	48	80,0	85,5	100,0	8,06	PHP 44H300RSB		
194,03	48	5F	192,66	200	20	54	90,0	85,5	100,0	9,67	PHP 48H300RSB		
202,13	50	5	200,76	-	20	54	90,0	85,5	100,0	10,87	PHP 50H300RSB		
230,43	57	5	229,06	-	20	54	90,0	85,5	100,0	11,92	PHP 57H300RSB		
234,47	58	5	233,10	-	20	54	90,0	85,5	100,0	12,07	PHP 58H300RSB		
242,55	60	5	241,18	-	20	70	120,0	85,5	100,0	13,30	PHP 60H300RSB		
291,06	72	5	289,69	-	20	70	120,0	85,5	100,0	15,70	PHP 72H300RSB		
307,24	76	5	305,87	-	20	70	120,0	85,5	100,0	16,17	PHP 76H300RSB		
339,57	84	5	338,20	-	20	70	120,0	85,5	100,0	17,10	PHP 84H300RSB		
388,09	96	5	386,72	-	24	70	120,0	85,5	100,0	20,40	PHP 96H300RSB		
485,12	120	5	483,75	-	24	70	120,0	85,5	100,0	27,80	PHP 120H300RSB		
630,63	156	5	629,26	-	24	70	130,0	85,5	100,0	35,00	PHP 156H300RSB		
XH	50,8	127,34	18	1F	124,54	141	24	67	100,0	65,1	80,0	5,00	PHP 18XH200RSB
		134,41	19	1F	131,61	146	24	67	100,0	65,1	80,0	5,50	PHP 19XH200RSB
		141,49	20	1F	138,69	155	24	67	100,0	65,1	80,0	6,00	PHP 20XH200RSB
		148,56	21	1F	145,76	169	24	73	110,0	65,1	80,0	6,60	PHP 21XH200RSB
		155,64	22	1F	152,84	169	24	73	110,0	65,1	80,0	7,20	PHP 22XH200RSB
		169,79	24	1F	166,99	183	24	80	120,0	65,1	80,0	8,60	PHP 24XH200RSB

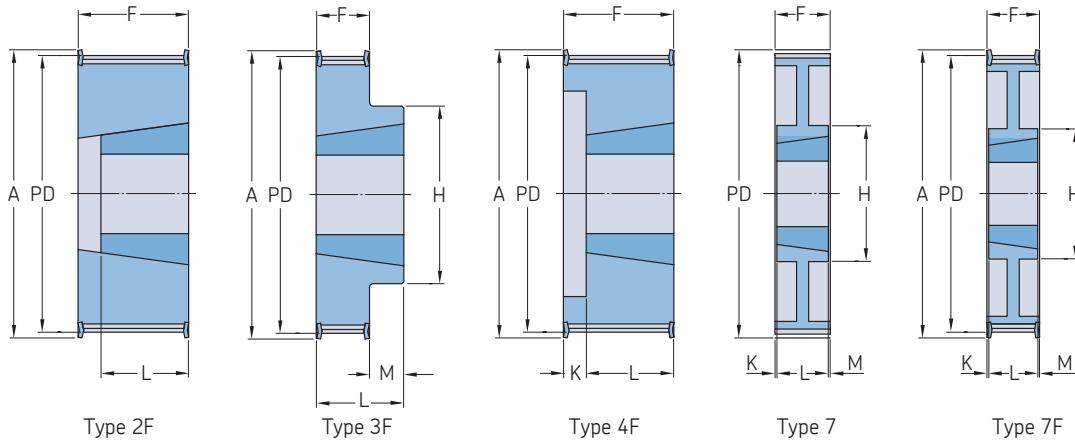
Classical timing pulleys

XH Pilot bore (RSB)

Section	Belt width	Pitch diameter	Number of teeth	Pulley type	Dimensions						Mass	Designation			
					Outer diameter OD	A	B Min.	Max.	H	F			L		
-	mm	PD	-	-	mm						kg	-			
XH	50,8	176,86	25	1F	174,06	198	24	80	120,0	65,1	80,0	9,40	PHP 25XH200RSB		
		183,93	26	1F	181,13	198	24	80	120,0	65,1	80,0	9,70	PHP 26XH200RSB		
		191,01	27	1F	188,21	212	24	80	120,0	65,1	80,0	9,90	PHP 27XH200RSB		
		198,09	28	1F	195,29	212	24	80	120,0	65,1	80,0	10,00	PHP 28XH200RSB		
		212,23	30	1F	209,43	226	24	80	120,0	65,1	80,0	10,40	PHP 30XH200RSB		
		226,38	32	1F	223,58	240	24	80	120,0	65,1	80,0	11,20	PHP 32XH200RSB		
		240,53	34	1F	237,73	256	24	80	120,0	65,1	80,0	12,60	PHP 34XH200RSB		
		268,83	38	5	266,03	-	28	100	150,0	65,1	80,0	14,60	PHP 38XH200RSB		
		282,98	40	5	280,18	-	28	100	150,0	65,1	100,0	16,00	PHP 40XH200RSB		
		339,57	48	5	336,77	-	28	100	150,0	65,1	100,0	18,40	PHP 48XH200RSB		
		424,47	60	5	421,67	-	28	100	150,0	65,1	100,0	24,30	PHP 60XH200RSB		
		XH	76,2	127,34	18	1F	124,54	141	28	67	100,0	92,1	110,0	6,80	PHP 18XH300RSB
				134,41	19	1F	131,61	146	28	67	100,0	92,1	110,0	7,10	PHP 19XH300RSB
				141,49	20	1F	138,69	155	28	67	100,0	92,1	110,0	7,40	PHP 20XH300RSB
				148,56	21	1F	145,76	169	28	73	110,0	92,1	110,0	8,20	PHP 21XH300RSB
155,64	22			1F	152,84	169	28	73	110,0	92,1	110,0	9,00	PHP 22XH300RSB		
169,79	24			1F	166,99	183	28	80	120,0	92,1	110,0	10,60	PHP 24XH300RSB		
176,86	25			1F	174,06	198	28	80	120,0	92,1	110,0	11,80	PHP 25XH300RSB		
183,93	26			1F	181,13	198	28	80	120,0	92,1	110,0	12,00	PHP 26XH300RSB		
191,01	27			1F	188,21	212	28	80	120,0	92,1	110,0	12,50	PHP 27XH300RSB		
198,09	28			1F	195,29	212	28	80	150,0	92,1	110,0	13,00	PHP 28XH300RSB		
212,23	30			1F	209,43	226	28	80	150,0	92,1	110,0	13,75	PHP 30XH300RSB		
226,38	32			1F	223,58	240	28	80	150,0	92,1	110,0	14,70	PHP 32XH300RSB		
240,53	34			1F	237,73	256	28	80	150,0	92,1	110,0	16,30	PHP 34XH300RSB		
268,83	38			5	266,03	-	32	100	150,0	92,1	120,0	18,30	PHP 38XH300RSB		
282,98	40			5	280,18	-	32	100	150,0	92,1	120,0	19,90	PHP 40XH300RSB		
339,57	48	5	336,77	-	32	100	175,0	92,1	120,0	22,50	PHP 48XH300RSB				
424,47	60	5	421,67	-	32	100	175,0	92,1	120,0	31,50	PHP 60XH300RSB				
XH	101,6	127,34	18	1F	124,54	141	32	67	100,0	119,0	132,0	8,50	PHP 18XH400RSB		
		134,41	19	1F	131,61	146	32	67	100,0	119,0	132,0	9,00	PHP 19XH400RSB		
		141,49	20	1F	138,69	155	32	67	100,0	119,0	132,0	9,40	PHP 20XH400RSB		
		148,56	21	1F	145,76	169	32	73	110,0	119,0	132,0	10,50	PHP 21XH400RSB		
		155,64	22	1F	152,84	169	32	73	110,0	119,0	132,0	11,50	PHP 22XH400RSB		
		169,79	24	1F	166,99	183	32	80	120,0	119,0	132,0	13,40	PHP 24XH400RSB		
		176,86	25	1F	174,06	198	32	80	120,0	119,0	132,0	14,50	PHP 25XH400RSB		
		183,93	26	1F	181,13	198	32	80	120,0	119,0	132,0	15,60	PHP 26XH400RSB		
		191,01	27	1F	188,21	212	32	80	120,0	119,0	132,0	15,10	PHP 27XH400RSB		
		198,09	28	1F	195,29	212	32	100	150,0	119,0	132,0	14,50	PHP 28XH400RSB		
		212,23	30	1F	209,43	227	32	100	150,0	119,0	132,0	16,00	PHP 30XH400RSB		
		226,38	32	1F	223,58	240	32	100	150,0	119,0	132,0	18,00	PHP 32XH400RSB		
		240,53	34	1F	237,73	256	32	100	150,0	119,0	132,0	20,00	PHP 34XH400RSB		
		268,83	38	5	266,03	-	32	100	150,0	119,0	132,0	22,00	PHP 38XH400RSB		
		282,98	40	5	280,18	-	32	100	150,0	119,0	132,0	24,00	PHP 40XH400RSB		
339,57	48	5	336,77	-	32	110	175,0	119,0	132,0	30,80	PHP 48XH400RSB				
424,47	60	5	421,67	-	32	110	175,0	119,0	132,0	36,20	PHP 60XH400RSB				

Classical timing pulleys

L Taper bushed

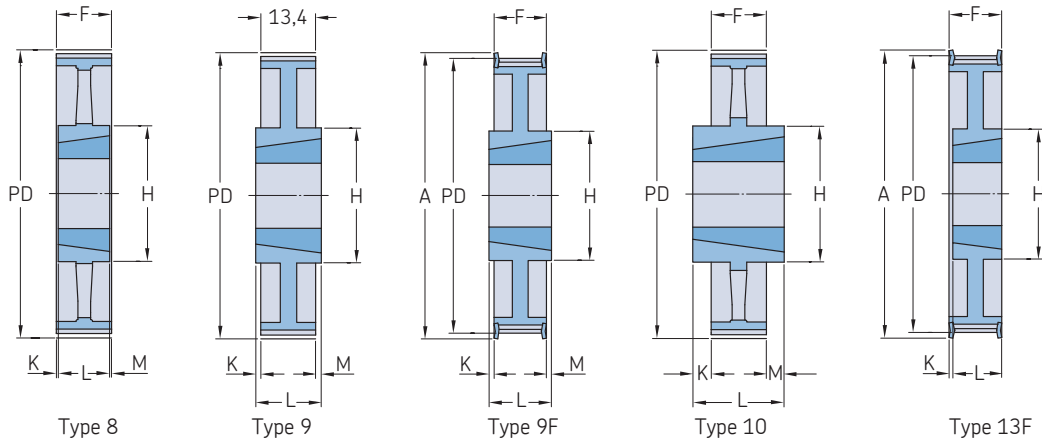


Section	Belt width	Pitch diameter	Number of teeth	Pulley type	Bushing number	Dimensions								Mass ¹⁾	Designation			
						Outer diameter OD	A	B Min.	Max.	F	K	L	M			H		
		mm	-	-	-	mm								kg	-			
L	12,7	54,57	18	3F	1108	53,81	60	9	28	19,1	-	22	3,0	45	0,18	PHP 18L050TB		
		57,61	19	3F	1108	56,85	63	9	28	19,1	-	22	3,0	45	0,21	PHP 19L050TB		
		60,64	20	3F	1108	59,88	66	9	28	19,1	-	22	3,0	47	0,24	PHP 20L050TB		
		63,67	21	3F	1108	62,91	69	9	28	19,1	-	22	3,0	49	0,30	PHP 21L050TB		
		66,70	22	3F	1108	65,94	72	9	28	19,1	-	22	3,0	53	0,36	PHP 22L050TB		
		69,73	23	3F	1108	68,97	78	9	28	19,1	-	22	3,0	54	0,39	PHP 23L050TB		
		72,77	24	3F	1108	72,01	78	9	28	19,1	-	22	3,0	54	0,42	PHP 24L050TB		
		75,80	25	3F	1108	75,04	85	9	28	19,1	-	22	3,0	56	0,49	PHP 25L050TB		
		78,83	26	3F	1108	78,07	85	9	28	19,1	-	22	3,0	60	0,54	PHP 26L050TB		
		81,86	27	3F	1108	81,10	91	9	28	19,1	-	22	3,0	62	0,61	PHP 27L050TB		
		84,89	28	3F	1108	84,13	91	9	28	19,1	-	22	3,0	63	0,64	PHP 28L050TB		
		90,06	30	3F	1108	89,30	97	9	28	19,1	-	22	3,0	70	0,77	PHP 30L050TB		
		97,02	32	3F	1108	96,26	103	9	28	19,1	-	22	3,0	74	0,89	PHP 32L050TB		
		109,15	36	3F	1108	108,39	115	9	28	19,1	-	22	3,0	85	1,18	PHP 36L050TB		
		121,28	40	3F	1610	120,52	127	14	42	19,1	-	25	6,0	90	1,35	PHP 40L050TB		
		133,40	44	3F	1610	132,64	139	14	42	19,1	-	25	6,0	90	1,60	PHP 44L050TB		
		145,53	48	9F	1610	144,77	152	14	42	19,1	-	25	6,0	92	1,80	PHP 48L050TB		
		181,91	60	9	1610	181,15	-	14	42	19,1	3,0	25	3,0	92	2,46	PHP 60L050TB		
		218,30	72	9	1610	217,54	-	14	42	19,1	3,0	25	3,0	92	3,29	PHP 72L050TB		
		254,68	84	9	1610	253,92	-	14	42	19,1	3,0	25	3,0	92	4,12	PHP 84L050TB		
		291,06	96	9	2012	290,30	-	14	50	19,1	6,5	32	6,5	111	4,55	PHP 96L050TB		
		363,83	120	9	2012	363,07	-	14	50	19,1	6,5	32	6,5	111	5,71	PHP 120L050TB		
		L	19,1	54,57	18	2F	1108	53,81	60	9	28	25,4	-	25	-	-	0,20	PHP 18L075TB
				57,61	19	2F	1108	56,85	63	9	28	25,4	-	25	-	-	0,30	PHP 19L075TB
				60,64	20	2F	1108	59,88	66	9	28	25,4	-	25	-	-	0,30	PHP 20L075TB
				63,67	21	2F	1108	62,91	69	9	28	25,4	-	25	-	-	0,40	PHP 21L075TB
				66,70	22	2F	1108	65,94	72	9	28	25,4	-	25	-	-	0,40	PHP 22L075TB
				69,73	23	2F	1108	68,97	78	9	28	25,4	-	25	-	-	0,50	PHP 23L075TB
72,77	24			2F	1108	72,01	78	9	28	25,4	-	25	-	-	0,50	PHP 24L075TB		
75,80	25			2F	1108	75,04	85	9	28	25,4	-	25	-	-	0,60	PHP 25L075TB		
78,83	26			2F	1108	78,07	85	9	28	25,4	-	25	-	-	0,70	PHP 26L075TB		
81,86	27			2F	1108	81,10	91	9	28	25,4	-	25	-	-	0,70	PHP 27L075TB		
84,89	28			2F	1108	84,13	91	9	28	25,4	-	25	-	-	0,80	PHP 28L075TB		
90,06	30			2F	1108	90,20	97	9	28	25,4	-	25	-	-	1,00	PHP 30L075TB		
97,02	32			2F	1108	96,26	103	9	28	25,4	-	25	-	-	1,10	PHP 32L075TB		
109,15	36			2F	1610	108,39	115	14	42	25,4	-	25	-	-	1,20	PHP 36L075TB		
121,28	40			2F	1610	120,52	127	14	42	25,4	-	25	-	-	1,60	PHP 40L075TB		
133,40	44			2F	1610	132,64	139	14	42	25,4	-	25	-	-	1,90	PHP 44L075TB		
145,53	48			7F	1610	144,77	152	14	42	25,4	-	25	-	92	2,20	PHP 48L075TB		
181,91	60			7	1610	181,15	-	14	42	25,4	-	25	-	92	3,00	PHP 60L075TB		
218,30	72			8	1610	217,54	-	14	42	25,4	-	25	-	92	4,00	PHP 72L075TB		
254,68	84			9	2012	253,92	-	14	50	25,4	3,5	32	3,5	106	5,20	PHP 84L075TB		
291,06	96			9	2012	290,30	-	14	50	25,4	3,5	32	3,5	106	6,50	PHP 96L075TB		
363,83	120			9	2012	363,07	-	14	50	25,4	3,5	32	3,5	106	7,60	PHP 120L075TB		
L	25,4			54,57	18	4F	1108	53,81	60	9	28	31,8	10,0	22	-	-	0,27	PHP 18L100TB
				57,61	19	4F	1108	56,85	63	9	28	31,8	10,0	22	-	-	0,30	PHP 19L100TB
				60,64	20	4F	1108	59,88	66	9	28	31,8	10,0	22	-	-	0,36	PHP 20L100TB
				63,67	21	4F	1108	62,91	69	9	28	31,8	10,0	22	-	-	0,44	PHP 21L100TB
				66,70	22	4F	1108	65,94	72	9	28	31,8	10,0	22	-	-	0,51	PHP 22L100TB
				69,73	23	4F	1108	68,97	78	9	28	31,8	10,0	22	-	-	0,54	PHP 23L100TB
		72,77	24	4F	1108	72,01	78	9	28	31,8	10,0	22	-	-	0,58	PHP 24L100TB		
		75,80	25	4F	1108	75,04	85	9	28	31,8	10,0	22	-	-	0,67	PHP 25L100TB		
		78,83	26	4F	1108	78,07	85	9	28	31,8	10,0	22	-	-	0,72	PHP 26L100TB		

¹⁾ Mass does not include bushings.

Classical timing pulleys

L Taper bushed | H Taper bushed

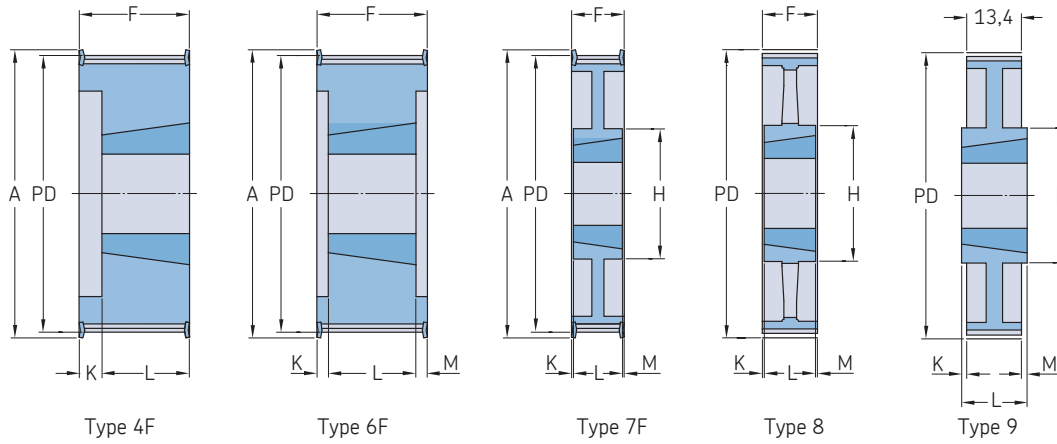


Section	Belt width	Pitch diameter	Number of teeth	Pulley type	Bushing number	Dimensions									Mass ¹⁾	Designation		
						Outer diameter OD	A	B Min.	Max.	F	K	L	M	H				
-	mm	-	-	-	-	mm	-	-	-	-	-	-	-	-	kg	-		
L	25,4	81,86	27	4F	1108	81,10	91	9	28	31,8	10,0	22	-	-	0,80	PHP 27L100TB		
		84,89	28	4F	1108	84,13	91	9	28	31,8	10,0	22	-	-	0,83	PHP 28L100TB		
		90,96	30	4F	1210	90,20	97	11	32	31,8	7,0	25	-	-	0,94	PHP 30L100TB		
		97,02	32	4F	1210	96,26	103	11	32	31,8	7,0	25	-	-	1,10	PHP 32L100TB		
		109,15	36	4F	1610	108,39	115	14	42	31,8	7,0	25	-	-	1,33	PHP 36L100TB		
		121,28	40	4F	1610	120,52	127	14	42	31,8	7,0	25	-	-	1,70	PHP 40L100TB		
		133,40	44	4F	1610	132,64	139	14	42	31,8	7,0	25	-	-	2,30	PHP 44L100TB		
		145,53	48	13F	1610	144,77	152	14	42	31,8	7,0	25	-	92	2,60	PHP 48L100TB		
		181,91	60	7	1610	181,15	-	14	42	31,8	3,5	25	3,5	92	3,76	PHP 60L100TB		
		218,30	72	10	2012	217,54	-	14	50	31,8	-	32	-	111	4,40	PHP 72L100TB		
		254,68	84	10	2012	253,92	-	14	50	31,8	-	32	-	111	5,87	PHP 84L100TB		
		291,06	96	10	2012	290,30	-	14	50	31,8	-	32	-	111	7,26	PHP 96L100TB		
		363,83	120	10	2012	363,07	-	14	50	31,8	-	32	-	111	8,50	PHP 120L100TB		
		H	19,1	56,60	14	2F	1108	55,23	62	9	28	27,0	-	22	-	-	0,48	PHP 14H075TB
				60,64	15	2F	1108	59,27	67	9	28	27,0	-	22	-	-	0,53	PHP 15H075TB
				64,67	16	2F	1108	63,30	71	9	28	27,0	-	22	-	-	0,57	PHP 16H075TB
				68,72	17	2F	1108	67,35	75	9	28	27,0	-	22	-	-	0,67	PHP 17H075TB
				72,77	18	2F	1210	71,40	79	11	32	27,0	-	25	-	-	0,76	PHP 18H075TB
76,81	19			2F	1210	75,44	83	11	32	27,0	-	25	-	-	0,95	PHP 19H075TB		
80,85	20			2F	1210	79,48	87	11	32	27,0	-	25	-	-	1,05	PHP 20H075TB		
84,89	21			2F	1210	83,52	91	11	32	27,0	-	25	-	-	1,14	PHP 21H075TB		
88,94	22			2F	1210	87,57	95	11	32	27,0	-	25	-	-	1,33	PHP 22H075TB		
92,98	23			2F	1610	91,61	98	14	42	27,0	-	25	-	-	1,43	PHP 23H075TB		
97,02	24			2F	1610	95,65	103	14	42	27,0	-	25	-	-	1,52	PHP 24H075TB		
101,06	25			2F	1610	99,69	107	14	42	27,0	-	25	-	-	1,62	PHP 25H075TB		
105,11	26			2F	1610	103,74	111	14	42	27,0	-	25	-	-	1,71	PHP 26H075TB		
109,15	27			2F	1610	107,78	115	14	42	27,0	-	25	-	-	1,81	PHP 27H075TB		
113,19	28			2F	1610	111,82	119	14	42	27,0	-	25	-	-	1,90	PHP 28H075TB		
117,23	29			2F	1610	115,86	123	14	42	27,0	-	25	-	-	1,95	PHP 29H075TB		
121,28	30			2F	1610	119,91	127	14	42	27,0	-	25	-	-	2,00	PHP 30H075TB		

¹⁾ Mass does not include bushings.

Classical timing pulleys

H Taper bushed

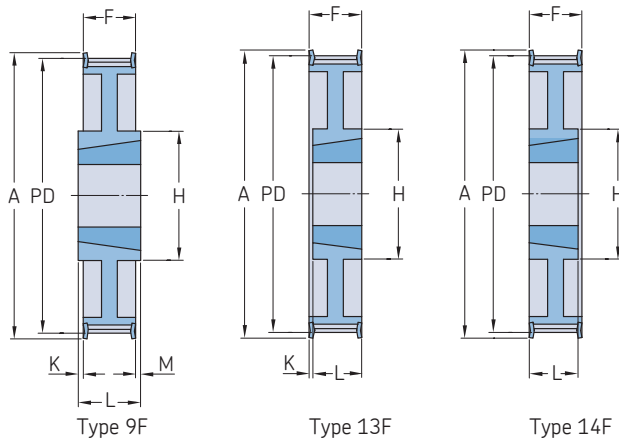


Section	Belt width	Pitch diameter	Number of teeth	Pulley type	Bushing number	Dimensions								Mass ¹⁾	Designation			
						Outer diameter OD	A	B Min.	Max.	F	K	L	M			H		
		PD	mm													kg		
Type 4F																		
H	19,1	129,36	32	14F	1610	127,99	135	14	42	27,0	-	25	-	92	2,09	PHP 32H075TB		
		133,40	33	14F	1610	132,03	142	14	42	27,0	-	25	-	92	2,14	PHP 33H075TB		
		137,45	34	14F	1610	136,08	142	14	42	27,0	-	25	-	92	2,19	PHP 34H075TB		
		141,49	35	14F	1610	140,12	151	14	42	27,0	-	25	-	92	2,24	PHP 35H075TB		
		145,53	36	14F	1610	144,16	151	14	42	27,0	-	25	-	92	2,28	PHP 36H075TB		
		153,62	38	14F	1610	152,25	158	14	42	27,0	-	25	-	92	2,47	PHP 38H075TB		
	H	25,4	161,70	40	14F	1610	160,33	168	14	42	27,0	-	25	-	92	2,66	PHP 40H075TB	
			177,87	44	9F	2012	176,50	184	14	50	27,0	2,5	32	2,5	106	2,57	PHP 44H075TB	
			194,04	48	9F	2012	192,67	200	14	50	27,0	2,5	32	2,5	106	2,85	PHP 48H075TB	
			242,55	60	9	2012	241,18	-	14	50	27,0	2,5	32	2,5	106	2,90	PHP 60H075TB	
			291,06	72	9	2012	289,69	-	14	50	27,0	2,5	32	2,5	112	3,00	PHP 72H075TB	
			339,57	84	9	2012	338,20	-	14	50	27,0	2,5	32	2,5	112	3,15	PHP 84H075TB	
		H	25,4	388,08	96	9	2517	386,71	-	16	60	27,0	9,0	45	9,0	125	3,50	PHP 96H075TB
				485,10	120	9	2517	483,73	-	16	60	27,0	9,0	45	9,0	125	4,25	PHP 120H075TB
				56,60	14	4F	1108	55,23	63	9	28	31,0	9,0	22	-	-	0,30	PHP 14H100TB
60,60				15	4F	1108	59,23	67	9	28	31,0	9,0	22	-	-	0,40	PHP 15H100TB	
64,70				16	4F	1108	63,33	71	9	28	31,0	9,0	22	-	-	0,40	PHP 16H100TB	
68,70				17	4F	1108	67,33	75	9	28	31,0	9,0	22	-	-	0,50	PHP 17H100TB	
H			25,4	72,80	18	4F	1210	71,43	79	11	32	31,0	6,0	25	-	-	0,50	PHP 18H100TB
				76,80	19	4F	1210	75,43	83	11	32	31,0	6,0	25	-	-	0,60	PHP 19H100TB
				80,80	20	4F	1210	79,43	87	11	32	31,0	6,0	25	-	-	0,80	PHP 20H100TB
	84,90			21	4F	1210	83,53	91	11	32	32,0	7,0	25	-	-	0,80	PHP 21H100TB	
	88,90			22	4F	1210	87,53	95	11	32	32,0	7,0	25	-	-	0,90	PHP 22H100TB	
	93,00			23	4F	1610	91,63	98	14	42	32,0	7,0	25	-	-	0,90	PHP 23H100TB	
	H		25,4	97,00	24	4F	1610	95,63	103	14	42	32,0	7,0	25	-	-	1,00	PHP 24H100TB
				101,10	25	4F	1610	99,73	107	14	42	32,0	7,0	25	-	-	1,10	PHP 25H100TB
				105,10	26	4F	1610	103,73	111	14	42	32,0	7,0	25	-	-	1,20	PHP 26H100TB
		109,20		27	4F	1610	107,83	115	14	42	32,0	7,0	25	-	-	1,40	PHP 27H100TB	
		113,20		28	4F	1610	111,83	119	14	42	32,0	7,0	25	-	-	1,50	PHP 28H100TB	
		121,30		30	4F	1610	119,93	127	14	42	32,0	7,0	25	-	-	1,70	PHP 30H100TB	
		H	25,4	129,40	32	13F	1610	128,03	135	14	42	32,0	7,0	25	-	92	1,70	PHP 32H100TB
				145,50	36	13F	1610	144,13	151	14	42	32,0	7,0	25	-	92	2,30	PHP 36H100TB
				161,70	40	13F	1610	160,33	168	14	42	32,0	7,0	25	-	92	2,70	PHP 40H100TB
177,90				44	14F	2012	176,53	184	14	50	32,0	7,0	32	-	106	3,70	PHP 44H100TB	
194,00				48	14F	2012	192,63	200	14	50	32,0	7,0	32	-	106	4,70	PHP 48H100TB	
242,60				60	8	2012	241,23	-	14	50	34,0	1,0	32	1,0	106	7,50	PHP 60H100TB	
H			25,4	291,10	72	8	2012	289,73	-	14	50	34,0	1,0	32	1,0	106	8,40	PHP 72H100TB
				339,60	84	8	2012	338,23	-	14	50	34,0	1,0	32	1,0	106	9,00	PHP 84H100TB
				388,10	96	9	2517	386,73	-	16	60	34,0	5,5	45	5,5	124	11,00	PHP 96H100TB
	485,10			120	9	2517	483,73	-	16	60	34,0	5,5	45	5,5	124	14,00	PHP 120H100TB	
	56,60			14	4F	1108	55,23	63	9	28	45,0	23,0	22	-	-	0,50	PHP 14H150TB	
	64,67			16	4F	1108	63,30	71	9	28	45,0	23,0	22	-	-	0,60	PHP 16H150TB	
	H		38,1	72,77	18	4F	1210	71,40	79	11	32	45,0	20,0	25	-	-	0,69	PHP 18H150TB
				76,81	19	4F	1210	75,44	83	11	32	45,0	20,0	25	-	-	0,86	PHP 19H150TB
				80,85	20	4F	1210	79,48	87	11	32	45,0	20,0	25	-	-	0,98	PHP 20H150TB
		84,89		21	4F	1210	83,52	91	11	32	45,0	20,0	25	-	-	0,98	PHP 21H150TB	
		88,94		22	4F	1210	87,57	95	11	32	45,0	20,0	25	-	-	1,10	PHP 22H150TB	
		92,98		23	4F	1610	91,61	98	14	42	45,0	20,0	25	-	-	1,16	PHP 23H150TB	
		H	38,1	97,02	24	4F	1610	95,65	103	14	42	45,0	20,0	25	-	-	1,22	PHP 24H150TB
				101,06	25	4F	1610	99,69	107	14	42	45,0	20,0	25	-	-	1,37	PHP 25H150TB
				105,11	26	4F	1610	103,74	111	14	42	45,0	20,0	25	-	-	1,51	PHP 26H150TB
109,15				27	4F	1610	107,78	115	14	42	45,0	20,0	25	-	-	1,67	PHP 27H150TB	
113,19				28	4F	1610	111,82	119	14	42	45,0	20,0	25	-	-	1,77	PHP 28H150TB	

¹⁾ Mass does not include bushings.

Classical timing pulleys

H Taper bushed

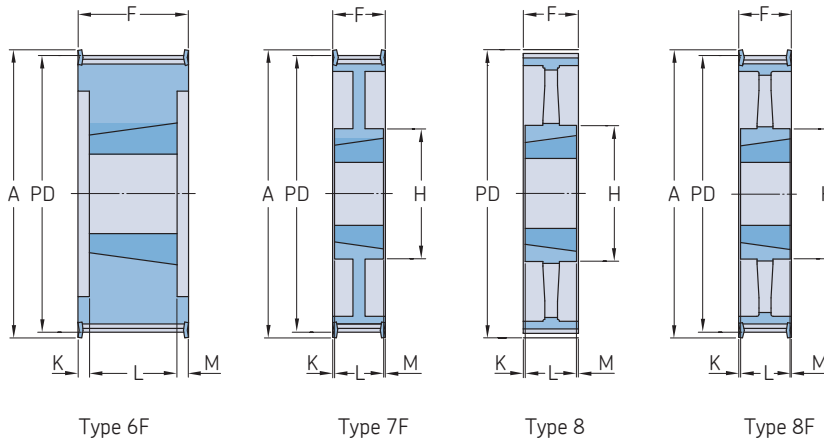


Section	Belt width	Pitch diameter	Number of teeth	Pulley type	Bushing number	Dimensions								Mass ¹⁾	Designation			
						Outer diameter OD	A	B		F	K	L	M			H		
		PD						Min.	Max.									
		mm	-	-	-	mm								kg	-			
H	38,1	121,28	30	4F	1610	119,91	127	14	42	45,0	20,0	25	-	-	2,05	PHP 30H150TB		
		129,36	32	13F	1610	127,99	135	14	42	45,0	20,0	25	-	92	2,07	PHP 32H150TB		
		145,53	36	13F	1610	144,16	151	14	42	45,0	20,0	25	-	92	2,76	PHP 36H150TB		
		161,70	40	13F	1610	160,33	168	14	42	45,0	20,0	25	-	92	3,34	PHP 40H150TB		
		177,87	44	13F	2012	176,50	184	14	50	45,0	13,0	32	-	106	5,19	PHP 44H150TB		
		194,34	48	13F	2012	192,97	200	14	50	45,0	13,0	32	-	106	5,70	PHP 48H150TB		
		242,55	60	8	2012	241,18	-	14	50	46,0	7,0	32	7,0	106	6,81	PHP 60H150TB		
		291,06	72	8	2012	289,69	-	14	50	46,0	7,0	32	7,0	106	7,79	PHP 72H150TB		
		339,57	84	8	2012	338,20	-	14	50	46,0	7,0	32	7,0	111	9,15	PHP 84H150TB		
		388,08	96	8	2517	386,71	-	16	60	46,0	0,5	45	0,5	124	13,00	PHP 96H150TB		
		485,10	120	8	2517	483,73	-	16	60	46,0	0,5	45	0,5	124	16,80	PHP 120H150TB		
		H	50,8	64,57	16	4F	1108	63,20	71	9	28	58,0	36,0	22	-	-	0,80	PHP 16H200TB
				72,77	18	4F	1210	71,40	79	11	32	58,0	33,0	25	-	-	0,91	PHP 18H200TB
				76,81	19	4F	1210	75,44	83	11	32	58,0	33,0	25	-	-	1,05	PHP 19H200TB
				80,85	20	4F	1610	79,48	87	14	42	58,0	33,0	25	-	-	1,02	PHP 20H200TB
				84,89	21	4F	1610	83,52	91	14	42	58,0	33,0	25	-	-	1,04	PHP 21H200TB
88,94	22			4F	1610	87,57	95	14	42	58,0	33,0	25	-	-	1,18	PHP 22H200TB		
92,98	23			4F	1610	91,61	98	14	42	58,0	33,0	25	-	-	1,28	PHP 23H200TB		
97,02	24			4F	1610	95,65	103	14	42	58,0	33,0	25	-	-	1,37	PHP 24H200TB		
101,06	25			4F	1610	99,69	107	14	42	58,0	33,0	25	-	-	1,59	PHP 25H200TB		
105,11	26			4F	1610	103,74	111	14	42	58,0	33,0	25	-	-	1,63	PHP 26H200TB		
109,15	27			4F	1610	107,78	115	14	42	58,0	33,0	25	-	-	1,98	PHP 27H200TB		
113,19	28			4F	1610	111,82	119	14	42	58,0	33,0	25	-	-	1,92	PHP 28H200TB		
121,28	30			4F	1610	119,91	127	14	42	58,0	33,0	25	-	-	2,24	PHP 30H200TB		
129,36	32			4F	2012	127,99	135	14	50	58,0	26,0	32	-	-	2,87	PHP 32H200TB		
145,53	36			13F	2012	144,16	151	14	50	58,0	26,0	32	-	-	3,42	PHP 36H200TB		
161,70	40			13F	2012	160,33	168	14	50	58,0	26,0	32	-	-	4,39	PHP 40H200TB		
177,87	44			13F	2012	176,50	184	14	50	58,0	26,0	32	-	-	5,89	PHP 44H200TB		
194,04	48			13F	2517	192,67	200	16	60	58,0	13,0	45	-	-	7,00	PHP 48H200TB		
242,55	60			8	2517	241,18	-	16	60	60,0	7,5	45	7,5	-	8,88	PHP 60H200TB		
291,06	72			8	2517	289,69	-	16	60	60,0	7,5	45	7,5	-	9,05	PHP 72H200TB		
339,57	84			8	2517	338,20	-	16	60	60,0	7,5	45	7,5	-	10,66	PHP 84H200TB		
388,08	96			8	2517	386,71	-	16	60	60,0	7,5	45	7,5	-	15,28	PHP 96H200TB		
485,10	120			8	2517	483,73	-	16	60	60,0	7,5	45	7,5	-	20,16	PHP 120H200TB		
H	76,2			72,77	18	6F	1215	71,40	83	11	32	84,0	23,0	38	23,0	-	1,10	PHP 18H300TB
		80,85	20	6F	1615	79,48	87	14	42	84,0	23,0	38	23,0	-	1,25	PHP 20H300TB		
		84,89	21	6F	1615	83,52	91	14	42	84,0	23,0	38	23,0	-	1,56	PHP 21H300TB		
		88,94	22	6F	1615	87,57	94	14	42	84,0	23,0	38	23,0	-	1,75	PHP 22H300TB		
		92,98	23	6F	1615	91,61	98	14	42	84,0	23,0	38	23,0	-	1,93	PHP 23H300TB		
		97,02	24	6F	1615	95,65	103	14	42	84,0	23,0	38	23,0	-	2,14	PHP 24H300TB		
		101,06	25	6F	1615	99,69	107	14	42	84,0	23,0	38	23,0	-	2,21	PHP 25H300TB		
		105,11	26	6F	1615	103,74	111	14	42	84,0	23,0	38	23,0	-	2,65	PHP 26H300TB		
		109,15	27	6F	2012	107,78	115	14	50	84,0	26,0	32	26,0	-	2,49	PHP 27H300TB		
		113,19	28	6F	2012	111,82	119	14	50	84,0	26,0	32	26,0	-	2,88	PHP 28H300TB		
		121,28	30	6F	2012	119,91	127	14	50	84,0	26,0	32	26,0	-	3,44	PHP 30H300TB		
		129,36	32	6F	2517	127,99	135	16	60	84,0	19,5	45	19,5	-	3,51	PHP 32H300TB		
		145,53	36	6F	2517	144,16	151	16	60	84,0	19,5	45	19,5	-	4,43	PHP 36H300TB		
		161,70	40	6F	2517	160,33	168	16	60	84,0	19,5	45	19,5	-	6,10	PHP 40H300TB		
		177,87	44	7F	2517	176,50	184	16	60	86,0	20,5	45	20,5	124	7,55	PHP 44H300TB		
		194,04	48	7F	2517	192,67	200	16	60	86,0	20,5	45	20,5	124	8,99	PHP 48H300TB		
		242,55	60	8	2517	241,18	-	16	60	86,0	20,5	45	20,5	124	11,06	PHP 60H300TB		
		291,06	72	8	2517	289,69	-	16	60	86,0	20,5	45	20,5	124	12,66	PHP 72H300TB		
		339,57	84	8	2517	338,20	-	16	60	86,0	20,5	45	20,5	124	14,50	PHP 84H300TB		

¹⁾ Mass does not include bushings.

Classical timing pulleys

H Taper bushed | XH Taper bushed



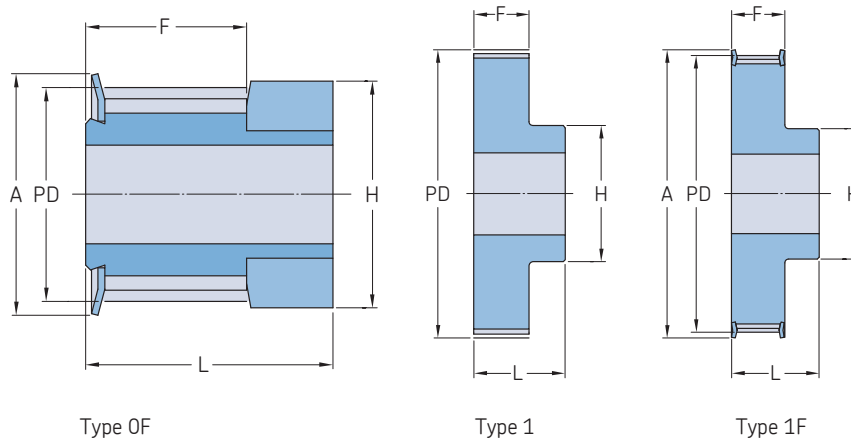
Section	Belt width	Pitch diameter	Number of teeth	Pulley type	Bushing number	Dimensions								Mass ¹⁾	Designation	
						Outer diameter OD	A	B Min.	Max.	F	K	L	M			H
		PD				mm								kg		

H	76,2	388,08	96	8	3030	386,71	–	35	75	86,0	5,0	76	5,0	155	16,20	PHP 96H300TB
		485,10	120	8	3030	483,73	–	35	75	86,0	5,0	76	5,0	155	20,80	PHP 120H300TB
XH	50,8	127,34	18	6F	2012	124,54	141	14	50	65,1	–	32	–	–	2,60	PHP 18XH200TB
		134,41	19	6F	2012	131,61	146	14	50	65,1	–	32	–	–	3,10	PHP 19XH200TB
		141,49	20	6F	2012	138,69	155	14	50	65,1	–	32	–	–	3,60	PHP 20XH200TB
		148,56	21	6F	2517	145,76	169	16	60	65,1	–	45	–	–	4,20	PHP 21XH200TB
		155,64	22	6F	2517	152,84	169	16	60	65,1	–	45	–	–	4,80	PHP 22XH200TB
		169,79	24	6F	2517	166,99	183	16	60	65,1	–	45	–	–	6,10	PHP 24XH200TB
		176,86	25	6F	2517	174,06	198	16	60	65,1	–	45	–	–	6,80	PHP 25XH200TB
		183,93	26	6F	2517	181,13	198	16	60	65,1	–	45	–	–	7,40	PHP 26XH200TB
		191,01	27	7F	2517	188,21	212	16	60	65,1	–	45	–	134	8,20	PHP 27XH200TB
		198,09	28	7F	2517	195,29	212	16	60	65,1	–	45	–	134	9,00	PHP 28XH200TB
		212,23	30	7F	2517	209,43	226	16	60	65,1	–	45	–	134	9,60	PHP 30XH200TB
		226,38	32	7F	2517	223,58	240	16	60	65,1	–	45	–	134	9,80	PHP 32XH200TB
		254,64	36	8F	2517	251,84	267	16	60	65,1	–	45	–	134	11,60	PHP 36XH200TB
		282,98	40	8	2517	280,18	–	16	60	65,1	–	45	–	134	13,30	PHP 40XH200TB
		339,57	48	8	3020	336,77	–	25	75	65,1	–	51	–	165	19,00	PHP 48XH200TB
		424,47	60	8	3020	421,67	–	25	75	65,1	–	51	–	165	22,00	PHP 60XH200TB
XH	76,2	127,34	18	6F	2012	124,54	141	14	50	92,1	–	45	–	–	3,70	PHP 18XH300TB
		134,41	19	6F	2517	131,61	146	16	60	92,1	–	45	–	–	4,20	PHP 19XH300TB
		141,49	20	6F	2517	138,69	155	16	60	92,1	–	45	–	–	4,70	PHP 20XH300TB
		148,56	21	6F	2517	145,76	169	16	60	92,1	–	45	–	–	5,40	PHP 21XH300TB
		155,64	22	6F	2517	152,84	169	16	60	92,1	–	45	–	–	6,00	PHP 22XH300TB
		169,79	24	6F	2517	166,99	183	16	60	92,1	–	45	–	–	7,60	PHP 24XH300TB
		176,86	25	6F	2517	174,06	198	16	60	92,1	–	45	–	–	8,70	PHP 25XH300TB
		183,93	26	6F	2517	181,13	198	16	60	92,1	–	45	–	–	9,80	PHP 26XH300TB
		191,01	27	6F	2517	188,21	212	16	60	92,1	–	45	–	–	10,70	PHP 27XH300TB
		198,09	28	7F	2517	195,29	212	16	60	92,1	–	45	–	134	11,60	PHP 28XH300TB
		212,23	30	7F	2517	209,43	226	16	60	92,1	–	45	–	134	11,90	PHP 30XH300TB
		226,38	32	7F	3020	223,58	240	25	75	92,1	–	51	–	165	13,80	PHP 32XH300TB
		254,64	36	7F	3020	251,84	267	25	75	92,1	–	51	–	165	16,70	PHP 36XH300TB
		282,98	40	8	3020	280,18	–	25	75	92,1	–	51	–	165	19,50	PHP 40XH300TB
		339,57	48	8	3020	336,77	–	25	75	92,1	–	51	–	165	27,00	PHP 48XH300TB
		424,47	60	8	3535	421,67	–	35	90	92,1	–	89	–	184	28,00	PHP 60XH300TB
XH	101,6	127,34	18	6F	2012	124,54	141	16	60	92,1	–	45	–	–	5,00	PHP 18XH400TB
		134,41	19	6F	2517	131,61	146	16	60	92,1	–	45	–	–	5,50	PHP 19XH400TB
		141,49	20	6F	2517	138,69	155	16	60	92,1	–	45	–	–	6,00	PHP 20XH400TB
		148,56	21	6F	2517	145,76	169	16	60	92,1	–	45	–	–	6,60	PHP 21XH400TB
		155,64	22	6F	2517	152,84	169	16	60	92,1	–	45	–	–	7,20	PHP 22XH400TB
		169,79	24	6F	3020	166,99	183	25	75	92,1	–	51	–	–	8,40	PHP 24XH400TB
		176,86	25	6F	3020	174,06	198	25	75	92,1	–	51	–	–	9,40	PHP 25XH400TB
		183,93	26	6F	3020	181,13	198	25	75	92,1	–	51	–	–	10,30	PHP 26XH400TB
		191,01	27	6F	3020	188,21	212	25	75	92,1	–	51	–	–	11,30	PHP 27XH400TB
		198,09	28	6F	3020	195,29	212	25	75	92,1	–	51	–	–	12,30	PHP 28XH400TB
		212,23	30	6F	3020	209,43	226	25	75	92,1	–	51	–	–	14,30	PHP 30XH400TB
		226,38	32	7F	3020	223,58	240	25	75	92,1	–	51	–	165	19,90	PHP 32XH400TB
		254,64	36	7F	3020	251,84	267	25	75	92,1	–	51	–	165	22,30	PHP 36XH400TB
		282,98	40	8	3020	280,18	–	25	75	92,1	–	51	–	165	24,60	PHP 40XH400TB
		339,57	48	8	3535	336,77	–	35	90	92,1	–	89	–	184	30,00	PHP 48XH400TB
		424,47	60	8	3535	421,67	–	35	90	92,1	–	89	–	184	40,00	PHP 60XH400TB

¹⁾ Mass does not include bushings.

Metric timing pulleys

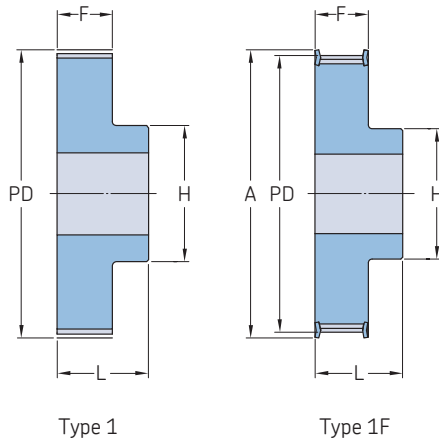
2,5 mm pitch type T pilot bore (RSB)



Pitch	Belt width	Pitch diameter PD	Number of teeth	Pulley type	Dimensions Outer diameter OD	Dimensions					Mass	Designation		
						A	B Min.	Max.	H	F			L	
		mm	-	-	mm						kg	-		
2,5	4 and 6	7,96	10	OF	7,45	10	-	3	10	10	16	0,001	PHP 16-T2.5-10RSB	
		8,75	11	OF	8,25	12	-	3	11	10	16	0,002	PHP 16-T2.5-11RSB	
		9,54	12	OF	9,00	13	-	4	13	10	16	0,003	PHP 16-T2.5-12RSB	
		10,35	13	OF	9,95	14	-	4	14	10	16	0,004	PHP 16-T2.5-13RSB	
		11,14	14	OF	10,60	15	-	5	15	10	16	0,004	PHP 16-T2.5-14RSB	
		11,94	15	OF	11,40	15	-	6	15	10	16	0,010	PHP 16-T2.5-15RSB	
		12,73	16	OF	12,20	16	-	7	16	10	16	0,005	PHP 16-T2.5-16RSB	
		13,53	17	OF	13,00	17	4	7	16	10	16	0,006	PHP 16-T2.5-17RSB	
		14,32	18	1F	13,80	18	4	7	10	10	16	0,006	PHP 16-T2.5-18RSB	
		15,12	19	1F	14,60	18	4	7	10	10	16	0,007	PHP 16-T2.5-19RSB	
		15,92	20	1F	15,40	20	4	7	11	10	16	0,008	PHP 16-T2.5-20RSB	
		16,71	21	1F	16,20	20	4	7	11	10	16	0,009	PHP 16-T2.5-21RSB	
		17,51	22	1F	17,00	23	4	7	10	10	16	0,009	PHP 16-T2.5-22RSB	
		18,30	23	1F	17,80	23	4	8	12	10	16	0,010	PHP 16-T2.5-23RSB	
		19,10	24	1F	18,55	23	4	8	12	10	16	0,012	PHP 16-T2.5-24RSB	
		19,89	25	1F	19,35	23	4	9	13	10	16	0,013	PHP 16-T2.5-25RSB	
		20,69	26	1F	20,15	25	4	9	14	10	16	0,014	PHP 16-T2.5-26RSB	
		21,49	27	1F	20,90	25	4	9	14	10	16	0,015	PHP 16-T2.5-27RSB	
	22,28	28	1F	21,75	25	4	9	14	10	16	0,016	PHP 16-T2.5-28RSB		
	23,87	30	1F	23,35	28	6	10	16	10	16	0,018	PHP 16-T2.5-30RSB		
	25,46	32	1F	24,95	32	6	10	16	10	16	0,020	PHP 16-T2.5-32RSB		
	27,85	35	1F	27,35	36	6	10	18	10	16	0,024	PHP 16-T2.5-35RSB		
	28,65	36	1F	28,10	36	6	13	20	10	16	0,026	PHP 16-T2.5-36RSB		
	30,24	38	1F	30,70	38	6	13	22	10	16	0,029	PHP 16-T2.5-38RSB		
	31,83	40	1F	31,30	38	6	13	22	10	16	0,032	PHP 16-T2.5-40RSB		
	33,42	42	1F	32,90	42	6	15	24	10	16	0,036	PHP 16-T2.5-42RSB		
	35,01	44	1	34,50	-	6	15	24	10	16	0,040	PHP 16-T2.5-44RSB		
	35,81	45	1	35,30	-	6	17	26	10	16	0,044	PHP 16-T2.5-45RSB		
	38,20	48	1	37,70	-	6	17	26	10	16	0,048	PHP 16-T2.5-48RSB		
	42,97	54	1	42,45	-	8	19	30	10	16	0,056	PHP 16-T2.5-54RSB		
	45,36	57	1	44,85	-	8	19	32	10	16	0,064	PHP 16-T2.5-57RSB		
	47,75	60	1	47,25	-	8	22	34	10	16	0,073	PHP 16-T2.5-60RSB		
	2,5	10	7,96	10	OF	7,45	10	3	3	10	14	20	0,010	PHP 20-T2.5-10RSB
			8,75	11	OF	8,25	12	3	3	11	14	20	0,010	PHP 20-T2.5-11RSB
			9,55	12	OF	9,00	13	3	4	13	14	20	0,020	PHP 20-T2.5-12RSB
			10,35	13	OF	9,95	14	3	4	14	14	20	0,020	PHP 20-T2.5-13RSB
11,14			14	OF	10,60	14	3	5	15	14	20	0,020	PHP 20-T2.5-14RSB	
11,94			15	OF	11,40	15	3	6	15	14	20	0,020	PHP 20-T2.5-15RSB	
12,73			16	OF	12,20	16	4	7	16	14	20	0,030	PHP 20-T2.5-16RSB	
13,53			17	1F	13,00	17	4	7	16	14	20	0,020	PHP 20-T2.5-17RSB	
14,32			18	1F	13,80	17	4	7	10	14	20	0,030	PHP 20-T2.5-18RSB	
15,12			19	1F	14,60	18	4	7	10	14	20	0,040	PHP 20-T2.5-19RSB	
15,92			20	1F	15,40	19	4	7	11	14	20	0,040	PHP 20-T2.5-20RSB	
16,71			21	1F	16,20	20	4	7	11	14	20	0,040	PHP 20-T2.5-21RSB	
17,60			22	1F	17,00	22	4	7	11	14	20	0,050	PHP 20-T2.5-22RSB	
18,30			23	1F	17,80	22	4	8	12	14	20	0,050	PHP 20-T2.5-23RSB	
19,10			24	1F	18,55	22	4	8	12	14	20	0,050	PHP 20-T2.5-24RSB	
19,89			25	1F	19,35	24	4	9	13	14	20	0,060	PHP 20-T2.5-25RSB	
20,75			26	1F	20,15	26	4	9	14	14	20	0,060	PHP 20-T2.5-26RSB	
21,49			27	1F	20,90	26	4	9	14	14	20	0,060	PHP 20-T2.5-27RSB	
22,35			28	1F	21,75	26	4	9	14	14	20	0,070	PHP 20-T2.5-28RSB	
23,87			30	1F	23,35	28	6	10	16	14	20	0,080	PHP 20-T2.5-30RSB	
25,47			32	1F	24,95	28	6	10	16	14	20	0,090	PHP 20-T2.5-32RSB	

Metric timing pulleys

2,5 mm pitch type T pilot bore (RSB) | 5 mm pitch type T pilot bore (RSB)



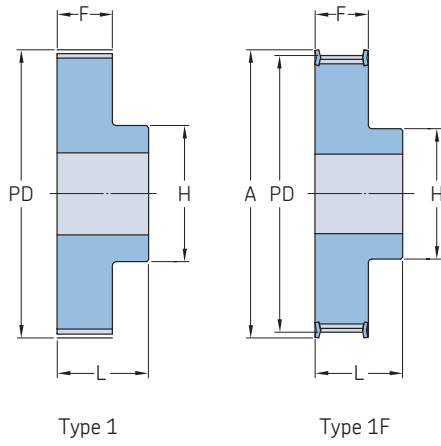
Pitch	Belt width	Pitch diameter PD	Number of teeth	Pulley type	Dimensions							Mass	Designation		
					Outer diameter OD	A	B Min.	Max.	H	F	L				
–	mm	–	–	–	mm	–	–	–	–	–	–	kg	–		
2,5	10	27,85	35	1F	27,35	32	6	10	18	14	20	0,110	PHP 20-T2.5-35RSB		
		28,65	36	1F	28,10	32	6	13	20	14	20	0,110	PHP 20-T2.5-36RSB		
		30,24	38	1F	39,70	34	6	13	22	14	20	0,130	PHP 20-T2.5-38RSB		
		31,83	40	1F	31,30	35	6	13	22	14	20	0,140	PHP 20-T2.5-40RSB		
		33,42	42	1	32,90	–	6	15	24	14	20	0,180	PHP 20-T2.5-42RSB		
		35,01	44	1	34,50	–	6	15	24	14	20	0,190	PHP 20-T2.5-44RSB		
		35,81	45	1	35,30	–	6	17	26	14	20	0,190	PHP 20-T2.5-45RSB		
		38,20	48	1	37,70	–	6	17	26	14	20	0,200	PHP 20-T2.5-48RSB		
		42,97	54	1	42,45	–	8	19	30	14	20	0,250	PHP 20-T2.5-54RSB		
		45,36	57	1	44,85	–	8	19	32	14	20	0,280	PHP 20-T2.5-57RSB		
		47,75	60	1	47,25	–	8	22	34	14	20	0,310	PHP 20-T2.5-60RSB		
		5	10	15,92	10	1F	15,05	20	4	5	8	15	21	0,010	PHP 21-T5-10RSB
				17,51	11	1F	16,65	22	4	6	10	15	21	0,010	PHP 21-T5-11RSB
				19,10	12	1F	18,25	23	4	7	12	15	21	0,020	PHP 21-T5-12RSB
				20,69	13	1F	19,85	25	6	8	13	15	21	0,020	PHP 21-T5-13RSB
				22,29	14	1F	21,45	26	6	9	14	15	21	0,020	PHP 21-T5-14RSB
				23,88	15	1F	23,05	28	6	10	16	15	21	0,020	PHP 21-T5-15RSB
				25,47	16	1F	24,60	30	6	11	18	15	21	0,030	PHP 21-T5-16RSB
27,06	17			1F	26,20	32	6	12	19	15	21	0,030	PHP 21-T5-17RSB		
28,65	18			1F	27,80	32	6	13	20	15	21	0,030	PHP 21-T5-18RSB		
30,25	19			1F	29,40	36	6	14	22	15	21	0,040	PHP 21-T5-19RSB		
31,83	20			1F	31,00	36	6	15	24	15	21	0,040	PHP 21-T5-20RSB		
33,42	21			1F	32,55	38	6	15	24	15	21	0,040	PHP 21-T5-21RSB		
35,01	22			1F	34,15	38	6	15	24	15	21	0,050	PHP 21-T5-22RSB		
36,61	23			1F	35,75	42	6	16	25	15	21	0,050	PHP 21-T5-23RSB		
38,21	24			1F	37,40	44	6	17	26	15	21	0,050	PHP 21-T5-24RSB		
39,80	25			1F	38,95	44	6	17	26	15	21	0,060	PHP 21-T5-25RSB		
41,45	26			1F	40,60	44	6	17	26	15	21	0,060	PHP 21-T5-26RSB		
42,98	27			1F	42,20	48	8	19	30	15	21	0,060	PHP 21-T5-27RSB		
44,56	28			1F	43,75	48	8	20	32	15	21	0,060	PHP 21-T5-28RSB		
47,76	30			1F	46,95	51	8	22	34	15	21	0,080	PHP 21-T5-30RSB		
50,94	32			1F	50,10	54	8	24	38	15	21	0,090	PHP 21-T5-32RSB		
55,70	35			1F	54,85	59	8	24	38	15	21	0,100	PHP 21-T5-35RSB		
57,31	36			1F	56,45	63	8	24	38	15	21	0,110	PHP 21-T5-36RSB		
60,48	38			1F	59,65	66	8	26	40	15	21	0,130	PHP 21-T5-38RSB		
63,66	40			1F	62,85	66	8	26	40	15	21	0,140	PHP 21-T5-40RSB		
66,84	42			1F	66,00	71	8	26	40	15	21	0,180	PHP 21-T5-42RSB		
70,20	44			1	69,35	–	8	29	45	15	21	0,190	PHP 21-T5-44RSB		
71,62	45			1	70,80	–	8	31	45	15	21	0,190	PHP 21-T5-45RSB		
76,39	48			1	75,55	–	8	32	50	15	21	0,200	PHP 21-T5-48RSB		
85,94	54			1	85,10	–	8	35	55	15	21	0,240	PHP 21-T5-54RSB		
90,72	57	1	89,90	–	8	38	60	15	21	0,270	PHP 21-T5-57RSB				
95,49	60	1	94,65	–	8	42	65	15	21	0,310	PHP 21-T5-60RSB				
5	16	15,92	10	1F	15,05	20	4	5	8	21	27	0,020	PHP 27-T5-10RSB		
		17,51	11	1F	16,65	22	4	6	10	21	27	0,020	PHP 27-T5-11RSB		
		19,10	12	1F	18,25	23	4	7	12	21	27	0,020	PHP 27-T5-12RSB		
		20,69	13	1F	19,85	25	6	8	13	21	27	0,020	PHP 27-T5-13RSB		
		22,29	14	1F	21,45	26	6	9	14	21	27	0,030	PHP 27-T5-14RSB		
		23,88	15	1F	23,05	28	6	10	16	21	27	0,030	PHP 27-T5-15RSB		
		25,47	16	1F	24,60	30	6	11	18	21	27	0,040	PHP 27-T5-16RSB		
		27,06	17	1F	26,20	32	6	12	19	21	27	0,040	PHP 27-T5-17RSB		
		28,65	18	1F	27,80	33	6	13	20	21	27	0,050	PHP 27-T5-18RSB		
		30,25	19	1F	29,40	36	6	14	22	21	27	0,050	PHP 27-T5-19RSB		

Metric timing pulleys

5 mm pitch type T pilot bore (RSB) | 10 mm pitch type T pilot bore (RSB)

Pitch	Belt width	Pitch diameter	Number of teeth	Pulley type	Dimensions						Mass	Designation			
					Outer diameter OD	A	B Min.	Max.	H	F			L		
–	mm	PD	–	–	mm	–	–	–	–	–	kg	–			
5	16	31,83	20	1F	31,00	36	6	15	24	21	27	0,050	PHP 27-T5-20RSB		
		33,42	21	1F	32,55	38	6	15	24	21	27	0,050	PHP 27-T5-21RSB		
		35,01	22	1F	34,15	38	6	15	24	21	27	0,050	PHP 27-T5-22RSB		
		36,61	23	1F	35,75	42	6	16	25	21	27	0,060	PHP 27-T5-23RSB		
		38,21	24	1F	37,40	42	6	17	26	21	27	0,080	PHP 27-T5-24RSB		
		39,80	25	1F	38,95	44	6	17	26	21	27	0,080	PHP 27-T5-25RSB		
		41,45	26	1F	40,60	44	6	17	26	21	27	0,090	PHP 27-T5-26RSB		
		42,98	27	1F	42,20	48	8	19	30	21	27	0,090	PHP 27-T5-27RSB		
		44,56	28	1F	43,75	48	8	20	32	21	27	0,090	PHP 27-T5-28RSB		
		47,76	30	1F	46,95	51	8	22	34	21	27	0,110	PHP 27-T5-30RSB		
		50,94	32	1F	50,10	54	8	24	38	21	27	0,120	PHP 27-T5-32RSB		
		55,70	35	1F	54,85	59	8	24	38	21	27	0,140	PHP 27-T5-35RSB		
		57,31	36	1F	56,45	63	8	24	38	21	27	0,160	PHP 27-T5-36RSB		
		60,48	38	1F	59,65	66	8	26	40	21	27	0,180	PHP 27-T5-38RSB		
		63,66	40	1F	62,85	66	8	26	40	21	27	0,190	PHP 27-T5-40RSB		
		66,84	42	1F	66,00	71	8	26	40	21	27	0,210	PHP 27-T5-42RSB		
		70,20	44	1	69,35	–	8	29	45	21	27	0,230	PHP 27-T5-44RSB		
		71,62	45	1	70,80	–	8	29	45	21	27	0,260	PHP 27-T5-45RSB		
		76,39	48	1	75,55	–	8	32	50	21	27	0,280	PHP 27-T5-48RSB		
		85,94	54	1	85,10	–	8	35	55	21	27	0,330	PHP 27-T5-54RSB		
		90,72	57	1	89,90	–	8	38	60	21	27	0,380	PHP 27-T5-57RSB		
		95,49	60	1	94,65	–	8	42	65	21	27	0,430	PHP 27-T5-60RSB		
		5	25	15,92	10	1F	15,05	20	4	5	8	30	36	0,020	PHP 36-T5-10RSB
				17,51	11	1F	16,65	22	4	6	10	30	36	0,030	PHP 36-T5-11RSB
19,10	12			1F	18,25	23	4	7	12	30	36	0,030	PHP 36-T5-12RSB		
20,69	13			1F	19,85	25	6	8	13	30	36	0,030	PHP 36-T5-13RSB		
22,29	14			1F	21,45	26	6	9	14	30	36	0,040	PHP 36-T5-14RSB		
23,88	15			1F	23,05	28	6	10	16	30	36	0,040	PHP 36-T5-15RSB		
25,47	16			1F	24,60	32	6	11	18	30	36	0,050	PHP 36-T5-16RSB		
27,06	17			1F	26,20	32	6	12	19	30	36	0,060	PHP 36-T5-17RSB		
28,65	18			1F	27,80	32	6	13	20	30	36	0,060	PHP 36-T5-18RSB		
30,25	19			1F	29,40	36	6	14	22	30	36	0,070	PHP 36-T5-19RSB		
31,83	20			1F	31,00	36	6	15	24	30	36	0,080	PHP 36-T5-20RSB		
33,42	21			1F	32,55	38	6	15	24	30	36	0,080	PHP 36-T5-21RSB		
35,01	22			1F	34,15	38	6	15	24	30	36	0,080	PHP 36-T5-22RSB		
36,61	23			1F	35,75	42	6	15	25	30	36	0,090	PHP 36-T5-23RSB		
38,21	24			1F	37,40	42	6	17	26	30	36	0,110	PHP 36-T5-24RSB		
39,80	25			1F	38,95	44	6	17	26	30	36	0,120	PHP 36-T5-25RSB		
41,45	26			1F	40,60	44	6	17	26	30	36	0,120	PHP 36-T5-26RSB		
42,98	27			1F	42,20	48	8	19	30	30	36	0,130	PHP 36-T5-27RSB		
44,56	28			1F	43,75	48	8	20	32	30	36	0,130	PHP 36-T5-28RSB		
47,76	30			1F	46,95	51	8	22	34	30	36	0,150	PHP 36-T5-30RSB		
50,94	32			1F	50,10	54	8	24	38	30	36	0,180	PHP 36-T5-32RSB		
55,70	35			1F	54,85	59	8	24	38	30	36	0,210	PHP 36-T5-35RSB		
57,31	36			1F	56,45	63	8	24	38	30	36	0,230	PHP 36-T5-36RSB		
60,48	38			1F	59,65	66	8	26	40	30	36	0,250	PHP 36-T5-38RSB		
63,66	40			1F	62,85	66	8	26	40	30	36	0,280	PHP 36-T5-40RSB		
66,84	42			1F	66,00	71	8	26	40	30	36	0,280	PHP 36-T5-42RSB		
70,20	44			1	69,35	–	8	29	45	30	36	0,320	PHP 36-T5-44RSB		
71,62	45			1	70,80	–	8	29	45	30	36	0,360	PHP 36-T5-45RSB		
76,39	48			1	75,55	–	8	32	50	30	36	0,400	PHP 36-T5-48RSB		
85,94	54			1	85,10	–	8	35	55	30	36	0,470	PHP 36-T5-54RSB		
90,72	57			1	89,90	–	8	38	60	30	36	0,540	PHP 36-T5-57RSB		
95,49	60			1	94,65	–	8	42	65	30	36	0,610	PHP 36-T5-60RSB		
10	16			38,20	12	1F	36,35	42	6	18	28	21	31	0,080	PHP 31-T10-12RSB
				41,38	13	1F	39,55	44	6	19	32	21	31	0,090	PHP 31-T10-13RSB
				44,56	14	1F	42,70	48	8	21	32	21	31	0,100	PHP 31-T10-14RSB
				47,75	15	1F	45,90	51	8	21	32	21	31	0,120	PHP 31-T10-15RSB
		50,93	16	1F	49,10	54	8	23	35	21	31	0,130	PHP 31-T10-16RSB		
		54,11	17	1F	52,25	58	8	24	38	21	31	0,150	PHP 31-T10-17RSB		
		57,29	18	1F	55,45	60	8	26	40	21	31	0,170	PHP 31-T10-18RSB		
		60,48	19	1F	58,65	66	8	28	44	21	31	0,180	PHP 31-T10-19RSB		
		63,66	20	1F	61,80	66	8	30	46	21	31	0,210	PHP 31-T10-20RSB		
		66,85	21	1F	65,00	71	8	36	48	21	31	0,230	PHP 31-T10-21RSB		
		70,03	22	1F	68,20	75	8	34	52	21	31	0,250	PHP 31-T10-22RSB		
		73,21	23	1F	71,35	77	8	36	55	21	31	0,270	PHP 31-T10-23RSB		
		76,39	24	1F	74,55	83	8	38	58	21	31	0,290	PHP 31-T10-24RSB		
		79,58	25	1F	77,75	83	8	39	60	21	31	0,310	PHP 31-T10-25RSB		
		82,76	26	1F	80,90	87	8	39	60	21	31	0,360	PHP 31-T10-26RSB		
		85,95	27	1F	84,10	91	8	39	60	21	31	0,360	PHP 31-T10-27RSB		
		89,25	28	1F	87,25	93	8	39	60	21	31	0,400	PHP 31-T10-28RSB		
		95,49	30	1F	93,65	99	8	39	60	21	31	0,440	PHP 31-T10-30RSB		
		101,86	32	1F	100,00	106	10	42	65	21	31	0,490	PHP 31-T10-32RSB		

Metric timing pulleys
10 mm pitch type T pilot bore (RSB)



Pitch	Belt width	Pitch diameter PD	Number of teeth	Pulley type	Dimensions							Mass	Designation		
					Outer diameter OD	A	B Min.	Max.	H	F	L				
–	mm	–	–	–	mm	–	–	–	–	–	–	kg	–		
10	16	111,41	35	1F	109,55	115	10	45	70	21	31	0,560	PHP 31-T10-35RSB		
		114,59	36	1F	112,75	119	10	45	70	21	31	0,620	PHP 31-T10-36RSB		
		120,96	38	1F	119,10	125	10	48	75	21	31	0,690	PHP 31-T10-38RSB		
		127,32	40	1F	125,45	131	10	52	80	21	31	0,770	PHP 31-T10-40RSB		
		133,69	42	1	131,85	–	10	52	80	21	31	0,880	PHP 31-T10-42RSB		
		140,06	44	1	138,20	–	10	57	88	21	31	0,990	PHP 31-T10-44RSB		
		143,24	45	1	141,40	–	16	57	90	21	31	1,040	PHP 31-T10-45RSB		
		152,78	48	1	150,95	–	16	62	95	21	31	1,090	PHP 31-T10-48RSB		
		171,89	54	1	170,05	–	16	66	100	21	31	1,300	BushingT10-54RSB		
		181,44	57	1	179,60	–	16	66	110	21	31	1,500	PHP 31-T10-57RSB		
		190,98	60	1	189,15	–	16	72	110	21	31	1,710	PHP 31-T10-60RSB		
		10	25	38,20	12	1F	36,35	42	6	18	28	30	40	0,100	PHP 40-T10-12RSB
				41,38	13	1F	39,55	44	6	19	30	30	40	0,120	PHP 40-T10-13RSB
				44,56	14	1F	42,70	48	8	21	32	30	40	0,130	PHP 40-T10-14RSB
				47,75	15	1F	45,90	51	8	21	32	30	40	0,150	PHP 40-T10-15RSB
				50,93	16	1F	49,10	54	8	23	35	30	40	0,180	PHP 40-T10-16RSB
				54,11	17	1F	52,25	58	8	24	37	30	40	0,200	PHP 40-T10-17RSB
				57,29	18	1F	55,45	60	8	26	40	30	40	0,220	PHP 40-T10-18RSB
60,48	19			1F	58,65	66	8	28	44	30	40	0,250	PHP 40-T10-19RSB		
63,66	20			1F	61,80	66	8	30	46	30	40	0,280	PHP 40-T10-20RSB		
66,85	21			1F	65,00	71	8	32	49	30	40	0,300	PHP 40-T10-21RSB		
70,03	22			1F	68,20	75	8	34	52	30	40	0,340	PHP 40-T10-22RSB		
73,21	23			1F	71,35	77	8	36	55	30	40	0,360	PHP 40-T10-23RSB		
76,39	24			1F	74,55	83	8	38	58	30	40	0,390	PHP 40-T10-24RSB		
79,58	25			1F	77,75	83	8	39	60	30	40	0,420	PHP 40-T10-25RSB		
82,76	26			1F	80,90	87	8	39	60	30	40	0,480	PHP 40-T10-26RSB		
85,95	27			1F	84,10	91	8	39	60	30	40	0,540	PHP 40-T10-27RSB		
89,25	28			1F	87,25	93	8	39	60	30	40	0,540	PHP 40-T10-28RSB		
95,49	30			1F	93,65	99	8	39	60	30	40	0,640	PHP 40-T10-30RSB		
101,86	32			1F	100,00	106	10	42	65	30	40	0,690	PHP 40-T10-32RSB		
111,41	35			1F	109,55	115	10	45	70	30	40	0,780	PHP 40-T10-35RSB		
114,59	36			1F	112,75	119	10	45	70	30	40	0,870	PHP 40-T10-36RSB		
120,96	38			1F	119,10	125	10	48	75	30	40	0,970	PHP 40-T10-38RSB		
127,32	40			1F	125,45	131	10	52	80	30	40	1,070	PHP 40-T10-40RSB		
133,69	42			1	131,85	–	10	52	80	30	40	1,210	PHP 40-T10-42RSB		
140,06	44			1	138,20	–	10	57	88	30	40	1,350	PHP 40-T10-44RSB		
143,24	45			1	141,40	–	16	59	90	30	40	1,430	PHP 40-T10-45RSB		
152,78	48			1	150,95	–	16	62	95	30	40	1,520	PHP 40-T10-48RSB		
171,89	54			1	170,05	–	16	65	100	30	40	1,790	PHP 40-T10-54RSB		
181,44	57			1	179,60	–	16	72	110	30	40	2,060	PHP 40-T10-57RSB		
190,98	60			1	189,15	–	16	72	110	30	40	2,340	PHP 40-T10-60RSB		
10	32	57,30	18	1F	55,45	60	10	26	40	37	47	0,250	PHP 47-T10-18RSB		
		60,48	19	1F	58,65	66	10	28	44	37	47	0,290	PHP 47-T10-19RSB		
		63,66	20	1F	61,80	66	12	30	46	37	47	0,320	PHP 47-T10-20RSB		
		66,85	21	1F	65,00	71	12	32	49	37	47	0,360	PHP 47-T10-21RSB		
		70,03	22	1F	68,20	75	12	34	52	37	47	0,390	PHP 47-T10-22RSB		
		73,21	23	1F	71,35	77	12	36	55	37	47	0,430	PHP 47-T10-23RSB		
		76,39	24	1F	74,55	83	12	38	58	37	47	0,480	PHP 47-T10-24RSB		
		79,58	25	1F	77,75	83	12	39	60	37	47	0,530	PHP 47-T10-25RSB		
		82,76	26	1F	80,90	87	12	39	60	37	47	0,560	PHP 47-T10-26RSB		
		85,94	27	1F	84,10	91	12	39	60	37	47	0,600	PHP 47-T10-27RSB		
		89,13	28	1F	87,25	93	12	39	60	37	47	0,640	PHP 47-T10-28RSB		
		95,49	30	1F	93,65	99	12	39	60	37	47	0,740	PHP 47-T10-30RSB		

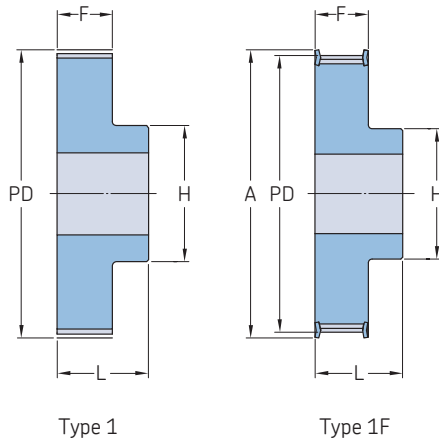
Metric timing pulleys

10 mm pitch type T pilot bore (RSB)

Pitch	Belt width	Pitch diameter PD	Number of teeth	Pulley type	Dimensions						Mass	Designation			
					Outer diameter OD	A	B Min.	Max.	H	F			L		
–	mm	–	–	–	mm	–	–	–	–	–	kg	–			
10	32	101,86	32	1F	100,00	106	12	42	65	37	47	0,840	PHP 47-T10-32RSB		
		111,41	35	1F	109,55	115	16	45	70	37	47	0,960	PHP 47-T10-35RSB		
		114,59	36	1F	112,75	119	16	45	70	37	47	1,080	PHP 47-T10-36RSB		
		120,96	38	1F	119,10	125	16	48	75	37	47	1,200	PHP 47-T10-38RSB		
		127,32	40	1F	125,45	131	16	52	80	37	47	1,320	PHP 47-T10-40RSB		
		133,69	42	1	131,85	–	16	52	80	37	47	1,460	PHP 47-T10-42RSB		
		140,06	44	1	138,20	–	16	57	88	37	47	1,610	PHP 47-T10-44RSB		
		143,24	45	1	141,40	–	16	58	90	37	47	1,770	PHP 47-T10-45RSB		
		152,79	48	1	150,95	–	16	62	95	37	47	1,930	PHP 47-T10-48RSB		
		171,89	54	1	170,05	–	16	65	100	37	47	2,290	PHP 47-T10-54RSB		
		181,44	57	1	179,60	–	16	72	110	37	47	2,650	PHP 47-T10-57RSB		
		190,99	60	1	189,15	–	16	72	110	37	47	3,000	PHP 47-T10-60RSB		
		10	50	57,30	18	1F	55,45	60	10	26	40	56	66	0,420	PHP 66-T10-18RSB
				60,48	19	1F	58,65	66	10	28	44	56	66	0,470	PHP 66-T10-19RSB
				63,66	20	1F	61,80	66	12	30	46	56	66	0,520	PHP 66-T10-20RSB
				66,85	21	1F	65,00	71	12	32	49	56	66	0,550	PHP 66-T10-21RSB
				70,03	22	1F	68,20	75	12	34	52	56	66	0,570	PHP 66-T10-22RSB
				73,21	23	1F	71,35	77	12	36	55	56	66	0,650	PHP 66-T10-23RSB
76,39	24			1F	74,55	83	12	38	58	56	66	0,740	PHP 66-T10-24RSB		
79,58	25			1F	77,75	83	12	39	60	56	66	0,770	PHP 66-T10-25RSB		
82,76	26			1F	80,90	87	12	39	60	56	66	0,820	PHP 66-T10-26RSB		
85,94	27			1F	84,10	91	12	39	60	56	66	0,950	PHP 66-T10-27RSB		
89,13	28			1F	87,25	93	12	39	60	56	66	0,960	PHP 66-T10-28RSB		
95,49	30			1F	93,65	99	12	39	60	56	66	1,170	PHP 66-T10-30RSB		
101,86	32			1F	100,00	106	12	42	65	56	66	1,300	PHP 66-T10-32RSB		
111,41	35			1F	109,55	115	16	45	70	56	66	1,470	PHP 66-T10-35RSB		
114,59	36			1F	112,75	119	16	45	70	56	66	1,640	PHP 66-T10-36RSB		
120,96	38			1F	119,10	125	16	48	75	56	66	1,820	PHP 66-T10-38RSB		
127,32	40			1F	125,45	131	16	52	80	56	66	2,000	PHP 66-T10-40RSB		
133,69	42			1	131,85	–	16	57	80	56	66	2,180	PHP 66-T10-42RSB		
140,06	44			1	138,20	–	16	52	88	56	66	2,360	PHP 66-T10-44RSB		
143,24	45			1	141,40	–	16	58	90	56	66	2,590	PHP 66-T10-45RSB		
152,79	48			1	150,95	–	16	62	95	56	66	2,830	PHP 66-T10-48RSB		
171,89	54			1	170,05	–	16	65	100	56	66	3,340	PHP 66-T10-54RSB		
181,44	57			1	179,60	–	16	72	110	56	66	3,850	PHP 66-T10-57RSB		
190,99	60			1	189,15	–	16	72	110	56	66	4,370	PHP 66-T10-60RSB		

Metric timing pulleys

5 mm pitch type AT pilot bore (RSB)



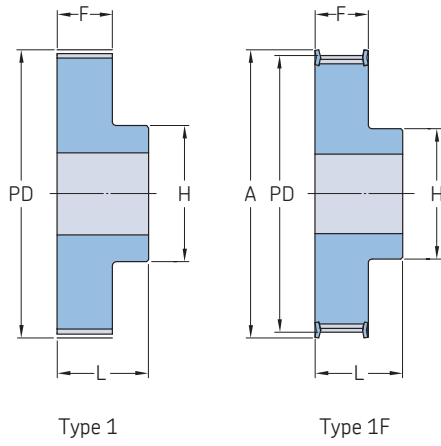
Pitch	Belt width	Pitch diameter PD	Number of teeth	Pulley type	Dimensions							Mass	Designation	
					Outer diameter OD	A	B Min.	Max.	H	F	L			
mm					mm							kg		
5	10	15,92	10	1F	14,65	20	4	5	8	15	21	0,01	PHP 21-AT5-10RSB	
		19,10	12	1F	17,85	23	4	7	12	15	21	0,02	PHP 21-AT5-12RSB	
		20,69	13	1F	19,45	25	6	8	13	15	21	0,02	PHP 21-AT5-13RSB	
		22,29	14	1F	21,05	26	6	9	14	15	21	0,02	PHP 21-AT5-14RSB	
		23,88	15	1F	22,65	28	6	10	16	15	21	0,02	PHP 21-AT5-15RSB	
		25,47	16	1F	24,20	32	6	11	18	15	21	0,03	PHP 21-AT5-16RSB	
		27,06	17	1F	25,80	32	6	12	19	15	21	0,03	PHP 21-AT5-17RSB	
		28,65	18	1F	27,40	32	6	13	20	15	21	0,03	PHP 21-AT5-18RSB	
		30,25	19	1F	29,00	36	6	14	22	15	21	0,04	PHP 21-AT5-19RSB	
		31,83	20	1F	30,60	36	6	15	23	15	21	0,04	PHP 21-AT5-20RSB	
		33,42	21	1F	32,20	38	6	15	24	15	21	0,04	PHP 21-AT5-21RSB	
		35,02	22	1F	33,85	38	6	15	24	15	21	0,05	PHP 21-AT5-22RSB	
		36,61	23	1F	35,40	42	6	17	25	15	21	0,05	PHP 21-AT5-23RSB	
		38,21	24	1F	37,00	44	6	17	26	15	21	0,05	PHP 21-AT5-24RSB	
		39,80	25	1F	38,60	44	6	17	26	15	21	0,06	PHP 21-AT5-25RSB	
		41,38	26	1F	40,20	44	6	17	26	15	21	0,06	PHP 21-AT5-26RSB	
	42,98	27	1F	41,80	48	8	19	30	15	21	0,06	PHP 21-AT5-27RSB		
	44,56	28	1F	43,35	48	8	20	32	15	21	0,07	PHP 21-AT5-28RSB		
	47,76	30	1F	46,55	51	8	22	34	15	21	0,08	PHP 21-AT5-30RSB		
	50,94	32	1F	49,70	54	8	24	38	15	21	0,09	PHP 21-AT5-32RSB		
	57,31	36	1F	56,05	63	8	24	38	15	21	0,11	PHP 21-AT5-36RSB		
	60,48	38	1F	59,25	66	8	26	40	15	21	0,13	PHP 21-AT5-38RSB		
	63,66	40	1F	62,45	66	8	26	40	15	21	0,14	PHP 21-AT5-40RSB		
	66,74	42	1F	65,60	71	8	26	40	15	21	0,18	PHP 21-AT5-42RSB		
	70,05	44	1	68,80	-	8	29	45	15	21	0,19	PHP 21-AT5-44RSB		
	71,62	45	1	70,35	-	8	29	45	15	21	0,19	PHP 21-AT5-45RSB		
	76,42	48	1	75,15	-	8	32	50	15	21	0,20	PHP 21-AT5-48RSB		
	95,52	60	1	94,25	-	8	37	65	15	21	0,31	PHP 21-AT5-60RSB		
	114,62	72	1	113,15	-	10	42	80	15	21	0,41	PHP 21-AT5-72RSB		
	5	16	15,92	10	1F	14,65	20	4	5	8	21	27	0,02	PHP 27-AT5-10RSB
			19,10	12	1F	17,85	23	4	7	12	21	27	0,02	PHP 27-AT5-12RSB
			20,69	13	1F	19,45	25	6	8	13	21	27	0,02	PHP 27-AT5-13RSB
22,29			14	1F	21,05	26	6	9	14	21	27	0,03	PHP 27-AT5-14RSB	
23,88			15	1F	22,65	28	6	10	16	21	27	0,03	PHP 27-AT5-15RSB	
25,47			16	1F	24,20	32	6	11	18	21	27	0,04	PHP 27-AT5-16RSB	
27,06			17	1F	25,80	32	6	12	19	21	27	0,04	PHP 27-AT5-17RSB	
28,65			18	1F	27,40	32	6	13	20	21	27	0,04	PHP 27-AT5-18RSB	
30,25			19	1F	29,00	36	6	14	22	21	27	0,05	PHP 27-AT5-19RSB	
31,83			20	1F	30,60	36	6	15	23	21	27	0,05	PHP 27-AT5-20RSB	
33,42			21	1F	32,20	38	6	15	24	21	27	0,05	PHP 27-AT5-21RSB	
35,02			22	1F	33,85	38	6	15	24	21	27	0,05	PHP 27-AT5-22RSB	
36,61			23	1F	35,40	42	6	17	25	21	27	0,07	PHP 27-AT5-23RSB	
38,21			24	1F	37,00	44	6	17	26	21	27	0,08	PHP 27-AT5-24RSB	
39,80			25	1F	38,60	44	6	17	26	21	27	0,08	PHP 27-AT5-25RSB	
41,38			26	1F	40,20	44	6	17	26	21	27	0,09	PHP 27-AT5-26RSB	
42,98		27	1F	41,80	48	8	19	30	21	27	0,09	PHP 27-AT5-27RSB		
44,56		28	1F	43,35	48	8	20	32	21	27	0,09	PHP 27-AT5-28RSB		
47,76		30	1F	46,55	51	8	22	34	21	27	0,11	PHP 27-AT5-30RSB		
50,94		32	1F	49,70	54	8	24	38	21	27	0,12	PHP 27-AT5-32RSB		
57,31		36	1F	56,05	63	8	24	38	21	27	0,16	PHP 27-AT5-36RSB		
60,48		38	1F	59,25	66	8	26	40	21	27	0,18	PHP 27-AT5-38RSB		
63,66		40	1F	62,45	66	8	26	40	21	27	0,19	PHP 27-AT5-40RSB		
66,74		42	1F	65,60	71	8	26	40	21	27	0,21	PHP 27-AT5-42RSB		
70,05		44	1	68,80	-	8	29	45	21	27	0,23	PHP 27-AT5-44RSB		

Metric timing pulleys

5 mm pitch type AT pilot bore (RSB) | 10 mm pitch type AT pilot bore (RSB)

Pitch	Belt width	Pitch diameter PD	Number of teeth	Pulley type	Dimensions							Mass	Designation		
					Outer diameter OD	A	B Min.	Max.	H	F	L				
mm					mm						kg				
5	16	71,62	45	1	70,35	-	8	29	45	21	27	0,26	PHP 27-AT5-45RSB		
		76,42	48	1	75,15	-	8	32	50	21	27	0,28	PHP 27-AT5-48RSB		
		95,52	60	1	94,25	-	8	37	65	21	27	0,43	PHP 27-AT5-60RSB		
		114,62	72	1	113,15	-	10	42	80	21	27	0,41	PHP 27-AT5-72RSB		
5	25	15,92	10	1F	14,65	20	4	5	8	30	36	0,02	PHP 36-AT5-10RSB		
		19,10	12	1F	17,85	23	6	7	12	30	36	0,03	PHP 36-AT5-12RSB		
		20,69	13	1F	19,45	25	6	8	13	30	36	0,03	PHP 36-AT5-13RSB		
		22,29	14	1F	21,05	26	6	9	14	30	36	0,04	PHP 36-AT5-14RSB		
		23,88	15	1F	22,65	28	6	10	16	30	36	0,04	PHP 36-AT5-15RSB		
		25,47	16	1F	24,20	32	6	11	18	30	36	0,05	PHP 36-AT5-16RSB		
		27,06	17	1F	25,80	32	6	12	19	30	36	0,06	PHP 36-AT5-17RSB		
		28,65	18	1F	27,40	32	6	13	20	30	36	0,06	PHP 36-AT5-18RSB		
		30,25	19	1F	29,00	36	6	14	22	30	36	0,07	PHP 36-AT5-19RSB		
		31,83	20	1F	30,60	36	6	15	23	30	36	0,08	PHP 36-AT5-20RSB		
		33,42	21	1F	32,20	38	6	15	24	30	36	0,08	PHP 36-AT5-21RSB		
		35,02	22	1F	33,85	38	6	15	24	30	36	0,08	PHP 36-AT5-22RSB		
		36,61	23	1F	35,40	42	6	16	25	30	36	0,09	PHP 36-AT5-23RSB		
		38,21	24	1F	37,00	44	8	17	26	30	36	0,11	PHP 36-AT5-24RSB		
		39,80	25	1F	38,60	44	8	17	26	30	36	0,12	PHP 36-AT5-25RSB		
		41,38	26	1F	40,20	44	8	17	26	30	36	0,12	PHP 36-AT5-26RSB		
		42,98	27	1F	41,80	48	8	19	30	30	36	0,13	PHP 36-AT5-27RSB		
		44,56	28	1F	43,35	48	8	20	32	30	36	0,13	PHP 36-AT5-28RSB		
		47,76	30	1F	46,55	51	8	22	34	30	36	0,15	PHP 36-AT5-30RSB		
		50,94	32	1F	49,70	54	8	24	38	30	36	0,18	PHP 36-AT5-32RSB		
		57,31	36	1F	56,05	63	8	24	38	30	36	0,23	PHP 36-AT5-36RSB		
		60,48	38	1F	59,25	66	8	26	40	30	36	0,25	PHP 36-AT5-38RSB		
		63,66	40	1F	62,45	66	8	26	40	30	36	0,28	PHP 36-AT5-40RSB		
		66,74	42	1F	65,60	71	8	26	40	30	36	0,28	PHP 36-AT5-42RSB		
		70,05	44	1	68,80	-	8	29	45	30	36	0,32	PHP 36-AT5-44RSB		
		71,62	45	1	70,35	-	8	30	45	30	36	0,36	PHP 36-AT5-45RSB		
		76,42	48	1	75,15	-	8	32	50	30	36	0,40	PHP 36-AT5-48RSB		
		95,52	60	1	94,25	-	8	37	65	30	36	0,61	PHP 36-AT5-60RSB		
		114,62	72	1	113,15	-	10	42	80	30	36	0,83	PHP 36-AT5-72RSB		
		10	16	38,20	12	1F	36,35	42	6	18	28	21	31	0,08	PHP 31-AT10-12RSB
				44,60	14	1F	42,70	48	8	21	32	21	31	0,10	PHP 31-AT10-14RSB
				47,75	15	1F	45,90	51	8	21	32	21	31	0,12	PHP 31-AT10-15RSB
				50,93	16	1F	49,05	54	8	23	35	21	31	0,13	PHP 31-AT10-16RSB
				54,11	17	1F	52,25	58	8	24	38	21	31	0,15	PHP 31-AT10-17RSB
				57,29	18	1F	55,45	60	8	26	40	21	31	0,17	PHP 31-AT10-18RSB
				60,48	19	1F	58,65	66	8	28	44	21	31	0,19	PHP 31-AT10-19RSB
				63,66	20	1F	61,80	66	8	30	46	21	31	0,21	PHP 31-AT10-20RSB
				66,85	21	1F	65,00	71	8	32	48	21	31	0,23	PHP 31-AT10-21RSB
				70,03	22	1F	68,15	75	8	34	52	21	31	0,25	PHP 31-AT10-22RSB
				73,21	23	1F	71,35	77	8	36	55	21	31	0,27	PHP 31-AT10-23RSB
76,39	24			1F	74,55	83	8	38	58	21	31	0,29	PHP 31-AT10-24RSB		
79,58	25			1F	77,75	83	8	39	60	21	31	0,31	PHP 31-AT10-25RSB		
82,76	26			1F	80,90	87	8	39	60	21	31	0,36	PHP 31-AT10-26RSB		
85,95	27			1F	84,10	91	8	39	60	21	31	0,36	PHP 31-AT10-27RSB		
89,25	28			1F	87,25	93	8	39	60	21	31	0,40	PHP 31-AT10-28RSB		
95,49	30			1F	93,65	99	8	39	60	21	31	0,44	PHP 31-AT10-30RSB		
101,86	32			1F	100,00	106	10	42	65	21	31	0,49	PHP 31-AT10-32RSB		
114,59	36			1F	112,75	119	10	45	70	21	31	0,63	PHP 31-AT10-36RSB		
120,96	38			1F	119,10	125	10	48	75	21	31	0,70	PHP 31-AT10-38RSB		
127,32	40			1F	125,45	131	10	52	80	21	31	0,77	PHP 31-AT10-40RSB		
133,69	42			1	131,85	-	10	57	80	21	31	0,88	PHP 31-AT10-42RSB		
140,05	44			1	138,20	-	10	57	88	21	31	0,99	PHP 31-AT10-44RSB		
143,24	45			1	141,40	-	16	59	90	21	31	1,01	PHP 31-AT10-45RSB		
152,78	48			1	150,95	-	16	62	95	21	31	1,09	PHP 31-AT10-48RSB		
190,98	60			1	189,15	-	16	72	110	21	31	1,71	PHP 31-AT10-60RSB		
10	25			38,20	12	1F	36,40	42	6	18	28	30	40	0,10	PHP 40-AT10-12RSB
				44,60	14	1F	42,70	48	8	21	32	30	40	0,13	PHP 40-AT10-14RSB
				47,80	15	1F	45,90	51	8	21	32	30	40	0,15	PHP 40-AT10-15RSB
				50,90	16	1F	49,10	54	8	23	35	30	40	0,18	PHP 40-AT10-16RSB
				54,10	17	1F	52,20	58	8	24	37	30	40	0,20	PHP 40-AT10-17RSB
				57,30	18	1F	55,50	60	8	26	40	30	40	0,22	PHP 40-AT10-18RSB
				60,50	19	1F	58,60	66	8	28	44	30	40	0,25	PHP 40-AT10-19RSB
				63,70	20	1F	61,80	66	8	30	46	30	40	0,28	PHP 40-AT10-20RSB
				66,80	21	1F	65,00	71	8	32	49	30	40	0,31	PHP 40-AT10-21RSB
				70,00	22	1F	68,20	75	8	34	52	30	40	0,34	PHP 40-AT10-22RSB
				73,20	23	1F	71,30	77	8	36	55	30	40	0,36	PHP 40-AT10-23RSB
				76,40	24	1F	74,50	83	8	38	58	30	40	0,39	PHP 40-AT10-24RSB
				79,60	25	1F	77,80	83	8	39	60	30	40	0,42	PHP 40-AT10-25RSB
				82,80	26	1F	80,90	87	8	39	60	30	40	0,48	PHP 40-AT10-26RSB

Metric timing pulleys
10 mm pitch type AT pilot bore (RSB)



Pitch	Belt width	Pitch diameter PD	Number of teeth	Pulley type	Dimensions							Mass	Designation		
					Outer diameter OD	A	B Min.	Max.	H	F	L				
mm					mm							kg			
10	25	86,00	27	1F	84,10	91	8	39	60	30	40	0,54	PHP 40-AT10-27RSB		
		89,20	28	1F	87,20	93	8	39	60	30	40	0,54	PHP 40-AT10-28RSB		
		95,50	30	1F	93,70	99	8	39	60	30	40	0,64	PHP 40-AT10-30RSB		
		101,90	32	1F	100,00	106	10	42	65	30	40	0,69	PHP 40-AT10-32RSB		
		114,60	36	1F	112,80	119	10	45	70	30	40	0,87	PHP 40-AT10-36RSB		
		121,00	38	1F	119,10	125	10	48	75	30	40	0,97	PHP 40-AT10-38RSB		
		127,30	40	1F	125,50	131	10	52	80	30	40	1,07	PHP 40-AT10-40RSB		
		133,70	42	1	131,80	-	10	57	80	30	40	1,21	PHP 40-AT10-42RSB		
		140,10	44	1	138,20	-	10	57	88	30	40	1,35	PHP 40-AT10-44RSB		
		143,20	45	1	141,40	-	16	59	90	30	40	1,43	PHP 40-AT10-45RSB		
		152,80	48	1	150,90	-	16	62	95	30	40	1,52	PHP 40-AT10-48RSB		
		191,00	60	1	189,20	-	16	72	110	30	40	2,34	PHP 40-AT10-60RSB		
		10	32	57,29	18	1F	55,45	60	8	26	40	37	47	0,25	PHP 47-AT10-18RSB
				60,48	19	1F	58,65	66	8	28	44	37	47	0,29	PHP 47-AT10-19RSB
				63,66	20	1F	61,80	66	8	30	46	37	47	0,32	PHP 47-AT10-20RSB
				66,85	21	1F	65,00	71	8	32	49	37	47	0,36	PHP 47-AT10-21RSB
				70,03	22	1F	68,15	75	8	34	52	37	47	0,39	PHP 47-AT10-22RSB
				73,21	23	1F	71,35	77	8	36	55	37	47	0,43	PHP 47-AT10-23RSB
76,39	24			1F	74,55	83	8	38	58	37	47	0,48	PHP 47-AT10-24RSB		
79,58	25			1F	77,75	83	8	39	60	37	47	0,53	PHP 47-AT10-25RSB		
82,76	26			1F	80,90	87	8	39	60	37	47	0,56	PHP 47-AT10-26RSB		
85,95	27			1F	84,10	91	8	39	60	37	47	0,60	PHP 47-AT10-27RSB		
89,25	28			1F	87,25	93	8	39	60	37	47	0,64	PHP 47-AT10-28RSB		
95,49	30			1F	93,65	99	8	39	60	37	47	0,74	PHP 47-AT10-30RSB		
101,86	32			1F	100,00	106	10	42	65	37	47	0,84	PHP 47-AT10-32RSB		
111,41	35			1F	109,55	115	10	45	70	37	47	0,96	PHP 47-AT10-35RSB		
114,59	36			1F	112,75	119	10	45	70	37	47	1,08	PHP 47-AT10-36RSB		
120,96	38			1F	119,10	125	10	48	75	37	47	1,20	PHP 47-AT10-38RSB		
127,32	40			1F	125,45	131	10	52	80	37	47	1,32	PHP 47-AT10-40RSB		
133,69	42			1	131,85	-	10	57	80	37	47	1,46	PHP 47-AT10-42RSB		
140,20	44	1	138,20	-	10	57	88	37	47	1,61	PHP 47-AT10-44RSB				
143,24	45	1	141,40	-	10	59	90	37	47	1,77	PHP 47-AT10-45RSB				
152,78	48	1	150,95	-	16	62	95	37	47	1,93	PHP 47-AT10-48RSB				
171,89	54	1	170,05	-	16	66	100	37	47	2,29	PHP 47-AT10-54RSB				
181,44	57	1	179,60	-	16	72	110	37	47	2,64	PHP 47-AT10-57RSB				
190,98	60	1	189,15	-	16	72	110	37	47	3,00	PHP 47-AT10-60RSB				
10	50	57,29	18	1F	55,45	60	10	26	40	56	66	0,42	PHP 66-AT10-18RSB		
		60,48	19	1F	58,65	66	10	28	44	56	66	0,47	PHP 66-AT10-19RSB		
		63,66	20	1F	61,80	66	12	30	46	56	66	0,52	PHP 66-AT10-20RSB		
		66,85	21	1F	65,00	71	12	32	49	56	66	0,55	PHP 66-AT10-21RSB		
		70,20	22	1F	68,15	75	12	34	52	56	66	0,57	PHP 66-AT10-22RSB		
		73,21	23	1F	71,35	77	12	36	55	56	66	0,65	PHP 66-AT10-23RSB		
		76,39	24	1F	74,55	83	12	38	58	56	66	0,74	PHP 66-AT10-24RSB		
		79,58	25	1F	77,75	83	12	39	60	56	66	0,77	PHP 66-AT10-25RSB		
		82,76	26	1F	80,90	87	12	39	60	56	66	0,82	PHP 66-AT10-26RSB		
		85,95	27	1F	84,10	90	12	39	60	56	66	0,95	PHP 66-AT10-27RSB		
		89,25	28	1F	87,25	93	12	39	60	56	66	0,96	PHP 66-AT10-28RSB		
		95,49	30	1F	93,65	99	12	39	60	56	66	1,17	PHP 66-AT10-30RSB		
		101,86	32	1F	100,00	106	12	42	65	56	66	1,30	PHP 66-AT10-32RSB		
		111,41	35	1F	109,55	115	16	45	70	56	66	1,47	PHP 66-AT10-35RSB		
		114,59	36	1F	112,75	119	16	45	70	56	66	1,64	PHP 66-AT10-36RSB		
		120,96	38	1F	119,10	125	16	48	75	56	66	1,82	PHP 66-AT10-38RSB		
		127,32	40	1F	125,45	131	16	52	80	56	66	2,00	PHP 66-AT10-40RSB		

Metric timing pulleys

10 mm pitch type AT pilot bore (RSB)

Pitch	Belt width	Pitch diameter PD	Number of teeth	Pulley type	Dimensions						Mass	Designation		
					Outer diameter OD	A	B Min.	Max.	H	F			L	
mm			–	–	mm						kg	–		
10	50	133,69	42	1	131,85	–	16	57	80	56	66	2,18	PHP 66-AT10-42RSB	
		140,20	44	1	138,20	–	16	57	88	56	66	2,36	PHP 66-AT10-44RSB	
		143,24	45	1	141,40	–	16	59	90	56	66	2,59	PHP 66-AT10-45RSB	
		152,78	48	1	150,95	–	16	62	95	56	66	2,83	PHP 66-AT10-48RSB	
		171,89	54	1	170,05	–	16	66	100	56	66	3,34	PHP 66-AT10-54RSB	
		181,44	57	1	179,60	–	16	72	110	56	66	3,85	PHP 66-AT10-57RSB	
		190,98	60	1	189,15	–	16	72	110	56	66	4,37	PHP 66-AT10-60RSB	