



Sprockets



Metric sprockets, simplex, pilot bore 176



ANSI sprockets, double simplex, taper bushed 238



Metric sprockets, simplex, taper bushed 186



ANSI sprockets, duplex, pilot bore . 239



Metric sprockets, double simplex, pilot bore 192



ANSI sprockets, duplex, taper bushed 244



Metric sprockets, double simplex, taper bushed 194



ANSI sprockets, triplex, pilot bore . 246



Metric sprockets, duplex, standard 196



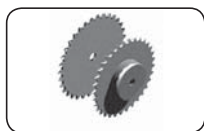
Metric sprockets, duplex, taper bushed 201



Metric sprockets, triplex, standard. 204



Metric sprockets, triplex, taper bushed 208



ANSI sprockets, simplex, pilot bore 209



ANSI sprockets, simplex, taper bushed 232



ANSI sprockets, double simplex, pilot bore 236

SKF Sprockets

SKF sprocket range nomenclature has a defined prefix of PHS. All sprockets are made to be applied to standardized chains. SKF sprockets conform to conventional basic chain part number format – ISO, BS, or DIN.

Sprockets

The sprocket range designation from SKF has the following is an example to indicate set up.

PHS 80-1 TBH 22

SKF Designation prefix

Chain size and type —————

Example:
80-1 – ANSI series chain, simplex type
16B-3 – ISO/BS series chain, triplex type

Supplementary —————

Many different supplementary designations, examples
TBH- taper bushing type and hardened teeth
C – Hub type C
SS – stainless steel material

Note
See SKF product training for full supplementary notations

Teeth —————

The number of teeth on the sprocket

Supplementary
Possible other options and special requirements

Sprockets (PHS Product Group)

All SKF sprockets are manufactured according to ISO606 & ASME B29.100 standard. The sprockets are made from steel material C-45 and premium carbon steel no. 20 on hub material if welded. For some special sprockets gray cast iron HT250 or cast iron 250 material is used.

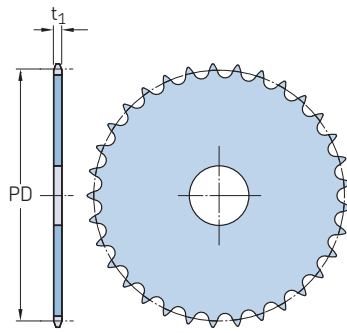
Sprockets 25T and below are hardened as standard (typically 35-40 HRC). This is only valid for sprocket teeths manufactured with steel material C-45. Surface treatment such as black oxide and zinc plating can be offered upon request.

Tolerances are machined according to DIN 8196.

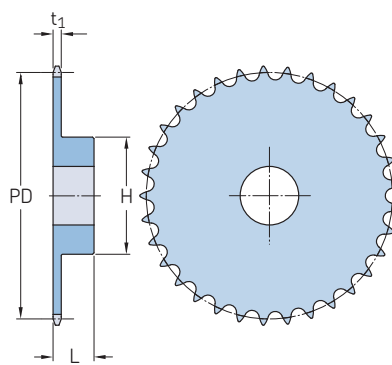
All sprockets are completely deburred and protected with rustproof oil.

Metric sprockets, simplex, pilot bore

ISO 05B-1 · 8 mm pitch



Type A



Type B

Pitch	Number of teeth	Pitch diameter	Type	Dimensions		Hub		Plate thickness	Mass	Designation
				Bore stock	Bore	H	L			
mm	-	mm	-	mm	mm	mm	mm	mm	kg	-
8	8	20,90	A	6	-	-	-	-	0,01	PHS 05B-1A8
			B	6	6	13	12	2,80	0,02	PHS 05B-1BH8
	9	23,39	A	6	-	-	-	-	0,01	PHS 05B-1A9
			B	6	6	15	12	2,80	0,02	PHS 05B-1BH9
	10	25,89	A	8	-	-	-	-	0,01	PHS 05B-1A10
			B	8	8	17	12	2,80	0,02	PHS 05B-1BH10
	11	28,39	A	8	-	-	-	-	0,01	PHS 05B-1A11
			B	8	8	18	13	2,80	0,03	PHS 05B-1BH11
	12	30,91	A	8	-	-	-	-	0,01	PHS 05B-1A12
			B	8	8	20	13	2,80	0,03	PHS 05B-1BH12
	13	33,42	A	8	-	-	-	-	0,01	PHS 05B-1A13
			B	8	8	23	13	2,80	0,05	PHS 05B-1BH13
	14	35,95	A	8	-	-	-	-	0,02	PHS 05B-1A14
			B	8	10	25	13	2,80	0,05	PHS 05B-1BH14
	15	38,48	A	8	-	-	-	-	0,02	PHS 05B-1A15
			B	8	12	28	13	2,80	0,07	PHS 05B-1BH15
	16	41,01	A	8	-	-	-	-	0,02	PHS 05B-1A16
			B	8	14	30	14	2,80	0,08	PHS 05B-1BH16
	17	43,53	A	8	-	-	-	-	0,03	PHS 05B-1A17
			B	8	14	30	14	2,80	0,09	PHS 05B-1BH17
	18	46,07	A	8	-	-	-	-	0,03	PHS 05B-1A18
			B	8	14	30	14	2,80	0,09	PHS 05B-1BH18
	19	48,61	A	8	-	-	-	-	0,03	PHS 05B-1A19
			B	8	14	30	14	2,80	0,10	PHS 05B-1BH19
	20	51,14	A	8	-	-	-	-	0,04	PHS 05B-1A20
			B	8	14	30	14	2,80	0,10	PHS 05B-1BH20
	21	53,67	A	8	-	-	-	-	0,04	PHS 05B-1A21
			B	8	19	35	14	2,80	0,13	PHS 05B-1BH21
	22	56,21	A	8	-	-	-	-	0,05	PHS 05B-1A22
B			8	19	35	14	2,80	0,13	PHS 05B-1BH22	
23	58,75	A	8	-	-	-	-	0,05	PHS 05B-1A23	
		B	8	19	35	14	2,80	0,13	PHS 05B-1BH23	
24	61,29	A	8	-	-	-	-	0,06	PHS 05B-1A24	
		B	8	19	35	14	2,80	0,15	PHS 05B-1BH24	
25	63,83	A	8	-	-	-	-	0,06	PHS 05B-1A25	
		B	8	19	35	14	2,80	0,15	PHS 05B-1BH25	
26	66,37	A	10	-	-	-	-	0,07	PHS 05B-1A26	
		B	10	23	40	16	2,80	0,17	PHS 05B-1B26	
27	68,91	A	10	-	-	-	-	0,07	PHS 05B-1A27	
		B	10	23	40	16	2,80	0,19	PHS 05B-1B27	
28	71,45	A	10	-	-	-	-	0,08	PHS 05B-1A28	
		B	10	23	40	16	2,80	0,20	PHS 05B-1B28	
29	73,99	A	10	-	-	-	-	0,08	PHS 05B-1A29	
		B	10	23	40	16	2,80	0,21	PHS 05B-1B29	

Pitch	Number of teeth	Pitch diameter	Type	Dimensions		Hub		Plate thickness	Mass	Designation
				Bore stock	Bore	H	L			
mm	-	mm	-	mm	mm	mm	mm	mm	kg	-
8	30	76,53	A	10	-	-	-	-	0,09	PHS 05B-1A30
			B	10	23	40	16	2,80	0,22	PHS 05B-1B30
	31	79,08	A	10	-	-	-	-	0,10	PHS 05B-1A31
			B	10	23	40	16	2,80	0,23	PHS 05B-1B31
	32	81,61	A	10	-	-	-	-	0,11	PHS 05B-1A32
			B	10	23	40	16	2,80	0,23	PHS 05B-1B32
	33	84,16	A	10	-	-	-	-	0,12	PHS 05B-1A33
			B	10	23	40	16	2,80	0,24	PHS 05B-1B33
	34	86,70	A	10	-	-	-	-	0,12	PHS 05B-1A34
			B	10	23	40	16	2,80	0,25	PHS 05B-1B34
	35	89,24	A	10	-	-	-	-	0,12	PHS 05B-1A35
			B	10	23	40	16	2,80	0,25	PHS 05B-1B35
	36	91,79	A	10	-	-	-	-	0,13	PHS 05B-1A36
			B	10	23	40	16	2,80	0,26	PHS 05B-1B36
	37	94,33	A	10	-	-	-	-	0,14	PHS 05B-1A37
			B	10	23	40	16	2,80	0,26	PHS 05B-1B37
	38	96,88	A	10	-	-	-	-	0,15	PHS 05B-1A38
			B	10	23	40	16	2,80	0,27	PHS 05B-1B38
	39	99,42	A	10	-	-	-	-	0,16	PHS 05B-1A39
			B	10	23	40	16	2,80	0,28	PHS 05B-1B39
	40	101,97	A	10	-	-	-	-	0,16	PHS 05B-1A40
			B	10	23	40	16	2,80	0,28	PHS 05B-1B40
	41	104,51	A	12	-	-	-	-	0,17	PHS 05B-1A41
			B	10	23	60	20	2,80	0,29	PHS 05B-1B41
	42	107,05	A	12	-	-	-	-	0,18	PHS 05B-1A42
			B	10	23	60	20	2,80	0,30	PHS 05B-1B42
	43	109,60	A	12	-	-	-	-	0,19	PHS 05B-1A43
			B	10	23	60	20	2,80	0,30	PHS 05B-1B43
	44	112,14	A	12	-	-	-	-	0,20	PHS 05B-1A44
			B	10	23	60	20	2,80	0,31	PHS 05B-1B44
45	114,69	A	12	-	-	-	-	0,21	PHS 05B-1A45	
		B	12	40	60	20	2,80	0,31	PHS 05B-1B45	
46	117,23	A	12	-	-	-	-	0,21	PHS 05B-1A46	
		B	12	40	60	20	2,80	0,32	PHS 05B-1B46	
47	119,77	A	12	-	-	-	-	0,32	PHS 05B-1A47	
		B	12	40	60	20	2,80	0,33	PHS 05B-1B47	
48	122,32	A	12	-	-	-	-	0,34	PHS 05B-1A48	
		B	12	40	60	20	2,80	0,33	PHS 05B-1B48	
54	137,59	A	14	-	-	-	-	0,67	PHS 05B-1A54	
		B	12	40	80	20	2,80	0,37	PHS 05B-1B54	
57	145,22	A	14	-	-	-	-	1,47	PHS 05B-1A57	
		B	14	55	80	20	2,80	0,39	PHS 05B-1B57	
60	152,85	A	14	-	-	-	-	1,53	PHS 05B-1A60	
		B	14	55	80	34	2,80	0,41	PHS 05B-1B60	

Maximum bores can accommodate standard keyways. Larger bores are available where a shallow keyway is used or no keyway is required. All Type B or C sprockets, up to and including 25 tooth, are with hardened teeth as standard. For any additional size sprockets with hardened teeth, add "H" before the number of teeth, e.g. PHS 08B-1AH8.

Metric sprockets, simplex, pilot bore

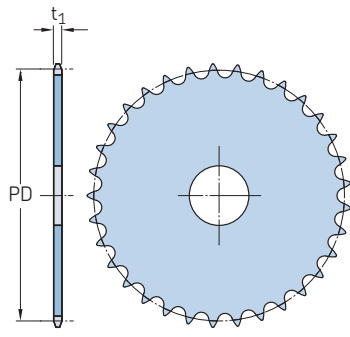
ISO 05B-1 · 8 mm pitch | ISO 06B-1 · 9,525 mm pitch

Pitch	Number of teeth	Pitch diameter	Type	Dimensions			Hub	Plate thickness	Mass	Designation	Pitch	Number of teeth	Pitch diameter	Type	Dimensions			Hub	Plate thickness	Mass	Designation									
				Bore stock	Bore										Bore stock	Bore						H	L	t ₁	Bore stock	Bore		H	L	t ₁
				Min.	Max.										Min.	Max.									Min.	Max.				
mm	-	mm	-	mm	-	mm	-	mm	-	mm	-	mm	-	mm	-	mm	-	kg	-											
8	64	163,04	A	16	-	-	-	-	1,62	PHS 05B-1A64	9,525	28	85,07	A	10	-	-	-	-	0,21	PHS 06B-1A28									
			B	-	14	55	80	34	2,80	0,43					PHS 05B-1B64	B	-	12	40	60	28	5,31	0,70	PHS 06B-1B28						
	70	178,31	A	16	-	-	-	-	1,74	PHS 05B-1A70	29	88,09	A	10	-	-	-	-	0,23	PHS 06B-1A29										
			B	-	14	55	80	34	2,80	0,47				PHS 05B-1B70	B	-	12	40	60	28	5,31	0,72	PHS 06B-1B29							
	72	183,41	A	20	-	-	-	-	1,79	PHS 05B-1A72	30	91,12	A	10	-	-	-	-	0,25	PHS 06B-1A30										
			B	-	14	55	80	34	2,80	0,48				PHS 05B-1B72	B	-	12	40	60	28	5,31	0,77	PHS 06B-1B30							
	76	193,59	A	20	-	-	-	-	1,87	PHS 05B-1A76	31	94,15	A	12	-	-	-	-	0,26	PHS 06B-1A31										
			B	-	20	55	80	34	2,80	0,51				PHS 05B-1B76	B	-	14	43	65	30	5,31	0,88	PHS 06B-1B31							
	80	203,77	A	20	-	-	-	-	1,95	PHS 05B-1A80	32	97,17	A	12	-	-	-	-	0,28	PHS 06B-1A32										
			B	-	20	55	80	34	2,80	0,53				PHS 05B-1B80	B	-	14	43	65	30	5,31	0,90	PHS 06B-1B32							
	84	213,95	A	20	-	-	-	-	2,04	PHS 05B-1A84	33	100,20	A	12	-	-	-	-	0,30	PHS 06B-1A33										
			B	-	20	55	80	34	2,80	0,56				PHS 05B-1B84	B	-	14	43	65	30	5,31	0,91	PHS 06B-1B33							
	90	229,23	A	20	-	-	-	-	2,16	PHS 05B-1A90	34	103,23	A	12	-	-	-	-	0,32	PHS 06B-1A34										
			B	-	20	55	80	34	2,80	0,60				PHS 05B-1B90	B	-	14	43	65	30	5,31	0,94	PHS 06B-1B34							
95	241,96	A	20	-	-	-	-	2,27	PHS 05B-1A95	35	106,26	A	12	-	-	-	-	0,34	PHS 06B-1A35											
		B	-	20	55	80	34	2,80	0,63				PHS 05B-1B95	B	-	14	43	65	30	5,31	0,95	PHS 06B-1B35								
96	244,50	A	20	-	-	-	-	2,29	PHS 05B-1A96	36	109,29	A	12	-	-	-	-	0,35	PHS 06B-1A36											
		B	-	20	55	80	34	2,80	0,63				PHS 05B-1B96	B	-	14	48	70	30	5,31	1,07	PHS 06B-1B36								
114	290,33	A	20	-	-	-	-	2,67	PHS 05B-1A114	37	112,32	A	12	-	-	-	-	0,38	PHS 06B-1A37											
		B	-	20	55	88	39	2,80	0,75				PHS 05B-1B114	B	-	14	48	70	30	5,31	1,09	PHS 06B-1B37								
9,525	8	24,89	A	6	-	-	-	-	0,02	PHS 06B-1A8	38	115,35	A	12	-	-	-	-	0,39	PHS 06B-1A38										
			B	-	6	6	15+20	5,31	0,03	PHS 06B-1B8				B	-	14	48	70	30	5,31	1,10	PHS 06B-1B38								
	9	27,85	A	8	-	-	-	-	0,02	PHS 06B-1A9	39	118,37	A	12	-	-	-	-	0,42	PHS 06B-1A39										
			B	-	8	8	18+20	5,31	0,04	PHS 06B-1B9				B	-	14	48	70	30	5,31	1,12	PHS 06B-1B39								
	10	30,82	A	8	-	-	-	-	0,02	PHS 06B-1A10	40	121,40	A	12	-	-	-	-	0,44	PHS 06B-1A40										
			B	-	8	8	20	20	5,31	0,06				PHS 06B-1B10	B	-	14	48	70	30	5,31	1,16	PHS 06B-1B40							
	11	33,80	A	8	-	-	-	-	0,03	PHS 06B-1A11	41	124,43	A	16	-	-	-	-	0,46	PHS 06B-1A41										
			B	-	8	8	22	25	5,31	0,08				PHS 06B-1B11	B	-	14	48	78	32	5,31	1,28	PHS 06B-1B41							
	12	36,80	A	8	-	-	-	-	0,04	PHS 06B-1A12	42	127,46	A	16	-	-	-	-	0,48	PHS 06B-1A42										
			B	-	8	10	25	25	5,31	0,10				PHS 06B-1B12	B	-	14	48	78	32	5,31	1,36	PHS 06B-1B42							
	13	39,79	A	8	-	-	-	-	0,05	PHS 06B-1A13	43	130,49	A	16	-	-	-	-	0,51	PHS 06B-1A43										
			B	-	10	12	28	25	5,31	0,12				PHS 06B-1B13	B	-	14	48	78	32	5,31	1,44	PHS 06B-1B43							
	14	42,80	A	8	-	-	-	-	0,05	PHS 06B-1A14	44	133,52	A	16	-	-	-	-	0,54	PHS 06B-1A44										
			B	-	10	15	31	25	5,31	0,15				PHS 06B-1B14	B	-	14	48	78	32	5,31	1,52	PHS 06B-1B44							
	15	45,81	A	8	-	-	-	-	0,06	PHS 06B-1A15	45	136,55	A	16	-	-	-	-	0,56	PHS 06B-1A45										
			B	-	10	18	34	25	5,31	0,19				PHS 06B-1B15	B	-	14	40	78	32	5,31	1,40	PHS 06B-1B45							
	16	48,82	A	10	-	-	-	-	0,07	PHS 06B-1A16	46	139,58	A	16	-	-	-	-	0,59	PHS 06B-1A46										
			B	-	10	20	37	28	5,31	0,24				PHS 06B-1B16	B	-	14	48	78	32	5,31	1,68	PHS 06B-1B46							
	17	51,83	A	10	-	-	-	-	0,07	PHS 06B-1A17	47	142,61	A	16	-	-	-	-	0,61	PHS 06B-1A47										
B			-	10	23	40	28	5,31	0,29	PHS 06B-1B17				B	-	14	48	78	32	5,31	1,76	PHS 06B-1B47								
18	54,85	A	10	-	-	-	-	0,08	PHS 06B-1A18	48	145,64	A	16	-	-	-	-	0,63	PHS 06B-1A48											
		B	-	10	26	43	28	5,31	0,33				PHS 06B-1B18	B	-	14	48	78	32	5,31	1,84	PHS 06B-1B48								
19	57,87	A	10	-	-	-	-	0,09	PHS 06B-1A19	50	151,69	A	16	-	-	-	-	0,65	PHS 06B-1A50											
		B	-	10	28	45	28	5,31	0,37				PHS 06B-1B19	B	-	14	48	78	32	5,31	2,06	PHS 06B-1B50								
20	60,89	A	10	-	-	-	-	0,10	PHS 06B-1A20	54	163,82	A	16	-	-	-	-	0,68	PHS 06B-1A54											
		B	-	10	28	46	28	5,31	0,39				PHS 06B-1B20	B	-	14	48	78	32	5,31	2,32	PHS 06B-1B54								
21	63,91	A	10	-	-	-	-	0,11	PHS 06B-1A21	57	172,91	A	16	-	-	-	-	1,71	PHS 06B-1A57											
		B	-	12	30	48	28	5,31	0,42				PHS 06B-1B21	B	-	14	40	78	32	5,31	1,70	PHS 06B-1B57								
22	66,93	A	10	-	-	-	-	0,13	PHS 06B-1A22	60	182,00	A	16	-	-	-	-	0,91	PHS 06B-1A60											
		B	-	12	35	50	28	5,31	0,46				PHS 06B-1B22	B	-	14	48	78	32	5,31	2,80	PHS 06B-1B60								
23	69,95	A	10	-	-	-	-	0,14	PHS 06B-1A23	64	194,12	A	20	-	-	-	-	0,97	PHS 06B-1A64											
		B	-	12	35	52	28	5,31	0,50				PHS 06B-1B23	B	-	14	48	78	32	5,31	3,12	PHS 06B-1B64								
24	72,97	A	10	-	-	-	-	0,15	PHS 06B-1A24	65	197,15	A	20	-	-	-	-	1,01	PHS 06B-1A65											
		B	-	12	35	54	28	5,31	0,54				PHS 06B-1B24	B	-	14	48	78	32	5,31	3,31	PHS 06B-1B65								
25	76,00	A	10	-	-	-	-	0,17	PHS 06B-1A25	70	212,30	A	20	-	-	-	-	1,06	PHS 06B-1A70											
		B	-	12	40	57	28	5,31	0,60				PHS 06B-1B25	B	-	14	48	78	32	5,31	3,60	PHS 06B-1B70								
26	79,02	A	10	-	-	-	-	0,18	PHS 06B-1A26	72	218,37	A	20	-	-	-	-	1,09	PHS 06B-1A72											
		B	-	12	40	60	28	5,31	0,67				PHS 06B-1B26	B	-	14	48	78	32	5,31	3,76	PHS 06B-1B72								
27	82,05	A	10	-	-	-	-	0,19	PHS 06B-1A27	76	230,49	A	20	-	-	-	-	1,64	PHS 06B-1A76											
		B	-	12	40	60	28	5,31	0,68				PHS 06B-1B27	B	-	14	48	78	32	5,31	2,79	PHS 06B-1B76								

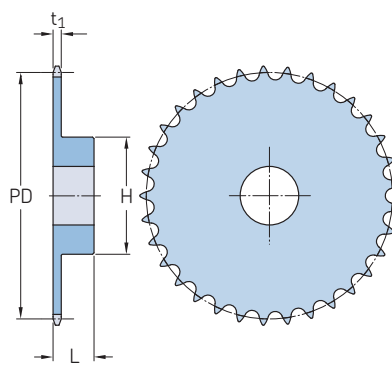
Maximum bores can accommodate standard keyways. Larger bores are available where a shallow keyway is used or no keyway is required. All Type B or C sprockets, up to and including 25 tooth, are with hardened teeth as standard. For any additional size sprockets with hardened teeth, add "H" before the number of teeth, e.g. PHS 08B-1AH8.

Metric sprockets, simplex, pilot bore

ISO 06B-1 · 9,525 mm pitch | ISO 08B-1 · 12,70 mm pitch



Type A



Type B

Pitch	Number of teeth	Pitch diameter	Type	Dimensions		Hub		Plate thickness	Mass	Designation
				Bore stock	Bore	H	L			
mm	-	mm	-	mm	mm	mm	mm	t ₁	kg	-
9,525	80	242,61	A	20	-	-	-	-	1,53	PHS 06B-1A80
			B	-	14	52	78	32	5,31	4,40
	84	254,74	A	20	-	-	-	-	1,60	PHS 06B-1A84
			B	-	14	52	80	32	5,31	4,72
	85	257,77	A	20	-	-	-	-	1,66	PHS 06B-1A85
			B	-	14	52	80	32	5,31	4,93
	90	272,93	A	20	-	-	-	-	1,72	PHS 06B-1A90
			B	-	14	55	80	32	5,31	5,20
	92	278,99	A	20	-	-	-	-	2,16	PHS 06B-1A92
			B	-	14	55	80	32	5,31	5,45
	95	288,08	A	20	-	-	-	-	2,60	PHS 06B-1A95
B			-	14	55	80	32	5,31	3,95	PHS 06B-1B95
96	291,11	A	20	-	-	-	-	2,20	PHS 06B-1A96	
		B	-	14	55	80	32	5,31	5,68	PHS 06B-1B96
114	345,68	A	20	-	-	-	-	3,13	PHS 06B-1A114	
		B	-	14	55	80	32	5,31	7,12	PHS 06B-1B114
12,70	8	33,18	A	8	-	-	-	-	0,03	PHS 08B-1A8
			B	-	10	10	20	25	7,37	0,06
	9	37,13	A	8	-	-	-	-	0,04	PHS 08B-1A9
			B	-	10	10	24	25	7,37	0,09
	10	41,10	A	8	-	-	-	-	0,06	PHS 08B-1A10
			B	-	10	11	26	25	7,37	0,12
	11	45,07	A	10	-	-	-	-	0,07	PHS 08B-1A11
			B	-	10	13	29	25	7,37	0,15
	12	49,07	A	10	-	-	-	-	0,09	PHS 08B-1A12
			B	-	10	17	33	28	7,37	0,21
	13	53,06	A	10	-	-	-	-	0,10	PHS 08B-1A13
B			-	10	20	37	28	7,37	0,27	PHS 08B-1B13
14	57,07	A	10	-	-	-	-	0,12	PHS 08B-1A14	
		B	-	10	24	41	28	7,37	0,33	PHS 08B-1B14
15	61,09	A	10	-	-	-	-	0,13	PHS 08B-1A15	
		B	-	10	28	45	28	7,37	0,39	PHS 08B-1B15
16	65,10	A	10	-	-	-	-	0,16	PHS 08B-1A16	
		B	-	12	30	50	28	7,37	0,46	PHS 08B-1B16
17	69,11	A	10	-	-	-	-	0,18	PHS 08B-1A17	
		B	-	12	30	52	28	7,37	0,51	PHS 08B-1B17
18	73,14	A	10	-	-	-	-	0,20	PHS 08B-1A18	
		B	-	12	35	56	28	7,37	0,59	PHS 08B-1B18
19	77,16	A	10	-	-	-	-	0,23	PHS 08B-1A19	
		B	-	12	40	60	28	7,37	0,67	PHS 08B-1B19
20	81,19	A	10	-	-	-	-	0,25	PHS 08B-1A20	
		B	-	12	40	64	28	7,37	0,77	PHS 08B-1B20
21	85,22	A	12	-	-	-	-	0,26	PHS 08B-1A21	
		B	-	12	40	68	28	7,37	0,85	PHS 08B-1B21

Pitch	Number of teeth	Pitch diameter	Type	Dimensions		Hub		Plate thickness	Mass	Designation
				Bore stock	Bore	H	L			
mm	-	mm	-	mm	mm	mm	mm	t ₁	kg	-
12,70	22	89,24	A	12	-	-	-	-	0,30	PHS 08B-1A22
			B	-	12	40	70	28	7,37	0,92
	23	93,27	A	12	-	-	-	-	0,34	PHS 08B-1A23
			B	-	14	40	70	28	7,37	0,95
	24	97,29	A	12	-	-	-	-	0,37	PHS 08B-1A24
			B	-	14	40	70	28	7,37	0,98
	25	101,33	A	12	-	-	-	-	0,41	PHS 08B-1A25
			B	-	14	40	70	28	7,37	1,01
	26	105,36	A	16	-	-	-	-	0,44	PHS 08B-1A26
			B	-	16	46	70	30	7,37	1,09
	27	109,40	A	16	-	-	-	-	0,48	PHS 08B-1A27
B			-	16	46	70	30	7,37	1,13	PHS 08B-1B27
28	113,42	A	16	-	-	-	-	0,51	PHS 08B-1A28	
		B	-	16	46	70	30	7,37	1,17	PHS 08B-1B28
29	117,46	A	16	-	-	-	-	0,55	PHS 08B-1A29	
		B	-	16	46	80	30	7,37	1,41	PHS 08B-1B29
30	121,50	A	16	-	-	-	-	0,59	PHS 08B-1A30	
		B	-	16	46	80	30	7,37	1,46	PHS 08B-1B30
31	125,54	A	16	-	-	-	-	0,63	PHS 08B-1A31	
		B	-	16	46	90	30	7,37	1,75	PHS 08B-1B31
32	129,56	A	16	-	-	-	-	0,68	PHS 08B-1A32	
		B	-	16	46	90	30	7,37	1,79	PHS 08B-1B32
33	133,60	A	16	-	-	-	-	0,72	PHS 08B-1A33	
		B	-	16	46	90	30	7,37	1,83	PHS 08B-1B33
34	137,64	A	16	-	-	-	-	0,78	PHS 08B-1A34	
		B	-	16	46	90	30	7,37	1,87	PHS 08B-1B34
35	141,68	A	16	-	-	-	-	0,81	PHS 08B-1A35	
		B	-	16	46	90	30	7,37	1,94	PHS 08B-1B35
36	145,72	A	16	-	-	-	-	0,87	PHS 08B-1A36	
		B	-	16	50	90	35	7,37	2,21	PHS 08B-1B36
37	149,76	A	16	-	-	-	-	0,92	PHS 08B-1A37	
		B	-	16	50	90	35	7,37	2,24	PHS 08B-1B37
38	153,80	A	16	-	-	-	-	0,97	PHS 08B-1A38	
		B	-	16	50	90	35	7,37	2,33	PHS 08B-1B38
39	157,83	A	16	-	-	-	-	1,02	PHS 08B-1A39	
		B	-	16	50	90	35	7,37	2,30	PHS 08B-1B39
40	161,87	A	16	-	-	-	-	1,08	PHS 08B-1A40	
		B	-	16	50	90	35	7,37	2,44	PHS 08B-1B40
41	165,91	A	20	-	-	-	-	1,10	PHS 08B-1A41	
		B	-	16	50	90	40	7,37	2,41	PHS 08B-1B41
42	169,95	A	20	-	-	-	-	1,00	PHS 08B-1A42	
		B	-	16	60	90	40	7,37	2,38	PHS 08B-1B42
43	173,99	A	20	-	-	-	-	1,24	PHS 08B-1A43	
		B	-	16	50	90	40	7,37	2,35	PHS 08B-1B43

Maximum bores can accommodate standard keyways. Larger bores are available where a shallow keyway is used or no keyway is required. All Type B or C sprockets, up to and including 25 tooth, are with hardened teeth as standard. For any additional size sprockets with hardened teeth, add "H" before the number of teeth, e.g. PHS 08B-1AH8.

Metric sprockets, simplex, pilot bore

ISO 08B-1 · 12,70 mm pitch | ISO 10B-1 · 15,88 mm pitch

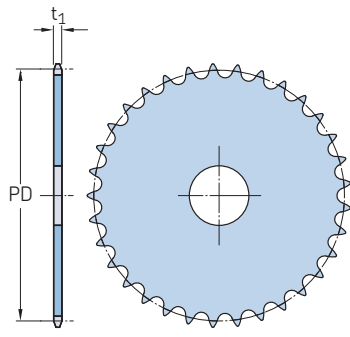
Pitch	Number of teeth	Pitch diameter	Type	Dimensions		Hub		Plate thickness t ₁	Mass	Designation
				Bore stock	Bore	H	L			
				Min.	Max.					
mm	-	mm	-	mm				kg	-	
12,70	44	178,03	A	20	-	-	-	-	1,28	PHS 08B-1A44
			B	-	16	50	90	40	7,37	2,32
	45	182,07	A	20	-	-	-	-	1,00	PHS 08B-1A45
			B	-	16	50	90	40	7,37	2,30
	46	186,10	A	20	-	-	-	-	1,43	PHS 08B-1A46
			B	-	16	50	90	40	7,37	2,45
	47	190,14	A	20	-	-	-	-	1,50	PHS 08B-1A47
			B	-	16	50	90	40	7,37	2,60
	48	194,18	A	20	-	-	-	-	1,57	PHS 08B-1A48
			B	-	16	64	90	40	7,37	2,85
	50	208,30	A	20	-	-	-	-	1,81	PHS 08B-1A50
			B	-	16	64	90	40	7,37	2,92
	54	218,43	A	20	-	-	-	-	2,00	PHS 08B-1A54
			B	-	16	64	90	40	7,37	3,00
	57	230,54	A	20	-	-	-	-	2,22	PHS 08B-1A57
			B	-	16	50	90	40	7,37	3,13
	60	242,66	A	20	-	-	-	-	2,50	PHS 08B-1A60
			B	-	16	64	90	40	7,37	3,30
	64	258,82	A	25	-	-	-	-	2,87	PHS 08B-1A64
B			-	16	64	90	40	7,37	3,60	PHS 08B-1B64
70	283,07	A	25	-	-	-	-	3,43	PHS 08B-1A70	
		B	-	16	64	90	40	7,37	3,80	PHS 08B-1B70
72	291,16	A	25	-	-	-	-	3,62	PHS 08B-1A72	
		B	-	16	64	90	40	7,37	4,00	PHS 08B-1B72
76	307,33	A	25	-	-	-	-	3,99	PHS 08B-1A76	
		B	-	16	50	90	40	7,37	4,12	PHS 08B-1B76
80	323,48	A	25	-	-	-	-	4,46	PHS 08B-1A80	
		B	-	16	64	90	40	7,37	5,00	PHS 08B-1B80
84	339,65	A	25	-	-	-	-	4,93	PHS 08B-1A84	
		B	-	16	64	90	40	7,37	6,12	PHS 08B-1B84
85	343,69	A	25	-	-	-	-	5,05	PHS 08B-1A85	
		B	-	16	64	90	40	7,37	6,32	PHS 08B-1B85
92	371,99	A	25	-	-	-	-	5,88	PHS 08B-1A92	
		B	-	16	64	90	40	7,37	6,92	PHS 08B-1B92
95	384,11	A	25	-	-	-	-	6,23	PHS 08B-1A95	
		B	-	16	55	90	40	7,37	7,38	PHS 08B-1B95
96	388,15	A	25	-	-	-	-	6,35	PHS 08B-1A96	
		B	-	16	64	90	40	7,37	8,00	PHS 08B-1B96
114	460,90	A	25	-	-	-	-	8,47	PHS 08B-1A114	
		B	-	16	64	90	40	7,37	9,50	PHS 08B-1B114
15,88	8	41,48	A	10	-	-	-	-	0,07	PHS 10B-1A8
			B	-	10	11	25	25	9,17	0,12
	9	46,42	A	10	-	-	-	-	0,10	PHS 10B-1A9
			B	-	10	15	30	25	9,17	0,17
	10	51,37	A	10	-	-	-	-	0,12	PHS 10B-1A10
			B	-	10	18	35	25	9,17	0,23
	11	56,34	A	10	-	-	-	-	0,15	PHS 10B-1A11
			B	-	12	21	37	30	9,17	0,30
	12	61,34	A	10	-	-	-	-	0,18	PHS 10B-1A12
			B	-	12	25	42	30	9,17	0,38
	13	66,32	A	10	-	-	-	-	0,21	PHS 10B-1A13
			B	-	12	28	47	30	9,17	0,47
	14	71,34	A	10	-	-	-	-	0,24	PHS 10B-1A14
			B	-	12	32	52	30	9,17	0,57
	15	76,36	A	10	-	-	-	-	0,28	PHS 10B-1A15
			B	-	12	35	57	30	9,17	0,69
	16	81,37	A	12	-	-	-	-	0,31	PHS 10B-1A16
B			-	12	40	60	30	9,17	0,77	PHS 10B-1B16
17	86,39	A	12	-	-	-	-	0,36	PHS 10B-1A17	
		B	-	12	40	60	30	9,17	0,82	PHS 10B-1B17

Pitch	Number of teeth	Pitch diameter	Type	Dimensions		Hub		Plate thickness t ₁	Mass	Designation
				Bore stock	Bore	H	L			
				Min.	Max.					
mm	-	mm	-	mm				kg	-	
15,88	18	91,42	A	12	-	-	-	-	0,41	PHS 10B-1A18
			B	-	14	50	70	30	9,17	1,02
	19	96,45	A	12	-	-	-	-	0,46	PHS 10B-1A19
			B	-	14	50	70	30	9,17	1,06
	20	101,49	A	12	-	-	-	-	0,52	PHS 10B-1A20
			B	-	14	50	75	30	9,17	1,22
	21	106,52	A	12	-	-	-	-	0,57	PHS 10B-1A21
			B	-	16	50	75	30	9,17	1,26
	22	111,55	A	12	-	-	-	-	0,62	PHS 10B-1A22
			B	-	16	50	80	30	9,17	1,42
	23	116,58	A	12	-	-	-	-	0,67	PHS 10B-1A23
			B	-	16	50	80	30	9,17	1,47
	24	121,62	A	12	-	-	-	-	0,74	PHS 10B-1A24
			B	-	16	50	80	30	9,17	1,55
	25	126,66	A	12	-	-	-	-	0,81	PHS 10B-1A25
			B	-	16	50	80	30	9,17	1,62
	26	131,70	A	16	-	-	-	-	0,88	PHS 10B-1A26
			B	-	20	55	85	35	9,17	2,00
	27	136,75	A	16	-	-	-	-	0,96	PHS 10B-1A27
			B	-	20	55	85	35	9,17	2,05
	28	141,78	A	16	-	-	-	-	1,02	PHS 10B-1A28
			B	-	20	55	90	35	9,17	2,27
	29	146,83	A	16	-	-	-	-	1,09	PHS 10B-1A29
			B	-	20	55	90	35	9,17	2,35
	30	151,87	A	16	-	-	-	-	1,20	PHS 10B-1A30
			B	-	20	58	90	35	9,17	2,42
	31	156,92	A	16	-	-	-	-	1,28	PHS 10B-1A31
			B	-	20	58	95	35	9,17	2,66
	32	161,95	A	16	-	-	-	-	1,38	PHS 10B-1A32
			B	-	20	58	95	35	9,17	2,74
33	167,00	A	16	-	-	-	-	1,46	PHS 10B-1A33	
		B	-	20	58	95	35	9,17	2,80	PHS 10B-1B33
34	172,05	A	16	-	-	-	-	1,55	PHS 10B-1A34	
		B	-	20	58	95	35	9,17	2,90	PHS 10B-1B34
35	177,10	A	16	-	-	-	-	1,63	PHS 10B-1A35	
		B	-	20	58	95	35	9,17	3,03	PHS 10B-1B35
36	182,15	A	20	-	-	-	-	2,00	PHS 10B-1A36	
		B	-	20	63	100	35	9,17	3,27	PHS 10B-1B36
37	187,20	A	20	-	-	-	-	1,85	PHS 10B-1A37	
		B	-	20	63	100	35	9,17	3,39	PHS 10B-1B37
38	192,24	A	20	-	-	-	-	1,93	PHS 10B-1A38	
		B	-	20	63	100	35	9,17	3,49	PHS 10B-1B38
39	197,29	A	20	-	-	-	-	2,05	PHS 10B-1A39	
		B	-	20	63	100	35	9,17	3,58	PHS 10B-1B39
40	202,34	A	20	-	-	-	-	2,15	PHS 10B-1A40	
		B	-	20	63	100	35	9,17	3,69	PHS 10B-1B40
41	207,39	A	20	-	-	-	-	2,25	PHS 10B-1A41	
		B	-	20	57	100	40	9,17	3,78	PHS 10B-1B41
42	212,44	A	20	-	-	-	-	2,38	PHS 10B-1A42	
		B	-	20	57	100	40	9,17	3,87	PHS 10B-1B42
43	217,49	A	20	-	-	-	-	2,49	PHS 10B-1A43	
		B	-	20	57	100	40	9,17	3,96	PHS 10B-1B43
44	222,53	A	20	-	-	-	-	2,61	PHS 10B-1A44	
		B	-	20	57	100	40	9,17	4,05	PHS 10B-1B44
45	227,58	A	20	-	-	-	-	2,74	PHS 10B-1A45	
		B	-	20	55	100	40	9,17	4,18	PHS 10B-1B45
46	232,63	A	20	-	-	-	-	2,87	PHS 10B-1A46	
		B	-	20	64	100	40	9,17	4,34	PHS 10B-1B46
47	237,68	A	20	-	-	-	-	2,99	PHS 10B-1A47	
		B	-	20	64	100	40	9,17	4,50	PHS 10B-1B47

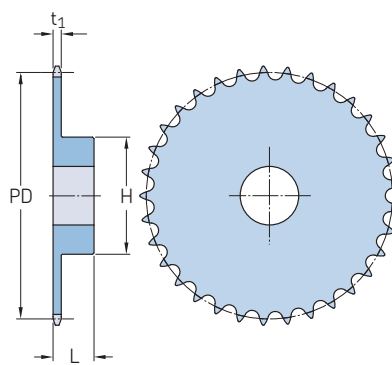
Maximum bores can accommodate standard keyways. Larger bores are available where a shallow keyway is used or no keyway is required. All Type B or C sprockets, up to and including 25 tooth, are with hardened teeth as standard. For any additional size sprockets with hardened teeth, add "H" before the number of teeth, e.g. PHS 08B-1AH8.

Metric sprockets, simplex, pilot bore

ISO 10B-1 · 15,88 mm pitch | ISO 12B-1 · 19,05 mm pitch



Type A



Type B

Pitch	Number of teeth	Pitch diameter	Type	Dimensions		Hub	Plate thickness	Mass	Designation
				Bore stock	Bore				
		PD		Min.	Max.	H	L	t ₁	
mm	-	mm	-	mm				kg	-
15,88	48	242,73	A	20	-	-	-	3,13	PHS 10B-1A48
			B	-	20	64	100 40	9,17	4,66
	49	247,78	A	20	-	-	-	3,28	PHS 10B-1A49
			B	-	20	64	100 40	9,17	4,82
	50	252,82	A	20	-	-	-	3,43	PHS 10B-1A50
			B	-	20	64	100 40	9,17	4,98
	51	257,87	A	20	-	-	-	3,57	PHS 10B-1A51
			B	-	20	64	100 40	9,17	5,14
	52	262,92	A	20	-	-	-	3,72	PHS 10B-1A52
			B	-	20	64	100 40	9,17	5,30
	53	267,97	A	20	-	-	-	3,87	PHS 10B-1A53
			B	-	20	64	100 40	9,17	5,46
	54	273,03	A	20	-	-	-	4,02	PHS 10B-1A54
			B	-	20	64	100 40	9,17	5,62
	55	278,08	A	20	-	-	-	4,16	PHS 10B-1A55
			B	-	20	64	100 40	9,17	5,78
	56	283,13	A	25	-	-	-	4,31	PHS 10B-1A56
			B	-	20	64	100 40	9,17	5,94
	57	288,18	A	25	-	-	-	4,46	PHS 10B-1A57
			B	-	20	55	100 40	9,17	6,00
58	293,23	A	25	-	-	-	4,64	PHS 10B-1A58	
		B	-	20	64	100 43	9,17	6,44	PHS 10B-1B58
59	298,27	A	25	-	-	-	4,83	PHS 10B-1A59	
		B	-	20	64	100 43	9,17	6,88	PHS 10B-1B59
60	303,32	A	25	-	-	-	5,01	PHS 10B-1A60	
		B	-	20	64	100 43	9,17	7,32	PHS 10B-1B60
65	328,58	A	25	-	-	-	5,92	PHS 10B-1A65	
		B	-	20	64	100 43	9,17	7,48	PHS 10B-1B65
70	353,84	A	25	-	-	-	6,83	PHS 10B-1A70	
		B	-	20	64	100 43	9,17	7,76	PHS 10B-1B70
72	363,95	A	25	-	-	-	7,20	PHS 10B-1A72	
		B	-	20	64	100 43	9,17	8,20	PHS 10B-1B72
76	384,16	A	25	-	-	-	7,93	PHS 10B-1A76	
		B	-	20	60	100 43	9,17	8,68	PHS 10B-1B76
80	404,35	A	25	-	-	-	8,89	PHS 10B-1A80	
		B	-	20	70	100 43	9,17	10,20	PHS 10B-1B80
84	424,57	A	30	-	-	-	9,85	PHS 10B-1A84	
		B	-	20	70	100 50	9,17	11,72	PHS 10B-1B84
85	429,62	A	30	-	-	-	10,09	PHS 10B-1A85	
		B	-	20	70	100 50	9,17	12,12	PHS 10B-1B85
92	464,98	A	30	-	-	-	11,76	PHS 10B-1A92	
		B	-	20	70	100 50	9,17	12,91	PHS 10B-1B92
95	480,14	A	30	-	-	-	12,48	PHS 10B-1A95	
		B	-	20	60	100 50	9,17	13,24	PHS 10B-1B95

Pitch	Number of teeth	Pitch diameter	Type	Dimensions		Hub	Plate thickness	Mass	Designation	
				Bore stock	Bore					
		PD		Min.	Max.	H	L	t ₁		
mm	-	mm	-	mm				kg	-	
15,88	96	485,19	A	30	-	-	-	12,72	PHS 10B-1A96	
			B	-	20	70	100 50	9,17	14,00	PHS 10B-1B96
	112	566,03	A	30	-	-	-	16,55	PHS 10B-1A112	
			B	-	20	70	100 50	9,17	15,55	PHS 10B-1B112
	114	576,13	A	30	-	-	-	17,03	PHS 10B-1A114	
			B	-	20	70	100 50	9,17	16,25	PHS 10B-1B114
	120	606,45	A	30	-	-	-	18,50	PHS 10B-1A120	
			B	-	20	70	100 50	9,17	18,25	PHS 10B-1B120
	19,05	8	49,78	A	12	-	-	-	0,13	PHS 12B-1A8
				B	-	12	16	31 30	11,10	0,22
	9	55,70	A	12	-	-	-	0,16	PHS 12B-1A9	
			B	-	12	20	37 30	11,10	0,31	PHS 12B-1B9
	10	61,64	A	12	-	-	-	0,21	PHS 12B-1A10	
			B	-	12	23	42 30	11,10	0,39	PHS 12B-1B10
	11	67,61	A	14	-	-	-	0,25	PHS 12B-1A11	
			B	-	14	28	46 35	11,10	0,54	PHS 12B-1B11
	12	73,61	A	14	-	-	-	0,30	PHS 12B-1A12	
			B	-	14	32	52 35	11,10	0,68	PHS 12B-1B12
	13	79,59	A	14	-	-	-	0,37	PHS 12B-1A13	
			B	-	14	36	58 35	11,10	0,84	PHS 12B-1B13
14	85,61	A	14	-	-	-	0,43	PHS 12B-1A14		
		B	-	14	40	64 35	11,10	1,01	PHS 12B-1B14	
15	91,63	A	14	-	-	-	0,50	PHS 12B-1A15		
		B	-	14	44	70 35	11,10	1,19	PHS 12B-1B15	
16	97,65	A	14	-	-	-	0,56	PHS 12B-1A16		
		B	-	16	48	75 35	11,10	1,36	PHS 12B-1B16	
17	103,67	A	14	-	-	-	0,65	PHS 12B-1A17		
		B	-	16	55	80 35	11,10	1,56	PHS 12B-1B17	
18	109,71	A	14	-	-	-	0,73	PHS 12B-1A18		
		B	-	16	55	80 35	11,10	1,73	PHS 12B-1B18	
19	115,75	A	14	-	-	-	0,82	PHS 12B-1A19		
		B	-	16	55	80 35	11,10	1,73	PHS 12B-1B19	
20	121,78	A	14	-	-	-	0,90	PHS 12B-1A20		
		B	-	16	55	80 35	11,10	1,83	PHS 12B-1B20	
21	127,82	A	16	-	-	-	0,99	PHS 12B-1A21		
		B	-	20	55	90 40	11,10	2,37	PHS 12B-1B21	
22	133,86	A	16	-	-	-	1,08	PHS 12B-1A22		
		B	-	20	55	90 40	11,10	2,48	PHS 12B-1B22	
23	139,90	A	16	-	-	-	1,21	PHS 12B-1A23		
		B	-	20	55	90 40	11,10	2,58	PHS 12B-1B23	
24	145,94	A	16	-	-	-	1,33	PHS 12B-1A24		
		B	-	20	55	90 40	11,10	2,70	PHS 12B-1B24	
25	152,00	A	16	-	-	-	1,43	PHS 12B-1A25		
		B	-	20	55	90 40	11,10	2,81	PHS 12B-1B25	

Maximum bores can accommodate standard keyways. Larger bores are available where a shallow keyway is used or no keyway is required. All Type B or C sprockets, up to and including 25 tooth, are with hardened teeth as standard. For any additional size sprockets with hardened teeth, add "H" before the number of teeth, e.g. PHS 08B-1AH8.

Metric sprockets, simplex, pilot bore

ISO 12B-1 · 19,05 mm pitch | ISO 16B-1 · 25,40 mm pitch

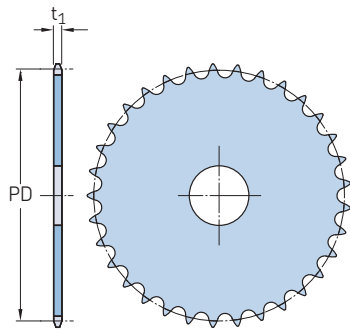
Pitch	Number of teeth	Pitch diameter	Type	Dimensions			Hub	Plate thickness	Mass	Designation
				Bore stock	Bore	Hub				
mm	-	mm	-	mm	-	mm	-	kg	-	
19,05	26	158,04	A	16	-	-	-	-	1,57	PHS 12B-1A26
			B	-	20	58	95	40	11,10	3,11
	27	164,09	A	16	-	-	-	-	1,69	PHS 12B-1A27
			B	-	20	58	95	40	11,10	3,24
	28	170,13	A	16	-	-	-	-	1,83	PHS 12B-1A28
			B	-	20	58	95	40	11,10	3,37
	29	176,19	A	16	-	-	-	-	1,97	PHS 12B-1A29
			B	-	20	60	95	40	11,10	3,49
	30	182,25	A	16	-	-	-	-	2,11	PHS 12B-1A30
			B	-	20	60	95	40	11,10	3,66
	31	188,31	A	20	-	-	-	-	2,26	PHS 12B-1A31
			B	-	20	64	95	40	11,10	3,96
	32	194,36	A	20	-	-	-	-	2,37	PHS 12B-1A32
			B	-	20	64	95	40	11,10	4,14
	33	200,40	A	20	-	-	-	-	2,58	PHS 12B-1A33
			B	-	20	64	95	40	11,10	4,28
	34	206,46	A	20	-	-	-	-	2,72	PHS 12B-1A34
			B	-	20	64	95	40	11,10	4,45
	35	212,52	A	20	-	-	-	-	2,90	PHS 12B-1A35
			B	-	20	64	95	40	11,10	4,62
	36	218,58	A	20	-	-	-	-	3,04	PHS 12B-1A36
			B	-	20	70	100	40	11,10	4,79
	37	224,64	A	20	-	-	-	-	3,27	PHS 12B-1A37
			B	-	20	70	100	40	11,10	4,97
	38	230,69	A	20	-	-	-	-	3,42	PHS 12B-1A38
			B	-	20	70	100	40	11,10	5,15
	39	236,75	A	20	-	-	-	-	3,61	PHS 12B-1A39
			B	-	20	70	100	40	11,10	5,34
	40	242,81	A	20	-	-	-	-	3,80	PHS 12B-1A40
			B	-	20	70	100	40	11,10	5,54
	41	248,87	A	25	-	-	-	-	3,97	PHS 12B-1A41
			B	-	20	70	110	56	11,10	5,78
	42	254,93	A	25	-	-	-	-	4,18	PHS 12B-1A42
			B	-	20	70	110	56	11,10	6,02
	43	260,98	A	25	-	-	-	-	4,43	PHS 12B-1A43
			B	-	20	70	110	56	11,10	6,26
	44	267,04	A	25	-	-	-	-	4,60	PHS 12B-1A44
			B	-	20	70	110	56	11,10	6,50
	45	273,10	A	25	-	-	-	-	4,77	PHS 12B-1A45
			B	-	20	60	110	56	11,10	6,30
	46	279,16	A	25	-	-	-	-	5,07	PHS 12B-1A46
			B	-	20	70	110	56	11,10	6,98
	47	285,21	A	25	-	-	-	-	5,30	PHS 12B-1A47
			B	-	20	70	110	56	11,10	7,22
	48	291,27	A	25	-	-	-	-	5,55	PHS 12B-1A48
			B	-	20	70	110	56	11,10	7,46
	49	297,33	A	25	-	-	-	-	5,81	PHS 12B-1A49
			B	-	20	70	110	56	11,10	7,70
50	303,39	A	25	-	-	-	-	6,06	PHS 12B-1A50	
		B	-	20	70	110	56	11,10	7,94	PHS 12B-1B50
54	327,64	A	25	-	-	-	-	7,08	PHS 12B-1A54	
		B	-	20	70	110	56	11,10	8,90	PHS 12B-1B54
57	345,81	A	25	-	-	-	-	7,84	PHS 12B-1A57	
		B	-	20	60	110	56	11,10	7,75	PHS 12B-1B57
60	363,99	A	25	-	-	-	-	8,82	PHS 12B-1A60	
		B	-	20	70	110	56	11,10	10,34	PHS 12B-1B60
65	394,29	A	25	-	-	-	-	10,46	PHS 12B-1A65	
		B	-	20	70	110	56	11,10	11,64	PHS 12B-1B65
68	412,49	A	30	-	-	-	-	11,44	PHS 12B-1A68	
		B	-	20	70	110	56	11,10	12,20	PHS 12B-1B68

Pitch	Number of teeth	Pitch diameter	Type	Dimensions			Hub	Plate thickness	Mass	Designation	
				Bore stock	Bore	Hub					
											Min.
mm	-	mm	-	mm	-	mm	-	kg	-		
19,05	70	424,60	A	30	-	-	-	-	12,10	PHS 12B-1A70	
			B	-	20	70	110	56	11,10	12,74	PHS 12B-1B70
	72	436,74	A	30	-	-	-	-	12,75	PHS 12B-1A72	
			B	-	20	80	110	56	11,10	13,22	PHS 12B-1B72
	76	460,99	A	30	-	-	-	-	14,06	PHS 12B-1A76	
			B	-	20	60	110	56	11,10	12,50	PHS 12B-1B76
	80	485,22	A	30	-	-	-	-	15,73	PHS 12B-1A80	
			B	-	20	80	110	56	11,10	15,14	PHS 12B-1B80
	84	509,48	A	30	-	-	-	-	17,40	PHS 12B-1A84	
			B	-	20	80	110	56	11,10	16,10	PHS 12B-1B84
	90	545,85	A	30	-	-	-	-	19,91	PHS 12B-1A90	
			B	-	20	80	110	56	11,10	17,23	PHS 12B-1B90
	92	557,98	A	30	-	-	-	-	20,75	PHS 12B-1A92	
			B	-	20	80	110	56	11,10	18,19	PHS 12B-1B92
	95	576,17	A	30	-	-	-	-	22,00	PHS 12B-1A95	
			B	-	20	92	110	56	11,10	18,74	PHS 12B-1B95
	96	582,23	A	30	-	-	-	-	22,42	PHS 12B-1A96	
			B	-	20	92	110	56	11,10	18,98	PHS 12B-1B96
	114	691,36	A	30	-	-	-	-	29,94	PHS 12B-1A114	
			B	-	20	92	110	56	11,10	23,30	PHS 12B-1B114
	25,40	8	66,37	A	12	-	-	-	-	0,34	PHS 16B-1A8
				B	-	16	22	42	35	16,18	0,50
	9	74,27	A	12	-	-	-	-	0,44	PHS 16B-1A9	
			B	-	16	28	50	35	16,18	0,68	PHS 16B-1B9
	10	82,19	A	12	-	-	-	-	0,96	PHS 16B-1A10	
			B	-	16	34	55	35	16,18	0,87	PHS 16B-1B10
	11	90,14	A	16	-	-	-	-	0,68	PHS 16B-1A11	
B			-	16	38	61	40	16,18	1,18	PHS 16B-1B11	
12	98,14	A	16	-	-	-	-	0,81	PHS 16B-1A12		
		B	-	16	44	69	40	16,18	1,48	PHS 16B-1B12	
13	106,12	A	16	-	-	-	-	1,00	PHS 16B-1A13		
		B	-	16	48	78	40	16,18	1,82	PHS 16B-1B13	
14	114,15	A	16	-	-	-	-	1,13	PHS 16B-1A14		
		B	-	16	53	84	40	16,18	2,14	PHS 16B-1B14	
15	122,17	A	16	-	-	-	-	1,30	PHS 16B-1A15		
		B	-	16	58	92	40	16,18	2,52	PHS 16B-1B15	
16	130,20	A	20	-	-	-	-	1,49	PHS 16B-1A16		
		B	-	20	64	100	45	16,18	3,19	PHS 16B-1B16	
17	138,22	A	20	-	-	-	-	1,68	PHS 16B-1A17		
		B	-	20	70	100	45	16,18	3,41	PHS 16B-1B17	
18	146,28	A	20	-	-	-	-	1,91	PHS 16B-1A18		
		B	-	20	70	100	45	16,18	3,62	PHS 16B-1B18	
19	154,33	A	20	-	-	-	-	2,12	PHS 16B-1A19		
		B	-	20	70	100	45	16,18	3,86	PHS 16B-1B19	
20	162,38	A	20	-	-	-	-	2,39	PHS 16B-1A20		
		B	-	20	70	100	45	16,18	4,10	PHS 16B-1B20	
21	170,43	A	20	-	-	-	-	2,64	PHS 16B-1A21		
		B	-	20	70	110	50	16,18	5,09	PHS 16B-1B21	
22	178,48	A	20	-	-	-	-	2,91	PHS 16B-1A22		
		B	-	20	70	110	50	16,18	5,35	PHS 16B-1B22	
23	186,53	A	20	-	-	-	-	3,16	PHS 16B-1A23		
		B	-	20	70	110	50	16,18	5,66	PHS 16B-1B23	
24	194,59	A	20	-	-	-	-	3,43	PHS 16B-1A24		
		B	-	20	70	110	50	16,18	5,94	PHS 16B-1B24	
25	202,66	A	20	-	-	-	-	3,72	PHS 16B-1A25		
		B	-	20	70	110	50	16,18	6,25	PHS 16B-1B25	
26	210,72	A	20	-	-	-	-	4,08	PHS 16B-1A26		
		B	-	20	76	120	50	16,18	7,07	PHS 16B-1B26	
27	218,79	A	20	-	-	-	-	4,40	PHS 16B-1A27		
		B	-	20	76	120	50	16,18	7,39	PHS 16B-1B27	

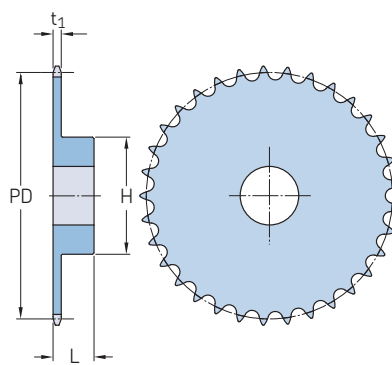
Maximum bores can accommodate standard keyways. Larger bores are available where a shallow keyway is used or no keyway is required. All Type B or C sprockets, up to and including 25 tooth, are with hardened teeth as standard. For any additional size sprockets with hardened teeth, add "H" before the number of teeth, e.g. PHS 08B-1AH8.

Metric sprockets, simplex, pilot bore

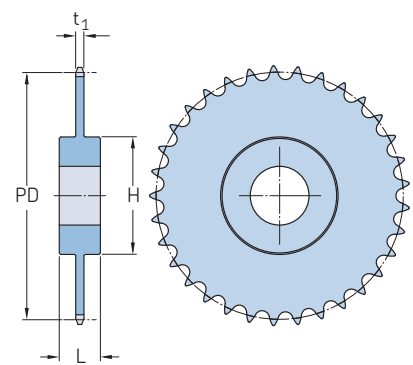
ISO 16B-1 · 25,40 mm pitch | ISO 20B-1 · 31,75 mm pitch



Type A



Type B



Type C

Pitch	Number of teeth	Pitch diameter	Type	Dimensions		Hub	Plate thickness	Mass	Designation
				Bore stock	Bore				
mm	-	mm	-	mm	mm	H L	t ₁	kg	-
25,40	28	226,85	A	20	-	-	-	4,79	PHS 16B-1A28
			B	-	20	76	120 50	16,18	7,72
	29	234,92	A	20	-	-	-	5,14	PHS 16B-1A29
			B	-	20	76	120 50	16,18	8,11
	30	243,00	A	20	-	-	-	5,53	PHS 16B-1A30
			B	-	20	76	120 50	16,18	8,47
	31	251,08	A	25	-	-	-	5,89	PHS 16B-1A31
			B	-	25	76	120 50	16,18	8,78
	32	259,13	A	25	-	-	-	6,33	PHS 16B-1A32
			B	-	25	76	120 50	16,18	9,19
	33	267,21	A	25	-	-	-	6,70	PHS 16B-1A33
			B	-	25	76	120 50	16,18	9,63
	34	275,28	A	25	-	-	-	7,00	PHS 16B-1A34
			B	-	25	76	120 50	16,18	10,02
	35	283,36	A	25	-	-	-	7,60	PHS 16B-1A35
			B	-	25	76	120 50	16,18	10,50
	36	291,44	A	25	-	-	-	8,08	PHS 16B-1A36
			B	-	25	76	120 50	16,18	10,90
	37	299,51	A	25	-	-	-	8,50	PHS 16B-1A37
			B	-	25	76	120 50	16,18	11,30
38	307,59	A	25	-	-	-	8,98	PHS 16B-1A38	
		B	-	25	76	120 50	16,18	11,86	PHS 16B-1B38
39	315,67	A	25	-	-	-	9,34	PHS 16B-1A39	
		B	-	25	76	120 50	16,18	12,32	PHS 16B-1B39
40	323,75	A	25	-	-	-	9,94	PHS 16B-1A40	
		B	-	25	76	125 50	16,18	12,86	PHS 16B-1B40
41	331,82	A	25	-	-	-	10,50	PHS 16B-1A41	
		B	-	25	80	125 68	16,18	13,40	PHS 16B-1B41
42	339,90	A	25	-	-	-	11,02	PHS 16B-1A42	
		B	-	25	80	125 68	16,18	13,94	PHS 16B-1B42
43	347,98	A	25	-	-	-	11,64	PHS 16B-1A43	
		B	-	25	80	125 68	16,18	14,48	PHS 16B-1B43
44	356,06	A	25	-	-	-	12,08	PHS 16B-1A44	
		B	-	25	80	125 68	16,18	15,02	PHS 16B-1B44
45	364,13	A	25	-	-	-	12,60	PHS 16B-1A45	
		B	-	25	65	125 68	16,18	13,00	PHS 16B-1B45
46	372,21	A	25	-	-	-	13,20	PHS 16B-1A46	
		B	-	25	80	125 68	16,18	16,10	PHS 16B-1B46
47	380,29	A	25	-	-	-	13,94	PHS 16B-1A47	
		B	-	25	80	125 68	16,18	16,64	PHS 16B-1B47
48	388,36	A	25	-	-	-	14,54	PHS 16B-1A48	
		B	-	25	80	125 68	16,18	17,18	PHS 16B-1B48
50	404,52	A	25	-	-	-	15,86	PHS 16B-1A50	
		B	-	25	80	125 68	16,18	18,26	PHS 16B-1B50

Pitch	Number of teeth	Pitch diameter	Type	Dimensions		Hub	Plate thickness	Mass	Designation
				Bore stock	Bore				
mm	-	mm	-	mm	mm	H L	t ₁	kg	-
25,40	54	436,85	A	30	-	-	-	18,51	PHS 16B-1A54
			B	-	25	85	125 68	16,18	20,42
	57	461,07	A	30	-	-	-	20,50	PHS 16B-1A57
			B	-	25	65	125 68	16,18	15,50
	60	485,32	A	30	-	-	-	22,95	PHS 16B-1A60
			B	-	25	85	133 68	16,18	23,66
	65	525,73	A	30	-	-	-	27,03	PHS 16B-1A65
			B	-	25	85	140 68	16,18	26,36
	70	566,14	A	30	-	-	-	31,11	PHS 16B-1A70
			C	-	25	108	140 68	16,18	29,06
	72	582,32	A	30	-	-	-	32,74	PHS 16B-1A72
			C	-	25	108	140 68	16,18	30,14
	76	614,65	A	30	-	-	-	36,00	PHS 16B-1A76
			C	-	25	75	140 68	16,18	28,50
	80	646,96	A	30	-	-	-	40,42	PHS 16B-1A80
			C	-	25	108	140 68	16,18	34,46
	84	679,30	A	30	-	-	-	44,84	PHS 16B-1A84
			C	-	25	108	140 78	16,18	36,62
	90	727,81	A	30	-	-	-	51,47	PHS 16B-1A90
			C	-	25	108	140 78	16,18	39,86
95	768,22	A	30	-	-	-	57,00	PHS 16B-1A95	
		C	-	25	85	140 78	16,18	42,56	PHS 16B-1C95
96	766,31	A	30	-	-	-	58,11	PHS 16B-1A96	
		C	-	25	108	140 78	16,18	43,10	PHS 16B-1C96
114	921,81	A	30	-	-	-	78,00	PHS 16B-1A114	
		C	-	25	108	140 78	16,18	52,82	PHS 16B-1C114
31,75	8	82,97	A	16	-	-	-	0,63	PHS 20B-1A8
			B	-	20	57	53 40	18,59	1,04
9	92,83	A	16	-	-	-	0,95	PHS 20B-1A9	
		B	-	20	57	63 40	18,59	1,45	PHS 20B-1B9
10	102,75	A	16	-	-	-	1,27	PHS 20B-1A10	
		B	-	20	60	70 40	18,59	1,86	PHS 20B-1B10
11	112,70	A	16	-	-	-	1,59	PHS 20B-1A11	
		B	-	20	70	77 45	18,59	2,40	PHS 20B-1B11
12	122,67	A	20	-	-	-	1,91	PHS 20B-1A12	
		B	-	20	76	88 45	18,59	2,95	PHS 20B-1B12
13	132,67	A	20	-	-	-	2,18	PHS 20B-1A13	
		B	-	20	76	98 45	18,59	3,00	PHS 20B-1B13
14	142,68	A	20	-	-	-	2,49	PHS 20B-1A14	
		B	-	20	76	108 45	18,59	3,40	PHS 20B-1B14
15	152,71	A	20	-	-	-	2,68	PHS 20B-1A15	
		B	-	20	76	118 50	18,59	4,31	PHS 20B-1B15
16	162,75	A	20	-	-	-	3,08	PHS 20B-1A16	
		B	-	20	76	120 50	18,59	4,63	PHS 20B-1B16

Maximum bores can accommodate standard keyways. Larger bores are available where a shallow keyway is used or no keyway is required. All Type B or C sprockets, up to and including 25 tooth, are with hardened teeth as standard. For any additional size sprockets with hardened teeth, add "H" before the number of teeth, e.g. PHS 08B-1AH8.

Metric sprockets, simplex, pilot bore

ISO 20B-1 · 31,75 mm pitch | ISO 24B-1 · 38,10 mm pitch

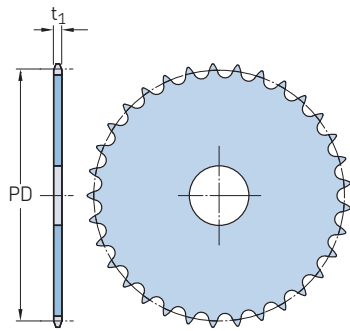
Pitch	Number of teeth	Pitch diameter	Type	Dimensions		Hub		Plate thickness t ₁	Mass	Designation
				Bore stock	Bore	H	L			
				Min.	Max.					
mm	-	mm	-	mm				kg	-	
31,75	17	172,79	A	20	-	-	-	-	3,54	PHS 20B-1A17
			B	-	25	76	120 50	18,59	4,99	PHS 20B-1BH17
	18	182,84	A	20	-	-	-	-	3,81	PHS 20B-1A18
			B	-	25	76	120 50	18,59	5,44	PHS 20B-1BH18
	19	192,90	A	20	-	-	-	-	4,31	PHS 20B-1A19
			B	-	25	76	120 50	18,59	5,90	PHS 20B-1BH19
	20	202,96	A	20	-	-	-	-	4,58	PHS 20B-1A20
			B	-	25	76	120 50	18,59	6,35	PHS 20B-1BH20
	21	213,03	A	25	-	-	-	-	5,17	PHS 20B-1A21
			B	-	25	76	140 55	18,59	7,03	PHS 20B-1BH21
	22	223,10	A	25	-	-	-	-	5,72	PHS 20B-1A22
			B	-	25	76	140 55	18,59	7,71	PHS 20B-1BH22
	23	233,17	A	25	-	-	-	-	5,99	PHS 20B-1A23
			B	-	25	84	140 55	18,59	8,16	PHS 20B-1BH23
	24	243,25	A	25	-	-	-	-	6,62	PHS 20B-1A24
			B	-	25	84	140 55	18,59	8,62	PHS 20B-1BH24
	25	253,32	A	25	-	-	-	-	6,94	PHS 20B-1A25
			B	-	25	84	140 55	18,59	9,07	PHS 20B-1BH25
	26	263,41	A	25	-	-	-	-	7,62	PHS 20B-1A26
			B	-	25	84	150 55	18,59	9,53	PHS 20B-1B26
	27	273,49	A	25	-	-	-	-	8,35	PHS 20B-1A27
			B	-	25	84	150 55	18,59	10,43	PHS 20B-1B27
	28	283,57	A	25	-	-	-	-	8,85	PHS 20B-1A28
			B	-	25	84	150 55	18,59	11,34	PHS 20B-1B28
	29	293,66	A	25	-	-	-	-	9,43	PHS 20B-1A29
			B	-	25	84	150 55	18,59	11,76	PHS 20B-1B29
30	303,75	A	25	-	-	-	-	9,98	PHS 20B-1A30	
		B	-	25	84	150 55	18,59	12,02	PHS 20B-1B30	
31	313,83	A	25	-	-	-	-	10,73	PHS 20B-1A31	
		B	-	25	84	150 55	18,59	12,77	PHS 20B-1B31	
32	323,92	A	25	-	-	-	-	11,49	PHS 20B-1A32	
		B	-	25	84	150 55	18,59	13,52	PHS 20B-1B32	
33	334,01	A	25	-	-	-	-	12,24	PHS 20B-1A33	
		B	-	25	84	150 55	18,59	14,59	PHS 20B-1B33	
34	344,10	A	25	-	-	-	-	13,00	PHS 20B-1A34	
		B	-	25	84	150 55	18,59	15,66	PHS 20B-1B34	
35	354,20	A	25	-	-	-	-	13,75	PHS 20B-1A35	
		B	-	25	84	150 55	18,59	16,74	PHS 20B-1B35	
36	364,29	A	25	-	-	-	-	14,50	PHS 20B-1A36	
		B	-	25	84	150 55	18,59	17,51	PHS 20B-1B36	
37	374,38	A	25	-	-	-	-	15,25	PHS 20B-1A37	
		B	-	25	84	150 55	18,59	18,17	PHS 20B-1B37	
38	384,48	A	25	-	-	-	-	16,01	PHS 20B-1A38	
		B	-	25	84	150 55	18,59	18,82	PHS 20B-1B38	
39	394,57	A	25	-	-	-	-	16,76	PHS 20B-1A39	
		B	-	25	84	150 55	18,59	19,78	PHS 20B-1B39	
40	404,67	A	25	-	-	-	-	17,52	PHS 20B-1A40	
		B	-	25	84	150 55	18,59	21,27	PHS 20B-1B40	
41	414,77	A	30	-	-	-	-	18,27	PHS 20B-1A41	
		B	-	25	84	150 70	18,59	22,07	PHS 20B-1B41	
42	424,88	A	30	-	-	-	-	19,03	PHS 20B-1A42	
		B	-	25	84	150 70	18,59	22,86	PHS 20B-1B42	
43	434,96	A	30	-	-	-	-	19,78	PHS 20B-1A43	
		B	-	25	84	150 70	18,59	23,40	PHS 20B-1B43	
44	445,06	A	30	-	-	-	-	20,53	PHS 20B-1A44	
		B	-	25	84	150 70	18,59	23,95	PHS 20B-1B44	
45	455,15	A	30	-	-	-	-	21,29	PHS 20B-1A45	
		B	-	25	84	150 70	18,59	24,49	PHS 20B-1B45	
46	465,25	A	30	-	-	-	-	22,04	PHS 20B-1A46	
		B	-	25	84	150 70	18,59	26,31	PHS 20B-1B46	

Pitch	Number of teeth	Pitch diameter	Type	Dimensions		Hub		Plate thickness t ₁	Mass	Designation
				Bore stock	Bore	H	L			
				Min.	Max.					
mm	-	mm	-	mm				kg	-	
31,75	47	475,35	A	30	-	-	-	-	22,79	PHS 20B-1A47
			B	-	25	84	150 70	18,59	28,12	PHS 20B-1B47
	48	485,45	A	30	-	-	-	-	23,55	PHS 20B-1A48
			B	-	25	102	150 70	18,59	29,94	PHS 20B-1B48
	49	495,55	A	30	-	-	-	-	24,30	PHS 20B-1A49
			B	-	25	102	150 70	18,59	31,76	PHS 20B-1B49
	50	505,65	A	30	-	-	-	-	25,06	PHS 20B-1A50
			B	-	25	102	150 70	18,59	33,57	PHS 20B-1B50
	51	515,75	A	30	-	-	-	-	24,43	PHS 20B-1A51
			B	-	25	102	150 80	18,59	35,39	PHS 20B-1B51
	52	525,85	A	30	-	-	-	-	25,85	PHS 20B-1A52
			B	-	25	102	150 80	18,59	37,21	PHS 20B-1B52
	53	535,95	A	30	-	-	-	-	27,27	PHS 20B-1A53
			B	-	25	102	150 80	18,59	39,02	PHS 20B-1B53
	54	546,05	A	30	-	-	-	-	25,70	PHS 20B-1A54
			C	-	25	102	150 80	18,59	32,90	PHS 20B-1C54
	55	556,15	A	30	-	-	-	-	30,12	PHS 20B-1A55
			C	-	25	102	150 80	18,59	34,77	PHS 20B-1C55
	56	566,25	A	30	-	-	-	-	31,34	PHS 20B-1A56
			C	-	25	102	150 80	18,59	36,63	PHS 20B-1C56
	57	576,35	A	30	-	-	-	-	32,96	PHS 20B-1A57
			C	-	25	102	150 80	18,59	38,50	PHS 20B-1C57
	58	586,45	A	30	-	-	-	-	35,80	PHS 20B-1A58
			C	-	25	102	150 80	18,59	40,37	PHS 20B-1C58
	59	596,56	A	30	-	-	-	-	37,22	PHS 20B-1A59
			C	-	25	102	150 80	18,59	42,24	PHS 20B-1C59
60	606,66	A	30	-	-	-	-	38,64	PHS 20B-1A60	
		C	-	25	102	150 80	18,59	44,10	PHS 20B-1C60	
70	707,68	A	30	-	-	-	-	52,85	PHS 20B-1A70	
		C	-	25	133	150 80	18,59	65,36	PHS 20B-1C70	
72	727,89	A	30	-	-	-	-	55,70	PHS 20B-1A72	
		C	-	25	133	150 80	18,59	67,23	PHS 20B-1C72	
76	768,30	A	30	-	-	-	-	61,38	PHS 20B-1A76	
		C	-	25	133	150 80	18,59	70,98	PHS 20B-1C76	
80	808,71	A	30	-	-	-	-	67,06	PHS 20B-1A80	
		C	-	25	133	150 80	18,59	74,70	PHS 20B-1C80	
84	849,13	A	30	-	-	-	-	72,75	PHS 20B-1A84	
		C	-	25	133	150 90	18,59	78,43	PHS 20B-1C84	
90	909,76	A	30	-	-	-	-	81,27	PHS 20B-1A90	
		C	-	25	133	150 90	18,59	84,03	PHS 20B-1C90	
95	960,28	A	30	-	-	-	-	102,42	PHS 20B-1A95	
		C	-	25	133	150 90	18,59	117,18	PHS 20B-1C95	
96	970,38	A	30	-	-	-	-	103,84	PHS 20B-1A96	
		C	-	25	133	150 90	18,59	117,56	PHS 20B-1C96	
114	1 152,27	A	30	-	-	-	-	130,84	PHS 20B-1A114	
		C	-	25	133	150 90	18,59	124,40	PHS 20B-1C114	
38,10	9	111,40	A	20	-	-	-	-	1,69	PHS 24B-1A9
			B	-	20	45	70 45	24,13	2,02	PHS 24B-1BH9
10	123,29	A	20	-	-	-	-	1,88	PHS 24B-1A10	
			B	-	20	52	80 45	24,13	2,61	PHS 24B-1BH10
11	135,23	A	20	-	-	-	-	2,06	PHS 24B-1A11	
			B	-	25	60	90 50	24,13	3,77	PHS 24B-1BH11
12	147,21	A	20	-	-	-	-	2,68	PHS 24B-1A12	
			B	-	25	67	102 50	24,13	4,77	PHS 24B-1BH12
13	159,20	A	20	-	-	-	-	3,06	PHS 24B-1A13	
			B	-	25	76	114 50	24,13	5,91	PHS 24B-1BH13
14	171,22	A	20	-	-	-	-	3,72	PHS 24B-1A14	
			B	-	25	86	128 50	24,13	6,68	PHS 24B-1BH14
15	183,25	A	20	-	-	-	-	4,31	PHS 24B-1A15	
			B	-	25	92	132 50	24,13	7,49	PHS 24B-1BH15

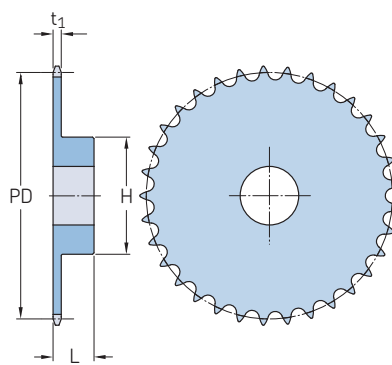
Maximum bores can accommodate standard keyways. Larger bores are available where a shallow keyway is used or no keyway is required. All Type B or C sprockets, up to and including 25 tooth, are with hardened teeth as standard. For any additional size sprockets with hardened teeth, add "H" before the number of teeth, e.g. PHS 08B-1AH8.

Metric sprockets, simplex, pilot bore

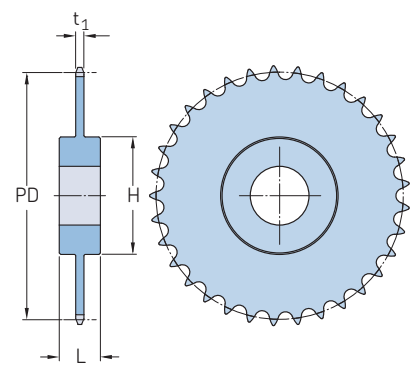
ISO 24B-1 · 38,10 mm pitch | ISO 28B-1 · 44,45 mm pitch



Type A



Type B



Type C

Pitch	Number of teeth	Pitch diameter	Type	Dimensions				Mass	Designation		
				Bore stock	Bore	Hub	Plate thickness				
		PD		Min.	Max.	H	L	t ₁			
mm	-	mm	-	mm		mm	mm	mm	kg		
38,10	16	195,29	A	25	-	-	-	-	4,86	PHS 24B-1A16 PHS 24B-1BH16	
			B	-	25	92	136	55	24,13		9,08
	17	207,35	A	25	-	-	-	-	5,44	PHS 24B-1A17 PHS 24B-1BH17	
			B	-	25	92	136	55	24,13		9,76
	18	219,41	219,41	A	25	-	-	-	-	6,13	PHS 24B-1A18 PHS 24B-1BH18
				B	-	25	92	136	55	24,13	
	19	231,48	231,48	A	25	-	-	-	-	7,03	PHS 24B-1A19 PHS 24B-1BH19
				B	-	25	92	136	55	24,13	
	20	243,55	243,55	A	25	-	-	-	-	7,94	PHS 24B-1A20 PHS 24B-1BH20
				B	-	25	92	136	55	24,13	
	21	255,63	255,63	A	25	-	-	-	-	8,62	PHS 24B-1A21 PHS 24B-1BH21
				B	-	25	92	150	60	24,13	
	22	267,72	267,72	A	25	-	-	-	-	9,76	PHS 24B-1A22 PHS 24B-1BH22
				B	-	25	92	150	60	24,13	
	23	179,80	179,80	A	25	-	-	-	-	10,43	PHS 24B-1A23 PHS 24B-1BH23
				B	-	25	92	150	60	24,13	
	24	291,90	291,90	A	25	-	-	-	-	11,35	PHS 24B-1A24 PHS 24B-1BH24
				B	-	25	92	150	60	24,13	
	25	303,99	303,99	A	25	-	-	-	-	12,47	PHS 24B-1A25 PHS 24B-1BH25
				B	-	25	92	150	60	24,13	
	26	316,09	316,09	A	30	-	-	-	-	13,39	PHS 24B-1A26 PHS 24B-1B26
				B	-	30	102	150	65	24,13	
	27	328,19	328,19	A	30	-	-	-	-	14,53	PHS 24B-1A27 PHS 24B-1B27
				B	-	30	102	150	65	24,13	
	28	340,29	340,29	A	30	-	-	-	-	15,89	PHS 24B-1A28 PHS 24B-1B28
				B	-	30	102	150	65	24,13	
	29	352,39	352,39	A	30	-	-	-	-	17,02	PHS 24B-1A29 PHS 24B-1B29
				B	-	30	102	150	65	24,13	
	30	364,49	364,49	A	30	-	-	-	-	18,39	PHS 24B-1A30 PHS 24B-1B30
				B	-	30	102	150	65	24,13	
	31	376,60	376,60	A	30	-	-	-	-	20,02	PHS 24B-1A31 PHS 24B-1B31
				B	-	30	102	150	65	24,13	
	32	388,71	388,71	A	30	-	-	-	-	21,66	PHS 24B-1A32 PHS 24B-1B32
				B	-	30	102	150	65	24,13	
	33	400,82	400,82	A	30	-	-	-	-	23,29	PHS 24B-1A33 PHS 24B-1B33
				B	-	30	102	150	65	24,13	
	34	412,93	412,93	A	30	-	-	-	-	24,93	PHS 24B-1A34 PHS 24B-1B34
				B	-	30	102	150	65	24,13	
35	425,04	425,04	A	30	-	-	-	-	26,56	PHS 24B-1A35 PHS 24B-1B35	
			B	-	30	102	150	65	24,13		33,93
36	437,15	437,15	A	30	-	-	-	-	28,19	PHS 24B-1A36 PHS 24B-1B36	
			B	-	30	102	150	65	24,13		35,86
38	461,37	461,37	A	30	-	-	-	-	31,46	PHS 24B-1A38 PHS 24B-1B38	
			B	-	30	102	150	65	24,13		39,73

Pitch	Number of teeth	Pitch diameter	Type	Dimensions				Mass	Designation			
				Bore stock	Bore	Hub	Plate thickness					
		PD		Min.	Max.	H	L	t ₁				
mm	-	mm	-	mm		mm	mm	mm	kg			
38,10	40	485,60	A	30	-	-	-	-	36,23	PHS 24B-1A40 PHS 24B-1B40		
			B	-	30	102	150	65	24,13		42,52	
	42	509,83	509,83	A	30	-	-	-	-	40,99	PHS 24B-1A42 PHS 24B-1C42	
				C	-	30	102	160	90	24,13		45,31
	45	546,19	546,19	A	30	-	-	-	-	48,14	PHS 24B-1A45 PHS 24B-1C45	
				C	-	30	102	160	90	24,13		50,71
	48	482,54	482,54	A	30	-	-	-	-	55,29	PHS 24B-1A48 PHS 24B-1C48	
				C	-	30	102	160	90	24,13		57,43
	50	606,78	606,78	A	30	-	-	-	-	60,05	PHS 24B-1A50 PHS 24B-1C50	
				C	-	30	102	160	90	24,13		61,57
	54	655,26	655,26	A	30	-	-	-	-	69,58	PHS 24B-1A54 PHS 24B-1C54	
				C	-	30	102	160	100	24,13		69,84
	57	691,62	691,62	A	30	-	-	-	-	76,73	PHS 24B-1A57 PHS 24B-1C57	
				C	-	30	133	160	100	24,13		76,05
	60	727,99	727,99	A	30	-	-	-	-	85,19	PHS 24B-1A60 PHS 24B-1C60	
				C	-	30	133	160	100	24,13		80,05
	68	824,97	824,97	A	40	-	-	-	-	107,74	PHS 24B-1A68 PHS 24B-1C68	
				C	-	30	133	160	100	24,13		93,39
	72	873,43	873,43	A	40	-	-	-	-	119,02	PHS 24B-1A72 PHS 24B-1C72	
				C	-	30	133	160	100	24,13		111,51
	76	921,96	921,96	A	40	-	-	-	-	130,30	PHS 24B-1A76 PHS 24B-1C76	
				C	-	30	133	160	100	24,13		129,62
	95	921,96	921,96	A	40	-	-	-	-	183,88	PHS 24B-1A95 PHS 24B-1C95	
				C	-	30	133	160	100	24,13		215,67
	96	921,96	921,96	A	40	-	-	-	-	186,70	PHS 24B-1A96 PHS 24B-1C96	
				C	-	30	133	160	100	24,13		220,20
	114	921,96	921,96	A	40	-	-	-	-	237,46	PHS 24B-1A114 PHS 24B-1C114	
				C	-	30	133	160	100	24,13		301,71
	44,45	11	157,77	A	20	-	-	-	-	3,18	PHS 28B-1A11 PHS 28B-1BH11	
				B	-	25	73	112	70	29,44		5,27
		12	171,74	171,74	A	20	-	-	-	-	3,95	PHS 28B-1A12 PHS 28B-1BH12
					B	-	25	84	125	70	29,44	
		13	185,74	185,74	A	20	-	-	-	-	4,31	PHS 28B-1A13 PHS 28B-1BH13
					B	-	25	93	125	70	29,44	
		14	199,76	199,76	A	20	-	-	-	-	4,77	PHS 28B-1A14 PHS 28B-1BH14
					B	-	25	93	125	70	29,44	
		15	213,79	213,79	A	20	-	-	-	-	5,45	PHS 28B-1A15 PHS 28B-1BH15
					B	-	25	108	125	70	29,44	
16		227,84	227,84	A	30	-	-	-	-	6,81	PHS 28B-1A16 PHS 28B-1BH16	
				B	-	30	108	160	75	29,44		12,76
17		241,91	241,91	A	30	-	-	-	-	7,71	PHS 28B-1A17 PHS 28B-1BH17	
				B	-	30	108	160	75	29,44		13,65
18		255,98	255,98	A	30	-	-	-	-	8,63	PHS 28B-1A18 PHS 28B-1BH18	
				B	-	30	108	160	75	29,44		13,65

Maximum bores can accommodate standard keyways. Larger bores are available where a shallow keyway is used or no keyway is required. All Type B or C sprockets, up to and including 25 tooth, are with hardened teeth as standard. For any additional size sprockets with hardened teeth, add "H" before the number of teeth, e.g. PHS 08B-1AH8.

Metric sprockets, simplex, pilot bore

ISO 28B-1 · 44,45 mm pitch | ISO 32B-1 · 50,80 mm pitch

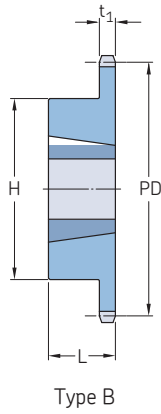
Pitch	Number of teeth	Pitch diameter	Type	Dimensions				Mass	Designation	
				Bore stock	Bore	Hub				Plate thickness t ₁
						Min.	Max.			
mm	-	mm	-	mm	mm	mm	mm	mm	kg	-
44,45	19	270,06	A	30	-	-	-	-	9,53	PHS 28B-1A19
			B	-	30	108	160	75	29,44	15,01 PHS 28B-1BH19
	20	284,14	A	30	-	-	-	-	10,44	PHS 28B-1A20
			B	-	30	108	160	75	29,44	16,84 PHS 28B-1BH20
	21	298,24	A	30	-	-	-	-	11,79	PHS 28B-1A21
			B	-	30	108	160	75	29,44	18,19 PHS 28B-1BH21
	22	312,34	A	30	-	-	-	-	13,17	PHS 28B-1A22
			B	-	30	108	160	75	29,44	19,11 PHS 28B-1BH22
	23	326,44	A	30	-	-	-	-	14,06	PHS 28B-1A23
			B	-	30	108	160	75	29,44	20,46 PHS 28B-1BH23
	24	340,54	A	30	-	-	-	-	15,44	PHS 28B-1A24
			B	-	30	108	160	75	29,44	21,84 PHS 28B-1BH24
	25	354,65	A	30	-	-	-	-	16,78	PHS 28B-1A25
			B	-	30	108	160	75	29,44	22,73 PHS 28B-1BH25
	26	368,77	A	30	-	-	-	-	18,61	PHS 28B-1A26
			B	-	30	108	160	75	29,44	26,83 PHS 28B-1BH26
	27	382,88	A	30	-	-	-	-	20,43	PHS 28B-1A27
			B	-	30	108	160	75	29,44	27,74 PHS 28B-1BH27
	28	397,00	A	30	-	-	-	-	20,88	PHS 28B-1A28
			B	-	30	108	160	75	29,44	30,29 PHS 28B-1BH28
30	425,24	A	30	-	-	-	-	25,17	PHS 28B-1A30	
		B	-	30	108	160	75	29,44	32,73 PHS 28B-1BH30	
32	453,49	A	30	-	-	-	-	31,02	PHS 28B-1A32	
		B	-	30	134	180	75	29,44	34,84 PHS 28B-1BH32	
38	538,27	A	30	-	-	-	-	48,58	PHS 28B-1A38	
		B	-	30	134	180	75	29,44	51,25 PHS 28B-1BH38	
40	566,54	A	30	-	-	-	-	52,80	PHS 28B-1A40	
		C	-	30	134	180	75	29,44	52,84 PHS 28B-1C40	
42	594,81	A	30	-	-	-	-	57,02	PHS 28B-1A42	
		C	-	30	134	180	90	29,44	54,43 PHS 28B-1C42	
45	637,22	A	30	-	-	-	-	63,35	PHS 28B-1A45	
		C	-	30	134	180	90	29,44	60,55 PHS 28B-1C45	
48	679,63	A	30	-	-	-	-	69,68	PHS 28B-1A48	
		C	-	30	134	180	90	29,44	62,72 PHS 28B-1C48	
54	764,47	A	30	-	-	-	-	82,34	PHS 28B-1A54	
		C	-	30	134	180	100	29,44	74,60 PHS 28B-1C54	
57	806,89	A	40	-	-	-	-	88,67	PHS 28B-1A57	
		C	-	30	134	180	100	29,44	81,77 PHS 28B-1C57	
60	849,32	A	40	-	-	-	-	97,97	PHS 28B-1A60	
		C	-	30	134	180	100	29,44	88,94 PHS 28B-1C60	
68	962,47	A	40	-	-	-	-	122,79	PHS 28B-1A68	
		C	-	30	137	180	100	29,44	108,05 PHS 28B-1C68	
72	1 019,04	A	40	-	-	-	-	135,19	PHS 28B-1A72	
		C	-	30	137	180	100	29,44	117,61 PHS 28B-1C72	
76	1 075,62	A	40	-	-	-	-	147,60	PHS 28B-1A76	
		C	-	30	137	180	100	29,44	127,17 PHS 28B-1C76	
95	1 344,39	A	40	-	-	-	-	206,53	PHS 28B-1A95	
		C	-	30	137	180	100	29,44	172,57 PHS 28B-1C95	

Pitch	Number of teeth	Pitch diameter	Type	Dimensions				Mass	Designation	
				Bore stock	Bore	Hub				Plate thickness t ₁
						Min.	Max.			
mm	-	mm	-	mm	mm	mm	mm	mm	kg	-
50,80	17	276,46	A	30	-	-	-	-	12,35	PHS 32B-1A17
			B	-	30	103	160	90	29,44	20,23 PHS 32B-1BH17
	18	292,55	A	30	-	-	-	-	13,96	PHS 32B-1A18
			B	-	30	103	160	90	29,44	21,88 PHS 32B-1BH18
	19	308,64	A	30	-	-	-	-	15,57	PHS 32B-1A19
			B	-	30	103	160	90	29,44	23,53 PHS 32B-1BH19
	20	324,74	A	30	-	-	-	-	17,36	PHS 32B-1A20
			B	-	30	133	180	90	29,44	25,37 PHS 32B-1BH20
	21	340,84	A	30	-	-	-	-	19,15	PHS 32B-1A21
			B	-	30	133	180	90	29,44	27,20 PHS 32B-1BH21
	22	356,96	A	30	-	-	-	-	21,13	PHS 32B-1A22
			B	-	30	133	180	90	29,44	29,23 PHS 32B-1BH22
	23	373,07	A	30	-	-	-	-	23,10	PHS 32B-1A23
			B	-	30	133	180	90	29,44	31,25 PHS 32B-1BH23
	24	389,19	A	30	-	-	-	-	25,26	PHS 32B-1A24
			B	-	30	133	180	90	29,44	35,33 PHS 32B-1BH24
	25	405,32	A	30	-	-	-	-	27,41	PHS 32B-1A25
			B	-	30	133	180	90	29,44	36,80 PHS 32B-1BH25
	26	421,45	A	30	-	-	-	-	30,25	PHS 32B-1A26
			B	-	30	133	180	90	29,44	39,41 PHS 32B-1BH26
27	437,58	A	30	-	-	-	-	33,10	PHS 32B-1A27	
		B	-	30	133	180	90	29,44	42,02 PHS 32B-1BH27	
28	453,72	A	30	-	-	-	-	35,94	PHS 32B-1A28	
		B	-	30	133	180	90	29,44	44,62 PHS 32B-1BH28	
30	485,99	A	30	-	-	-	-	41,63	PHS 32B-1A30	
		B	-	30	133	180	90	29,44	49,84 PHS 32B-1BH30	
32	518,28	A	30	-	-	-	-	47,31	PHS 32B-1A32	
		B	-	30	139	180	90	29,44	58,02 PHS 32B-1BH32	
38	615,17	A	30	-	-	-	-	64,37	PHS 32B-1A38	
		B	-	30	139	180	90	29,44	86,78 PHS 32B-1BH38	
40	647,47	A	40	-	-	-	-	72,98	PHS 32B-1A40	
		C	-	30	139	180	90	29,44	91,35 PHS 32B-1C40	
42	679,78	A	40	-	-	-	-	81,60	PHS 32B-1A42	
		C	-	30	139	180	90	29,44	95,91 PHS 32B-1C42	
45	728,25	A	40	-	-	-	-	94,52	PHS 32B-1A45	
		C	-	30	139	180	100	29,44	116,97 PHS 32B-1C45	
48	790,72	A	40	-	-	-	-	107,44	PHS 32B-1A48	
		C	-	30	139	180	100	29,44	130,43 PHS 32B-1C48	
54	873,68	A	40	-	-	-	-	133,29	PHS 32B-1A54	
		C	-	30	139	180	100	29,44	157,34 PHS 32B-1C54	
57	922,16	A	40	-	-	-	-	146,21	PHS 32B-1A57	
		C	-	30	139	180	100	29,44	190,79 PHS 32B-1C57	
60	990,65	A	40	-	-	-	-	164,35	PHS 32B-1A60	
		C	-	30	139	200	110	29,44	184,25 PHS 32B-1C60	
68	1 099,96	A	40	-	-	-	-	212,73	PHS 32B-1A68	
		C	-	30	139	200	110	29,44	220,13 PHS 32B-1C68	
72	1 164,62	A	40	-	-	-	-	236,91	PHS 32B-1A72	
		C	-	30	139	200	110	29,44	282,31 PHS 32B-1C72	
90	1 229,28	A	40	-	-	-	-	261,10	PHS 32B-1A90	
		C	-	30	139	200	110	29,44	297,99 PHS 32B-1C90	

Maximum bores can accommodate standard keyways. Larger bores are available where a shallow keyway is used or no keyway is required. All Type B or C sprockets, up to and including 25 tooth, are with hardened teeth as standard. For any additional size sprockets with hardened teeth, add "H" before the number of teeth, e.g. PHS 08B-1AH8.

Metric sprockets, simplex, taper bushed

ISO 06B-1 · 9,525 mm pitch | ISO 08B-1 · 12,70 mm pitch



Pitch	Number of teeth	Pitch diameter PD	Type	Bushing number	Dimensions				Plate thickness t ₁	Mass Rim	Bushing	Designation
					Bore		L	H				
mm	-	mm	-	-	mm	mm	mm	mm	kg	-	-	
9,525	16	48,82	B	1008	9	25,4	22,0	42,0 ⁴⁾	5,31	0,12	0,09	PHS 06B-1TBH16
	17	51,83	B	1008	9	25,4	22,0	45,0	5,31	0,13	0,09	PHS 06B-1TBH17
	18	54,85	B	1008	9	25,4	22,0	45,0	5,31	0,14	0,09	PHS 06B-1TBH18
	19	57,87	B	1008	9	25,4	22,0	45,0	5,31	0,16	0,09	PHS 06B-1TBH19
	20	60,89	B	1008	9	25,4	22,0	46,0	5,31	0,18	0,09	PHS 06B-1TBH20
	21	63,91	B	1008	9	25,4	22,0	46,0	5,31	0,20	0,09	PHS 06B-1TBH21
	22	66,93	B	1108	9	28,0	22,0	52,0	5,31	0,24	0,12	PHS 06B-1TBH22
	23	69,95	B	1210	11	31,8	25,0	63,0 ⁴⁾	5,31	0,30	0,21	PHS 06B-1TBH23
	24	72,97	B	1210	11	31,8	25,0	63,0	5,31	0,32	0,21	PHS 06B-1TBH24
	25	76,00	B	1210	11	31,8	25,0	63,0	5,31	0,35	0,21	PHS 06B-1TBH25
	26	79,02	B	1210	11	31,8	25,0	63,0	5,31	0,35	0,21	PHS 06B-1TB26
	27	82,05	B	1210	11	31,8	25,0	63,0	5,31	0,38	0,21	PHS 06B-1TB27
	28	85,07	B	1210	11	31,8	25,0	63,0	5,31	0,38	0,21	PHS 06B-1TB28
	29	88,09	B	1210	11	31,8	25,0	63,0	5,31	0,40	0,21	PHS 06B-1TB29
	30	91,12	B	1210	11	31,8	25,0	63,0	5,31	0,41	0,21	PHS 06B-1TB30
	32	97,18	B	1210	11	31,8	25,0	63,0	5,31	0,58	0,21	PHS 06B-1TB32
	35	106,26	B	1210	11	31,8	25,0	63,0	5,31	0,76	0,21	PHS 06B-1TB35
	36	109,29	B	1210	11	31,8	25,0	63,0	5,31	0,82	0,21	PHS 06B-1TB36
	38	115,35	B	1210	11	31,8	25,0	70,0	5,31	0,94	0,21	PHS 06B-1TB38
	40	121,40	B	1210	11	31,8	25,0	70,0	5,31	1,06	0,21	PHS 06B-1TB40
	45	136,55	B	1210	11	31,8	25,0	70,0	5,31	1,36	0,21	PHS 06B-1TB45
	48	145,65	B	1210	11	31,8	25,0	70,0	5,31	1,54	0,21	PHS 06B-1TB48
	54	163,82	B	1210	11	31,8	25,0	70,0	5,31	1,90	0,21	PHS 06B-1TB54
	57	172,90	B	1210	11	31,8	25,0	70,0	5,31	1,60	0,21	PHS 06B-1TB57
	60	182,00	B	1210	11	31,8	25,0	70,0	5,31	2,26	0,21	PHS 06B-1TB60
	70	212,30	B	1210	11	31,8	25,0	70,0	5,31	2,86	0,21	PHS 06B-1TB70
	76	230,49	B	1210	11	31,8	25,0	70,0	5,31	2,43	0,21	PHS 06B-1TB76
	95	288,08	B	1210	11	31,8	25,0	110,0	5,31	2,72	0,21	PHS 06B-1TB95
	114	345,68	B	1215	11	31,8	25,0	110,0	5,31	5,50	0,31	PHS 06B-1TB114
	12,70	14	57,07	B	1008	9	25,4	22,0	46,0 ⁴⁾	7,37	0,12	0,14
15		61,09	B	1008	9	25,4	22,0	45,0	7,37	0,18	0,14	PHS 08B-1TBH15
16		65,10	B	1108	9	28,0	22,0	52,0	7,37	0,24	0,16	PHS 08B-1TBH16
17		69,11	B	1210	11	31,8	25,0	60,0 ⁴⁾	7,37	0,24	0,27	PHS 08B-1TBH17
18		73,14	B	1210	11	31,8	25,0	60,0 ⁴⁾	7,37	0,30	0,27	PHS 08B-1TBH18
19		77,16	B	1210	11	31,8	25,0	63,0	7,37	0,33	0,27	PHS 08B-1TBH19
20		81,19	B	1610	11	31,8	25,0	71,0	7,37	0,32	0,41	PHS 08B-1TBH20
21		85,22	B	1610	14	41,3	25,0	71,0	7,37	0,37	0,41	PHS 08B-1TBH21
22		89,24	B	1610	14	41,3	25,0	76,0	7,37	0,50	0,41	PHS 08B-1TBH22
23		93,27	B	1610	14	41,3	25,0	76,0	7,37	0,53	0,41	PHS 08B-1TBH23
24		97,29	B	1610	14	41,3	25,0	76,0	7,37	0,54	0,41	PHS 08B-1TBH24
25		101,33	B	1610	14	41,3	25,0	76,0	7,37	0,59	0,41	PHS 08B-1TBH25
26		105,36	B	1610	14	41,3	25,0	76,0	7,37	0,61	0,41	PHS 08B-1TB26
27		109,40	B	1610	14	41,3	25,0	76,0	7,37	0,94	0,41	PHS 08B-1TB27
28		113,42	B	2012	14	50,8	25,0	90,0	7,37	0,86	0,77	PHS 08B-1TB28
29		117,46	B	2012	14	50,8	25,0	90,0	7,37	0,90	0,77	PHS 08B-1TB29
30		121,50	B	2012	14	50,8	32,0	90,0	7,37	0,94	0,59	PHS 08B-1TB30
32		129,57	B	2012	14	50,8	32,0	90,0	7,37	1,12	0,59	PHS 08B-1TB32
35		141,68	B	2012	14	50,8	32,0	90,0	7,37	1,30	0,59	PHS 08B-1TB35
36		145,72	B	2012	14	50,8	32,0	90,0	7,37	1,48	0,59	PHS 08B-1TB36
38		153,80	B	2012	14	50,8	32,0	90,0	7,37	1,67	0,59	PHS 08B-1TB38
40		161,87	B	2012	14	50,8	32,0	90,0	7,37	1,80	0,59	PHS 08B-1TB40
42		169,94	B	2012	14	50,8	32,0	100,0	7,37	1,93	0,59	PHS 08B-1TB42
45		182,07	B	2012	14	50,8	32,0	100,0	7,37	2,06	0,59	PHS 08B-1TB45
48	194,18	B	2012	14	50,8	32,0	100,0	7,37	2,36	0,59	PHS 08B-1TB48	

⁴⁾ Undercut in hub for chain clearance

All Type B or C sprockets, up to and including 25 tooth, are with hardened teeth as standard.

For any additional size sprockets with hardened teeth, add "H" before the number of teeth, e.g. PHS 08B-1TBH16.

Metric sprockets, simplex, taper bushed

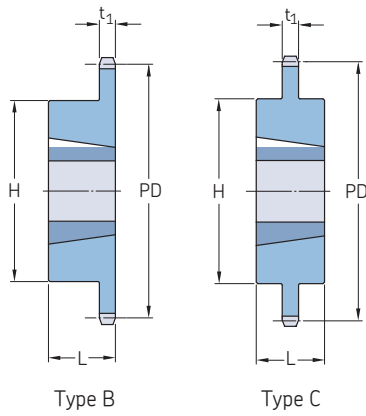
ISO 08B-1 · 12,70 mm pitch | ISO 10B-1 · 15,88 mm pitch | ISO 12B-1 · 19,05 mm pitch

Pitch	Number of teeth	Pitch diameter	Type	Bushing number	Dimensions				Plate thickness	Mass Rim	Bushing	Designation	
					Bore		L	H					
		PD			Min.	Max.			t ₁				
mm	-	mm	-	-	mm					kg	-		
12,70	54	218,42	B	2012	14	50,8	32,0	100,0	7,37	2,66	0,59	PHS 08B-1TB54	
	57	230,53	B	2012	14	50,8	32,0	100,0	7,37	3,07	0,59	PHS 08B-1TB57	
	60	242,66	B	2012	14	50,8	32,0	100,0	7,37	3,23	0,59	PHS 08B-1TB60	
	70	283,07	B	2012	14	50,8	32,0	100,0	7,37	3,39	0,59	PHS 08B-1TB70	
	72	291,15	B	2012	14	50,8	32,0	100,0	7,37	3,55	0,59	PHS 08B-1TB72	
	76	307,31	B	2012	14	50,8	32,0	100,0	7,37	3,71	0,59	PHS 08B-1TB76	
	80	323,49	B	2012	14	50,8	32,0	100,0	7,37	4,55	0,59	PHS 08B-1TB80	
	84	339,65	B	2012	14	50,8	32,0	100,0	7,37	5,39	0,59	PHS 08B-1TB84	
	95	384,10	B	2012	14	50,8	32,0	100,0	7,37	6,23	0,59	PHS 08B-1TB95	
	96	388,15	B	2012	14	50,8	32,0	100,0	7,37	7,00	0,59	PHS 08B-1TB96	
	114	460,90	B	2517	16	63,5	45,0	110,0	7,37	8,10	1,30	PHS 08B-1TB114	
	15,88	12	61,34	B	1008	9	25,4	22,0	49,2 ¹⁾	9,17	0,21	0,09	PHS 10B-1TBH12
		13	66,32	B	1008	9	25,4	22,0	47,0	9,17	0,25	0,09	PHS 10B-1TBH13
		14	71,34	B	1108	9	25,4	22,0	52,0	9,17	0,27	0,12	PHS 10B-1TBH14
15		76,36	B	1210	11	31,8	25,0	60,0	9,17	0,33	0,21	PHS 10B-1TBH15	
16		81,37	B	1610	14	41,3	25,0	70,6 ⁴⁾	9,17	0,32	0,31	PHS 10B-1TBH16	
17		86,39	B	1610	14	41,3	25,0	71,0 ⁴⁾	9,17	0,40	0,31	PHS 10B-1TBH17	
18		91,42	B	1610	14	41,3	25,0	75,0	9,17	0,50	0,31	PHS 10B-1TBH18	
19		96,45	B	1610	14	41,3	25,0	75,0	9,17	0,56	0,31	PHS 10B-1TBH19	
20		101,49	B	1610	14	41,3	25,0	76,0	9,17	0,64	0,31	PHS 10B-1TBH20	
21		106,52	B	1610	14	41,3	25,0	76,0	9,17	0,69	0,31	PHS 10B-1TBH21	
22		111,55	B	1610	14	41,3	25,0	76,0	9,17	0,75	0,31	PHS 10B-1TBH22	
23		116,58	B	1610	14	41,3	25,0	76,0	9,17	0,81	0,31	PHS 10B-1TBH23	
24		121,62	B	2012	14	50,8	32,0	90,0	9,17	1,00	0,59	PHS 10B-1TBH24	
25		126,66	B	2012	14	50,8	32,0	90,0	9,17	1,06	0,59	PHS 10B-1TBH25	
26		131,70	B	2012	14	50,8	32,0	90,0	9,17	1,14	0,59	PHS 10B-1TB26	
27		136,75	B	2012	14	50,8	32,0	90,0	9,17	1,19	0,59	PHS 10B-1TB27	
28		141,78	B	2012	14	50,8	32,0	90,0	9,17	1,28	0,59	PHS 10B-1TB28	
29		146,83	B	2012	14	50,8	32,0	90,0	9,17	1,37	0,59	PHS 10B-1TB29	
30		151,87	B	2012	14	50,8	32,0	90,0	9,17	1,65	0,59	PHS 10B-1TB30	
32		161,96	B	2012	14	50,8	32,0	98,0	9,17	2,21	0,59	PHS 10B-1TB32	
35		177,10	B	2012	14	50,8	32,0	98,0	9,17	3,05	0,59	PHS 10B-1TB35	
36		182,15	B	2012	14	50,8	32,0	98,0	9,17	3,33	0,59	PHS 10B-1TB36	
38		192,24	B	2012	14	50,8	32,0	100,0	9,17	3,89	0,59	PHS 10B-1TB38	
40		202,33	B	2012	14	50,8	32,0	100,0	9,17	4,45	0,59	PHS 10B-1TB40	
42		212,43	B	2012	14	50,8	32,0	100,0	9,17	5,01	0,59	PHS 10B-1TB42	
45		227,58	B	2012	14	50,8	32,0	100,0	9,17	3,97	0,59	PHS 10B-1TB45	
48		242,73	B	2012	14	50,8	32,0	100,0	9,17	6,69	0,59	PHS 10B-1TB48	
54		273,03	B	2012	14	50,8	32,0	100,0	9,17	8,37	0,59	PHS 10B-1TB54	
57		288,19	B	2012	14	50,8	32,0	100,0	9,17	5,45	0,59	PHS 10B-1TB57	
60		303,33	B	2012	14	50,8	32,0	100,0	9,17	10,05	0,59	PHS 10B-1TB60	
70		353,84	B	2012	16	63,5	45,0	100,0	9,17	12,85	1,30	PHS 10B-1TB70	
72		363,95	B	2012	16	63,5	45,0	100,0	9,17	13,41	1,30	PHS 10B-1TB72	
76		384,15	B	2012	14	50,8	45,0	100,0	9,17	7,43	0,59	PHS 10B-1TB76	
80		404,35	B	2012	16	63,5	45,0	110,0	9,17	15,65	1,30	PHS 10B-1TB80	
84		424,70	B	2012	16	63,5	45,0	110,0	9,17	16,77	1,30	PHS 10B-1TB84	
95		480,14	B	2517	14	50,8	45,0	110,0	9,17	19,85	0,59	PHS 10B-1TB95	
96		485,30	B	2517	16	63,5	45,0	110,0	9,17	20,13	1,30	PHS 10B-1TB96	
114		576,13	B	2517	16	63,5	45,0	110,0	9,17	25,17	1,30	PHS 10B-1TB114	
19,05		11	67,61	B	1008	9	25,4	22,0	46,0	11,10	0,22	0,09	PHS 12B-1TBH11
		12	73,61	B	1008	9	25,4	22,0	49,2	11,10	0,30	0,09	PHS 12B-1TBH12
		13	79,59	B	1210	11	31,8	25,0	60,0	11,10	0,38	0,21	PHS 12B-1TBH13
		14	85,61	B	1610	14	41,3	25,0	70,0	11,10	0,46	0,31	PHS 12B-1TBH14
	15	91,63	B	1610	14	41,3	25,0	70,0	11,10	0,48	0,31	PHS 12B-1TBH15	
	16	97,65	B	1610	14	41,3	25,0	75,0	11,10	0,60	0,31	PHS 12B-1TBH16	
	17	103,67	B	1610	14	41,3	25,0	76,0	11,10	0,70	0,31	PHS 12B-1TBH17	
	18	109,71	B	2012	14	50,8	32,0	90,0	11,10	0,86	0,59	PHS 12B-1TBH18	
	19	115,75	B	2012	14	50,8	32,0	90,0	11,10	0,98	0,59	PHS 12B-1TBH19	
	20	121,78	B	2012	14	50,8	32,0	95,0	11,10	1,25	0,59	PHS 12B-1TBH20	
	21	127,82	B	2517	16	63,5	45,0	102,0	11,10	1,28	1,30	PHS 12B-1TBH21	
	22	133,86	B	2517	16	63,5	45,0	102,0	11,10	1,37	1,30	PHS 12B-1TBH22	
	23	139,90	B	2517	16	63,5	45,0	108,0	11,10	1,75	1,30	PHS 12B-1TBH23	
	24	145,94	B	2517	16	63,5	45,0	108,0	11,10	1,85	1,30	PHS 12B-1TBH24	
	25	152,00	B	2517	16	63,5	45,0	108,0	11,10	1,95	1,30	PHS 12B-1TBH25	
	26	158,04	B	2517	16	63,5	45,0	108,0	11,10	2,09	1,30	PHS 12B-1TB26	
	27	164,09	B	2517	16	63,5	45,0	108,0	11,10	2,22	1,30	PHS 12B-1TB27	
	28	170,13	B	2517	16	63,5	45,0	108,0	11,10	2,36	1,30	PHS 12B-1TB28	
	29	176,19	B	2517	16	63,5	45,0	108,0	11,10	2,75	1,30	PHS 12B-1TB29	
	30	182,25	B	2517	16	63,5	45,0	108,0	11,10	2,89	1,30	PHS 12B-1TB30	
	32	194,36	B	2517	16	63,5	45,0	108,0	11,10	3,59	1,30	PHS 12B-1TB32	
	35	212,52	B	2517	16	63,5	45,0	108,0	11,10	4,41	1,30	PHS 12B-1TB35	
	36	218,58	B	2517	16	63,5	45,0	108,0	11,10	4,68	1,30	PHS 12B-1TB36	
	38	230,69	B	2517	16	63,5	45,0	108,0	11,10	4,60	1,30	PHS 12B-1TB38	

¹⁾ Undercut in hub for chain clearance
 All Type B or C sprockets, up to and including 25 tooth, are with hardened teeth as standard.
 For any additional size sprockets with hardened teeth, add "H" before the number of teeth, e.g. PHS 08B-1TBH16.

Metric sprockets, simplex, taper bushed

ISO 12B-1 · 19,05 mm pitch | ISO 16B-1 · 25,40 mm pitch



Pitch	Number of teeth	Pitch diameter PD	Type	Bushing number	Dimensions				Plate thickness t_1	Mass Rim	Bushing	Designation
					Bore	Min.	Max.	L				
mm	-	mm	-	-	mm						-	
19,05	40	242,81	B	2517	16	63,5	45,0	108,0	11,10	5,78	1,30	PHS 12B-1TB40
	42	254,93	B	2517	16	63,5	45,0	108,0	11,10	6,33	1,30	PHS 12B-1TB42
	45	273,10	B	2517	16	63,5	45,0	108,0	11,10	5,70	1,30	PHS 12B-1TB45
	48	291,27	B	2517	16	63,5	45,0	108,0	11,10	7,97	1,30	PHS 12B-1TB48
	54	327,64	B	2517	16	63,5	45,0	108,0	11,10	9,61	1,30	PHS 12B-1TB54
	57	345,81	B	2517	16	63,5	45,0	108,0	11,10	6,49	1,30	PHS 12B-1TB57
	60	363,99	B	2517	16	63,5	45,0	108,0	11,10	11,25	1,30	PHS 12B-1TB60
	68	412,49	B	2517	16	63,5	45,0	108,0	11,10	13,44	1,30	PHS 12B-1TB68
	70	424,60	B	2517	16	63,5	45,0	108,0	11,10	13,99	1,30	PHS 12B-1TB70
	72	436,74	B	2517	16	63,5	45,0	108,0	11,10	14,54	1,30	PHS 12B-1TB72
	76	460,99	B	2517	16	63,5	45,0	108,0	11,10	11,20	1,30	PHS 12B-1TB76
	84	509,48	B	2517	16	63,5	45,0	108,0	11,10	17,82	1,30	PHS 12B-1TB84
	95	576,17	B	2517	16	63,5	45,0	108,0	11,10	17,64	1,30	PHS 12B-1TB95
	96	582,23	B	2517	16	63,5	45,0	108,0	11,10	21,11	1,30	PHS 12B-1TB96
114	691,36	B	2517	16	63,5	64,0	108,0	11,10	26,04	1,30	PHS 12B-1TB114	
25,40	10	82,19	B	1215	11	31,8	38,0	62,7	16,18	0,34	0,30	PHS 16B-1TBH10
	11	90,14	B	1215	11	31,8	38,0	62,7	16,18	0,57	0,30	PHS 16B-1TBH11
	12	98,14	B	1615	14	41,3	38,0	76,2	16,18	0,81	0,43	PHS 16B-1TBH12
	13	106,12	B	1615	14	41,3	38,0	73,0	16,18	1,03	0,43	PHS 16B-1TBH13
	14	114,15	B	1615	14	41,3	38,0	78,0	16,18	1,26	0,43	PHS 16B-1TBH14
	15	122,17	B	1615	14	41,3	38,0	76,0	16,18	1,40	0,43	PHS 16B-1TBH15
	16	130,20	B	2012	14	50,8	32,0	90,0	16,18	1,42	0,59	PHS 16B-1TBH16
	17	138,22	B	2012	14	50,8	32,0	90,0	16,18	1,60	0,59	PHS 16B-1TBH17
	18	146,28	B	2517	16	63,5	45,0	108,0	16,18	2,09	1,30	PHS 16B-1TBH18
	19	154,33	B	2517	16	63,5	45,0	108,0	16,18	2,30	1,30	PHS 16B-1TBH19
	20	162,38	B	2517	16	63,5	45,0	110,0	16,18	2,56	1,30	PHS 16B-1TBH20
	21	170,43	B	2517	16	63,5	45,0	110,0	16,18	2,80	1,30	PHS 16B-1TBH21
	22	178,48	B	2517	16	63,5	45,0	110,0	16,18	3,36	1,30	PHS 16B-1TBH22
	23	186,53	B	2517	16	63,5	45,0	110,0	16,18	3,34	1,30	PHS 16B-1TBH23
	24	194,59	B	2517	16	63,5	45,0	110,0	16,18	3,66	1,30	PHS 16B-1TBH24
	25	202,66	B	2517	16	63,5	45,0	110,0	16,18	3,96	1,30	PHS 16B-1TBH25
	26	210,72	B	2517	16	63,5	45,0	110,0	16,18	4,26	1,30	PHS 16B-1TB26
	27	218,79	B	2517	16	63,5	45,0	110,0	16,18	4,63	1,30	PHS 16B-1TB27
	28	226,85	B	2517	16	63,5	45,0	140,0	16,18	4,97	1,30	PHS 16B-1TB28
	29	234,92	B	3020	25	76,2	51,0	140,0	16,18	6,24	2,24	PHS 16B-1TB29
	30	243,00	B	3020	25	76,2	51,0	140,0	16,18	6,67	2,24	PHS 16B-1TB30
	32	259,13	B	3020	25	76,2	51,0	140,0	16,18	8,37	2,24	PHS 16B-1TB32
	35	283,36	B	3020	25	76,2	51,0	140,0	16,18	10,92	2,24	PHS 16B-1TB35
	36	291,44	B	3020	25	76,2	51,0	140,0	16,18	11,77	2,24	PHS 16B-1TB36
	38	307,59	B	3020	25	76,2	51,0	140,0	16,18	9,49	2,24	PHS 16B-1TB38
	40	323,75	B	3020	25	76,2	51,0	140,0	16,18	15,17	2,24	PHS 16B-1TB40
	45	364,13	B	3020	25	76,2	51,0	140,0	16,18	11,70	2,24	PHS 16B-1TB45
	48	388,36	B	3020	25	76,2	51,0	140,0	16,18	18,91	2,24	PHS 16B-1TB48
54	436,85	B	3020	25	76,2	51,0	140,0	16,18	21,72	2,24	PHS 16B-1TB54	
57	461,07	B	3020	25	76,2	51,0	140,0	16,18	15,00	2,24	PHS 16B-1TB57	
60	485,32	B	3020	25	76,2	51,0	140,0	16,18	24,52	2,24	PHS 16B-1TB60	
64	517,65	B	3020	25	76,2	51,0	140,0	16,18	26,39	2,24	PHS 16B-1TB64	
70	566,14	B	3020	25	76,2	51,0	140,0	16,18	29,20	2,24	PHS 16B-1TB70	
76	614,65	B	3020	25	76,2	51,0	140,0	16,18	23,00	2,24	PHS 16B-1TB76	
80	646,96	B	3020	25	76,2	51,0	140,0	16,18	33,87	2,24	PHS 16B-1TB80	
84	679,30	B	3020	25	76,2	51,0	140,0	16,18	35,74	2,24	PHS 16B-1TB84	
95	768,22	B	3020	25	76,2	51,0	140,0	16,18	40,88	2,24	PHS 16B-1TB95	
114	921,81	B	3020	25	76,2	76,0	140,0	16,18	49,77	2,24	PHS 16B-1TB114	

¹⁾ Undercut in hub for chain clearance

All Type B or C sprockets, up to and including 25 tooth, are with hardened teeth as standard.

For any additional size sprockets with hardened teeth, add "H" before the number of teeth, e.g. PHS 08B-1TBH16.

Metric sprockets, simplex, taper bushed

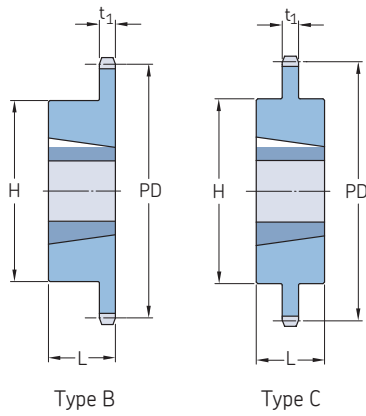
ISO 20B-1 · 31,75 mm pitch | ISO 24B-1 · 38,10 mm pitch | ISO 28B-1 · 44,45 mm pitch

Pitch	Number of teeth	Pitch diameter	Type	Bushing number	Dimensions				Plate thickness	Mass Rim	Bushing	Designation	
					Bore		L	H					
		PD			Min.	Max.			t ₁				
mm	-	mm	-	-	mm				kg		-		
31,75	11	112,70	B	1615	14	41,3	38,0	62,7	18,59	1,22	0,43	PHS 20B-1TBH11	
	12	122,67	B	1615	14	41,3	38,0	70,6	18,59	1,41	0,43	PHS 20B-1TBH12	
	13	132,67	B	2012	14	50,8	32,0	90,0	18,59	1,45	0,59	PHS 20B-1TBH13	
	14	142,68	B	2012	14	50,8	32,0	90,5	18,59	1,63	0,59	PHS 20B-1TBH14	
	15	152,71	B	2517	16	63,5	45,0	108,0	18,59	2,31	1,30	PHS 20B-1TBH15	
	16	162,75	B	2517	16	63,5	45,0	108,0	18,59	2,72	1,30	PHS 20B-1TBH16	
	17	172,79	B	2517	16	63,5	45,0	108,0	18,59	3,27	1,30	PHS 20B-1TBH17	
	18	182,84	B	2517	16	63,5	45,0	108,0	18,59	3,63	1,30	PHS 20B-1TBH18	
	19	192,90	B	2517	16	63,5	45,0	108,0	18,59	4,09	1,30	PHS 20B-1TBH19	
	20	202,96	B	2517	16	63,5	45,0	108,0	18,59	4,40	1,30	PHS 20B-1TBH20	
	21	213,03	B	2517	16	63,5	45,0	108,0	18,59	4,54	1,30	PHS 20B-1TBH21	
	22	223,10	B	2517	16	63,5	45,0	108,0	18,59	4,77	1,30	PHS 20B-1TBH22	
	23	233,17	B	2517	16	63,5	45,0	108,0	18,59	5,58	1,30	PHS 20B-1TBH23	
	24	243,25	B	2517	16	63,5	45,0	108,0	18,59	6,13	1,30	PHS 20B-1TBH24	
	25	253,32	B	2517	16	63,5	45,0	108,0	18,59	6,95	1,30	PHS 20B-1TBH25	
	26	263,41	B	2517	16	63,5	51,0	108,0	18,59	7,35	1,30	PHS 20B-1TB26	
	28	283,57	B	3020	25	76,2	51,0	150,0	18,59	7,90	2,24	PHS 20B-1TB28	
	30	303,75	B	3020	25	76,2	51,0	150,0	18,59	9,62	2,24	PHS 20B-1TB30	
	32	323,92	B	3020	25	76,2	51,0	160,0	18,59	11,03	2,24	PHS 20B-1TB32	
	35	354,20	B	3020	25	76,2	51,0	160,0	18,59	13,15	2,24	PHS 20B-1TB35	
	36	364,29	B	3020	25	76,2	51,0	160,0	18,59	13,86	2,24	PHS 20B-1TB36	
	38	384,48	B	3020	25	76,2	51,0	160,0	18,59	15,98	2,24	PHS 20B-1TB38	
	40	404,67	B	3020	25	76,2	51,0	160,0	18,59	19,43	2,24	PHS 20B-1TB40	
	45	455,15	B	3020	25	76,2	51,0	160,0	18,59	25,18	2,24	PHS 20B-1TB45	
	48	485,45	B	3020	25	76,2	51,0	160,0	18,59	28,62	2,24	PHS 20B-1TB48	
	54	546,05	B	3020	25	76,2	51,0	160,0	18,59	35,52	2,24	PHS 20B-1TB54	
	57	576,35	B	3020	25	76,2	51,0	160,0	18,59	37,82	2,24	PHS 20B-1TB57	
	60	606,66	B	3020	25	76,2	51,0	160,0	18,59	41,27	2,24	PHS 20B-1TB60	
	70	707,68	C	3535	35	88,9	51,0	160,0	24,13	51,56	5,18	PHS 20B-1TB70	
	72	727,89	C	3535	35	88,9	51,0	160,0	24,13	53,97	5,18	PHS 20B-1TB72	
	76	768,30	C	3535	35	88,9	51,0	160,0	24,13	60,33	5,18	PHS 20B-1TB76	
	80	808,71	C	3535	35	88,9	51,0	160,0	24,13	66,23	5,18	PHS 20B-1TB80	
	84	849,13	C	3535	35	88,9	51,0	160,0	24,13	73,48	5,18	PHS 20B-1TB84	
	90	909,76	C	3535	35	88,9	51,0	160,0	24,13	94,33	5,18	PHS 20B-1TB90	
	95	960,28	C	3535	35	88,9	51,0	160,0	24,13	96,16	5,18	PHS 20B-1TB95	
	38,10	11	135,23	B	2012	14	50,8	31,8	90,5	24,13	2,28	0,59	PHS 24B-1TBH11
		12	147,21	B	2012	14	50,8	31,8	90,5	24,13	2,49	0,59	PHS 24B-1TBH12
		13	159,20	B	2517	16	63,5	44,5	107,9	24,13	2,77	1,30	PHS 24B-1TBH13
		14	171,22	B	2517	16	63,5	44,5	107,9	24,13	3,54	1,30	PHS 24B-1TBH14
		15	183,25	B	2517	16	63,5	44,5	107,9	24,13	4,31	1,30	PHS 24B-1TBH15
		16	195,29	B	3020	25	76,2	50,8	133,4	24,13	4,77	2,24	PHS 24B-1TBH16
		17	207,35	B	3020	25	76,2	50,8	133,4	24,13	5,45	2,24	PHS 24B-1TBH17
		18	219,41	B	3020	25	76,2	50,8	133,4	24,13	6,13	2,24	PHS 24B-1TBH18
		19	231,48	B	3020	25	76,2	50,8	133,4	24,13	6,81	2,24	PHS 24B-1TBH19
		20	243,55	B	3020	25	76,2	50,8	133,4	24,13	7,49	2,24	PHS 24B-1TBH20
21		255,63	B	3020	25	76,2	50,8	133,4	24,13	7,94	2,24	PHS 24B-1TBH21	
22		267,72	B	3020	25	76,2	50,8	133,4	24,13	8,75	2,24	PHS 24B-1TBH22	
23		279,80	B	3020	25	76,2	50,8	133,4	24,13	9,53	2,24	PHS 24B-1TBH23	
24		291,90	B	3020	25	76,2	50,8	133,4	24,13	10,67	2,24	PHS 24B-1TBH24	
25		303,99	B	3020	25	76,2	50,8	133,4	24,13	11,80	2,24	PHS 24B-1TBH25	
26		316,09	B	3020	25	76,2	50,8	133,4	24,13	12,93	2,24	PHS 24B-1TB26	
27		328,19	B	3020	25	76,2	50,8	133,4	24,13	13,50	2,24	PHS 24B-1TB27	
28		340,29	B	3020	25	76,2	50,8	133,4	24,13	14,70	2,24	PHS 24B-1TB28	
29		352,29	B	3020	25	76,2	50,8	133,4	24,13	14,75	2,24	PHS 24B-1TB29	
30		364,49	B	3020	25	76,2	50,8	133,4	24,13	15,20	2,24	PHS 24B-1TB30	
32		388,71	B	3020	25	76,2	50,8	133,4	24,13	15,76	2,24	PHS 24B-1TB32	
38		461,37	B	3030	35	76,2	76,2	139,7	24,13	24,97	3,04	PHS 24B-1TB38	
40		485,60	C	3030	35	76,2	76,2	139,7	24,13	28,46	3,04	PHS 24B-1TB40	
42		509,83	C	3030	35	76,2	76,2	139,7	24,13	31,95	3,04	PHS 24B-1TB42	
45		546,19	C	3030	35	76,2	76,2	139,7	24,13	37,19	3,04	PHS 24B-1TB45	
48		582,54	C	3030	35	76,2	76,2	139,7	24,13	42,43	3,04	PHS 24B-1TB48	
50		606,78	C	3030	35	76,2	76,2	139,7	24,13	45,92	3,04	PHS 24B-1TB50	
54		655,26	C	3535	35	88,9	88,9	165,1	24,13	63,32	5,18	PHS 24B-1TB54	
57		691,62	C	3535	35	88,9	88,9	165,1	24,13	71,46	5,18	PHS 24B-1TB57	
60		727,99	C	3535	35	88,9	88,9	165,1	24,13	79,60	5,18	PHS 24B-1TB60	
68		824,97	C	3535	35	88,9	88,9	165,1	24,13	101,31	5,18	PHS 24B-1TB68	
72		873,46	C	3535	35	88,9	88,9	165,1	24,13	112,17	5,18	PHS 24B-1TB72	
76		921,96	C	3535	35	88,9	88,9	165,1	24,13	123,02	5,18	PHS 24B-1TB76	
95		1 152,33	C	4040	40	101,6	101,6	196,9	24,13	196,67	8,27	PHS 24B-1TB95	
96		1 164,46	C	4040	40	101,6	101,6	196,9	24,13	201,03	8,27	PHS 24B-1TB96	
114		1 382,72	C	4040	40	101,6	101,6	196,9	24,13	279,50	8,27	PHS 24B-1TB114	
44,45		11	157,77	B	2517	16	63,5	44,5	107,9	29,44	3,53	1,30	PHS 28B-1TBH11
		12	171,74	B	2517	16	63,5	44,5	107,9	29,44	3,86	1,30	PHS 28B-1TBH12

¹⁾ Undercut in hub for chain clearance
 All Type B or C sprockets, up to and including 25 tooth, are with hardened teeth as standard.
 For any additional size sprockets with hardened teeth, add "H" before the number of teeth, e.g. PHS 08B-1TBH16.

Metric sprockets, simplex, taper bushed

ISO 28B-1 · 44,45 mm pitch | ISO 32B-1 · 50,80 mm pitch



Pitch	Number of teeth	Pitch diameter	Type	Bushing number	Dimensions				Plate thickness	Mass Rim	Bushing	Designation
					Bore	Min.	Max.	L				
mm	-	mm	-	-	mm				kg	-	-	
44,45	13	185,75	B	3020	25	76,2	50,8	133,4	29,44	5,90	2,24	PHS 28B-1TBH13
	14	199,76	B	3020	25	76,2	50,8	133,4	29,44	7,04	2,24	PHS 28B-1TBH14
	15	213,79	B	3020	25	76,2	50,8	133,4	29,44	8,17	2,24	PHS 28B-1TBH15
	16	227,84	B	3020	25	76,2	50,8	133,4	29,44	9,76	2,24	PHS 28B-1TBH16
	17	241,91	B	3020	25	76,2	50,8	133,4	29,44	11,35	2,24	PHS 28B-1TBH17
	18	255,98	B	3020	25	76,2	50,8	133,4	29,44	12,49	2,24	PHS 28B-1TBH18
	19	270,06	B	3020	25	76,2	50,8	133,4	29,44	13,62	2,24	PHS 28B-1TBH19
	20	284,15	B	3020	25	76,2	50,8	133,4	29,44	14,30	2,24	PHS 28B-1TBH20
	21	298,24	B	3020	25	76,2	50,8	133,4	29,44	14,98	2,24	PHS 28B-1TBH21
	22	312,34	B	3020	25	76,2	50,8	133,4	29,44	16,91	2,24	PHS 28B-1TBH22
	23	326,44	B	3020	25	76,2	50,8	133,4	29,44	18,84	2,24	PHS 28B-1TBH23
	24	340,55	B	3020	25	76,2	50,8	133,4	29,44	20,77	2,24	PHS 28B-1TBH24
	25	354,66	B	3020	25	76,2	50,8	133,4	29,44	22,70	2,24	PHS 28B-1TBH25
	26	368,77	B	3020	25	76,2	50,8	133,4	29,44	24,63	2,24	PHS 28B-1TB26
	27	382,88	B	3020	25	76,2	50,8	133,4	29,44	26,56	2,24	PHS 28B-1TB27
	28	397,00	B	3020	25	76,2	50,8	133,4	29,44	28,49	2,24	PHS 28B-1TB28
	30	425,24	B	3020	25	76,2	50,8	133,4	29,44	32,35	2,24	PHS 28B-1TB30
	32	453,49	B	3020	25	76,2	50,8	133,4	29,44	36,21	2,24	PHS 28B-1TB32
	38	538,27	B	3535	35	88,9	88,9	165,1	29,44	45,40	3,56	PHS 28B-1TB38
	40	566,54	C	3535	35	88,9	88,9	165,1	29,44	47,79	3,56	PHS 28B-1TB40
	42	594,82	C	3535	35	88,9	88,9	165,1	29,44	50,18	3,56	PHS 28B-1TB42
	45	637,22	C	4040	40	101,6	101,6	219,1	29,44	57,35	8,27	PHS 28B-1TB45
	48	679,63	C	4040	40	101,6	101,6	219,1	29,44	61,17	8,27	PHS 28B-1TB48
	54	764,46	C	4040	40	101,6	101,6	219,1	29,44	68,82	8,27	PHS 28B-1TB54
	57	806,90	C	4040	40	101,6	101,6	219,1	29,44	72,64	8,27	PHS 28B-1TB57
	60	849,32	C	4040	40	101,6	101,6	219,1	29,44	76,44	8,27	PHS 28B-1TB60
	68	962,46	C	4040	40	101,6	101,6	219,1	29,44	86,63	8,27	PHS 28B-1TB68
72	1 019,05	C	4040	40	101,6	101,6	219,1	29,44	91,73	8,27	PHS 28B-1TB72	
76	1 075,62	C	4040	40	101,6	101,6	219,1	29,44	96,83	8,27	PHS 28B-1TB76	
95	1 344,37	C	4040	40	101,6	101,6	219,1	29,44	121,03	8,27	PHS 28B-1TB95	
50,80	11	180,34	B	2517	16	63,5	44,5	107,9	29,44	4,51	1,30	PHS 32B-1TBH11
	12	196,29	B	3020	25	76,2	50,8	133,4	29,44	5,27	2,24	PHS 32B-1TBH12
	13	212,29	B	3020	25	76,2	50,8	133,4	29,44	6,38	2,24	PHS 32B-1TBH13
	14	228,29	B	3020	25	76,2	50,8	133,4	29,44	6,87	2,24	PHS 32B-1TBH14
	15	244,30	B	3535	35	88,9	88,9	165,1	29,44	11,80	5,18	PHS 32B-1TBH15
	16	260,40	B	3535	35	88,9	88,9	165,1	29,44	13,38	5,18	PHS 32B-1TBH16
	17	276,40	B	3535	35	88,9	88,9	165,1	29,44	14,98	5,18	PHS 32B-1TBH17
	18	292,55	B	3535	35	88,9	88,9	165,1	29,44	16,12	5,18	PHS 32B-1TBH18
	19	308,66	B	3535	35	88,9	88,9	165,1	29,44	17,25	5,18	PHS 32B-1TBH19
	20	324,71	B	3535	35	88,9	88,9	165,1	29,44	21,10	5,18	PHS 32B-1TBH20
	21	340,82	B	3535	35	88,9	88,9	165,1	29,44	24,94	5,18	PHS 32B-1TBH21
	22	356,98	B	3535	35	88,9	88,9	165,1	29,44	27,79	5,18	PHS 32B-1TBH22
	23	373,08	B	3535	35	88,9	88,9	165,1	29,44	30,64	5,18	PHS 32B-1TBH23
	24	389,18	B	3535	35	88,9	88,9	165,1	29,44	33,48	5,18	PHS 32B-1TBH24
	25	405,33	B	3535	35	88,9	88,9	165,1	29,44	36,32	5,18	PHS 32B-1TBH25
	26	421,44	B	3535	35	88,9	88,9	165,1	29,44	39,16	5,18	PHS 32B-1TB26
	27	437,59	B	3535	35	88,9	88,9	165,1	29,44	42,00	5,18	PHS 32B-1TB27
	28	453,69	B	3535	35	88,9	88,9	165,1	29,44	44,84	5,18	PHS 32B-1TB28
	30	486,00	B	3535	35	88,9	88,9	165,1	29,44	50,52	5,18	PHS 32B-1TB30
	32	518,26	B	3535	35	88,9	88,9	165,1	29,44	56,20	5,18	PHS 32B-1TB32
	38	615,14	B	4040	40	101,6	101,6	219,1	29,44	68,10	8,27	PHS 32B-1TB38
	40	647,49	C	4040	40	101,6	101,6	219,1	29,44	77,08	8,27	PHS 32B-1TB40
	45	728,26	C	4040	40	101,6	101,6	219,1	29,44	99,53	8,27	PHS 32B-1TB45
	48	776,72	C	4040	40	101,6	101,6	219,1	29,44	113,01	8,27	PHS 32B-1TB48

1) Undercut in hub for chain clearance

All Type B or C sprockets, up to and including 25 tooth, are with hardened teeth as standard.

For any additional size sprockets with hardened teeth, add "H" before the number of teeth, e.g. PHS 08B-1TBH16.

Metric sprockets, simplex, taper bushed

ISO 32B-1 · 50,80 mm pitch

Pitch	Number of teeth	Pitch diameter PD	Type	Bushing number	Dimensions				Plate thickness t_1	Mass Rim	Bushing	Designation
					Bore		L	H				
mm	–	mm	–	–	mm	Min.	Max.				–	
50,80	54	873,68	C	4040	40	101,6	114,3	219,1	29,44	139,95	8,27	PHS 32B-1TB54
	57	922,17	C	4545	55	114,3	114,3	247,7	29,44	136,20	9,99	PHS 32B-1TB57
	60	970,63	C	4545	55	114,3	114,3	247,7	29,44	158,84	9,99	PHS 32B-1TB60
	64	1 035,30	C	4545	55	114,3	114,3	247,7	29,44	189,03	9,99	PHS 32B-1TB64
	70	1 132,29	C	4545	55	114,3	114,3	247,7	29,44	234,32	9,99	PHS 32B-1TB70

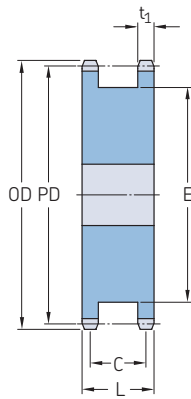
¹⁾ Undercut in hub for chain clearance

All Type B or C sprockets, up to and including 25 tooth, are with hardened teeth as standard.

For any additional size sprockets with hardened teeth, add "H" before the number of teeth, e.g. PHS 08B-1TBH16.

Metric sprockets, double simplex, pilot bore

ISO 06B-1 · 9,525 mm pitch | ISO 08B-1 · 12,70 mm pitch | ISO 10B-1 · 15,88 mm pitch | ISO 12B-1 · 19,05 mm pitch



Type A

Pitch	Number of teeth	Diameters Outside		Pitch	Type	Dimensions Bore			Plate thickness t ₁	Mass	Designation	
		OD	PD			Min.	Max.	L				C
mm	-	mm		-	-	mm			kg	-		
9,525	14	46,30	42,80	A	10	20,00	25,5	20,3	31	5,31	0,17	PHS 06B-1DSA14
	15	49,30	45,81	A	10	23,00	25,5	20,3	34	5,31	0,20	PHS 06B-1DSA15
	16	52,30	48,82	A	10	25,00	25,5	20,3	37	5,31	0,23	PHS 06B-1DSA16
	17	55,30	51,83	A	12	27,00	25,5	20,3	40	5,31	0,27	PHS 06B-1DSA17
	18	58,30	54,85	A	12	29,00	25,5	20,3	43	5,31	0,30	PHS 06B-1DSA18
	19	61,30	57,87	A	12	31,00	25,5	20,3	46	5,31	0,35	PHS 06B-1DSA19
	20	64,30	60,89	A	12	33,00	25,5	20,3	48	5,31	0,39	PHS 06B-1DSA20
	21	68,00	63,91	A	15	35,00	25,5	20,3	52	5,31	0,44	PHS 06B-1DSA21
	22	71,00	66,93	A	15	36,00	25,5	20,3	55	5,31	0,50	PHS 06B-1DSA22
	23	73,50	69,95	A	15	38,00	25,5	20,3	59	5,31	0,55	PHS 06B-1DSA23
24	77,00	72,97	A	15	40,00	25,5	20,3	61	5,31	0,61	PHS 06B-1DSA24	
25	80,00	76,02	A	15	43,00	25,5	20,3	65	5,31	0,67	PHS 06B-1DSA25	
12,70	12	53,00	49,07	A	10	24,00	32,0	24,8	35	7,20	0,35	PHS 08B-1DSA12
	13	57,40	53,06	A	10	26,00	32,0	24,8	37	7,20	0,41	PHS 08B-1DSA13
	14	61,80	57,07	A	10	27,00	32,0	24,8	41	7,20	0,49	PHS 08B-1DSA14
	15	65,50	61,09	A	10	30,00	32,0	24,8	45	7,20	0,55	PHS 08B-1DSA15
	16	69,50	65,10	A	12	34,00	32,0	24,8	50	7,20	0,64	PHS 08B-1DSA16
	17	73,60	69,11	A	12	36,00	32,0	24,8	53	7,20	0,73	PHS 08B-1DSA17
	18	77,80	73,14	A	12	38,00	32,0	24,8	58	7,20	0,82	PHS 08B-1DSA18
	19	81,70	77,16	A	12	41,00	32,0	24,8	62	7,20	1,00	PHS 08B-1DSA19
	20	85,80	81,18	A	12	44,00	32,0	24,8	66	7,20	1,18	PHS 08B-1DSA20
	21	89,70	85,22	A	15	46,00	32,0	24,8	70	7,20	1,32	PHS 08B-1DSA21
22	93,80	89,24	A	15	48,00	32,0	24,8	74	7,20	1,36	PHS 08B-1DSA22	
23	98,20	93,27	A	15	52,00	32,0	24,8	78	7,20	1,59	PHS 08B-1DSA23	
24	101,80	97,29	A	15	54,00	32,0	24,8	82	7,20	1,70	PHS 08B-1DSA24	
25	105,80	101,33	A	15	57,00	32,0	24,8	86	7,20	1,82	PHS 08B-1DSA25	
15,88	12	68,00	61,34	A	15	30,00	42,0	27,9	45	9,10	0,59	PHS 10B-1DSA12
	13	73,00	66,32	A	15	34,00	42,0	27,9	48	9,10	0,70	PHS 10B-1DSA13
	14	78,00	71,34	A	15	36,00	42,0	27,9	55	9,10	0,83	PHS 10B-1DSA14
	15	83,00	76,36	A	15	40,00	42,0	27,9	58	9,10	0,95	PHS 10B-1DSA15
	16	88,00	81,37	A	15	42,00	42,0	27,9	64	9,10	1,09	PHS 10B-1DSA16
	17	93,00	86,39	A	15	44,00	42,0	27,9	68	9,10	1,32	PHS 10B-1DSA17
	18	98,00	91,42	A	15	47,00	42,0	27,9	73	9,10	1,50	PHS 10B-1DSA18
	19	103,30	96,45	A	19	52,00	42,0	27,9	79	9,10	1,68	PHS 10B-1DSA19
	20	108,40	101,49	A	19	57,00	42,0	27,9	83	9,10	1,91	PHS 10B-1DSA20
	21	113,40	106,52	A	19	57,00	42,0	27,9	89	9,10	2,18	PHS 10B-1DSA21
22	118,00	111,55	A	19	61,00	42,0	27,9	93	9,10	2,41	PHS 10B-1DSA22	
23	123,40	116,58	A	19	65,00	42,0	27,9	99	9,10	2,64	PHS 10B-1DSA23	
24	128,30	121,62	A	19	69,00	42,0	27,9	103	9,10	2,86	PHS 10B-1DSA24	
25	134,00	126,66	A	19	72,00	42,0	27,9	109	9,10	3,16	PHS 10B-1DSA25	
19,05	12	81,50	73,61	A	20	35,00	45,0	33,9	53	11,10	1,08	PHS 12B-1DSA12
	13	87,50	79,59	A	20	38,00	45,0	33,9	59	11,10	1,29	PHS 12B-1DSA13
	14	93,60	85,62	A	20	42,00	45,0	33,9	65	11,10	1,52	PHS 12B-1DSA14
	15	99,80	91,61	A	20	38,00	45,0	33,9	71	11,10	1,73	PHS 12B-1DSA15
	16	105,50	97,63	A	20	46,00	45,0	33,9	77	11,10	2,09	PHS 12B-1DSA16
	17	111,50	103,67	A	20	55,00	45,0	33,9	71	11,10	2,41	PHS 12B-1DSA17
	18	118,00	109,71	A	20	58,00	45,0	33,9	88	11,10	2,95	PHS 12B-1DSA18
	19	124,20	115,75	A	20	62,00	45,0	33,9	71	11,10	3,09	PHS 12B-1DSA19
	20	129,70	121,78	A	24	65,00	45,0	33,9	100	11,10	3,30	PHS 12B-1DSA20
	21	136,00	127,82	A	24	70,00	45,0	33,9	71	11,10	3,62	PHS 12B-1DSA21
22	141,80	133,86	A	24	73,00	45,0	33,9	112	11,10	4,00	PHS 12B-1DSA22	
23	149,00	139,90	A	24	77,00	45,0	33,9	71	11,10	4,60	PHS 12B-1DSA23	
24	153,90	145,94	A	24	81,00	45,0	33,9	124	11,10	4,95	PHS 12B-1DSA24	

All Type B or C sprockets, up to and including 25 tooth, are with hardened teeth as standard. For any additional size sprockets with hardened teeth, add "H" before the number of teeth, e.g. PHS 06B-1DSA14H.

Metric sprockets, double simplex, pilot bore

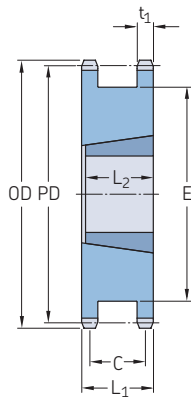
ISO 12B-1 · 19,05 mm pitch | ISO 16B-1 · 25,40 mm pitch | ISO 20B-1 · 31,75 mm pitch

Pitch	Number of teeth	Diameters		Pitch	Type	Dimensions Bore			Plate thickness t_1	Mass	Designation	
		Outside	PD			Min.	Max.	L				C
mm	–	mm	mm	–	mm	mm	mm	mm	mm	kg	–	
19,05	25	160,30	151,94	A	24	85,00	45,0	33,9	71	11,10	5,30	PHS 12B-1DSA25
25,40	12	109,00	98,14	A	24	46,00	64,0	47,8	72	16,20	2,48	PHS 16B-1DSA12
	13	117,00	106,12	A	24	50,00	64,0	47,8	78	16,20	3,09	PHS 16B-1DSA13
	14	125,00	114,15	A	24	57,00	64,0	47,8	84	16,20	3,70	PHS 16B-1DSA14
	15	133,00	122,17	A	24	60,00	64,0	47,8	95	16,20	4,35	PHS 16B-1DSA15
	16	141,00	130,20	A	24	68,00	64,0	47,8	101	16,20	5,00	PHS 16B-1DSA16
	17	149,00	138,22	A	24	71,00	64,0	47,8	111	16,20	5,75	PHS 16B-1DSA17
	18	157,00	146,28	A	24	79,00	64,0	47,8	117	16,20	6,50	PHS 16B-1DSA18
	19	165,20	154,33	A	24	82,00	64,0	47,8	127	16,20	7,40	PHS 16B-1DSA19
	20	173,20	162,38	A	24	88,00	64,0	47,8	134	16,20	8,30	PHS 16B-1DSA20
	21	181,20	170,43	A	24	95,00	64,0	47,8	143	16,20	9,20	PHS 16B-1DSA21
	22	189,30	178,48	A	24	100,00	64,0	47,8	151	16,20	10,15	PHS 16B-1DSA22
	23	197,50	186,59	A	24	107,00	64,0	47,8	160	16,20	11,20	PHS 16B-1DSA23
	24	205,50	194,59	A	24	111,00	64,0	47,8	168	16,20	12,80	PHS 16B-1DSA24
25	213,50	178,49	A	24	115,00	64,0	47,8	176	16,20	14,40	PHS 16B-1DSA25	
31,75	13	147,83	132,66	A	25	63,50	68,3	49,8	96	18,50	5,09	PHS 20B-1DSA13
	14	158,24	142,67	A	25	69,85	68,3	49,8	106	18,50	6,14	PHS 20B-1DSA14
	15	168,40	152,70	A	32	77,79	68,3	49,8	116	18,50	7,64	PHS 20B-1DSA15
	16	178,56	162,74	A	32	82,55	68,3	49,8	114	18,50	8,77	PHS 20B-1DSA16
	17	188,98	172,80	A	32	92,08	68,3	49,8	124	18,50	9,77	PHS 20B-1DSA17
	18	199,14	182,83	A	32	95,25	68,3	49,8	134	18,50	10,45	PHS 20B-1DSA18
	19	209,30	192,91	A	32	106,36	68,3	49,8	157	18,50	11,36	PHS 20B-1DSA19
	20	219,46	202,97	A	32	106,36	68,3	49,8	167	18,50	12,05	PHS 20B-1DSA20
	21	229,62	213,03	A	32	133,35	68,3	49,8	177	18,50	13,18	PHS 20B-1DSA21

All Type B or C sprockets, up to and including 25 tooth, are with hardened teeth as standard.
For any additional size sprockets with hardened teeth, add "H" before the number of teeth, e.g. PHS 06B-1DSA14.

Metric sprockets, double simplex, taper bushed

ISO 06B-1 · 9,525 mm pitch | ISO 08B-1 · 12,70 mm pitch | ISO 10B-1 · 15,88 mm pitch | ISO 12B-1 · 19,05 mm pitch | ISO 16B-1 · 25,40 mm pitch



Type A

Pitch	Number of teeth	Diameters		Type	Bushing number	Dimensions Bore		L ₁	C	E	L ₂	Plate thickness t ₁	Mass ¹⁾	Designation	
		Outside OD	Pitch PD			Min.	Max.								
mm	-	mm	mm	-	-	mm	mm	mm	mm	mm	mm	mm	kg	-	
9,525	18	58,30	54,85	A	1008	9	25	23,5	18,17	43	22,2	5,31	0,19	PHS 06B-1DSTBH18	
	19	61,30	57,87	A	1008	9	25	23,5	18,17	46	22,2	5,31	0,23	PHS 06B-1DSTBH19	
	20	64,30	60,89	A	1108	9	28	23,5	18,17	48	22,2	5,31	0,25	PHS 06B-1DSTBH20	
	21	68,00	63,91	A	1108	9	28	23,5	18,17	52	22,2	5,31	0,31	PHS 06B-1DSTBH21	
	22	71,00	66,93	A	1108	9	28	23,5	18,17	55	22,2	5,31	0,36	PHS 06B-1DSTBH22	
	23	73,50	69,95	A	1108	9	28	23,5	18,17	58	22,2	5,31	0,41	PHS 06B-1DSTBH23	
	24	77,00	72,97	A	1108	9	28	23,5	18,17	61	22,2	5,31	0,47	PHS 06B-1DSTBH24	
	25	80,00	76,02	A	1108	9	28	23,5	18,17	64	22,2	5,31	0,53	PHS 06B-1DSTBH25	
	12,70	14	61,80	57,07	A	1008	9	25	35,7	28,58	41	22,2	7,20	0,32	PHS 08B-1DSTBH14
		15	65,30	61,09	A	1008	9	25	35,7	28,58	45	22,2	7,20	0,40	PHS 08B-1DSTBH15
16		69,50	65,10	A	1108	9	28	35,7	28,58	49	22,2	7,20	0,44	PHS 08B-1DSTBH16	
17		73,60	69,11	A	1215	11	32	35,7	28,58	53	38,1	7,20	0,43	PHS 08B-1DSTBH17	
18		77,80	73,14	A	1215	11	32	35,7	28,58	58	38,1	7,20	0,46	PHS 08B-1DSTBH18	
19		81,70	77,15	A	1215	11	32	35,7	28,58	63	38,1	7,20	0,50	PHS 08B-1DSTBH19	
20		85,80	81,18	A	1215	11	32	35,7	28,58	66	38,1	7,20	0,59	PHS 08B-1DSTBH20	
21		89,70	85,22	A	1615	14	42	35,7	28,58	70	38,1	7,20	0,59	PHS 08B-1DSTBH21	
22		93,80	89,24	A	1615	14	42	35,7	28,58	74	38,1	7,20	0,64	PHS 08B-1DSTBH22	
23		98,20	93,27	A	1615	14	42	35,7	28,58	78	38,1	7,20	0,68	PHS 08B-1DSTBH23	
24	101,80	97,29	A	1615	14	42	35,7	28,58	82	38,1	7,20	0,77	PHS 08B-1DSTBH24		
25	105,80	101,33	A	2012	14	50	35,7	28,58	86	31,8	7,20	0,86	PHS 08B-1DSTBH25		
15,88	12	68,00	61,34	A	1108	9	28	42,0	33,34	15,88	9,0	9,10	28,00	PHS 10B-1DSTBH12	
	13	73,00	66,32	A	1108	9	28	42,0	33,34	15,88	9,0	9,10	28,00	PHS 10B-1DSTBH13	
	14	78,00	71,34	A	1108	9	28	42,0	33,34	15,88	9,0	9,10	28,00	PHS 10B-1DSTBH14	
	15	83,00	76,36	A	1215	11	32	42,0	33,34	15,88	11,0	9,10	32,00	PHS 10B-1DSTBH15	
	16	88,00	81,37	A	1215	11	32	42,0	33,34	15,88	11,0	9,10	32,00	PHS 10B-1DSTBH16	
	17	93,00	86,39	A	1615	14	42	42,0	33,34	15,88	14,0	9,10	42,00	PHS 10B-1DSTBH17	
	18	98,30	91,42	A	1615	14	42	42,0	33,34	15,88	14,0	9,10	42,00	PHS 10B-1DSTBH18	
	19	103,30	96,42	A	1615	14	42	42,0	33,34	15,88	14,0	9,10	42,00	PHS 10B-1DSTBH19	
	20	108,40	101,49	A	1615	14	42	42,0	33,34	15,88	14,0	9,10	42,00	PHS 10B-1DSTBH20	
	21	113,40	106,52	A	2012	14	50	42,0	33,34	15,88	14,0	9,10	50,00	PHS 10B-1DSTBH21	
22	118,00	111,55	A	2012	14	50	42,0	33,34	15,88	14,0	9,10	50,00	PHS 10B-1DSTBH22		
23	123,40	116,58	A	2012	14	50	42,0	33,34	15,88	14,0	9,10	50,00	PHS 10B-1DSTBH23		
24	128,30	121,62	A	2012	14	50	42,0	33,34	15,88	14,0	9,10	50,00	PHS 10B-1DSTBH24		
25	134,00	126,66	A	2012	14	50	42,0	33,34	15,88	14,0	9,10	50,00	PHS 10B-1DSTBH25		
19,05	12	81,50	73,61	A	1215	11	32	49,2	38,10	19,05	11,0	11,10	32,00	PHS 12B-1DSTBH12	
	13	87,50	79,59	A	1215	11	32	49,2	38,10	19,05	11,0	11,10	32,00	PHS 12B-1DSTBH13	
	14	93,60	85,62	A	1215	11	32	49,2	38,10	19,05	11,0	11,10	32,00	PHS 12B-1DSTBH14	
	15	99,80	91,61	A	1615	14	42	49,2	38,10	19,05	14,0	11,10	42,00	PHS 12B-1DSTBH15	
	16	105,50	97,63	A	1615	14	42	49,2	38,10	19,05	14,0	11,10	42,00	PHS 12B-1DSTBH16	
	17	111,50	103,67	A	1615	14	42	49,2	38,10	19,05	14,0	11,10	42,00	PHS 12B-1DSTBH17	
	18	118,00	109,71	A	2012	14	50	49,2	38,10	19,05	14,0	11,10	50,00	PHS 12B-1DSTBH18	
	19	124,20	115,75	A	2012	14	50	49,2	38,10	19,05	14,0	11,10	50,00	PHS 12B-1DSTBH19	
	20	129,70	121,78	A	2517	16	65	49,2	38,10	19,05	16,0	11,10	65,00	PHS 12B-1DSTBH20	
	21	136,00	127,82	A	2517	16	65	49,2	38,10	19,05	16,0	11,10	65,00	PHS 12B-1DSTBH21	
22	141,80	133,86	A	2517	16	65	49,2	38,10	19,05	16,0	11,10	65,00	PHS 12B-1DSTBH22		
23	149,00	139,90	A	2517	16	65	49,2	38,10	19,05	16,0	11,10	65,00	PHS 12B-1DSTBH23		
24	153,90	145,94	A	2517	16	65	49,2	38,10	19,05	16,0	11,10	65,00	PHS 12B-1DSTBH24		
25	160,30	151,94	A	2517	16	65	49,2	38,10	19,05	16,0	11,10	65,00	PHS 12B-1DSTBH25		
25,40	12	109,00	98,14	A	1615	14	42	63,5	46,50	72	38,1	16,20	1,92	PHS 16B-1DSTBH12	
	13	117,00	106,12	A	1615	14	42	63,5	46,50	80	38,1	16,20	2,53	PHS 16B-1DSTBH13	
	14	125,00	114,15	A	2012	14	50	63,5	46,50	88	31,8	16,20	2,53	PHS 16B-1DSTBH14	
	15	133,00	122,17	A	2012	14	50	63,5	46,50	96	31,8	16,20	3,10	PHS 16B-1DSTBH15	
	16	141,00	130,20	A	2012	14	50	63,5	46,50	104	31,8	16,20	3,68	PHS 16B-1DSTBH16	

¹⁾ Mass for rim only

All Type B or C sprockets, up to and including 25 tooth, are with hardened teeth as standard.
For any additional size sprockets with hardened teeth, add "H" before the number of teeth, e.g. PHS 06B-1DSTBH18.

Metric sprockets, double simplex, taper bushed

ISO 16B-1 · 25,40 mm pitch | ISO 20B-1 · 31,75 mm pitch

Pitch	Number of teeth	Diameters		Type	Bushing number	Dimensions Bore		L ₁	C	E	L ₂	Plate thickness t ₁	Mass ¹⁾	Designation
		Outside OD	Pitch PD			Min.	Max.							
mm	–	mm	–	–	–	mm	–	–	–	–	–	–	kg	–
25,40	17	149,00	138,22	A	2517	16	65	63,5	46,50	112	44,5	16,20	3,89	PHS 16B-1DSTBH17
	18	157,00	146,28	A	2517	16	65	63,5	46,50	120	44,5	16,20	4,65	PHS 16B-1DSTBH18
	19	165,20	154,33	A	3020	25	75	63,5	46,50	128	50,8	16,20	4,50	PHS 16B-1DSTBH19
	20	173,20	162,38	A	3020	25	75	63,5	46,50	135	50,8	16,20	5,10	PHS 16B-1DSTBH20
	21	181,20	170,43	A	3020	25	75	63,5	46,50	142	50,8	16,20	6,00	PHS 16B-1DSTBH21
	22	189,30	178,48	A	3020	25	75	63,5	46,50	151	50,8	16,20	6,20	PHS 16B-1DSTBH22
	23	197,50	186,59	A	3525	35	90	63,5	46,50	160	63,5	16,20	7,15	PHS 16B-1DSTBH23
	24	205,50	194,59	A	3525	35	90	63,5	46,50	167	63,5	16,20	8,10	PHS 16B-1DSTBH24
	25	213,50	178,49	A	3525	35	90	63,5	46,50	175	63,5	16,20	9,00	PHS 16B-1DSTBH25
	31,75	15	167,90	152,72	A	2517	16	60	68,3	49,80	115	44,5	18,50	4,20
16		177,90	162,75	A	2517	16	60	68,3	49,80	127	44,5	18,50	5,91	PHS 20B-1DSTBH16
17		172,80	172,78	A	3020	25	75	68,3	49,80	137	50,8	18,50	6,36	PHS 20B-1DSTBH17
18		182,83	182,85	A	3020	25	75	68,3	49,80	147	50,8	18,50	7,27	PHS 20B-1DSTBH18
19		192,91	192,91	A	3020	25	75	68,3	49,80	157	50,8	18,50	9,09	PHS 20B-1DSTBH19
20		218,10	202,98	A	3020	25	75	68,3	49,80	167	50,8	18,50	10,85	PHS 20B-1DSTBH20
21		228,28	213,03	A	3020	25	75	68,3	49,80	177	50,8	18,50	12,50	PHS 20B-1DSTBH21

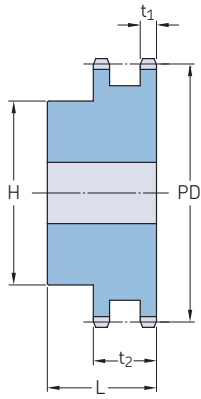
¹⁾ Mass for rim only

All Type B or C sprockets, up to and including 25 tooth, are with hardened teeth as standard.

For any additional size sprockets with hardened teeth, add "H" before the number of teeth, e.g. PHS 06B-1DSTBH18.

Metric sprockets, duplex, standard

ISO 06B-2 · 9,525 mm pitch | ISO 08B-2 · 12,70 mm pitch



Type B

Pitch	Number of teeth	Pitch diameter PD	Type	Dimensions Bore		Hub		Plate thickness		Mass	Designation
				Min.	Max.	H	L	t ₁	t ₂		
mm	-	mm	-	mm						kg	-
9,525	12	36,80	B	10	12	25	25	5,20	15,44	0,11	PHS 06B-2BH12
	13	39,79	B	10	12	28	25	5,20	15,44	0,14	PHS 06B-2BH13
	14	42,80	B	10	18	31	25	5,20	15,44	0,17	PHS 06B-2BH14
	15	45,81	B	10	18	34	25	5,20	15,44	0,20	PHS 06B-2BH15
	16	48,82	B	12	20	37	30	5,20	15,44	0,26	PHS 06B-2BH16
	17	51,83	B	12	23	40	30	5,20	15,44	0,32	PHS 06B-2BH17
	18	54,85	B	12	25	43	30	5,20	15,44	0,37	PHS 06B-2BH18
	19	57,87	B	12	28	46	30	5,20	15,44	0,42	PHS 06B-2BH19
	20	60,89	B	12	25	49	30	5,20	15,44	0,48	PHS 06B-2BH20
	21	63,91	B	12	30	52	30	5,20	15,44	0,54	PHS 06B-2BH21
	22	66,93	B	12	28	55	30	5,20	15,44	0,61	PHS 06B-2BH22
	23	69,95	B	12	35	58	30	5,20	15,44	0,67	PHS 06B-2BH23
	24	72,97	B	12	32	61	30	5,20	15,44	0,74	PHS 06B-2BH24
	25	76,00	B	12	40	64	30	5,20	15,44	0,81	PHS 06B-2BH25
	26	79,02	B	12	32	67	30	5,20	15,44	0,92	PHS 06B-2BH26
	27	82,05	B	12	40	70	30	5,20	15,44	0,97	PHS 06B-2BH27
	28	85,07	B	12	32	73	30	5,20	15,44	1,08	PHS 06B-2BH28
	29	88,09	B	12	32	76	30	5,20	15,44	1,15	PHS 06B-2BH29
	30	91,12	B	12	40	79	30	5,20	15,44	1,23	PHS 06B-2BH30
	32	97,17	B	16	52	80	30	5,20	15,44	1,38	PHS 06B-2BH32
	35	106,26	B	16	52	80	30	5,20	15,44	1,61	PHS 06B-2BH35
	36	109,29	B	16	60	90	30	5,20	15,44	1,69	PHS 06B-2BH36
	38	115,35	B	16	50	90	30	5,20	15,44	1,84	PHS 06B-2BH38
	40	121,40	B	16	52	90	30	5,20	15,44	2,00	PHS 06B-2BH40
	42	127,46	B	16	60	90	40	5,20	15,44	2,15	PHS 06B-2BH42
	45	136,55	B	16	50	90	40	5,20	15,44	2,01	PHS 06B-2BH45
	48	145,64	B	16	60	90	40	5,20	15,44	2,61	PHS 06B-2BH48
	52	157,75	B	16	60	90	40	5,20	15,44	2,92	PHS 06B-2BH52
	57	172,91	B	16	50	90	40	5,20	15,44	2,34	PHS 06B-2BH57
	60	182,00	B	16	60	90	40	5,20	15,44	3,53	PHS 06B-2BH60
	68	206,24	B	16	60	90	40	5,20	15,44	4,14	PHS 06B-2BH68
	70	212,30	B	16	60	90	40	5,20	15,44	4,30	PHS 06B-2BH70
72	218,37	B	16	60	90	40	5,20	15,44	4,45	PHS 06B-2BH72	
76	230,49	B	16	50	90	40	5,20	15,44	3,35	PHS 06B-2BH76	
84	254,74	B	16	60	90	40	5,20	15,44	5,37	PHS 06B-2BH84	
95	288,08	B	16	62	90	40	5,20	15,44	6,21	PHS 06B-2BH95	
96	291,11	B	16	62	90	40	5,20	15,44	6,29	PHS 06B-2BH96	
114	345,68	B	16	62	90	40	5,20	15,44	7,67	PHS 06B-2BH114	
12,70	10	41,10	B	10	18	28	32	7,24	21,13	0,15	PHS 08B-2BH10
	11	45,07	B	12	21	32	35	7,24	21,13	0,22	PHS 08B-2BH11
	12	49,07	B	12	19	35	35	7,24	21,13	0,29	PHS 08B-2BH12
	13	53,06	B	12	21	38	35	7,24	21,13	0,36	PHS 08B-2BH13
	14	57,07	B	12	28	42	35	7,24	21,13	0,44	PHS 08B-2BH14
	15	61,09	B	12	28	46	35	7,24	21,13	0,52	PHS 08B-2BH15
	16	65,10	B	14	33	50	35	7,24	21,13	0,61	PHS 08B-2BH16
	17	69,11	B	14	30	54	35	7,24	21,13	0,70	PHS 08B-2BH17
	18	73,14	B	14	38	58	35	7,24	21,13	0,81	PHS 08B-2BH18
	19	77,16	B	14	40	62	35	7,24	21,13	0,91	PHS 08B-2BH19
	20	81,19	B	14	40	66	35	7,24	21,13	1,10	PHS 08B-2BH20
	21	85,22	B	16	40	70	40	7,24	21,13	1,29	PHS 08B-2BH21
	22	89,24	B	16	45	70	40	7,24	21,13	1,37	PHS 08B-2BH22
	23	93,27	B	16	50	70	40	7,24	21,13	1,46	PHS 08B-2BH23
	24	97,29	B	16	50	75	40	7,24	21,13	1,64	PHS 08B-2BH24

Maximum bores can accommodate standard keyways. Larger bores are available.
 All Type B or C sprockets, up to and including 25 tooth, are with hardened teeth as standard.
 For any additional size sprockets with hardened teeth, add "H" before the number of teeth, e.g. PHS 06B-2BH12.

Metric sprockets, duplex, standard

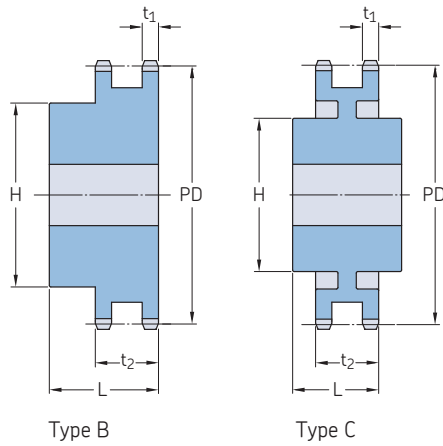
ISO 08B-2 · 12,70 mm pitch | ISO 10B-2 · 15,88 mm pitch | ISO 12B-2 · 19,05 mm pitch

Pitch	Number of teeth	Pitch diameter PD	Type	Dimensions		Hub		Plate thickness		Mass	Designation	
				Bore		H	L	t ₁	t ₂			
				Min.	Max.							
mm	-	mm	-	mm					kg	-		
12,70	25	101,33	B	16	50	80	40	7,24	21,13	1,83	PHS 08B-2BH25	
	26	105,36	B	16	56	85	40	7,24	21,13	1,96	PHS 08B-2B26	
	27	109,40	B	16	50	85	40	7,24	21,13	2,09	PHS 08B-2B27	
	28	113,42	B	16	60	90	40	7,24	21,13	2,31	PHS 08B-2B28	
	29	117,46	B	16	62	95	40	7,24	21,13	2,53	PHS 08B-2B29	
	30	121,50	B	16	50	100	40	7,24	21,13	2,75	PHS 08B-2B30	
	32	129,56	B	20	64	100	40	7,24	21,13	3,08	PHS 08B-2B32	
	34	137,64	B	20	64	100	40	7,24	21,13	3,24	PHS 08B-2B34	
	35	141,68	B	20	64	100	40	7,24	21,13	3,41	PHS 08B-2B35	
	36	145,72	B	20	73	100	40	7,24	21,13	3,74	PHS 08B-2B36	
	38	153,80	B	20	55	100	40	7,24	21,13	4,08	PHS 08B-2B38	
	40	161,87	B	20	73	100	50	7,24	21,13	4,00	PHS 08B-2B40	
	42	169,95	B	20	73	108	50	7,24	21,13	3,90	PHS 08B-2B42	
	45	182,07	B	20	55	108	50	7,24	21,13	3,70	PHS 08B-2B45	
	48	194,18	B	20	73	108	50	7,24	21,13	4,10	PHS 08B-2B48	
	54	218,43	B	20	73	108	50	7,24	21,13	4,70	PHS 08B-2B54	
	57	230,54	B	20	55	108	50	7,24	21,13	5,01	PHS 08B-2B57	
	60	242,66	B	20	73	108	50	7,24	21,13	5,34	PHS 08B-2B60	
	68	274,99	B	20	73	108	55	7,24	21,13	5,68	PHS 08B-2B68	
	72	291,16	B	20	73	108	55	7,24	21,13	6,02	PHS 08B-2B72	
	76	307,33	B	20	60	108	55	7,24	21,13	6,36	PHS 08B-2B76	
	84	339,65	B	20	80	120	55	7,24	21,13	8,31	PHS 08B-2B84	
	95	384,10	B	20	60	110	55	7,24	21,13	10,26	PHS 08B-2B95	
	96	388,15	B	20	80	110	55	7,24	21,13	11,00	PHS 08B-2B96	
	114	460,90	B	20	80	110	55	7,24	21,13	12,45	PHS 08B-2B114	
	15,88	11	56,34	B	14	24	39	40	8,97	25,55	0,45	PHS 10B-2BH11
		12	61,34	B	14	25	44	40	8,97	25,55	0,57	PHS 10B-2BH12
		13	66,32	B	14	29	49	40	8,97	25,55	0,70	PHS 10B-2BH13
		14	71,34	B	14	35	54	40	8,97	25,55	0,84	PHS 10B-2BH14
		15	76,36	B	14	35	59	40	8,97	25,55	0,99	PHS 10B-2BH15
		16	81,37	B	16	40	64	45	8,97	25,55	1,23	PHS 10B-2BH16
		17	86,39	B	16	40	69	45	8,97	25,55	1,47	PHS 10B-2BH17
		18	91,42	B	16	48	74	45	8,97	25,55	1,68	PHS 10B-2BH18
		19	96,45	B	16	46	79	45	8,97	25,55	1,90	PHS 10B-2BH19
		20	101,49	B	16	56	84	45	8,97	25,55	2,10	PHS 10B-2BH20
		21	106,52	B	16	55	85	45	8,97	25,55	2,31	PHS 10B-2BH21
22		111,55	B	16	60	90	45	8,97	25,55	2,58	PHS 10B-2BH22	
23		116,58	B	16	55	95	45	8,97	25,55	2,85	PHS 10B-2BH23	
24		121,62	B	16	64	100	45	8,97	25,55	3,14	PHS 10B-2BH24	
25		126,66	B	16	55	105	45	8,97	25,55	3,44	PHS 10B-2BH25	
26		131,70	B	20	73	110	45	8,97	25,55	3,69	PHS 10B-2B26	
27		136,75	B	20	55	110	45	8,97	25,55	3,95	PHS 10B-2B27	
28		141,78	B	20	76	115	45	8,97	25,55	4,25	PHS 10B-2B28	
29		146,83	B	20	76	115	45	8,97	25,55	4,55	PHS 10B-2B29	
30		151,87	B	20	58	120	45	8,97	25,55	4,87	PHS 10B-2B30	
32		161,95	B	20	80	120	45	8,97	25,55	4,95	PHS 10B-2B32	
35		177,10	B	20	80	120	45	8,97	25,55	5,08	PHS 10B-2B35	
36		182,15	B	20	80	120	45	8,97	25,55	5,11	PHS 10B-2B36	
38		192,24	B	20	58	120	45	8,97	25,55	5,20	PHS 10B-2B38	
40		202,34	B	20	80	120	45	8,97	25,55	5,41	PHS 10B-2B40	
45		227,58	B	20	60	120	50	8,97	25,55	5,94	PHS 10B-2B45	
48		242,73	B	20	80	120	50	8,97	25,55	7,27	PHS 10B-2B48	
57		288,18	B	20	60	120	50	8,97	25,55	8,61	PHS 10B-2B57	
60		303,32	B	20	85	120	57	8,97	25,55	9,30	PHS 10B-2B60	
70		353,84	B	20	85	120	57	8,97	25,55	9,99	PHS 10B-2B70	
76		384,16	B	20	85	120	57	8,97	25,55	10,68	PHS 10B-2B76	
80		404,35	B	20	85	130	58	8,97	25,55	11,00	PHS 10B-2B80	
95		480,14	B	20	85	130	58	8,97	25,55	12,00	PHS 10B-2B95	
114		576,13	B	20	85	130	58	8,97	25,55	13,00	PHS 10B-2B114	
19,05		10	61,65	B	12	32	42	45	10,87	30,33	0,57	PHS 12B-2BH10
		11	67,61	B	16	32	47	50	10,87	30,33	0,80	PHS 12B-2BH11
	12	73,61	B	16	32	53	50	10,87	30,33	1,03	PHS 12B-2BH12	
	13	79,59	B	16	36	59	50	10,87	30,33	1,26	PHS 12B-2BH13	
	14	85,61	B	16	42	65	50	10,87	30,33	1,52	PHS 12B-2BH14	
	15	91,63	B	16	44	71	50	10,87	30,33	1,78	PHS 12B-2BH15	
	16	97,65	B	20	51	77	50	10,87	30,33	2,08	PHS 12B-2BH16	
	17	103,67	B	20	55	83	50	10,87	30,33	2,37	PHS 12B-2BH17	
	18	109,71	B	20	60	89	50	10,87	30,33	2,72	PHS 12B-2BH18	
	19	115,75	B	20	55	95	50	10,87	30,33	3,07	PHS 12B-2BH19	
	20	121,78	B	20	64	100	50	10,87	30,33	3,39	PHS 12B-2BH20	
	21	127,82	B	20	60	100	50	10,87	30,33	3,70	PHS 12B-2BH21	
	22	133,86	B	20	64	100	50	10,87	30,33	4,11	PHS 12B-2BH22	
	23	139,90	B	20	60	110	50	10,87	30,33	4,52	PHS 12B-2BH23	
	24	145,94	B	20	73	110	50	10,87	30,33	4,96	PHS 12B-2BH24	

Maximum bores can accommodate standard keyways. Larger bores are available.
 All Type B or C sprockets, up to and including 25 tooth, are with hardened teeth as standard.
 For any additional size sprockets with hardened teeth, add "H" before the number of teeth, e.g. PHS 06B-2BH12.

Metric sprockets, duplex, standard

ISO 12B-2 · 19,05 mm pitch | ISO 16B-2 · 25,40 mm pitch



Pitch	Number of teeth	Pitch diameter PD	Type	Dimensions Bore		Hub		Plate thickness		Mass	Designation
				Min.	Max.	H	L	t ₁	t ₂		
mm	-	mm	-	mm						kg	-
19,05	25	152,00	B	20	60	120	50	10,87	30,33	5,39	PHS 12B-2BH25
	26	158,04	B	20	80	120	50	10,87	30,33	5,74	PHS 12B-2B26
	27	164,09	B	20	60	120	50	10,87	30,33	6,09	PHS 12B-2B27
	28	170,13	B	20	80	120	50	10,87	30,33	6,45	PHS 12B-2B28
	30	182,25	B	20	60	120	50	10,87	30,33	7,17	PHS 12B-2B30
	32	194,36	B	20	85	120	50	10,87	30,33	8,41	PHS 12B-2B32
	35	212,52	B	20	85	120	50	10,87	30,33	9,70	PHS 12B-2B35
	36	218,58	B	25	85	120	50	10,87	30,33	10,12	PHS 12B-2B36
	38	230,69	B	25	65	120	50	10,87	30,33	10,98	PHS 12B-2B38
	40	242,81	B	25	85	120	50	10,87	30,33	11,84	PHS 12B-2B40
	45	273,10	B	25	65	136	62	10,87	30,33	10,58	PHS 12B-2B45
	48	291,27	B	25	85	136	62	10,87	30,33	15,26	PHS 12B-2B48
	57	345,81	B	25	70	136	62	10,87	30,33	11,72	PHS 12B-2B57
	60	363,99	B	25	85	136	62	10,87	30,33	20,40	PHS 12B-2B60
	68	412,49	C	25	85	140	63	10,87	30,33	23,83	PHS 12B-2C68
	76	460,99	C	25	80	140	63	10,87	30,33	18,50	PHS 12B-2C76
	80	485,22	C	25	85	140	63	10,87	30,33	28,97	PHS 12B-2C80
	95	576,17	C	25	93	140	63	10,87	30,33	35,39	PHS 12B-2C95
	96	582,23	C	25	93	140	63	10,87	30,33	35,82	PHS 12B-2C96
	114	691,36	C	25	93	140	63	10,87	30,33	43,53	PHS 12B-2C114
25,40	11	90,14	B	20	42	64	70	15,83	47,71	1,86	PHS 16B-2BH11
	12	98,14	B	20	45	72	70	15,83	47,71	2,54	PHS 16B-2BH12
	13	106,12	B	20	48	80	70	15,83	47,71	3,22	PHS 16B-2BH13
	14	114,15	B	20	53	88	70	15,83	47,71	3,90	PHS 16B-2BH14
	15	122,17	B	20	58	96	70	15,83	47,71	4,58	PHS 16B-2BH15
	16	130,20	B	20	66	104	70	15,83	47,71	5,35	PHS 16B-2BH16
	17	138,22	B	20	70	112	70	15,83	47,71	6,12	PHS 16B-2BH17
	18	146,28	B	20	80	120	70	15,83	47,71	7,02	PHS 16B-2BH18
	19	154,33	B	20	70	128	70	15,83	47,71	7,91	PHS 16B-2BH19
	20	162,38	B	20	85	130	70	15,83	47,71	8,59	PHS 16B-2BH20
	21	170,43	B	25	75	130	70	15,83	47,71	9,26	PHS 16B-2BH21
	22	178,48	B	25	85	130	70	15,83	47,71	10,05	PHS 16B-2BH22
	23	186,53	B	25	75	130	70	15,83	47,71	10,84	PHS 16B-2BH23
	24	194,59	B	25	85	130	70	15,83	47,71	11,70	PHS 16B-2BH24
	25	202,66	B	25	75	130	70	15,83	47,71	12,56	PHS 16B-2BH25
	26	210,72	B	25	85	130	70	15,83	47,71	13,52	PHS 16B-2B26
	27	218,79	B	25	75	130	70	15,83	47,71	14,48	PHS 16B-2B27
	28	226,85	B	25	85	130	70	15,83	47,71	15,49	PHS 16B-2B28
	29	234,92	B	25	85	130	70	15,83	47,71	16,51	PHS 16B-2B29
	30	243,00	B	25	75	130	70	15,83	47,71	17,52	PHS 16B-2B30
	32	259,13	B	25	95	140	70	15,83	47,71	20,13	PHS 16B-2B32
	35	283,36	B	25	95	140	70	15,83	47,71	24,04	PHS 16B-2B35
	36	291,44	B	25	95	140	70	15,83	47,71	25,34	PHS 16B-2B36
	38	307,59	B	25	75	140	70	15,83	47,71	27,95	PHS 16B-2B38
	42	339,90	B	25	95	140	70	15,83	47,71	32,35	PHS 16B-2B42
	45	364,13	C	25	85	140	70	15,83	47,71	22,00	PHS 16B-2C45
	57	461,07	C	25	85	150	85	15,83	47,71	34,50	PHS 16B-2C57
	60	485,32	C	25	95	150	85	15,83	47,71	52,14	PHS 16B-2C60
	68	549,98	C	25	96	160	90	15,83	47,71	60,93	PHS 16B-2C68
	76	614,65	C	25	100	160	90	15,83	47,71	51,50	PHS 16B-2C76
	80	646,96	C	25	102	160	90	15,83	47,71	74,13	PHS 16B-2C80
	95	768,22	C	25	100	160	90	15,83	47,71	90,62	PHS 16B-2C95
	114	921,81	C	25	102	160	90	15,83	47,71	111,51	PHS 16B-2C114

Maximum bores can accommodate standard keyways. Larger bores are available.
 All Type B or C sprockets, up to and including 25 tooth, are with hardened teeth as standard.
 For any additional size sprockets with hardened teeth, add "H" before the number of teeth, e.g. PHS 06B-2BH12.

Metric sprockets, duplex, standard

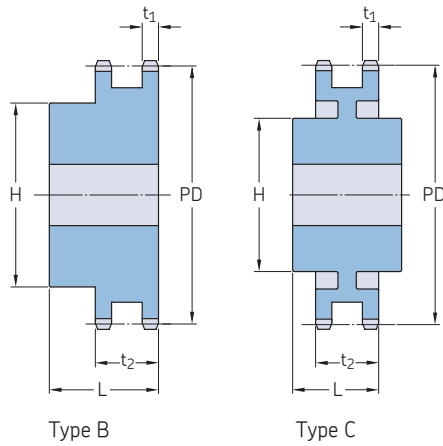
ISO 20B-2 · 31,75 mm pitch | ISO 24B-2 · 38,10 mm pitch | ISO 28B-2 · 44,45 mm pitch

Pitch	Number of teeth	Pitch diameter PD	Type	Dimensions		Hub		Plate thickness		Mass	Designation	
				Bore		H	L	t ₁	t ₂			
				Min.	Max.							
mm	-	mm	-	mm					kg	-		
31,75	10	102,75	B	20	45	70	75	18,19	54,64	2,90	PHS 20B-2BH10	
	11	112,70	B	20	52	80	80	18,19	54,64	3,67	PHS 20B-2BH11	
	12	122,67	B	20	60	90	80	18,19	54,64	4,31	PHS 20B-2BH12	
	13	132,67	B	20	64	100	80	18,19	54,64	5,53	PHS 20B-2BH13	
	14	142,68	B	20	73	110	80	18,19	54,64	6,62	PHS 20B-2BH14	
	15	152,71	B	20	80	120	80	18,19	54,64	7,76	PHS 20B-2BH15	
	16	162,75	B	25	80	120	80	18,19	54,64	9,12	PHS 20B-2BH16	
	17	172,79	B	25	80	120	80	18,19	54,64	10,44	PHS 20B-2BH17	
	18	182,84	B	25	80	120	80	18,19	54,64	11,71	PHS 20B-2BH18	
	19	192,90	B	25	80	120	80	18,19	54,64	12,92	PHS 20B-2BH19	
	20	202,96	B	25	80	120	80	18,19	54,64	15,43	PHS 20B-2BH20	
	21	213,03	B	25	92	140	80	18,19	54,64	16,55	PHS 20B-2BH21	
	22	223,10	B	25	92	140	80	18,19	54,64	17,70	PHS 20B-2BH22	
	23	233,17	B	25	92	140	80	18,19	54,64	19,05	PHS 20B-2BH23	
	24	243,25	B	25	96	140	80	18,19	54,64	20,43	PHS 20B-2BH24	
	25	253,32	B	25	96	140	80	18,19	54,64	21,77	PHS 20B-2BH25	
	26	263,41	B	25	96	150	80	18,19	54,64	23,15	PHS 20B-2BH26	
	27	273,49	B	25	96	150	80	18,19	54,64	24,97	PHS 20B-2BH27	
	28	283,57	B	25	96	150	80	18,19	54,64	26,78	PHS 20B-2BH28	
	30	303,75	B	25	96	150	80	18,19	54,64	30,41	PHS 20B-2B30	
	32	323,92	B	25	96	150	80	18,19	54,64	32,22	PHS 20B-2B32	
	35	354,20	C	25	100	150	80	18,19	54,64	34,02	PHS 20B-2C35	
	36	364,29	C	30	100	150	80	18,19	54,64	34,70	PHS 20B-2C36	
	38	384,48	C	30	100	150	80	18,19	54,64	43,72	PHS 20B-2C38	
	42	424,86	C	30	100	160	90	18,19	54,64	43,55	PHS 20B-2C42	
	45	455,15	C	30	100	160	90	18,19	54,64	46,72	PHS 20B-2C45	
	57	576,35	C	30	100	160	100	18,19	54,64	64,10	PHS 20B-2C57	
	60	606,66	C	30	125	160	100	18,19	54,64	79,38	PHS 20B-2C60	
	68	687,48	C	30	125	180	100	18,19	54,64	87,74	PHS 20B-2C68	
	76	768,30	C	30	125	180	100	18,19	54,64	96,11	PHS 20B-2C76	
	80	808,71	C	30	125	180	100	18,19	54,64	100,30	PHS 20B-2C80	
	95	960,28	C	30	125	180	100	18,19	54,64	115,98	PHS 20B-2C95	
	114	1 152,26	C	30	125	180	100	18,19	54,64	135,85	PHS 20B-2C114	
	38,10	11	135,23	B	25	60	90	100	23,62	71,98	6,50	PHS 24B-2BH11
		12	147,21	B	25	67	102	100	23,62	71,98	8,13	PHS 24B-2BH12
		13	159,20	B	25	76	114	100	23,62	71,98	9,92	PHS 24B-2BH13
		14	171,22	B	25	84	128	100	23,62	71,98	11,98	PHS 24B-2BH14
		15	183,25	B	25	93	132	100	23,62	71,98	14,13	PHS 24B-2BH15
		16	195,29	B	25	100	136	100	23,62	71,98	16,35	PHS 24B-2BH16
		17	207,35	B	25	100	136	100	23,62	71,98	17,85	PHS 24B-2BH17
		18	219,41	B	25	108	150	100	23,62	71,98	20,35	PHS 24B-2BH18
		19	231,48	B	25	108	160	100	23,62	71,98	22,56	PHS 24B-2BH19
20		243,55	B	25	108	160	100	23,62	71,98	24,78	PHS 24B-2BH20	
21		255,63	B	25	108	160	100	23,62	71,98	26,99	PHS 24B-2BH21	
22		267,72	B	25	108	160	100	23,62	71,98	29,74	PHS 24B-2BH22	
23		279,80	B	25	108	160	100	23,62	71,98	32,87	PHS 24B-2BH23	
24		291,90	B	25	108	160	100	23,62	71,98	36,00	PHS 24B-2BH24	
25		303,99	B	25	108	160	100	23,62	71,98	39,13	PHS 24B-2BH25	
26		316,09	B	30	108	160	100	23,62	71,98	42,26	PHS 24B-2B26	
27		328,19	B	30	108	160	100	23,62	71,98	45,40	PHS 24B-2B27	
28		340,29	B	30	108	160	100	23,62	71,98	48,53	PHS 24B-2B28	
29		352,39	B	30	108	160	100	23,62	71,98	51,66	PHS 24B-2B29	
30		364,49	B	30	108	160	100	23,62	71,98	54,79	PHS 24B-2B30	
32		388,71	B	30	108	160	100	23,62	71,98	61,05	PHS 24B-2B32	
38		461,37	B	30	137	160	100	23,62	71,98	72,01	PHS 24B-2B38	
40		485,60	C	30	137	160	100	23,62	71,98	75,80	PHS 24B-2C40	
42		509,83	C	30	137	180	100	23,62	71,98	79,59	PHS 24B-2C42	
45		546,19	C	30	137	180	100	23,62	71,98	85,28	PHS 24B-2C45	
48		582,54	C	30	137	180	100	23,62	71,98	90,97	PHS 24B-2C48	
50		606,78	C	30	137	180	100	23,62	71,98	94,76	PHS 24B-2C50	
54		655,26	C	30	161	180	110	23,62	71,98	127,46	PHS 24B-2C54	
57		691,62	C	30	161	180	110	23,62	71,98	140,74	PHS 24B-2C57	
60		727,99	C	30	161	180	120	23,62	71,98	154,02	PHS 24B-2C60	
68		824,97	C	30	161	200	120	23,62	71,98	189,45	PHS 24B-2C68	
72		873,46	C	30	161	200	120	23,62	71,98	207,16	PHS 24B-2C72	
76		921,96	C	30	161	200	120	23,62	71,98	224,87	PHS 24B-2C76	
95		1 152,33	C	30	161	200	120	23,62	71,98	309,00	PHS 24B-2C95	
96		1 164,46	C	30	161	200	120	23,62	71,98	313,43	PHS 24B-2C96	
114		1 382,72	C	30	161	200	120	23,62	71,98	393,13	PHS 24B-2C114	
44,45		11	157,77	B	25	73	112	120	29,36	88,90	10,21	PHS 28B-2BH11
		12	171,74	B	25	84	125	120	29,36	88,90	13,02	PHS 28B-2BH12
		13	185,75	B	25	84	125	120	29,36	88,90	16,00	PHS 28B-2BH13
		14	199,76	B	25	87	125	120	29,36	88,90	19,28	PHS 28B-2BH14

Maximum bores can accommodate standard keyways. Larger bores are available.
 All Type B or C sprockets, up to and including 25 tooth, are with hardened teeth as standard.
 For any additional size sprockets with hardened teeth, add "H" before the number of teeth, e.g. PHS 06B-2BH12.

Metric sprockets, duplex, standard

ISO 28B-2 · 44,45 mm pitch | ISO 32B-2 · 50,80 mm pitch

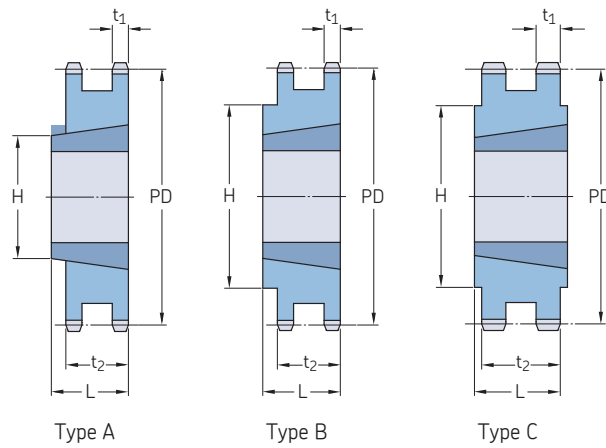


Pitch	Number of teeth	Pitch diameter PD	Type	Dimensions Bore		Hub		Plate thickness		Mass	Designation	
				Min.	Max.	H	L	t ₁	t ₂			
mm	-	mm	-	mm						kg	-	
44,45	15	213,79	B	25	96	145	120	29,36	88,90	22,91	PHS 28B-2BH15	
	16	227,84	B	30	108	160	120	29,36	88,90	26,92	PHS 28B-2BH16	
	17	241,91	B	30	114	160	120	29,36	88,90	30,83	PHS 28B-2BH17	
	18	255,98	B	30	114	160	120	29,36	88,90	34,74	PHS 28B-2BH18	
	19	270,06	B	30	133	180	120	29,36	88,90	38,93	PHS 28B-2BH19	
	20	284,15	B	30	133	180	120	29,36	88,90	44,27	PHS 28B-2BH20	
	21	298,24	B	30	133	180	120	29,36	88,90	45,08	PHS 28B-2BH21	
	22	312,34	B	30	133	180	120	29,36	88,90	48,15	PHS 28B-2BH22	
	23	326,44	B	30	133	180	120	29,36	88,90	51,59	PHS 28B-2BH23	
	24	340,55	B	30	133	180	120	29,36	88,90	55,03	PHS 28B-2BH24	
	25	354,66	B	30	133	180	120	29,36	88,90	58,47	PHS 28B-2BH25	
	26	368,77	B	30	133	180	120	29,36	88,90	64,06	PHS 28B-2B26	
	28	397,00	B	30	133	180	120	29,36	88,90	76,05	PHS 28B-2B28	
	30	425,24	B	30	133	180	120	29,36	88,90	89,16	PHS 28B-2B30	
	32	453,49	B	30	133	180	120	29,36	88,90	103,38	PHS 28B-2B32	
	38	538,27	B	30	133	200	120	29,36	88,90	97,53	PHS 28B-2B38	
	40	566,54	C	30	137	200	120	29,36	88,90	109,47	PHS 28B-2C40	
	45	637,22	C	30	137	200	120	29,36	88,90	137,32	PHS 28B-2C45	
	48	679,63	C	30	137	200	120	29,36	88,90	153,61	PHS 28B-2C48	
	54	764,46	C	30	162	200	120	29,36	88,90	204,44	PHS 28B-2C54	
	57	806,90	C	30	162	200	120	29,36	88,90	210,02	PHS 28B-2C57	
	60	849,32	C	30	162	200	130	29,36	88,90	230,82	PHS 28B-2C60	
	68	962,46	C	30	162	200	130	29,36	88,90	273,98	PHS 28B-2C68	
	72	1 019,05	C	30	162	200	130	29,36	88,90	305,70	PHS 28B-2C72	
	76	1 075,62	C	30	162	200	130	29,36	88,90	323,56	PHS 28B-2C76	
	50,80	11	180,34	B	30	80	120	120	28,83	87,38	10,42	PHS 32B-2BH11
		12	196,29	B	30	89	133	120	28,83	87,38	16,32	PHS 32B-2BH12
		13	212,29	B	30	96	145	120	28,83	87,38	21,77	PHS 32B-2BH13
		14	228,29	B	30	103	145	120	28,83	87,38	26,31	PHS 32B-2BH14
		15	244,30	B	30	106	160	120	28,83	87,38	30,84	PHS 32B-2BH15
		16	260,40	B	30	120	160	120	28,83	87,38	34,02	PHS 32B-2BH16
		17	276,40	B	30	120	180	120	28,83	87,38	41,28	PHS 32B-2BH17
18		292,55	B	30	120	180	120	28,83	87,38	43,55	PHS 32B-2BH18	
19		308,66	B	30	120	200	120	28,83	87,38	48,53	PHS 32B-2BH19	
20		324,71	B	30	130	200	120	28,83	87,38	53,98	PHS 32B-2BH20	
21		340,82	B	30	130	200	120	28,83	87,38	58,97	PHS 32B-2BH21	
22		356,98	B	30	130	200	120	28,83	87,38	63,96	PHS 32B-2BH22	
23		373,08	B	30	130	200	120	28,83	87,38	71,21	PHS 32B-2BH23	
24		389,18	B	30	130	200	120	28,83	87,38	77,57	PHS 32B-2BH24	
25		405,33	B	30	130	200	120	28,83	87,38	84,82	PHS 32B-2BH25	
26		421,44	B	30	130	200	120	28,83	87,38	91,17	PHS 32B-2B26	
28		453,69	B	30	130	200	120	28,83	87,38	101,13	PHS 32B-2B28	
30		486,00	B	30	130	200	120	28,83	87,38	116,57	PHS 32B-2B30	
38		615,14	B	30	178	200	120	28,83	87,38	170,25	PHS 32B-2B38	
40		647,49	C	30	178	200	120	28,83	87,38	177,46	PHS 32B-2C40	
45		728,26	C	30	178	200	120	28,83	87,38	195,50	PHS 32B-2C45	
48		776,72	C	30	178	200	120	28,83	87,38	204,51	PHS 32B-2C48	
54		873,68	C	30	178	220	120	28,83	87,38	222,53	PHS 32B-2C54	
57		922,16	C	30	178	220	120	28,83	87,38	231,54	PHS 32B-2C57	
68		1 099,96	C	30	178	220	130	28,83	87,38	255,83	PHS 32B-2C68	
76		1 229,28	C	30	178	220	130	28,83	87,38	292,83	PHS 32B-2C76	

Maximum bores can accommodate standard keyways. Larger bores are available.
 All Type B or C sprockets, up to and including 25 tooth, are with hardened teeth as standard.
 For any additional size sprockets with hardened teeth, add "H" before the number of teeth, e.g. PHS 06B-2BH12.

Metric sprockets, duplex, taper bushed

ISO 06B-2 · 9,525 mm pitch | ISO 08B-2 · 12,70 mm pitch

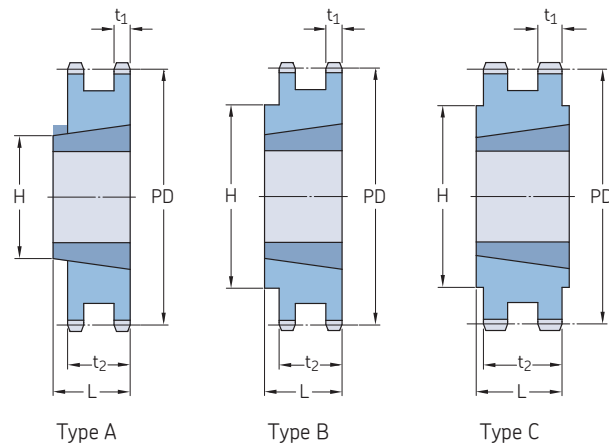


Pitch	Number of teeth	Pitch diameter PD	Type	Bushing number	Dimensions Bore		L	H	Plate thickness		Mass Rim	Bushing	Designation	
					Min.	Max.			t ₁	t ₂				
mm	-	mm	-	-	mm						kg	-	-	
9,525	16	48,82	B	1008	9	25,4	22,0	41	5,20	15,44	0,06	0,12	PHS 06B-2TBH16	
	17	51,83	B	1008	9	25,4	22,0	41	5,20	15,44	0,12	0,09	PHS 06B-2TBH17	
	18	54,85	B	1008	9	25,4	22,0	45	5,20	15,44	0,18	0,09	PHS 06B-2TBH18	
	19	57,87	B	1008	9	25,4	22,0	46	5,20	15,44	0,20	0,09	PHS 06B-2TBH19	
	20	60,89	B	1008	9	25,4	22,0	48	5,20	15,44	0,24	0,09	PHS 06B-2TBH20	
	21	63,91	B	1008	9	25,4	22,0	49	5,20	15,44	0,29	0,09	PHS 06B-2TBH21	
	22	66,93	B	1108	9	25,4	22,0	52	5,20	15,44	0,30	0,12	PHS 06B-2TBH22	
	23	69,95	B	1210	11	31,8	25,0	59	5,20	15,44	0,26	0,21	PHS 06B-2TBH23	
	24	72,97	B	1210	11	31,8	25,0	63	5,20	15,44	0,34	0,21	PHS 06B-2TBH24	
	25	76,00	B	1210	11	31,8	25,0	64	5,20	15,44	0,41	0,21	PHS 06B-2TBH25	
	26	79,02	B	1210	11	31,8	25,0	65	5,20	15,44	0,45	0,21	PHS 06B-2TB26	
	27	82,05	B	1210	11	31,8	25,0	70	5,20	15,44	0,50	0,21	PHS 06B-2TB27	
	28	85,07	B	1210	11	31,8	25,0	70	5,20	15,44	0,54	0,21	PHS 06B-2TB28	
	29	88,09	B	1210	11	31,8	25,0	70	5,20	15,44	0,51	0,21	PHS 06B-2TB29	
	30	91,12	B	1210	11	31,8	25,0	75	5,20	15,44	0,61	0,21	PHS 06B-2TB30	
	32	97,17	B	1610	14	41,3	25,0	80	5,20	15,44	0,75	0,31	PHS 06B-2TB32	
	35	106,26	B	1610	14	41,3	25,0	80	5,20	15,44	0,95	0,31	PHS 06B-2TB35	
	38	115,35	B	1610	14	41,3	25,0	80	5,20	15,44	1,16	0,31	PHS 06B-2TB38	
	40	121,40	B	1610	14	41,3	25,0	80	5,20	15,44	1,30	0,31	PHS 06B-2TB40	
	45	136,55	B	1610	14	41,3	25,0	80	5,20	15,44	1,64	0,31	PHS 06B-2TB45	
	48	145,64	B	1610	14	41,3	25,0	80	5,20	15,44	1,85	0,31	PHS 06B-2TB48	
	54	163,82	B	1610	14	41,3	25,0	80	5,20	15,44	2,26	0,31	PHS 06B-2TB54	
	57	172,91	B	1610	14	41,3	25,0	80	5,20	15,44	1,75	0,31	PHS 06B-2TB57	
	60	182,00	B	1610	14	41,3	25,0	80	5,20	15,44	2,67	0,31	PHS 06B-2TB60	
	70	212,30	B	1610	14	41,3	25,0	80	5,20	15,44	3,36	0,31	PHS 06B-2TB70	
	76	230,49	B	1610	14	41,3	25,0	80	5,20	15,44	3,19	0,31	PHS 06B-2TB76	
	95	288,08	B	1610	14	41,3	25,0	90	5,20	15,44	5,08	0,31	PHS 06B-2TB95	
	114	345,68	B	1615	14	50,8	38,0	95	5,20	15,44	6,39	0,59	PHS 06B-2TB114	
	12,70	15	61,09	A	1008	9	25,4	22,0	46	7,24	21,13	0,23	0,09	PHS 08B-2TBH15
		16	65,10	A	1108	9	28,0	22,0	50	7,24	21,13	0,25	0,12	PHS 08B-2TBH16
		17	69,11	A	1210	11	31,8	25,0	56	7,24	21,13	0,26	0,21	PHS 08B-2TBH17
		18	73,14	B	1210	11	31,8	25,0	60	7,24	21,13	0,31	0,21	PHS 08B-2TBH18
19		77,16	B	1210	11	31,8	25,0	62	7,24	21,13	0,43	0,21	PHS 08B-2TBH19	
20		81,19	B	1610	14	41,3	25,0	68	7,24	21,13	0,45	0,31	PHS 08B-2TBH20	
21		85,22	B	1610	14	41,3	25,0	70	7,24	21,13	0,48	0,31	PHS 08B-2TBH21	
22		89,24	B	1610	14	41,3	25,0	76	7,24	21,13	0,54	0,31	PHS 08B-2TBH22	
23		93,27	B	1610	14	41,3	25,0	79	7,24	21,13	0,66	0,31	PHS 08B-2TBH23	
24		97,29	B	1610	14	50,8	32,0	84	7,24	21,13	0,60	0,59	PHS 08B-2TBH24	
25		101,33	B	2012	14	50,8	32,0	87	7,24	21,13	0,74	0,59	PHS 08B-2TBH25	
26		105,36	B	2012	14	50,8	32,0	87	7,24	21,13	0,81	0,59	PHS 08B-2TB26	
27		109,40	B	2012	14	50,8	32,0	87	7,24	21,13	0,92	0,59	PHS 08B-2TB27	
28		113,42	B	2012	14	50,8	32,0	87	7,24	21,13	1,03	0,59	PHS 08B-2TB28	
29		117,46	B	2012	14	50,8	32,0	87	7,24	21,13	1,16	0,59	PHS 08B-2TB29	
30		121,50	B	2012	14	50,8	32,0	87	7,24	21,13	1,25	0,59	PHS 08B-2TB30	
35		141,68	B	2012	14	50,8	32,0	100	7,24	21,13	1,65	0,59	PHS 08B-2TB35	
36		145,72	B	2012	14	50,8	32,0	100	7,24	21,13	2,05	0,59	PHS 08B-2TB36	
38		153,80	B	2012	14	50,8	32,0	100	7,24	21,13	2,53	0,59	PHS 08B-2TB38	
42		169,94	C	2517	16	63,5	32,0	100	7,24	21,13	3,13	1,30	PHS 08B-2TB42	
45		182,07	C	2012	14	50,8	32,0	100	7,24	21,13	3,73	0,59	PHS 08B-2TB45	
48		194,18	C	2517	16	63,5	32,0	100	7,24	21,13	3,84	1,30	PHS 08B-2TB48	
54		218,42	C	2517	16	63,5	32,0	100	7,24	21,13	3,95	1,30	PHS 08B-2TB54	
57		230,53	C	2012	14	50,8	32,0	100	7,24	21,13	4,07	0,59	PHS 08B-2TB57	
60		242,66	C	2517	16	63,5	32,0	100	7,24	21,13	4,20	1,30	PHS 08B-2TB60	

All Type B or C sprockets, up to and including 25 tooth, are with hardened teeth as standard.
For any additional size sprockets with hardened teeth, add "H" before the number of teeth, e.g. PHS 06B-2TBH16.

Metric sprockets, duplex, taper bushed

ISO 08B-2 · 12,70 mm pitch | ISO 10B-2 · 15,88 mm pitch | ISO 12B-2 · 19,05 mm pitch



Pitch	Number of teeth	Pitch diameter PD	Type	Bushing number	Dimensions Bore		L	H	Plate thickness		Mass Rim	Bushing	Designation	
					Min.	Max.			t ₁	t ₂				
mm	-	mm	-	-	mm						kg	-	-	
12,70	68	274,99	C	2517	16	63,5	32,0	100	7,24	21,13	4,33	1,30	PHS 08B-2TB68	
	70	283,07	C	2517	16	63,5	32,0	100	7,24	21,13	4,46	1,30	PHS 08B-2TB70	
	72	291,15	C	2517	16	63,5	32,0	100	7,24	21,13	4,59	1,30	PHS 08B-2TB72	
	76	307,31	C	2012	14	50,8	32,0	100	7,24	21,13	4,72	0,59	PHS 08B-2TB76	
	84	339,65	C	2517	16	63,5	32,0	100	7,24	21,13	6,45	1,30	PHS 08B-2TB84	
	95	384,10	C	2012	14	50,8	32,0	100	7,24	21,13	8,18	0,59	PHS 08B-2TB95	
	96	388,15	C	2517	16	63,5	32,0	110	7,24	21,13	9,00	1,30	PHS 08B-2TB96	
	114	460,90	C	2517	16	63,5	45,0	110	7,24	21,13	10,50	1,30	PHS 08B-2TB114	
	15,88	14	71,34	A	1008	9	25,4	25,5	-	8,97	25,22	0,43	0,09	PHS 10B-2TBH14
		15	76,36	A	1210	11	31,8	25,5	-	8,97	25,22	0,39	0,21	PHS 10B-2TBH15
16		81,37	A	1610	14	41,3	25,5	-	8,97	25,22	0,35	0,31	PHS 10B-2TBH16	
17		86,39	A	1610	14	41,3	25,5	-	8,97	25,22	0,46	0,31	PHS 10B-2TBH17	
18		91,42	A	1610	14	41,3	25,5	-	8,97	25,22	0,62	0,31	PHS 10B-2TBH18	
19		96,45	A	1610	14	41,3	25,5	-	8,97	25,22	0,75	0,31	PHS 10B-2TBH19	
20		101,49	B	1610	14	41,3	25,5	-	8,97	25,55	0,87	0,31	PHS 10B-2TBH20	
21		106,52	B	1610	14	41,3	25,5	-	8,97	25,55	1,05	0,31	PHS 10B-2TBH21	
22		111,55	B	1610	14	41,3	25,5	-	8,97	25,55	1,20	0,31	PHS 10B-2TBH22	
23		116,58	B	1610	14	41,3	25,5	-	8,97	25,55	1,38	0,31	PHS 10B-2TBH23	
24		121,62	B	2012	14	50,8	32,0	90	8,97	25,55	1,43	0,59	PHS 10B-2TBH24	
25		126,66	B	2012	14	50,8	32,0	90	8,97	25,55	1,62	0,59	PHS 10B-2TBH25	
26		131,70	B	2012	14	50,8	32,0	90	8,97	25,55	1,79	0,59	PHS 10B-2TB26	
27		136,75	B	2012	14	50,8	32,0	90	8,97	25,55	2,00	0,59	PHS 10B-2TB27	
28		141,78	B	2012	14	50,8	32,0	90	8,97	25,55	2,20	0,59	PHS 10B-2TB28	
29		146,83	B	2012	14	50,8	32,0	90	8,97	25,55	2,43	0,59	PHS 10B-2TB29	
30		151,87	B	2012	14	50,8	32,0	90	8,97	25,55	2,66	0,59	PHS 10B-2TB30	
36		182,15	C	2517	16	63,5	45,0	110	8,97	25,55	4,33	1,30	PHS 10B-2TB36	
38		192,24	C	2517	14	50,8	45,0	110	8,97	25,55	4,88	0,59	PHS 10B-2TB38	
42		212,44	C	2517	16	63,5	45,0	110	8,97	25,55	5,99	1,30	PHS 10B-2TB42	
45		227,58	C	2517	16	63,5	45,0	110	8,97	25,55	6,83	1,30	PHS 10B-2TB45	
48		242,73	C	2517	16	63,5	45,0	110	8,97	25,55	7,66	1,30	PHS 10B-2TB48	
57		288,18	C	2517	16	63,5	45,0	110	8,97	25,55	10,15	1,30	PHS 10B-2TB57	
60		303,32	C	2517	16	63,5	45,0	110	8,97	25,55	10,99	1,30	PHS 10B-2TB60	
68		343,74	C	2517	16	63,5	45,0	110	8,97	25,55	13,21	1,30	PHS 10B-2TB68	
76		384,16	C	2517	16	63,5	45,0	110	8,97	25,55	15,43	1,30	PHS 10B-2TB76	
84		424,57	C	2517	16	63,5	45,0	110	8,97	25,55	17,65	1,30	PHS 10B-2TB84	
95		480,14	C	2517	16	63,5	45,0	110	8,97	25,55	20,70	1,30	PHS 10B-2TB95	
114		576,13	C	2517	16	63,5	45,0	110	8,97	25,55	25,97	1,30	PHS 10B-2TB114	
19,05		12	73,61	A	1215	11	31,8	30,3	-	10,87	30,33	0,19	0,30	PHS 12B-2TBH12
	13	79,59	A	1215	14	41,3	30,3	-	10,87	30,33	0,36	0,30	PHS 12B-2TBH13	
	14	85,61	A	1215	14	41,3	30,3	-	10,87	30,33	0,53	0,30	PHS 12B-2TBH14	
	15	91,63	A	1610	14	41,3	30,3	-	10,87	30,33	0,70	0,31	PHS 12B-2TBH15	
	16	97,65	A	1610	14	41,3	30,3	-	10,87	30,33	0,87	0,31	PHS 12B-2TBH16	
	17	103,67	A	1610	14	41,3	30,3	-	10,87	30,33	1,10	0,31	PHS 12B-2TBH17	
	18	109,71	B	2012	14	50,8	31,8	90	10,87	30,33	1,05	0,59	PHS 12B-2TBH18	
	19	115,75	B	2012	14	50,8	32,0	90	10,87	30,33	1,29	0,59	PHS 12B-2TBH19	
	20	121,78	B	2517	16	63,5	45,0	102	10,87	30,33	1,34	1,30	PHS 12B-2TBH20	
	21	127,82	B	2517	16	63,5	45,0	108	10,87	30,33	1,71	1,30	PHS 12B-2TBH21	
	22	133,86	B	2517	16	63,5	45,0	108	10,87	30,33	2,03	1,30	PHS 12B-2TBH22	
	23	139,90	B	2517	16	63,5	45,0	108	10,87	30,33	2,51	1,30	PHS 12B-2TBH23	
	24	145,94	B	2517	16	63,5	45,0	108	10,87	30,33	2,58	1,30	PHS 12B-2TBH24	
	25	152,00	B	2517	16	63,5	45,0	108	10,87	30,33	3,38	1,30	PHS 12B-2TBH25	
	26	158,04	B	2517	16	63,5	45,0	108	10,87	30,33	3,24	1,30	PHS 12B-2TB26	
	27	164,09	B	2517	16	63,5	45,0	108	10,87	30,33	4,00	1,30	PHS 12B-2TB27	

All Type B or C sprockets, up to and including 25 tooth, are with hardened teeth as standard.
For any additional size sprockets with hardened teeth, add "H" before the number of teeth, e.g. PHS 06B-2TBH16.

Metric sprockets, duplex, taper bushed

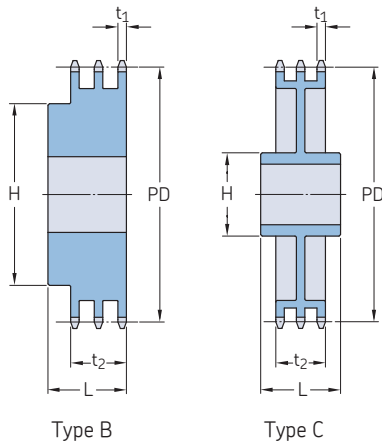
ISO 12B-2 · 19,05 mm pitch | ISO 16B-2 · 25,40 mm pitch

Pitch	Number of teeth	Pitch diameter	Type	Bushing number	Dimensions				Plate thickness		Mass Rim	Bushing	Designation
					Bore		L	H	t ₁	t ₂			
					Min.	Max.							
mm	–	mm	–	–	mm	mm	mm	mm	mm	kg	–	–	
19,05	28	170,13	B	2517	16	63,5	45,0	108	10,87	30,33	3,92	1,30	PHS 12B-2TB28
	30	182,25	B	2517	16	63,5	45,0	108	10,87	30,33	5,14	1,30	PHS 12B-2TB30
	32	194,36	B	2517	16	63,5	44,5	130	10,87	30,33	5,92	1,30	PHS 12B-2TB32
	35	212,52	B	2517	16	63,5	44,5	130	10,87	30,33	7,08	1,30	PHS 12B-2TB35
	38	230,69	B	3020	25	76,2	51,0	140	10,87	30,33	6,95	2,24	PHS 12B-2TB38
	40	242,81	C	3020	25	76,2	51,0	140	10,87	30,33	9,03	2,24	PHS 12B-2TB40
	42	254,93	C	3020	25	76,2	51,0	140	10,87	30,33	9,81	2,24	PHS 12B-2TB42
	45	273,10	C	3020	25	76,2	51,0	140	10,87	30,33	9,33	2,24	PHS 12B-2TB45
	54	327,64	C	3020	25	76,2	51,0	140	10,87	30,33	14,47	2,24	PHS 12B-2TB54
	57	345,81	C	3020	25	76,2	51,0	140	10,87	30,33	10,50	2,24	PHS 12B-2TB57
	60	363,99	C	3020	25	76,2	51,0	140	10,87	30,33	16,80	2,24	PHS 12B-2TB60
	65	394,29	C	3020	25	76,2	51,0	140	10,87	30,33	18,75	2,24	PHS 12B-2TB65
	70	424,60	C	3020	25	76,2	51,0	140	10,87	30,33	20,69	2,24	PHS 12B-2TB70
	76	460,99	C	3020	25	76,2	51,0	140	10,87	30,33	17,06	2,24	PHS 12B-2TB76
84	509,48	C	3020	25	76,2	51,0	140	10,87	30,33	26,13	2,24	PHS 12B-2TB84	
95	576,17	C	3020	25	76,2	51,0	140	10,87	30,33	28,50	2,24	PHS 12B-2TB95	
114	691,36	C	3020	25	76,2	76,0	140	10,87	30,33	37,80	2,24	PHS 12B-2TB114	
25,40	13	106,12	A	1615	14	42,0	47,7	–	15,83	47,71	0,51	0,59	PHS 16B-2TBH13
	14	114,15	A	2012	14	50,8	47,7	–	15,83	47,71	1,01	0,59	PHS 16B-2TBH14
	15	122,17	A	2012	14	50,8	47,7	–	15,83	47,71	2,12	0,59	PHS 16B-2TBH15
	16	130,20	A	2517	16	63,5	47,7	–	15,83	47,71	2,01	1,30	PHS 16B-2TBH16
	17	138,22	A	2517	16	63,5	47,7	–	15,83	47,71	2,51	1,30	PHS 16B-2TBH17
	18	146,28	A	2517	16	63,5	47,7	–	15,83	47,71	3,13	1,30	PHS 16B-2TBH18
	19	154,33	A	2517	16	63,5	47,7	–	15,83	47,71	3,76	1,30	PHS 16B-2TBH19
	20	162,38	B	2517	16	63,5	47,7	140	15,83	47,71	4,43	1,30	PHS 16B-2TBH20
	21	170,43	B	3020	25	76,2	51,0	140	15,83	47,71	4,13	2,24	PHS 16B-2TBH21
	22	178,48	B	3020	25	76,2	51,0	140	15,83	47,71	4,95	2,24	PHS 16B-2TBH22
	23	186,53	B	3020	25	76,2	51,0	140	15,83	47,71	5,80	2,24	PHS 16B-2TBH23
	24	194,59	B	3020	25	76,2	51,0	140	15,83	47,71	6,68	2,24	PHS 16B-2TBH24
	25	202,66	B	3020	25	76,2	51,0	140	15,83	47,71	7,65	2,24	PHS 16B-2TBH25
	26	210,72	B	3020	25	76,2	51,0	140	15,83	47,71	8,50	2,24	PHS 16B-2TB26
	27	218,79	B	3020	25	76,2	51,0	140	15,83	47,71	9,47	2,24	PHS 16B-2TB27
	28	226,85	B	3020	25	76,2	51,0	140	15,83	47,71	10,46	2,24	PHS 16B-2TB28
	29	234,92	B	3020	25	76,2	51,0	140	15,83	47,71	11,48	2,24	PHS 16B-2TB29
	30	243,00	B	3020	25	76,2	51,0	140	15,83	47,71	12,50	3,04	PHS 16B-2TB30
	35	283,36	C	3030	35	76,2	76,0	140	15,83	47,71	16,36	3,04	PHS 16B-2TB35
	38	307,59	C	3030	25	63,5	51,0	140	15,83	47,71	13,48	3,04	PHS 16B-2TB38
	42	339,90	C	3030	35	76,2	76,0	140	15,83	47,71	22,52	2,24	PHS 16B-2TB42
	45	364,13	C	3030	35	76,2	76,0	140	15,83	47,71	18,30	3,04	PHS 16B-2TB45
57	461,07	C	3525	35	100,0	63,5	175	15,83	47,71	27,00	3,56	PHS 16B-2TB57	
76	614,65	C	3525	35	100,0	63,5	175	15,83	47,71	43,50	3,56	PHS 16B-2TB76	
95	768,22	C	4040	40	101,6	102,0	215	15,83	47,71	67,00	5,54	PHS 16B-2TB95	
114	921,81	C	4040	40	101,6	102,0	215	15,83	47,71	85,88	5,54	PHS 16B-2TB114	

All Type B or C sprockets, up to and including 25 tooth, are with hardened teeth as standard.
For any additional size sprockets with hardened teeth, add "H" before the number of teeth, e.g. PHS 06B-2TBH16.

Metric sprockets, triplex, standard

ISO 06B-3 · 9,525 mm pitch | ISO 08B-3 · 12,70 mm pitch



Pitch	Number of teeth	Pitch diameter PD	Type	Dimensions Bore		Hub		Plate thickness		Mass	Designation
				Min.	Max.	H	L	t ₁	t ₂		
mm	-	mm	-	mm						kg	-
9,525	12	36,80	B	10	16	25	35	5,20	25,70	0,23	PHS 06B-3BH12
	13	39,79	B	10	18	28	35	5,20	25,70	0,27	PHS 06B-3BH13
	14	42,80	B	12	18	31	35	5,20	25,70	0,32	PHS 06B-3BH14
	15	45,81	B	12	20	34	35	5,20	25,70	0,36	PHS 06B-3BH15
	16	48,82	B	12	20	37	35	5,20	25,70	0,45	PHS 06B-3BH16
	17	51,83	B	12	24	40	35	5,20	25,70	0,54	PHS 06B-3BH17
	18	54,85	B	12	25	43	35	5,20	25,70	0,64	PHS 06B-3BH18
	19	57,87	B	12	28	46	35	5,20	25,70	0,72	PHS 06B-3BH19
	20	60,89	B	12	30	49	35	5,20	25,70	0,77	PHS 06B-3BH20
	21	63,91	B	14	30	52	40	5,20	25,70	0,86	PHS 06B-3BH21
	22	66,93	B	14	35	55	40	5,20	25,70	0,95	PHS 06B-3BH22
	23	69,95	B	14	38	58	40	5,20	25,70	1,04	PHS 06B-3BH23
	24	72,97	B	14	39	61	40	5,20	25,70	1,18	PHS 06B-3BH24
	25	76,02	B	14	40	64	40	5,20	25,70	1,27	PHS 06B-3BH25
	26	79,02	B	14	42	67	40	5,20	25,70	1,31	PHS 06B-3BH26
	27	82,02	B	14	45	70	40	5,20	25,70	1,36	PHS 06B-3BH27
	28	85,07	B	14	48	73	40	5,20	25,70	1,50	PHS 06B-3BH28
	29	88,09	B	14	50	76	40	5,20	25,70	1,68	PHS 06B-3BH29
	30	91,12	B	14	52	79	40	5,20	25,70	1,72	PHS 06B-3BH30
	32	97,17	B	16	52	80	40	5,20	25,70	2,00	PHS 06B-3BH32
	35	106,26	B	16	52	85	40	5,20	25,70	2,25	PHS 06B-3BH35
	36	109,29	B	16	60	90	40	5,20	25,70	2,33	PHS 06B-3BH36
	38	115,35	B	16	60	90	40	5,20	25,70	2,49	PHS 06B-3BH38
	40	121,40	B	16	60	90	40	5,20	25,70	2,65	PHS 06B-3BH40
	42	127,46	B	16	60	90	56	5,20	25,70	2,81	PHS 06B-3BH42
	45	136,55	B	16	60	90	56	5,20	25,70	3,00	PHS 06B-3BH45
	48	145,64	B	16	60	90	56	5,20	25,70	3,20	PHS 06B-3BH48
	52	157,75	B	16	60	90	56	5,20	25,70	3,46	PHS 06B-3BH52
	57	172,91	B	16	60	90	56	5,20	25,70	4,77	PHS 06B-3BH57
	60	181,99	B	16	60	90	56	5,20	25,70	5,02	PHS 06B-3BH60
	68	206,24	B	16	60	90	56	5,20	25,70	5,69	PHS 06B-3BH68
	70	212,30	B	16	60	90	56	5,20	25,70	5,86	PHS 06B-3BH70
72	218,37	B	16	60	90	56	5,20	25,70	6,02	PHS 06B-3BH72	
76	230,49	B	16	64	90	56	5,20	25,70	8,48	PHS 06B-3BH76	
84	254,74	B	16	64	90	56	5,20	25,70	9,37	PHS 06B-3BH84	
95	288,08	B	16	64	90	56	5,20	25,70	13,61	PHS 06B-3BH95	
96	291,11	B	16	64	90	56	5,20	25,70	13,75	PHS 06B-3BH96	
114	345,69	B	16	64	90	56	5,20	25,70	17,48	PHS 06B-3BH114	
12,70	11	45,07	B	14	22	32	50	7,24	35,05	0,32	PHS 08B-3BH11
	12	49,07	B	14	24	35	50	7,24	35,05	0,45	PHS 08B-3BH12
	13	53,06	B	14	25	38	50	7,24	35,05	0,59	PHS 08B-3BH13
	14	57,07	B	14	28	42	50	7,24	35,05	0,72	PHS 08B-3BH14
	15	61,09	B	14	31	46	50	7,24	35,05	0,81	PHS 08B-3BH15
	16	65,10	B	16	35	50	50	7,24	35,05	0,90	PHS 08B-3BH16
	17	69,11	B	16	36	54	50	7,24	35,05	1,04	PHS 08B-3BH17
	18	73,14	B	16	38	58	50	7,24	35,05	1,22	PHS 08B-3BH18
	19	77,16	B	16	40	62	50	7,24	35,05	1,41	PHS 08B-3BH19
	20	81,19	B	16	40	66	50	7,24	35,05	1,58	PHS 08B-3BH20
	21	85,22	B	16	45	70	55	7,24	35,05	1,81	PHS 08B-3BH21
	22	89,24	B	16	45	70	55	7,24	35,05	2,03	PHS 08B-3BH22
	23	93,27	B	16	45	70	55	7,24	35,05	2,27	PHS 08B-3BH23
	24	97,29	B	16	50	75	55	7,24	35,05	2,44	PHS 08B-3BH24
	25	101,33	B	16	52	80	55	7,24	35,05	2,54	PHS 08B-3BH25

Maximum bores can accommodate standard keyways. Larger bores are available where a shallow keyway is used or no keyway is required. All Type B or C sprockets, up to and including 25 tooth, are with hardened teeth as standard. For any additional size sprockets with hardened teeth, add "H" before the number of teeth, e.g. PHS 06B-3BH12.

Metric sprockets, triplex, standard

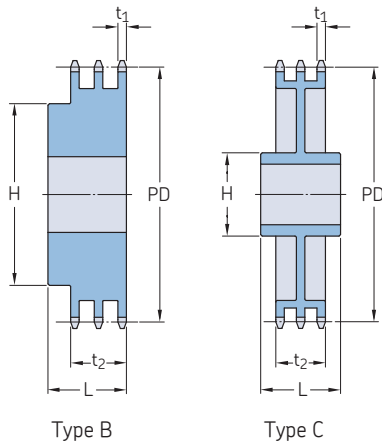
ISO 08B-3 · 12,70 mm pitch | ISO 10B-3 · 15,88 mm pitch | ISO 12B-3 · 19,05 mm pitch

Pitch	Number of teeth	Pitch diameter PD	Type	Dimensions Bore		Hub		Plate thickness		Mass kg	Designation	
				Min.	Max.	H	L	t ₁	t ₂			
				mm	mm	mm	mm	mm	mm			
12,70	26	105,36	B	20	56	85	55	7,24	35,05	2,85	PHS 08B-3B26	
	27	109,40	B	20	56	85	55	7,24	35,05	2,85	PHS 08B-3B27	
	28	113,42	B	20	60	90	55	7,24	35,05	3,16	PHS 08B-3B28	
	29	117,46	B	20	62	95	55	7,24	35,05	3,34	PHS 08B-3B29	
	30	121,50	B	20	64	100	55	7,24	35,05	3,48	PHS 08B-3B30	
	35	141,68	B	20	73	110	55	7,24	35,05	4,79	PHS 08B-3B35	
	36	145,72	B	25	80	120	55	7,24	35,05	5,43	PHS 08B-3B36	
	38	153,80	B	25	80	120	55	7,24	35,05	6,49	PHS 08B-3B38	
	42	169,95	B	25	80	120	60	7,24	35,05	7,17	PHS 08B-3B42	
	45	182,07	B	25	80	120	60	7,24	35,05	7,69	PHS 08B-3B45	
	48	194,18	B	25	80	120	60	7,24	35,05	8,20	PHS 08B-3B48	
	52	210,34	B	25	80	120	60	7,24	35,05	8,88	PHS 08B-3B52	
	54	218,43	B	25	80	120	60	7,24	35,05	9,22	PHS 08B-3B54	
	57	230,54	B	25	80	120	60	7,24	35,05	12,62	PHS 08B-3B57	
	60	242,66	B	25	85	120	60	7,24	35,05	13,84	PHS 08B-3B60	
	68	274,99	B	25	85	120	60	7,24	35,05	15,69	PHS 08B-3B68	
	72	291,16	B	25	85	120	60	7,24	35,05	16,61	PHS 08B-3B72	
	76	307,33	B	25	85	120	60	7,24	35,05	22,23	PHS 08B-3B76	
	84	339,65	B	25	85	120	60	7,24	35,05	24,57	PHS 08B-3B84	
	95	384,11	B	25	85	120	60	7,24	35,05	33,11	PHS 08B-3B95	
	114	460,90	B	25	85	120	60	7,24	35,05	41,90	PHS 08B-3B114	
	15,88	11	56,34	B	16	24	39	55	8,97	42,14	0,68	PHS 10B-3BH11
		12	61,34	B	16	29	44	55	8,97	42,14	0,82	PHS 10B-3BH12
		13	66,32	B	16	34	49	55	8,97	42,14	1,05	PHS 10B-3BH13
		14	71,34	B	16	35	54	55	8,97	42,14	1,23	PHS 10B-3BH14
		15	76,36	B	16	38	59	55	8,97	42,14	1,36	PHS 10B-3BH15
		16	81,37	B	16	42	64	60	8,97	42,14	1,55	PHS 10B-3BH16
		17	86,38	B	16	45	69	60	8,97	42,14	1,81	PHS 10B-3BH17
		18	91,42	B	16	48	74	60	8,97	42,14	2,09	PHS 10B-3BH18
		19	96,45	B	16	52	79	60	8,97	42,14	2,40	PHS 10B-3BH19
20		101,49	B	16	56	84	60	8,97	42,14	2,72	PHS 10B-3BH20	
21		106,52	B	20	56	85	60	8,97	42,14	3,04	PHS 10B-3BH21	
22		111,55	B	20	60	90	60	8,97	42,14	3,36	PHS 10B-3BH22	
23		116,58	B	20	62	95	60	8,97	42,14	3,67	PHS 10B-3BH23	
24		121,62	B	20	64	100	60	8,97	42,14	4,00	PHS 10B-3BH24	
25		126,66	B	20	68	105	60	8,97	42,14	4,31	PHS 10B-3BH25	
26		131,70	B	20	73	110	60	8,97	42,14	5,18	PHS 10B-3B26	
27		136,75	B	20	73	110	60	8,97	42,14	5,63	PHS 10B-3B27	
28		141,78	B	20	76	115	60	8,97	42,14	6,04	PHS 10B-3B28	
29		146,83	B	20	76	115	60	8,97	42,14	6,22	PHS 10B-3B29	
30		151,87	B	20	80	120	60	8,97	42,14	6,36	PHS 10B-3B30	
32		161,95	B	20	80	120	60	8,97	42,14	7,26	PHS 10B-3B32	
35		177,10	B	20	80	120	60	8,97	42,14	8,60	PHS 10B-3B35	
36		182,15	B	25	80	120	60	8,97	42,14	9,34	PHS 10B-3B36	
38		192,24	B	25	80	120	60	8,97	42,14	11,03	PHS 10B-3B38	
45		227,58	B	25	80	130	60	8,97	42,14	14,94	PHS 10B-3B45	
48		242,73	B	25	80	130	60	8,97	42,14	16,62	PHS 10B-3B48	
57		288,18	B	25	80	130	64	8,97	42,14	21,77	PHS 10B-3B57	
60		303,32	B	25	80	130	67	8,97	42,14	22,22	PHS 10B-3B60	
76		384,16	C	25	80	130	67	8,97	42,14	23,13	PHS 10B-3C76	
80		404,35	C	25	80	130	67	8,97	42,14	25,14	PHS 10B-3C80	
95	480,14	C	25	80	130	67	8,97	42,14	32,66	PHS 10B-3C95		
114	576,13	C	25	80	130	67	8,97	42,14	44,76	PHS 10B-3C114		
19,05	11	67,61	B	20	32	47	70	10,87	49,78	1,13	PHS 12B-3BH11	
	12	73,61	B	20	36	53	70	10,87	49,78	1,50	PHS 12B-3BH12	
	13	79,59	B	20	38	59	70	10,87	49,78	1,77	PHS 12B-3BH13	
	14	85,61	B	20	42	65	70	10,87	49,78	2,04	PHS 12B-3BH14	
	15	91,63	B	20	45	71	70	10,87	49,78	2,45	PHS 12B-3BH15	
	16	97,65	B	20	51	77	70	10,87	49,78	2,95	PHS 12B-3BH16	
	17	103,67	B	20	54	83	70	10,87	49,78	3,49	PHS 12B-3BH17	
	18	109,71	B	20	60	89	70	10,87	49,78	3,86	PHS 12B-3BH18	
	19	115,75	B	20	62	95	70	10,87	49,78	4,54	PHS 12B-3BH19	
	20	121,78	B	20	64	100	70	10,87	49,78	5,08	PHS 12B-3BH20	
	21	127,82	B	20	64	100	70	10,87	49,78	5,67	PHS 12B-3BH21	
	22	133,86	B	20	64	100	70	10,87	49,78	5,99	PHS 12B-3BH22	
	23	139,90	B	20	73	110	70	10,87	49,78	6,62	PHS 12B-3BH23	
	24	145,94	B	20	73	110	70	10,87	49,78	7,17	PHS 12B-3BH24	
	25	152,00	B	20	80	120	70	10,87	49,78	7,71	PHS 12B-3BH25	
	26	158,04	B	20	80	120	70	10,87	49,78	8,44	PHS 12B-3B26	
	27	164,09	B	20	80	120	70	10,87	49,78	8,99	PHS 12B-3B27	
	28	170,13	B	20	80	120	70	10,87	49,78	9,49	PHS 12B-3B28	
	29	176,19	B	20	80	120	70	10,87	49,78	9,99	PHS 12B-3B29	
	30	182,25	B	20	80	120	70	10,87	49,78	10,53	PHS 12B-3B30	

Maximum bores can accommodate standard keyways. Larger bores are available where a shallow keyway is used or no keyway is required. All Type B or C sprockets, up to and including 25 tooth, are with hardened teeth as standard. For any additional size sprockets with hardened teeth, add "H" before the number of teeth, e.g. PHS 06B-3BH12.

Metric sprockets, triplex, standard

ISO 12B-3 · 19,05 mm pitch | ISO 16B-3 · 25,40 mm pitch | ISO 20B-3 · 31,75 mm pitch



Pitch	Number of teeth	Pitch diameter PD	Type	Dimensions Bore		Hub		Plate thickness		Mass	Designation
				Min.	Max.	H	L	t ₁	t ₂		
mm	-	mm	-	mm						kg	-
19,05	35	212,52	B	25	85	130	70	10,87	49,78	18,95	PHS 12B-3B35
	36	218,58	B	25	85	130	70	10,87	49,78	19,49	PHS 12B-3B36
	38	230,69	B	25	85	130	70	10,87	49,78	20,57	PHS 12B-3B38
	45	273,10	B	25	85	140	70	10,87	49,78	24,36	PHS 12B-3B45
	48	291,27	B	25	85	140	70	10,87	49,78	25,98	PHS 12B-3B48
	57	345,81	B	25	82	140	70	10,87	49,78	33,73	PHS 12B-3B57
	60	363,99	C	25	82	140	70	10,87	49,78	35,51	PHS 12B-3C60
	68	412,49	C	25	82	140	70	10,87	49,78	40,24	PHS 12B-3C68
	76	460,99	C	25	95	140	70	10,87	49,78	37,19	PHS 12B-3C76
	80	485,22	C	25	95	140	70	10,87	49,78	39,15	PHS 12B-3C80
95	576,17	C	25	95	140	70	10,87	49,78	47,63	PHS 12B-3C95	
25,40	10	90,14	B	20	42	56	95	15,82	79,58	1,85	PHS 16B-3BH10
	11	90,14	B	25	42	64	100	15,82	79,58	3,59	PHS 16B-3BH11
	12	98,14	B	25	45	72	100	15,82	79,58	3,59	PHS 16B-3BH12
	13	106,12	B	25	52	80	100	15,82	79,58	4,13	PHS 16B-3BH13
	14	114,15	B	25	58	88	100	15,82	79,58	4,68	PHS 16B-3BH14
	15	122,17	B	25	62	96	100	15,82	79,58	5,54	PHS 16B-3BH15
	16	130,20	B	25	66	104	100	15,82	79,58	6,81	PHS 16B-3BH16
	17	138,22	B	25	74	112	100	15,82	79,58	8,07	PHS 16B-3BH17
	18	146,28	B	25	80	120	100	15,82	79,58	9,99	PHS 16B-3BH18
	19	154,33	B	25	84	128	100	15,82	79,58	10,89	PHS 16B-3BH19
	20	162,38	B	25	85	130	100	15,82	79,58	11,80	PHS 16B-3BH20
	21	170,43	B	25	85	130	100	15,82	79,58	13,61	PHS 16B-3BH21
	22	178,48	B	25	85	130	100	15,82	79,58	14,07	PHS 16B-3BH22
	23	186,53	B	25	85	130	100	15,82	79,58	14,97	PHS 16B-3BH23
	24	194,59	B	25	85	130	100	15,82	79,58	16,34	PHS 16B-3BH24
	25	202,66	B	25	85	130	100	15,82	79,58	17,70	PHS 16B-3BH25
	26	210,72	B	30	85	130	100	15,82	79,58	19,98	PHS 16B-3B26
	27	218,79	B	30	85	130	100	15,82	79,58	21,57	PHS 16B-3B27
	28	226,85	B	30	85	130	100	15,82	79,58	23,15	PHS 16B-3B28
	29	234,92	B	30	85	130	100	15,82	79,58	24,74	PHS 16B-3B29
	30	243,00	B	30	95	136	100	15,82	79,58	26,33	PHS 16B-3B30
	35	283,36	B	30	95	140	100	15,82	79,58	36,06	PHS 16B-3B35
	36	291,44	B	30	95	140	100	15,82	79,58	38,06	PHS 16B-3B36
	38	307,59	C	30	97	140	100	15,82	79,58	38,22	PHS 16B-3C38
42	339,89	C	30	97	160	100	15,82	79,58	38,51	PHS 16B-3C42	
45	364,13	C	30	97	160	100	15,82	79,58	41,77	PHS 16B-3C45	
57	461,07	C	30	107	180	110	15,82	79,58	54,80	PHS 16B-3C57	
60	485,32	C	30	107	180	110	15,82	79,58	58,06	PHS 16B-3C60	
68	549,98	C	30	107	180	110	15,82	79,58	63,50	PHS 16B-3C68	
76	614,65	C	30	107	180	110	15,82	79,58	74,52	PHS 16B-3C76	
95	768,22	C	30	114	180	110	15,82	79,58	100,70	PHS 16B-3C95	
114	921,81	C	30	114	180	110	15,82	79,58	120,84	PHS 16B-3C114	
31,75	10	102,75	B	20	47	70	110	18,19	91,08	3,95	PHS 20B-3BH10
	11	112,70	B	20	52	80	115	18,19	91,08	5,26	PHS 20B-3BH11
	12	122,67	B	20	60	90	115	18,19	91,08	6,21	PHS 20B-3BH12
	13	132,67	B	20	64	100	115	18,19	91,08	9,26	PHS 20B-3BH13
	14	142,68	B	20	73	110	115	18,19	91,08	9,76	PHS 20B-3BH14
	15	152,71	B	20	80	120	115	18,19	91,08	10,81	PHS 20B-3BH15
	16	162,75	B	25	80	120	115	18,19	91,08	12,76	PHS 20B-3BH16
	17	172,79	B	25	80	120	115	18,19	91,08	14,76	PHS 20B-3BH17
	18	182,84	B	25	80	120	115	18,19	91,08	16,71	PHS 20B-3BH18
	19	192,90	B	25	80	120	115	18,19	91,08	19,13	PHS 20B-3BH19

Maximum bores can accommodate standard keyways. Larger bores are available where a shallow keyway is used or no keyway is required. All Type B or C sprockets, up to and including 25 tooth, are with hardened teeth as standard. For any additional size sprockets with hardened teeth, add "H" before the number of teeth, e.g. PHS 06B-3BH12.

Metric sprockets, triplex, standard

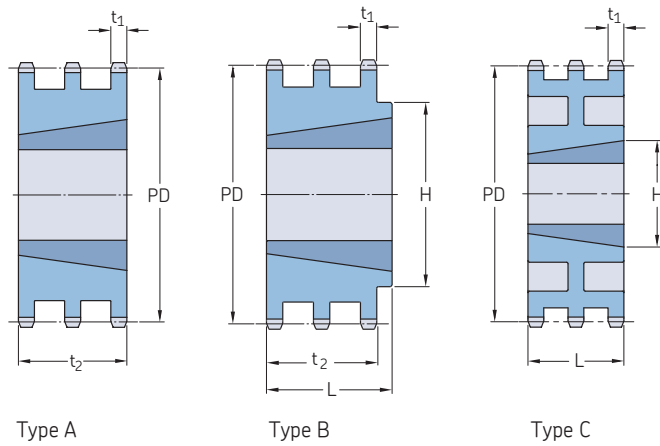
ISO 20B-3 · 31,75 mm pitch

Pitch	Number of teeth	Pitch diameter PD	Type	Dimensions Bore		Hub		Plate thickness		Mass	Designation
				Min.	Max.	H	L	t ₁	t ₂		
mm	–	mm	–	mm						kg	–
31,75	20	202,96	B	25	80	120	115	18,19	91,08	21,57	PHS 20B-3BH20
	21	213,03	B	25	92	140	115	18,19	91,08	23,36	PHS 20B-3BH21
	22	223,10	B	25	92	140	115	18,19	91,08	25,65	PHS 20B-3BH22
	23	233,17	B	25	92	140	115	18,19	91,08	27,90	PHS 20B-3BH23
	24	243,25	B	25	95	140	115	18,19	91,08	27,19	PHS 20B-3BH24
	25	253,32	B	25	95	140	115	18,19	91,08	27,90	PHS 20B-3BH25
	26	263,41	B	25	95	150	115	18,19	91,08	31,90	PHS 20B-3B26
	27	273,49	B	25	95	150	115	18,19	91,08	35,90	PHS 20B-3B27
	28	283,57	B	25	95	150	115	18,19	91,08	39,90	PHS 20B-3B28
	30	303,75	B	25	95	150	115	18,19	91,08	47,90	PHS 20B-3B30
	32	323,92	B	30	95	150	115	18,19	91,08	51,57	PHS 20B-3B32
	35	354,20	C	30	97	150	115	18,19	91,08	57,29	PHS 20B-3C35
	36	364,29	C	30	97	150	115	18,19	91,08	59,35	PHS 20B-3C36
	38	384,48	C	30	97	150	115	18,19	91,08	62,56	PHS 20B-3C38
	42	424,86	C	30	97	160	110	18,19	91,08	70,12	PHS 20B-3C42
	45	455,15	C	30	97	160	110	18,19	91,08	75,84	PHS 20B-3C45
	57	576,35	C	30	102	180	123	18,19	91,08	100,11	PHS 20B-3C57
	60	606,66	C	30	102	180	123	18,19	91,08	104,86	PHS 20B-3C60
	68	687,48	C	30	102	200	123	18,19	91,08	117,54	PHS 20B-3C68
	76	768,30	C	30	102	200	123	18,19	91,08	130,21	PHS 20B-3C76
80	808,71	C	30	102	200	123	18,19	91,08	136,55	PHS 20B-3C80	
95	960,28	C	30	102	200	123	18,19	91,08	160,31	PHS 20B-3C95	
114	1 152,27	C	30	102	200	126	18,19	91,08	190,41	PHS 20B-3C114	

Maximum bores can accommodate standard keyways. Larger bores are available where a shallow keyway is used or no keyway is required. All Type B or C sprockets, up to and including 25 tooth, are with hardened teeth as standard. For any additional size sprockets with hardened teeth, add "H" before the number of teeth, e.g. PHS 06B-3BH12.

Metric sprockets, triplex, taper bushed

ISO 12B-3 · 19,05 mm pitch | ISO 16B-3 · 25,40 mm pitch

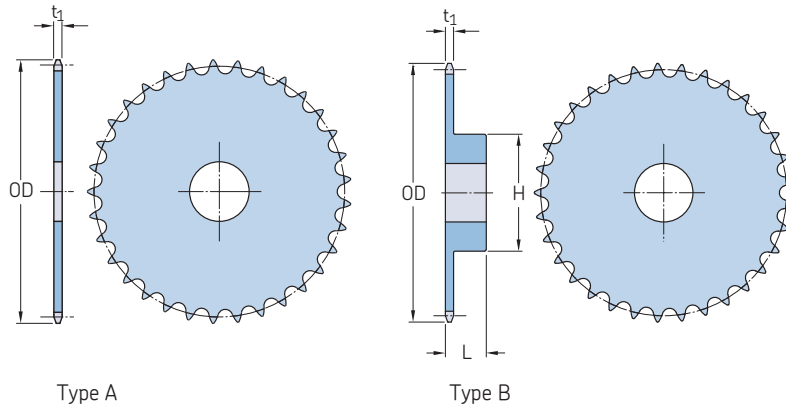


Pitch	Number of teeth	Pitch diameter PD	Type	Bushing number	Dimensions Bore		L	H	Plate thickness		Mass	Designation
					Min.	Max.			t ₁	t ₂		
mm	-	mm	-	-	mm		-	-	-	-	kg	-
19,05	17	103,67	A	2012	14	50	-	-	10,87	49,78	1,28	PHS 12B-3TBH17
	19	115,75	A	2517	16	65	-	-	10,87	49,78	2,02	PHS 12B-3TBH19
	21	127,82	A	2517	16	65	-	-	10,87	49,78	2,09	PHS 12B-3TBH21
	23	139,90	A	2517	16	65	-	-	10,87	49,78	3,00	PHS 12B-3TBH23
	25	152,00	A	3020	25	75	-	-	10,87	49,78	3,97	PHS 12B-3TBH25
	27	164,09	B	3020	25	75	140	51,0	10,87	49,78	3,83	PHS 12B-3TB27
	30	182,25	B	3020	25	75	140	51,0	10,87	49,78	5,72	PHS 12B-3TB30
	38	230,69	B	3020	25	75	140	51,0	10,87	49,78	7,76	PHS 12B-3TB38
	45	273,10	C	3020	25	75	140	51,0	10,87	49,78	10,04	PHS 12B-3TB45
	57	345,81	C	3020	25	75	140	51,0	10,87	49,78	14,42	PHS 12B-3TB57
	76	460,99	C	3020	25	75	140	51,0	10,87	49,78	25,50	PHS 12B-3TB76
	95	576,17	C	3030	25	75	140	76,0	10,87	49,78	36,58	PHS 12B-3TB95
	114	691,36	C	3030	25	75	140	76,0	10,87	49,78	47,66	PHS 12B-3TB114
	25,40	17	138,22	A	2517	16	65	-	-	15,82	79,58	4,20
19		154,33	B	3020	35	75	-	76,2	15,82	79,58	4,30	PHS 16B-3TBH19
21		170,43	B	3020	35	75	-	76,2	15,82	79,58	6,60	PHS 16B-3TBH21
23		186,53	B	3525	35	100	-	65,0	15,82	79,58	7,00	PHS 16B-3TBH23
25		202,66	B	3525	35	100	-	65,0	15,82	79,58	9,80	PHS 16B-3TBH25
27		218,79	B	3525	35	100	-	65,0	15,82	79,58	12,80	PHS 16B-3TB27
30		243,00	B	3525	35	100	-	65,0	15,82	79,58	18,00	PHS 16B-3TB30
38		307,59	B	3535	35	100	178	89,0	15,82	79,58	21,50	PHS 16B-3TB38
45		364,13	C	4040	40	115	216	102,0	15,82	79,58	33,50	PHS 16B-3TB45
57		461,07	C	4040	40	115	216	102,0	15,82	79,58	39,50	PHS 16B-3TB57
76		614,65	C	4040	40	115	216	102,0	15,82	79,58	59,50	PHS 16B-3TB76

Maximum bores can accommodate standard keyways. Larger bores are available where a shallow keyway is used or no keyway is required. All Type B or C sprockets, up to and including 25 tooth, are with hardened teeth as standard. For any additional size sprockets with hardened teeth, add "H" before the number of teeth, e.g. PHS 12B-3TBH17.

ANSI sprockets, simplex, pilot bore

ANSI 25-1 · 6,35 mm (1/4") pitch

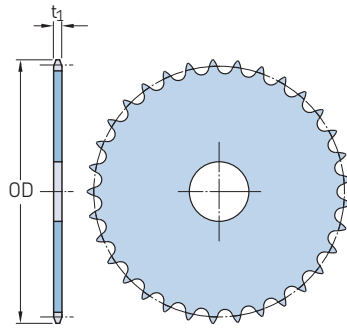


Pitch	Number of teeth	Outside diameter	Type	Dimensions		Hub		Plate thickness	Mass	Designation		
				Bore stock	Bore	H	L					
mm	in.	mm	–	mm	Min.	Max.	mm	t ₁	kg	–		
6,35	1/4	9	21,34	B	–	6,35	6,35	11,11	12,70	2,790	0,01	PHS 25-1B9
		10	23,37	B	–	6,35	6,35	12,70	12,70	2,790	0,01	PHS 25-1B10
		11	25,40	B	–	6,35	7,94	14,29	12,70	2,790	0,02	PHS 25-1B11
		12	27,43	B	–	6,35	9,53	15,88	12,70	2,790	0,03	PHS 25-1B12
		13	29,72	B	–	6,35	11,11	18,26	12,70	2,790	0,03	PHS 25-1B13
		14	31,75	B	–	6,35	14,29	20,64	12,70	2,790	0,04	PHS 25-1B14
		15	33,78	B	–	6,35	14,29	22,62	12,70	2,790	0,05	PHS 25-1B15
		16	35,81	B	–	6,35	14,29	24,61	12,70	2,790	0,05	PHS 25-1B16
		17	37,85	B	–	6,35	15,88	26,19	12,70	2,790	0,06	PHS 25-1B17
		18	39,88	A	6,35	–	–	–	–	2,790	0,02	PHS 25-1A18
		18	39,88	B	–	6,35	19,05	28,58	12,70	2,790	0,07	PHS 25-1B18
		19	41,91	A	6,35	–	–	–	–	2,790	0,02	PHS 25-1A19
		19	41,91	B	–	6,35	20,64	30,96	12,70	2,790	0,09	PHS 25-1B19
		20	43,94	A	6,35	–	–	–	–	2,790	0,02	PHS 25-1A20
		20	43,94	B	–	6,35	22,23	32,54	15,88	2,790	0,11	PHS 25-1B20
		21	45,97	A	9,53	–	–	–	–	2,790	0,02	PHS 25-1A21
		21	45,97	B	–	6,35	22,23	34,93	15,88	2,790	0,13	PHS 25-1B21
		22	48,01	A	9,53	–	–	–	–	2,790	0,03	PHS 25-1A22
		22	48,01	B	–	6,35	23,81	36,51	15,88	2,790	0,14	PHS 25-1B22
		23	50,04	A	9,53	–	–	–	–	2,790	0,03	PHS 25-1A23
		23	50,04	B	–	6,35	25,40	38,10	15,88	2,790	0,15	PHS 25-1B23
		24	52,07	A	9,53	–	–	–	–	2,790	0,04	PHS 25-1A24
		24	52,07	B	–	9,53	25,40	38,10	15,88	2,790	0,15	PHS 25-1B24
		25	54,10	A	9,53	–	–	–	–	2,790	0,04	PHS 25-1A25
		25	54,10	B	–	9,53	25,40	38,10	15,88	2,790	0,15	PHS 25-1B25
		26	56,13	A	9,53	–	–	–	–	2,790	0,04	PHS 25-1A26
		26	56,13	B	–	9,53	25,40	38,10	15,88	2,790	0,16	PHS 25-1B26
		28	60,20	A	9,53	–	–	–	–	2,790	0,05	PHS 25-1A28
		28	60,20	B	–	9,53	25,40	38,10	15,88	2,790	0,16	PHS 25-1B28
		30	64,26	A	9,53	–	–	–	–	2,790	0,05	PHS 25-1A30
		30	64,26	B	–	9,53	25,40	38,10	15,88	2,790	0,17	PHS 25-1B30
		32	68,33	A	9,53	–	–	–	–	2,790	0,06	PHS 25-1A32
		32	68,33	B	–	9,53	25,40	38,10	15,88	2,790	0,18	PHS 25-1B32
		35	74,42	A	9,53	–	–	–	–	2,790	0,07	PHS 25-1A35
		36	76,45	A	9,53	–	–	–	–	2,790	0,08	PHS 25-1A36
		36	76,45	B	–	9,53	25,40	38,10	19,05	2,790	0,23	PHS 25-1B36
		40	84,58	A	12,70	–	–	–	–	2,790	0,09	PHS 25-1A40
		40	84,58	B	–	12,70	34,93	50,80	19,05	2,790	0,24	PHS 25-1B40
		42	88,65	A	12,70	–	–	–	–	2,790	0,11	PHS 25-1A42

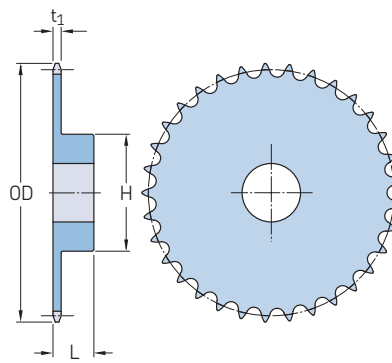
Maximum bores can accommodate standard keyways. Larger bores are available where a shallow keyway is used or no keyway is required. All Type B or C sprockets, up to and including 25 tooth, are with hardened teeth as standard. For any additional size sprockets with hardened teeth, add "H" before the number of teeth, e.g. PHS 25-1BH9.

ANSI sprockets, simplex, pilot bore

ANSI 25-1 · 6,35 mm (1/4") pitch | ANSI 35-1 · 9,53 mm (3/8") pitch



Type A



Type B

Pitch	Number of teeth	Outside diameter OD	Type	Dimensions		Hub H	Hub L	Plate thickness t ₁	Mass	Designation	
				Bore stock	Bore Min. Max.						
mm	in.	mm	–	mm	mm	mm	mm	mm	kg	–	
6,35	1/4	45	A	12,70	–	–	–	2,790	0,11	PHS 25-1A45	
			B	–	12,70	34,93	50,80	19,05	2,790	0,25	PHS 25-1B45
	48	A	100,58	12,70	–	–	–	2,790	0,15	PHS 25-1A48	
		B	100,58	–	12,70	34,93	50,80	19,05	2,790	0,25	PHS 25-1B48
	54	A	112,78	12,70	–	–	–	2,790	0,17	PHS 25-1A54	
		B	112,78	–	12,70	34,93	50,80	19,05	2,790	0,45	PHS 25-1B54
	60	A	124,97	12,70	–	–	–	2,790	0,24	PHS 25-1A60	
		B	124,97	–	12,70	34,93	50,80	19,05	2,790	0,50	PHS 25-1B60
	70	B	145,29	–	12,70	34,93	50,80	19,05	2,790	0,57	PHS 25-1B70
		72	A	149,35	12,70	–	–	–	2,790	0,34	PHS 25-1A72
	B		149,35	–	12,70	34,93	50,80	19,05	2,790	0,59	PHS 25-1B72
	9,53	3/8	8	B	–	9,53	9,53	19,05	19,05	4,270	0,03
B				–	9,53	9,53	21,43	19,05	4,270	0,04	PHS 35-1BH9
B			–	9,53	14,29	24,61	19,05	4,270	0,06	PHS 35-1BH10	
B			–	9,53	14,29	26,99	19,05	4,270	0,08	PHS 35-1BH11	
B			–	12,70	14,29	30,96	19,05	4,270	0,09	PHS 35-1BH12	
B			–	12,70	17,46	31,75	19,05	4,270	0,10	PHS 35-1BH13	
B			–	12,70	22,23	31,75	19,05	4,270	0,11	PHS 35-1BH14	
15			A	12,70	–	–	–	–	4,270	0,05	PHS 35-1A15
			B	–	12,70	22,23	34,13	19,05	4,270	0,13	PHS 35-1BH15
16			A	53,59	12,70	–	–	–	4,270	0,05	PHS 35-1A16
			B	53,59	–	12,70	23,81	37,31	19,05	4,270	0,16
17			A	56,64	12,70	–	–	–	4,270	0,05	PHS 35-1A17
			B	56,64	–	12,70	26,99	40,48	19,05	4,270	0,19
18			A	59,69	12,70	–	–	–	4,270	0,06	PHS 35-1A18
			B	59,69	–	12,70	30,16	43,66	19,05	4,270	0,22
19			A	62,74	12,70	–	–	–	4,270	0,07	PHS 35-1A19
			B	62,74	–	12,70	31,75	46,83	19,05	4,270	0,24
20			A	65,79	12,70	–	–	–	4,270	0,09	PHS 35-1A20
			B	65,79	–	12,70	33,34	49,21	19,05	4,270	0,27
21			A	68,83	12,70	–	–	–	4,270	0,09	PHS 35-1A21
			B	68,83	–	12,70	34,93	50,80	22,23	4,270	0,36
22			A	71,88	12,70	–	–	–	4,270	0,10	PHS 35-1A22
			B	71,88	–	12,70	34,93	50,80	22,23	4,270	0,36
23			A	74,93	12,70	–	–	–	4,270	0,11	PHS 35-1A23
			B	74,93	–	12,70	34,93	50,80	22,23	4,270	0,37
24	A	77,98	12,70	–	–	–	4,270	0,12	PHS 35-1A24		
	B	77,98	–	12,70	34,93	50,80	22,23	4,270	0,40	PHS 35-1BH24	
25	A	81,03	12,70	–	–	–	4,270	0,13	PHS 35-1A25		
	B	81,03	–	12,70	34,93	50,80	22,23	4,270	0,40	PHS 35-1BH25	

Maximum bores can accommodate standard keyways. Larger bores are available where a shallow keyway is used or no keyway is required. All Type B or C sprockets, up to and including 25 tooth, are with hardened teeth as standard. For any additional size sprockets with hardened teeth, add "H" before the number of teeth, e.g. PHS 25-1BH9.

ANSI sprockets, simplex, pilot bore

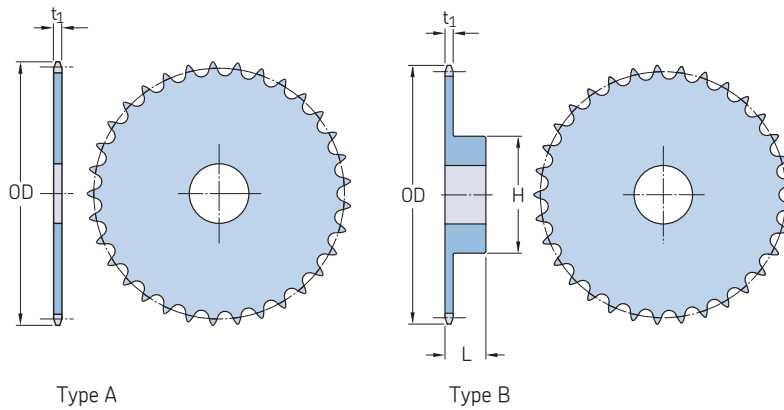
ANSI 35-1 · 9,53 mm (3/8") pitch | ANSI 41-1 · 12,70 mm (1/2") pitch

Pitch	Number of teeth	Outside diameter	Type	Dimensions		Hub	Plate thickness	Mass	Designation				
				Bore stock	Bore								
		OD			Min.	Max.	H	L	t ₁				
mm	in.	mm		mm					kg				
9,53	3/8	26	84,07	A	12,70	–	–	–	–	4,270	0,13	PHS 35-1A26	
			84,07	B	–	12,70	34,93	50,80	22,23	4,270	0,41	PHS 35-1B26	
	27	87,12	A	12,70	–	–	–	–	–	4,270	0,15	PHS 35-1A27	
		87,12	B	–	12,70	34,93	50,80	22,23	4,270	0,43	PHS 35-1B27		
	28	90,17	A	12,70	–	–	–	–	–	4,270	0,15	PHS 35-1A28	
		90,17	B	–	12,70	34,93	50,80	22,23	4,270	0,43	PHS 35-1B28		
	30	96,27	A	12,70	–	–	–	–	–	4,270	0,21	PHS 35-1A30	
		96,27	B	–	12,70	34,93	50,80	22,23	4,270	0,46	PHS 35-1B30		
	32	102,36	A	15,88	–	–	–	–	–	4,270	0,21	PHS 35-1A32	
		102,36	B	–	12,70	34,93	50,80	22,23	4,270	0,56	PHS 35-1B32		
	35	111,51	A	15,88	–	–	–	–	–	4,270	0,27	PHS 35-1A35	
		111,51	B	–	15,88	38,10	57,15	22,23	4,270	0,68	PHS 35-1B35		
	36	114,55	A	15,88	–	–	–	–	–	4,270	0,28	PHS 35-1A36	
		114,55	B	–	15,88	38,10	57,15	22,23	4,270	0,71	PHS 35-1B36		
	40	126,75	A	15,08	–	–	–	–	–	4,270	0,32	PHS 35-1A40	
		126,75	B	–	15,88	38,10	57,15	25,40	4,270	0,73	PHS 35-1B40		
	42	132,84	A	15,08	–	–	–	–	–	4,270	0,35	PHS 35-1A42	
		132,84	B	–	15,88	38,10	57,15	25,40	4,270	0,76	PHS 35-1B42		
	45	141,99	A	15,08	–	–	–	–	–	4,270	0,40	PHS 35-1A45	
		141,99	B	–	15,88	38,10	57,15	25,40	4,270	0,81	PHS 35-1B45		
	48	151,13	A	15,08	–	–	–	–	–	4,270	0,55	PHS 35-1A48	
		151,13	B	–	15,88	38,10	57,15	25,40	4,270	0,85	PHS 35-1B48		
	54	169,16	A	15,08	–	–	–	–	–	4,270	0,60	PHS 35-1A54	
		169,16	B	–	15,88	38,10	57,15	25,40	4,270	1,00	PHS 35-1B54		
60	187,45	A	18,26	–	–	–	–	–	4,270	0,75	PHS 35-1A60		
	187,45	B	–	19,05	38,10	57,15	25,40	4,270	1,12	PHS 35-1B60			
70	217,93	A	18,26	–	–	–	–	–	4,270	1,04	PHS 35-1A70		
	217,93	B	–	19,05	38,10	57,15	25,40	4,270	1,42	PHS 35-1B70			
72	223,77	A	18,26	–	–	–	–	–	4,270	1,16	PHS 35-1A72		
	223,77	B	–	19,05	38,10	57,15	25,40	4,270	1,55	PHS 35-1B72			
80	248,16	A	18,26	–	–	–	–	–	4,270	1,43	PHS 35-1A80		
	248,16	B	–	19,05	38,10	57,15	25,40	4,270	1,73	PHS 35-1B80			
84	260,35	A	18,26	–	–	–	–	–	4,270	1,48	PHS 35-1A84		
	260,35	B	–	19,05	38,10	57,15	25,40	4,270	1,92	PHS 35-1B84			
96	296,67	A	18,26	–	–	–	–	–	4,270	2,10	PHS 35-1A96		
	296,67	B	–	19,05	38,10	57,15	25,40	4,270	2,34	PHS 35-1B96			
112	345,19	A	18,26	–	–	–	–	–	4,270	2,29	PHS 35-1A112		
	345,19	B	–	19,05	38,10	57,15	25,40	4,270	3,04	PHS 35-1B112			
12,70	1/2	6	29,72	B	–	9,53	9,53	16,67	22,23	5,770	0,03	PHS 41-1BH6	
			34,04	B	–	9,53	9,53	19,05	22,23	5,770	0,05	PHS 41-1BH7	
			38,35	B	–	12,70	12,70	25,00	22,23	5,770	0,09	PHS 41-1BH8	
			42,42	B	–	12,70	15,88	28,58	22,23	5,770	0,09	PHS 41-1BH9	
			46,74	B	–	12,70	19,05	31,75	22,23	5,770	0,12	PHS 41-1BH10	
			50,80	B	–	12,70	22,23	36,51	22,23	5,770	0,16	PHS 41-1BH11	
			55,12	B	–	12,70	23,81	39,69	22,23	5,770	0,20	PHS 41-1BH12	
			59,18	B	–	12,70	25,40	39,69	22,23	5,770	0,23	PHS 41-1BH13	
			63,25	B	–	12,70	31,75	44,45	22,23	5,770	0,26	PHS 41-1BH14	
			67,31	A	15,88	–	–	–	–	–	5,770	0,13	PHS 41-1A15
			67,31	B	–	12,70	33,34	55,56	22,23	5,770	0,33	PHS 41-1B15	
			71,37	A	15,88	–	–	–	–	–	5,770	0,15	PHS 41-1A16
			71,37	B	–	15,88	34,93	52,39	22,23	5,770	0,41	PHS 41-1B16	
			75,44	A	15,88	–	–	–	–	–	5,770	0,16	PHS 41-1A17
			75,44	B	–	15,88	38,10	56,75	25,40	5,770	0,49	PHS 41-1B17	
			79,76	A	15,88	–	–	–	–	–	5,770	0,20	PHS 41-1A18
			79,76	B	–	15,88	41,28	60,33	25,40	5,770	0,57	PHS 41-1B18	
			83,82	A	15,88	–	–	–	–	–	5,770	0,21	PHS 41-1A19

Maximum bores can accommodate standard keyways. Larger bores are available where a shallow keyway is used or no keyway is required. All Type B or C sprockets, up to and including 25 tooth, are with hardened teeth as standard. For any additional size sprockets with hardened teeth, add "H" before the number of teeth, e.g. PHS 25-1BH9.

ANSI sprockets, simplex, pilot bore

ANSI 41-1 · 12,70 mm (1/2") pitch



Pitch	Number of teeth	Outside diameter	Type	Dimensions		Hub	Plate thickness		Mass	Designation		
				Bore stock	Bore		H	L			t ₁	
mm	in.	mm		mm	Min.	Max.	H	L	kg			
12,70	19	83,82	B	–	15,88	44,45	62,71	25,40	5,770	0,68	PHS 41-1BH19	
			A	15,88	–	–	–	–	5,770	0,24	PHS 41-1A20	
	20	87,88	87,88	B	–	15,88	47,63	69,85	25,40	5,770	0,74	PHS 41-1BH20
				A	15,88	–	–	–	–	5,770	0,27	PHS 41-1A21
	21	91,95	91,95	B	–	15,88	47,63	73,03	25,40	5,770	0,82	PHS 41-1BH21
				A	15,88	–	–	–	–	5,770	0,30	PHS 41-1A22
	22	96,01	96,01	B	–	15,88	50,80	76,20	25,40	5,770	0,88	PHS 41-1BH22
				A	15,88	–	–	–	–	5,770	0,33	PHS 41-1A23
	23	100,08	100,08	B	–	15,88	57,15	80,96	25,40	5,770	1,02	PHS 41-1BH23
				A	15,88	–	–	–	–	5,770	0,37	PHS 41-1A24
	24	104,14	104,14	B	–	15,88	57,15	82,55	25,40	5,770	1,06	PHS 41-1BH24
				A	15,88	–	–	–	–	5,770	0,40	PHS 41-1A25
	25	108,20	108,20	B	–	15,88	57,15	82,55	25,40	5,770	1,12	PHS 41-1BH25
				A	15,88	–	–	–	–	5,770	0,43	PHS 41-1A26
	26	112,27	112,27	B	–	15,88	57,15	82,55	25,40	5,770	1,13	PHS 41-1BH26
				A	15,88	–	–	–	–	5,770	0,45	PHS 41-1A27
	27	116,33	116,33	B	–	15,88	57,15	82,55	25,40	5,770	1,16	PHS 41-1BH27
				A	15,88	–	–	–	–	5,770	0,49	PHS 41-1A28
	28	120,40	120,40	B	–	15,88	57,15	82,55	25,40	5,770	1,20	PHS 41-1BH28
				A	15,88	–	–	–	–	5,770	0,54	PHS 41-1A30
	30	128,52	128,52	B	–	15,88	57,15	82,55	25,40	5,770	1,27	PHS 41-1BH30
				A	15,08	–	–	–	–	5,770	0,65	PHS 41-1A32
	32	136,65	136,65	B	–	15,88	57,15	82,55	25,40	5,770	1,34	PHS 41-1BH32
				A	15,08	–	–	–	–	5,770	0,77	PHS 41-1A35
	35	148,84	148,84	B	–	15,88	60,33	82,55	25,40	5,770	1,42	PHS 41-1BH35
				A	15,08	–	–	–	–	5,770	0,83	PHS 41-1A36
	36	152,91	152,91	B	–	15,88	60,33	82,55	25,40	5,770	1,51	PHS 41-1BH36
				A	18,26	–	–	–	–	5,770	1,01	PHS 41-1A40
40	168,91	168,91	B	–	19,05	60,33	82,55	26,99	5,770	1,84	PHS 41-1BH40	
			A	18,26	–	–	–	–	5,770	1,13	PHS 41-1A42	
42	177,04	177,04	B	–	19,05	60,33	88,90	26,99	5,770	1,86	PHS 41-1BH42	
			A	18,26	–	–	–	–	5,770	1,14	PHS 41-1A45	
45	189,23	189,23	B	–	19,05	60,33	88,90	26,99	5,770	1,90	PHS 41-1BH45	
			A	18,26	–	–	–	–	5,770	1,32	PHS 41-1A48	
48	201,42	201,42	B	–	19,05	60,33	88,90	26,99	5,770	2,23	PHS 41-1BH48	
			A	18,26	–	–	–	–	5,770	1,61	PHS 41-1A54	
54	225,55	225,55	B	–	19,05	60,33	88,90	26,99	5,770	2,58	PHS 41-1BH54	
			A	18,26	–	–	–	–	5,770	2,09	PHS 41-1A60	
60	249,94	249,94	B	–	19,05	60,33	88,90	26,99	5,770	3,08	PHS 41-1BH60	
			A	18,26	–	–	–	–	5,770	2,82	PHS 41-1A70	
70	290,32	290,32	B	–	19,05	69,85	101,60	30,16	5,770	4,33	PHS 41-1BH70	
			A	18,26	–	–	–	–	5,770	2,87	PHS 41-1A72	
72	298,45	298,45	B	–	19,05	69,85	101,60	30,16	5,770	4,37	PHS 41-1BH72	

Maximum bores can accommodate standard keyways. Larger bores are available where a shallow keyway is used or no keyway is required. All Type B or C sprockets, up to and including 25 tooth, are with hardened teeth as standard. For any additional size sprockets with hardened teeth, add "H" before the number of teeth, e.g. PHS 25-1BH9.

ANSI sprockets, simplex, pilot bore

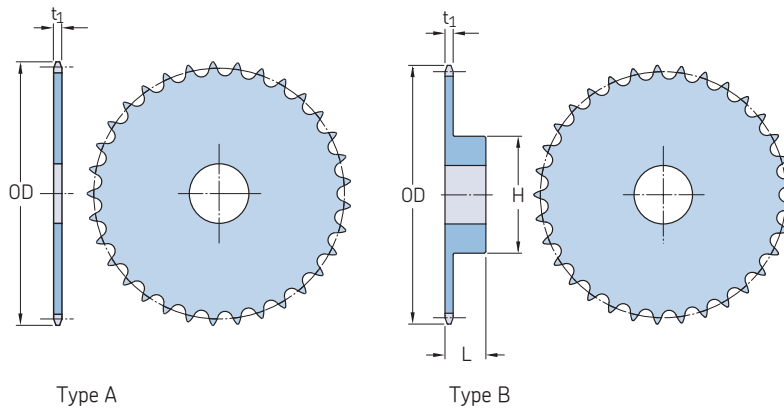
ANSI 41-1 · 12,70 mm (1/2") pitch | ANSI 40-1 · 12,70 mm (1/2") pitch

Pitch		Number of teeth	Outside diameter OD	Type	Dimensions		Hub		Plate thickness t ₁	Mass	Designation	
mm	in.				Bore stock	Bore	H	L				Min.
		–	mm	–	mm				kg	–		
12,70	1/2	80	330,96	A	18,26	–	–	–	5,770	3,84	PHS 41-1A80	
			330,96	B	–	19,05	69,85	101,60	30,16	5,770	5,23	PHS 41-1B80
		84	346,96	A	18,26	–	–	–	–	5,770	4,14	PHS 41-1A84
			346,96	B	–	19,05	69,85	101,60	30,16	5,770	5,53	PHS 41-1B84
		96	395,48	A	23,81	–	–	–	–	5,770	5,37	PHS 41-1A96
			395,48	B	–	25,40	69,85	101,60	30,16	5,770	6,74	PHS 41-1B96
		112	460,25	A	23,81	–	–	–	–	5,770	7,18	PHS 41-1A112
			460,25	B	–	25,40	69,85	101,60	30,16	5,770	8,69	PHS 41-1B112
		8	38,10	B	–	12,70	12,70	24,61	22,23	7,210	0,08	PHS 40-1BH8
		9	42,42	B	–	12,70	14,29	26,99	22,23	7,210	0,09	PHS 40-1BH9
		10	46,74	B	–	12,70	19,05	31,75	22,23	7,210	0,12	PHS 40-1BH10
		11	50,80	B	–	12,70	22,23	34,93	22,23	7,210	0,16	PHS 40-1BH11
		12	55,12	A	12,70	–	–	–	–	7,210	0,08	PHS 40-1A12
			55,12	B	–	12,70	25,40	39,69	22,23	7,210	0,20	PHS 40-1B12
		13	59,18	A	12,70	–	–	–	–	7,210	0,10	PHS 40-1A13
			59,18	B	–	12,70	26,99	39,69	22,23	7,210	0,23	PHS 40-1B13
		14	63,25	A	12,70	–	–	–	–	7,210	0,12	PHS 40-1A14
			63,25	B	–	12,70	28,58	42,86	22,23	7,210	0,27	PHS 40-1B14
		15	67,31	A	15,88	–	–	–	–	7,210	0,14	PHS 40-1A15
			67,31	B	–	12,70	31,75	46,04	22,23	7,210	0,32	PHS 40-1B15
		16	71,37	A	15,88	–	–	–	–	7,210	0,15	PHS 40-1A16
			71,37	B	–	15,88	34,93	50,80	22,23	7,210	0,36	PHS 40-1B16
		17	75,69	A	15,88	–	–	–	–	7,210	0,16	PHS 40-1A17
			75,69	B	–	15,88	36,51	53,98	25,40	7,210	0,47	PHS 40-1B17
		18	79,76	A	15,88	–	–	–	–	7,210	0,20	PHS 40-1A18
			79,76	B	–	15,88	38,10	58,74	25,40	7,210	0,55	PHS 40-1B18
		19	83,82	A	15,88	–	–	–	–	7,210	0,21	PHS 40-1A19
			83,82	B	–	15,88	44,45	63,50	25,40	7,210	0,65	PHS 40-1B19
		20	87,88	A	15,88	–	–	–	–	7,210	0,25	PHS 40-1A20
			87,88	B	–	15,88	47,63	66,68	25,40	7,210	0,71	PHS 40-1B20
		21	91,95	A	15,88	–	–	–	–	7,210	0,26	PHS 40-1A21
			91,95	B	–	15,88	47,63	69,85	25,40	7,210	0,78	PHS 40-1B21
		22	96,01	A	15,88	–	–	–	–	7,210	0,30	PHS 40-1A22
			96,01	B	–	15,88	47,63	73,03	25,40	7,210	0,89	PHS 40-1B22
23	100,08	A	15,88	–	–	–	–	7,210	0,33	PHS 40-1A23		
	100,08	B	–	15,88	50,80	76,20	25,40	7,210	0,97	PHS 40-1B23		
24	104,14	A	15,88	–	–	–	–	7,210	0,37	PHS 40-1A24		
	104,14	B	–	15,88	57,15	82,55	25,40	7,210	1,09	PHS 40-1B24		
25	108,20	A	15,88	–	–	–	–	7,210	0,40	PHS 40-1A25		
	108,20	B	–	15,88	57,15	82,55	25,40	7,210	1,15	PHS 40-1B25		
26	112,27	A	15,88	–	–	–	–	7,210	0,43	PHS 40-1A26		
	112,27	B	–	15,88	57,15	82,55	25,40	7,210	1,17	PHS 40-1B26		
27	116,33	A	15,88	–	–	–	–	7,210	0,44	PHS 40-1A27		
	116,33	B	–	15,88	57,15	82,55	25,40	7,210	1,21	PHS 40-1B27		
28	120,40	A	15,88	–	–	–	–	7,210	0,50	PHS 40-1A28		
	120,40	B	–	15,88	57,15	82,55	25,40	7,210	1,24	PHS 40-1B28		
29	124,46	A	15,08	–	–	–	–	7,210	0,55	PHS 40-1A29		
	124,46	B	–	15,88	57,15	82,55	25,40	7,210	1,27	PHS 40-1B29		
30	128,52	A	15,08	–	–	–	–	7,210	0,57	PHS 40-1A30		
	128,52	B	–	15,88	57,15	82,55	25,40	7,210	1,35	PHS 40-1B30		
31	132,59	A	15,08	–	–	–	–	7,210	0,64	PHS 40-1A31		
	132,59	B	–	15,88	57,15	82,55	25,40	7,210	1,41	PHS 40-1B31		
32	136,65	A	15,08	–	–	–	–	7,210	0,67	PHS 40-1A32		
	136,65	B	–	15,88	57,15	82,55	25,40	7,210	1,43	PHS 40-1B32		
33	140,72	A	15,08	–	–	–	–	7,210	0,71	PHS 40-1A33		
	140,72	B	–	15,88	57,15	82,55	25,40	7,210	1,46	PHS 40-1B33		
34	144,78	A	15,08	–	–	–	–	7,210	0,74	PHS 40-1A34		
	144,78	B	–	15,88	57,15	82,55	25,40	7,210	1,50	PHS 40-1B34		

Maximum bores can accommodate standard keyways. Larger bores are available where a shallow keyway is used or no keyway is required. All Type B or C sprockets, up to and including 25 tooth, are with hardened teeth as standard. For any additional size sprockets with hardened teeth, add "H" before the number of teeth, e.g. PHS 25-1BH9.

ANSI sprockets, simplex, pilot bore

ANSI 40-1 · 12,70 mm (1/2") pitch



Pitch	Number of teeth	Outside diameter	Type	Dimensions		Hub	Plate thickness	Mass	Designation		
				Bore stock	Bore						
		OD			Min.	Max.	H	L	t ₁		
mm	in.	mm		mm					kg		
12,70	1/2	35	A	15,08	-	-	-	-	7,210	0,77	PHS 40-1A35
			B	-	15,88	57,15	82,55	25,40	7,210	1,57	PHS 40-1B35
	36	A	15,08	-	-	-	-	7,210	0,83	PHS 40-1A36	
		B	-	15,88	57,15	82,55	25,40	7,210	1,62	PHS 40-1B36	
	37	A	15,08	-	-	-	-	7,210	0,87	PHS 40-1A37	
		B	-	15,88	57,15	82,55	25,40	7,210	1,64	PHS 40-1B37	
	38	A	15,08	-	-	-	-	7,210	0,91	PHS 40-1A38	
		B	-	15,88	57,15	82,55	25,40	7,210	1,68	PHS 40-1B38	
	39	A	15,08	-	-	-	-	7,210	0,92	PHS 40-1A39	
		B	-	15,88	57,15	82,55	25,40	7,210	1,71	PHS 40-1B39	
	40	A	18,26	-	-	-	-	7,210	1,01	PHS 40-1A40	
		B	-	19,05	60,33	88,90	28,58	7,210	2,13	PHS 40-1B40	
	41	A	18,26	-	-	-	-	7,210	1,10	PHS 40-1A41	
		B	-	19,05	60,33	88,90	28,58	7,210	2,16	PHS 40-1B41	
	42	A	18,26	-	-	-	-	7,210	1,13	PHS 40-1A42	
		B	-	19,05	60,33	88,90	28,58	7,210	2,19	PHS 40-1B42	
	43	A	18,26	-	-	-	-	7,210	1,27	PHS 40-1A43	
		B	-	19,05	60,33	88,90	28,58	7,210	2,32	PHS 40-1B43	
	44	A	18,26	-	-	-	-	7,210	1,29	PHS 40-1A44	
		B	-	19,05	60,33	88,90	28,58	7,210	2,34	PHS 40-1B44	
	45	A	18,26	-	-	-	-	7,210	1,43	PHS 40-1A45	
		B	-	19,05	60,33	88,90	28,58	7,210	2,40	PHS 40-1B45	
	46	A	18,26	-	-	-	-	7,210	1,48	PHS 40-1A46	
		B	-	19,05	60,33	88,90	28,58	7,210	2,53	PHS 40-1B46	
	47	A	18,26	-	-	-	-	7,210	1,51	PHS 40-1A47	
		B	-	19,05	60,33	88,90	28,58	7,210	2,47	PHS 40-1B47	
	48	A	18,26	-	-	-	-	7,210	1,46	PHS 40-1A48	
		B	-	19,05	60,33	88,90	28,58	7,210	2,65	PHS 40-1B48	
	49	A	18,26	-	-	-	-	7,210	1,56	PHS 40-1A49	
		B	-	19,05	60,33	88,90	28,58	7,210	2,68	PHS 40-1B49	
	50	A	18,26	-	-	-	-	7,210	1,64	PHS 40-1A50	
		B	-	19,05	60,33	88,90	28,58	7,210	2,70	PHS 40-1B50	
51	A	18,26	-	-	-	-	7,210	1,79	PHS 40-1A51		
	B	-	19,05	60,33	88,90	28,58	7,210	2,76	PHS 40-1B51		
52	A	18,26	-	-	-	-	7,210	1,85	PHS 40-1A52		
	B	-	19,05	60,33	88,90	28,58	7,210	2,85	PHS 40-1B52		
53	A	18,26	-	-	-	-	7,210	1,83	PHS 40-1A53		
	B	-	19,05	60,33	88,90	28,58	7,210	2,87	PHS 40-1B53		
54	A	18,26	-	-	-	-	7,210	2,01	PHS 40-1A54		
	B	-	19,05	60,33	88,90	28,58	7,210	2,91	PHS 40-1B54		
55	A	18,26	-	-	-	-	7,210	2,06	PHS 40-1A55		
	B	-	19,05	60,33	88,90	28,58	7,210	2,93	PHS 40-1B55		
56	A	18,26	-	-	-	-	7,210	2,20	PHS 40-1A56		

Maximum bores can accommodate standard keyways. Larger bores are available where a shallow keyway is used or no keyway is required. All Type B or C sprockets, up to and including 25 tooth, are with hardened teeth as standard. For any additional size sprockets with hardened teeth, add "H" before the number of teeth, e.g. PHS 25-1BH9.

ANSI sprockets, simplex, pilot bore

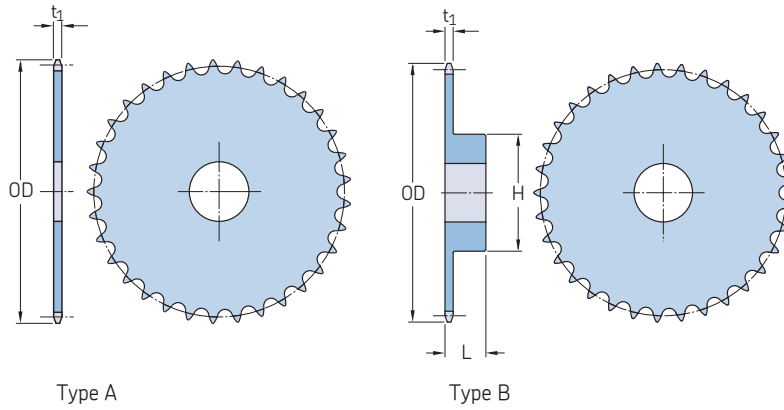
ANSI 40-1 · 12,70 mm (1/2") pitch | ANSI 50-1 · 15,88 mm (5/8") pitch

Pitch		Number of teeth	Outside diameter OD	Type	Dimensions Bore stock	Bore		Hub		Plate thickness t ₁	Mass kg	Designation
mm	in.					Min.	Max.	H	L			
12,70	1/2	56	233,68	B	–	19,05	60,33	88,90	28,58	7,210	3,13	PHS 40-1B56
				A	18,26	–	–	–	–	7,210	2,27	PHS 40-1A57
		57	237,74 237,74	B	–	19,05	60,33	88,90	28,58	7,210	3,18	PHS 40-1B57
				A	18,26	–	–	–	–	7,210	2,32	PHS 40-1A58
		58	241,81 241,81	B	–	19,05	60,33	88,90	28,58	7,210	3,34	PHS 40-1B58
				A	18,26	–	–	–	–	7,210	2,40	PHS 40-1A59
		59	245,87 245,87	B	–	19,05	60,33	88,90	28,58	7,210	3,38	PHS 40-1B59
				A	18,26	–	–	–	–	7,210	2,49	PHS 40-1A60
		60	249,94 249,94	B	–	19,05	60,33	88,90	28,58	7,210	3,57	PHS 40-1B60
				A	18,26	–	–	–	–	7,210	2,49	PHS 40-1A60
		70	290,32 290,32	B	–	19,05	69,85	101,60	31,75	7,210	4,99	PHS 40-1B70
				A	18,26	–	–	–	–	7,210	3,28	PHS 40-1A70
		72	298,45 298,45	B	–	19,05	69,85	101,60	31,75	7,210	5,22	PHS 40-1B72
				A	18,26	–	–	–	–	7,210	3,51	PHS 40-1A72
		80	330,96 330,96	B	–	19,05	69,85	101,60	31,75	7,210	6,08	PHS 40-1B80
				A	18,26	–	–	–	–	7,210	4,63	PHS 40-1A80
		84	346,96 346,96	B	–	19,05	69,85	101,60	31,75	7,210	6,37	PHS 40-1B84
				A	18,26	–	–	–	–	7,210	4,57	PHS 40-1A84
96	395,48 395,48	B	–	25,40	69,85	101,60	31,75	7,210	7,97	PHS 40-1B96		
		A	23,81	–	–	–	–	7,210	5,51	PHS 40-1A96		
112	460,25 460,25	B	–	25,40	69,85	101,60	31,75	7,210	10,23	PHS 40-1B112		
		A	23,81	–	–	–	–	7,210	9,07	PHS 40-1A112		
15,88	5/8	8	47,75	B	–	15,88	15,88	28,58	25,40	8,710	0,11	PHS 50-1BH8
				B	–	15,88	19,05	34,93	25,40	8,710	0,16	PHS 50-1BH9
		9	53,09	B	–	15,88	22,23	39,69	25,40	8,710	0,22	PHS 50-1BH10
				B	–	15,88	25,40	44,45	25,40	8,710	0,29	PHS 50-1BH11
		12	68,83 68,83	B	–	15,88	31,75	50,40	25,40	8,710	0,38	PHS 50-1BH12
				A	15,88	–	–	–	–	8,710	0,15	PHS 50-1A12
		13	73,91 73,91	B	–	15,88	33,34	47,63	25,40	8,710	0,40	PHS 50-1BH13
				A	15,88	–	–	–	–	8,710	0,19	PHS 50-1A13
		14	78,99 78,99	B	–	15,88	36,51	53,98	25,40	8,710	0,51	PHS 50-1BH14
				A	15,88	–	–	–	–	8,710	0,23	PHS 50-1A14
		15	84,33 84,33	B	–	15,88	38,10	60,33	25,40	8,710	0,61	PHS 50-1BH15
				A	15,88	–	–	–	–	8,710	0,24	PHS 50-1A15
		16	89,41 89,41	B	–	15,88	44,45	63,50	25,40	8,710	0,68	PHS 50-1BH16
				A	15,88	–	–	–	–	8,710	0,31	PHS 50-1A16
		17	94,49 94,49	B	–	15,88	47,63	68,26	25,40	8,710	0,79	PHS 50-1BH17
				A	15,88	–	–	–	–	8,710	0,34	PHS 50-1A17
		18	99,57 99,57	B	–	15,88	47,63	73,03	25,40	8,710	0,91	PHS 50-1BH18
				A	15,88	–	–	–	–	8,710	0,39	PHS 50-1A18
		19	104,65 104,65	B	–	15,88	50,80	76,20	25,40	8,710	1,01	PHS 50-1BH19
				A	15,88	–	–	–	–	8,710	0,43	PHS 50-1A19
		20	109,73 109,73	B	–	19,05	50,80	76,20	25,40	8,710	1,03	PHS 50-1BH20
				A	19,05	–	–	–	–	8,710	0,48	PHS 50-1A20
		21	114,81 114,81	B	–	19,05	50,80	76,20	25,40	8,710	1,09	PHS 50-1BH21
				A	19,05	–	–	–	–	8,710	0,51	PHS 50-1A21
		22	119,89 119,89	B	–	19,05	50,80	76,20	25,40	8,710	1,16	PHS 50-1BH22
				A	19,05	–	–	–	–	8,710	0,59	PHS 50-1A22
		23	124,97 124,97	B	–	19,05	50,80	76,20	25,40	8,710	1,21	PHS 50-1BH23
A	19,05			–	–	–	–	8,710	0,65	PHS 50-1A23		
24	130,05 130,05	B	–	19,05	50,80	76,20	31,75	8,710	1,50	PHS 50-1BH24		
		A	18,26	–	–	–	–	8,710	0,68	PHS 50-1A24		
25	135,13 135,13	B	–	19,05	50,80	76,20	31,75	8,710	1,54	PHS 50-1BH25		
		A	18,26	–	–	–	–	8,710	0,73	PHS 50-1A25		
26	140,21 140,21	B	–	19,05	50,80	76,20	31,75	8,710	1,56	PHS 50-1BH26		
		A	18,26	–	–	–	–	8,710	0,78	PHS 50-1A26		
27	145,29 145,29	B	–	19,05	50,80	76,20	31,75	8,710	1,70	PHS 50-1BH27		
		A	18,26	–	–	–	–	8,710	0,89	PHS 50-1A27		

Maximum bores can accommodate standard keyways. Larger bores are available where a shallow keyway is used or no keyway is required. All Type B or C sprockets, up to and including 25 tooth, are with hardened teeth as standard. For any additional size sprockets with hardened teeth, add "H" before the number of teeth, e.g. PHS 25-1BH9.

ANSI sprockets, simplex, pilot bore

ANSI 50-1 · 15,88 mm (5/8") pitch



Pitch	Number of teeth	Outside diameter OD	Type	Dimensions		Hub H	Hub L	Plate thickness t ₁	Mass	Designation
				Bore stock	Bore Min. Max.					
mm	in.	mm	–	mm	mm	mm	mm	mm	kg	–
15,88	5/8	28	A	18,26	–	–	–	8,710	0,93	PHS 50-1A28
			B	–	19,05	50,80	76,20	31,75	8,710	1,72
	29	A	18,26	–	–	–	8,710	1,07	PHS 50-1A29	
		B	–	19,05	50,80	76,20	31,75	8,710	1,84	PHS 50-1B29
	30	A	18,26	–	–	–	8,710	1,15	PHS 50-1A30	
		B	–	19,05	57,15	82,55	31,75	8,710	2,07	PHS 50-1B30
	31	A	18,26	–	–	–	8,710	1,27	PHS 50-1A31	
		B	–	19,05	57,15	82,55	31,75	8,710	2,15	PHS 50-1B31
	32	A	18,26	–	–	–	8,710	1,23	PHS 50-1A32	
		B	–	19,05	57,15	82,55	31,75	8,710	2,25	PHS 50-1B32
	33	A	18,26	–	–	–	8,710	1,42	PHS 50-1A33	
		B	–	19,05	57,15	82,55	31,75	8,710	2,36	PHS 50-1B33
	34	A	18,26	–	–	–	8,710	1,45	PHS 50-1A34	
		B	–	19,05	57,15	82,55	31,75	8,710	2,33	PHS 50-1B34
	35	A	18,26	–	–	–	8,710	1,51	PHS 50-1A35	
		B	–	19,05	57,15	82,55	31,75	8,710	2,47	PHS 50-1B35
	36	A	18,26	–	–	–	8,710	1,73	PHS 50-1A36	
		B	–	19,05	57,15	82,55	31,75	8,710	2,56	PHS 50-1B36
	37	A	18,26	–	–	–	8,710	1,81	PHS 50-1A37	
		B	–	19,05	57,15	82,55	31,75	8,710	2,68	PHS 50-1B37
38	A	18,26	–	–	–	8,710	1,88	PHS 50-1A38		
	B	–	19,05	57,15	82,55	31,75	8,710	2,76	PHS 50-1B38	
39	A	18,26	–	–	–	8,710	2,00	PHS 50-1A39		
	B	–	19,05	57,15	82,55	31,75	8,710	2,86	PHS 50-1B39	
40	A	18,26	–	–	–	8,710	2,02	PHS 50-1A40		
	B	–	19,05	57,15	82,55	31,75	8,710	2,95	PHS 50-1B40	
41	A	18,26	–	–	–	8,710	2,20	PHS 50-1A41		
	B	–	19,05	57,15	82,55	31,75	8,710	3,01	PHS 50-1B41	
42	A	18,26	–	–	–	8,710	2,26	PHS 50-1A42		
	B	–	19,05	57,15	82,55	31,75	8,710	3,16	PHS 50-1B42	
43	A	18,26	–	–	–	8,710	2,38	PHS 50-1A43		
	B	–	19,05	57,15	82,55	31,75	8,710	3,20	PHS 50-1B43	
44	A	18,26	–	–	–	8,710	2,46	PHS 50-1A44		
	B	–	19,05	57,15	82,55	31,75	8,710	3,44	PHS 50-1B44	
45	A	18,26	–	–	–	8,710	2,69	PHS 50-1A45		
	B	–	19,05	63,50	95,25	31,75	8,710	3,89	PHS 50-1B45	
46	A	23,81	–	–	–	8,710	2,91	PHS 50-1A46		
	B	–	25,40	63,50	95,25	31,75	8,710	3,73	PHS 50-1B46	
47	A	23,81	–	–	–	8,710	2,95	PHS 50-1A47		
	B	–	25,40	63,50	95,25	31,75	8,710	3,85	PHS 50-1B47	
48	A	23,81	–	–	–	8,710	2,98	PHS 50-1A48		
	B	–	25,40	63,50	95,25	31,75	8,710	4,21	PHS 50-1B48	
49	256,79	A	23,81	–	–	–	8,710	3,20	PHS 50-1A49	

Maximum bores can accommodate standard keyways. Larger bores are available where a shallow keyway is used or no keyway is required. All Type B or C sprockets, up to and including 25 tooth, are with hardened teeth as standard. For any additional size sprockets with hardened teeth, add "H" before the number of teeth, e.g. PHS 25-1BH9.

ANSI sprockets, simplex, pilot bore

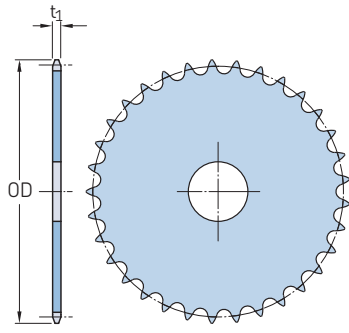
ANSI 50-1 · 15,88 mm (5/8") pitch | ANSI 60-1 · 19,05 mm (3/4") pitch

Pitch		Number of teeth	Outside diameter OD	Type	Dimensions Bore stock	Bore		Hub		Plate thickness t ₁	Mass kg	Designation
mm	in.					Min.	Max.	H	L			
15,88	5/8	49	256,79	B	–	25,40	63,50	95,25	31,75	8,710	4,18	PHS 50-1B49
				A	23,81	–	–	–	–	8,710	3,22	PHS 50-1A50
		50	261,87 261,87	B	–	25,40	63,50	95,25	31,75	8,710	4,48	PHS 50-1B50
				A	23,81	–	–	–	–	8,710	3,32	PHS 50-1A51
		51	266,95 266,95	B	–	25,40	63,50	95,25	31,75	8,710	4,40	PHS 50-1B51
				A	23,81	–	–	–	–	8,710	3,32	PHS 50-1A51
		52	272,03 272,03	B	–	25,40	63,50	95,25	31,75	8,710	4,64	PHS 50-1B52
				A	23,81	–	–	–	–	8,710	3,62	PHS 50-1A52
		53	277,11 277,11	B	–	25,40	63,50	95,25	31,75	8,710	4,75	PHS 50-1B53
				A	23,81	–	–	–	–	8,710	3,67	PHS 50-1A53
		54	282,19 282,19	B	–	25,40	63,50	95,25	31,75	8,710	4,99	PHS 50-1B54
				A	23,81	–	–	–	–	8,710	3,76	PHS 50-1A54
		55	287,27 287,27	B	–	25,40	63,50	95,25	31,75	8,710	4,96	PHS 50-1B55
				A	23,81	–	–	–	–	8,710	3,88	PHS 50-1A55
		56	292,10 292,10	B	–	25,40	63,50	95,25	31,75	8,710	5,22	PHS 50-1B56
				A	23,81	–	–	–	–	8,710	4,04	PHS 50-1A56
		57	297,18 297,18	B	–	25,40	63,50	95,25	31,75	8,710	5,44	PHS 50-1B57
				A	23,81	–	–	–	–	8,710	4,25	PHS 50-1A57
		58	302,26 302,26	B	–	25,40	63,50	95,25	31,75	8,710	5,36	PHS 50-1B58
				A	23,81	–	–	–	–	8,710	4,67	PHS 50-1A58
		59	307,34 307,34	B	–	25,40	63,50	95,25	31,75	8,710	5,59	PHS 50-1B59
				A	23,81	–	–	–	–	8,710	4,76	PHS 50-1A59
		60	312,42 312,42	B	–	25,40	63,50	95,25	31,75	8,710	5,90	PHS 50-1B60
				A	23,81	–	–	–	–	8,710	4,90	PHS 50-1A60
70	362,97 362,97	B	–	25,40	63,50	95,25	44,45	8,710	8,24	PHS 50-1B70		
		A	23,81	–	–	–	–	8,710	6,35	PHS 50-1A70		
72	373,13 373,13	B	–	25,40	63,50	95,25	44,45	8,710	8,84	PHS 50-1B72		
		A	23,81	–	–	–	–	8,710	6,91	PHS 50-1A72		
76	393,45 393,45	B	–	25,40	63,50	95,25	44,45	8,710	9,53	PHS 50-1B76		
		A	23,81	–	–	–	–	8,710	9,11	PHS 50-1A76		
80	413,51 413,51	B	–	25,40	69,85	107,95	44,45	8,710	11,22	PHS 50-1B80		
		A	23,81	–	–	–	–	8,710	9,53	PHS 50-1A80		
84	433,83 433,83	B	–	25,40	69,85	107,95	44,45	8,710	11,57	PHS 50-1B84		
		A	23,81	–	–	–	–	8,710	10,02	PHS 50-1A84		
95	489,46 489,46	B	–	25,40	69,85	107,95	44,45	8,710	14,51	PHS 50-1B95		
		A	23,81	–	–	–	–	8,710	12,25	PHS 50-1A95		
96	494,54 494,54	B	–	25,40	69,85	107,95	44,45	8,710	14,93	PHS 50-1B96		
		A	23,81	–	–	–	–	8,710	12,43	PHS 50-1A96		
112	575,31 575,31	B	–	25,40	69,85	107,95	44,45	8,710	19,05	PHS 50-1B112		
		A	23,81	–	–	–	–	8,710	17,10	PHS 50-1A112		
19,05	3/4	8	57,40	B	–	15,88	15,88	37,31	31,75	11,660	0,24	PHS 60-1BH8
				A	–	–	–	–	–	11,660	0,20	PHS 60-1A10
		9	63,75	B	–	19,05	22,23	39,69	31,75	11,660	0,29	PHS 60-1BH9
				A	19,05	–	–	–	–	11,660	0,20	PHS 60-1A10
		10	70,10 70,10	B	–	19,05	28,58	49,21	31,75	11,660	0,45	PHS 60-1BH10
				A	19,05	–	–	–	–	11,660	0,24	PHS 60-1A11
		11	76,20 76,20	B	–	19,05	33,34	52,39	31,75	11,660	0,53	PHS 60-1BH11
				A	19,05	–	–	–	–	11,660	0,24	PHS 60-1A11
		12	82,55 82,55	B	–	19,05	34,93	60,33	31,75	11,660	0,67	PHS 60-1BH12
				A	19,05	–	–	–	–	11,660	0,31	PHS 60-1A12
		13	88,65 88,65	B	–	19,05	38,10	59,53	31,75	11,660	0,75	PHS 60-1BH13
				A	19,05	–	–	–	–	11,660	0,36	PHS 60-1A13
		14	95,00 95,00	B	–	19,05	44,45	65,09	31,75	11,660	0,91	PHS 60-1BH14
				A	19,05	–	–	–	–	11,660	0,43	PHS 60-1A14
		15	101,09 101,09	B	–	19,05	47,63	73,03	31,75	11,660	1,14	PHS 60-1BH15
				A	19,05	–	–	–	–	11,660	0,49	PHS 60-1A15
		16	107,19 107,19	B	–	19,05	50,80	77,79	31,75	11,660	1,27	PHS 60-1BH16
				A	19,05	–	–	–	–	11,660	0,56	PHS 60-1A16
17	113,28 113,28	B	–	19,05	57,15	82,55	31,75	11,660	1,46	PHS 60-1BH17		
		A	19,05	–	–	–	–	11,660	0,65	PHS 60-1A17		
18	119,38	A	19,05	–	–	–	–	11,660	0,73	PHS 60-1A18		

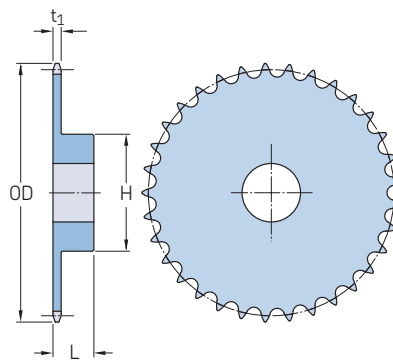
Maximum bores can accommodate standard keyways. Larger bores are available where a shallow keyway is used or no keyway is required. All Type B or C sprockets, up to and including 25 tooth, are with hardened teeth as standard. For any additional size sprockets with hardened teeth, add "H" before the number of teeth, e.g. PHS 25-1BH9.

ANSI sprockets, simplex, pilot bore

ANSI 60-1 · 19,05 mm (3/4") pitch



Type A



Type B

Pitch	Number of teeth	Outside diameter	Type	Dimensions		Hub	Plate thickness	Mass	Designation			
				Bore stock	Bore							
		OD			Min.	Max.	H	L	t ₁			
mm	in.	mm		mm					kg			
19,05	3/4	119,38	B	–	19,05	60,33	88,90	31,75	11,660	1,69	PHS 60-1BH18	
			A	19,05	–	–	–	–	11,660	0,83	PHS 60-1A19	
	B	–	19,05	60,33	88,90	31,75	11,660	1,78	PHS 60-1BH19			
	20	131,83	131,83	A	19,05	–	–	–	–	11,660	0,96	PHS 60-1A20
				B	–	19,05	66,68	98,43	31,75	11,660	2,10	PHS 60-1BH20
	21	137,92	137,92	A	19,05	–	–	–	–	11,660	1,03	PHS 60-1A21
				B	–	19,05	69,85	101,60	31,75	11,660	2,27	PHS 60-1BH21
	22	144,02	144,02	A	19,05	–	–	–	–	11,660	1,12	PHS 60-1A22
				B	–	19,05	69,85	101,60	31,75	11,660	2,38	PHS 60-1BH22
	23	150,11	150,11	A	19,05	–	–	–	–	11,660	1,22	PHS 60-1A23
				B	–	19,05	69,85	101,60	31,75	11,660	2,49	PHS 60-1BH23
	24	156,21	156,21	A	18,26	–	–	–	–	11,660	1,36	PHS 60-1A24
				B	–	19,05	69,85	101,60	31,75	11,660	2,62	PHS 60-1BH24
	25	162,31	162,31	A	18,26	–	–	–	–	11,660	1,51	PHS 60-1A25
				B	–	19,05	69,85	101,60	31,75	11,660	2,78	PHS 60-1BH25
	26	168,40	168,40	A	18,26	–	–	–	–	11,660	1,61	PHS 60-1A26
				B	–	19,05	69,85	101,60	31,75	11,660	2,89	PHS 60-1B26
	27	174,50	174,50	A	18,26	–	–	–	–	11,660	1,80	PHS 60-1A27
				B	–	19,05	69,85	101,60	31,75	11,660	3,05	PHS 60-1B27
	28	180,59	180,59	A	18,26	–	–	–	–	11,660	1,88	PHS 60-1A28
				B	–	19,05	69,85	101,60	31,75	11,660	3,12	PHS 60-1B28
	29	186,69	186,69	A	18,26	–	–	–	–	11,660	2,00	PHS 60-1A29
				B	–	19,05	69,85	101,60	31,75	11,660	3,30	PHS 60-1B29
	30	192,79	192,79	A	18,26	–	–	–	–	11,660	2,17	PHS 60-1A30
				B	–	19,05	69,85	101,60	31,75	11,660	3,44	PHS 60-1B30
	31	198,88	198,88	A	18,26	–	–	–	–	11,660	2,38	PHS 60-1A31
				B	–	19,05	69,85	101,60	31,75	11,660	3,50	PHS 60-1B31
	32	204,98	204,98	A	18,26	–	–	–	–	11,660	2,50	PHS 60-1A32
				B	–	19,05	69,85	101,60	31,75	11,660	3,75	PHS 60-1B32
	33	210,82	210,82	A	23,81	–	–	–	–	11,660	2,66	PHS 60-1A33
				B	–	25,40	69,85	101,60	31,75	11,660	3,82	PHS 60-1B33
	34	216,92	216,92	A	23,81	–	–	–	–	11,660	2,79	PHS 60-1A34
				B	–	25,40	69,85	101,60	31,75	11,660	3,99	PHS 60-1B34
	35	223,01	223,01	A	23,81	–	–	–	–	11,660	3,08	PHS 60-1A35
				B	–	25,40	69,85	101,60	31,75	11,660	4,10	PHS 60-1B35
	36	229,11	229,11	A	23,81	–	–	–	–	11,660	3,09	PHS 60-1A36
				B	–	25,40	69,85	101,60	31,75	11,660	4,35	PHS 60-1B36
	37	235,20	235,20	A	23,81	–	–	–	–	11,660	3,41	PHS 60-1A37
				B	–	25,40	69,85	101,60	31,75	11,660	4,64	PHS 60-1B37
38	241,30	241,30	A	23,81	–	–	–	–	11,660	3,56	PHS 60-1A38	
			B	–	25,40	69,85	107,95	31,75	11,660	4,92	PHS 60-1B38	
39	247,40	247,40	A	23,81	–	–	–	–	11,660	3,76	PHS 60-1A39	
			B	–	25,40	69,85	107,95	31,75	11,660	5,15	PHS 60-1B39	

Maximum bores can accommodate standard keyways. Larger bores are available where a shallow keyway is used or no keyway is required. All Type B or C sprockets, up to and including 25 tooth, are with hardened teeth as standard. For any additional size sprockets with hardened teeth, add "H" before the number of teeth, e.g. PHS 25-1BH9.

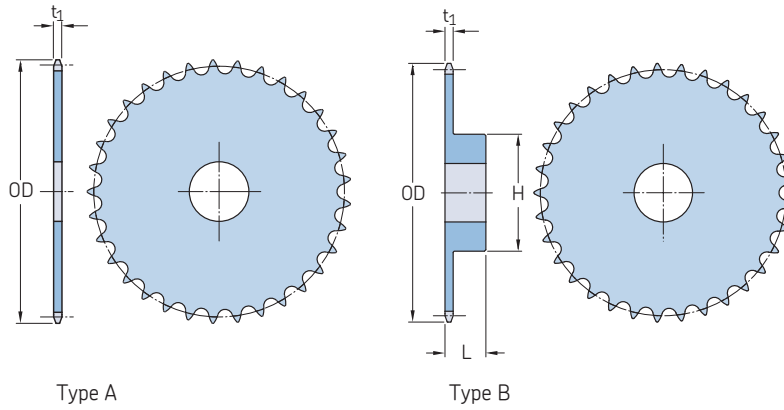
ANSI sprockets, simplex, pilot bore
ANSI 60-1 · 19,05 mm ($\frac{3}{4}$ " pitch)

Pitch		Number of teeth	Outside diameter OD	Type	Dimensions		Hub			Plate thickness t ₁	Mass kg	Designation	
mm	in.				Bore stock	Bore	H	L	Min.				Max.
19,05	$\frac{3}{4}$	40	253,49	A	23,81	–	–	–	–	11,660	3,88	PHS 60-1A40	
			253,49	B	–	25,40	69,85	107,95	31,75	11,660	5,22	PHS 60-1B40	
		41	259,59	A	23,81	–	–	–	–	–	11,660	4,13	PHS 60-1A41
			259,59	B	–	25,40	69,85	107,95	31,75	11,660	5,51	PHS 60-1B41	
		42	265,68	A	23,81	–	–	–	–	–	11,660	4,46	PHS 60-1A42
			265,68	B	–	25,40	69,85	107,95	31,75	11,660	5,78	PHS 60-1B42	
		43	271,78	A	23,81	–	–	–	–	–	11,660	4,42	PHS 60-1A43
			271,78	B	–	25,40	69,85	107,95	31,75	11,660	5,90	PHS 60-1B43	
		44	277,88	A	23,81	–	–	–	–	–	11,660	4,88	PHS 60-1A44
			277,88	B	–	23,81	69,85	107,95	31,75	11,660	6,30	PHS 60-1B44	
		45	283,97	A	23,81	–	–	–	–	–	11,660	5,03	PHS 60-1A45
			283,97	B	–	23,81	69,85	107,95	31,75	11,660	6,34	PHS 60-1B45	
		46	290,07	A	23,81	–	–	–	–	–	11,660	5,22	PHS 60-1A46
			290,07	B	–	23,81	69,85	107,95	31,75	11,660	6,62	PHS 60-1B46	
		47	295,91	A	23,81	–	–	–	–	–	11,660	5,59	PHS 60-1A47
			295,91	B	–	23,81	69,85	107,95	31,75	11,660	6,80	PHS 60-1B47	
		48	302,01	A	23,81	–	–	–	–	–	11,660	5,63	PHS 60-1A48
			302,01	B	–	23,81	69,85	107,95	31,75	11,660	7,18	PHS 60-1B48	
		49	308,10	A	23,81	–	–	–	–	–	11,660	5,86	PHS 60-1A49
			308,10	B	–	23,81	69,85	107,95	31,75	11,660	7,21	PHS 60-1B49	
		50	314,20	A	23,81	–	–	–	–	–	11,660	6,34	PHS 60-1A50
			314,20	B	–	23,81	69,85	107,95	31,75	11,660	8,01	PHS 60-1B50	
		51	320,29	A	23,81	–	–	–	–	–	11,660	6,61	PHS 60-1A51
			320,29	B	–	23,81	69,85	107,95	31,75	11,660	7,70	PHS 60-1B51	
		52	326,39	A	23,81	–	–	–	–	–	11,660	6,62	PHS 60-1A52
			326,39	B	–	23,81	69,85	107,95	31,75	11,660	8,13	PHS 60-1B52	
		53	332,49	A	23,81	–	–	–	–	–	11,660	7,18	PHS 60-1A53
			332,49	B	–	23,81	69,85	107,95	31,75	11,660	8,16	PHS 60-1B53	
		54	338,58	A	23,81	–	–	–	–	–	11,660	7,22	PHS 60-1A54
			338,58	B	–	23,81	69,85	107,95	44,45	11,660	9,80	PHS 60-1B54	
		55	344,68	A	31,75	–	–	–	–	–	11,660	7,69	PHS 60-1A55
			344,68	B	–	31,75	69,85	107,95	44,45	11,660	9,59	PHS 60-1B55	
		56	350,77	A	31,75	–	–	–	–	–	11,660	7,98	PHS 60-1A56
			350,77	B	–	31,75	69,85	107,95	44,45	11,660	9,92	PHS 60-1B56	
		57	356,62	A	31,75	–	–	–	–	–	11,660	7,99	PHS 60-1A57
			356,62	B	–	31,75	69,85	107,95	44,45	11,660	10,10	PHS 60-1B57	
		58	362,71	A	31,75	–	–	–	–	–	11,660	8,62	PHS 60-1A58
			362,71	B	–	31,75	69,85	107,95	44,45	11,660	10,34	PHS 60-1B58	
		59	368,81	A	31,75	–	–	–	–	–	11,660	8,71	PHS 60-1A59
			368,81	B	–	31,75	69,85	107,95	44,45	11,660	10,82	PHS 60-1B59	
60	374,90	A	31,75	–	–	–	–	–	11,660	9,08	PHS 60-1A60		
	374,90	B	–	31,75	69,85	107,95	44,45	11,660	11,44	PHS 60-1B60			
64	399,29	A	31,75	–	–	–	–	–	11,660	10,43	PHS 60-1A64		
	399,29	B	–	31,75	69,85	107,95	44,45	11,660	12,43	PHS 60-1B64			
65	405,38	A	31,75	–	–	–	–	–	11,660	10,54	PHS 60-1A65		
	405,38	B	–	31,75	69,85	107,95	44,45	11,660	13,12	PHS 60-1B65			
66	–	A	31,75	–	–	–	–	–	11,660	11,08	PHS 60-1A66		
68	423,42	A	31,75	–	–	–	–	–	11,660	11,58	PHS 60-1A68		
	423,42	B	–	31,75	69,85	107,95	44,45	11,660	13,78	PHS 60-1B68			
70	435,61	A	31,75	–	–	–	–	–	11,660	12,34	PHS 60-1A70		
	435,61	B	–	31,75	69,85	107,95	44,45	11,660	14,51	PHS 60-1B70			
72	447,80	A	31,75	–	–	–	–	–	11,660	13,11	PHS 60-1A72		
	447,80	B	–	31,75	69,85	107,95	50,80	11,660	15,50	PHS 60-1B72			
76	471,93	A	31,75	–	–	–	–	–	11,660	14,67	PHS 60-1A76		
	471,93	B	–	31,75	69,85	107,95	50,80	11,660	17,26	PHS 60-1B76			
80	496,32	A	31,75	–	–	–	–	–	11,660	20,64	PHS 60-1A80		
	496,32	B	–	31,75	69,85	107,95	50,80	11,660	19,00	PHS 60-1B80			
84	520,45	A	31,75	–	–	–	–	–	11,660	18,23	PHS 60-1A84		
	520,45	B	–	31,75	82,55	120,65	50,80	11,660	21,07	PHS 60-1B84			

Maximum bores can accommodate standard keyways. Larger bores are available where a shallow keyway is used or no keyway is required. All Type B or C sprockets, up to and including 25 tooth, are with hardened teeth as standard. For any additional size sprockets with hardened teeth, add "H" before the number of teeth, e.g. PHS 25-1BH9.

ANSI sprockets, simplex, pilot bore

ANSI 60-1 · 19,05 mm (3/4") pitch | ANSI 80-1 · 25,40 mm (1") pitch



Pitch	Number of teeth	Outside diameter	Type	Dimensions		Hub	Plate thickness	Mass	Designation		
				Bore stock	Bore						
		OD			Min.	Max.	H	L	t ₁		
mm	in.	mm		mm					kg		
19,05	3/4	90	A	31,75	-	-	-	-	11,660	19,70	PHS 60-1A90
			B	-	31,75	84,14	127,00	57,15	11,660	28,67	PHS 60-1B90
	96	A	31,75	-	-	-	-	11,660	23,60	PHS 60-1A96	
		B	-	31,75	95,25	139,70	57,15	11,660	28,61	PHS 60-1B96	
	112	A	31,75	-	-	-	-	11,660	32,11	PHS 60-1A112	
		B	-	31,75	95,25	139,70	57,15	11,660	37,09	PHS 60-1B112	
25,40	1	8	B	-	25,40	25,40	49,21	41,28	14,600	0,64	PHS 80-1BH8
			A	23,81	-	-	-	-	14,600	0,36	PHS 80-1A9
		9	A	23,81	-	-	-	-	14,600	0,73	PHS 80-1A9
			B	-	25,40	33,34	57,15	41,28	14,600	0,73	PHS 80-1BH9
		10	A	23,81	-	-	-	-	14,600	0,45	PHS 80-1A10
			B	-	25,40	38,10	65,09	41,28	14,600	1,00	PHS 80-1BH10
		11	A	23,81	-	-	-	-	14,600	0,59	PHS 80-1A11
			B	-	25,40	41,28	71,44	41,28	14,600	1,45	PHS 80-1BH11
		12	A	23,81	-	-	-	-	14,600	0,68	PHS 80-1A12
			B	-	25,40	47,63	79,38	41,28	14,600	1,54	PHS 80-1BH12
		13	A	23,81	-	-	-	-	14,600	0,82	PHS 80-1A13
			B	-	25,40	50,80	76,20	38,10	14,600	1,59	PHS 80-1BH13
		14	A	23,81	-	-	-	-	14,600	1,00	PHS 80-1A14
			B	-	25,40	57,15	82,55	38,10	14,600	1,86	PHS 80-1BH14
		15	A	23,81	-	-	-	-	14,600	1,13	PHS 80-1A15
			B	-	25,40	63,50	96,84	38,10	14,600	2,40	PHS 80-1BH15
		16	A	23,81	-	-	-	-	14,600	1,32	PHS 80-1A16
			B	-	25,40	69,85	101,60	38,10	14,600	2,68	PHS 80-1BH16
		17	A	23,81	-	-	-	-	14,600	1,50	PHS 80-1A17
			B	-	25,40	69,85	101,60	38,10	14,600	2,99	PHS 80-1BH17
		18	A	23,81	-	-	-	-	14,600	1,68	PHS 80-1A18
			B	-	25,40	69,85	107,95	38,10	14,600	3,31	PHS 80-1BH18
		19	A	23,81	-	-	-	-	14,600	1,86	PHS 80-1A19
			B	-	25,40	69,85	107,95	38,10	14,600	3,54	PHS 80-1BH19
		20	A	23,81	-	-	-	-	14,600	2,13	PHS 80-1A20
			B	-	25,40	69,85	107,95	38,10	14,600	3,81	PHS 80-1BH20
21	A	23,81	-	-	-	-	14,600	2,22	PHS 80-1A21		
	B	-	25,40	69,85	107,95	44,45	14,600	4,26	PHS 80-1BH21		
22	A	23,81	-	-	-	-	14,600	2,49	PHS 80-1A22		
	B	-	25,40	69,85	107,95	44,45	14,600	4,54	PHS 80-1BH22		
23	A	23,81	-	-	-	-	14,600	2,86	PHS 80-1A23		
	B	-	25,40	69,85	107,95	44,45	14,600	4,85	PHS 80-1BH23		
24	A	23,81	-	-	-	-	14,600	3,04	PHS 80-1A24		
	B	-	25,40	69,85	107,95	44,45	14,600	5,13	PHS 80-1BH24		
25	A	23,81	-	-	-	-	14,600	3,27	PHS 80-1A25		
	B	-	25,40	69,85	107,95	44,45	14,600	5,40	PHS 80-1BH25		
26	A	30,16	-	-	-	-	14,600	3,54	PHS 80-1A26		
	B	-	31,75	82,55	120,65	50,80	14,600	6,49	PHS 80-1B26		

Maximum bores can accommodate standard keyways. Larger bores are available where a shallow keyway is used or no keyway is required. All Type B or C sprockets, up to and including 25 tooth, are with hardened teeth as standard. For any additional size sprockets with hardened teeth, add "H" before the number of teeth, e.g. PHS 25-1BH9.

ANSI sprockets, simplex, pilot bore

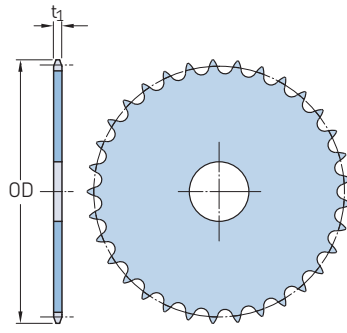
ANSI 80-1 · 25,40 mm (1") pitch

Pitch		Number of teeth	Outside diameter OD	Type	Dimensions		Hub		Plate thickness t ₁	Mass kg	Designation		
mm	in.				Bore stock	Bore	H	L					
					Min.	Max.							
25,40	1	27	232,66	A	30,16	–	–	–	–	14,600	3,90	PHS 80-1A27	
			232,66	B	–	31,75	82,55	120,65	50,80	14,600	6,99	PHS 80-1B27	
		28	240,79	A	30,16	–	–	–	–	–	14,600	4,22	PHS 80-1A28
			240,79	B	–	31,75	82,55	120,65	50,80	14,600	7,26	PHS 80-1B28	
		29	248,92	A	30,16	–	–	–	–	–	14,600	4,45	PHS 80-1A29
			248,92	B	–	30,16	82,55	120,65	50,80	14,600	7,76	PHS 80-1B29	
		30	256,79	A	30,16	–	–	–	–	–	14,600	4,85	PHS 80-1A30
			256,79	B	–	30,16	82,55	120,65	50,80	14,600	7,89	PHS 80-1B30	
		31	264,92	A	30,16	–	–	–	–	–	14,600	5,13	PHS 80-1A31
			264,92	B	–	30,16	82,55	120,65	50,80	14,600	8,48	PHS 80-1B31	
		32	273,05	A	30,16	–	–	–	–	–	14,600	5,49	PHS 80-1A32
			273,05	B	–	30,16	82,55	120,65	50,80	14,600	8,85	PHS 80-1B32	
		33	281,18	A	30,16	–	–	–	–	–	14,600	6,17	PHS 80-1A33
			281,18	B	–	30,16	82,55	120,65	50,80	14,600	8,89	PHS 80-1B33	
		34	289,31	A	30,16	–	–	–	–	–	14,600	6,49	PHS 80-1A34
			289,31	B	–	30,16	82,55	120,65	50,80	14,600	9,66	PHS 80-1B34	
		35	297,43	A	30,16	–	–	–	–	–	14,600	6,71	PHS 80-1A35
			297,43	B	–	30,16	82,55	120,65	50,80	14,600	10,02	PHS 80-1B35	
		36	305,56	A	30,16	–	–	–	–	–	14,600	7,30	PHS 80-1A36
			305,56	B	–	30,16	82,55	120,65	50,80	14,600	10,48	PHS 80-1B36	
		37	313,69	A	30,16	–	–	–	–	–	14,600	7,62	PHS 80-1A37
			313,69	B	–	30,16	82,55	120,65	50,80	14,600	10,80	PHS 80-1B37	
		38	321,82	A	30,16	–	–	–	–	–	14,600	7,80	PHS 80-1A38
			321,82	B	–	30,16	82,55	120,65	50,80	14,600	11,20	PHS 80-1B38	
		39	329,95	A	30,16	–	–	–	–	–	14,600	8,12	PHS 80-1A39
			329,95	B	–	30,16	82,55	120,65	50,80	14,600	11,61	PHS 80-1B39	
		40	338,07	A	30,16	–	–	–	–	–	14,600	8,57	PHS 80-1A40
			338,07	B	–	30,16	82,55	120,65	50,80	14,600	12,11	PHS 80-1B40	
		41	346,20	A	31,75	–	–	–	–	–	14,600	9,53	PHS 80-1A41
			346,20	B	–	31,75	82,55	120,65	50,80	14,600	12,61	PHS 80-1B41	
		42	354,08	A	31,75	–	–	–	–	–	14,600	9,89	PHS 80-1A42
			354,08	B	–	31,75	82,55	120,65	50,80	14,600	13,02	PHS 80-1B42	
		43	362,20	A	31,75	–	–	–	–	–	14,600	10,70	PHS 80-1A43
			362,20	B	–	31,75	82,55	120,65	50,80	14,600	13,34	PHS 80-1B43	
		44	370,33	A	31,75	–	–	–	–	–	14,600	11,02	PHS 80-1A44
			370,33	B	–	31,75	82,55	120,65	50,80	14,600	13,56	PHS 80-1B44	
		45	378,46	A	31,75	–	–	–	–	–	14,600	11,43	PHS 80-1A45
			378,46	B	–	31,75	82,55	120,65	50,80	14,600	14,24	PHS 80-1B45	
		46	386,59	A	31,75	–	–	–	–	–	14,600	12,07	PHS 80-1A46
			386,59	B	–	31,75	82,55	120,65	50,80	14,600	15,01	PHS 80-1B46	
		47	394,72	A	31,75	–	–	–	–	–	14,600	11,97	PHS 80-1A47
			394,72	B	–	31,75	82,55	120,65	50,80	14,600	15,42	PHS 80-1B47	
		48	402,84	A	31,75	–	–	–	–	–	14,600	12,61	PHS 80-1A48
			402,84	B	–	31,75	82,55	120,65	50,80	14,600	16,10	PHS 80-1B48	
		49	410,97	A	31,75	–	–	–	–	–	14,600	13,11	PHS 80-1A49
			410,97	B	–	31,75	82,55	120,65	50,80	14,600	16,24	PHS 80-1B49	
		50	419,10	A	31,75	–	–	–	–	–	14,600	14,02	PHS 80-1A50
			419,10	B	–	31,75	82,55	120,65	50,80	14,600	16,92	PHS 80-1B50	
		51	426,97	A	31,75	–	–	–	–	–	14,600	14,61	PHS 80-1A51
			426,97	B	–	31,75	82,55	120,65	50,80	14,600	17,51	PHS 80-1B51	
		52	435,10	A	31,75	–	–	–	–	–	14,600	14,97	PHS 80-1A52
			435,10	B	–	31,75	82,55	120,65	50,80	14,600	17,87	PHS 80-1B52	
		53	443,23	A	31,75	–	–	–	–	–	14,600	15,83	PHS 80-1A53
			443,23	B	–	31,75	82,55	120,65	50,80	14,600	18,73	PHS 80-1B53	
		54	451,36	A	31,75	–	–	–	–	–	14,600	16,60	PHS 80-1A54
			451,36	B	–	31,75	88,90	133,35	50,80	14,600	20,28	PHS 80-1B54	
55	459,49	A	31,75	–	–	–	–	–	14,600	17,01	PHS 80-1A55		
	459,49	B	–	31,75	88,90	133,35	50,80	14,600	20,68	PHS 80-1B55			
56		56	467,61	A	31,75	–	–	–	–	14,600	17,87	PHS 80-1A56	

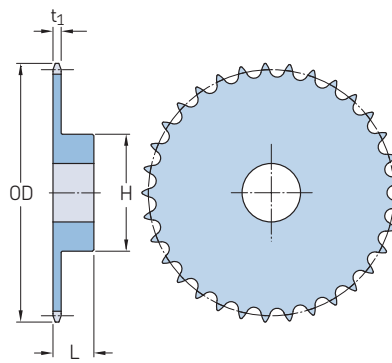
Maximum bores can accommodate standard keyways. Larger bores are available where a shallow keyway is used or no keyway is required. All Type B or C sprockets, up to and including 25 tooth, are with hardened teeth as standard. For any additional size sprockets with hardened teeth, add "H" before the number of teeth, e.g. PHS 25-1BH9.

ANSI sprockets, simplex, pilot bore

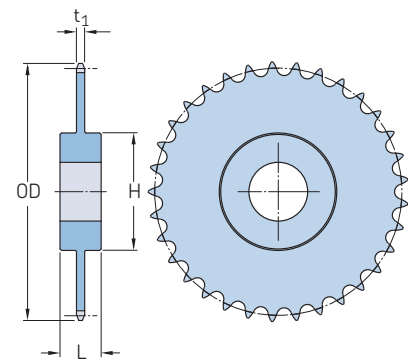
ANSI 80-1 · 25,40 mm (1") pitch | ANSI 100-1 · 31,75 mm (1¼") pitch



Type A



Type B



Type C

Pitch		Number of teeth	Outside diameter OD	Type	Dimensions		Bore stock	Bore		Hub		Plate thickness t ₁	Mass	Designation
mm	in.				mm	mm		Min.	Max.	H	L			
25,40	1	56	467,61	B	–	31,75	88,90	133,35	50,80	14,600	21,55	PHS 80-1B56		
				A	31,75	–	–	–	–	14,600	18,33	PHS 80-1A57		
		57	475,74	B	–	31,75	88,90	133,35	50,80	14,600	22,00	PHS 80-1B57		
				A	31,75	–	–	–	–	14,600	18,73	PHS 80-1A58		
		58	483,62	B	–	31,75	88,90	133,35	50,80	14,600	22,91	PHS 80-1B58		
				A	31,75	–	–	–	–	14,600	19,46	PHS 80-1A59		
		59	491,74	B	–	31,75	88,90	133,35	50,80	14,600	23,63	PHS 80-1B59		
				A	31,75	–	–	–	–	14,600	20,55	PHS 80-1A60		
		60	499,87	B	–	31,75	88,90	133,35	50,80	14,600	24,72	PHS 80-1B60		
				A	31,75	–	–	–	–	14,600	23,68	PHS 80-1A65		
		65	540,26	B	–	31,75	88,90	133,35	50,80	14,600	28,03	PHS 80-1B65		
				A	31,75	–	–	–	–	14,600	27,12	PHS 80-1A70		
		70	580,90	C	–	38,10	107,95	158,75	88,90	14,600	34,34	PHS 80-1C70		
				A	38,10	–	–	–	–	14,600	29,80	PHS 80-1A72		
		72	596,90	C	–	38,10	107,95	158,75	88,90	14,600	36,92	PHS 80-1C72		
				A	38,10	–	–	–	–	14,600	31,84	PHS 80-1A76		
		76	629,41	C	–	38,10	107,95	158,75	88,90	14,600	39,83	PHS 80-1C76		
				A	38,10	–	–	–	–	14,600	36,11	PHS 80-1A80		
		80	661,67	C	–	38,10	107,95	158,75	88,90	14,600	40,78	PHS 80-1C80		
				A	38,10	–	–	–	–	14,600	39,05	PHS 80-1A84		
84	694,18	C	–	38,10	107,95	158,75	88,90	14,600	45,00	PHS 80-1C84				
		A	38,10	–	–	–	–	14,600	45,81	PHS 80-1A90				
90	742,70	C	–	38,10	107,95	158,75	88,90	14,600	48,08	PHS 80-1C90				
		A	38,10	–	–	–	–	14,600	54,43	PHS 80-1A96				
96	791,21	C	–	38,10	107,95	158,75	88,90	14,600	53,07	PHS 80-1C96				
		A	38,10	–	–	–	–	14,600	74,84	PHS 80-1A112				
112	920,50	C	–	38,10	107,95	158,75	88,90	14,600	69,85	PHS 80-1C112				
		A	38,10	–	–	–	–	14,600	0,54	PHS 100-1A7				
31,75	1¼	7	85,09	A	25,40	–	–	–	–	17,580	0,54	PHS 100-1A7		
				B	–	25,40	31,75	61,91	47,63	17,580	0,64	PHS 100-1A8		
		8	95,76	B	–	25,40	31,75	61,91	47,63	17,580	1,04	PHS 100-1BH8		
				A	25,40	–	–	–	–	17,580	0,73	PHS 100-1A9		
		9	106,17	B	–	25,40	41,28	71,44	47,63	17,580	1,45	PHS 100-1BH9		
				A	25,40	–	–	–	–	17,580	0,91	PHS 100-1A10		
		10	116,84	B	–	25,40	47,63	82,55	47,63	17,580	1,86	PHS 100-1BH10		
				A	31,75	–	–	–	–	17,580	1,13	PHS 100-1A11		
		11	127,25	B	–	25,40	57,15	90,49	47,63	17,580	2,40	PHS 100-1BH11		
				A	31,75	–	–	–	–	17,580	1,36	PHS 100-1A12		
		12	137,67	B	–	25,40	57,15	101,60	47,63	17,580	2,90	PHS 100-1BH12		
				A	31,75	–	–	–	–	17,580	1,59	PHS 100-1A13		
		13	147,83	B	–	25,40	60,33	98,43	41,28	17,580	2,99	PHS 100-1BH13		
				A	31,75	–	–	–	–	17,580	1,86	PHS 100-1A14		
14	158,24	B	–	31,75	69,85	106,36	41,28	17,580	3,36	PHS 100-1BH14				
		A	31,75	–	–	–	–	17,580	1,86	PHS 100-1A14				

Maximum bores can accommodate standard keyways. Larger bores are available where a shallow keyway is used or no keyway is required. All Type B or C sprockets, up to and including 25 tooth, are with hardened teeth as standard. For any additional size sprockets with hardened teeth, add "H" before the number of teeth, e.g. PHS 25-1BH9.

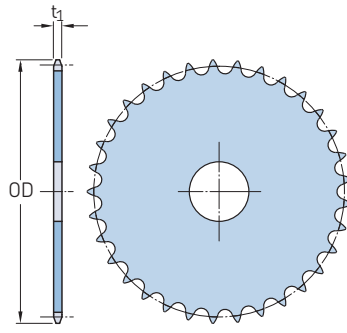
ANSI sprockets, simplex, pilot bore
ANSI 100-1 · 31,75 mm (1¼") pitch

Pitch		Number of teeth	Outside diameter OD	Type	Dimensions			Hub		Plate thickness t ₁	Mass	Designation
mm	in.				Bore stock	Bore		H	L			
					mm	Min.	Max.			kg		
31,75	1¼	15	168,40	A	31,75	–	–	–	–	17,580	2,13	PHS 100-1A15
			168,40	B	–	31,75	76,20	114,30	44,45	17,580	4,17	PHS 100-1BH15
		16	178,56	A	31,75	–	–	–	–	17,580	2,45	PHS 100-1A16
			178,56	B	–	33,34	76,20	114,30	44,45	17,580	4,49	PHS 100-1BH16
		17	188,98	A	31,75	–	–	–	–	17,580	2,77	PHS 100-1A17
			188,98	B	–	33,34	76,20	114,30	44,45	17,580	4,90	PHS 100-1BH17
		18	199,14	A	31,75	–	–	–	–	17,580	3,18	PHS 100-1A18
			199,14	B	–	33,34	76,20	114,30	44,45	17,580	5,22	PHS 100-1BH18
		19	209,30	A	31,75	–	–	–	–	17,580	3,54	PHS 100-1A19
			209,30	B	–	33,34	76,20	114,30	50,80	17,580	5,94	PHS 100-1BH19
		20	219,46	A	31,75	–	–	–	–	17,580	3,99	PHS 100-1A20
			219,46	B	–	33,34	76,20	114,30	50,80	17,580	6,44	PHS 100-1BH20
		21	229,62	A	31,75	–	–	–	–	17,580	4,45	PHS 100-1A21
			229,62	B	–	33,34	76,20	114,30	50,80	17,580	6,94	PHS 100-1BH21
		22	239,78	A	31,75	–	–	–	–	17,580	4,76	PHS 100-1A22
			239,78	B	–	33,34	76,20	114,30	50,80	17,580	7,30	PHS 100-1BH22
		23	249,94	A	31,75	–	–	–	–	17,580	5,35	PHS 100-1A23
			249,94	B	–	31,75	76,20	114,30	50,80	17,580	7,80	PHS 100-1BH23
		24	260,35	A	31,75	–	–	–	–	17,580	5,81	PHS 100-1A24
			260,35	B	–	31,75	76,20	114,30	50,80	17,580	8,71	PHS 100-1BH24
		25	270,51	A	31,75	–	–	–	–	17,580	6,30	PHS 100-1A25
			270,51	B	–	31,75	76,20	114,30	50,80	17,580	8,85	PHS 100-1BH25
		26	280,67	A	31,75	–	–	–	–	17,580	6,80	PHS 100-1A26
			280,67	B	–	31,75	84,14	127,00	50,80	17,580	9,84	PHS 100-1B26
		27	290,58	A	31,75	–	–	–	–	17,580	7,26	PHS 100-1A27
			290,58	B	–	31,75	84,14	127,00	50,80	17,580	10,43	PHS 100-1B27
		28	300,74	A	31,75	–	–	–	–	17,580	7,89	PHS 100-1A28
			300,74	B	–	31,75	84,14	127,00	50,80	17,580	11,07	PHS 100-1B28
		29	310,90	A	31,75	–	–	–	–	17,580	8,89	PHS 100-1A29
			310,90	B	–	31,75	84,14	127,00	50,80	17,580	11,34	PHS 100-1B29
		30	321,06	A	31,75	–	–	–	–	17,580	9,12	PHS 100-1A30
			321,06	B	–	31,75	84,14	127,00	50,80	17,580	12,20	PHS 100-1B30
		31	331,22	A	31,75	–	–	–	–	17,580	9,75	PHS 100-1A31
		32	341,38	A	31,75	–	–	–	–	17,580	10,25	PHS 100-1A32
			341,38	B	–	31,75	84,14	127,00	50,80	17,580	13,52	PHS 100-1B32
		33	351,54	A	31,75	–	–	–	–	17,580	10,93	PHS 100-1A33
		34	361,70	A	31,75	–	–	–	–	17,580	11,79	PHS 100-1A34
		35	371,86	A	31,75	–	–	–	–	17,580	12,34	PHS 100-1A35
			371,86	B	–	31,75	84,14	127,00	63,50	17,580	16,74	PHS 100-1B35
		36	382,02	A	31,75	–	–	–	–	17,580	13,61	PHS 100-1A36
			382,02	B	–	31,75	84,14	127,00	63,50	17,580	17,51	PHS 100-1B36
		37	392,18	A	31,75	–	–	–	–	17,580	14,06	PHS 100-1A37
		38	402,34	A	31,75	–	–	–	–	17,580	14,97	PHS 100-1A38
			402,34	B	–	31,75	84,14	127,00	63,50	17,580	18,82	PHS 100-1B38
		39	412,24	A	31,75	–	–	–	–	17,580	15,88	PHS 100-1A39
			412,24	B	–	31,75	84,14	127,00	63,50	17,580	19,78	PHS 100-1B39
40	422,40	A	31,75	–	–	–	–	17,580	16,33	PHS 100-1A40		
	422,40	B	–	31,75	84,14	127,00	63,50	17,580	21,27	PHS 100-1B40		
41	432,56	A	31,75	–	–	–	–	17,580	17,69	PHS 100-1A41		
42	442,72	A	31,75	–	–	–	–	17,580	18,14	PHS 100-1A42		
	442,72	B	–	31,75	84,14	127,00	63,50	17,580	22,86	PHS 100-1B42		
43	452,88	A	38,10	–	–	–	–	17,580	19,50	PHS 100-1A43		
44	463,04	A	38,10	–	–	–	–	17,580	20,41	PHS 100-1A44		
45	473,20	A	38,10	–	–	–	–	17,580	21,32	PHS 100-1A45		
	473,20	B	–	38,10	84,14	127,00	63,50	17,580	24,49	PHS 100-1B45		
46	483,11	A	38,10	–	–	–	–	17,580	21,77	PHS 100-1A46		

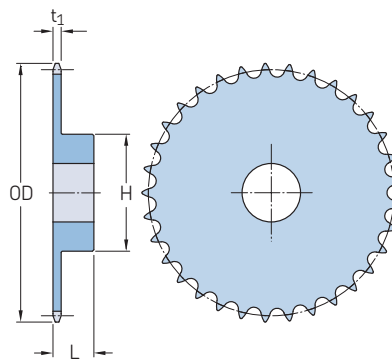
Maximum bores can accommodate standard keyways. Larger bores are available where a shallow keyway is used or no keyway is required. All Type B or C sprockets, up to and including 25 tooth, are with hardened teeth as standard. For any additional size sprockets with hardened teeth, add "H" before the number of teeth, e.g. PHS 25-1BH9.

ANSI sprockets, simplex, pilot bore

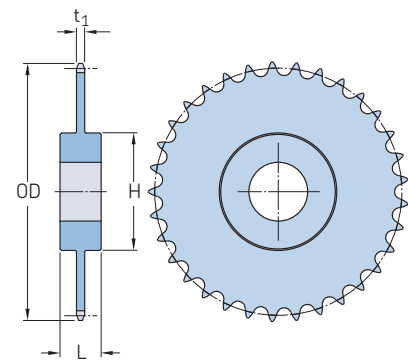
ANSI 100-1 · 31,75 mm (1¼") pitch | ANSI 120-1 · 38,10 mm (1½") pitch



Type A



Type B



Type C

Pitch	Number of teeth	Outside diameter	Type	Dimensions		Hub	Plate thickness	Mass	Designation		
				Bore stock	Bore						
mm	in.	mm		mm	Min.	Max.	t ₁	kg			
31,75	1¼	47	A	38,10	-	-	-	17,580	23,59	PHS 100-1A47	
			B	38,10	38,10	101,60	152,40	63,50	17,580	24,49	PHS 100-1A48 PHS 100-1B48
		48	A	38,10	-	-	-	-	17,580	25,40	PHS 100-1A49
			B	38,10	38,10	101,60	152,40	63,50	17,580	25,85	PHS 100-1A50
		49	A	38,10	-	-	-	-	17,580	28,58	PHS 100-1A51
			B	38,10	38,10	101,60	152,40	63,50	17,580	29,03	PHS 100-1A52
		50	A	38,10	-	-	-	-	17,580	29,12	PHS 100-1A53
			B	38,10	38,10	101,60	152,40	63,50	17,580	30,84	PHS 100-1A54 PHS 100-1C54
		51	A	38,10	-	-	-	-	17,580	31,75	PHS 100-1A55
			B	38,10	38,10	101,60	152,40	63,50	17,580	32,66	PHS 100-1A56
		52	A	38,10	-	-	-	-	17,580	34,38	PHS 100-1A57
			B	38,10	38,10	101,60	152,40	63,50	17,580	34,47	PHS 100-1A58
		53	A	38,10	-	-	-	-	17,580	34,93	PHS 100-1A59
			B	38,10	38,10	101,60	152,40	63,50	17,580	36,29	PHS 100-1A60 PHS 100-1C60
		54	A	38,10	-	-	-	-	17,580	51,26	PHS 100-1A70
			B	38,10	38,10	101,60	152,40	63,50	17,580	56,70	PHS 100-1C70
		55	A	38,10	-	-	-	-	17,580	53,98	PHS 100-1A72
			B	38,10	38,10	101,60	152,40	63,50	17,580	60,78	PHS 100-1C72
		56	A	38,10	-	-	-	-	17,580	60,33	PHS 100-1A76
			B	38,10	38,10	101,60	152,40	63,50	17,580	64,86	PHS 100-1C76
		57	A	38,10	-	-	-	-	17,580	66,22	PHS 100-1A80
			B	38,10	38,10	101,60	152,40	63,50	17,580	68,49	PHS 100-1C80
		58	A	38,10	-	-	-	-	17,580	73,48	PHS 100-1A84
			B	38,10	38,10	101,60	152,40	63,50	17,580	77,11	PHS 100-1C84
59	A	38,10	-	-	-	-	17,580	87,54	PHS 100-1A90		
	B	38,10	38,10	101,60	152,40	63,50	17,580	83,46	PHS 100-1C90		
60	A	38,10	-	-	-	-	17,580	97,52	PHS 100-1A96		
	B	38,10	38,10	101,60	152,40	63,50	17,580	92,08	PHS 100-1C96		
38,10	1½	8	A	31,75	-	-	-	23,470	1,09	PHS 120-1A8	
			B	31,75	34,93	46,04	85,73	57,15	23,470	1,36	PHS 120-1A9 PHS 120-1BH9
		9	A	31,75	-	-	-	-	23,470	1,72	PHS 120-1A10
			B	31,75	34,93	57,15	95,25	57,15	23,470	3,22	PHS 120-1BH10
		10	A	31,75	-	-	-	-	23,470	2,18	PHS 120-1A11
			B	31,75	34,93	60,33	90,49	53,98	23,470	3,45	PHS 120-1BH11
		11	A	31,75	-	-	-	-	23,470	2,63	PHS 120-1A12
			B	31,75	34,93	60,33	90,49	53,98	23,470		
		12	A	31,75	-	-	-	-	23,470		
			B	31,75	34,93	60,33	90,49	53,98	23,470		

Maximum bores can accommodate standard keyways. Larger bores are available where a shallow keyway is used or no keyway is required. All Type B or C sprockets, up to and including 25 tooth, are with hardened teeth as standard. For any additional size sprockets with hardened teeth, add "H" before the number of teeth, e.g. PHS 25-1BH9.

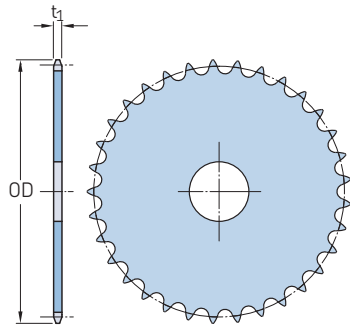
ANSI sprockets, simplex, pilot bore
ANSI 120-1 · 38,10 mm (1½") pitch

Pitch		Number of teeth	Outside diameter OD	Type	Dimensions			Hub		Plate thickness t ₁	Mass kg	Designation
mm	in.				Bore stock	Bore Min.	Bore Max.	H	L			
38,10	1½	12	165,10	B	–	34,93	69,85	104,78	53,98	23,470	4,49	PHS 120-1BH12
		13	177,55	A	31,75	–	–	–	–	23,470	3,04	PHS 120-1A13
			177,55	B	–	34,93	76,20	115,89	57,15	23,470	5,62	PHS 120-1BH13
		14	189,74	A	31,75	–	–	–	–	23,470	3,63	PHS 120-1A14
			189,74	B	–	34,93	82,55	120,65	57,15	23,470	6,53	PHS 120-1BH14
		15	202,18	A	31,75	–	–	–	–	23,470	4,13	PHS 120-1A15
			202,18	B	–	31,75	82,55	120,65	60,33	23,470	7,57	PHS 120-1BH15
		16	214,38	A	31,75	–	–	–	–	23,470	4,81	PHS 120-1A16
			214,38	B	–	31,75	88,90	133,35	60,33	23,470	9,03	PHS 120-1BH16
		17	226,57	A	31,75	–	–	–	–	23,470	5,72	PHS 120-1A17
			226,57	B	–	31,75	88,90	133,35	60,33	23,470	9,43	PHS 120-1BH17
		18	239,01	A	31,75	–	–	–	–	23,470	6,17	PHS 120-1A18
			239,01	B	–	31,75	88,90	133,35	60,33	23,470	10,07	PHS 120-1BH18
		19	251,21	A	31,75	–	–	–	–	23,470	6,85	PHS 120-1A19
			251,21	B	–	31,75	88,90	133,35	60,33	23,470	11,25	PHS 120-1BH19
		20	263,40	A	31,75	–	–	–	–	23,470	7,67	PHS 120-1A20
			263,40	B	–	31,75	88,90	133,35	60,33	23,470	11,70	PHS 120-1BH20
		21	275,59	A	31,75	–	–	–	–	23,470	8,48	PHS 120-1A21
			275,59	B	–	31,75	88,90	133,35	60,33	23,470	12,11	PHS 120-1BH21
		22	287,78	A	31,75	–	–	–	–	23,470	9,07	PHS 120-1A22
			287,78	B	–	31,75	88,90	133,35	60,33	23,470	12,79	PHS 120-1BH22
		23	299,97	A	31,75	–	–	–	–	23,470	10,02	PHS 120-1A23
			299,97	B	–	31,75	88,90	133,35	60,33	23,470	13,74	PHS 120-1BH23
		24	312,17	A	31,75	–	–	–	–	23,470	11,25	PHS 120-1A24
			312,17	B	–	31,75	88,90	133,35	60,33	23,470	14,56	PHS 120-1BH24
		25	324,36	A	31,75	–	–	–	–	23,470	12,16	PHS 120-1A25
			324,36	B	–	31,75	88,90	133,35	60,33	23,470	15,69	PHS 120-1BH25
		26	336,55	A	38,10	–	–	–	–	23,470	12,84	PHS 120-1A26
			336,55	B	–	38,10	101,60	152,40	63,50	23,470	18,14	PHS 120-1B26
		27	348,74	A	38,10	–	–	–	–	23,470	14,02	PHS 120-1A27
		28	360,93	A	38,10	–	–	–	–	23,470	15,24	PHS 120-1A28
			360,93	B	–	38,10	101,60	152,40	63,50	23,470	20,37	PHS 120-1B28
		30	385,32	A	38,10	–	–	–	–	23,470	17,69	PHS 120-1A30
			385,32	B	–	38,10	101,60	152,40	63,50	23,470	22,77	PHS 120-1B30
		32	409,70	A	38,10	–	–	–	–	23,470	19,91	PHS 120-1A32
			409,70	B	–	38,10	101,60	152,40	63,50	23,470	25,40	PHS 120-1B32
		33	421,89	A	38,10	–	–	–	–	23,470	21,86	PHS 120-1A33
		34	434,09	A	38,10	–	–	–	–	23,470	22,68	PHS 120-1A34
		35	446,28	A	38,10	–	–	–	–	23,470	23,59	PHS 120-1A35
			446,28	B	–	38,10	101,60	152,40	63,50	23,470	28,30	PHS 120-1B35
36	458,47	A	38,10	–	–	–	–	23,470	25,40	PHS 120-1A36		
	458,47	B	–	38,10	101,60	152,40	63,50	23,470	30,12	PHS 120-1B36		
40	506,98	A	38,10	–	–	–	–	23,470	32,21	PHS 120-1A40		
	506,98	C	–	38,10	101,60	152,40	95,25	23,470	41,73	PHS 120-1C40		
42	531,37	A	38,10	–	–	–	–	23,470	34,02	PHS 120-1A42		
	531,37	C	–	38,10	101,60	152,40	95,25	23,470	44,45	PHS 120-1C42		
45	567,69	A	38,10	–	–	–	–	23,470	39,92	PHS 120-1A45		
	567,69	C	–	38,10	101,60	152,40	95,25	23,470	45,00	PHS 120-1C45		
48	604,27	A	38,10	–	–	–	–	23,470	46,72	PHS 120-1A48		
	604,27	C	–	38,10	101,60	152,40	101,60	23,470	51,26	PHS 120-1C48		
54	676,91	A	38,10	–	–	–	–	23,470	63,50	PHS 120-1A54		
	676,91	C	–	38,10	101,60	152,40	101,60	23,470	60,33	PHS 120-1C54		
60	749,81	A	38,10	–	–	–	–	23,470	72,57	PHS 120-1A60		
	749,81	C	–	38,10	133,35	177,80	101,60	23,470	72,57	PHS 120-1C60		
70	871,22	A	38,10	–	–	–	–	23,470	97,98	PHS 120-1A70		
	871,22	C	–	38,10	136,53	190,50	114,30	23,470	93,44	PHS 120-1C70		
80	992,63	A	38,10	–	–	–	–	23,470	128,82	PHS 120-1A80		
	992,63	C	–	38,10	136,53	190,50	114,30	23,470	115,21	PHS 120-1C80		

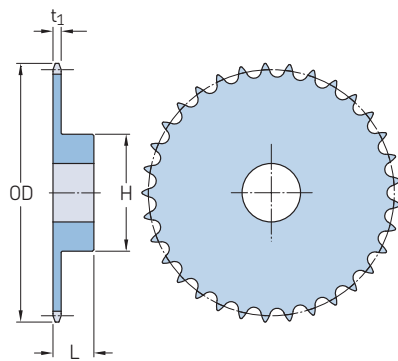
Maximum bores can accommodate standard keyways. Larger bores are available where a shallow keyway is used or no keyway is required. All Type B or C sprockets, up to and including 25 tooth, are with hardened teeth as standard. For any additional size sprockets with hardened teeth, add "H" before the number of teeth, e.g. PHS 25-1BH9.

ANSI sprockets, simplex, pilot bore

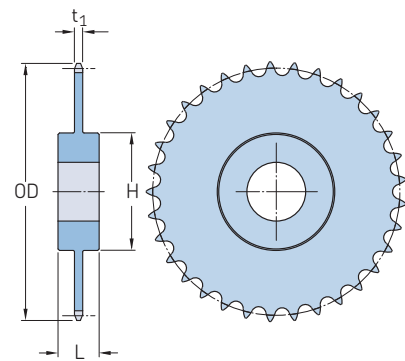
ANSI 120-1 · 38,10 mm (1½") pitch | ANSI 140-1 · 44,45 mm (1¾") pitch



Type A



Type B



Type C

Pitch	Number of teeth	Outside diameter	Type	Dimensions		Hub	Plate thickness	Mass	Designation			
				Bore stock	Bore							
mm	in.	mm		mm	Min.	Max.	t ₁	kg				
38,10	1½	90	1113,79	A	38,10	-	-	-	23,470	162,39	PHS 120-1A90	
44,45	1¾	11	178,05	A	38,10	-	-	-	23,470	2,27	PHS 140-1A11	
			178,05	B	-	38,10	69,85	107,95	57,15	23,470	5,13	PHS 140-1BH11
		12	192,53	A	38,10	-	-	-	-	23,470	3,54	PHS 140-1A12
			192,53	B	-	38,10	76,20	114,30	57,15	23,470	5,99	PHS 140-1BH12
		13	207,01	A	38,10	-	-	-	-	23,470	3,72	PHS 140-1A13
			207,01	B	-	38,10	95,25	139,70	60,33	23,470	8,57	PHS 140-1BH13
		14	221,49	A	38,10	-	-	-	-	23,470	4,54	PHS 140-1A14
			221,49	B	-	38,10	95,25	139,70	60,33	23,470	9,25	PHS 140-1BH14
		15	235,71	A	38,10	-	-	-	-	23,470	4,99	PHS 140-1A15
			235,71	B	-	38,10	107,95	158,75	60,33	23,470	11,39	PHS 140-1BH15
		16	250,19	A	38,10	-	-	-	-	23,470	6,35	PHS 140-1A16
			250,19	B	-	38,10	107,95	158,75	63,50	23,470	12,66	PHS 140-1BH16
		17	264,41	A	38,10	-	-	-	-	23,470	7,26	PHS 140-1A17
			264,41	B	-	38,10	107,95	158,75	63,50	23,470	13,52	PHS 140-1BH17
		18	278,89	A	38,10	-	-	-	-	23,470	8,16	PHS 140-1A18
			278,89	B	-	38,10	107,95	158,75	63,50	23,470	14,51	PHS 140-1BH18
		19	293,12	A	38,10	-	-	-	-	23,470	9,53	PHS 140-1A19
			293,12	B	-	38,10	107,95	158,75	63,50	23,470	15,47	PHS 140-1BH19
		20	307,34	A	38,10	-	-	-	-	23,470	10,43	PHS 140-1A20
			307,34	B	-	38,10	107,95	158,75	63,50	23,470	16,33	PHS 140-1BH20
		21	321,56	A	38,10	-	-	-	-	23,470	11,34	PHS 140-1A21
			321,56	B	-	38,10	107,95	158,75	63,50	23,470	17,55	PHS 140-1BH21
		22	335,79	A	38,10	-	-	-	-	23,470	12,70	PHS 140-1A22
			335,79	B	-	38,10	107,95	158,75	63,50	23,470	18,42	PHS 140-1BH22
		23	350,01	A	38,10	-	-	-	-	23,470	13,61	PHS 140-1A23
			350,01	B	-	38,10	107,95	158,75	63,50	23,470	19,10	PHS 140-1BH23
		24	364,24	A	38,10	-	-	-	-	23,470	14,97	PHS 140-1A24
			364,24	B	-	38,10	107,95	158,75	63,50	23,470	20,96	PHS 140-1BH24
		25	378,46	A	38,10	-	-	-	-	23,470	15,42	PHS 140-1A25
			378,46	B	-	38,10	107,95	158,75	63,50	23,470	21,68	PHS 140-1BH25
		26	392,68	A	38,10	-	-	-	-	23,470	17,69	PHS 140-1A26
			392,68	B	-	38,10	107,95	158,75	76,20	23,470	25,95	PHS 140-1B26
27	406,91	A	38,10	-	-	-	-	23,470	18,60	PHS 140-1A27		
	406,91	B	-	38,10	107,95	158,75	76,20	23,470	26,54	PHS 140-1B27		
28	421,13	A	38,10	-	-	-	-	23,470	20,41	PHS 140-1A28		
	421,13	B	-	38,10	107,95	158,75	76,20	23,470	28,21	PHS 140-1B28		
30	449,58	A	38,10	-	-	-	-	23,470	23,59	PHS 140-1A30		
	449,58	B	-	38,10	107,95	158,75	76,20	23,470	31,66	PHS 140-1B30		
31	463,80	A	44,45	38,10	-	-	-	23,470	25,40	PHS 140-1A31		
32	478,03	A	38,10	-	-	-	-	23,470	27,22	PHS 140-1A32		
	478,03	B	-	38,10	107,95	158,75	76,20	23,470	34,61	PHS 140-1B32		

Maximum bores can accommodate standard keyways. Larger bores are available where a shallow keyway is used or no keyway is required. All Type B or C sprockets, up to and including 25 tooth, are with hardened teeth as standard. For any additional size sprockets with hardened teeth, add "H" before the number of teeth, e.g. PHS 25-1BH9.

ANSI sprockets, simplex, pilot bore

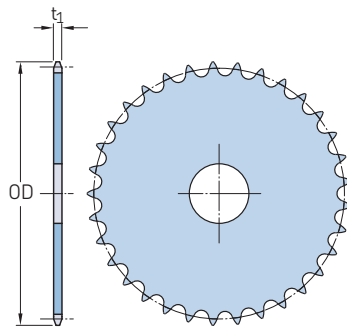
ANSI 140-1 · 44,45 mm (1³/₄" pitch | ANSI 160-1 · 50,80 mm (2" pitch

Pitch		Number of teeth	Outside diameter OD	Type	Dimensions		Hub			Plate thickness t ₁	Mass kg	Designation	
mm	in.				Bore stock	Bore	H	L	Min.				Max.
44,45	1 ³ / ₄	35	520,45	A	38,10	–	–	–	–	23,470	33,11	PHS 140-1A35	
			520,45	C	–	38,10	133,35	177,80	101,60	23,470	48,99	PHS 140-1C35	
		36	534,67	A	44,45	38,10	–	–	–	–	23,470	34,93	PHS 140-1A36
			591,57	A	38,10	–	–	–	–	–	23,470	42,18	PHS 140-1A40
		40	591,57	C	–	38,10	133,35	177,80	101,60	–	23,470	54,88	PHS 140-1C40
			662,43	A	38,10	–	–	–	–	–	23,470	59,42	PHS 140-1A45
		45	662,43	C	–	38,10	133,35	177,80	101,60	–	23,470	64,41	PHS 140-1C45
			704,85	A	38,10	–	–	–	–	–	23,470	60,78	PHS 140-1A48
		48	704,85	C	–	38,10	133,35	177,80	101,60	–	23,470	68,04	PHS 140-1C48
			789,94	A	38,10	–	–	–	–	–	23,470	78,47	PHS 140-1A54
		54	789,94	C	–	38,10	133,35	177,80	101,60	–	23,470	80,29	PHS 140-1C54
			874,78	A	38,10	–	–	–	–	–	23,470	99,34	PHS 140-1A60
		60	874,78	C	–	38,10	133,35	177,80	127,00	–	23,470	99,79	PHS 140-1C60
			1016,51	A	38,10	–	–	–	–	–	23,470	132,45	PHS 140-1A70
		70	1016,51	C	–	38,10	136,53	190,50	127,00	–	23,470	127,91	PHS 140-1C70
			1157,99	A	38,10	–	–	–	–	–	23,470	182,34	PHS 140-1A80
80	1157,99	C	–	38,10	136,53	190,50	127,00	–	23,470	150,14	PHS 140-1C80		
	50,80	2	8	153,16	A	38,10	–	–	–	–	29,360	2,27	PHS 160-1A8
153,16				B	–	38,10	47,63	82,55	57,15	29,360	3,63	PHS 160-1BH8	
9			170,18	A	38,10	–	–	–	–	–	29,360	3,18	PHS 160-1A9
			170,18	B	–	38,10	53,98	92,08	57,15	–	29,360	4,54	PHS 160-1BH9
10			186,94	A	38,10	–	–	–	–	–	29,360	3,63	PHS 160-1A10
			186,94	B	–	38,10	69,85	104,78	57,15	–	29,360	5,44	PHS 160-1BH10
11			203,45	A	38,10	–	–	–	–	–	29,360	4,54	PHS 160-1A11
			203,45	B	–	38,10	82,55	120,65	63,50	–	29,360	7,71	PHS 160-1BH11
12			219,96	A	38,10	–	–	–	–	–	29,360	5,44	PHS 160-1A12
			219,96	B	–	38,10	95,25	139,70	63,50	–	29,360	9,53	PHS 160-1BH12
13			236,47	A	38,10	–	–	–	–	–	29,360	7,26	PHS 160-1A13
			236,47	B	–	38,10	101,60	152,40	69,85	–	29,360	12,70	PHS 160-1BH13
14			252,98	A	38,10	–	–	–	–	–	29,360	7,71	PHS 160-1A14
			252,98	B	–	38,10	114,30	165,10	69,85	–	29,360	14,51	PHS 160-1BH14
15			269,49	A	38,10	–	–	–	–	–	29,360	9,53	PHS 160-1A15
			269,49	B	–	38,10	133,35	177,80	69,85	–	29,360	16,78	PHS 160-1BH15
16			286,00	A	38,10	–	–	–	–	–	29,360	10,89	PHS 160-1A16
			286,00	B	–	38,10	133,35	177,80	69,85	–	29,360	18,60	PHS 160-1BH16
17			302,26	A	38,10	–	–	–	–	–	29,360	12,25	PHS 160-1A17
			302,26	B	–	38,10	133,35	177,80	69,85	–	29,360	20,41	PHS 160-1BH17
18			318,52	A	38,10	–	–	–	–	–	29,360	13,61	PHS 160-1A18
			318,52	B	–	38,10	133,35	177,80	69,85	–	29,360	21,77	PHS 160-1BH18
19			335,03	A	38,10	–	–	–	–	–	29,360	15,42	PHS 160-1A19
			335,03	B	–	38,10	133,35	177,80	69,85	–	29,360	23,59	PHS 160-1BH19
20			351,28	A	38,10	–	–	–	–	–	29,360	17,24	PHS 160-1A20
			351,28	B	–	38,10	133,35	177,80	69,85	–	29,360	25,40	PHS 160-1BH20
21			367,54	A	38,10	–	–	–	–	–	29,360	19,05	PHS 160-1A21
			367,54	B	–	38,10	133,35	177,80	69,85	–	29,360	26,76	PHS 160-1BH21
22	383,79	A	38,10	–	–	–	–	–	29,360	20,87	PHS 160-1A22		
	383,79	B	–	38,10	133,35	177,80	69,85	–	29,360	29,48	PHS 160-1BH22		
23	400,05	A	38,10	–	–	–	–	–	29,360	22,68	PHS 160-1A23		
	400,05	B	–	38,10	133,35	177,80	69,85	–	29,360	30,84	PHS 160-1BH23		
24	416,31	A	38,10	–	–	–	–	–	29,360	25,40	PHS 160-1A24		
	416,31	B	–	38,10	133,35	177,80	76,20	–	29,360	34,93	PHS 160-1BH24		
25	432,56	A	38,10	–	–	–	–	–	29,360	27,67	PHS 160-1A25		
	432,56	B	–	38,10	133,35	177,80	76,20	–	29,360	36,74	PHS 160-1BH25		
26	448,82	A	38,10	–	–	–	–	–	29,360	29,48	PHS 160-1A26		
	448,82	B	–	38,10	133,35	177,80	76,20	–	29,360	39,01	PHS 160-1B26		
27	465,07	A	38,10	–	–	–	–	–	29,360	32,21	PHS 160-1A27		
	465,07	B	–	38,10	133,35	177,80	76,20	–	29,360	41,28	PHS 160-1B27		
28	481,33	A	38,10	–	–	–	–	–	29,360	34,93	PHS 160-1A28		
	481,33	B	–	38,10	133,35	177,80	76,20	–	29,360	44,45	PHS 160-1B28		

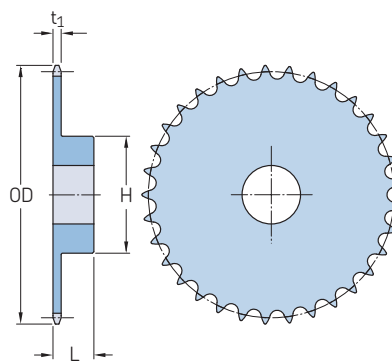
Maximum bores can accommodate standard keyways. Larger bores are available where a shallow keyway is used or no keyway is required. All Type B or C sprockets, up to and including 25 tooth, are with hardened teeth as standard. For any additional size sprockets with hardened teeth, add "H" before the number of teeth, e.g. PHS 25-1BH9.

ANSI sprockets, simplex, pilot bore

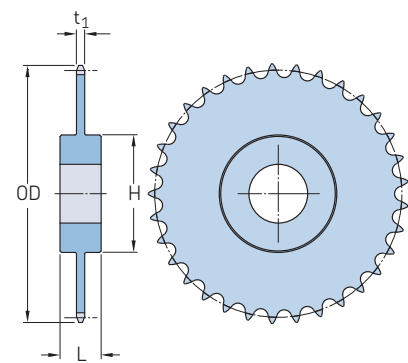
ANSI 160-1 · 50,80 mm (2") pitch | ANSI 180-1 · 57,15 mm (2¼") pitch



Type A



Type B



Type C

Pitch	Number of teeth	Outside diameter	Type	Dimensions		Hub	Plate thickness	Mass	Designation		
				Bore stock	Bore						
mm	in.	mm		mm	Min.	Max.	H	L	t ₁	kg	
50,80	2	30	A	38,10	-	-	-	-	29,360	40,82	PHS 160-1A30
			B	-	38,10	133,35	177,80	76,20	29,360	48,99	PHS 160-1B30
	35	A	38,10	-	-	-	-	29,360	54,88	PHS 160-1A35	
		C	-	38,10	139,70	203,20	114,30	29,360	69,85	PHS 160-1C35	
	40	A	38,10	-	-	-	-	29,360	62,60	PHS 160-1A40	
		C	-	38,10	139,70	203,20	114,30	29,360	88,90	PHS 160-1C40	
	45	A	38,10	-	-	-	-	29,360	92,53	PHS 160-1A45	
		C	-	38,10	139,70	203,20	127,00	29,360	106,14	PHS 160-1C45	
	54	A	38,10	-	-	-	-	29,360	133,36	PHS 160-1A54	
		C	-	38,10	139,70	203,20	127,00	29,360	125,19	PHS 160-1C54	
	60	A	38,10	-	-	-	-	29,360	166,01	PHS 160-1A60	
		C	-	38,10	139,70	203,20	127,00	29,360	149,23	PHS 160-1C60	
	70	A	38,10	-	-	-	-	29,360	229,97	PHS 160-1A70	
		C	-	38,10	139,70	203,20	127,00	29,360	202,30	PHS 160-1C70	
	80	A	38,10	-	-	-	-	29,360	297,56	PHS 160-1A80	
		C	-	38,10	139,70	203,20	152,40	29,360	277,60	PHS 160-1C80	
57,15	2¼	11	A	38,10	-	-	-	-	33,050	6,35	PHS 180-1A11
			B	-	38,10	92,08	139,70	76,20	33,050	13,15	PHS 180-1BH11
	12	A	38,10	-	-	-	-	33,050	7,26	PHS 180-1A12	
		B	-	38,10	101,60	152,40	76,20	33,050	14,51	PHS 180-1BH12	
	13	A	38,10	-	-	-	-	33,050	9,07	PHS 180-1A13	
		B	-	38,10	117,48	171,45	79,38	33,050	18,14	PHS 180-1BH13	
	14	A	38,10	-	-	-	-	33,050	10,89	PHS 180-1A14	
		B	-	38,10	133,35	177,80	79,38	33,050	19,96	PHS 180-1BH14	
	15	A	38,10	-	-	-	-	33,050	12,70	PHS 180-1A15	
		B	-	38,10	133,35	177,80	79,38	33,050	21,77	PHS 180-1BH15	
	16	A	38,10	-	-	-	-	33,050	14,51	PHS 180-1A16	
		B	-	38,10	133,35	177,80	79,38	33,050	23,59	PHS 180-1BH16	
	17	A	38,10	-	-	-	-	33,050	16,78	PHS 180-1A17	
		B	-	38,10	133,35	177,80	79,38	33,050	26,31	PHS 180-1BH17	
	18	A	38,10	-	-	-	-	33,050	19,50	PHS 180-1A18	
		B	-	38,10	133,35	177,80	79,38	33,050	28,58	PHS 180-1BH18	
	19	A	38,10	-	-	-	-	33,050	21,32	PHS 180-1A19	
		B	-	38,10	136,53	190,50	85,73	33,050	33,57	PHS 180-1BH19	
	20	A	38,10	-	-	-	-	33,050	24,04	PHS 180-1A20	
		B	-	38,10	136,53	190,50	85,73	33,050	36,74	PHS 180-1BH20	
	21	A	38,10	-	-	-	-	33,050	25,85	PHS 180-1A21	
		B	-	38,10	136,53	190,50	85,73	33,050	37,65	PHS 180-1BH21	
	22	A	38,10	-	-	-	-	33,050	28,12	PHS 180-1A22	
		B	-	38,10	136,53	190,50	85,73	33,050	41,73	PHS 180-1BH22	
23	A	38,10	-	-	-	-	33,050	31,30	PHS 180-1A23		
	B	-	38,10	136,53	190,50	85,73	33,050	44,91	PHS 180-1BH23		
24	A	38,10	-	-	-	-	33,050	34,93	PHS 180-1A24		

Maximum bores can accommodate standard keyways. Larger bores are available where a shallow keyway is used or no keyway is required. All Type B or C sprockets, up to and including 25 tooth, are with hardened teeth as standard. For any additional size sprockets with hardened teeth, add "H" before the number of teeth, e.g. PHS 25-1BH9.

ANSI sprockets, simplex, pilot bore

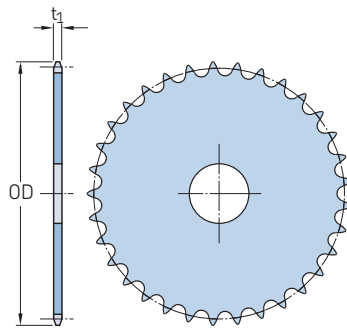
ANSI 180-1 · 57,15 mm (2¼") pitch | ANSI 200-1 · 63,50 mm (2½") pitch

Pitch		Number of teeth	Outside diameter OD	Type	Dimensions		Hub		Plate thickness t ₁	Mass kg	Designation	
mm	in.				Bore stock	Bore	H	L				
					Min.	Max.						
57,15	2¼	24	468,38	B	–	38,10	136,53	190,50	85,73	33,050	47,63	PHS 180-1BH24
		25	486,66	A	38,10	–	–	–	–	33,050	38,10	PHS 180-1A25
			486,66	B	–	38,10	136,53	190,50	85,73	33,050	51,26	PHS 180-1BH25
		28	541,53	A	38,10	–	–	–	–	33,050	47,17	PHS 180-1A28
			541,53	B	–	38,10	139,70	203,20	88,90	33,050	61,23	PHS 180-1B28
		30	578,10	A	38,10	–	–	–	–	33,050	54,43	PHS 180-1A30
			578,10	C	–	38,10	146,05	215,90	111,13	33,050	81,65	PHS 180-1C30
		35	669,29	A	38,10	–	–	–	–	33,050	78,02	PHS 180-1A35
			669,29	C	–	38,10	146,05	215,90	111,13	33,050	100,70	PHS 180-1C35
		40	760,48	A	38,10	–	–	–	–	33,050	103,87	PHS 180-1A40
			760,48	C	–	38,10	146,05	215,90	111,13	33,050	122,47	PHS 180-1C40
		45	851,66	A	38,10	–	–	–	–	33,050	128,82	PHS 180-1A45
			851,66	C	–	38,10	152,40	228,60	127,00	33,050	142,88	PHS 180-1C45
		54	1015,49	A	38,10	–	–	–	–	33,050	190,51	PHS 180-1A54
1015,49	C		–	38,10	152,40	228,60	127,00	33,050	216,36	PHS 180-1C54		
60	1124,71	A	38,10	–	–	–	–	33,050	229,06	PHS 180-1A60		
	1124,71	C	–	38,10	165,10	241,30	136,53	33,050	221,81	PHS 180-1C60		
63,50	2½	10	233,68	A	38,10	–	–	–	–	35,280	7,26	PHS 200-1A10
			233,68	B	–	38,10	95,25	139,70	76,20	35,280	11,79	PHS 200-1BH10
		11	254,51	A	38,10	–	–	–	–	35,280	9,07	PHS 200-1A11
			254,51	B	–	38,10	101,60	152,40	76,20	35,280	14,97	PHS 200-1BH11
		12	275,08	A	38,10	–	–	–	–	35,280	10,89	PHS 200-1A12
			275,08	B	–	38,10	114,30	165,10	76,20	35,280	16,78	PHS 200-1BH12
		13	295,66	A	38,10	–	–	–	–	35,280	13,61	PHS 200-1A13
			295,66	B	–	38,10	133,35	177,80	76,20	35,280	20,87	PHS 200-1BH13
		14	316,48	A	38,10	–	–	–	–	35,280	14,51	PHS 200-1A14
			316,48	B	–	38,10	136,53	190,50	88,90	35,280	26,76	PHS 200-1BH14
		15	336,80	A	38,10	–	–	–	–	35,280	18,14	PHS 200-1A15
			336,80	B	–	38,10	136,53	190,50	88,90	35,280	29,03	PHS 200-1BH15
		16	357,38	A	38,10	–	–	–	–	35,280	20,87	PHS 200-1A16
			357,38	B	–	38,10	136,53	190,50	88,90	35,280	32,66	PHS 200-1BH16
		17	377,70	A	38,10	–	–	–	–	35,280	23,13	PHS 200-1A17
			377,70	B	–	38,10	136,53	190,50	88,90	35,280	34,47	PHS 200-1BH17
		18	398,27	A	38,10	–	–	–	–	35,280	25,85	PHS 200-1A18
			398,27	B	–	38,10	136,53	190,50	88,90	35,280	38,10	PHS 200-1BH18
		19	418,59	A	38,10	–	–	–	–	35,280	29,48	PHS 200-1A19
			418,59	B	–	38,10	136,53	190,50	88,90	35,280	41,28	PHS 200-1BH19
		20	439,17	A	38,10	–	–	–	–	35,280	32,66	PHS 200-1A20
439,17	B		–	38,10	136,53	190,50	88,90	35,280	44,45	PHS 200-1BH20		
21	459,49	A	38,10	–	–	–	–	35,280	37,19	PHS 200-1A21		
	459,49	B	–	38,10	136,53	190,50	88,90	35,280	48,08	PHS 200-1BH21		
22	479,81	A	38,10	–	–	–	–	35,280	39,92	PHS 200-1A22		
	479,81	B	–	38,10	146,05	215,90	101,60	35,280	59,42	PHS 200-1BH22		
23	500,13	A	38,10	–	–	–	–	35,280	43,09	PHS 200-1A23		
	500,13	B	–	38,10	146,05	215,90	101,60	35,280	61,69	PHS 200-1BH23		
24	520,45	A	38,10	–	–	–	–	35,280	47,63	PHS 200-1A24		
	520,45	B	–	38,10	146,05	215,90	101,60	35,280	64,41	PHS 200-1BH24		
25	540,77	A	38,10	–	–	–	–	35,280	51,26	PHS 200-1A25		
	540,77	B	–	38,10	146,05	215,90	101,60	35,280	69,40	PHS 200-1BH25		
26	561,09	A	38,10	–	–	–	–	35,280	56,25	PHS 200-1A26		
	561,09	C	–	38,10	146,05	215,90	114,30	35,280	80,74	PHS 200-1C26		
28	601,73	A	38,10	–	–	–	–	35,280	65,32	PHS 200-1A28		
	601,73	C	–	38,10	146,05	215,90	114,30	35,280	88,45	PHS 200-1C28		
30	642,37	A	38,10	–	–	–	–	35,280	75,75	PHS 200-1A30		
	642,37	C	–	38,10	146,05	215,90	114,30	35,280	96,16	PHS 200-1C30		
32	682,75	A	38,10	–	–	–	–	35,280	88,45	PHS 200-1A32		
	682,75	C	–	38,10	146,05	215,90	114,30	35,280	99,79	PHS 200-1C32		
35	743,71	A	38,10	–	–	–	–	35,280	102,97	PHS 200-1A35		
	743,71	C	–	38,10	146,05	215,90	114,30	35,280	115,21	PHS 200-1C35		

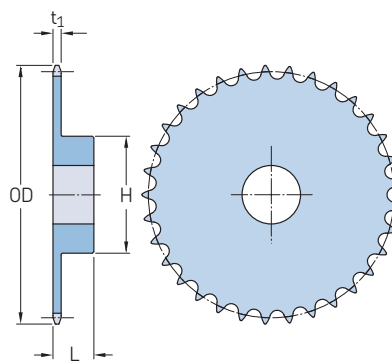
Maximum bores can accommodate standard keyways. Larger bores are available where a shallow keyway is used or no keyway is required. All Type B or C sprockets, up to and including 25 tooth, are with hardened teeth as standard. For any additional size sprockets with hardened teeth, add "H" before the number of teeth, e.g. PHS 25-1BH9.

ANSI sprockets, simplex, pilot bore

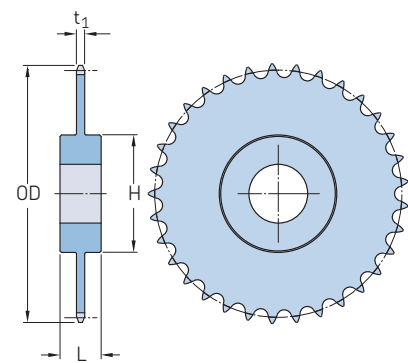
ANSI 200-1 · 63,50 mm (2½") pitch | ANSI 240-1 · 76,20 mm (3") pitch



Type A



Type B



Type C

Pitch	Number of teeth	Outside diameter OD	Type	Dimensions		Hub	Plate thickness t ₁	Mass	Designation		
				Bore stock	Bore						
mm	in.	mm		mm	Min.	Max.	H	L	kg		
63,50	2½	845,06 845,06	A	38,10	-	-	-	-	35,280	136,53	PHS 200-1A40
			C	-	38,10	152,40	228,60	127,00	35,280	145,15	PHS 200-1C40
		45	A	38,10	-	-	-	-	35,280	176,90	PHS 200-1A45
			C	-	38,10	152,40	228,60	127,00	35,280	165,11	PHS 200-1C45
63,50	2½	1128,27 1128,27	A	38,10	-	-	-	-	35,280	251,74	PHS 200-1A54
			C	-	38,10	165,10	241,30	139,70	35,280	232,24	PHS 200-1C54
		60	A	38,10	-	-	-	-	35,280	313,89	PHS 200-1A60
			C	-	38,10	165,10	241,30	139,70	35,280	296,65	PHS 200-1C60
76,20	3	280,16 280,16	A	38,10	-	-	-	-	44,150	13,61	PHS 240-1A10
			B	-	38,10	114,30	165,10	85,73	44,150	22,23	PHS 240-1BH10
		11	A	38,10	-	-	-	-	44,150	16,78	PHS 240-1A11
			B	-	38,10	120,65	177,80	98,43	44,150	29,94	PHS 240-1BH11
		12	A	38,10	-	-	-	-	44,150	20,41	PHS 240-1A12
			B	-	38,10	136,53	190,50	98,43	44,150	32,66	PHS 240-1BH12
		13	A	38,10	-	-	-	-	44,150	24,49	PHS 240-1A13
			B	-	38,10	136,53	190,50	98,43	44,150	36,74	PHS 240-1BH13
		14	A	38,10	-	-	-	-	44,150	28,12	PHS 240-1A14
			B	-	38,10	136,53	190,50	98,43	44,150	39,92	PHS 240-1BH14
		15	A	38,10	-	-	-	-	44,150	30,84	PHS 240-1A15
			B	-	38,10	136,53	190,50	98,43	44,150	44,45	PHS 240-1BH15
		16	A	38,10	-	-	-	-	44,150	37,19	PHS 240-1A16
			B	-	38,10	139,70	203,20	104,78	44,150	54,43	PHS 240-1BH16
		17	A	38,10	-	-	-	-	44,150	42,18	PHS 240-1A17
			B	-	38,10	139,70	203,20	104,78	44,150	62,14	PHS 240-1BH17
		18	A	38,10	-	-	-	-	44,150	48,99	PHS 240-1A18
			B	-	38,10	139,70	203,20	104,78	44,150	64,41	PHS 240-1BH18
		19	A	38,10	-	-	-	-	44,150	54,43	PHS 240-1A19
			B	-	38,10	139,70	203,20	104,78	44,150	69,85	PHS 240-1BH19
20	A	38,10	-	-	-	-	44,150	58,06	PHS 240-1A20		
	B	-	38,10	139,70	203,20	104,78	44,150	76,66	PHS 240-1BH20		
21	A	38,10	-	-	-	-	44,150	67,13	PHS 240-1A21		
	B	-	38,10	139,70	203,20	104,78	44,150	84,37	PHS 240-1BH21		
25	A	38,10	-	-	-	-	44,150	94,35	PHS 240-1A25		
	B	-	38,10	139,70	203,20	104,78	44,150	115,21	PHS 240-1BH25		
30	A	38,10	-	-	-	-	44,150	140,61	PHS 240-1A30		
	C	-	38,10	152,40	228,60	158,75	44,150	180,53	PHS 240-1C30		
35	A	38,10	-	-	-	-	44,150	188,69	PHS 240-1A35		
	C	-	38,10	152,40	228,60	158,75	44,150	239,04	PHS 240-1C35		
40	A	38,10	-	-	-	-	44,150	248,57	PHS 240-1A40		
	C	-	38,10	177,80	254,00	171,45	44,150	304,81	PHS 240-1C40		
45	A	38,10	-	-	-	-	44,150	318,42	PHS 240-1A45		
	C	-	38,10	177,80	254,00	171,45	44,150	385,55	PHS 240-1C45		
54		1354,07	A	38,10	-	-	-	44,150	463,57	PHS 240-1A54	

Maximum bores can accommodate standard keyways. Larger bores are available where a shallow keyway is used or no keyway is required. All Type B or C sprockets, up to and including 25 tooth, are with hardened teeth as standard. For any additional size sprockets with hardened teeth, add "H" before the number of teeth, e.g. PHS 25-1BH9.

ANSI sprockets, simplex, pilot bore

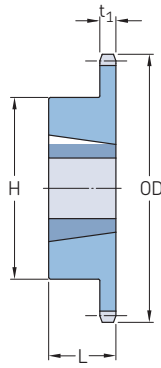
ANSI 240-1 · 76,20 mm (3") pitch

Pitch		Number of teeth	Outside diameter OD	Type	Dimensions			Hub		Plate thickness t ₁	Mass	Designation
mm	in.				Bore stock	Bore Min.	Bore Max.	H	L			
mm	in.	–	mm	–	mm					kg	–	
76,20	3	54	1354,07	C	–	38,10	177,80	254,00	171,45	44,150	520,72	PHS 240-1C54
			1499,62	A	38,10	–	–	–	–	44,150	575,15	PHS 240-1A60
		1499,62	C	–	38,10	177,80	254,00	171,45	44,150	643,65	PHS 240-1C60	

Maximum bores can accommodate standard keyways. Larger bores are available where a shallow keyway is used or no keyway is required. All Type B or C sprockets, up to and including 25 tooth, are with hardened teeth as standard. For any additional size sprockets with hardened teeth, add "H" before the number of teeth, e.g. PHS 25-1BH9.

ANSI sprockets, simplex, taper bushed

ANSI 35-1 · 9,53 mm (3/8") pitch | ANSI 41-1 · 12,70 mm (1/2") pitch



Type B

Pitch	Number of teeth	Diameters		Type	Bushing number	Dimensions				Plate thickness t_1	Mass Rim	Bushing	Designation	
		Outside OD	Pitch PD			Bore		L	H					
mm	in.	mm	mm	-	-	mm	mm	mm	mm	mm	kg	-	-	
9,53	3/8	18	59,69	54,86	B	1008	9,53	25,40	22,23	47,63	4,270	0,2	0,1	PHS 35-1TBH18
		19	62,74	57,91	B	1008	9,53	25,40	22,23	46,04	4,270	0,2	0,1	PHS 35-1TBH19
		20	65,79	60,96	B	1008	9,53	25,40	22,23	49,21	4,270	0,3	0,1	PHS 35-1TBH20
		21	68,83	64,01	B	1008	9,53	25,40	22,23	52,39	4,270	0,3	0,1	PHS 35-1TBH21
		22	73,15	66,80	B	1210	15,88	31,75	25,40	60,33	4,270	0,4	0,3	PHS 35-1TBH22
		23	74,93	69,85	B	1210	15,88	31,75	25,40	61,91	4,270	0,4	0,3	PHS 35-1TBH23
	24	77,98	72,90	B	1210	15,88	31,75	25,40	61,91	4,270	0,4	0,3	PHS 35-1TBH24	
	25	81,03	75,95	B	1210	15,88	31,75	25,40	61,91	4,270	0,5	0,3	PHS 35-1TBH25	
	26	84,07	78,99	B	1610	12,70	41,28	25,40	73,03	4,270	0,5	0,4	PHS 35-1TB26	
	28	90,17	85,09	B	1610	12,70	41,28	25,40	73,03	4,270	0,5	0,4	PHS 35-1TB28	
	30	96,27	91,19	B	1610	12,70	41,28	25,40	79,38	4,270	0,5	0,4	PHS 35-1TB30	
	32	102,36	97,28	B	1610	12,70	41,28	25,40	82,55	4,270	0,6	0,4	PHS 35-1TB32	
	35	111,51	106,17	B	1610	12,70	41,28	25,40	82,55	4,270	0,6	0,4	PHS 35-1TB35	
	36	114,55	109,22	B	1610	12,70	41,28	25,40	82,55	4,270	0,6	0,4	PHS 35-1TB36	
	40	126,75	121,67	B	1610	12,70	41,28	25,40	82,55	4,270	0,9	0,4	PHS 35-1TB40	
	42	132,84	127,51	B	1610	12,70	41,28	25,40	82,55	4,270	0,9	0,4	PHS 35-1TB42	
	45	141,99	136,65	B	1610	12,70	41,28	25,40	82,55	4,270	1,0	0,4	PHS 35-1TB45	
	48	151,13	145,54	B	1610	12,70	41,28	25,40	82,55	4,270	1,0	0,4	PHS 35-1TB48	
	54	169,16	163,83	B	1610	12,70	41,28	25,40	82,55	4,270	1,2	0,4	PHS 35-1TB54	
	60	187,45	182,12	B	1610	12,70	41,28	25,40	82,55	4,270	1,4	0,4	PHS 35-1TB60	
	70	217,68	212,34	B	1610	12,70	41,28	25,40	82,55	4,270	1,7	0,4	PHS 35-1TB70	
	72	223,77	218,44	B	1610	12,70	41,28	25,40	82,55	4,270	1,8	0,4	PHS 35-1TB72	
80	248,16	242,57	B	1610	12,70	41,28	25,40	82,55	4,270	2,0	0,4	PHS 35-1TB80		
84	260,35	254,76	B	1610	12,70	41,28	25,40	82,55	4,270	2,2	0,4	PHS 35-1TB84		
96	296,67	291,08	B	1610	12,70	41,28	25,40	82,55	4,270	2,7	0,4	PHS 35-1TB96		
112	345,19	339,60	B	1610	12,70	41,28	25,40	82,55	4,270	3,5	0,4	PHS 35-1TB112		
12,70	1/2	14	63,25	57,15	B	1008	9,53	25,40	22,23	47,63	5,770	0,2	0,1	PHS 41-1TBH14
		15	67,31	60,96	B	1008	9,53	25,40	22,23	47,63	5,770	0,2	0,1	PHS 41-1TBH15
		16	71,37	63,50	B	1008	9,53	25,40	22,23	50,80	5,770	0,3	0,1	PHS 41-1TBH16
		17	75,44	69,09	B	1210	15,88	31,75	25,40	60,33	5,770	0,3	0,3	PHS 41-1TBH17
		18	79,76	73,15	B	1210	15,88	31,75	25,40	85,73	5,770	0,4	0,3	PHS 41-1TBH18
		19	83,82	77,22	B	1210	15,88	31,75	25,40	63,50	5,770	0,5	0,3	PHS 41-1TBH19
		20	87,88	81,28	B	1610	12,70	41,28	25,40	73,03	5,770	0,5	0,4	PHS 41-1TBH20
		21	91,95	85,34	B	1610	12,70	41,28	25,40	76,20	5,770	0,5	0,4	PHS 41-1TBH21
		22	96,01	89,15	B	1610	12,70	41,28	25,40	76,20	5,770	0,6	0,4	PHS 41-1TBH22
		23	100,08	93,22	B	1610	12,70	41,28	25,40	76,20	5,770	0,6	0,4	PHS 41-1TBH23
	24	104,14	97,28	B	1610	12,70	41,28	25,40	76,20	5,770	0,6	0,4	PHS 41-1TBH24	
	25	108,20	101,35	B	1610	12,70	41,28	25,40	76,20	5,770	0,7	0,4	PHS 41-1TBH25	
	26	112,27	105,41	B	1610	12,70	41,28	25,40	76,20	5,770	0,7	0,4	PHS 41-1TB26	
	28	120,40	113,54	B	1610	12,70	41,28	25,40	76,20	5,770	0,8	0,4	PHS 41-1TB28	
	30	128,52	121,41	B	1610	12,70	41,28	25,40	76,20	5,770	0,8	0,4	PHS 41-1TB30	
	32	136,65	129,54	B	1610	12,70	41,28	25,40	76,20	5,770	0,9	0,4	PHS 41-1TB32	
	35	148,84	141,73	B	1610	12,70	41,28	25,40	76,20	5,770	1,0	0,4	PHS 41-1TB35	
	36	152,91	145,80	B	1610	12,70	41,28	25,40	76,20	5,770	1,1	0,4	PHS 41-1TB36	
	40	168,91	161,80	B	1610	12,70	41,28	25,40	76,20	5,770	1,2	0,4	PHS 41-1TB40	
	45	189,23	182,12	B	1610	12,70	41,28	25,40	76,20	5,770	1,6	0,4	PHS 41-1TB45	
	48	201,42	194,06	B	1610	12,70	41,28	25,40	76,20	5,770	1,9	0,4	PHS 41-1TB48	
	54	225,55	218,44	B	1610	12,70	41,28	25,40	76,20	5,770	2,2	0,4	PHS 41-1TB54	
60	249,94	242,57	B	1610	12,70	41,28	25,40	76,20	5,770	2,6	0,4	PHS 41-1TB60		
70	290,32	282,96	B	1610	12,70	41,28	25,40	76,20	5,770	3,4	0,4	PHS 41-1TB70		
72	298,45	291,08	B	1610	12,70	41,28	25,40	76,20	5,770	3,7	0,4	PHS 41-1TB72		
80	330,96	323,60	B	1610	12,70	41,28	25,40	76,20	5,770	4,4	0,4	PHS 41-1TB80		
96	395,48	388,11	B	1610	12,70	41,28	25,40	76,20	5,770	5,9	0,4	PHS 41-1TB96		

All Type B or C sprockets, up to and including 25 tooth, are with hardened teeth as standard. For any additional size sprockets with hardened teeth, add "H" before the number of teeth, e.g. PHS 35-1TBH18.

ANSI sprockets, simplex, taper bushed

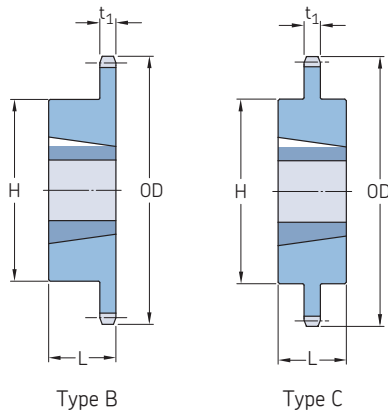
ANSI 40-1 · 12,70 mm (¹/₂") pitch | ANSI 50-1 · 15,88 mm (⁵/₈") pitch | ANSI 60-1 · 19,05 mm (³/₄") pitch

Pitch	Number of teeth		Diameters		Type	Bushing number	Dimensions				Plate thickness t ₁	Mass Rim	Bushing	Designation		
			Outside OD	Pitch PD			Bore Min.	Bore Max.	L	H						
mm	in.	-	mm	-	-	-	mm	-	-	-	kg	-	-			
12,70	<i>¹/₂</i>	14	63,25	57,15	B	1008	9,53	25,40	22,23	46,04	7,210	0,1	0,1	PHS 40-1TBH14		
		15	67,31	60,96	B	1008	9,53	25,40	22,23	46,04	7,210	0,2	0,1	PHS 40-1TBH15		
		16	71,37	65,02	B	1008	9,53	25,40	22,23	49,21	7,210	0,2	0,1	PHS 40-1TBH16		
		17	75,69	69,09	B	1210	15,88	31,75	25,40	60,33	7,210	0,2	0,1	PHS 40-1TBH17		
		18	79,50	73,15	B	1210	15,88	31,75	25,40	62,71	7,210	0,3	0,3	PHS 40-1TBH18		
		19	83,82	77,22	B	1210	15,88	31,75	25,40	62,71	7,210	0,3	0,3	PHS 40-1TBH19		
		20	87,88	81,28	B	1610	12,70	41,28	25,40	70,64	7,210	0,3	0,4	PHS 40-1TBH20		
		21	91,95	85,34	B	1610	12,70	41,28	25,40	70,64	7,210	0,4	0,4	PHS 40-1TBH21		
		22	96,01	89,15	B	1610	12,70	41,28	25,40	70,64	7,210	0,4	0,4	PHS 40-1TBH22		
		23	100,08	93,22	B	1610	12,70	41,28	25,40	76,20	7,210	0,5	0,4	PHS 40-1TBH23		
		24	104,14	97,28	B	1610	12,70	41,28	25,40	82,55	7,210	0,6	0,4	PHS 40-1TBH24		
		25	108,20	101,35	B	1610	12,70	41,28	25,40	82,55	7,210	0,7	0,4	PHS 40-1TBH25		
		26	112,27	105,41	B	1610	12,70	41,28	25,40	82,55	7,210	0,8	0,4	PHS 40-1TB26		
		28	120,40	113,54	B	1610	12,70	41,28	25,40	76,20	7,210	0,8	0,4	PHS 40-1TB28		
		30	128,52	121,41	B	1610	12,70	41,28	25,40	76,20	7,210	0,9	0,4	PHS 40-1TB30		
		32	136,65	129,54	B	1610	12,70	41,28	25,40	76,20	7,210	0,9	0,4	PHS 40-1TB32		
		35	148,84	141,73	B	1610	12,70	41,28	25,40	76,20	7,210	1,0	0,4	PHS 40-1TB35		
		36	152,65	145,80	B	1610	12,70	41,28	25,40	76,20	7,210	1,1	0,4	PHS 40-1TB36		
		40	168,91	161,80	B	1610	12,70	41,28	25,40	76,20	7,210	1,3	0,4	PHS 40-1TB40		
		42	177,04	169,93	B	1610	12,70	41,28	25,40	76,20	7,210	1,3	0,4	PHS 40-1TB42		
		45	189,23	182,12	B	1610	12,70	41,28	25,40	76,20	7,210	1,6	0,4	PHS 40-1TB45		
		48	201,42	194,06	B	1610	12,70	41,28	25,40	76,20	7,210	1,8	0,4	PHS 40-1TB48		
		54	225,55	218,44	B	1610	12,70	41,28	25,40	76,20	7,210	2,2	0,4	PHS 40-1TB54		
		60	249,94	242,57	B	1610	12,70	41,28	25,40	76,20	7,210	2,7	0,4	PHS 40-1TB60		
		70	290,32	282,96	B	2012	19,05	50,80	31,75	90,49	7,210	3,7	0,8	PHS 40-1TB70		
		72	298,45	291,08	B	2012	19,05	50,80	31,75	90,49	7,210	4,1	0,8	PHS 40-1TB72		
		80	330,96	323,60	B	2012	19,05	50,80	31,75	90,49	7,210	4,9	0,8	PHS 40-1TB80		
		84	346,96	339,60	B	2012	19,05	50,80	31,75	90,49	7,210	5,1	0,8	PHS 40-1TB84		
		96	395,48	388,11	B	2012	19,05	50,80	31,75	90,49	7,210	6,6	0,8	PHS 40-1TB96		
		112	460,25	452,88	B	2517	19,05	63,50	44,45	107,95	7,210	9,3	0,8	PHS 40-1TB112		
		15,88	<i>⁵/₈</i>	12	68,83	61,47	B	1008	9,53	25,40	22,23	49,21	8,710	0,2	0,1	PHS 50-1TBH12
				13	73,91	66,29	B	1008	9,53	25,40	22,23	46,04	8,710	0,2	0,1	PHS 50-1TBH13
				14	78,99	71,37	B	1008	9,53	25,40	22,23	49,21	8,710	0,3	0,1	PHS 50-1TBH14
				15	84,07	76,45	B	1210	15,88	31,75	25,40	62,71	8,710	0,3	0,3	PHS 50-1TBH15
				16	89,41	81,28	B	1610	12,70	41,28	25,40	70,64	8,710	0,3	0,4	PHS 50-1TBH16
				17	94,49	86,36	B	1610	12,70	41,28	25,40	70,64	8,710	0,4	0,4	PHS 50-1TBH17
18	99,57			91,44	B	1610	12,70	41,28	25,40	70,64	8,710	0,4	0,4	PHS 50-1TBH18		
19	104,65			96,52	B	1610	12,70	41,28	25,40	76,20	8,710	0,6	0,4	PHS 50-1TBH19		
20	109,73			101,60	B	1610	12,70	41,28	25,40	82,55	8,710	0,7	0,4	PHS 50-1TBH20		
21	114,81			106,43	B	1610	12,70	41,28	25,40	76,20	8,710	0,7	0,4	PHS 50-1TBH21		
22	119,89			111,51	B	1610	12,70	41,28	25,40	76,20	8,710	0,7	0,4	PHS 50-1TBH22		
23	124,97			116,59	B	2012	19,05	50,80	31,75	90,49	8,710	0,9	0,8	PHS 50-1TBH23		
24	130,05			121,67	B	2012	19,05	50,80	31,75	90,49	8,710	1,0	0,8	PHS 50-1TBH24		
25	135,13			126,75	B	2012	19,05	50,80	31,75	90,49	8,710	1,1	0,8	PHS 50-1TBH25		
26	140,21			131,57	B	2012	19,05	50,80	31,75	90,49	8,710	1,1	0,8	PHS 50-1TB26		
27	145,29			136,65	B	2012	19,05	50,80	31,75	90,49	8,710	1,2	0,8	PHS 50-1TB27		
28	150,37			141,73	B	2012	19,05	50,80	31,75	90,49	8,710	1,3	0,8	PHS 50-1TB28		
30	160,53			151,89	B	2012	19,05	50,80	31,75	90,49	8,710	1,5	0,8	PHS 50-1TB30		
32	170,69			162,05	B	2012	19,05	50,80	31,75	90,49	8,710	1,6	0,8	PHS 50-1TB32		
35	185,93			177,04	B	2012	19,05	50,80	31,75	90,49	8,710	1,9	0,8	PHS 50-1TB35		
36	191,01			182,12	B	2012	19,05	50,80	31,75	90,49	8,710	2,0	0,8	PHS 50-1TB36		
40	211,33			202,44	B	2012	19,05	50,80	31,75	90,49	8,710	2,4	0,8	PHS 50-1TB40		
42	221,23			212,34	B	2012	19,05	50,80	31,75	90,49	8,710	2,7	0,8	PHS 50-1TB42		
45	236,47			227,58	B	2012	19,05	50,80	31,75	90,49	8,710	3,0	0,8	PHS 50-1TB45		
48	251,71			242,82	B	2012	19,05	50,80	31,75	90,49	8,710	3,3	0,8	PHS 50-1TB48		
54	282,19			273,05	B	2012	19,05	50,80	31,75	90,49	8,710	4,1	0,8	PHS 50-1TB54		
60	312,42			303,28	B	2012	19,05	50,80	31,75	90,49	8,710	4,9	0,8	PHS 50-1TB60		
70	362,97			353,82	B	2517	19,05	63,50	44,45	82,55	8,710	6,4	1,6	PHS 50-1TB70		
72	373,13			363,98	B	2517	19,05	63,50	44,45	82,55	8,710	7,0	1,6	PHS 50-1TB72		
80	413,51			404,37	B	2517	19,05	63,50	44,45	82,55	8,710	8,9	1,6	PHS 50-1TB80		
84	433,83			424,43	B	2517	19,05	63,50	44,45	82,55	8,710	10,2	1,6	PHS 50-1TB84		
96	494,54			485,14	B	2517	19,05	63,50	44,45	82,55	8,710	13,2	1,6	PHS 50-1TB96		
112	575,31			566,17	B	2517	19,05	63,50	44,45	82,55	8,710	17,6	1,6	PHS 50-1TB112		
19,05	<i>³/₄</i>			11	76,20	67,56	B	1008	9,53	25,40	22,23	46,04	11,660	0,3	0,1	PHS 60-1TBH11
				12	82,55	73,66	B	1008	9,53	25,40	22,23	49,21	11,660	0,4	0,1	PHS 60-1TBH12
				13	88,65	79,50	B	1210	15,88	31,75	25,40	62,71	11,660	0,4	0,3	PHS 60-1TBH13
		14	95,00	85,60	B	1210	15,88	31,75	25,40	62,71	11,660	0,5	0,3	PHS 60-1TBH14		
		15	101,09	91,69	B	1610	12,70	41,28	25,40	70,64	11,660	0,5	0,4	PHS 60-1TBH15		
		16	107,19	97,54	B	1610	12,70	41,28	25,40	76,20	11,660	0,6	0,4	PHS 60-1TBH16		
		17	113,28	103,63	B	1610	12,70	41,28	25,40	82,55	11,660	0,8	0,4	PHS 60-1TBH17		
		18	119,38	109,73	B	1610	12,70	41,28	25,40	82,55	11,660	0,9	0,4	PHS 60-1TBH18		
		19	125,73	115,82	B	1610	12,70	41,28	25,40	82,55	11,660	1,0	0,4	PHS 60-1TBH19		
		20	131,57	121,67	B	2012	19,05	50,80	31,75	90,49	11,660	1,0	0,8	PHS 60-1TBH20		

All Type B or C sprockets, up to and including 25 tooth, are with hardened teeth as standard. For any additional size sprockets with hardened teeth, add "H" before the number of teeth, e.g. PHS 35-1TBH18.

ANSI sprockets, simplex, taper bushed

ANSI 60-1 · 19,05 mm (3/4") pitch | ANSI 80-1 · 25,40 mm (1") pitch | ANSI 100-1 · 31,75 mm (1 1/4") pitch



Pitch	Number of teeth	Diameters		Type	Bushing number	Dimensions				Plate thickness t_1	Mass Rim	Bushing	Designation	
		Outside OD	Pitch PD			Bore Min.	Bore Max.	L	H					
mm	in.	mm	mm	-	-	mm	mm	mm	mm	mm	kg	-	-	
19,05	3/4	21	137,92	127,76	B	2012	19,05	50,80	31,75	90,49	11,660	1,1	0,8	PHS 60-1TBH21
		22	144,02	133,86	B	2012	19,05	50,80	31,75	90,49	11,660	1,3	0,8	PHS 60-1TBH22
		23	150,11	139,95	B	2012	19,05	50,80	31,75	90,49	11,660	1,4	0,8	PHS 60-1TBH23
		24	156,21	146,05	B	2012	19,05	50,80	31,75	90,49	11,660	1,5	0,8	PHS 60-1TBH24
		25	162,31	151,89	B	2012	19,05	50,80	31,75	90,49	11,660	1,7	0,8	PHS 60-1TBH25
	-	26	168,40	157,99	B	2012	19,05	50,80	31,75	90,49	11,660	1,8	0,8	PHS 60-1TB26
		27	174,50	163,07	B	2012	19,05	50,80	31,75	90,49	11,660	1,9	0,8	PHS 60-1TB27
		28	180,59	170,18	B	2012	19,05	50,80	31,75	90,49	11,660	2,1	0,8	PHS 60-1TB28
		30	192,79	182,12	B	2012	19,05	50,80	31,75	90,49	11,660	2,4	0,8	PHS 60-1TB30
		32	204,72	194,31	B	2012	19,05	50,80	31,75	90,49	11,660	2,5	0,8	PHS 60-1TB32
		35	223,01	212,60	B	2012	19,05	50,80	31,75	90,49	11,660	2,9	0,8	PHS 60-1TB35
		36	229,11	218,69	B	2012	19,05	50,80	31,75	90,49	11,660	3,0	0,8	PHS 60-1TB36
		40	253,49	242,82	B	2012	19,05	50,80	31,75	90,49	11,660	3,8	0,8	PHS 60-1TB40
		42	265,68	255,02	B	2012	19,05	50,80	31,75	90,49	11,660	4,5	0,8	PHS 60-1TB42
		45	283,97	273,05	B	2012	19,05	50,80	31,75	90,49	11,660	5,2	0,8	PHS 60-1TB45
		48	302,01	291,34	B	2012	19,05	50,80	31,75	90,49	11,660	6,0	0,8	PHS 60-1TB48
		54	338,58	327,66	B	2517	19,05	63,50	44,45	107,95	11,660	7,8	1,6	PHS 60-1TB54
		60	374,90	363,98	B	2517	19,05	63,50	44,45	107,95	11,660	9,5	1,6	PHS 60-1TB60
		70	435,61	424,69	B	2517	19,05	63,50	44,45	107,95	11,660	12,5	1,6	PHS 60-1TB70
		72	447,80	436,63	B	2517	19,05	63,50	44,45	107,95	11,660	13,6	1,6	PHS 60-1TB72
80	496,32	485,14	B	2517	19,05	63,50	44,45	107,95	11,660	16,5	1,6	PHS 60-1TB80		
84	520,45	509,52	B	2517	19,05	63,50	44,45	107,95	11,660	18,4	1,6	PHS 60-1TB84		
25,40	1	10	93,47	82,30	B	1215	15,88	31,75	38,10	60,33	14,600	0,5	0,4	PHS 80-1TBH10
		11	101,85	90,17	B	1215	15,88	31,75	38,10	62,71	14,600	0,7	0,4	PHS 80-1TBH11
		12	109,98	98,04	B	1615	12,70	41,28	38,10	76,20	14,600	0,8	0,5	PHS 80-1TBH12
		13	118,36	106,17	B	1615	12,70	41,28	38,10	76,20	14,600	1,0	0,5	PHS 80-1TBH13
		14	126,49	114,05	B	1615	12,70	41,28	38,10	82,55	14,600	1,1	0,5	PHS 80-1TBH14
		15	134,62	122,17	B	1615	12,70	41,28	38,10	82,55	14,600	1,2	0,5	PHS 80-1TBH15
		16	143,00	130,30	B	2012	19,05	50,80	31,75	90,49	14,600	1,3	0,8	PHS 80-1TBH16
		17	151,13	138,18	B	2012	19,05	50,80	31,75	90,49	14,600	1,4	0,8	PHS 80-1TBH17
		18	159,26	146,30	B	2012	19,05	50,80	31,75	90,49	14,600	1,2	0,8	PHS 80-1TBH18
		19	167,39	154,43	B	2012	19,05	50,80	31,75	90,49	14,600	1,9	0,8	PHS 80-1TBH19
		20	175,51	162,31	B	2517	19,05	63,50	44,45	107,95	14,600	2,5	0,8	PHS 80-1TBH20
		21	183,90	170,43	B	2517	19,05	63,50	44,45	107,95	14,600	2,7	1,6	PHS 80-1TBH21
		22	191,77	178,56	B	2517	19,05	63,50	44,45	107,95	14,600	3,0	1,6	PHS 80-1TBH22
		23	200,15	186,44	B	2517	19,05	63,50	44,45	107,95	14,600	3,2	1,6	PHS 80-1TBH23
	24	208,28	194,56	B	2517	19,05	63,50	44,45	107,95	14,600	3,4	1,6	PHS 80-1TBH24	
	25	216,41	202,69	B	2517	19,05	63,50	44,45	107,95	14,600	3,7	1,6	PHS 80-1TBH25	
	26	224,54	210,82	B	2517	19,05	63,50	44,45	107,95	14,600	4,0	1,6	PHS 80-1TB26	
	27	232,66	218,69	B	2517	19,05	63,50	44,45	107,95	14,600	4,1	1,6	PHS 80-1TB27	
	28	240,54	226,82	B	2517	19,05	63,50	44,45	107,95	14,600	4,3	1,6	PHS 80-1TB28	
	30	256,79	243,08	B	2517	19,05	63,50	44,45	107,95	14,600	5,2	1,6	PHS 80-1TB30	
	32	273,05	259,08	B	2517	19,05	63,50	44,45	107,95	14,600	5,4	1,6	PHS 80-1TB32	
	35	297,43	283,46	B	2517	19,05	63,50	44,45	107,95	14,600	6,9	1,6	PHS 80-1TB35	
	36	305,56	291,34	B	2517	19,05	63,50	44,45	107,95	14,600	7,7	1,6	PHS 80-1TB36	
	40	338,07	323,85	B	2517	19,05	63,50	44,45	107,95	14,600	9,5	1,6	PHS 80-1TB40	
	45	378,46	364,24	B	2517	19,05	63,50	44,45	107,95	14,600	12,0	1,6	PHS 80-1TB45	
	48	402,84	388,37	B	2517	19,05	63,50	44,45	107,95	14,600	13,4	1,6	PHS 80-1TB48	
	54	451,36	436,88	B	2517	19,05	63,50	44,45	107,95	14,600	17,5	1,6	PHS 80-1TB54	
	60	499,87	485,39	B	2517	19,05	63,50	44,45	107,95	14,600	20,4	1,6	PHS 80-1TB60	
70	580,90	566,17	B	3020	31,75	76,20	50,80	133,35	14,600	23,7	3,0	PHS 80-1TB70		
80	661,67	646,94	B	3020	31,75	76,20	50,80	133,35	14,600	31,4	3,0	PHS 80-1TB80		
31,75	1 1/4	11	127,25	112,78	B	1615	12,70	41,28	38,10	76,20	17,580	1,2	0,5	PHS 100-1TBH11

All Type B or C sprockets, up to and including 25 tooth, are with hardened teeth as standard. For any additional size sprockets with hardened teeth, add "H" before the number of teeth, e.g. PHS 35-1TBH18.

ANSI sprockets, simplex, taper bushed

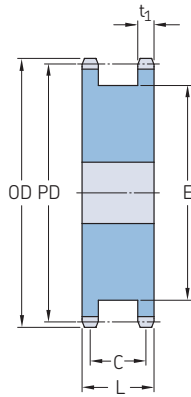
ANSI 100-1 · 31,75 mm (1 ¼") pitch | ANSI 120-1 · 38,10 mm (1 ½") pitch | ANSI 140-1 · 44,45 mm (1 ¾") pitch |
ANSI 160-1 · 50,80 mm (2") pitch

Pitch		Number of teeth	Diameters		Type	Bushing number	Dimensions				Plate thickness t_1	Mass Rim	Bushing	Designation		
			Outside	Pitch			Bore	Min.	Max.	L					H	
mm	in.	–	OD	PD	–	–	mm	mm	mm		kg	–				
31,75	1 ¼	12	137,67	122,68	B	1615	12,70	41,28	38,10	82,55	17,580	1,6	0,5	PHS 100-1TBH12		
		13	147,83	132,59	B	2012	19,05	50,80	31,75	90,49	17,580	1,6	0,8	PHS 100-1TBH13		
		14	158,24	142,75	B	2012	19,05	50,80	31,75	90,49	17,580	1,8	0,8	PHS 100-1TBH14		
		15	168,40	152,65	B	2517	19,05	63,50	44,45	107,95	17,580	2,3	1,6	PHS 100-1TBH15		
		16	178,56	162,81	B	2517	19,05	63,50	44,45	114,30	17,580	2,9	1,6	PHS 100-1TBH16		
		17	188,98	172,72	B	2517	19,05	63,50	44,45	114,30	17,580	3,2	1,6	PHS 100-1TBH17		
		18	199,14	182,88	B	2517	19,05	63,50	44,45	114,30	17,580	3,5	1,6	PHS 100-1TBH18		
		19	209,30	192,79	B	2517	19,05	63,50	44,45	114,30	17,580	4,0	1,6	PHS 100-1TBH19		
		20	219,46	202,95	B	2517	19,05	63,50	44,45	114,30	17,580	4,4	1,6	PHS 100-1TBH20		
		21	229,62	213,11	B	2517	19,05	63,50	44,45	114,30	17,580	4,8	1,6	PHS 100-1TBH21		
		22	239,78	223,01	B	2517	19,05	63,50	44,45	114,30	17,580	5,0	1,6	PHS 100-1TBH22		
		24	260,10	243,33	B	2517	19,05	63,50	44,45	114,30	17,580	5,9	1,6	PHS 100-1TBH24		
		26	280,42	263,40	B	2517	19,05	63,50	44,45	114,30	17,580	6,8	1,6	PHS 100-1TB26		
		28	300,74	283,46	B	3020	31,75	76,20	50,80	133,35	17,580	7,5	3,0	PHS 100-1TB28		
		30	321,06	303,78	B	3020	31,75	76,20	50,80	133,35	17,580	10,0	3,0	PHS 100-1TB30		
		32	341,38	323,85	B	3020	31,75	76,20	50,80	133,35	17,580	10,4	3,0	PHS 100-1TB32		
		35	371,86	354,33	B	3020	31,75	76,20	50,80	133,35	17,580	12,7	3,0	PHS 100-1TB35		
		36	382,02	364,24	B	3020	31,75	76,20	50,80	133,35	17,580	14,1	3,0	PHS 100-1TB36		
		40	422,40	404,62	B	3020	31,75	76,20	50,80	133,35	17,580	16,8	3,0	PHS 100-1TB40		
		45	473,20	455,17	B	3020	31,75	76,20	50,80	133,35	17,580	20,9	3,0	PHS 100-1TB45		
		48	503,43	485,39	B	3020	31,75	76,20	50,80	133,35	17,580	24,0	3,0	PHS 100-1TB48		
		54	564,13	546,10	B	3020	31,75	76,20	50,80	133,35	17,580	28,1	3,0	PHS 100-1TB54		
		60	624,84	606,55	B	3020	31,75	76,20	50,80	133,35	17,580	32,7	3,0	PHS 100-1TB60		
		38,10	1 ½	12	165,10	147,32	B	2012	19,05	50,80	31,75	90,49	23,470	2,5	0,8	PHS 120-1TBH12
				13	175,26	159,26	B	2517	19,05	63,50	44,45	107,95	23,470	2,7	1,6	PHS 120-1TBH13
				14	189,74	171,20	B	2517	19,05	63,50	44,45	107,95	23,470	3,2	1,6	PHS 120-1TBH14
				15	202,18	183,13	B	2517	19,05	63,50	44,45	107,95	23,470	3,6	1,6	PHS 120-1TBH15
				16	214,38	195,33	B	3020	31,75	76,20	50,80	133,35	23,470	4,5	3,0	PHS 120-1TBH16
				17	226,57	207,26	B	3020	31,75	76,20	50,80	133,35	23,470	5,0	3,0	PHS 120-1TBH17
				18	239,01	219,46	B	3020	31,75	76,20	50,80	133,35	23,470	5,4	3,0	PHS 120-1TBH18
				19	251,21	231,39	B	3020	31,75	76,20	50,80	133,35	23,470	6,4	3,0	PHS 120-1TBH19
				20	263,40	243,59	B	3020	31,75	76,20	50,80	133,35	23,470	7,0	3,0	PHS 120-1TBH20
				21	275,59	255,52	B	3020	31,75	76,20	50,80	133,35	23,470	7,9	3,0	PHS 120-1TBH21
				24	312,17	291,85	B	3020	31,75	76,20	50,80	133,35	23,470	10,7	3,0	PHS 120-1TBH24
				26	336,55	315,98	B	3020	31,75	76,20	50,80	133,35	23,470	12,9	3,0	PHS 120-1TB26
				30	385,32	364,49	B	3020	31,75	76,20	50,80	133,35	23,470	15,2	3,0	PHS 120-1TB30
35	446,28			424,94	C	3020	31,75	76,20	50,80	133,35	23,470	23,6	3,0	PHS 120-1TB35		
45	567,69			546,10	C	3030	31,75	76,20	76,20	149,23	23,470	37,2	4,2	PHS 120-1TB45		
60	749,81			727,96	C	3535	38,10	88,90	88,90	165,10	23,470	63,5	6,4	PHS 120-1TB60		
70	871,22			849,12	C	3535	38,10	88,90	88,90	165,10	23,470	79,4	6,4	PHS 120-1TB70		
80	992,63			970,53	C	3535	38,10	82,55	88,90	165,10	23,470	99,8	6,4	PHS 120-1TB80		
44,45	1 ¾			12	192,53	171,70	B	2517	19,05	63,50	44,45	107,95	23,470	3,2	1,6	PHS 140-1TBH12
				13	207,01	185,67	B	3020	31,75	76,20	50,80	133,35	23,470	3,6	3,0	PHS 140-1TBH13
				14	221,49	199,64	B	3020	31,75	76,20	50,80	133,35	23,470	4,5	3,0	PHS 140-1TBH14
				15	235,71	213,87	B	3020	31,75	76,20	50,80	133,35	23,470	5,4	3,0	PHS 140-1TBH15
		16	250,19	227,84	B	3020	31,75	76,20	50,80	133,35	23,470	6,4	3,0	PHS 140-1TBH16		
		17	264,41	241,81	B	3020	31,75	76,20	50,80	133,35	23,470	7,3	3,0	PHS 140-1TBH17		
		18	278,64	256,03	B	3020	31,75	76,20	50,80	133,35	23,470	8,2	3,0	PHS 140-1TBH18		
		19	293,12	270,00	B	3020	31,75	76,20	50,80	133,35	23,470	9,1	3,0	PHS 140-1TBH19		
		21	321,56	298,20	B	3020	31,75	76,20	50,80	133,35	23,470	10,9	3,0	PHS 140-1TBH21		
		26	392,68	368,81	B	3020	31,75	76,20	50,80	133,35	23,470	18,1	3,0	PHS 140-1TB26		
		35	520,45	495,81	C	3535	38,10	88,90	88,90	165,10	23,470	35,4	6,4	PHS 140-1TB35		
		45	662,43	637,29	C	4040	44,45	101,60	101,60	196,85	23,470	53,5	10,0	PHS 140-1TB45		
		60	874,78	849,38	C	4040	44,45	101,60	101,60	196,85	23,470	85,3	10,0	PHS 140-1TB60		
		70	1016,51	990,85	C	4040	44,45	101,60	101,60	196,85	23,470	109,3	10,0	PHS 140-1TB70		
		50,80	2	11	203,45	180,34	B	2517	19,05	63,50	44,45	107,95	29,360	4,1	1,6	PHS 160-1TBH11
				12	219,96	196,34	B	3020	31,75	76,20	50,80	133,35	29,360	5,0	3,0	PHS 160-1TBH12
				13	236,47	212,34	B	3020	31,75	76,20	50,80	133,35	29,360	5,9	3,0	PHS 160-1TBH13
				14	252,98	228,35	B	3020	31,75	76,20	50,80	133,35	29,360	7,3	3,0	PHS 160-1TBH14
				15	269,49	244,35	B	3535	38,10	88,90	88,90	165,10	29,360	11,3	6,4	PHS 160-1TBH15
				16	286,00	260,35	B	3535	38,10	88,90	88,90	165,10	29,360	12,7	6,4	PHS 160-1TBH16
17	302,26			276,35	B	3535	38,10	88,90	88,90	165,10	29,360	14,5	6,4	PHS 160-1TBH17		
18	318,52			292,61	B	3535	38,10	88,90	88,90	165,10	29,360	15,9	6,4	PHS 160-1TBH18		
19	335,03			308,61	B	3535	38,10	88,90	88,90	165,10	29,360	17,7	6,4	PHS 160-1TBH19		
21	367,54			340,87	B	3535	38,10	88,90	88,90	165,10	29,360	21,8	6,4	PHS 160-1TBH21		
26	448,82			421,39	B	3535	38,10	88,90	88,90	165,10	29,360	30,8	6,4	PHS 160-1TB26		
35	594,87			566,67	C	4040	44,45	101,60	101,60	196,85	29,360	53,5	6,4	PHS 160-1TB35		
45	756,92			728,22	C	4040	44,45	101,60	101,60	196,85	29,360	84,4	10,0	PHS 160-1TB45		
60	999,74			970,79	C	4545	53,98	114,30	114,30	196,85	29,360	132,5	13,6	PHS 160-1TB60		

All Type B or C sprockets, up to and including 25 tooth, are with hardened teeth as standard.
For any additional size sprockets with hardened teeth, add "H" before the number of teeth, e.g. PHS 35-1TBH18.

ANSI sprockets, double simplex, pilot bore

ANSI 40-1 · 12,70 mm (1/2") pitch | ANSI 50-1 · 15,88 mm (5/8") pitch | ANSI 60-1 · 19,05 mm (3/4") pitch |
 ANSI 80-1 · 25,40 mm (1") pitch | ANSI 100-1 · 31,75 mm (1 1/4") pitch



Type A

Pitch Pitch	Number of teeth	Diameters		Type	Dimensions					Plate thickness t ₁	Mass	Designation		
		Outside	Pitch		Bore		L	C	E					
mm	in.	mm	mm	-	mm	mm	mm	mm	mm	mm	kg	-		
12,70	1/2	15	67,31	60,96	A	12,70	31,75	35,72	28,58	46,04	7,210	0,5	PHS 40-1DSA15	
		16	71,37	65,02	A	12,70	31,75	35,72	28,58	50,80	7,210	0,6	PHS 40-1DSA16	
		17	75,69	69,09	A	12,70	33,34	35,72	28,58	53,98	7,210	0,7	PHS 40-1DSA17	
		18	79,76	73,15	A	12,70	38,10	35,72	28,58	58,74	7,210	0,8	PHS 40-1DSA18	
		19	83,82	77,22	A	15,88	42,86	35,72	28,58	63,50	7,210	1,0	PHS 40-1DSA19	
	20	87,88	81,28	A	15,88	44,45	35,72	28,58	66,68	7,210	1,2	PHS 40-1DSA20		
	21	91,95	85,34	A	15,88	44,45	35,72	28,58	70,64	7,210	1,3	PHS 40-1DSA21		
	22	96,01	89,15	A	15,88	46,04	35,72	28,58	74,61	7,210	1,4	PHS 40-1DSA22		
	23	100,08	93,22	A	15,88	52,39	35,72	28,58	53,18	7,210	1,6	PHS 40-1DSA23		
	24	104,14	97,28	A	15,88	57,15	35,72	28,58	57,55	7,210	1,8	PHS 40-1DSA24		
	25	108,20	101,35	A	15,88	57,15	35,72	28,58	61,91	7,210	2,0	PHS 40-1DSA25		
	15,88	5/8	15	84,33	76,45	A	15,88	38,10	42,07	30,16	60,33	8,710	1,0	PHS 50-1DSA15
			16	89,41	81,28	A	15,88	42,86	42,07	33,34	63,50	8,710	1,1	PHS 50-1DSA16
			17	94,49	86,36	A	15,88	44,45	42,07	33,34	68,26	8,710	1,3	PHS 50-1DSA17
			18	99,57	91,44	A	15,88	47,63	42,07	33,34	73,42	8,710	1,5	PHS 50-1DSA18
			19	104,65	96,52	A	15,88	52,39	42,07	33,34	78,18	8,710	1,7	PHS 50-1DSA19
20		109,73	101,60	A	15,88	57,15	42,07	33,34	83,34	8,710	1,9	PHS 50-1DSA20		
21		114,81	106,43	A	15,88	57,15	42,07	33,34	88,50	8,710	2,2	PHS 50-1DSA21		
22		119,89	111,51	A	15,88	61,91	42,07	33,34	93,66	8,710	2,4	PHS 50-1DSA22		
23		124,97	116,59	A	15,88	66,68	42,07	33,34	98,82	8,710	2,6	PHS 50-1DSA23		
24		130,05	121,67	A	15,88	69,85	42,07	33,34	103,58	8,710	2,9	PHS 50-1DSA24		
19,05		3/4	13	88,65	79,50	A	19,05	31,75	49,21	37,70	59,53	11,660	1,2	PHS 60-1DSA13
			14	95,00	85,60	A	19,05	33,34	49,21	37,70	65,09	11,660	1,5	PHS 60-1DSA14
			15	101,09	91,69	A	19,05	38,10	49,21	37,70	73,03	11,660	1,7	PHS 60-1DSA15
			16	107,19	97,54	A	19,05	42,86	49,21	37,70	77,39	11,660	2,0	PHS 60-1DSA16
			17	113,28	103,63	A	19,05	44,45	49,21	37,70	82,55	11,660	2,4	PHS 60-1DSA17
			18	119,38	109,73	A	19,05	47,63	49,21	37,70	88,90	11,660	3,0	PHS 60-1DSA18
	19		125,73	115,82	A	19,05	52,39	49,21	37,70	94,06	11,660	3,1	PHS 60-1DSA19	
	20	131,83	121,67	A	19,05	57,15	49,21	37,70	100,41	11,660	3,2	PHS 60-1DSA20		
	21	137,92	127,76	A	19,05	69,85	49,21	37,70	106,36	11,660	3,4	PHS 60-1DSA21		
	22	144,02	133,86	A	19,05	69,85	49,21	37,70	112,71	11,660	5,0	PHS 60-1DSA22		
	23	150,11	139,95	A	19,05	69,85	49,21	37,70	118,27	11,660	5,2	PHS 60-1DSA23		
	24	156,21	146,05	A	19,05	69,85	49,21	37,70	131,76	11,660	5,4	PHS 60-1DSA24		
	25,40	1	13	118,36	106,17	A	25,40	50,80	55,56	41,28	76,60	14,600	3,0	PHS 80-1DSA13
			14	126,49	114,05	A	25,40	57,15	55,56	41,28	84,93	14,600	3,5	PHS 80-1DSA14
			15	134,62	122,17	A	25,40	60,33	55,56	41,28	96,84	14,600	4,1	PHS 80-1DSA15
			16	143,00	130,30	A	25,40	68,26	55,56	41,28	101,60	14,600	4,3	PHS 80-1DSA16
17			151,13	138,18	A	25,40	71,44	55,56	41,28	109,54	14,600	4,9	PHS 80-1DSA17	
18			159,26	146,30	A	25,40	79,38	55,56	41,28	117,87	14,600	5,5	PHS 80-1DSA18	
19			167,39	154,43	A	25,40	82,55	55,56	41,28	125,81	14,600	5,8	PHS 80-1DSA19	
20		175,51	162,31	A	25,40	88,90	55,56	41,28	134,14	14,600	6,4	PHS 80-1DSA20		
21		183,90	170,43	A	25,40	95,25	55,56	41,28	142,08	14,600	7,5	PHS 80-1DSA21		
22		192,02	178,56	A	25,40	98,43	55,56	41,28	150,42	14,600	8,4	PHS 80-1DSA22		
23		200,15	186,44	A	25,40	98,43	55,56	41,28	158,35	14,600	9,3	PHS 80-1DSA23		
31,75		1 1/4	13	147,83	132,59	A	25,40	63,50	68,26	50,80	96,04	17,580	5,1	PHS 100-1DSA13
			14	158,24	142,75	A	31,75	69,85	68,26	50,80	106,36	17,580	6,1	PHS 100-1DSA14
			15	168,40	152,65	A	31,75	77,79	68,26	50,80	116,68	17,580	7,6	PHS 100-1DSA15
			16	178,56	162,81	A	31,75	82,55	68,26	50,80	127,00	17,580	8,8	PHS 100-1DSA16
			17	188,98	172,72	A	31,75	92,08	68,26	50,80	137,32	17,580	9,8	PHS 100-1DSA17
	18	199,14	182,88	A	31,75	95,25	68,26	50,80	147,24	17,580	10,4	PHS 100-1DSA18		
	19	209,30	192,79	A	31,75	106,36	68,26	50,80	157,56	17,580	11,3	PHS 100-1DSA19		
	20	219,46	202,95	A	31,75	106,36	68,26	50,80	167,88	17,580	12,0	PHS 100-1DSA20		

All Type B or C sprockets, up to and including 25 tooth, are with hardened teeth as standard.
 For any additional size sprockets with hardened teeth, add "H" before the number of teeth, e.g. PHS 40-1DSAH15.

ANSI sprockets, double simplex, pilot bore

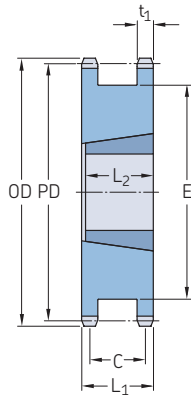
ANSI 100-1 · 31,75 mm (1¼") pitch | ANSI 120-1 · 38,10 mm (1½") pitch | ANSI 140-1 · 44,45 mm (1¾") pitch |
ANSI 160-1 · 50,80 mm (2") pitch

Pitch		Number of teeth	Diameters		Pitch	Type	Dimensions					Plate thickness t_t	Mass	Designation
Pitch			Outside				Bore							
			OD	PD		Min.	Max.	L	C	E				
mm	in.	–	mm		–	mm						kg	–	
31,75	1¼	21	229,62	213,11	A	31,75	133,35	68,26	50,80	177,80	17,580	13,2	PHS 100-1DSA21	
38,10	1½	15	202,18	183,13	A	36,51	95,25	84,93	61,91	139,70	23,470	13,6	PHS 120-1DSA15	
		16	214,38	195,33	A	36,51	101,60	84,93	61,91	152,40	23,470	15,4	PHS 120-1DSA16	
		17	226,57	207,26	A	36,51	112,71	84,93	61,91	164,70	23,470	16,8	PHS 120-1DSA17	
		18	239,01	219,46	A	36,51	131,76	84,93	61,91	164,70	23,470	19,1	PHS 120-1DSA18	
		19	251,21	231,39	A	36,51	139,70	84,93	61,91	189,31	23,470	21,3	PHS 120-1DSA19	
		20	263,40	243,59	A	36,51	150,81	84,93	61,91	201,61	23,470	23,1	PHS 120-1DSA20	
44,45	1¾	14	221,49	199,64	A	36,51	98,43	91,68	68,26	149,23	23,470	15,9	PHS 140-1DSA14	
		15	235,71	213,87	A	36,51	112,71	91,68	68,26	163,91	23,470	19,5	PHS 140-1DSA15	
		16	250,19	227,84	A	36,51	133,35	91,68	68,26	178,20	23,470	22,2	PHS 140-1DSA16	
		17	264,41	241,81	A	36,51	141,29	91,68	68,26	192,48	23,470	26,3	PHS 140-1DSA17	
		18	278,89	256,03	A	36,51	155,58	91,68	68,26	206,77	23,470	29,9	PHS 140-1DSA18	
50,80	2	15	269,49	244,35	A	42,86	139,70	107,95	78,58	187,33	23,470	31,3	PHS 160-1DSA15	
		16	286,00	260,35	A	42,86	152,40	107,95	78,58	203,60	23,470	34,0	PHS 160-1DSA16	
		17	302,26	276,35	A	42,86	165,10	107,95	78,58	219,87	23,470	41,7	PHS 160-1DSA17	
		18	318,52	292,61	A	42,86	173,04	107,95	78,58	236,54	23,470	44,0	PHS 160-1DSA18	

All Type B or C sprockets, up to and including 25 tooth, are with hardened teeth as standard.
For any additional size sprockets with hardened teeth, add "H" before the number of teeth, e.g. PHS 40-1DSAH15.

ANSI sprockets, double simplex, taper bushed

ANSI 40-1 · 12,70 mm (1/2") pitch | ANSI 50-1 · 15,88 mm (5/8") pitch | ANSI 60-1 · 19,05 mm (3/4") pitch |
ANSI 80-1 · 25,40 mm (1") pitch | ANSI 100-1 · 31,75 mm (1 1/4") pitch



Type A taper bush

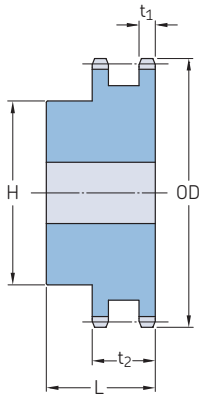
Pitch	Number of teeth	Diameters		Type	Bushing number	Dimensions		L1	C	E	L2	Plate thickness t ₁	Mass ¹⁾	Designation		
		Outside OD	Pitch PD			Min.	Max.									
mm	in.	mm	mm	-	-	mm	mm	mm	mm	mm	mm	mm	kg	-		
12,70	1/2	18	79,76	73,15	A	1215	12,70	31,75	35,72	28,58	58,74	38,10	7,210	0,5	PHS 40-1DSTBH18	
		19	83,82	77,22	A	1215	12,70	31,75	35,72	28,58	63,50	38,10	7,210	0,5	PHS 40-1DSTBH19	
		20	87,88	81,28	A	1215	12,70	31,75	35,72	28,58	66,68	38,10	7,210	0,6	PHS 40-1DSTBH20	
		21	91,95	85,34	A	1615	12,70	41,28	35,72	28,58	70,64	38,10	7,210	0,6	PHS 40-1DSTBH21	
		23	100,08	93,22	A	1615	12,70	41,28	35,72	28,58	78,58	38,10	7,210	0,7	PHS 40-1DSTBH23	
		24	104,14	97,28	A	1615	12,70	41,28	35,72	28,58	82,95	38,10	7,210	0,8	PHS 40-1DSTBH24	
	15,88	5/8	16	89,41	81,28	A	1215	12,70	41,28	42,07	33,34	63,10	38,10	8,710	1,4	PHS 50-1DSTBH16
			17	94,49	86,36	A	1615	12,70	41,28	42,07	33,34	68,26	38,10	8,710	0,8	PHS 50-1DSTBH17
			18	99,57	91,44	A	1615	12,70	41,28	42,07	33,34	73,42	38,10	8,710	1,0	PHS 50-1DSTBH18
			19	104,65	96,52	A	1615	12,70	41,28	42,07	33,34	78,18	38,10	8,710	1,2	PHS 50-1DSTBH19
20			109,73	101,60	A	1615	12,70	41,28	42,07	33,34	83,34	38,10	8,710	2,3	PHS 50-1DSTBH20	
		21	114,81	106,43	A	2012	12,70	50,80	42,07	33,34	88,50	31,75	8,710	1,5	PHS 50-1DSTBH21	
		23	124,97	116,59	A	2012	12,70	50,80	42,07	33,34	98,82	31,75	8,710	1,7	PHS 50-1DSTBH23	
		24	130,05	121,67	A	2012	12,70	50,80	42,07	33,34	103,58	31,75	8,710	1,9	PHS 50-1DSTBH24	
19,05		3/4	16	107,19	97,54	A	1615	12,70	41,28	49,21	37,70	75,80	38,10	11,660	2,0	PHS 60-1DSTBH16
			17	113,28	101,60	A	1615	12,70	41,28	49,21	37,70	81,76	38,10	11,660	2,0	PHS 60-1DSTBH17
	18		119,38	109,73	A	2012	12,70	50,80	49,21	37,70	88,11	31,75	11,660	2,3	PHS 60-1DSTBH18	
	19		125,73	115,82	A	2012	12,70	50,80	49,21	37,70	94,06	31,75	11,660	2,6	PHS 60-1DSTBH19	
	20		131,83	121,67	A	2517	12,70	63,50	49,21	37,70	100,41	44,45	11,660	2,5	PHS 60-1DSTBH20	
		21	137,92	127,76	A	2517	12,70	63,50	49,21	37,70	106,36	44,45	11,660	2,9	PHS 60-1DSTBH21	
		23	150,11	139,95	A	2517	12,70	63,50	49,21	37,70	118,67	44,45	11,660	3,3	PHS 60-1DSTBH23	
		24	156,21	146,05	A	2517	12,70	63,50	49,21	37,70	131,76	44,45	11,660	3,7	PHS 60-1DSTBH24	
	25,40	1	17	151,13	138,18	A	2517	12,70	63,50	55,56	41,28	109,54	44,45	14,600	3,5	PHS 80-1DSTBH17
			18	159,26	146,30	A	2517	12,70	63,50	55,56	41,28	120,65	44,45	14,600	4,0	PHS 80-1DSTBH18
19			167,39	154,43	A	3020	23,81	76,20	55,56	41,28	125,81	50,80	14,600	4,4	PHS 80-1DSTBH19	
20			175,51	162,31	A	3020	23,81	76,20	55,56	41,28	134,14	50,80	14,600	4,5	PHS 80-1DSTBH20	
21			183,90	170,43	A	3020	23,81	76,20	55,56	41,28	142,08	50,80	14,600	5,4	PHS 80-1DSTBH21	
		22	192,02	178,56	A	3020	23,81	76,20	55,56	41,28	142,08	50,80	14,600	5,9	PHS 80-1DSTBH22	
		23	200,15	186,44	A	3020	23,81	76,20	55,56	41,28	158,35	50,80	14,600	6,6	PHS 80-1DSTBH23	
31,75		1 1/4	15	168,40	152,65	A	2517	19,05	63,50	68,26	50,80	116,68	44,45	17,580	5,7	PHS 100-1DSTBH15
			16	178,56	162,81	A	2517	19,05	63,50	68,26	50,80	127,00	44,45	17,580	5,9	PHS 100-1DSTBH16
			17	188,98	172,72	A	3020	23,81	76,20	68,26	50,80	137,32	50,80	17,580	6,4	PHS 100-1DSTBH17
	18		199,14	182,88	A	3020	23,81	76,20	68,26	50,80	147,24	50,80	17,580	7,3	PHS 100-1DSTBH18	
	19		209,30	192,79	A	3020	23,81	76,20	68,26	50,80	157,56	50,80	17,580	9,1	PHS 100-1DSTBH19	
		20	219,46	202,95	A	3020	23,81	76,20	68,26	50,80	167,88	44,45	17,580	12,5	PHS 100-1DSTBH20	
		21	229,62	213,11	A	3020	23,81	76,20	68,26	50,80	177,80	50,80	17,580	12,5	PHS 100-1DSTBH21	

¹⁾ Mass for rim only

All Type B or C sprockets, up to and including 25 tooth, are with hardened teeth as standard.
For any additional size sprockets with hardened teeth, add "H" before the number of teeth, e.g. PHS 40-1DSTBH18.

ANSI sprockets, duplex, pilot bore

ANSI 35-2 · 9,53 mm (3/8") pitch | ANSI 40-2 · 12,70 mm (1/2") pitch



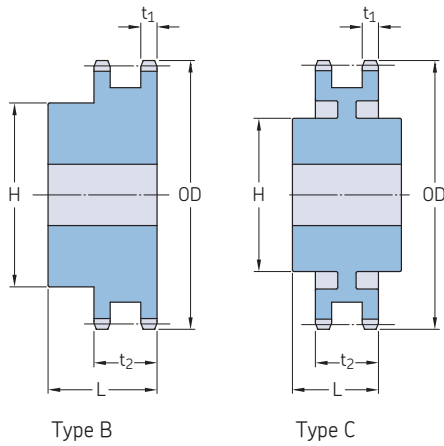
Type B

Pitch	Number of teeth	Outside diameter	Type	Dimensions Bore				Plate thickness		Mass	Designation		
				Min.	Max.	H	L	t ₁	t ₂				
mm	in.	mm	—	mm	mm	mm	mm	mm	mm	kg	—		
9,53	3/8	12	B	12,70	14,29	25,00	31,75	4,110	14,250	0,15	PHS 35-2BH12		
		13	B	12,70	17,46	28,18	31,75	4,110	14,250	0,16	PHS 35-2BH13		
		14	B	12,70	22,23	31,75	31,75	4,110	14,250	0,20	PHS 35-2BH14		
		15	B	12,70	23,81	35,72	31,75	4,110	14,250	0,25	PHS 35-2BH15		
		16	B	12,70	23,81	37,31	31,75	4,110	14,250	0,29	PHS 35-2BH16		
		17	B	12,70	17,46	40,48	31,75	4,110	14,250	0,34	PHS 35-2BH17		
		18	B	12,70	20,64	43,66	31,75	4,110	14,250	0,38	PHS 35-2BH18		
		19	B	12,70	23,81	47,63	31,75	4,110	14,250	0,44	PHS 35-2BH19		
		20	B	19,05	23,81	49,21	34,93	4,110	14,250	0,49	PHS 35-2BH20		
		21	B	19,05	34,93	52,39	34,93	4,110	14,250	0,56	PHS 35-2BH21		
		22	B	19,05	36,51	55,56	34,93	4,110	14,250	0,64	PHS 35-2BH22		
		23	B	19,05	38,10	57,15	34,93	4,110	14,250	0,70	PHS 35-2BH23		
		24	B	19,05	38,10	57,15	34,93	4,110	14,250	0,73	PHS 35-2BH24		
		25	B	19,05	38,10	57,15	34,93	4,110	14,250	0,75	PHS 35-2BH25		
		26	B	19,05	44,45	63,50	34,93	4,110	14,250	0,90	PHS 35-2B26		
		30	B	19,05	44,45	63,50	34,93	4,110	14,250	1,06	PHS 35-2B30		
		36	B	19,05	44,45	63,50	34,93	4,110	14,250	1,36	PHS 35-2B36		
		42	B	19,05	44,45	63,50	34,93	4,110	14,250	1,72	PHS 35-2B42		
		48	B	19,05	44,45	63,50	34,93	4,110	14,250	2,11	PHS 35-2B48		
		52	B	19,05	44,45	63,50	34,93	4,110	14,250	2,45	PHS 35-2B52		
		60	B	19,05	44,45	63,50	34,93	4,110	14,250	3,10	PHS 35-2B60		
		68	B	19,05	60,33	88,90	38,10	4,110	14,250	4,54	PHS 35-2B68		
		72	B	19,05	60,33	88,90	38,10	4,110	14,250	5,01	PHS 35-2B72		
		76	B	19,05	60,33	88,90	38,10	4,110	14,250	5,42	PHS 35-2B76		
		84	B	19,05	60,33	88,90	38,10	4,110	14,250	6,79	PHS 35-2B84		
		95	B	25,40	60,33	88,90	38,10	4,110	14,250	7,90	PHS 35-2B95		
		96	B	25,40	60,33	88,90	38,10	4,110	14,250	8,23	PHS 35-2B96		
		102	B	25,40	60,33	88,90	38,10	4,110	14,250	9,04	PHS 35-2B102		
		12,70	1/2	11	B	12,70	19,05	36,51	38,10	6,990	21,360	0,28	PHS 40-2BH11
				12	B	12,70	23,81	39,69	38,10	6,990	21,360	0,34	PHS 40-2BH12
13	B			12,70	25,40	38,10	38,10	6,990	21,360	0,39	PHS 40-2BH13		
14	B			12,70	28,58	42,86	38,10	6,990	21,360	0,49	PHS 40-2BH14		
15	B			12,70	31,75	46,04	38,10	6,990	21,360	0,56	PHS 40-2BH15		
16	B			15,88	34,93	50,80	38,10	6,990	21,360	0,64	PHS 40-2BH16		
17	B			15,88	36,51	53,98	38,10	6,990	21,360	0,74	PHS 40-2BH17		
18	B			15,88	38,10	58,74	38,10	6,990	21,360	0,87	PHS 40-2BH18		
19	B			15,88	44,45	63,50	38,10	6,990	21,360	1,01	PHS 40-2BH19		
20	B			15,88	47,63	66,68	41,28	6,990	21,360	1,20	PHS 40-2BH20		
21	B			15,88	47,63	69,85	41,28	6,990	21,360	1,33	PHS 40-2BH21		
22	B			15,88	47,63	73,03	41,28	6,990	21,360	1,44	PHS 40-2BH22		
23	B			15,88	50,80	76,20	41,28	6,990	21,360	1,60	PHS 40-2BH23		
24	B			15,88	57,15	82,55	41,28	6,990	21,360	1,83	PHS 40-2BH24		
25	B			15,88	57,15	82,55	41,28	6,990	21,360	1,93	PHS 40-2BH25		
26	B			15,88	57,15	82,55	41,28	6,990	21,360	2,03	PHS 40-2B26		
30	B			22,23	57,15	82,55	41,28	6,990	21,360	2,42	PHS 40-2B30		
35	B			22,23	57,15	82,55	41,28	6,990	21,360	3,08	PHS 40-2B35		
36	B			23,81	63,50	95,25	41,28	6,990	21,360	3,27	PHS 40-2B36		
40	B			23,81	63,50	95,25	44,45	6,990	21,360	4,26	PHS 40-2B40		
42	B			23,81	63,50	95,25	44,45	6,990	21,360	4,63	PHS 40-2B42		
45	B			23,81	63,50	95,25	44,45	6,990	21,360	5,15	PHS 40-2B45		
48	B			23,81	63,50	95,25	44,45	6,990	21,360	5,74	PHS 40-2B48		
52	B			23,81	63,50	95,25	44,45	6,990	21,360	6,56	PHS 40-2B52		
54	B			23,81	63,50	95,25	44,45	6,990	21,360	7,02	PHS 40-2B54		

Maximum bores can accommodate standard keyways. Larger bores are available where a shallow keyway is used or no keyway is required. All Type B or C sprockets, up to and including 25 tooth, are with hardened teeth as standard. For any additional size sprockets with hardened teeth, add "H" before the number of teeth, e.g. PHS 35-2BH12.

ANSI sprockets, duplex, pilot bore

ANSI 40-2 · 12,70 mm (1/2") pitch | ANSI 50-2 · 15,88 mm (5/8") pitch | ANSI 60-2 · 19,05 mm (3/4") pitch



Pitch	Number of teeth	Outside diameter	Type	Dimensions Bore		H	L	Plate thickness		Mass	Designation		
				Min.	Max.			t ₁	t ₂				
mm	in.	mm	-	mm	mm					kg	-		
12,70	1/2	60	B	249,94	23,81	63,50	95,25	44,45	6,990	21,360	8,44	PHS 40-2B60	
		68	B	282,45	30,16	69,85	107,95	53,98	6,990	21,360	11,32	PHS 40-2B68	
		72	B	298,45	30,16	69,85	107,95	53,98	6,990	21,360	12,65	PHS 40-2B72	
		76	B	314,71	30,16	69,85	107,95	53,98	6,990	21,360	13,69	PHS 40-2B76	
	84	B	346,96	30,16	69,85	107,95	53,98	6,990	21,360	16,44	PHS 40-2B84		
	95	B	391,41	30,16	69,85	107,95	53,98	6,990	21,360	17,62	PHS 40-2B95		
	96	B	395,48	30,16	69,85	107,95	53,98	6,990	21,360	17,92	PHS 40-2B96		
	102	B	419,86	30,16	69,85	107,95	53,98	6,990	21,360	19,38	PHS 40-2B102		
	112	B	460,25	30,16	69,85	107,95	53,98	6,990	21,360	25,19	PHS 40-2B112		
	15,88	5/8	11	B	63,50	15,88	23,81	37,31	44,45	8,430	26,540	0,44	PHS 50-2BH11
			12	B	68,83	15,88	28,58	42,86	44,45	8,430	26,540	0,57	PHS 50-2BH12
			13	B	73,91	15,88	33,34	47,63	44,45	8,430	26,540	0,71	PHS 50-2BH13
14			B	78,99	15,88	34,93	52,39	44,45	8,430	26,540	0,84	PHS 50-2BH14	
15			B	84,33	19,05	38,10	58,74	44,45	8,430	26,540	1,01	PHS 50-2BH15	
16			B	89,41	19,05	44,45	63,50	44,45	8,430	26,540	1,19	PHS 50-2BH16	
17			B	94,49	19,05	47,63	68,26	44,45	8,430	26,540	1,38	PHS 50-2BH17	
18			B	99,57	19,05	49,21	74,61	44,45	8,430	26,540	1,62	PHS 50-2BH18	
19			B	104,65	25,40	53,98	79,38	44,45	8,430	26,540	1,77	PHS 50-2BH19	
20			B	109,73	25,40	57,15	82,55	44,45	8,430	26,540	1,93	PHS 50-2BH20	
21			B	114,81	25,40	60,33	88,90	44,45	8,430	26,540	2,22	PHS 50-2BH21	
22			B	119,89	25,40	60,33	90,49	47,63	8,430	26,540	2,53	PHS 50-2BH22	
23		B	124,97	25,40	63,50	92,08	47,63	8,430	26,540	2,77	PHS 50-2BH23		
24		B	130,05	25,40	63,50	92,08	47,63	8,430	26,540	2,95	PHS 50-2BH24		
25		B	135,13	25,40	63,50	92,08	47,63	8,430	26,540	3,15	PHS 50-2BH25		
26		B	140,21	25,40	63,50	95,25	47,63	8,430	26,540	3,42	PHS 50-2B26		
30		B	160,53	25,40	63,50	95,25	47,63	8,430	26,540	4,26	PHS 50-2B30		
32		B	170,69	25,40	63,50	95,25	47,63	8,430	26,540	4,74	PHS 50-2B32		
35		B	185,93	25,40	63,50	95,25	47,63	8,430	26,540	5,57	PHS 50-2B35		
36		B	191,01	30,16	69,85	101,60	53,98	8,430	26,540	6,32	PHS 50-2B36		
40		B	211,33	30,16	69,85	101,60	53,98	8,430	26,540	7,50	PHS 50-2B40		
42		B	221,49	30,16	69,85	101,60	53,98	8,430	26,540	8,13	PHS 50-2B42		
45		B	236,47	30,16	69,85	101,60	53,98	8,430	26,540	9,21	PHS 50-2B45		
48		B	251,71	30,16	69,85	107,95	60,33	8,430	26,540	10,92	PHS 50-2B48		
52		B	272,03	30,16	69,85	107,95	60,33	8,430	26,540	12,44	PHS 50-2B52		
54		B	282,19	30,16	69,85	107,95	60,33	8,430	26,540	13,23	PHS 50-2B54		
60		B	312,42	33,34	76,20	114,30	60,33	8,430	26,540	16,27	PHS 50-2B60		
68		B	352,81	33,34	76,20	114,30	60,33	8,430	26,540	20,40	PHS 50-2B68		
72		B	373,13	33,34	76,20	114,30	60,33	8,430	26,540	22,78	PHS 50-2B72		
76		B	393,45	33,34	76,20	114,30	60,33	8,430	26,540	20,70	PHS 50-2B76		
84		B	433,83	33,34	76,20	114,30	60,33	8,430	26,540	23,42	PHS 50-2B84		
95		B	489,46	33,34	76,20	114,30	60,33	8,430	26,540	29,18	PHS 50-2B95		
96		B	494,54	33,34	76,20	114,30	60,33	8,430	26,540	30,58	PHS 50-2B96		
102		B	524,76	33,34	76,20	114,30	60,33	8,430	26,540	32,97	PHS 50-2B102		
112		B	575,31	33,34	84,14	133,35	60,33	8,430	26,540	40,92	PHS 50-2B112		
19,05		3/4	11	B	76,20	25,40	31,75	46,04	53,98	11,280	34,060	0,73	PHS 60-2BH11
	12		B	82,55	25,40	36,51	53,98	53,98	11,280	34,060	1,00	PHS 60-2BH12	
	13		B	88,65	25,40	38,10	57,15	53,98	11,280	34,060	1,18	PHS 60-2BH13	
	14		B	95,00	25,40	44,45	63,50	53,98	11,280	34,060	1,47	PHS 60-2BH14	
	15		B	101,09	25,40	47,63	71,44	53,98	11,280	34,060	1,80	PHS 60-2BH15	
	16		B	107,19	25,40	50,80	76,20	53,98	11,280	34,060	2,10	PHS 60-2BH16	
	17	B	113,28	25,40	57,15	82,55	53,98	11,280	34,060	2,45	PHS 60-2BH17		
	18	B	119,38	25,40	60,33	88,90	53,98	11,280	34,060	2,83	PHS 60-2BH18		
	19	B	125,73	25,40	63,50	93,66	53,98	11,280	34,060	3,18	PHS 60-2BH19		
	20	B	131,83	25,40	63,50	95,25	53,98	11,280	34,060	3,50	PHS 60-2BH20		

Maximum bores can accommodate standard keyways. Larger bores are available where a shallow keyway is used or no keyway is required. All Type B or C sprockets, up to and including 25 tooth, are with hardened teeth as standard. For any additional size sprockets with hardened teeth, add "H" before the number of teeth, e.g. PHS 35-2BH12.

ANSI sprockets, duplex, pilot bore

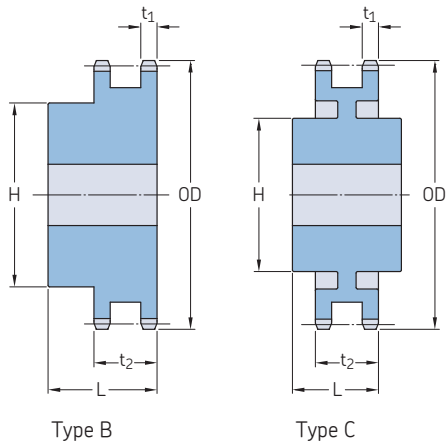
ANSI 60-2 · 19,05 mm (¾") pitch | ANSI 80-2 · 25,40 mm (1") pitch | ANSI 100-2 · 31,75 mm (1¼") pitch | ANSI 120-2 · 38,10 mm (1½") pitch

Pitch	Number of teeth	Outside diameter	Type	Dimensions				Plate thickness		Mass	Designation			
				Bore		H	L	t ₁	t ₂					
				Min.	Max.									
mm	in.	mm	mm	mm					kg	–				
19,05	¾	21	137,92	B	25,40	69,85	104,78	53,98	11,280	34,060	4,00	PHS 60-2BH21		
		22	144,02	B	25,40	69,85	107,95	53,98	11,280	34,060	4,39	PHS 60-2BH22		
		23	150,11	B	25,40	69,85	107,95	53,98	11,280	34,060	4,67	PHS 60-2BH23		
		24	156,21	B	25,40	69,85	107,95	53,98	11,280	34,060	5,05	PHS 60-2BH24		
		25	162,31	B	25,40	69,85	107,95	53,98	11,280	34,060	5,42	PHS 60-2BH25		
		26	168,40	B	25,40	69,85	107,95	53,98	11,280	34,060	5,76	PHS 60-2B26		
		30	192,79	B	25,40	69,85	107,95	53,98	11,280	34,060	7,42	PHS 60-2B30		
		32	204,98	B	31,75	76,20	114,30	60,33	11,280	34,060	8,85	PHS 60-2B32		
		35	223,01	B	31,75	76,20	114,30	60,33	11,280	34,060	10,34	PHS 60-2B35		
		36	229,11	B	31,75	76,20	114,30	60,33	11,280	34,060	10,80	PHS 60-2B36		
		40	253,49	B	31,75	82,55	120,65	69,85	11,280	34,060	13,99	PHS 60-2B40		
		42	265,68	B	31,75	82,55	120,65	69,85	11,280	34,060	15,00	PHS 60-2B42		
		45	283,97	B	31,75	82,55	120,65	69,85	11,280	34,060	16,82	PHS 60-2B45		
		52	326,39	B	31,75	82,55	120,65	69,85	11,280	34,060	22,09	PHS 60-2B52		
		60	374,90	B	31,75	82,55	120,65	69,85	11,280	34,060	28,62	PHS 60-2B60		
		68	423,42	C	31,75	84,14	127,00	76,20	11,280	34,060	24,35	PHS 60-2C68		
		72	447,80	C	31,75	84,14	127,00	76,20	11,280	34,060	24,38	PHS 60-2C72		
		76	471,93	C	31,75	84,14	127,00	76,20	11,280	34,060	27,34	PHS 60-2C76		
		95	587,25	C	31,75	95,25	139,70	88,90	11,280	34,060	39,53	PHS 60-2C95		
		25,40	1	10	93,47	B	25,40	38,10	65,09	69,85	14,150	43,430	1,63	PHS 80-2BH10
				11	101,85	B	25,40	44,45	63,50	63,50	14,150	43,430	1,81	PHS 80-2BH11
				12	109,98	B	25,40	47,63	72,23	63,50	14,150	43,430	2,31	PHS 80-2BH12
				13	118,36	B	25,40	57,15	80,17	63,50	14,150	43,430	2,86	PHS 80-2BH13
				14	126,49	B	25,40	60,33	88,11	63,50	14,150	43,430	3,45	PHS 80-2BH14
15	134,62			B	25,40	63,50	96,44	63,50	14,150	43,430	4,08	PHS 80-2BH15		
16	143,00			B	25,40	69,85	101,60	69,85	14,150	43,430	4,99	PHS 80-2BH16		
17	151,13			B	25,40	76,20	112,32	69,85	14,150	43,430	5,99	PHS 80-2BH17		
18	159,26			B	25,40	82,55	120,25	69,85	14,150	43,430	6,80	PHS 80-2BH18		
19	167,39			B	25,40	84,14	127,00	69,85	14,150	43,430	7,71	PHS 80-2BH19		
20	175,51			B	25,40	84,14	127,00	69,85	14,150	43,430	8,26	PHS 80-2BH20		
21	183,90			B	25,40	84,14	127,00	69,85	14,150	43,430	8,89	PHS 80-2BH21		
22	192,02			B	25,40	84,14	127,00	69,85	14,150	43,430	9,53	PHS 80-2BH22		
23	200,15			B	25,40	84,14	127,00	69,85	14,150	43,430	10,34	PHS 80-2BH23		
24	208,28			B	25,40	88,90	133,35	69,85	14,150	43,430	11,39	PHS 80-2BH24		
25	216,41			B	25,40	88,90	133,35	76,20	14,150	43,430	12,84	PHS 80-2BH25		
26	224,54			B	25,40	88,90	133,35	76,20	14,150	43,430	13,56	PHS 80-2B26		
30	256,79			B	31,75	95,25	146,05	76,20	14,150	43,430	17,92	PHS 80-2B30		
32	273,05			B	31,75	95,25	146,05	76,20	14,150	43,430	19,87	PHS 80-2B32		
35	297,43			B	31,75	95,25	146,05	76,20	14,150	43,430	22,27	PHS 80-2B35		
36	305,56			B	31,75	95,25	146,05	79,38	14,150	43,430	24,58	PHS 80-2B36		
42	354,08			B	31,75	95,25	146,05	79,38	14,150	43,430	32,43	PHS 80-2B42		
45	378,46			B	31,75	95,25	146,05	79,38	14,150	43,430	33,34	PHS 80-2B45		
52	435,10			C	38,10	95,25	146,05	95,25	14,150	43,430	35,56	PHS 80-2C52		
60	499,87			C	38,10	95,25	146,05	95,25	14,150	43,430	42,32	PHS 80-2C60		
68	564,64			C	38,10	96,84	152,40	101,60	14,150	43,430	43,64	PHS 80-2C68		
76	629,41			C	38,10	96,84	152,40	101,60	14,150	43,430	51,26	PHS 80-2C76		
95	783,08			C	38,10	101,60	152,40	107,95	14,150	43,430	74,84	PHS 80-2C95		
31,75	1¼			9	106,17	B	25,40	41,28	60,33	73,03	16,990	52,760	2,09	PHS 100-2BH9
				10	116,84	B	25,40	47,63	69,85	73,03	16,990	52,760	2,81	PHS 100-2BH10
				11	127,25	B	25,40	53,98	79,38	73,03	16,990	52,760	3,58	PHS 100-2BH11
				12	137,67	B	28,58	57,15	85,73	73,03	16,990	52,760	4,22	PHS 100-2BH12
				13	147,83	B	28,58	63,50	96,84	73,03	16,990	52,760	5,17	PHS 100-2BH13
				14	158,24	B	28,58	69,85	106,36	73,03	16,990	52,760	6,17	PHS 100-2BH14
				15	168,40	B	31,75	79,38	117,48	79,38	16,990	52,760	7,76	PHS 100-2BH15
				16	178,56	B	31,75	84,14	127,00	79,38	16,990	52,760	9,12	PHS 100-2BH16
		17	188,98	B	31,75	88,90	133,35	79,38	16,990	52,760	10,48	PHS 100-2BH17		
		18	199,14	B	31,75	88,90	133,35	79,38	16,990	52,760	11,52	PHS 100-2BH18		
		19	209,30	B	31,75	95,25	139,70	85,73	16,990	52,760	13,43	PHS 100-2BH19		
		20	219,46	B	31,75	95,25	139,70	85,73	16,990	52,760	14,70	PHS 100-2BH20		
		21	229,62	B	31,75	95,25	139,70	85,73	16,990	52,760	16,01	PHS 100-2BH21		
		22	239,78	B	31,75	95,25	139,70	85,73	16,990	52,760	17,42	PHS 100-2BH22		
		23	249,94	B	31,75	95,25	139,70	85,73	16,990	52,760	18,73	PHS 100-2BH23		
		24	260,35	B	31,75	95,25	146,05	85,73	16,990	52,760	20,46	PHS 100-2BH24		
		25	270,51	B	31,75	95,25	146,05	85,73	16,990	52,760	22,00	PHS 100-2BH25		
		26	280,67	B	38,10	95,25	146,05	85,73	16,990	52,760	23,36	PHS 100-2B26		
		30	321,06	B	38,10	95,25	146,05	85,73	16,990	52,760	29,48	PHS 100-2B30		
		35	371,86	C	38,10	96,84	152,40	107,95	16,990	52,760	34,02	PHS 100-2C35		
		45	473,20	C	38,10	96,84	152,40	114,30	16,990	52,760	46,72	PHS 100-2C45		
		60	624,84	C	38,10	136,53	190,50	127,00	16,990	52,760	79,38	PHS 100-2C60		
		70	725,93	C	38,10	136,53	190,50	127,00	16,990	52,760	89,36	PHS 100-2C70		
		80	827,28	C	38,10	136,53	190,50	127,00	16,990	52,760	104,78	PHS 100-2C80		
38,10	1½	11	152,65	B	38,10	60,33	90,49	95,25	22,710	68,150	6,17	PHS 120-2BH11		
		12	165,10	B	38,10	69,85	103,19	95,25	22,710	68,150	7,85	PHS 120-2BH12		

Maximum bores can accommodate standard keyways. Larger bores are available where a shallow keyway is used or no keyway is required. All Type B or C sprockets, up to and including 25 tooth, are with hardened teeth as standard. For any additional size sprockets with hardened teeth, add "H" before the number of teeth, e.g. PHS 35-2BH12.

ANSI sprockets, duplex, pilot bore

ANSI 120-2 · 38,10 mm (1½") pitch | ANSI 140-2 · 44,45 mm (1¾") pitch | ANSI 160-2 · 50,80 mm (2") pitch



Pitch	Number of teeth	Outside diameter	Type	Dimensions Bore		Plate thickness		Mass	Designation				
				Min.	Max.	H	L			t ₁	t ₂		
mm	in.	mm	-	mm	mm	mm	mm	kg	-				
38,10	1½	13	B	177,55	38,10	76,20	114,30	95,25	22,710	68,150	9,57	PHS 120-2BH13	
		14	B	189,74	38,10	84,14	127,00	95,25	22,710	68,150	11,61	PHS 120-2BH14	
		15	B	202,18	38,10	88,90	133,35	95,25	22,710	68,150	13,56	PHS 120-2BH15	
		16	B	214,38	38,10	88,90	133,35	95,25	22,710	68,150	15,33	PHS 120-2BH16	
		17	B	226,57	38,10	88,90	133,35	95,25	22,710	68,150	16,74	PHS 120-2BH17	
		18	B	239,01	38,10	88,90	133,35	95,25	22,710	68,150	19,01	PHS 120-2BH18	
		19	B	251,21	38,10	88,90	133,35	95,25	22,710	68,150	21,09	PHS 120-2BH19	
		20	B	263,40	38,10	88,90	139,70	95,25	22,710	68,150	22,77	PHS 120-2BH20	
		21	B	275,59	38,10	88,90	139,70	95,25	22,710	68,150	25,22	PHS 120-2BH21	
		22	B	287,78	38,10	96,84	146,05	101,60	22,710	68,150	29,03	PHS 120-2BH22	
	23	B	299,97	38,10	114,30	165,10	101,60	22,710	68,150	34,02	PHS 120-2BH23		
	24	B	312,17	38,10	114,30	165,10	101,60	22,710	68,150	35,83	PHS 120-2BH24		
	25	B	324,36	38,10	114,30	165,10	101,60	22,710	68,150	38,10	PHS 120-2BH25		
	26	B	336,55	38,10	114,30	165,10	101,60	22,710	68,150	40,82	PHS 120-2B26		
	30	B	385,32	38,10	114,30	165,10	101,60	22,710	68,150	53,98	PHS 120-2B30		
	35	C	446,28	38,10	136,53	190,50	152,40	22,710	71,580	67,13	PHS 120-2C35		
	45	C	567,69	38,10	136,53	190,50	152,40	22,710	71,580	85,28	PHS 120-2C45		
	60	C	749,81	38,10	161,93	241,30	158,75	22,710	71,580	139,25	PHS 120-2C60		
	44,45	1¾	13	B	207,01	41,28	84,14	127,00	95,25	22,710	71,580	13,15	PHS 140-2BH13
			14	B	221,49	41,28	95,25	139,70	95,25	22,710	71,580	15,79	PHS 140-2BH14
15			B	235,71	41,28	114,30	165,10	95,25	22,710	71,580	19,28	PHS 140-2BH15	
16			B	250,19	41,28	133,35	177,80	101,60	22,710	71,580	21,82	PHS 140-2BH16	
17			B	264,41	41,28	133,35	177,80	101,60	22,710	71,580	26,08	PHS 140-2BH17	
18			B	278,89	44,45	133,35	177,80	101,60	22,710	71,580	29,76	PHS 140-2BH18	
19			B	293,12	44,45	133,35	177,80	101,60	22,710	71,580	32,66	PHS 140-2BH19	
20			B	307,34	44,45	133,35	177,80	101,60	22,710	71,580	34,47	PHS 140-2BH20	
21			B	321,56	44,45	133,35	177,80	101,60	22,710	71,580	37,19	PHS 140-2BH21	
22			B	335,79	44,45	133,35	177,80	101,60	22,710	71,580	42,64	PHS 140-2BH22	
23		B	350,01	44,45	133,35	177,80	101,60	22,710	71,580	45,36	PHS 140-2BH23		
24		B	364,24	44,45	133,35	177,80	101,60	22,710	71,580	47,17	PHS 140-2BH24		
25		B	378,46	44,45	133,35	177,80	101,60	22,710	71,580	54,43	PHS 140-2BH25		
26		B	392,68	44,45	133,35	177,80	101,60	22,710	71,580	58,06	PHS 140-2B26		
35		C	520,45	38,10	136,53	190,50	152,40	22,710	71,580	81,65	PHS 140-2C35		
45		C	662,43	38,10	136,53	190,50	152,40	22,710	71,580	105,23	PHS 140-2C45		
60		C	874,78	38,10	161,93	241,30	158,75	22,710	71,580	168,74	PHS 140-2C60		
50,80		2	13	B	236,47	50,80	101,60	152,40	120,65	28,420	86,970	21,77	PHS 160-2BH13
			14	B	252,98	50,80	120,65	171,45	120,65	28,420	86,970	26,31	PHS 160-2BH14
			15	B	269,49	50,80	133,35	177,80	120,65	28,420	86,970	30,84	PHS 160-2BH15
	16		B	286,00	50,80	133,35	177,80	120,65	28,420	86,970	34,02	PHS 160-2BH16	
	17		B	302,26	50,80	133,35	177,80	120,65	28,420	86,970	41,28	PHS 160-2BH17	
	18		B	318,52	50,80	133,35	177,80	120,65	28,420	86,970	43,54	PHS 160-2BH18	
	19		B	335,03	50,80	133,35	177,80	120,65	28,420	86,970	48,53	PHS 160-2BH19	
	20		B	351,28	50,80	133,35	177,80	120,65	28,420	86,970	53,98	PHS 160-2BH20	
	21		B	367,54	50,80	136,53	190,50	120,65	28,420	86,970	58,97	PHS 160-2BH21	
	22		B	383,79	50,80	136,53	190,50	120,65	28,420	86,970	63,96	PHS 160-2BH22	
	23	B	400,05	50,80	136,53	190,50	120,65	28,420	86,970	71,21	PHS 160-2BH23		
	24	B	416,31	50,80	136,53	190,50	120,65	28,420	86,970	77,56	PHS 160-2BH24		
	25	B	432,56	50,80	136,53	190,50	120,65	28,420	86,970	84,82	PHS 160-2BH25		
	26	B	448,82	50,80	136,53	190,50	120,65	28,420	86,970	91,17	PHS 160-2B26		
	35	C	594,87	38,10	171,45	241,30	168,28	28,420	86,970	138,80	PHS 160-2C35		
	45	C	756,92	38,10	177,80	254,00	180,98	28,420	86,970	195,50	PHS 160-2C45		
	60	C	999,74	38,10	177,80	254,00	180,98	28,420	86,970	255,83	PHS 160-2C60		

Maximum bores can accommodate standard keyways. Larger bores are available where a shallow keyway is used or no keyway is required.
 All Type B or C sprockets, up to and including 25 tooth, are with hardened teeth as standard.
 For any additional size sprockets with hardened teeth, add "H" before the number of teeth, e.g. PHS 35-2BH12.

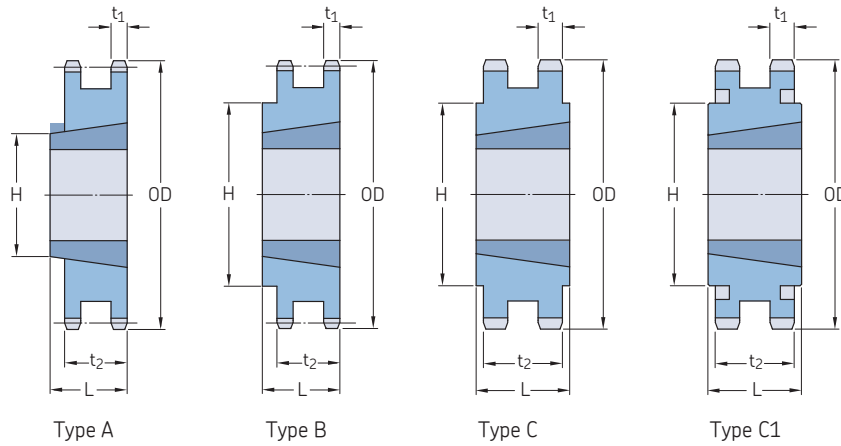
ANSI sprockets, duplex, pilot bore
ANSI 200-2 · 63,50 mm (2½") pitch

Pitch		Number of teeth	Outside diameter OD	Type	Dimensions Bore				Plate thickness		Mass	Designation
mm	in.				Min.	Max.	H	L	t ₁	t ₂		
63,50	2½	11	254,51	B	50,80	95,25	139,70	149,23	34,140	105,690	25,85	PHS 200-2BH11
		12	275,08	B	50,80	114,30	165,10	158,75	34,140	105,690	36,29	PHS 200-2BH12
		13	295,66	B	50,80	133,35	177,80	161,93	34,140	105,690	43,54	PHS 200-2BH13
		14	316,48	B	50,80	139,70	203,20	161,93	34,140	105,690	53,98	PHS 200-2BH14
		15	336,80	B	50,80	146,05	215,90	161,93	34,140	105,690	62,60	PHS 200-2BH15
		16	357,38	B	50,80	146,05	215,90	168,28	34,140	105,690	73,03	PHS 200-2BH16
		17	377,70	B	50,80	146,05	215,90	168,28	34,140	105,690	80,74	PHS 200-2BH17
		18	398,27	B	50,80	146,05	215,90	168,28	34,140	105,690	88,90	PHS 200-2BH18
		19	418,59	B	50,80	146,05	215,90	168,28	34,140	105,690	98,43	PHS 200-2BH19
		20	439,17	B	50,80	146,05	215,90	168,28	34,140	105,690	107,05	PHS 200-2BH20
		21	459,49	B	50,80	146,05	215,90	168,28	34,140	105,690	113,40	PHS 200-2BH21
		22	479,81	B	50,80	146,05	215,90	168,28	34,140	105,690	128,82	PHS 200-2BH22
		23	500,13	B	50,80	146,05	215,90	168,28	34,140	105,690	139,71	PHS 200-2BH23
		24	520,45	B	50,80	146,05	215,90	168,28	34,140	105,690	149,69	PHS 200-2BH24
		25	540,77	B	50,80	146,05	215,90	168,28	34,140	105,690	162,39	PHS 200-2BH25
		26	561,09	B	50,80	146,05	215,90	168,28	34,140	105,690	175,09	PHS 200-2B26
		45	946,15	C	38,10	177,80	254,00	215,90	34,140	105,690	301,64	PHS 200-2C45
		60	1249,68	C	38,10	177,80	254,00	228,60	34,140	105,690	440,89	PHS 200-2C60

Maximum bores can accommodate standard keyways. Larger bores are available where a shallow keyway is used or no keyway is required.
All Type B or C sprockets, up to and including 25 tooth, are with hardened teeth as standard.
For any additional size sprockets with hardened teeth, add "H" before the number of teeth, e.g. PHS 35-2BH12.

ANSI sprockets, duplex, taper bushed

ANSI 35-2 · 9,53 mm (3/8") pitch | ANSI 40-2 · 12,70 mm (1/2") pitch | ANSI 50-2 · 15,88 mm (5/8") pitch



Pitch	Number of teeth	Diameters		Type	Bushing number	Dimensions Bore		Plate thickness		Mass Rim	Bushing	Designation				
		Outside OD	Pitch PD			Min.	Max.	L	H				t ₁	t ₂		
mm	in.	mm	mm	-	-	mm	mm	mm	mm	kg	-	-				
9,53	3/8	19	62,74	57,91	B	1008	9,53	25,40	22,23	46,43	4,110	14,250	0,3	0,1	PHS 35-2TBH19	
		20	65,79	60,96	B	1008	9,53	25,40	22,23	49,21	4,110	14,250	0,4	0,1	PHS 35-2TBH20	
		21	68,83	64,01	B	1008	9,53	25,40	22,23	52,39	4,110	14,250	0,6	0,1	PHS 35-2TBH21	
		22	71,88	66,80	B	1008	9,53	25,40	22,23	55,56	4,110	14,250	0,8	0,1	PHS 35-2TBH22	
		23	77,98	72,90	B	1210	15,88	31,75	25,40	61,91	4,110	14,250	0,8	0,3	PHS 35-2TBH24	
	26	84,07	78,99	B	1210	15,88	31,75	25,40	66,68	4,110	14,250	0,9	0,3	PHS 35-2TB26		
	30	96,27	91,19	B	1610	12,70	41,28	25,40	79,38	4,110	14,250	0,8	0,4	PHS 35-2TB30		
	32	102,36	97,28	B	1610	12,70	41,28	25,40	82,55	4,110	14,250	0,9	0,4	PHS 35-2TB32		
	35	111,51	106,17	B	1610	12,70	41,28	25,40	82,55	4,110	14,250	1,0	0,4	PHS 35-2TB35		
	40	126,75	121,41	B	1610	12,70	41,28	25,40	82,55	4,110	14,250	1,3	0,4	PHS 35-2TB40		
	45	141,99	136,65	B	1610	12,70	41,28	25,40	82,55	4,110	14,250	1,5	0,4	PHS 35-2TB45		
	48	151,13	145,54	B	1610	12,70	41,28	25,40	92,08	4,110	14,250	1,6	0,4	PHS 35-2TB48		
	54	169,16	163,83	B	1610	12,70	41,28	25,40	92,08	4,110	14,250	1,8	0,4	PHS 35-2TB54		
	60	187,45	182,12	B	1610	12,70	41,28	25,40	92,08	4,110	14,250	2,2	0,4	PHS 35-2TB60		
	70	217,68	212,34	B	1610	12,70	41,28	25,40	92,08	4,110	14,250	2,9	0,4	PHS 35-2TB70		
	80	248,16	242,57	B	1610	12,70	41,28	25,40	92,08	4,110	14,250	3,6	0,4	PHS 35-2TB80		
	96	296,67	291,08	B	1610	12,70	41,28	25,40	92,08	4,110	14,250	4,5	0,4	PHS 35-2TB96		
	112	345,19	339,60	B	1610	12,70	41,28	25,40	92,08	4,110	14,250	4,9	0,4	PHS 35-2TB112		
	12,70	1/2	15	67,31	60,96	A	1008	9,53	25,40	22,23	32,15	6,990	21,360	0,2	0,1	PHS 40-2TBH15
			16	71,37	65,02	A	1008	9,53	25,40	22,23	32,15	6,990	21,360	0,3	0,1	PHS 40-2TBH16
17			75,69	69,09	A	1008	9,53	25,40	22,23	32,15	6,990	21,360	0,3	0,1	PHS 40-2TBH17	
18			79,50	73,15	B	1210	15,88	31,75	25,40	58,74	6,990	21,360	0,3	0,3	PHS 40-2TBH18	
19			83,82	77,22	B	1210	15,88	31,75	25,40	63,50	6,990	21,360	0,4	0,3	PHS 40-2TBH19	
20		87,88	81,28	B	1610	12,70	41,28	25,40	66,68	6,990	21,360	0,4	0,4	PHS 40-2TBH20		
21		91,95	85,34	B	1610	12,70	41,28	25,40	69,85	6,990	21,360	0,5	0,4	PHS 40-2TBH21		
23		100,08	93,22	B	1610	12,70	41,28	25,40	76,20	6,990	21,360	0,6	0,4	PHS 40-2TBH23		
25		108,20	101,35	B	2012	19,05	50,80	31,75	86,52	6,990	21,360	0,7	0,8	PHS 40-2TBH25		
30		128,52	121,41	B	2012	19,05	50,80	31,75	107,55	6,990	21,360	1,5	0,8	PHS 40-2TB30		
36		152,65	145,80	B	2012	19,05	50,80	31,75	130,97	6,990	21,360	2,7	0,8	PHS 40-2TB36		
42		177,04	169,93	C	2517	19,05	63,50	44,45	107,95	6,990	21,360	3,2	1,6	PHS 40-2TB42		
48		201,42	194,06	C	2517	19,05	63,50	44,45	107,95	6,990	21,360	4,4	1,6	PHS 40-2TB48		
52		217,68	210,31	C	2517	19,05	63,50	44,45	107,95	6,990	21,360	5,2	1,6	PHS 40-2TB52		
60		249,94	242,57	C	2517	19,05	63,50	44,45	107,95	6,990	21,360	7,0	1,6	PHS 40-2TB60		
68		282,45	275,08	C	2517	19,05	63,50	44,45	107,95	6,990	21,360	9,3	1,6	PHS 40-2TB68		
76		314,71	307,34	C	2517	19,05	63,50	44,45	107,95	6,990	21,360	11,7	1,6	PHS 40-2TB76		
84		346,96	339,60	C	2517	19,05	63,50	44,45	107,95	6,990	21,360	14,3	1,6	PHS 40-2TB84		
95		391,41	384,05	C	2517	19,05	63,50	44,45	107,95	6,990	21,360	15,5	1,6	PHS 40-2TB95		
102		419,86	412,50	C	2517	19,05	63,50	44,45	107,95	6,990	21,360	16,7	1,6	PHS 40-2TB102		
15,88	5/8	14	78,99	71,37	A	1008	9,53	25,40	22,23	-	8,430	26,540	0,4	0,1	PHS 50-2TBH14	
		15	84,07	76,45	A	1210	15,88	31,75	25,40	-	8,430	26,540	0,4	0,3	PHS 50-2TBH15	
		16	89,41	81,28	A	1210	15,88	31,75	25,40	-	8,430	26,540	0,5	0,3	PHS 50-2TBH16	
		17	94,49	86,61	A	1610	12,70	41,28	25,40	-	8,430	26,540	0,5	0,3	PHS 50-2TBH17	
		18	99,57	91,44	A	1610	12,70	41,28	25,40	-	8,430	26,540	0,6	0,4	PHS 50-2TBH18	
		19	104,65	96,52	A	1610	12,70	41,28	25,40	-	8,430	26,540	0,7	0,4	PHS 50-2TBH19	
	20	109,73	101,60	B	2012	19,05	50,80	31,75	82,55	8,430	26,540	0,7	0,8	PHS 50-2TBH20		
	21	114,81	106,43	B	2012	19,05	50,80	31,75	88,90	8,430	26,540	0,9	0,8	PHS 50-2TBH21		
	25	135,13	126,75	B	2012	19,05	50,80	31,75	108,74	8,430	26,540	1,7	0,8	PHS 50-2TBH25		
	30	160,53	151,89	B	2517	19,05	63,50	44,45	134,14	8,430	26,540	3,4	1,6	PHS 50-2TB30		
	36	191,01	182,12	C	2517	19,05	63,50	44,45	107,95	8,430	26,540	4,3	1,6	PHS 50-2TB36		
	42	221,23	212,34	C	2517	19,05	63,50	44,45	107,95	8,430	26,540	6,1	1,6	PHS 50-2TB42		
	48	251,71	242,82	C	2517	19,05	63,50	44,45	107,95	8,430	26,540	8,4	1,6	PHS 50-2TB48		
	52	272,03	262,89	C	2517	19,05	63,50	44,45	111,13	8,430	26,540	10,1	1,6	PHS 50-2TB52		
	60	312,42	303,28	C	2517	19,05	63,50	44,45	111,13	8,430	26,540	13,7	1,6	PHS 50-2TB60		

All Type B or C sprockets, up to and including 25 tooth, are with hardened teeth as standard.
For any additional size sprockets with hardened teeth, add "H" before the number of teeth, e.g. PHS 35-2TBH19.

ANSI sprockets, duplex, taper bushed

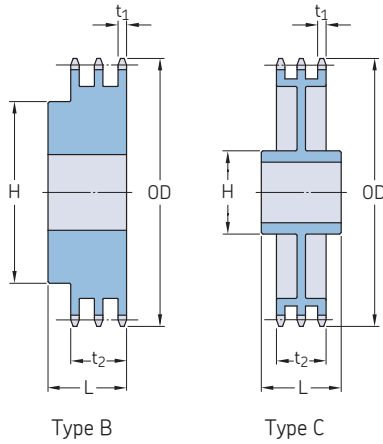
ANSI 50-2 · 15,88 mm (5/8") pitch | ANSI 60-2 · 19,05 mm (3/4") pitch | ANSI 80-2 · 25,40 mm (1") pitch

Pitch	Number of teeth	Diameters		Type	Bushing number	Dimensions				Plate thickness		Mass Rim	Bushing	Designation			
		Outside	Pitch			Bore		L	H	t ₁	t ₂						
		OD	PD			Min.	Max.										
mm	in.	mm	mm	mm	mm	mm	mm	mm	mm	mm	mm	kg	mm	mm			
15,88	5/8	68	352,81	343,66	C	2517	19,05	63,50	44,45	111,13	8,430	26,540	17,9	1,6	PHS 50-2TB68		
		76	393,45	384,05	C	2517	19,05	63,50	44,45	111,13	8,430	26,540	18,7	1,6	PHS 50-2TB76		
		84	433,83	424,43	C	2517	19,05	63,50	44,45	111,13	8,430	26,540	20,6	1,6	PHS 50-2TB84		
		95	489,46	480,06	C	2517	19,05	63,50	44,45	111,13	8,430	26,540	26,7	1,6	PHS 50-2TB95		
		102	524,76	515,62	C	2517	19,05	63,50	44,45	111,13	8,430	26,540	30,4	1,6	PHS 50-2TB102		
19,05	3/4	13	88,65	79,50	B	1215	15,88	31,75	38,10	57,15	11,280	34,060	0,5	0,7	PHS 60-2TBH13		
		14	95,00	85,60	B	1215	15,88	31,75	38,10	63,50	11,280	34,060	0,7	0,8	PHS 60-2TBH14		
		15	101,09	91,69	B	1615	12,70	41,28	38,10	71,44	11,280	34,060	0,6	0,8	PHS 60-2TBH15		
		16	107,19	97,54	B	1615	12,70	41,28	38,10	76,20	11,280	34,060	1,0	1,0	PHS 60-2TBH16		
		17	113,28	103,63	B	1615	12,70	41,28	38,10	82,55	11,280	34,060	1,1	1,3	PHS 60-2TBH17		
		18	119,38	109,73	A	2012	19,05	50,80	31,75	-	11,280	34,060	1,4	1,1	PHS 60-2TBH18		
		19	125,73	115,82	A	2012	19,05	50,80	31,75	-	11,280	34,060	1,6	1,3	PHS 60-2TBH19		
		20	131,57	121,67	B	2517	19,05	38,10	44,45	100,41	11,280	34,060	1,8	1,3	PHS 60-2TBH20		
		21	137,92	127,76	B	2517	19,05	38,10	44,45	106,36	11,280	34,060	2,3	1,7	PHS 60-2TBH21		
		25	162,31	126,49	B	2517	19,05	38,10	44,45	130,97	11,280	34,060	3,4	3,4	PHS 60-2TBH25		
		30	192,79	182,12	B	2517	19,05	38,10	44,45	161,13	11,280	34,060	6,1	6,0	PHS 60-2TB30		
		36	229,11	218,69	C	2517	19,05	38,10	44,45	107,95	11,280	34,060	7,9	7,9	PHS 60-2TB36		
		42	265,68	255,02	C	2517	19,05	38,10	44,45	107,95	11,280	34,060	11,6	11,3	PHS 60-2TB42		
		45	283,97	273,05	C	2517	19,05	38,10	44,45	107,95	11,280	34,060	13,4	13,3	PHS 60-2TB45		
		52	326,39	315,47	C	2517	19,05	38,10	44,45	107,95	11,280	34,060	18,6	18,3	PHS 60-2TB52		
		60	374,90	363,98	C1	2517	19,05	38,10	44,45	107,95	11,280	34,060	14,7	15,2	PHS 60-2TB60		
		68	423,42	412,50	C1	2517	19,05	38,10	44,45	114,30	11,280	34,060	16,6	19,6	PHS 60-2TB68		
		76	471,93	461,01	C1	3020	31,75	76,20	50,80	133,35	11,280	34,060	19,3	21,7	PHS 60-2TB76		
		95	587,25	576,07	C1	3020	31,75	76,20	50,80	133,35	11,280	34,060	22,0	31,7	PHS 60-2TB95		
		25,40	1	13	118,36	106,17	A	1615	12,70	41,28	38,10	-	14,150	43,430	1,5	0,5	PHS 80-2TBH13
				14	126,49	114,05	A	2012	19,05	50,80	31,75	-	14,150	43,430	1,6	0,8	PHS 80-2TBH14
				15	134,62	122,17	A	2012	19,05	50,80	31,75	-	14,150	43,430	2,0	0,8	PHS 80-2TBH15
				16	143,00	130,30	A	2517	19,05	63,50	44,45	79,38	14,150	43,430	1,7	1,6	PHS 80-2TBH16
				17	151,13	138,18	A	2517	19,05	63,50	44,45	79,38	14,150	43,430	2,3	1,6	PHS 80-2TBH17
				18	159,26	146,30	A	2517	19,05	63,50	44,45	79,38	14,150	43,430	2,9	1,6	PHS 80-2TBH18
19	167,39			154,43	B	3020	31,75	76,20	50,80	127,00	14,150	43,430	2,5	3,0	PHS 80-2TBH19		
20	175,51			162,31	B	3020	31,75	76,20	50,80	133,35	14,150	43,430	3,2	3,0	PHS 80-2TBH20		
21	183,90			170,43	B	3020	31,75	76,20	50,80	141,29	14,150	43,430	4,0	3,0	PHS 80-2TBH21		
25	216,41			202,69	B	3020	31,75	76,20	50,80	174,63	14,150	43,430	7,5	3,0	PHS 80-2TBH25		
30	256,79			243,08	C	3020	31,75	76,20	50,80	133,35	14,150	43,430	11,4	3,0	PHS 80-2TB30		
36	305,56			291,34	C	3020	31,75	76,20	50,80	133,35	14,150	43,430	17,9	3,0	PHS 80-2TB36		
42	354,08			340,11	C	3020	31,75	76,20	50,80	133,35	14,150	43,430	16,5	3,0	PHS 80-2TB42		
45	378,46			364,24	C1	3020	31,75	76,20	50,80	133,35	14,150	43,430	18,8	3,0	PHS 80-2TB45		
52	435,10			420,62	C1	3020	31,75	76,20	50,80	133,35	14,150	43,430	25,5	3,0	PHS 80-2TB52		
60	499,87			485,39	C1	3020	31,75	76,20	50,80	133,35	14,150	43,430	30,1	3,0	PHS 80-2TB60		
68	564,64			549,91	C1	3020	31,75	76,20	50,80	133,35	14,150	43,430	32,7	3,0	PHS 80-2TB68		
76	629,41			614,68	C1	3020	31,75	76,20	50,80	133,35	14,150	43,430	40,4	3,0	PHS 80-2TB76		
95	783,08			768,35	C1	3020	31,75	76,20	50,80	133,35	14,150	43,430	50,8	3,0	PHS 80-2TB95		

All Type B or C sprockets, up to and including 25 tooth, are with hardened teeth as standard.
For any additional size sprockets with hardened teeth, add "H" before the number of teeth, e.g. PHS 35-2TBH19.

ANSI sprockets, triplex, pilot bore

ANSI 35-3 · 9,53 mm (3/8") pitch | ANSI 40-3 · 12,70 mm (1/2") pitch



Pitch	Number of teeth	Outside diameter	Type	Dimensions Bore				Plate thickness		Mass	Designation
				Min.	Max.	H	L	t ₁	t ₂		
-	in.	mm	-	mm						kg	-
9,53	3/8	13	B	12,70	17,46	28,18	44,45	4,110	24,380	0,2	PHS 35-3BH13
		14	B	12,70	22,23	31,75	44,45	4,110	24,380	0,3	PHS 35-3BH14
		15	B	12,70	23,81	35,72	44,45	4,110	24,380	0,4	PHS 35-3BH15
		16	B	12,70	23,81	37,31	44,45	4,110	24,380	0,4	PHS 35-3BH16
		17	B	12,70	17,46	40,48	44,45	4,110	24,380	0,5	PHS 35-3BH17
		18	B	12,70	20,64	43,66	44,45	4,110	24,380	0,6	PHS 35-3BH18
		19	B	12,70	23,81	47,63	44,45	4,110	24,380	0,6	PHS 35-3BH19
		20	B	19,05	23,81	49,21	47,63	4,110	24,380	0,7	PHS 35-3BH20
		21	B	19,05	34,93	52,39	47,63	4,110	24,380	0,8	PHS 35-3BH21
		22	B	19,05	36,51	55,56	47,63	4,110	24,380	0,9	PHS 35-3BH22
		23	B	19,05	38,10	57,15	47,63	4,110	24,380	1,0	PHS 35-3BH23
		24	B	19,05	38,10	57,15	47,63	4,110	24,380	1,0	PHS 35-3BH24
		25	B	19,05	38,10	57,15	47,63	4,110	24,380	1,1	PHS 35-3BH25
		26	B	19,05	38,10	63,50	47,63	4,110	24,380	1,3	PHS 35-3B26
		30	B	19,05	44,45	63,50	47,63	4,110	24,380	1,6	PHS 35-3B30
		36	B	19,05	44,45	63,50	47,63	4,110	24,380	2,1	PHS 35-3B36
		42	B	19,05	44,45	63,50	47,63	4,110	24,380	2,7	PHS 35-3B42
		48	B	19,05	44,45	63,50	47,63	4,110	24,380	3,4	PHS 35-3B48
		52	B	19,05	44,45	63,50	47,63	4,110	24,380	3,9	PHS 35-3B52
		60	B	19,05	44,45	63,50	47,63	4,110	24,380	5,1	PHS 35-3B60
		68	B	19,05	60,33	88,90	47,63	4,110	24,380	7,0	PHS 35-3B68
		72	B	19,05	60,33	88,90	47,63	4,110	24,380	7,9	PHS 35-3B72
76	B	19,05	60,33	88,90	47,63	4,110	24,380	8,6	PHS 35-3B76		
84	B	19,05	60,33	88,90	47,63	4,110	24,380	10,4	PHS 35-3B84		
95	B	25,40	63,50	95,25	53,98	4,110	24,380	13,3	PHS 35-3B95		
96	B	25,40	63,50	95,25	53,98	4,110	24,380	13,6	PHS 35-3B96		
102	B	25,40	63,50	95,25	53,98	4,110	24,380	15,1	PHS 35-3B102		
12,70	1/2	11	B	12,70	19,05	36,51	53,98	6,990	35,740	0,4	PHS 40-3BH11
		12	B	12,70	23,81	39,69	53,98	6,990	35,740	0,5	PHS 40-3BH12
		13	B	12,70	25,40	38,10	53,98	6,990	35,740	0,6	PHS 40-3BH13
		14	B	12,70	28,58	42,86	53,98	6,990	35,740	0,7	PHS 40-3BH14
		15	B	12,70	31,75	46,04	53,98	6,990	35,740	0,8	PHS 40-3BH15
		16	B	15,88	34,93	50,80	53,98	6,990	35,740	0,9	PHS 40-3BH16
		17	B	15,88	36,51	53,98	53,98	6,990	35,740	1,1	PHS 40-3BH17
		18	B	15,88	38,10	58,74	53,98	6,990	35,740	1,2	PHS 40-3BH18
		19	B	15,88	44,45	63,50	53,98	6,990	35,740	1,4	PHS 40-3BH19
		20	B	15,88	47,63	66,68	57,15	6,990	35,740	1,7	PHS 40-3BH20
		21	B	15,88	47,63	69,85	57,15	6,990	35,740	1,8	PHS 40-3BH21
		22	B	15,88	47,63	73,03	57,15	6,990	35,740	2,1	PHS 40-3BH22
		23	B	15,88	50,80	76,20	57,15	6,990	35,740	2,3	PHS 40-3BH23
		24	B	15,88	57,15	82,55	57,15	6,990	35,740	2,6	PHS 40-3BH24
		25	B	15,88	57,15	82,55	57,15	6,990	35,740	2,7	PHS 40-3BH25
		26	B	15,88	57,15	82,55	57,15	6,990	35,740	2,9	PHS 40-3B26
		30	B	22,23	57,15	82,55	57,15	6,990	35,740	3,6	PHS 40-3B30
		35	B	22,23	57,15	82,55	57,15	6,990	35,740	4,7	PHS 40-3B35
		36	B	23,81	63,50	95,25	60,33	6,990	35,740	5,3	PHS 40-3B36
		42	B	23,81	63,50	95,25	60,33	6,990	35,740	7,0	PHS 40-3B42
		48	B	23,81	63,50	95,25	60,33	6,990	35,740	8,8	PHS 40-3B48
		52	B	23,81	63,50	95,25	60,33	6,990	35,740	10,2	PHS 40-3B52
60	B	23,81	63,50	95,25	60,33	6,990	35,740	13,6	PHS 40-3B60		
68	B	30,16	69,85	101,60	66,68	6,990	35,740	17,4	PHS 40-3B68		
72	B	30,16	69,85	101,60	66,68	6,990	35,740	19,3	PHS 40-3B72		
76	B	30,16	69,85	101,60	66,68	6,990	35,740	21,3	PHS 40-3B76		

Maximum bores can accommodate standard keyways. Larger bores are available where a shallow keyway is used or no keyway is required. All Type B or C sprockets, up to and including 25 tooth, are with hardened teeth as standard. For any additional size sprockets with hardened teeth, add "H" before the number of teeth, e.g. PHS 35-3BH13.

ANSI sprockets, triplex, pilot bore

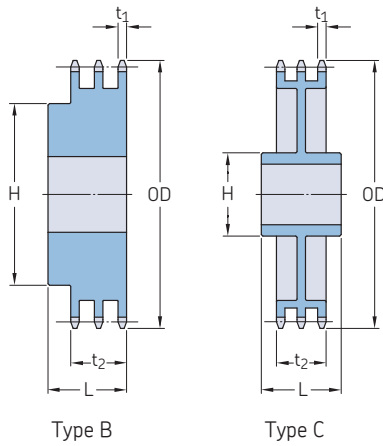
ANSI 40-3 · 12,70 mm (1/2") pitch | ANSI 50-3 · 15,88 mm (5/8") pitch | ANSI 60-3 · 19,05 mm (3/4") pitch | ANSI 80-3 · 25,40 mm (1") pitch

Pitch	Number of teeth	Outside diameter	Type	Dimensions				Plate thickness		Mass	Designation			
				Bore		H	L	t ₁	t ₂					
				Min.	Max.									
–	in.	mm	–	mm	mm	mm	mm	mm	mm	kg	–			
12,70	1/2	84	346,96	B	30,16	69,85	107,95	69,85	6,990	35,740	26,0	PHS 40-3B84		
		95	391,41	B	30,16	69,85	107,95	69,85	6,990	35,740	28,2	PHS 40-3B95		
		102	419,86	B	30,16	69,85	107,95	69,85	6,990	35,740	31,0	PHS 40-3B102		
15,88	5/8	11	63,50	B	15,88	23,81	37,31	63,50	8,430	44,650	0,6	PHS 50-3BH11		
		12	68,83	B	15,88	28,58	42,86	63,50	8,430	44,650	0,8	PHS 50-3BH12		
		13	73,91	B	15,88	33,34	47,63	63,50	8,430	44,650	1,0	PHS 50-3BH13		
		14	78,99	B	15,88	34,93	52,39	63,50	8,430	44,650	1,2	PHS 50-3BH14		
		15	84,33	B	19,05	38,10	58,74	63,50	8,430	44,650	1,5	PHS 50-3BH15		
		16	89,41	B	19,05	44,45	63,50	63,50	8,430	44,650	1,7	PHS 50-3BH16		
		17	94,49	B	19,05	47,63	68,26	63,50	8,430	44,650	2,0	PHS 50-3BH17		
		18	99,57	B	19,05	49,21	74,61	63,50	8,430	44,650	2,3	PHS 50-3BH18		
		19	104,65	B	25,40	53,98	79,38	63,50	8,430	44,650	2,5	PHS 50-3BH19		
		20	109,73	B	25,40	57,15	82,55	66,68	8,430	44,650	2,9	PHS 50-3BH20		
		21	114,81	B	25,40	60,33	88,90	66,68	8,430	44,650	3,4	PHS 50-3BH21		
		22	119,89	B	25,40	60,33	90,49	66,68	8,430	44,650	3,6	PHS 50-3BH22		
		23	124,97	B	25,40	63,50	92,08	66,68	8,430	44,650	4,0	PHS 50-3BH23		
		24	130,05	B	25,40	63,50	92,08	66,68	8,430	44,650	4,3	PHS 50-3BH24		
		25	135,13	B	25,40	63,50	92,08	66,68	8,430	44,650	4,6	PHS 50-3BH25		
		26	140,21	B	25,40	63,50	95,25	66,68	8,430	44,650	5,0	PHS 50-3B26		
		30	160,53	B	25,40	63,50	95,25	66,68	8,430	44,650	6,5	PHS 50-3B30		
		35	185,93	B	25,40	63,50	95,25	66,68	8,430	44,650	8,6	PHS 50-3B35		
		36	191,01	B	30,16	69,85	101,60	69,85	8,430	44,650	9,3	PHS 50-3B36		
		42	221,49	B	30,16	69,85	101,60	69,85	8,430	44,650	12,5	PHS 50-3B42		
		48	251,71	B	30,16	69,85	101,60	79,38	8,430	44,650	16,6	PHS 50-3B48		
		52	272,03	B	30,16	69,85	101,60	79,38	8,430	44,650	19,3	PHS 50-3B52		
		60	312,42	B	33,34	76,20	114,30	79,38	8,430	44,650	25,8	PHS 50-3B60		
		68	352,81	B	33,34	76,20	114,30	79,38	8,430	44,650	33,2	PHS 50-3B68		
		72	373,13	C	33,34	76,20	120,65	88,90	8,430	44,650	24,7	PHS 50-3C72		
		76	393,45	C	33,34	76,20	120,65	88,90	8,430	44,650	23,2	PHS 50-3C76		
		84	433,83	C	33,34	76,20	120,65	88,90	8,430	44,650	29,6	PHS 50-3C84		
		95	489,46	C	33,34	76,20	120,65	95,25	8,430	44,650	33,8	PHS 50-3C95		
		102	524,76	C	33,34	76,20	120,65	95,25	8,430	44,650	36,3	PHS 50-3C102		
		19,05	3/4	11	76,20	B	25,40	31,75	46,04	76,20	11,280	56,850	1,1	PHS 60-3BH11
				12	82,55	B	25,40	36,51	53,98	76,20	11,280	56,850	1,5	PHS 60-3BH12
				13	88,65	B	25,40	38,10	57,15	76,20	11,280	56,850	1,8	PHS 60-3BH13
				14	95,00	B	25,40	44,45	63,50	76,20	11,280	56,850	2,0	PHS 60-3BH14
15	101,09			B	25,40	47,63	71,44	76,20	11,280	56,850	2,5	PHS 60-3BH15		
16	107,19			B	25,40	50,80	76,20	76,20	11,280	56,850	3,0	PHS 60-3BH16		
17	113,28			B	25,40	57,15	82,55	76,20	11,280	56,850	3,5	PHS 60-3BH17		
18	119,38			B	25,40	60,33	88,90	76,20	11,280	56,850	3,9	PHS 60-3BH18		
19	125,73			B	25,40	63,50	93,66	76,20	11,280	56,850	4,5	PHS 60-3BH19		
20	131,83			B	25,40	63,50	95,25	76,20	11,280	56,850	5,1	PHS 60-3BH20		
21	137,92			B	25,40	69,85	104,78	76,20	11,280	56,850	5,7	PHS 60-3BH21		
22	144,02			B	25,40	69,85	107,95	76,20	11,280	56,850	6,0	PHS 60-3BH22		
23	150,11			B	25,40	69,85	107,95	76,20	11,280	56,850	6,6	PHS 60-3BH23		
24	156,21			B	25,40	69,85	107,95	76,20	11,280	56,850	7,2	PHS 60-3BH24		
25	162,31			B	25,40	69,85	107,95	76,20	11,280	56,850	7,7	PHS 60-3BH25		
26	168,40			B	25,40	69,85	107,95	76,20	11,280	56,850	8,4	PHS 60-3B26		
30	192,79			B	25,40	69,85	107,95	76,20	11,280	56,850	10,5	PHS 60-3B30		
35	223,01			B	31,75	76,20	114,30	82,55	11,280	56,850	15,7	PHS 60-3B35		
36	229,11			B	31,75	76,20	114,30	82,55	11,280	56,850	16,8	PHS 60-3B36		
42	265,68			B	31,75	82,55	120,65	92,08	11,280	56,850	22,2	PHS 60-3B42		
45	283,97			B	31,75	82,55	120,65	92,08	11,280	56,850	25,9	PHS 60-3B45		
52	326,39			C	31,75	82,55	120,65	88,90	11,280	56,850	33,1	PHS 60-3C52		
60	374,90			C	31,75	82,55	120,65	88,90	11,280	56,850	28,6	PHS 60-3C60		
68	423,42			C	31,75	82,55	127,00	88,90	11,280	56,850	33,1	PHS 60-3C68		
72	447,80			C	31,75	82,55	127,00	88,90	11,280	56,850	38,6	PHS 60-3C72		
76	471,93			C	38,10	95,25	139,70	88,90	11,280	56,850	37,2	PHS 60-3C76		
95	587,25			C	38,10	95,25	139,70	101,60	11,280	56,850	47,6	PHS 60-3C95		
25,40	1			11	101,85	B	25,40	44,45	63,50	92,08	14,150	72,720	2,7	PHS 80-3BH11
				12	109,98	B	25,40	47,63	72,23	92,08	14,150	72,720	3,4	PHS 80-3BH12
				13	118,36	B	25,40	57,15	80,17	92,08	14,150	72,720	4,2	PHS 80-3BH13
				14	126,49	B	25,40	60,33	88,11	92,08	14,150	72,720	5,0	PHS 80-3BH14
				15	134,62	B	25,40	63,50	96,44	92,08	14,150	72,720	5,9	PHS 80-3BH15
				16	143,00	B	25,40	69,85	101,60	98,43	14,150	72,720	7,2	PHS 80-3BH16
		17	151,13	B	25,40	76,20	112,32	98,43	14,150	72,720	8,4	PHS 80-3BH17		
		18	159,26	B	25,40	82,55	120,25	98,43	14,150	72,720	9,6	PHS 80-3BH18		
		19	167,39	B	25,40	84,14	127,00	98,43	14,150	72,720	10,8	PHS 80-3BH19		
		20	175,51	B	25,40	84,14	127,00	98,43	14,150	72,720	11,8	PHS 80-3BH20		
		21	183,90	B	25,40	84,14	127,00	98,43	14,150	72,720	12,9	PHS 80-3BH21		
		22	192,02	B	25,40	84,14	127,00	98,43	14,150	72,720	14,1	PHS 80-3BH22		
		23	200,15	B	25,40	84,14	127,00	98,43	14,150	72,720	15,2	PHS 80-3BH23		
		24	208,28	B	25,40	88,90	133,35	98,43	14,150	72,720	16,8	PHS 80-3BH24		

Maximum bores can accommodate standard keyways. Larger bores are available where a shallow keyway is used or no keyway is required. All Type B or C sprockets, up to and including 25 tooth, are with hardened teeth as standard. For any additional size sprockets with hardened teeth, add "H" before the number of teeth, e.g. PHS 35-3BH13.

ANSI sprockets, triplex, pilot bore

ANSI 80-3 · 25,40 mm (1") pitch | ANSI 100-3 · 31,75 mm (1¼") pitch



Pitch	Number of teeth	Outside diameter	Type	Dimensions Bore		H	L	Plate thickness		Mass	Designation			
				Min.	Max.			t ₁	t ₂					
–	in.	mm	–	mm	–	–	–	–	–	kg	–			
25,40	1	25	B	25,40	88,90	133,35	98,43	14,150	72,720	18,2	PHS 80-3BH25			
		26	B	25,40	88,90	133,35	98,43	14,150	72,720	19,5	PHS 80-3B26			
		30	B	31,75	95,25	146,05	107,95	14,150	72,720	24,7	PHS 80-3B30			
		35	B	31,75	95,25	146,05	107,95	14,150	72,720	36,1	PHS 80-3B35			
		36	B	31,75	95,25	146,05	107,95	14,150	72,720	38,1	PHS 80-3B36			
	25,40	2	42	C	31,75	96,84	152,40	114,30	14,150	72,720	38,5	PHS 80-3C42		
			45	C	31,75	96,84	152,40	114,30	14,150	72,720	41,9	PHS 80-3C45		
			52	C	38,10	96,84	152,40	114,30	14,150	72,720	48,5	PHS 80-3C52		
			60	C	38,10	107,95	158,75	120,65	14,150	72,720	58,1	PHS 80-3C60		
			68	C	38,10	107,95	158,75	120,65	14,150	72,720	63,5	PHS 80-3C68		
		25,40	3	76	C	38,10	107,95	158,75	120,65	14,150	72,720	74,8	PHS 80-3C76	
				95	C	38,10	114,30	171,45	127,00	14,150	72,720	108,9	PHS 80-3C95	
			31,75	1¼	11	B	25,40	53,98	79,38	107,95	16,990	88,520	5,3	PHS 100-3BH11
					12	B	28,58	57,15	85,73	107,95	16,990	88,520	6,2	PHS 100-3BH12
13	B	28,58			63,50	96,84	107,95	16,990	88,520	7,7	PHS 100-3BH13			
14	B	28,58			69,85	106,36	107,95	16,990	88,520	9,2	PHS 100-3BH14			
15	B	31,75			79,38	117,48	114,30	16,990	88,520	11,3	PHS 100-3BH15			
31,75	2	16			B	31,75	84,14	127,00	114,30	16,990	88,520	13,3	PHS 100-3BH16	
		17			B	31,75	88,90	133,35	114,30	16,990	88,520	15,3	PHS 100-3BH17	
		18			B	31,75	88,90	133,35	120,65	16,990	88,520	17,5	PHS 100-3BH18	
		19			B	31,75	95,25	139,70	120,65	16,990	88,520	19,6	PHS 100-3BH19	
		20			B	31,75	95,25	139,70	120,65	16,990	88,520	21,7	PHS 100-3BH20	
		31,75		3	21	B	31,75	95,25	139,70	120,65	16,990	88,520	23,7	PHS 100-3BH21
					22	B	31,75	95,25	139,70	120,65	16,990	88,520	26,1	PHS 100-3BH22
					23	B	31,75	95,25	139,70	120,65	16,990	88,520	28,4	PHS 100-3BH23
					24	B	31,75	95,25	146,05	120,65	16,990	88,520	31,3	PHS 100-3BH24
					25	B	31,75	95,25	146,05	120,65	16,990	88,520	33,1	PHS 100-3BH25
31,75	4				26	B	38,10	96,84	146,05	120,65	16,990	88,520	35,8	PHS 100-3B26
					30	B	38,10	96,84	146,05	120,65	16,990	88,520	46,7	PHS 100-3B30
					35	C	38,10	101,60	152,40	127,00	16,990	88,520	49,0	PHS 100-3C35
					45	C	38,10	101,60	152,40	127,00	16,990	88,520	64,9	PHS 100-3C45
					60	C	38,10	136,53	190,50	127,00	16,990	88,520	98,4	PHS 100-3C60
31,75	5	70	C	38,10	136,53	190,50	127,00	16,990	88,520	118,8	PHS 100-3C70			
		80	C	38,10	136,53	190,50	127,00	16,990	88,520	142,0	PHS 100-3C80			

Maximum bores can accommodate standard keyways. Larger bores are available where a shallow keyway is used or no keyway is required. All Type B or C sprockets, up to and including 25 tooth, are with hardened teeth as standard. For any additional size sprockets with hardened teeth, add "H" before the number of teeth, e.g. PHS 35-3BH13.