

# SKF Power Transmission products



® SKF is a registered trademark of the SKF Group.

Hytrel is a registered trademark of DuPont. Dacromet and Dacrotized are registered trademarks of Metal Coatings International Inc. Corporation.

© SKF Group 2016

The contents of this publication are the copyright of the publisher and may not be reproduced (even extracts) unless prior written permission is granted. Every care has been taken to ensure the accuracy of the information contained in this publication but no liability can be accepted for any loss or damage whether direct, indirect or consequential arising out of the use of the information contained herein.

**PUB PT/P1 11015/3 EN** May 2016

This publication supersedes publication PUB PT/P1 11015 EN.

# Contents



**1** SKF Belts ..... 9



**2** SKF Chains ..... 75



**3** SKF Couplings ..... 103



**4** SKF Bushings and Hubs..... 147



**5** SKF Sprockets ..... 173



**6** SKF Pulleys..... 251



**7** Smart tools..... 335



# Foreword

Power transmission products play an important role in overall bearing performance and are the vital link between moving parts in equipment. By creating its own range of power transmission products, SKF can offer products that are well-matched and give engineers a wide design choice according to performance and cost considerations.

Bringing power transmission products under a single brand offers significant user benefits apart from the confidence that comes from using a well-known brand. SKF can provide a convenient single supply source for products and services with a large number of items in stock. This, in turn, offers the chance to simplify logistics to end users and reduce administrative work.

As bearings and other power transmission components work together in products used in many industries, many bearing problems and failures can be identified through the knowledge of power transmission. Examples of those industries are food and beverage, oil and gas, pulp and paper, textile, metalworking, packaging, mining, mineral processing and cement, agriculture and material handling. Combining an understanding of bearing systems with power transmission gives SKF the opportunity to enhance the support available to users.

All SKF Power Transmission products are identified by an SKF specific designation prefix. Apart from that, the designation follows international standards for easy recognition and cross-referencing. The SKF Power Transmission range covers most common types of products, which can be divided into six main categories - belts, pulleys, chains, sprockets, couplings as well as bushings and hubs.

## **About the data in this catalogue**

The data in this catalogue relates to SKF's state-of-the-art technology as of mid-2015. This data may differ from that shown in earlier catalogues because of revised methods of calculation, redesign or technological developments.

SKF reserves the right to make continuing improvements to SKF products with respect to materials, design and manufacturing methods, as well as changes necessitated by technological developments.

## **Other Power Transmission catalogues**

Product information is also available via the SKF Power Transmission products website at [www.skfptp.com](http://www.skfptp.com). The website not only provides product information, but also online calculation tools, drawings, and search and selection functions.

The main printed SKF Power Transmission catalogues are:

- SKF Transmission chain catalogue
- SKF Couplings catalogue
- SKF FX Keyless Bushings catalogue
- SKF Xtra Power Belts catalogue
- SKF Conveyor Chain catalogue

For more information about SKF Power Transmission products, contact your local SKF representative or SKF Authorized Distributor.

# SKF – the knowledge engineering company

From one simple but inspired solution to a misalignment problem in a textile mill in Sweden, and fifteen employees in 1907, SKF has grown to become a global industrial knowledge leader.



Over the years, we have built on our expertise in bearings, extending it to seals, mechanics, services and lubrication systems. Our knowledge network includes 46 000 employees, 15 000 distributor partners, offices in more than 130 countries, and a growing number of SKF Solution Factory sites around the world.

## Research and development

We have hands-on experience in over forty industries based on our employees' knowledge of real life conditions. In addition, our world-leading experts and university partners pioneer advanced theoretical research and development in areas including tribology, condition monitoring, asset management and bearing life theory. Our ongoing commitment to research and development helps us keep our customers at the forefront of their industries.



## Meeting the toughest challenges

Our network of knowledge and experience, along with our understanding of how our core technologies can be combined, helps us create innovative solutions that meet the toughest of challenges. We work closely with our customers throughout the asset life cycle, helping them to profitably and responsibly grow their businesses.

## Working for a sustainable future

Since 2005, SKF has worked to reduce the negative environmental impact from our operations and those of our suppliers. Our continuing technology development resulted in the introduction of the SKF BeyondZero portfolio of products and services which improve efficiency and reduce energy losses, as well as enable new technologies harnessing wind, solar and ocean power. This combined approach helps reduce the environmental impact both in our operations and our customers' operations.

*SKF Solution Factory makes SKF knowledge and manufacturing expertise available locally to provide unique solutions and services to our customers.*

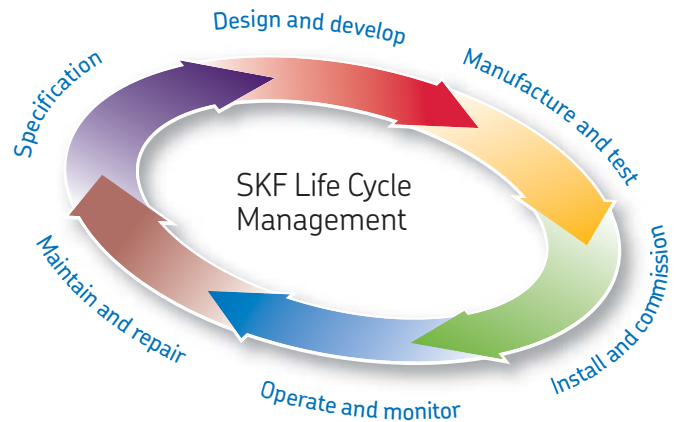


*Working with SKF IT and logistics systems and application experts, SKF Authorized Distributors deliver a valuable mix of product and application knowledge to customers worldwide.*



## Our knowledge – your success

*SKF Life Cycle Management is how we combine our technology platforms and advanced services, and apply them at each stage of the asset life cycle, to help our customers to be more successful, sustainable and profitable.*



### Working closely with you

Our objective is to help our customers improve productivity, minimize maintenance, achieve higher energy and resource efficiency, and optimize designs for long service life and reliability.



### Bearings

*SKF is the world leader in the design, development and manufacture of high performance rolling bearings, plain bearings, bearing units and housings.*

### Innovative solutions

Whether the application is linear or rotary or a combination, SKF engineers can work with you at each stage of the asset life cycle to improve machine performance by looking at the entire application. This approach doesn't just focus on individual components like bearings or seals. It looks at the whole application to see how each component interacts with each other.



### Machinery maintenance

*Condition monitoring technologies and maintenance services from SKF can help minimize unplanned downtime, improve operational efficiency and reduce maintenance costs.*



### Sealing solutions

*SKF offers standard seals and custom engineered sealing solutions to increase uptime, improve machine reliability, reduce friction and power losses, and extend lubricant life.*

### Design optimization and verification

SKF can work with you to optimize current or new designs with proprietary 3-D modelling software that can also be used as a virtual test rig to confirm the integrity of the design.



### Mechatronics

*SKF fly-by-wire systems for aircraft and drive-by-wire systems for off-road, agricultural and forklift applications replace heavy, grease or oil consuming mechanical and hydraulic systems.*



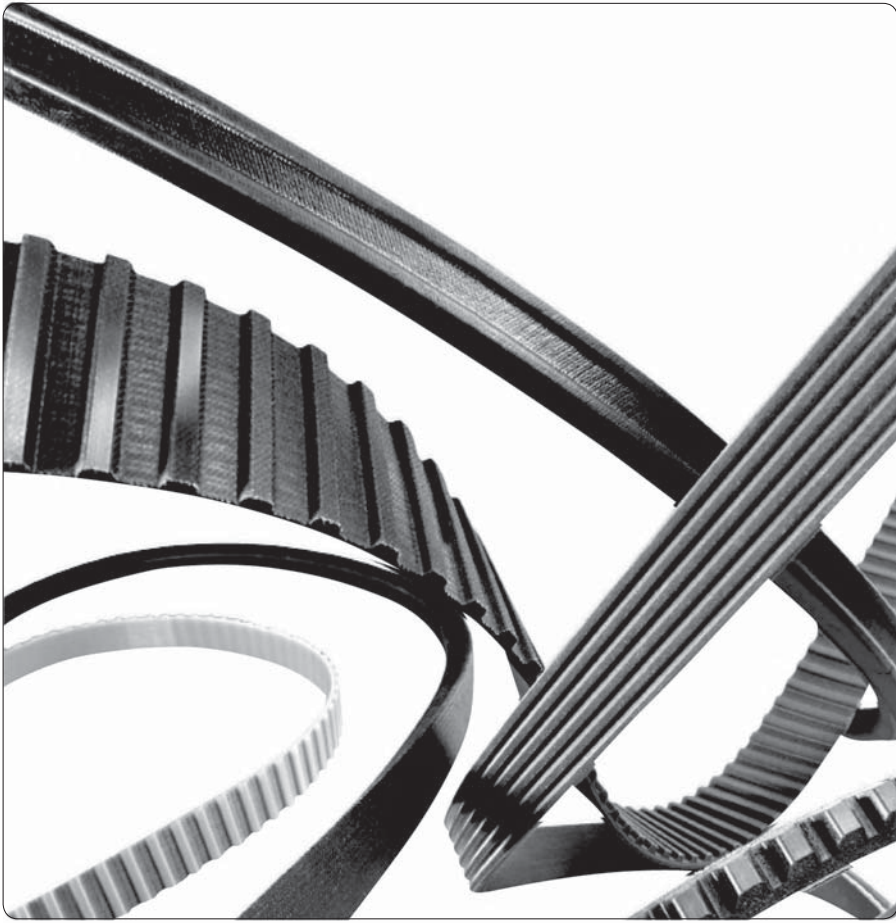
### Lubrication solutions

*From specialized lubricants to state-of-the-art lubrication systems and lubrication management services, lubrication solutions from SKF can help to reduce lubrication related downtime and lubricant consumption.*



### Actuation and motion control

*With a wide assortment of products – from actuators and ball screws to profile rail guides – SKF can work with you to solve your most pressing linear system challenges.*





# Belts

|                                                                                     |                                                     |    |                                                                                      |                                                   |    |
|-------------------------------------------------------------------------------------|-----------------------------------------------------|----|--------------------------------------------------------------------------------------|---------------------------------------------------|----|
|    | SKF Wrapped Wedge Belts . . . . .                   | 12 |    | SKF Banded Narrow Wedge Belts . .                 | 33 |
|    | SKF Wrapped Classical Belts . . . . .               | 14 |    | SKF Double Classical (Hex) Belts . .              | 34 |
|    | SKF Wrapped Narrow Wedge Belts                      | 18 |    | SKF Ribbed Belts . . . . .                        | 35 |
|    | SKF Cogged Raw Edge Wedge Belts                     | 19 |    | SKF Classical Timing Belts . . . . .              | 38 |
|    | SKF Cogged Raw Edge Classical Belts . . . . .       | 22 |    | SKF Double-sided Classical Timing Belts . . . . . | 48 |
|  | SKF Cogged Raw Edge Narrow Wedge Belts . . . . .    | 24 |  | SKF HiTD Belts . . . . .                          | 53 |
|  | SKF Xtra Power Wrapped Wedge Belts . . . . .        | 25 |  | SKF Double-sided HiTD Belts . . . . .             | 58 |
|  | SKF Xtra Power Wrapped Narrow Wedge Belts . . . . . | 27 |  | Super torque timing belts . . . . .               | 61 |
|  | SKF Xtra Power Lawn and Garden Belts . . . . .      | 28 |  | Double-sided super torque timing belts . . . . .  | 65 |
|  | Variable speed belts . . . . .                      | 30 |  | SKF Metric Timing Belts . . . . .                 | 67 |
|  | SKF Banded Wedge Belts . . . . .                    | 31 |  | SKF Double-sided Metric Timing Belts . . . . .    | 70 |
|  | SKF Banded Classical Belts . . . . .                | 32 |                                                                                      |                                                   |    |

## SKF Belts

SKF belt range nomenclature has a defined prefix of PHG. All belts we produce conform to conventional basic part number format – ISO, BS, RMA or DIN.

## V Belts

The V belt designation format is constant through the range, with the following example to indicate set up.

### SKF Designation prefix

PHG SPB 1800 XP

#### Belt type

Wedge – SPZ, SPA, SPB, SPC  
Wedge CRE – XPZ, XPA, XPB, XPC  
Classical – Z, A, B, C, D, E  
Classical CRE – ZX, AX, BX, CX  
Narrow wedge – 3V, 5V, 8V  
Narrow wedge CRE – 3VX, 5VX, 8VX  
Double classical – AA, BB, CC  
Ribbed – PJ, PK, PL, PM

#### Belt lengths

Wedge all – pitch length (mm)  
Narrow wedge all – outside length ( $\frac{1}{100}$  inch)  
Classical all – inside length (inch)  
Ribbed – pitch length (mm)

#### Supplementary

Wedge & Narrow wedge – XP Xtra Power  
Wedge, Narrow wedge, Classical banded belts – X??, for number of joined belts in each band

#### Note

Ribbed belts will list number of ribs before the Belt type

## SKF Belts

SKF belt range nomenclature has a defined prefix of PHG. All belts we produce conform to conventional basic part number format – ISO, BS, RMA or DIN.

## Timing Belts

The Timing belt designation format is constant through the range, with the following example to indicate set up.

**PHG D - 198 - XL - 025**

**SKF Designation prefix**

**Belt lengths** —————  
Supplementary – D, DA, DB – double siding of belt

**Belt lengths** —————  
Classical – pitch length ( $\frac{1}{10}$  inch)  
HiTD – pitch length (mm)  
STS – pitch length (mm)  
Metric – pitch length (mm)

**Belt type** —————  
Classical – MXL, XL, L, H, XH, XXH  
HiTD – 2M, 3M, 5M, 8M, 14M  
STS – S2M, S3M, S4.5M, S5M, S8M, S14M  
Metric polyurethane – T2.5, T5, T10, T20, AT2.5, AT5, AT10

**Belt width** —————  
Classical –  $\frac{1}{100}$  of inch  
HiTD – millimeters (mm)  
STS – millimeters (mm)  
Metric – millimeters (mm)

**Note**  
Options available for long length open ended rolls – refer to SKF

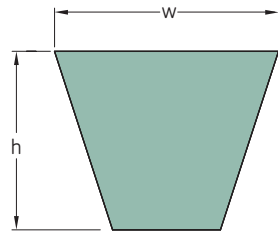
## Belts (PHG Product Group)

SKF belts are manufactured to a “worldwide” specification, PTP-0299 (Feb 2000), which is compatible with all commonly used standards:

- wrapped and cogged belts are manufactured according to GB 1171 and BS 3790
- timing belts are in accordance with quality standards GB/T13487-1992 and GB/T11616-1989
- length and tolerance control of MXL, XL, L, H, XH, XXH profiles are done in accordance with ISO 5296-1
- measurement tolerance testing is done in accordance with ISO 4184
- SKF belts are manufactured to be anti-static and as such comply with ATEX directive requirements (static conductivity testing is done in accordance with ISO 1813)
- equipment testing is done in accordance with ISO 255-1990

Rubber belts can be stored in “optimum” conditions for up to 10 years, however in real world practice we suggest storing no more than 7 years to ensure expected working life is not affected.

|                       | Main materials used in timing belts |                           |                                                                        |                                                                     |
|-----------------------|-------------------------------------|---------------------------|------------------------------------------------------------------------|---------------------------------------------------------------------|
|                       | Classical<br>(MXL, L, H, XH, XXH)   | HiTD<br>(3M, 5M, 8M, 14M) | Polyurethane metric (T2.5, T5, T10, AT2.5, AT5, AT10)<br>Truly Endless | Polyurethane metric (T2.5, T5, T10, AT2.5, AT5, AT10)<br>Open Ended |
| Tensile member (cord) | Fiberglass                          | Fiberglass                | Steel cord / Aramid cord                                               | Steel cord / Aramid cord                                            |
| Tooth compound        | CR                                  | CR                        | Polyurethane                                                           | Polyurethane                                                        |
| Tooth facing fabric   | Nylon                               | Nylon                     | no fabric                                                              | Nylon available                                                     |
| Backing fabric        | CR                                  | CR                        | no fabric                                                              | Nylon available                                                     |



| Section | Dimensions   |     | Designation | Section    | Dimensions   |       | Designation | Section | Dimensions   |     | Designation |      |      |             |            |
|---------|--------------|-----|-------------|------------|--------------|-------|-------------|---------|--------------|-----|-------------|------|------|-------------|------------|
|         | Pitch length |     |             |            | Pitch length |       |             |         | Pitch length |     |             |      |      |             |            |
|         | w            | h   |             | w          | h            |       | w           | h       |              |     |             |      |      |             |            |
| -       | mm           |     | -           | mm         |              | -     | mm          |         | -            |     |             |      |      |             |            |
| SPZ     | 512          | 9,7 | 8           | PHG SPZ512 | SPZ          | 1 250 | 9,7         | 8       | PHG SPZ1250  | SPZ | 2 360       | 9,7  | 8    | PHG SPZ2360 |            |
|         | 560          | 9,7 | 8           | PHG SPZ560 |              | 1 262 | 9,7         | 8       | PHG SPZ1262  |     | 2 410       | 9,7  | 8    | PHG SPZ2410 |            |
|         | 562          | 9,7 | 8           | PHG SPZ562 |              | 1 270 | 9,7         | 8       | PHG SPZ1270  |     | 2 500       | 9,7  | 8    | PHG SPZ2500 |            |
|         | 587          | 9,7 | 8           | PHG SPZ587 |              | 1 287 | 9,7         | 8       | PHG SPZ1287  |     | 2 540       | 9,7  | 8    | PHG SPZ2540 |            |
|         | 612          | 9,7 | 8           | PHG SPZ612 |              | 1 312 | 9,7         | 8       | PHG SPZ1312  |     | 2 580       | 9,7  | 8    | PHG SPZ2580 |            |
|         | 630          | 9,7 | 8           | PHG SPZ630 |              | 1 320 | 9,7         | 8       | PHG SPZ1320  |     | 2 650       | 9,7  | 8    | PHG SPZ2650 |            |
|         | 637          | 9,7 | 8           | PHG SPZ637 |              | 1 337 | 9,7         | 8       | PHG SPZ1337  |     | 2 690       | 9,7  | 8    | PHG SPZ2690 |            |
|         | 662          | 9,7 | 8           | PHG SPZ662 |              | 1 340 | 9,7         | 8       | PHG SPZ1340  |     | 2 800       | 9,7  | 8    | PHG SPZ2800 |            |
|         | 670          | 9,7 | 8           | PHG SPZ670 |              | 1 347 | 9,7         | 8       | PHG SPZ1347  |     | 2 840       | 9,7  | 8    | PHG SPZ2840 |            |
|         | 687          | 9,7 | 8           | PHG SPZ687 |              | 1 362 | 9,7         | 8       | PHG SPZ1362  |     | 2 900       | 9,7  | 8    | PHG SPZ2900 |            |
|         | 710          | 9,7 | 8           | PHG SPZ710 |              | 1 387 | 9,7         | 8       | PHG SPZ1387  |     | 3 000       | 9,7  | 8    | PHG SPZ3000 |            |
|         | 722          | 9,7 | 8           | PHG SPZ722 |              | 1 400 | 9,7         | 8       | PHG SPZ1400  |     | 3 150       | 9,7  | 8    | PHG SPZ3150 |            |
|         | 737          | 9,7 | 8           | PHG SPZ737 |              | 1 412 | 9,7         | 8       | PHG SPZ1412  |     | 3 170       | 9,7  | 8    | PHG SPZ3170 |            |
|         | 750          | 9,7 | 8           | PHG SPZ750 |              | 1 420 | 9,7         | 8       | PHG SPZ1420  |     | 3 350       | 9,7  | 8    | PHG SPZ3350 |            |
|         | 760          | 9,7 | 8           | PHG SPZ760 |              | 1 437 | 9,7         | 8       | PHG SPZ1437  |     | 3 550       | 9,7  | 8    | PHG SPZ3550 |            |
|         | 762          | 9,7 | 8           | PHG SPZ762 |              | 1 462 | 9,7         | 8       | PHG SPZ1462  |     | SPA         | 732  | 12,7 | 10          | PHG SPA732 |
|         | 772          | 9,7 | 8           | PHG SPZ772 |              | 1 487 | 9,7         | 8       | PHG SPZ1487  |     |             | 757  | 12,7 | 10          | PHG SPA757 |
|         | 787          | 9,7 | 8           | PHG SPZ787 |              | 1 500 | 9,7         | 8       | PHG SPZ1500  |     |             | 775  | 12,7 | 10          | PHG SPA775 |
|         | 800          | 9,7 | 8           | PHG SPZ800 |              | 1 512 | 9,7         | 8       | PHG SPZ1512  |     |             | 782  | 12,7 | 10          | PHG SPA782 |
|         | 812          | 9,7 | 8           | PHG SPZ812 |              | 1 520 | 9,7         | 8       | PHG SPZ1520  |     |             | 800  | 12,7 | 10          | PHG SPA800 |
|         | 825          | 9,7 | 8           | PHG SPZ825 |              | 1 537 | 9,7         | 8       | PHG SPZ1537  |     |             | 807  | 12,7 | 10          | PHG SPA807 |
|         | 837          | 9,7 | 8           | PHG SPZ837 |              | 1 562 | 9,7         | 8       | PHG SPZ1562  |     |             | 832  | 12,7 | 10          | PHG SPA832 |
|         | 850          | 9,7 | 8           | PHG SPZ850 |              | 1 587 | 9,7         | 8       | PHG SPZ1587  |     |             | 850  | 12,7 | 10          | PHG SPA850 |
|         | 862          | 9,7 | 8           | PHG SPZ862 |              | 1 600 | 9,7         | 8       | PHG SPZ1600  |     |             | 857  | 12,7 | 10          | PHG SPA857 |
|         | 875          | 9,7 | 8           | PHG SPZ875 |              | 1 612 | 9,7         | 8       | PHG SPZ1612  |     |             | 882  | 12,7 | 10          | PHG SPA882 |
|         | 887          | 9,7 | 8           | PHG SPZ887 |              | 1 637 | 9,7         | 8       | PHG SPZ1637  |     | 900         | 12,7 | 10   | PHG SPA900  |            |
|         | 900          | 9,7 | 8           | PHG SPZ900 |              | 1 650 | 9,7         | 8       | PHG SPZ1650  |     | 907         | 12,7 | 10   | PHG SPA907  |            |
|         | 912          | 9,7 | 8           | PHG SPZ912 |              | 1 662 | 9,7         | 8       | PHG SPZ1662  |     | 925         | 12,7 | 10   | PHG SPA925  |            |
|         | 925          | 9,7 | 8           | PHG SPZ925 |              | 1 687 | 9,7         | 8       | PHG SPZ1687  |     | 932         | 12,7 | 10   | PHG SPA932  |            |
|         | 937          | 9,7 | 8           | PHG SPZ937 |              | 1 700 | 9,7         | 8       | PHG SPZ1700  |     | 950         | 12,7 | 10   | PHG SPA950  |            |
| 950     | 9,7          | 8   | PHG SPZ950  | 1 737      | 9,7          | 8     | PHG SPZ1737 | 957     | 12,7         | 10  | PHG SPA957  |      |      |             |            |
| 962     | 9,7          | 8   | PHG SPZ962  | 1 750      | 9,7          | 8     | PHG SPZ1750 | 969     | 12,7         | 10  | PHG SPA969  |      |      |             |            |
| 987     | 9,7          | 8   | PHG SPZ987  | 1 762      | 9,7          | 8     | PHG SPZ1762 | 975     | 12,7         | 10  | PHG SPA975  |      |      |             |            |
| 1 000   | 9,7          | 8   | PHG SPZ1000 | 1 787      | 9,7          | 8     | PHG SPZ1787 | 982     | 12,7         | 10  | PHG SPA982  |      |      |             |            |
| 1 010   | 9,7          | 8   | PHG SPZ1010 | 1 800      | 9,7          | 8     | PHG SPZ1800 | 1 000   | 12,7         | 10  | PHG SPA1000 |      |      |             |            |
| 1 012   | 9,7          | 8   | PHG SPZ1012 | 1 812      | 9,7          | 8     | PHG SPZ1812 | 1 007   | 12,7         | 10  | PHG SPA1007 |      |      |             |            |
| 1 024   | 9,7          | 8   | PHG SPZ1024 | 1 837      | 9,7          | 8     | PHG SPZ1837 | 1 030   | 12,7         | 10  | PHG SPA1030 |      |      |             |            |
| 1 037   | 9,7          | 8   | PHG SPZ1037 | 1 850      | 9,7          | 8     | PHG SPZ1850 | 1 032   | 12,7         | 10  | PHG SPA1032 |      |      |             |            |
| 1 047   | 9,7          | 8   | PHG SPZ1047 | 1 862      | 9,7          | 8     | PHG SPZ1862 | 1 055   | 12,7         | 10  | PHG SPA1055 |      |      |             |            |
| 1 060   | 9,7          | 8   | PHG SPZ1060 | 1 887      | 9,7          | 8     | PHG SPZ1887 | 1 060   | 12,7         | 10  | PHG SPA1060 |      |      |             |            |
| 1 077   | 9,7          | 8   | PHG SPZ1077 | 1 900      | 9,7          | 8     | PHG SPZ1900 | 1 082   | 12,7         | 10  | PHG SPA1082 |      |      |             |            |
| 1 080   | 9,7          | 8   | PHG SPZ1080 | 1 937      | 9,7          | 8     | PHG SPZ1937 | 1 090   | 12,7         | 10  | PHG SPA1090 |      |      |             |            |
| 1 087   | 9,7          | 8   | PHG SPZ1087 | 1 950      | 9,7          | 8     | PHG SPZ1950 | 1 107   | 12,7         | 10  | PHG SPA1107 |      |      |             |            |
| 1 112   | 9,7          | 8   | PHG SPZ1112 | 1 987      | 9,7          | 8     | PHG SPZ1987 | 1 120   | 12,7         | 10  | PHG SPA1120 |      |      |             |            |
| 1 120   | 9,7          | 8   | PHG SPZ1120 | 2 000      | 9,7          | 8     | PHG SPZ2000 | 1 132   | 12,7         | 10  | PHG SPA1132 |      |      |             |            |
| 1 137   | 9,7          | 8   | PHG SPZ1137 | 2 037      | 9,7          | 8     | PHG SPZ2037 | 1 150   | 12,7         | 10  | PHG SPA1150 |      |      |             |            |
| 1 140   | 9,7          | 8   | PHG SPZ1140 | 2 060      | 9,7          | 8     | PHG SPZ2060 | 1 157   | 12,7         | 10  | PHG SPA1157 |      |      |             |            |
| 1 150   | 9,7          | 8   | PHG SPZ1150 | 2 120      | 9,7          | 8     | PHG SPZ2120 | 1 180   | 12,7         | 10  | PHG SPA1180 |      |      |             |            |
| 1 162   | 9,7          | 8   | PHG SPZ1162 | 2 137      | 9,7          | 8     | PHG SPZ2137 | 1 190   | 12,7         | 10  | PHG SPA1190 |      |      |             |            |
| 1 180   | 9,7          | 8   | PHG SPZ1180 | 2 160      | 9,7          | 8     | PHG SPZ2160 | 1 200   | 12,7         | 10  | PHG SPA1200 |      |      |             |            |
| 1 187   | 9,7          | 8   | PHG SPZ1187 | 2 187      | 9,7          | 8     | PHG SPZ2187 | 1 207   | 12,7         | 10  | PHG SPA1207 |      |      |             |            |
| 1 200   | 9,7          | 8   | PHG SPZ1200 | 2 240      | 9,7          | 8     | PHG SPZ2240 | 1 220   | 12,7         | 10  | PHG SPA1220 |      |      |             |            |
| 1 202   | 9,7          | 8   | PHG SPZ1202 | 2 262      | 9,7          | 8     | PHG SPZ2262 | 1 232   | 12,7         | 10  | PHG SPA1232 |      |      |             |            |
| 1 212   | 9,7          | 8   | PHG SPZ1212 | 2 280      | 9,7          | 8     | PHG SPZ2280 | 1 250   | 12,7         | 10  | PHG SPA1250 |      |      |             |            |
| 1 237   | 9,7          | 8   | PHG SPZ1237 | 2 287      | 9,7          | 8     | PHG SPZ2287 | 1 257   | 12,7         | 10  | PHG SPA1257 |      |      |             |            |

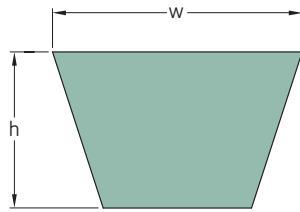
Non-standard lengths are also available.

# SKF Wrapped Wedge Belts

SPA | SPB | SPC

| Section | Dimensions   |      |             | Designation | Section | Dimensions   |             |        | Designation | Section | Dimensions   |      |    | Designation |
|---------|--------------|------|-------------|-------------|---------|--------------|-------------|--------|-------------|---------|--------------|------|----|-------------|
|         | Pitch length | w    | h           |             |         | Pitch length | w           | h      |             |         | Pitch length | w    | h  |             |
| -       | mm           |      |             | -           | -       | mm           |             |        | -           | mm      |              |      | -  |             |
| SPA     | 1 272        | 12,7 | 10          | PHG SPA1272 | SPA     | 2 650        | 12,7        | 10     | PHG SPA2650 | SPB     | 3 650        | 16,3 | 13 | PHG SPB3650 |
|         | 1 282        | 12,7 | 10          | PHG SPA1282 |         | 2 682        | 12,7        | 10     | PHG SPA2682 |         | 3 750        | 16,3 | 13 | PHG SPB3750 |
|         | 1 300        | 12,7 | 10          | PHG SPA1300 |         | 2 732        | 12,7        | 10     | PHG SPA2732 |         | 3 800        | 16,3 | 13 | PHG SPB3800 |
|         | 1 307        | 12,7 | 10          | PHG SPA1307 |         | 2 782        | 12,7        | 10     | PHG SPA2782 |         | 3 870        | 16,3 | 13 | PHG SPB3870 |
|         | 1 320        | 12,7 | 10          | PHG SPA1320 |         | 2 800        | 12,7        | 10     | PHG SPA2800 |         | 4 000        | 16,3 | 13 | PHG SPB4000 |
|         | 1 332        | 12,7 | 10          | PHG SPA1332 |         | 2 832        | 12,7        | 10     | PHG SPA2832 |         | 4 060        | 16,3 | 13 | PHG SPB4060 |
|         | 1 357        | 12,7 | 10          | PHG SPA1357 |         | 2 847        | 12,7        | 10     | PHG SPA2847 |         | 4 120        | 16,3 | 13 | PHG SPB4120 |
|         | 1 360        | 12,7 | 10          | PHG SPA1360 |         | 2 882        | 12,7        | 10     | PHG SPA2882 |         | 4 250        | 16,3 | 13 | PHG SPB4250 |
|         | 1 367        | 12,7 | 10          | PHG SPA1367 |         | 2 900        | 12,7        | 10     | PHG SPA2900 |         | 4 310        | 16,3 | 13 | PHG SPB4310 |
|         | 1 382        | 12,7 | 10          | PHG SPA1382 |         | 2 932        | 12,7        | 10     | PHG SPA2932 |         | 4 500        | 16,3 | 13 | PHG SPB4500 |
| 1 400   | 12,7         | 10   | PHG SPA1400 | 2 982       | 12,7    | 10           | PHG SPA2982 | 4 560  | 16,3        | 13      | PHG SPB4560  |      |    |             |
| 1 407   | 12,7         | 10   | PHG SPA1407 | 3 000       | 12,7    | 10           | PHG SPA3000 | 4 620  | 16,3        | 13      | PHG SPB4620  |      |    |             |
| 1 415   | 12,7         | 10   | PHG SPA1415 | 3 032       | 12,7    | 10           | PHG SPA3032 | 4 750  | 16,3        | 13      | PHG SPB4750  |      |    |             |
| 1 420   | 12,7         | 10   | PHG SPA1420 | 3 082       | 12,7    | 10           | PHG SPA3082 | 4 820  | 16,3        | 13      | PHG SPB4820  |      |    |             |
| 1 432   | 12,7         | 10   | PHG SPA1432 | 3 150       | 12,7    | 10           | PHG SPA3150 | 5 000  | 16,3        | 13      | PHG SPB5000  |      |    |             |
| 1 450   | 12,7         | 10   | PHG SPA1450 | 3 182       | 12,7    | 10           | PHG SPA3182 | 5 070  | 16,3        | 13      | PHG SPB5070  |      |    |             |
| 1 457   | 12,7         | 10   | PHG SPA1457 | 3 282       | 12,7    | 10           | PHG SPA3282 | 5 300  | 16,3        | 13      | PHG SPB5300  |      |    |             |
| 1 482   | 12,7         | 10   | PHG SPA1482 | 3 350       | 12,7    | 10           | PHG SPA3350 | 5 380  | 16,3        | 13      | PHG SPB5380  |      |    |             |
| 1 490   | 12,7         | 10   | PHG SPA1490 | 3 382       | 12,7    | 10           | PHG SPA3382 | 5 500  | 16,3        | 13      | PHG SPB5500  |      |    |             |
| 1 500   | 12,7         | 10   | PHG SPA1500 | 3 550       | 12,7    | 10           | PHG SPA3550 | 5 600  | 16,3        | 13      | PHG SPB5600  |      |    |             |
| 1 507   | 12,7         | 10   | PHG SPA1507 | 3 750       | 12,7    | 10           | PHG SPA3750 | 5 680  | 16,3        | 13      | PHG SPB5680  |      |    |             |
| 1 532   | 12,7         | 10   | PHG SPA1532 | 4 000       | 12,7    | 10           | PHG SPA4000 | 6 000  | 16,3        | 13      | PHG SPB6000  |      |    |             |
| 1 550   | 12,7         | 10   | PHG SPA1550 | 4 250       | 12,7    | 10           | PHG SPA4250 | 6 300  | 16,3        | 13      | PHG SPB6300  |      |    |             |
| 1 557   | 12,7         | 10   | PHG SPA1557 | 4 500       | 12,7    | 10           | PHG SPA4500 | 6 340  | 16,3        | 13      | PHG SPB6340  |      |    |             |
| 1 582   | 12,7         | 10   | PHG SPA1582 | 4 500       | 12,7    | 10           | PHG SPA4500 | 6 700  | 16,3        | 13      | PHG SPB6700  |      |    |             |
| 1 600   | 12,7         | 10   | PHG SPA1600 | 1 250       | 16,3    | 13           | PHG SPB1250 | 7 100  | 16,3        | 13      | PHG SPB7100  |      |    |             |
| 1 607   | 12,7         | 10   | PHG SPA1607 | 1 260       | 16,3    | 13           | PHG SPB1260 | 7 500  | 16,3        | 13      | PHG SPB7500  |      |    |             |
| 1 632   | 12,7         | 10   | PHG SPA1632 | 1 270       | 16,3    | 13           | PHG SPB1270 | 8 000  | 16,3        | 13      | PHG SPB8000  |      |    |             |
| 1 650   | 12,7         | 10   | PHG SPA1650 | 1 280       | 16,3    | 13           | PHG SPB1280 | 1 700  | 22,0        | 18      | PHG SPC1700  |      |    |             |
| 1 657   | 12,7         | 10   | PHG SPA1657 | 1 320       | 16,3    | 13           | PHG SPB1320 | 2 000  | 22,0        | 18      | PHG SPC2000  |      |    |             |
| 1 682   | 12,7         | 10   | PHG SPA1682 | 1 340       | 16,3    | 13           | PHG SPB1340 | 2 120  | 22,0        | 18      | PHG SPC2120  |      |    |             |
| 1 700   | 12,7         | 10   | PHG SPA1700 | 1 400       | 16,3    | 13           | PHG SPB1400 | 2 240  | 22,0        | 18      | PHG SPC2240  |      |    |             |
| 1 707   | 12,7         | 10   | PHG SPA1707 | 1 410       | 16,3    | 13           | PHG SPB1410 | 2 360  | 22,0        | 18      | PHG SPC2360  |      |    |             |
| 1 732   | 12,7         | 10   | PHG SPA1732 | 1 450       | 16,3    | 13           | PHG SPB1450 | 2 500  | 22,0        | 18      | PHG SPC2500  |      |    |             |
| 1 750   | 12,7         | 10   | PHG SPA1750 | 1 465       | 16,3    | 13           | PHG SPB1465 | 2 650  | 22,0        | 18      | PHG SPC2650  |      |    |             |
| 1 757   | 12,7         | 10   | PHG SPA1757 | 1 500       | 16,3    | 13           | PHG SPB1500 | 2 800  | 22,0        | 18      | PHG SPC2800  |      |    |             |
| 1 782   | 12,7         | 10   | PHG SPA1782 | 1 510       | 16,3    | 13           | PHG SPB1510 | 3 000  | 22,0        | 18      | PHG SPC3000  |      |    |             |
| 1 800   | 12,7         | 10   | PHG SPA1800 | 1 525       | 16,3    | 13           | PHG SPB1525 | 3 150  | 22,0        | 18      | PHG SPC3150  |      |    |             |
| 1 807   | 12,7         | 10   | PHG SPA1807 | 1 590       | 16,3    | 13           | PHG SPB1590 | 3 350  | 22,0        | 18      | PHG SPC3350  |      |    |             |
| 1 820   | 12,7         | 10   | PHG SPA1820 | 1 600       | 16,3    | 13           | PHG SPB1600 | 3 550  | 22,0        | 18      | PHG SPC3550  |      |    |             |
| 1 832   | 12,7         | 10   | PHG SPA1832 | 1 650       | 16,3    | 13           | PHG SPB1650 | 3 750  | 22,0        | 18      | PHG SPC3750  |      |    |             |
| 1 850   | 12,7         | 10   | PHG SPA1850 | 1 690       | 16,3    | 13           | PHG SPB1690 | 4 000  | 22,0        | 18      | PHG SPC4000  |      |    |             |
| 1 857   | 12,7         | 10   | PHG SPA1857 | 1 700       | 16,3    | 13           | PHG SPB1700 | 4 250  | 22,0        | 18      | PHG SPC4250  |      |    |             |
| 1 882   | 12,7         | 10   | PHG SPA1882 | 1 720       | 16,3    | 13           | PHG SPB1720 | 4 500  | 22,0        | 18      | PHG SPC4500  |      |    |             |
| 1 900   | 12,7         | 10   | PHG SPA1900 | 1 750       | 16,3    | 13           | PHG SPB1750 | 4 750  | 22,0        | 18      | PHG SPC4750  |      |    |             |
| 1 907   | 12,7         | 10   | PHG SPA1907 | 1 800       | 16,3    | 13           | PHG SPB1800 | 5 000  | 22,0        | 18      | PHG SPC5000  |      |    |             |
| 1 932   | 12,7         | 10   | PHG SPA1932 | 1 850       | 16,3    | 13           | PHG SPB1850 | 5 300  | 22,0        | 18      | PHG SPC5300  |      |    |             |
| 1 950   | 12,7         | 10   | PHG SPA1950 | 1 900       | 16,3    | 13           | PHG SPB1900 | 5 600  | 22,0        | 18      | PHG SPC5600  |      |    |             |
| 1 957   | 12,7         | 10   | PHG SPA1957 | 2 000       | 16,3    | 13           | PHG SPB2000 | 6 000  | 22,0        | 18      | PHG SPC6000  |      |    |             |
| 1 982   | 12,7         | 10   | PHG SPA1982 | 2 020       | 16,3    | 13           | PHG SPB2020 | 6 300  | 22,0        | 18      | PHG SPC6300  |      |    |             |
| 2 000   | 12,7         | 10   | PHG SPA2000 | 2 060       | 16,3    | 13           | PHG SPB2060 | 6 700  | 22,0        | 18      | PHG SPC6700  |      |    |             |
| 2 032   | 12,7         | 10   | PHG SPA2032 | 2 120       | 16,3    | 13           | PHG SPB2120 | 7 100  | 22,0        | 18      | PHG SPC7100  |      |    |             |
| 2 057   | 12,7         | 10   | PHG SPA2057 | 2 150       | 16,3    | 13           | PHG SPB2150 | 7 500  | 22,0        | 18      | PHG SPC7500  |      |    |             |
| 2 060   | 12,7         | 10   | PHG SPA2060 | 2 180       | 16,3    | 13           | PHG SPB2180 | 8 000  | 22,0        | 18      | PHG SPC8000  |      |    |             |
| 2 082   | 12,7         | 10   | PHG SPA2082 | 2 240       | 16,3    | 13           | PHG SPB2240 | 8 500  | 22,0        | 18      | PHG SPC8500  |      |    |             |
| 2 120   | 12,7         | 10   | PHG SPA2120 | 2 280       | 16,3    | 13           | PHG SPB2280 | 9 000  | 22,0        | 18      | PHG SPC9000  |      |    |             |
| 2 132   | 12,7         | 10   | PHG SPA2132 | 2 360       | 16,3    | 13           | PHG SPB2360 | 9 500  | 22,0        | 18      | PHG SPC9500  |      |    |             |
| 2 160   | 12,7         | 10   | PHG SPA2160 | 2 410       | 16,3    | 13           | PHG SPB2410 | 10 000 | 22,0        | 18      | PHG SPC10000 |      |    |             |
| 2 182   | 12,7         | 10   | PHG SPA2182 | 2 430       | 16,3    | 13           | PHG SPB2430 | 10 600 | 22,0        | 18      | PHG SPC10600 |      |    |             |
| 2 207   | 12,7         | 10   | PHG SPA2207 | 2 500       | 16,3    | 13           | PHG SPB2500 | 11 200 | 22,0        | 18      | PHG SPC11200 |      |    |             |
| 2 232   | 12,7         | 10   | PHG SPA2232 | 2 530       | 16,3    | 13           | PHG SPB2530 | 11 800 | 22,0        | 18      | PHG SPC11800 |      |    |             |
| 2 240   | 12,7         | 10   | PHG SPA2240 | 2 580       | 16,3    | 13           | PHG SPB2580 | 12 500 | 22,0        | 18      | PHG SPC12500 |      |    |             |
| 2 282   | 12,7         | 10   | PHG SPA2282 | 2 600       | 16,3    | 13           | PHG SPB2600 |        |             |         |              |      |    |             |
| 2 300   | 12,7         | 10   | PHG SPA2300 | 2 650       | 16,3    | 13           | PHG SPB2650 |        |             |         |              |      |    |             |
| 2 307   | 12,7         | 10   | PHG SPA2307 | 2 680       | 16,3    | 13           | PHG SPB2680 |        |             |         |              |      |    |             |
| 2 332   | 12,7         | 10   | PHG SPA2332 | 2 700       | 16,3    | 13           | PHG SPB2700 |        |             |         |              |      |    |             |
| 2 360   | 12,7         | 10   | PHG SPA2360 | 2 800       | 16,3    | 13           | PHG SPB2800 |        |             |         |              |      |    |             |
| 2 382   | 12,7         | 10   | PHG SPA2382 | 2 840       | 16,3    | 13           | PHG SPB2840 |        |             |         |              |      |    |             |
| 2 430   | 12,7         | 10   | PHG SPA2430 | 2 900       | 16,3    | 13           | PHG SPB2900 |        |             |         |              |      |    |             |
| 2 432   | 12,7         | 10   | PHG SPA2432 | 2 990       | 16,3    | 13           | PHG SPB2990 |        |             |         |              |      |    |             |
| 2 482   | 12,7         | 10   | PHG SPA2482 | 3 000       | 16,3    | 13           | PHG SPB3000 |        |             |         |              |      |    |             |
| 2 500   | 12,7         | 10   | PHG SPA2500 | 3 070       | 16,3    | 13           | PHG SPB3070 |        |             |         |              |      |    |             |
| 2 532   | 12,7         | 10   | PHG SPA2532 | 3 150       | 16,3    | 13           | PHG SPB3150 |        |             |         |              |      |    |             |
| 2 582   | 12,7         | 10   | PHG SPA2582 | 3 250       | 16,3    | 13           | PHG SPB3250 |        |             |         |              |      |    |             |
| 2 607   | 12,7         | 10   | PHG SPA2607 | 3 350       | 16,3    | 13           | PHG SPB3350 |        |             |         |              |      |    |             |
| 2 632   | 12,7         | 10   | PHG SPA2632 | 3 450       | 16,3    | 13           | PHG SPB3450 |        |             |         |              |      |    |             |
|         |              |      |             | 3 550       | 16,3    | 13           | PHG SPB3550 |        |             |         |              |      |    |             |

Non-standard lengths are also available.



| Section | Dimensions   |       | Inside length |    | Designation |         |
|---------|--------------|-------|---------------|----|-------------|---------|
|         | Pitch length | mm    | in.           | w  | h           |         |
| 10/Z    | 395          | 381   | 15.00         | 10 | 6           | PHG Z15 |
|         | 420          | 406   | 16.00         | 10 | 6           | PHG Z16 |
|         | 445          | 432   | 17.00         | 10 | 6           | PHG Z17 |
|         | 470          | 457   | 18.00         | 10 | 6           | PHG Z18 |
|         | 495          | 483   | 19.00         | 10 | 6           | PHG Z19 |
|         | 520          | 508   | 20.00         | 10 | 6           | PHG Z20 |
|         | 545          | 533   | 21.00         | 10 | 6           | PHG Z21 |
|         | 570          | 559   | 22.00         | 10 | 6           | PHG Z22 |
|         | 600          | 584   | 23.00         | 10 | 6           | PHG Z23 |
|         | 620          | 610   | 24.00         | 10 | 6           | PHG Z24 |
|         | 650          | 635   | 25.00         | 10 | 6           | PHG Z25 |
|         | 680          | 660   | 26.00         | 10 | 6           | PHG Z26 |
|         | 700          | 686   | 27.00         | 10 | 6           | PHG Z27 |
|         | 725          | 711   | 28.00         | 10 | 6           | PHG Z28 |
|         | 750          | 737   | 29.00         | 10 | 6           | PHG Z29 |
|         | 780          | 762   | 30.00         | 10 | 6           | PHG Z30 |
|         | 800          | 787   | 31.00         | 10 | 6           | PHG Z31 |
|         | 840          | 813   | 32.00         | 10 | 6           | PHG Z32 |
|         | 850          | 838   | 33.00         | 10 | 6           | PHG Z33 |
|         | 875          | 864   | 34.00         | 10 | 6           | PHG Z34 |
| 900     | 889          | 35.00 | 10            | 6  | PHG Z35     |         |
| 930     | 914          | 36.00 | 10            | 6  | PHG Z36     |         |
| 950     | 940          | 37.00 | 10            | 6  | PHG Z37     |         |
| 980     | 965          | 38.00 | 10            | 6  | PHG Z38     |         |
| 1 015   | 991          | 39.00 | 10            | 6  | PHG Z39     |         |
| 1 035   | 1 016        | 40.00 | 10            | 6  | PHG Z40     |         |
| 1 055   | 1 041        | 41.00 | 10            | 6  | PHG Z41     |         |
| 1 080   | 1 067        | 42.00 | 10            | 6  | PHG Z42     |         |
| 1 105   | 1 092        | 43.00 | 10            | 6  | PHG Z43     |         |
| 1 130   | 1 118        | 44.00 | 10            | 6  | PHG Z44     |         |
| 1 155   | 1 143        | 45.00 | 10            | 6  | PHG Z45     |         |
| 1 190   | 1 168        | 46.00 | 10            | 6  | PHG Z46     |         |
| 1 205   | 1 194        | 47.00 | 10            | 6  | PHG Z47     |         |
| 1 240   | 1 219        | 48.00 | 10            | 6  | PHG Z48     |         |
| 1 270   | 1 245        | 49.00 | 10            | 6  | PHG Z49     |         |
| 1 290   | 1 270        | 50.00 | 10            | 6  | PHG Z50     |         |
| 1 330   | 1 295        | 51.00 | 10            | 6  | PHG Z51     |         |
| 1 340   | 1 321        | 52.00 | 10            | 6  | PHG Z52     |         |
| 1 380   | 1 346        | 53.00 | 10            | 6  | PHG Z53     |         |
| 1 390   | 1 372        | 54.00 | 10            | 6  | PHG Z54     |         |
| 1 420   | 1 397        | 55.00 | 10            | 6  | PHG Z55     |         |
| 1 440   | 1 422        | 56.00 | 10            | 6  | PHG Z56     |         |
| 1 465   | 1 448        | 57.00 | 10            | 6  | PHG Z57     |         |
| 1 515   | 1 499        | 59.00 | 10            | 6  | PHG Z59     |         |
| 1 540   | 1 524        | 60.00 | 10            | 6  | PHG Z60     |         |
| 1 570   | 1 549        | 61.00 | 10            | 6  | PHG Z61     |         |
| 1 595   | 1 575        | 62.00 | 10            | 6  | PHG Z62     |         |
| 1 620   | 1 600        | 63.00 | 10            | 6  | PHG Z63     |         |
| 1 645   | 1 626        | 64.00 | 10            | 6  | PHG Z64     |         |
| 1 670   | 1 651        | 65.00 | 10            | 6  | PHG Z65     |         |
| 1 695   | 1 676        | 66.00 | 10            | 6  | PHG Z66     |         |
| 1 720   | 1 702        | 67.00 | 10            | 6  | PHG Z67     |         |
| 1 750   | 1 727        | 68.00 | 10            | 6  | PHG Z68     |         |
| 1 770   | 1 753        | 69.00 | 10            | 6  | PHG Z69     |         |
| 1 820   | 1 803        | 71.00 | 10            | 6  | PHG Z71     |         |

| Section | Dimensions   |       | Inside length |    | Designation |         |
|---------|--------------|-------|---------------|----|-------------|---------|
|         | Pitch length | mm    | in.           | w  | h           |         |
| 10/Z    | 1 930        | 1 905 | 75.00         | 10 | 6           | PHG Z75 |
|         | 2 000        | 1 981 | 78.00         | 10 | 6           | PHG Z78 |
|         | 2 025        | 2 007 | 79.00         | 10 | 6           | PHG Z79 |
|         |              |       |               |    |             |         |
| 13/A    | 436          | 406   | 16.00         | 13 | 8           | PHG A16 |
|         | 487          | 457   | 18.00         | 13 | 8           | PHG A18 |
|         | 510          | 483   | 19.00         | 13 | 8           | PHG A19 |
|         | 540          | 508   | 20.00         | 13 | 8           | PHG A20 |
|         | 570          | 533   | 21.00         | 13 | 8           | PHG A21 |
|         | 590          | 559   | 22.00         | 13 | 8           | PHG A22 |
|         | 620          | 584   | 23.00         | 13 | 8           | PHG A23 |
|         | 640          | 610   | 24.00         | 13 | 8           | PHG A24 |
|         | 670          | 635   | 25.00         | 13 | 8           | PHG A25 |
|         | 700          | 660   | 26.00         | 13 | 8           | PHG A26 |
|         | 720          | 686   | 27.00         | 13 | 8           | PHG A27 |
|         | 740          | 711   | 28.00         | 13 | 8           | PHG A28 |
|         | 770          | 737   | 29.00         | 13 | 8           | PHG A29 |
|         | 790          | 762   | 30.00         | 13 | 8           | PHG A30 |
|         | 817          | 787   | 31.00         | 13 | 8           | PHG A31 |
|         | 850          | 813   | 32.00         | 13 | 8           | PHG A32 |
|         | 870          | 838   | 33.00         | 13 | 8           | PHG A33 |
|         | 890          | 864   | 34.00         | 13 | 8           | PHG A34 |
|         | 920          | 889   | 35.00         | 13 | 8           | PHG A35 |
|         | 950          | 914   | 36.00         | 13 | 8           | PHG A36 |
|         | 970          | 940   | 37.00         | 13 | 8           | PHG A37 |
|         | 990          | 965   | 38.00         | 13 | 8           | PHG A38 |
|         | 1 020        | 991   | 39.00         | 13 | 8           | PHG A39 |
|         | 1 050        | 1 016 | 40.00         | 13 | 8           | PHG A40 |
|         | 1 070        | 1 041 | 41.00         | 13 | 8           | PHG A41 |
|         | 1 100        | 1 067 | 42.00         | 13 | 8           | PHG A42 |
|         | 1 130        | 1 092 | 43.00         | 13 | 8           | PHG A43 |
|         | 1 150        | 1 118 | 44.00         | 13 | 8           | PHG A44 |
|         | 1 180        | 1 143 | 45.00         | 13 | 8           | PHG A45 |
|         | 1 200        | 1 168 | 46.00         | 13 | 8           | PHG A46 |
|         | 1 230        | 1 194 | 47.00         | 13 | 8           | PHG A47 |
|         | 1 250        | 1 219 | 48.00         | 13 | 8           | PHG A48 |
| 1 280   | 1 245        | 49.00 | 13            | 8  | PHG A49     |         |
| 1 300   | 1 270        | 50.00 | 13            | 8  | PHG A50     |         |
| 1 330   | 1 295        | 51.00 | 13            | 8  | PHG A51     |         |
| 1 360   | 1 321        | 52.00 | 13            | 8  | PHG A52     |         |
| 1 380   | 1 346        | 53.00 | 13            | 8  | PHG A53     |         |
| 1 410   | 1 372        | 54.00 | 13            | 8  | PHG A54     |         |
| 1 430   | 1 397        | 55.00 | 13            | 8  | PHG A55     |         |
| 1 460   | 1 422        | 56.00 | 13            | 8  | PHG A56     |         |
| 1 480   | 1 448        | 57.00 | 13            | 8  | PHG A57     |         |
| 1 510   | 1 473        | 58.00 | 13            | 8  | PHG A58     |         |
| 1 530   | 1 499        | 59.00 | 13            | 8  | PHG A59     |         |
| 1 550   | 1 524        | 60.00 | 13            | 8  | PHG A60     |         |
| 1 580   | 1 549        | 61.00 | 13            | 8  | PHG A61     |         |
| 1 610   | 1 575        | 62.00 | 13            | 8  | PHG A62     |         |
| 1 640   | 1 600        | 63.00 | 13            | 8  | PHG A63     |         |
| 1 660   | 1 626        | 64.00 | 13            | 8  | PHG A64     |         |
| 1 690   | 1 651        | 65.00 | 13            | 8  | PHG A65     |         |
| 1 710   | 1 676        | 66.00 | 13            | 8  | PHG A66     |         |
| 1 740   | 1 702        | 67.00 | 13            | 8  | PHG A67     |         |

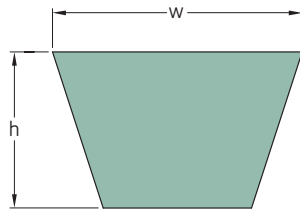
Non-standard lengths are also available.

# SKF Wrapped Classical Belts

13/A | 17/B

| Section | Dimensions   |               | Designation |       |              | Section  | Dimensions    |       | Designation |        |    |         |          |
|---------|--------------|---------------|-------------|-------|--------------|----------|---------------|-------|-------------|--------|----|---------|----------|
|         | Pitch length | Inside length | w           | h     | Pitch length |          | Inside length | w     | h           |        |    |         |          |
| -       | mm           | in.           | mm          | -     | -            | mm       | in.           | mm    | -           |        |    |         |          |
| 13/A    | 1 760        | 1 727         | 68.00       | 13    | 8            | PHG A68  | 1 130         | 1 092 | 43.00       | 17     | 11 | PHG B43 |          |
|         | 1 790        | 1 753         | 69.00       | 13    | 8            | PHG A69  | 1 160         | 1 118 | 44.00       | 17     | 11 | PHG B44 |          |
|         | 1 810        | 1 778         | 70.00       | 13    | 8            | PHG A70  | 1 180         | 1 143 | 45.00       | 17     | 11 | PHG B45 |          |
|         | 1 840        | 1 803         | 71.00       | 13    | 8            | PHG A71  | 1 210         | 1 168 | 46.00       | 17     | 11 | PHG B46 |          |
|         | 1 860        | 1 829         | 72.00       | 13    | 8            | PHG A72  | 1 240         | 1 194 | 47.00       | 17     | 11 | PHG B47 |          |
|         | 1 890        | 1 854         | 73.00       | 13    | 8            | PHG A73  | 1 260         | 1 219 | 48.00       | 17     | 11 | PHG B48 |          |
|         | 1 920        | 1 880         | 74.00       | 13    | 8            | PHG A74  | 1 290         | 1 245 | 49.00       | 17     | 11 | PHG B49 |          |
|         | 1 940        | 1 905         | 75.00       | 13    | 8            | PHG A75  | 1 310         | 1 270 | 50.00       | 17     | 11 | PHG B50 |          |
|         | 1 960        | 1 930         | 76.00       | 13    | 8            | PHG A76  | 1 340         | 1 295 | 51.00       | 17     | 11 | PHG B51 |          |
|         | 1 990        | 1 956         | 77.00       | 13    | 8            | PHG A77  | 1 370         | 1 321 | 52.00       | 17     | 11 | PHG B52 |          |
|         | 2 020        | 1 981         | 78.00       | 13    | 8            | PHG A78  | 1 390         | 1 346 | 53.00       | 17     | 11 | PHG B53 |          |
|         | 2 050        | 2 007         | 79.00       | 13    | 8            | PHG A79  | 1 410         | 1 372 | 54.00       | 17     | 11 | PHG B54 |          |
|         | 2 070        | 2 032         | 80.00       | 13    | 8            | PHG A80  | 1 440         | 1 397 | 55.00       | 17     | 11 | PHG B55 |          |
|         | 2 090        | 2 057         | 81.00       | 13    | 8            | PHG A81  | 1 460         | 1 422 | 56.00       | 17     | 11 | PHG B56 |          |
|         | 2 120        | 2 083         | 82.00       | 13    | 8            | PHG A82  | 1 490         | 1 448 | 57.00       | 17     | 11 | PHG B57 |          |
|         | 2 140        | 2 108         | 83.00       | 13    | 8            | PHG A83  | 1 510         | 1 473 | 58.00       | 17     | 11 | PHG B58 |          |
|         | 2 170        | 2 134         | 84.00       | 13    | 8            | PHG A84  | 1 540         | 1 499 | 59.00       | 17     | 11 | PHG B59 |          |
|         | 2 200        | 2 159         | 85.00       | 13    | 8            | PHG A85  | 1 560         | 1 524 | 60.00       | 17     | 11 | PHG B60 |          |
|         | 2 220        | 2 184         | 86.00       | 13    | 8            | PHG A86  | 1 590         | 1 549 | 61.00       | 17     | 11 | PHG B61 |          |
|         | 2 240        | 2 210         | 87.00       | 13    | 8            | PHG A87  | 1 620         | 1 575 | 62.00       | 17     | 11 | PHG B62 |          |
|         | 2 270        | 2 235         | 88.00       | 13    | 8            | PHG A88  | 1 640         | 1 600 | 63.00       | 17     | 11 | PHG B63 |          |
|         | 2 300        | 2 261         | 89.00       | 13    | 8            | PHG A89  | 1 670         | 1 626 | 64.00       | 17     | 11 | PHG B64 |          |
|         | 2 320        | 2 286         | 90.00       | 13    | 8            | PHG A90  | 1 690         | 1 651 | 65.00       | 17     | 11 | PHG B65 |          |
|         | 2 350        | 2 311         | 91.00       | 13    | 8            | PHG A91  | 1 720         | 1 676 | 66.00       | 17     | 11 | PHG B66 |          |
|         | 2 370        | 2 337         | 92.00       | 13    | 8            | PHG A92  | 1 740         | 1 702 | 67.00       | 17     | 11 | PHG B67 |          |
|         | 2 400        | 2 362         | 93.00       | 13    | 8            | PHG A93  | 1 760         | 1 727 | 68.00       | 17     | 11 | PHG B68 |          |
|         | 2 420        | 2 388         | 94.00       | 13    | 8            | PHG A94  | 1 800         | 1 753 | 69.00       | 17     | 11 | PHG B69 |          |
|         | 2 450        | 2 413         | 95.00       | 13    | 8            | PHG A95  | 1 820         | 1 778 | 70.00       | 17     | 11 | PHG B70 |          |
|         | 2 480        | 2 438         | 96.00       | 13    | 8            | PHG A96  | 1 850         | 1 803 | 71.00       | 17     | 11 | PHG B71 |          |
|         | 2 500        | 2 464         | 97.00       | 13    | 8            | PHG A97  | 1 870         | 1 829 | 72.00       | 17     | 11 | PHG B72 |          |
|         | 2 520        | 2 489         | 98.00       | 13    | 8            | PHG A98  | 1 900         | 1 854 | 73.00       | 17     | 11 | PHG B73 |          |
|         | 2 550        | 2 515         | 99.00       | 13    | 8            | PHG A99  | 1 920         | 1 880 | 74.00       | 17     | 11 | PHG B74 |          |
|         | 2 570        | 2 540         | 100.00      | 13    | 8            | PHG A100 | 1 950         | 1 905 | 75.00       | 17     | 11 | PHG B75 |          |
|         | 2 630        | 2 591         | 102.00      | 13    | 8            | PHG A102 | 1 970         | 1 930 | 76.00       | 17     | 11 | PHG B76 |          |
|         | 2 680        | 2 642         | 104.00      | 13    | 8            | PHG A104 | 2 000         | 1 956 | 77.00       | 17     | 11 | PHG B77 |          |
|         | 2 700        | 2 667         | 105.00      | 13    | 8            | PHG A105 | 2 020         | 1 981 | 78.00       | 17     | 11 | PHG B78 |          |
|         | 2 750        | 2 718         | 107.00      | 13    | 8            | PHG A107 | 2 050         | 2 007 | 79.00       | 17     | 11 | PHG B79 |          |
|         | 2 780        | 2 743         | 108.00      | 13    | 8            | PHG A108 | 2 070         | 2 032 | 80.00       | 17     | 11 | PHG B80 |          |
|         | 2 830        | 2 794         | 110.00      | 13    | 8            | PHG A110 | 2 100         | 2 057 | 81.00       | 17     | 11 | PHG B81 |          |
|         | 2 880        | 2 845         | 112.00      | 13    | 8            | PHG A112 | 2 130         | 2 083 | 82.00       | 17     | 11 | PHG B82 |          |
|         | 2 930        | 2 896         | 114.00      | 13    | 8            | PHG A114 | 2 150         | 2 108 | 83.00       | 17     | 11 | PHG B83 |          |
|         | 2 980        | 2 946         | 116.00      | 13    | 8            | PHG A116 | 2 180         | 2 134 | 84.00       | 17     | 11 | PHG B84 |          |
|         | 3 030        | 2 997         | 118.00      | 13    | 8            | PHG A118 | 2 200         | 2 159 | 85.00       | 17     | 11 | PHG B85 |          |
|         | 3 080        | 3 048         | 120.00      | 13    | 8            | PHG A120 | 2 230         | 2 184 | 86.00       | 17     | 11 | PHG B86 |          |
|         | 3 190        | 3 150         | 124.00      | 13    | 8            | PHG A124 | 2 250         | 2 210 | 87.00       | 17     | 11 | PHG B87 |          |
|         | 3 290        | 3 251         | 128.00      | 13    | 8            | PHG A128 | 2 280         | 2 235 | 88.00       | 17     | 11 | PHG B88 |          |
|         | 3 340        | 3 302         | 130.00      | 13    | 8            | PHG A130 | 2 300         | 2 261 | 89.00       | 17     | 11 | PHG B89 |          |
|         | 3 390        | 3 353         | 132.00      | 13    | 8            | PHG A132 | 2 330         | 2 286 | 90.00       | 17     | 11 | PHG B90 |          |
|         | 3 490        | 3 454         | 136.00      | 13    | 8            | PHG A136 | 2 350         | 2 311 | 91.00       | 17     | 11 | PHG B91 |          |
|         | 3 590        | 3 556         | 140.00      | 13    | 8            | PHG A140 | 2 380         | 2 337 | 92.00       | 17     | 11 | PHG B92 |          |
|         | 3 690        | 3 658         | 144.00      | 13    | 8            | PHG A144 | 2 400         | 2 362 | 93.00       | 17     | 11 | PHG B93 |          |
|         | 3 800        | 3 759         | 148.00      | 13    | 8            | PHG A148 | 2 420         | 2 388 | 94.00       | 17     | 11 | PHG B94 |          |
|         | 3 840        | 3 810         | 150.00      | 13    | 8            | PHG A150 | 2 450         | 2 413 | 95.00       | 17     | 11 | PHG B95 |          |
|         | 4 043        | 4 013         | 158.00      | 13    | 8            | PHG A158 | 2 480         | 2 438 | 96.00       | 17     | 11 | PHG B96 |          |
|         | 4 424        | 4 394         | 173.00      | 13    | 8            | PHG A173 | 2 500         | 2 464 | 97.00       | 17     | 11 | PHG B97 |          |
|         | 4 780        | 4 750         | 187.00      | 13    | 8            | PHG A187 | 2 530         | 2 489 | 98.00       | 17     | 11 | PHG B98 |          |
|         | 17/B         | 624           | 584         | 23.00 | 17           | 11       | PHG B23       | 2 560 | 2 515       | 99.00  | 17 | 11      | PHG B99  |
|         |              | 650           | 610         | 24.00 | 17           | 11       | PHG B24       | 2 580 | 2 540       | 100.00 | 17 | 11      | PHG B100 |
|         |              | 675           | 635         | 25.00 | 17           | 11       | PHG B25       | 2 610 | 2 565       | 101.00 | 17 | 11      | PHG B101 |
|         |              | 700           | 660         | 26.00 | 17           | 11       | PHG B26       | 2 630 | 2 591       | 102.00 | 17 | 11      | PHG B102 |
|         |              | 730           | 686         | 27.00 | 17           | 11       | PHG B27       | 2 660 | 2 616       | 103.00 | 17 | 11      | PHG B103 |
|         |              | 750           | 711         | 28.00 | 17           | 11       | PHG B28       | 2 680 | 2 642       | 104.00 | 17 | 11      | PHG B104 |
|         |              | 770           | 737         | 29.00 | 17           | 11       | PHG B29       | 2 700 | 2 667       | 105.00 | 17 | 11      | PHG B105 |
|         |              | 800           | 762         | 30.00 | 17           | 11       | PHG B30       | 2 740 | 2 692       | 106.00 | 17 | 11      | PHG B106 |
|         |              | 830           | 787         | 31.00 | 17           | 11       | PHG B31       | 2 760 | 2 718       | 107.00 | 17 | 11      | PHG B107 |
|         |              | 860           | 813         | 32.00 | 17           | 11       | PHG B32       | 2 790 | 2 743       | 108.00 | 17 | 11      | PHG B108 |
|         |              | 880           | 838         | 33.00 | 17           | 11       | PHG B33       | 2 840 | 2 794       | 110.00 | 17 | 11      | PHG B110 |
|         |              | 910           | 864         | 34.00 | 17           | 11       | PHG B34       | 2 890 | 2 845       | 112.00 | 17 | 11      | PHG B112 |
|         |              | 930           | 889         | 35.00 | 17           | 11       | PHG B35       | 2 940 | 2 896       | 114.00 | 17 | 11      | PHG B114 |
|         |              | 960           | 914         | 36.00 | 17           | 11       | PHG B36       | 2 960 | 2 921       | 115.00 | 17 | 11      | PHG B115 |
|         |              | 980           | 940         | 37.00 | 17           | 11       | PHG B37       | 2 990 | 2 946       | 116.00 | 17 | 11      | PHG B116 |
|         |              | 1 000         | 965         | 38.00 | 17           | 11       | PHG B38       | 3 040 | 2 997       | 118.00 | 17 | 11      | PHG B118 |
|         |              | 1 030         | 991         | 39.00 | 17           | 11       | PHG B39       | 3 090 | 3 048       | 120.00 | 17 | 11      | PHG B120 |
|         |              | 1 060         | 1 016       | 40.00 | 17           | 11       | PHG B40       | 3 140 | 3 099       | 122.00 | 17 | 11      | PHG B122 |
|         |              | 1 080         | 1 041       | 41.00 | 17           | 11       | PHG B41       | 3 200 | 3 150       | 124.00 | 17 | 11      | PHG B124 |
|         |              | 1 100         | 1 067       | 42.00 | 17           | 11       | PHG B42       | 3 240 | 3 200       | 126.00 | 17 | 11      | PHG B126 |

Non-standard lengths are also available.



| Section | Dimensions   |        | Inside length |    | Designation |          |
|---------|--------------|--------|---------------|----|-------------|----------|
|         | Pitch length |        | w             | h  |             |          |
| -       | mm           | in.    | mm            |    | -           |          |
| 17/B    | 3 290        | 3 251  | 128.00        | 17 | 11          | PHG B128 |
|         | 3 350        | 3 302  | 130.00        | 17 | 11          | PHG B130 |
|         | 3 400        | 3 353  | 132.00        | 17 | 11          | PHG B132 |
|         | 3 450        | 3 404  | 134.00        | 17 | 11          | PHG B134 |
|         | 3 500        | 3 454  | 136.00        | 17 | 11          | PHG B136 |
|         | 3 550        | 3 505  | 138.00        | 17 | 11          | PHG B138 |
|         | 3 600        | 3 556  | 140.00        | 17 | 11          | PHG B140 |
|         | 3 650        | 3 607  | 142.00        | 17 | 11          | PHG B142 |
|         | 3 700        | 3 658  | 144.00        | 17 | 11          | PHG B144 |
|         | 3 750        | 3 708  | 146.00        | 17 | 11          | PHG B146 |
|         | 3 800        | 3 759  | 148.00        | 17 | 11          | PHG B148 |
|         | 3 850        | 3 810  | 150.00        | 17 | 11          | PHG B150 |
|         | 3 870        | 3 835  | 151.00        | 17 | 11          | PHG B151 |
|         | 3 900        | 3 861  | 152.00        | 17 | 11          | PHG B152 |
|         | 3 950        | 3 912  | 154.00        | 17 | 11          | PHG B154 |
|         | 4 010        | 3 962  | 156.00        | 17 | 11          | PHG B156 |
|         | 4 060        | 4 013  | 158.00        | 17 | 11          | PHG B158 |
|         | 4 110        | 4 064  | 160.00        | 17 | 11          | PHG B160 |
|         | 4 160        | 4 115  | 162.00        | 17 | 11          | PHG B162 |
|         | 4 200        | 4 166  | 164.00        | 17 | 11          | PHG B164 |
|         | 4 230        | 4 191  | 165.00        | 17 | 11          | PHG B165 |
|         | 4 280        | 4 242  | 167.00        | 17 | 11          | PHG B167 |
|         | 4 360        | 4 318  | 170.00        | 17 | 11          | PHG B170 |
|         | 4 430        | 4 394  | 173.00        | 17 | 11          | PHG B173 |
|         | 4 490        | 4 445  | 175.00        | 17 | 11          | PHG B175 |
|         | 4 540        | 4 496  | 177.00        | 17 | 11          | PHG B177 |
|         | 4 610        | 4 572  | 180.00        | 17 | 11          | PHG B180 |
|         | 4 740        | 4 699  | 185.00        | 17 | 11          | PHG B185 |
|         | 4 800        | 4 750  | 187.00        | 17 | 11          | PHG B187 |
|         | 5 000        | 4 953  | 195.00        | 17 | 11          | PHG B195 |
| 5 044   | 5 004        | 197.00 | 17            | 11 | PHG B197    |          |
| 5 220   | 5 182        | 204.00 | 17            | 11 | PHG B204    |          |
| 5 340   | 5 283        | 208.00 | 17            | 11 | PHG B208    |          |
| 5 370   | 5 334        | 210.00 | 17            | 11 | PHG B210    |          |
| 5 630   | 5 588        | 220.00 | 17            | 11 | PHG B220    |          |
| 5 760   | 5 715        | 225.00 | 17            | 11 | PHG B225    |          |
| 6 040   | 5 994        | 236.00 | 17            | 11 | PHG B236    |          |
| 6 140   | 6 096        | 240.00 | 17            | 11 | PHG B240    |          |
| 6 340   | 6 299        | 248.00 | 17            | 11 | PHG B248    |          |
| 6 750   | 6 706        | 264.00 | 17            | 11 | PHG B264    |          |
| 6 900   | 6 858        | 270.00 | 17            | 11 | PHG B270    |          |
| 7 025   | 6 985        | 275.00 | 17            | 11 | PHG B275    |          |
| 7 050   | 7 010        | 276.00 | 17            | 11 | PHG B276    |          |
| 7 150   | 7 112        | 280.00 | 17            | 11 | PHG B280    |          |
| 7 660   | 7 620        | 300.00 | 17            | 11 | PHG B300    |          |
| 8 040   | 8 001        | 315.00 | 17            | 11 | PHG B315    |          |
| 22/C    | 1 126        | 1 067  | 42.00         | 22 | 14          | PHG C42  |
|         | 1 150        | 1 092  | 43.00         | 22 | 14          | PHG C43  |
|         | 1 250        | 1 194  | 47.00         | 22 | 14          | PHG C47  |
|         | 1 280        | 1 219  | 48.00         | 22 | 14          | PHG C48  |
|         | 1 300        | 1 245  | 49.00         | 22 | 14          | PHG C49  |
|         | 1 325        | 1 270  | 50.00         | 22 | 14          | PHG C50  |
|         | 1 350        | 1 295  | 51.00         | 22 | 14          | PHG C51  |
|         | 1 370        | 1 321  | 52.00         | 22 | 14          | PHG C52  |

| Section | Dimensions   |        | Inside length |    | Designation |         |
|---------|--------------|--------|---------------|----|-------------|---------|
|         | Pitch length |        | w             | h  |             |         |
| -       | mm           | in.    | mm            |    | -           |         |
| 22/C    | 1 400        | 1 346  | 53.00         | 22 | 14          | PHG C53 |
|         | 1 430        | 1 372  | 54.00         | 22 | 14          | PHG C54 |
|         | 1 450        | 1 397  | 55.00         | 22 | 14          | PHG C55 |
|         | 1 480        | 1 422  | 56.00         | 22 | 14          | PHG C56 |
|         | 1 500        | 1 448  | 57.00         | 22 | 14          | PHG C57 |
|         | 1 530        | 1 473  | 58.00         | 22 | 14          | PHG C58 |
|         | 1 560        | 1 499  | 59.00         | 22 | 14          | PHG C59 |
|         | 1 580        | 1 524  | 60.00         | 22 | 14          | PHG C60 |
|         | 1 610        | 1 549  | 61.00         | 22 | 14          | PHG C61 |
|         | 1 630        | 1 575  | 62.00         | 22 | 14          | PHG C62 |
|         | 1 650        | 1 600  | 63.00         | 22 | 14          | PHG C63 |
|         | 1 700        | 1 651  | 65.00         | 22 | 14          | PHG C65 |
|         | 1 730        | 1 676  | 66.00         | 22 | 14          | PHG C66 |
|         | 1 760        | 1 702  | 67.00         | 22 | 14          | PHG C67 |
|         | 1 780        | 1 727  | 68.00         | 22 | 14          | PHG C68 |
|         | 1 810        | 1 753  | 69.00         | 22 | 14          | PHG C69 |
|         | 1 830        | 1 778  | 70.00         | 22 | 14          | PHG C70 |
|         | 1 860        | 1 803  | 71.00         | 22 | 14          | PHG C71 |
|         | 1 880        | 1 829  | 72.00         | 22 | 14          | PHG C72 |
|         | 1 910        | 1 854  | 73.00         | 22 | 14          | PHG C73 |
|         | 1 930        | 1 880  | 74.00         | 22 | 14          | PHG C74 |
|         | 1 950        | 1 905  | 75.00         | 22 | 14          | PHG C75 |
|         | 1 990        | 1 930  | 76.00         | 22 | 14          | PHG C76 |
|         | 2 010        | 1 956  | 77.00         | 22 | 14          | PHG C77 |
|         | 2 040        | 1 981  | 78.00         | 22 | 14          | PHG C78 |
|         | 2 060        | 2 007  | 79.00         | 22 | 14          | PHG C79 |
|         | 2 090        | 2 032  | 80.00         | 22 | 14          | PHG C80 |
|         | 2 110        | 2 057  | 81.00         | 22 | 14          | PHG C81 |
|         | 2 140        | 2 083  | 82.00         | 22 | 14          | PHG C82 |
|         | 2 160        | 2 108  | 83.00         | 22 | 14          | PHG C83 |
| 2 190   | 2 134        | 84.00  | 22            | 14 | PHG C84     |         |
| 2 220   | 2 159        | 85.00  | 22            | 14 | PHG C85     |         |
| 2 240   | 2 184        | 86.00  | 22            | 14 | PHG C86     |         |
| 2 270   | 2 210        | 87.00  | 22            | 14 | PHG C87     |         |
| 2 290   | 2 235        | 88.00  | 22            | 14 | PHG C88     |         |
| 2 320   | 2 261        | 89.00  | 22            | 14 | PHG C89     |         |
| 2 340   | 2 286        | 90.00  | 22            | 14 | PHG C90     |         |
| 2 390   | 2 337        | 92.00  | 22            | 14 | PHG C92     |         |
| 2 420   | 2 362        | 93.00  | 22            | 14 | PHG C93     |         |
| 2 440   | 2 388        | 94.00  | 22            | 14 | PHG C94     |         |
| 2 470   | 2 413        | 95.00  | 22            | 14 | PHG C95     |         |
| 2 490   | 2 438        | 96.00  | 22            | 14 | PHG C96     |         |
| 2 520   | 2 464        | 97.00  | 22            | 14 | PHG C97     |         |
| 2 550   | 2 489        | 98.00  | 22            | 14 | PHG C98     |         |
| 2 570   | 2 515        | 99.00  | 22            | 14 | PHG C99     |         |
| 2 600   | 2 540        | 100.00 | 22            | 14 | PHG C100    |         |
| 2 620   | 2 565        | 101.00 | 22            | 14 | PHG C101    |         |
| 2 650   | 2 591        | 102.00 | 22            | 14 | PHG C102    |         |
| 2 700   | 2 642        | 104.00 | 22            | 14 | PHG C104    |         |
| 2 720   | 2 667        | 105.00 | 22            | 14 | PHG C105    |         |
| 2 740   | 2 692        | 106.00 | 22            | 14 | PHG C106    |         |
| 2 800   | 2 743        | 108.00 | 22            | 14 | PHG C108    |         |
| 2 850   | 2 794        | 110.00 | 22            | 14 | PHG C110    |         |
| 2 900   | 2 845        | 112.00 | 22            | 14 | PHG C112    |         |
| 2 950   | 2 896        | 114.00 | 22            | 14 | PHG C114    |         |

Non-standard lengths are also available.



# SKF Wrapped Classical Belts

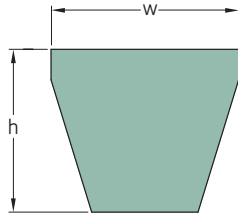
22/C | 32/D | 38/E

| Section | Dimensions   |        | Inside length |    |          | Designation | Section | Dimensions   |        | Inside length |        |          | Designation |          |
|---------|--------------|--------|---------------|----|----------|-------------|---------|--------------|--------|---------------|--------|----------|-------------|----------|
|         | Pitch length |        | w             | h  |          |             |         | Pitch length |        | w             | h      |          |             |          |
| –       | mm           | in.    | mm            | –  | –        | –           | mm      | in.          | mm     | –             | –      | –        |             |          |
| 22/C    | 2 980        | 2 921  | 115.00        | 22 | 14       | PHG C115    | 32/D    | 5 030        | 4 953  | 195.00        | 32     | 20       | PHG D195    |          |
|         | 3 000        | 2 946  | 116.00        | 22 | 14       | PHG C116    |         | 5 080        | 5 004  | 197.00        | 32     | 20       | PHG D197    |          |
|         | 3 050        | 2 997  | 118.00        | 22 | 14       | PHG C118    |         | 5 360        | 5 283  | 208.00        | 32     | 20       | PHG D208    |          |
|         | 3 100        | 3 048  | 120.00        | 22 | 14       | PHG C120    |         | 5 400        | 5 334  | 210.00        | 32     | 20       | PHG D210    |          |
|         | 3 160        | 3 099  | 122.00        | 22 | 14       | PHG C122    |         | 5 670        | 5 588  | 220.00        | 32     | 20       | PHG D220    |          |
|         | 3 210        | 3 150  | 124.00        | 22 | 14       | PHG C124    |         | 5 790        | 5 715  | 225.00        | 32     | 20       | PHG D225    |          |
|         | 3 270        | 3 200  | 126.00        | 22 | 14       | PHG C126    |         | 6 070        | 5 994  | 236.00        | 32     | 20       | PHG D236    |          |
|         | 3 310        | 3 251  | 128.00        | 22 | 14       | PHG C128    |         | 6 170        | 6 096  | 240.00        | 32     | 20       | PHG D240    |          |
|         | 3 360        | 3 302  | 130.00        | 22 | 14       | PHG C130    |         | 6 380        | 6 299  | 248.00        | 32     | 20       | PHG D248    |          |
|         | 3 410        | 3 353  | 132.00        | 22 | 14       | PHG C132    |         | 6 425        | 6 350  | 250.00        | 32     | 20       | PHG D250    |          |
|         | 3 460        | 3 404  | 134.00        | 22 | 14       | PHG C134    |         | 6 560        | 6 477  | 255.00        | 32     | 20       | PHG D255    |          |
|         | 3 520        | 3 454  | 136.00        | 22 | 14       | PHG C136    |         | 6 780        | 6 706  | 264.00        | 32     | 20       | PHG D264    |          |
|         | 3 560        | 3 505  | 138.00        | 22 | 14       | PHG C138    |         | 6 910        | 6 833  | 269.00        | 32     | 20       | PHG D269    |          |
|         | 3 610        | 3 556  | 140.00        | 22 | 14       | PHG C140    |         | 6 940        | 6 858  | 270.00        | 32     | 20       | PHG D270    |          |
|         | 3 660        | 3 607  | 142.00        | 22 | 14       | PHG C142    |         | 7 190        | 7 112  | 280.00        | 32     | 20       | PHG D280    |          |
|         | 3 710        | 3 658  | 144.00        | 22 | 14       | PHG C144    |         | 7 320        | 7 239  | 285.00        | 32     | 20       | PHG D285    |          |
|         | 3 760        | 3 708  | 146.00        | 22 | 14       | PHG C146    |         | 7 650        | 7 569  | 298.00        | 32     | 20       | PHG D298    |          |
|         | 3 820        | 3 759  | 148.00        | 22 | 14       | PHG C148    |         | 7 700        | 7 620  | 300.00        | 32     | 20       | PHG D300    |          |
|         | 3 870        | 3 810  | 150.00        | 22 | 14       | PHG C150    |         | 8 080        | 8 001  | 315.00        | 32     | 20       | PHG D315    |          |
|         | 3 920        | 3 861  | 152.00        | 22 | 14       | PHG C152    |         | 8 410        | 8 331  | 328.00        | 32     | 20       | PHG D328    |          |
|         | 4 060        | 4 013  | 158.00        | 22 | 14       | PHG C158    |         | 8 460        | 8 382  | 330.00        | 32     | 20       | PHG D330    |          |
|         | 4 170        | 4 115  | 162.00        | 22 | 14       | PHG C162    |         | 9 070        | 8 992  | 354.00        | 32     | 20       | PHG D354    |          |
|         | 4 280        | 4 216  | 166.00        | 22 | 14       | PHG C166    |         | 9 220        | 9 144  | 360.00        | 32     | 20       | PHG D360    |          |
|         | 4 300        | 4 242  | 167.00        | 22 | 14       | PHG C167    |         | 9 580        | 9 500  | 374.00        | 32     | 20       | PHG D374    |          |
|         | 4 320        | 4 267  | 168.00        | 22 | 14       | PHG C168    |         | 9 980        | 9 906  | 390.00        | 32     | 20       | PHG D390    |          |
|         | 4 450        | 4 394  | 173.00        | 22 | 14       | PHG C173    |         | 10 085       | 10 008 | 394.00        | 32     | 20       | PHG D394    |          |
|         | 4 500        | 4 445  | 175.00        | 22 | 14       | PHG C175    |         | 10 700       | 10 617 | 418.00        | 32     | 20       | PHG D418    |          |
|         | 4 560        | 4 496  | 177.00        | 22 | 14       | PHG C177    |         | 12 190       | 12 116 | 477.00        | 32     | 20       | PHG D477    |          |
|         | 4 630        | 4 572  | 180.00        | 22 | 14       | PHG C180    |         | 38/E         | 3 076  | 2 997         | 118.00 | 38       | 23          | PHG E118 |
|         | 4 810        | 4 750  | 187.00        | 22 | 14       | PHG C187    |         |              | 4 091  | 4 013         | 158.00 | 38       | 23          | PHG E158 |
|         | 4 880        | 4 826  | 190.00        | 22 | 14       | PHG C190    |         |              | 4 979  | 4 902         | 193.00 | 38       | 23          | PHG E193 |
|         | 5 010        | 4 953  | 195.00        | 22 | 14       | PHG C195    |         |              | 5 030  | 4 953         | 195.00 | 38       | 23          | PHG E195 |
|         | 5 060        | 5 004  | 197.00        | 22 | 14       | PHG C197    |         |              | 5 081  | 5 004         | 197.00 | 38       | 23          | PHG E197 |
|         | 5 240        | 5 182  | 204.00        | 22 | 14       | PHG C204    |         |              | 5 537  | 5 461         | 215.00 | 38       | 23          | PHG E215 |
|         | 5 340        | 5 283  | 208.00        | 22 | 14       | PHG C208    |         |              | 5 664  | 5 588         | 220.00 | 38       | 23          | PHG E220 |
|         | 5 380        | 5 334  | 210.00        | 22 | 14       | PHG C210    |         |              | 6 070  | 5 994         | 236.00 | 38       | 23          | PHG E236 |
|         | 5 640        | 5 588  | 220.00        | 22 | 14       | PHG C220    |         |              | 6 121  | 6 045         | 238.00 | 38       | 23          | PHG E238 |
|         | 5 770        | 5 715  | 225.00        | 22 | 14       | PHG C225    |         |              | 6 172  | 6 096         | 240.00 | 38       | 23          | PHG E240 |
|         | 6 050        | 5 994  | 236.00        | 22 | 14       | PHG C236    |         |              | 6 375  | 6 299         | 248.00 | 38       | 23          | PHG E248 |
|         | 6 100        | 6 045  | 238.00        | 22 | 14       | PHG C238    |         |              | 6 654  | 6 579         | 259.00 | 38       | 23          | PHG E259 |
| 6 150   | 6 096        | 240.00 | 22            | 14 | PHG C240 | 6 806       | 6 731   |              | 265.00 | 38            | 23     | PHG E265 |             |          |
| 6 360   | 6 299        | 248.00 | 22            | 14 | PHG C248 | 6 933       | 6 858   |              | 270.00 | 38            | 23     | PHG E270 |             |          |
| 6 535   | 6 477        | 255.00 | 22            | 14 | PHG C255 | 7 187       | 7 112   |              | 280.00 | 38            | 23     | PHG E280 |             |          |
| 6 760   | 6 706        | 264.00 | 22            | 14 | PHG C264 | 7 567       | 7 493   |              | 295.00 | 38            | 23     | PHG E295 |             |          |
| 6 910   | 6 858        | 270.00 | 22            | 14 | PHG C270 | 7 643       | 7 569   |              | 298.00 | 38            | 23     | PHG E298 |             |          |
| 7 170   | 7 112        | 280.00 | 22            | 14 | PHG C280 | 7 694       | 7 620   |              | 300.00 | 38            | 23     | PHG E300 |             |          |
| 7 550   | 7 493        | 295.00 | 22            | 14 | PHG C295 | 8 075       | 8 001   |              | 315.00 | 38            | 23     | PHG E315 |             |          |
| 7 680   | 7 620        | 300.00 | 22            | 14 | PHG C300 | 8 405       | 8 331   |              | 328.00 | 38            | 23     | PHG E328 |             |          |
| 8 060   | 8 001        | 315.00 | 22            | 14 | PHG C315 | 8 430       | 8 357   |              | 329.00 | 38            | 23     | PHG E329 |             |          |
| 8 390   | 8 331        | 328.00 | 22            | 14 | PHG C328 | 8 455       | 8 382   |              | 330.00 | 38            | 23     | PHG E330 |             |          |
| 8 440   | 8 382        | 330.00 | 22            | 14 | PHG C330 | 8 709       | 8 636   |              | 340.00 | 38            | 23     | PHG E340 |             |          |
| 9 200   | 9 144        | 360.00 | 22            | 14 | PHG C360 | 9 065       | 8 992   |              | 354.00 | 38            | 23     | PHG E354 |             |          |
| 9 970   | 9 906        | 390.00 | 22            | 14 | PHG C390 | 9 166       | 9 093   |              | 358.00 | 38            | 23     | PHG E358 |             |          |
| 10 670  | 10 617       | 418.00 | 22            | 14 | PHG C418 | 9 217       | 9 144   |              | 360.00 | 38            | 23     | PHG E360 |             |          |
| 32/D    | 2 560        | 2 489  | 98.00         | 32 | 20       | PHG D98     | 10 080  |              | 10 008 | 394.00        | 38     | 23       | PHG E394    |          |
|         | 2 720        | 2 642  | 104.00        | 32 | 20       | PHG D104    | 10 689  |              | 10 617 | 418.00        | 38     | 23       | PHG E418    |          |
|         | 2 740        | 2 667  | 105.00        | 32 | 20       | PHG D105    | 10 739  |              | 10 668 | 420.00        | 38     | 23       | PHG E420    |          |
|         | 2 870        | 2 794  | 110.00        | 32 | 20       | PHG D110    | 11 247  |              | 11 176 | 440.00        | 38     | 23       | PHG E440    |          |
|         | 3 080        | 2 997  | 118.00        | 32 | 20       | PHG D118    | 11 272  |              | 11 201 | 441.00        | 38     | 23       | PHG E441    |          |
|         | 3 130        | 3 048  | 120.00        | 32 | 20       | PHG D120    | 11 983  |              | 11 913 | 469.00        | 38     | 23       | PHG E469    |          |
|         | 3 225        | 3 150  | 124.00        | 32 | 20       | PHG D124    | 12 262  |              | 12 192 | 480.00        | 38     | 23       | PHG E480    |          |
|         | 3 330        | 3 251  | 128.00        | 32 | 20       | PHG D128    | 12 566  |              | 12 497 | 492.00        | 38     | 23       | PHG E492    |          |
|         | 3 430        | 3 353  | 132.00        | 32 | 20       | PHG D132    | 13 784  |              | 13 716 | 540.00        | 38     | 23       | PHG E540    |          |
|         | 3 530        | 3 454  | 136.00        | 32 | 20       | PHG D136    |         |              |        |               |        |          |             |          |
|         | 3 555        | 3 480  | 137.00        | 32 | 20       | PHG D137    |         |              |        |               |        |          |             |          |
|         | 3 640        | 3 556  | 140.00        | 32 | 20       | PHG D140    |         |              |        |               |        |          |             |          |
|         | 3 730        | 3 658  | 144.00        | 32 | 20       | PHG D144    |         |              |        |               |        |          |             |          |
|         | 3 830        | 3 759  | 148.00        | 32 | 20       | PHG D148    |         |              |        |               |        |          |             |          |
|         | 4 080        | 4 013  | 158.00        | 32 | 20       | PHG D158    |         |              |        |               |        |          |             |          |
|         | 4 190        | 4 115  | 162.00        | 32 | 20       | PHG D162    |         |              |        |               |        |          |             |          |
|         | 4 320        | 4 242  | 167.00        | 32 | 20       | PHG D167    |         |              |        |               |        |          |             |          |
|         | 4 395        | 4 318  | 170.00        | 32 | 20       | PHG D170    |         |              |        |               |        |          |             |          |
|         | 4 470        | 4 394  | 173.00        | 32 | 20       | PHG D173    |         |              |        |               |        |          |             |          |
|         | 4 580        | 4 496  | 177.00        | 32 | 20       | PHG D177    |         |              |        |               |        |          |             |          |
| 4 650   | 4 572        | 180.00 | 32            | 20 | PHG D180 |             |         |              |        |               |        |          |             |          |
| 4 830   | 4 750        | 187.00 | 32            | 20 | PHG D187 |             |         |              |        |               |        |          |             |          |

Non-standard lengths are also available.

# SKF Wrapped Narrow Wedge Belts

3V/9N | 5V/15N | 8V/25N



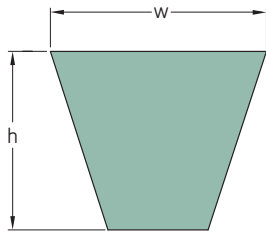
| Section | Dimensions     |       | Designation |            |            |
|---------|----------------|-------|-------------|------------|------------|
|         | Outside length |       | w           | h          |            |
| –       | mm             | in.   | mm          | –          |            |
| 3V/9N   | 635            | 25.0  | 9           | 8          | PHG 3V250  |
|         | 673            | 26.5  | 9           | 8          | PHG 3V265  |
|         | 711            | 28.0  | 9           | 8          | PHG 3V280  |
|         | 762            | 30.0  | 9           | 8          | PHG 3V300  |
|         | 800            | 31.5  | 9           | 8          | PHG 3V315  |
|         | 851            | 33.5  | 9           | 8          | PHG 3V335  |
|         | 902            | 35.5  | 9           | 8          | PHG 3V355  |
|         | 953            | 37.5  | 9           | 8          | PHG 3V375  |
|         | 1 016          | 40.0  | 9           | 8          | PHG 3V400  |
|         | 1 080          | 42.5  | 9           | 8          | PHG 3V425  |
|         | 1 143          | 45.0  | 9           | 8          | PHG 3V450  |
|         | 1 207          | 47.5  | 9           | 8          | PHG 3V475  |
|         | 1 270          | 50.0  | 9           | 8          | PHG 3V500  |
|         | 1 346          | 53.0  | 9           | 8          | PHG 3V530  |
|         | 1 422          | 56.0  | 9           | 8          | PHG 3V560  |
|         | 1 524          | 60.0  | 9           | 8          | PHG 3V600  |
|         | 1 600          | 63.0  | 9           | 8          | PHG 3V630  |
|         | 1 702          | 67.0  | 9           | 8          | PHG 3V670  |
|         | 1 803          | 71.0  | 9           | 8          | PHG 3V710  |
|         | 1 905          | 75.0  | 9           | 8          | PHG 3V750  |
|         | 2 032          | 80.0  | 9           | 8          | PHG 3V800  |
|         | 2 159          | 85.0  | 9           | 8          | PHG 3V850  |
|         | 2 286          | 90.0  | 9           | 8          | PHG 3V900  |
|         | 2 413          | 95.0  | 9           | 8          | PHG 3V950  |
|         | 2 540          | 100.0 | 9           | 8          | PHG 3V1000 |
|         | 2 692          | 106.0 | 9           | 8          | PHG 3V1060 |
|         | 2 845          | 112.0 | 9           | 8          | PHG 3V1120 |
|         | 2 997          | 118.0 | 9           | 8          | PHG 3V1180 |
|         | 3 175          | 125.0 | 9           | 8          | PHG 3V1250 |
|         | 3 353          | 132.0 | 9           | 8          | PHG 3V1320 |
| 3 556   | 140.0          | 9     | 8           | PHG 3V1400 |            |
| 5V/15N  | 1 346          | 53.0  | 15          | 13         | PHG 5V530  |
|         | 1 422          | 56.0  | 15          | 13         | PHG 5V560  |
|         | 1 524          | 60.0  | 15          | 13         | PHG 5V600  |
|         | 1 600          | 63.0  | 15          | 13         | PHG 5V630  |
|         | 1 702          | 67.0  | 15          | 13         | PHG 5V670  |
|         | 1 803          | 71.0  | 15          | 13         | PHG 5V710  |
|         | 1 905          | 75.0  | 15          | 13         | PHG 5V750  |
|         | 2 032          | 80.0  | 15          | 13         | PHG 5V800  |
|         | 2 159          | 85.0  | 15          | 13         | PHG 5V850  |
|         | 2 286          | 90.0  | 15          | 13         | PHG 5V900  |
|         | 2 413          | 95.0  | 15          | 13         | PHG 5V950  |
|         | 2 540          | 100.0 | 15          | 13         | PHG 5V1000 |
|         | 2 692          | 106.0 | 15          | 13         | PHG 5V1060 |
|         | 2 845          | 112.0 | 15          | 13         | PHG 5V1120 |
|         | 2 997          | 118.0 | 15          | 13         | PHG 5V1180 |
|         | 3 175          | 125.0 | 15          | 13         | PHG 5V1250 |
|         | 3 353          | 132.0 | 15          | 13         | PHG 5V1320 |
|         | 3 556          | 140.0 | 15          | 13         | PHG 5V1400 |
|         | 3 810          | 150.0 | 15          | 13         | PHG 5V1500 |
|         | 4 064          | 160.0 | 15          | 13         | PHG 5V1600 |
|         | 4 318          | 170.0 | 15          | 13         | PHG 5V1700 |
|         | 4 572          | 180.0 | 15          | 13         | PHG 5V1800 |
|         | 4 826          | 190.0 | 15          | 13         | PHG 5V1900 |

| Section | Dimensions     |       | Designation |            |            |
|---------|----------------|-------|-------------|------------|------------|
|         | Outside length |       | w           | h          |            |
| –       | mm             | in.   | mm          | –          |            |
| 5V/15N  | 5 080          | 200.0 | 15          | 13         | PHG 5V2000 |
|         | 5 385          | 212.0 | 15          | 13         | PHG 5V2120 |
|         | 5 690          | 224.0 | 15          | 13         | PHG 5V2240 |
|         | 5 994          | 236.0 | 15          | 13         | PHG 5V2360 |
|         | 6 350          | 250.0 | 15          | 13         | PHG 5V2500 |
|         | 6 731          | 265.0 | 15          | 13         | PHG 5V2650 |
|         | 7 112          | 280.0 | 15          | 13         | PHG 5V2800 |
|         | 7 620          | 300.0 | 15          | 13         | PHG 5V3000 |
|         | 8 001          | 315.0 | 15          | 13         | PHG 5V3150 |
|         | 8 509          | 335.0 | 15          | 13         | PHG 5V3350 |
| 8V/25N  | 9 017          | 355.0 | 15          | 13         | PHG 5V3550 |
|         | 2 540          | 100.0 | 25          | 23         | PHG 8V1000 |
|         | 2 692          | 106.0 | 25          | 23         | PHG 8V1060 |
|         | 2 845          | 112.0 | 25          | 23         | PHG 8V1120 |
|         | 2 997          | 118.0 | 25          | 23         | PHG 8V1180 |
|         | 3 175          | 125.0 | 25          | 23         | PHG 8V1250 |
|         | 3 353          | 132.0 | 25          | 23         | PHG 8V1320 |
|         | 3 556          | 140.0 | 25          | 23         | PHG 8V1400 |
|         | 3 810          | 150.0 | 25          | 23         | PHG 8V1500 |
|         | 4 064          | 160.0 | 25          | 23         | PHG 8V1600 |
|         | 4 318          | 170.0 | 25          | 23         | PHG 8V1700 |
|         | 4 572          | 180.0 | 25          | 23         | PHG 8V1800 |
|         | 4 826          | 190.0 | 25          | 23         | PHG 8V1900 |
|         | 5 080          | 200.0 | 25          | 23         | PHG 8V2000 |
|         | 5 385          | 212.0 | 25          | 23         | PHG 8V2120 |
|         | 5 690          | 224.0 | 25          | 23         | PHG 8V2240 |
|         | 5 994          | 236.0 | 25          | 23         | PHG 8V2360 |
|         | 6 350          | 250.0 | 25          | 23         | PHG 8V2500 |
|         | 6 731          | 265.0 | 25          | 23         | PHG 8V2650 |
|         | 7 112          | 280.0 | 25          | 23         | PHG 8V2800 |
| 7 620   | 300.0          | 25    | 23          | PHG 8V3000 |            |
| 8 001   | 315.0          | 25    | 23          | PHG 8V3150 |            |
| 8 509   | 335.0          | 25    | 23          | PHG 8V3350 |            |
| 9 017   | 355.0          | 25    | 23          | PHG 8V3550 |            |
| 9 525   | 375.0          | 25    | 23          | PHG 8V3750 |            |
| 10 160  | 400.0          | 25    | 23          | PHG 8V4000 |            |
| 10 795  | 425.0          | 25    | 23          | PHG 8V4250 |            |
| 11 430  | 450.0          | 25    | 23          | PHG 8V4500 |            |
| 12 065  | 475.0          | 25    | 23          | PHG 8V4750 |            |
| 12 700  | 500.0          | 25    | 23          | PHG 8V5000 |            |

Non-standard lengths are also available.

# SKF Cogged Raw Edge Wedge Belts

XPZ | XPA | XPB

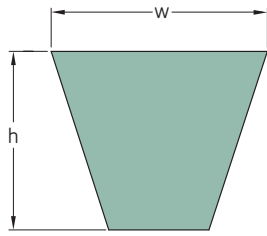


| Section | Dimensions   |     |             | Designation | Section     | Dimensions   |             |       | Designation | Section     | Dimensions   |             |             | Designation |             |             |             |             |             |
|---------|--------------|-----|-------------|-------------|-------------|--------------|-------------|-------|-------------|-------------|--------------|-------------|-------------|-------------|-------------|-------------|-------------|-------------|-------------|
|         | Pitch length | w   | h           |             |             | Pitch length | w           | h     |             |             | Pitch length | w           | h           |             |             |             |             |             |             |
| -       | mm           |     |             | -           | mm          |              |             | -     | mm          |             |              | -           |             |             |             |             |             |             |             |
| XPZ     | 630          | 9,7 | 8           | PHG XPZ630  | XPZ         | 1 412        | 9,7         | 8     | PHG XPZ1412 | XPA         | 1 282        | 12,7        | 10          | PHG XPA1282 |             |             |             |             |             |
|         | 637          | 9,7 | 8           | PHG XPZ637  |             | 1 420        | 9,7         | 8     | PHG XPZ1420 |             | 1 307        | 12,7        | 10          | PHG XPA1307 |             |             |             |             |             |
|         | 662          | 9,7 | 8           | PHG XPZ662  |             | 1 487        | 9,7         | 8     | PHG XPZ1487 |             | 1 320        | 12,7        | 10          | PHG XPA1320 |             |             |             |             |             |
|         | 670          | 9,7 | 8           | PHG XPZ670  |             | 1 500        | 9,7         | 8     | PHG XPZ1500 |             | 1 332        | 12,7        | 10          | PHG XPA1332 |             |             |             |             |             |
|         | 687          | 9,7 | 8           | PHG XPZ687  |             | 1 512        | 9,7         | 8     | PHG XPZ1512 |             | 1 357        | 12,7        | 10          | PHG XPA1357 |             |             |             |             |             |
|         | 710          | 9,7 | 8           | PHG XPZ710  |             | 1 520        | 9,7         | 8     | PHG XPZ1520 |             | 1 400        | 12,7        | 10          | PHG XPA1400 |             |             |             |             |             |
|         | 737          | 9,7 | 8           | PHG XPZ737  |             | 1 537        | 9,7         | 8     | PHG XPZ1537 |             | 1 482        | 12,7        | 10          | PHG XPA1482 |             |             |             |             |             |
|         | 750          | 9,7 | 8           | PHG XPZ750  |             | 1 587        | 9,7         | 8     | PHG XPZ1587 |             | 1 500        | 12,7        | 10          | PHG XPA1500 |             |             |             |             |             |
|         | 760          | 9,7 | 8           | PHG XPZ760  |             | 1 600        | 9,7         | 8     | PHG XPZ1600 |             | 1 507        | 12,7        | 10          | PHG XPA1507 |             |             |             |             |             |
|         | 762          | 9,7 | 8           | PHG XPZ762  |             | 1 700        | 9,7         | 8     | PHG XPZ1700 |             | 1 532        | 12,7        | 10          | PHG XPA1532 |             |             |             |             |             |
|         | 772          | 9,7 | 8           | PHG XPZ772  |             | 1 800        | 9,7         | 8     | PHG XPZ1800 |             | 1 582        | 12,7        | 10          | PHG XPA1582 |             |             |             |             |             |
|         | 787          | 9,7 | 8           | PHG XPZ787  |             | 1 850        | 9,7         | 8     | PHG XPZ1850 |             | 1 600        | 12,7        | 10          | PHG XPA1600 |             |             |             |             |             |
|         | 800          | 9,7 | 8           | PHG XPZ800  |             | 1 900        | 9,7         | 8     | PHG XPZ1900 |             | 1 700        | 12,7        | 10          | PHG XPA1700 |             |             |             |             |             |
|         | 812          | 9,7 | 8           | PHG XPZ812  |             | 2 000        | 9,7         | 8     | PHG XPZ2000 |             | 1 800        | 12,7        | 10          | PHG XPA1800 |             |             |             |             |             |
|         | 837          | 9,7 | 8           | PHG XPZ837  |             | 2 030        | 9,7         | 8     | PHG XPZ2030 |             | 1 900        | 12,7        | 10          | PHG XPA1900 |             |             |             |             |             |
|         | 850          | 9,7 | 8           | PHG XPZ850  |             | 2 120        | 9,7         | 8     | PHG XPZ2120 |             | 2 000        | 12,7        | 10          | PHG XPA2000 |             |             |             |             |             |
|         | 862          | 9,7 | 8           | PHG XPZ862  |             | 2 240        | 9,7         | 8     | PHG XPZ2240 |             | 2 120        | 12,7        | 10          | PHG XPA2120 |             |             |             |             |             |
|         | 875          | 9,7 | 8           | PHG XPZ875  |             | 2 280        | 9,7         | 8     | PHG XPZ2280 |             | 2 240        | 12,7        | 10          | PHG XPA2240 |             |             |             |             |             |
|         | 887          | 9,7 | 8           | PHG XPZ887  |             | 2 360        | 9,7         | 8     | PHG XPZ2360 |             | 2 360        | 12,7        | 10          | PHG XPA2360 |             |             |             |             |             |
|         | 900          | 9,7 | 8           | PHG XPZ900  |             | 2 410        | 9,7         | 8     | PHG XPZ2410 |             | 2 500        | 12,7        | 10          | PHG XPA2500 |             |             |             |             |             |
| 912     | 9,7          | 8   | PHG XPZ912  | 2 500       | 9,7         | 8            | PHG XPZ2500 | 2 650 | 12,7        | 10          | PHG XPA2650  |             |             |             |             |             |             |             |             |
| 925     | 9,7          | 8   | PHG XPZ925  | 2 540       | 9,7         | 8            | PHG XPZ2540 | 2 800 | 12,7        | 10          | PHG XPA2800  |             |             |             |             |             |             |             |             |
| 937     | 9,7          | 8   | PHG XPZ937  | 2 650       | 9,7         | 8            | PHG XPZ2650 | 3 000 | 12,7        | 10          | PHG XPA3000  |             |             |             |             |             |             |             |             |
| 950     | 9,7          | 8   | PHG XPZ950  | 2 800       | 9,7         | 8            | PHG XPZ2800 | 3 150 | 12,7        | 10          | PHG XPA3150  |             |             |             |             |             |             |             |             |
| 962     | 9,7          | 8   | PHG XPZ962  | 3 000       | 9,7         | 8            | PHG XPZ3000 | 3 350 | 12,7        | 10          | PHG XPA3350  |             |             |             |             |             |             |             |             |
| 987     | 9,7          | 8   | PHG XPZ987  | 3 150       | 9,7         | 8            | PHG XPZ3150 | XPB   | 3 550       | 12,7        | 10           | PHG XPA3550 |             |             |             |             |             |             |             |
| 1 000   | 9,7          | 8   | PHG XPZ1000 | 3 350       | 9,7         | 8            | PHG XPZ3350 |       | 1 250       | 16,3        | 13           | PHG XPB1250 |             |             |             |             |             |             |             |
| 1 010   | 9,7          | 8   | PHG XPZ1010 | 3 550       | 9,7         | 8            | PHG XPZ3550 |       | 1 260       | 16,3        | 13           | PHG XPB1260 |             |             |             |             |             |             |             |
| 1 012   | 9,7          | 8   | PHG XPZ1012 | XPA         | 757         | 12,7         | 10          |       | PHG XPA757  | 1 320       | 16,3         | 13          | PHG XPB1320 |             |             |             |             |             |             |
| 1 037   | 9,7          | 8   | PHG XPZ1037 |             | 782         | 12,7         | 10          |       | PHG XPA782  | 1 340       | 16,3         | 13          | PHG XPB1340 |             |             |             |             |             |             |
| 1 060   | 9,7          | 8   | PHG XPZ1060 |             | 800         | 12,7         | 10          |       | PHG XPA800  | 1 400       | 16,3         | 13          | PHG XPB1400 |             |             |             |             |             |             |
| 1 077   | 9,7          | 8   | PHG XPZ1077 |             | 832         | 12,7         | 10          |       | PHG XPA832  | PHG XPB1410 | 1 410        | 16,3        | 13          | PHG XPB1410 |             |             |             |             |             |
| 1 080   | 9,7          | 8   | PHG XPZ1080 |             | 850         | 12,7         | 10          |       | PHG XPA850  |             | 1 500        | 16,3        | 13          | PHG XPB1500 |             |             |             |             |             |
| 1 087   | 9,7          | 8   | PHG XPZ1087 |             | PHG XPA857  | 857          | 12,7        |       | 10          |             | PHG XPA857   | 1 590       | 16,3        | 13          | PHG XPB1590 |             |             |             |             |
| 1 112   | 9,7          | 8   | PHG XPZ1112 |             |             | 882          | 12,7        |       | 10          |             | PHG XPA882   | 1 600       | 16,3        | 13          | PHG XPB1600 |             |             |             |             |
| 1 120   | 9,7          | 8   | PHG XPZ1120 |             |             | 900          | 12,7        |       | 10          |             | PHG XPA900   | 1 690       | 16,3        | 13          | PHG XPB1690 |             |             |             |             |
| 1 137   | 9,7          | 8   | PHG XPZ1137 |             |             | 907          | 12,7        |       | 10          |             | PHG XPA907   | PHG XPB1700 | 1 700       | 16,3        | 13          | PHG XPB1700 |             |             |             |
| 1 140   | 9,7          | 8   | PHG XPZ1140 |             |             | 932          | 12,7        |       | 10          |             | PHG XPA932   |             | 1 800       | 16,3        | 13          | PHG XPB1800 |             |             |             |
| 1 162   | 9,7          | 8   | PHG XPZ1162 |             |             | PHG XPA950   | 950         |       | 12,7        |             | 10           |             | PHG XPA950  | 1 900       | 16,3        | 13          | PHG XPB1900 |             |             |
| 1 180   | 9,7          | 8   | PHG XPZ1180 |             |             |              | 957         |       | 12,7        |             | 10           |             | PHG XPA957  | 2 000       | 16,3        | 13          | PHG XPB2000 |             |             |
| 1 187   | 9,7          | 8   | PHG XPZ1187 |             |             |              | 982         |       | 12,7        |             | 10           |             | PHG XPA982  | 2 020       | 16,3        | 13          | PHG XPB2020 |             |             |
| 1 200   | 9,7          | 8   | PHG XPZ1200 |             |             |              | 1 000       |       | 12,7        |             | 10           |             | PHG XPA1000 | PHG XPB2120 | 2 120       | 16,3        | 13          | PHG XPB2120 |             |
| 1 202   | 9,7          | 8   | PHG XPZ1202 |             |             |              | 1 007       |       | 12,7        |             | 10           |             | PHG XPA1007 |             | 2 150       | 16,3        | 13          | PHG XPB2150 |             |
| 1 212   | 9,7          | 8   | PHG XPZ1212 |             |             |              | PHG XPA1030 |       | 1 030       |             | 12,7         |             | 10          |             | PHG XPA1030 | 2 240       | 16,3        | 13          | PHG XPB2240 |
| 1 237   | 9,7          | 8   | PHG XPZ1237 |             |             |              |             |       | 1 060       |             | 12,7         |             | 10          |             | PHG XPA1060 | 2 280       | 16,3        | 13          | PHG XPB2280 |
| 1 250   | 9,7          | 8   | PHG XPZ1250 |             |             |              |             | 1 082 | 12,7        |             | 10           |             | PHG XPA1082 |             | 2 360       | 16,3        | 13          | PHG XPB2360 |             |
| 1 262   | 9,7          | 8   | PHG XPZ1262 |             |             |              |             | 1 107 | 12,7        |             | 10           |             | PHG XPA1107 |             | PHG XPB2500 | 2 500       | 16,3        | 13          | PHG XPB2500 |
| 1 270   | 9,7          | 8   | PHG XPZ1270 |             |             |              |             | 1 120 | 12,7        |             | 10           |             | PHG XPA1120 |             |             | 2 530       | 16,3        | 13          | PHG XPB2530 |
| 1 287   | 9,7          | 8   | PHG XPZ1287 | PHG XPA1157 |             |              |             | 1 157 | 12,7        |             | 10           |             | PHG XPA1157 |             |             | 2 650       | 16,3        | 13          | PHG XPB2650 |
| 1 312   | 9,7          | 8   | PHG XPZ1312 |             |             |              |             | 1 180 | 12,7        |             | 10           |             | PHG XPA1180 |             |             | 2 680       | 16,3        | 13          | PHG XPB2680 |
| 1 320   | 9,7          | 8   | PHG XPZ1320 |             |             |              |             | 1 207 | 12,7        |             | 10           |             | PHG XPA1207 |             |             | 2 800       | 16,3        | 13          | PHG XPB2800 |
| 1 337   | 9,7          | 8   | PHG XPZ1337 |             |             |              |             | 1 232 | 12,7        | 10          | PHG XPA1232  |             | PHG XPB3000 |             |             | 3 000       | 16,3        | 13          | PHG XPB3000 |
| 1 340   | 9,7          | 8   | PHG XPZ1340 |             |             |              |             | 1 250 | 12,7        | 10          | PHG XPA1250  |             |             |             |             | 3 150       | 16,3        | 13          | PHG XPB3150 |
| 1 362   | 9,7          | 8   | PHG XPZ1362 |             | PHG XPA1257 |              |             | 1 257 | 12,7        | 10          | PHG XPA1257  |             |             |             |             | 3 350       | 16,3        | 13          | PHG XPB3350 |
| 1 400   | 9,7          | 8   | PHG XPZ1400 |             |             |              |             |       |             |             |              |             |             |             |             |             |             |             |             |

Non-standard lengths are also available.

# SKF Cogged Raw Edge Wedge Belts

XPB | XPC



| Section | Dimensions   |      |    | Designation |
|---------|--------------|------|----|-------------|
|         | Pitch length | w    | h  |             |
| -       | mm           |      |    | -           |
| XPB     | 3 550        | 16,3 | 13 | PHG XPB3550 |
| XPC     | 2 000        | 22,0 | 18 | PHG XPC2000 |
|         | 2 120        | 22,0 | 18 | PHG XPC2120 |
|         | 2 240        | 22,0 | 18 | PHG XPC2240 |
|         | 2 360        | 22,0 | 18 | PHG XPC2360 |
|         | 2 500        | 22,0 | 18 | PHG XPC2500 |
|         | 2 650        | 22,0 | 18 | PHG XPC2650 |
|         | 2 800        | 22,0 | 18 | PHG XPC2800 |
|         | 3 000        | 22,0 | 18 | PHG XPC3000 |
|         | 3 150        | 22,0 | 18 | PHG XPC3150 |
|         | 3 350        | 22,0 | 18 | PHG XPC3350 |
|         | 3 550        | 22,0 | 18 | PHG XPC3550 |

Non-standard lengths are also available.

## Equivalent / Interchange For ISO and RMA Narrow Wedge V-Belts

| Section<br>ISO      | Dimensions<br>Pitch length |       | Designation<br>ISO | Section<br>RMA | Dimensions<br>Outside length |        | Designation<br>RMA |    |            |           |
|---------------------|----------------------------|-------|--------------------|----------------|------------------------------|--------|--------------------|----|------------|-----------|
|                     | w                          | h     |                    |                | w                            | h      |                    |    |            |           |
| –                   | mm                         | –     | –                  | –              | inch                         | mm     | –                  |    |            |           |
| SPZ                 | 630                        | 9,7   | 8                  | PHG SPZ630     | 3V/9N                        | 25.0   | 9                  | 8  | PHG 3V250  |           |
|                     | 670                        | 9,7   | 8                  | PHG SPZ670     |                              | 26.5   | 9                  | 8  | PHG 3V265  |           |
|                     | 710                        | 9,7   | 8                  | PHG SPZ710     |                              | 28.0   | 9                  | 8  | PHG 3V280  |           |
|                     | 760                        | 9,7   | 8                  | PHG SPZ760     |                              | 30.0   | 9                  | 8  | PHG 3V300  |           |
|                     | 800                        | 9,7   | 8                  | PHG SPZ800     |                              | 31.5   | 9                  | 8  | PHG 3V315  |           |
|                     | 900                        | 9,7   | 8                  | PHG SPZ900     |                              | 33.5   | 9                  | 8  | PHG 3V355  |           |
|                     | 937 <sup>1)</sup>          | 9,7   | 8                  | PHG SPZ937     |                              | 37.0   | 9                  | 8  | PHG 3V370  |           |
|                     | 1 010                      | 9,7   | 8                  | PHG SPZ1010    |                              | 40.0   | 9                  | 8  | PHG 3V400  |           |
|                     | 1 080                      | 9,7   | 8                  | PHG SPZ1080    |                              | 42.5   | 9                  | 8  | PHG 3V425  |           |
|                     | 1 137 <sup>1)</sup>        | 9,7   | 8                  | PHG SPZ1137    |                              | 45.0   | 9                  | 8  | PHG 3V450  |           |
|                     | 1 200                      | 9,7   | 8                  | PHG SPZ1200    |                              | 47.5   | 9                  | 8  | PHG 3V475  |           |
|                     | 1 270                      | 9,7   | 8                  | PHG SPZ1270    |                              | 50.0   | 9                  | 8  | PHG 3V500  |           |
|                     | 1 340                      | 9,7   | 8                  | PHG SPZ1340    |                              | 53.0   | 9                  | 8  | PHG 3V530  |           |
|                     | 1 420                      | 9,7   | 8                  | PHG SPZ1420    |                              | 56.0   | 9                  | 8  | PHG 3V560  |           |
|                     | 1 470 <sup>1)</sup>        | 9,7   | 8                  | PHG SPZ1470    |                              | 58.0   | 9                  | 8  | PHG 3V580  |           |
|                     | 1 520                      | 9,7   | 8                  | PHG SPZ1520    |                              | 60.0   | 9                  | 8  | PHG 3V600  |           |
|                     | 1 562 <sup>1)</sup>        | 9,7   | 8                  | PHG SPZ1562    |                              | 61.7   | 9                  | 8  | PHG 3V617  |           |
|                     | 1 600                      | 9,7   | 8                  | PHG SPZ1600    |                              | 63.0   | 9                  | 8  | PHG 3V630  |           |
|                     | 1 650                      | 9,7   | 8                  | PHG SPZ1650    |                              | 65.0   | 9                  | 8  | PHG 3V650  |           |
|                     | 1 700                      | 9,7   | 8                  | PHG SPZ1700    |                              | 67.0   | 9                  | 8  | PHG 3V670  |           |
|                     | 1 800                      | 9,7   | 8                  | PHG SPZ1800    |                              | 71.0   | 9                  | 8  | PHG 3V710  |           |
|                     | 1 850                      | 9,7   | 8                  | PHG SPZ1850    |                              | 73.0   | 9                  | 8  | PHG 3V730  |           |
|                     | 1 900                      | 9,7   | 8                  | PHG SPZ1900    |                              | 75.0   | 9                  | 8  | PHG 3V750  |           |
|                     | 2 037 <sup>1)</sup>        | 9,7   | 8                  | PHG SPZ2037    |                              | 80.0   | 9                  | 8  | PHG 3V800  |           |
|                     | 2 160                      | 9,7   | 8                  | PHG SPZ2160    |                              | 85.0   | 9                  | 8  | PHG 3V850  |           |
|                     | 2 280                      | 9,7   | 8                  | PHG SPZ2280    |                              | 90.0   | 9                  | 8  | PHG 3V900  |           |
|                     | 2 410                      | 9,7   | 8                  | PHG SPZ2410    |                              | 95.0   | 9                  | 8  | PHG 3V950  |           |
|                     | 2 540                      | 9,7   | 8                  | PHG SPZ2540    |                              | 100.0  | 9                  | 8  | PHG 3V1000 |           |
|                     | 2 690                      | 9,7   | 8                  | PHG SPZ2690    |                              | 106.0  | 9                  | 8  | PHG 3V1060 |           |
|                     | 2 840                      | 9,7   | 8                  | PHG SPZ2840    |                              | 112.0  | 9                  | 8  | PHG 3V1120 |           |
|                     | 3 000                      | 9,7   | 8                  | PHG SPZ3000    |                              | 118.0  | 9                  | 8  | PHG 3V1180 |           |
|                     | 3 170                      | 9,7   | 8                  | PHG SPZ3170    |                              | 125.0  | 9                  | 8  | PHG 3V1250 |           |
|                     | 3 550                      | 9,7   | 8                  | PHG SPZ3550    |                              | 140.0  | 9                  | 8  | PHG 3V1400 |           |
|                     | SPB                        | 1 260 | 16,3               | 13             | PHG SPB1260                  | 5V/15N | 50.0               | 15 | 13         | PHG 5V500 |
|                     |                            | 1 340 | 16,3               | 13             | PHG SPB1340                  |        | 53.0               | 15 | 13         | PHG 5V530 |
|                     |                            | 1 410 | 16,3               | 13             | PHG SPB1410                  |        | 56.0               | 15 | 13         | PHG 5V560 |
|                     |                            | 1 600 | 16,3               | 13             | PHG SPB1600                  |        | 63.0               | 15 | 13         | PHG 5V630 |
|                     |                            | 1 800 | 16,3               | 13             | PHG SPB1800                  |        | 71.0               | 15 | 13         | PHG 5V710 |
|                     |                            | 2 020 | 16,3               | 13             | PHG SPB2020                  |        | 80.0               | 15 | 13         | PHG 5V800 |
|                     |                            | 2 150 | 16,3               | 13             | PHG SPB2150                  |        | 85.0               | 15 | 13         | PHG 5V850 |
|                     |                            | 2 280 | 16,3               | 13             | PHG SPB2280                  |        | 90.0               | 15 | 13         | PHG 5V900 |
|                     |                            | 2 410 | 16,3               | 13             | PHG SPB2410                  |        | 95.0               | 15 | 13         | PHG 5V950 |
| 2 530               |                            | 16,3  | 13                 | PHG SPB2530    |                              | 100.0  | 15                 | 13 | PHG 5V1000 |           |
| 2 680               |                            | 16,3  | 13                 | PHG SPB2680    |                              | 106.0  | 15                 | 13 | PHG 5V1060 |           |
| 2 840               |                            | 16,3  | 13                 | PHG SPB2840    |                              | 112.0  | 15                 | 13 | PHG 5V1120 |           |
| 3 000               |                            | 16,3  | 13                 | PHG SPB3000    |                              | 118.0  | 15                 | 13 | PHG 5V1180 |           |
| 3 170 <sup>2)</sup> |                            | 16,3  | 13                 | PHG SPB3170    |                              | 125.0  | 15                 | 13 | PHG 5V1250 |           |
| 3 350               |                            | 16,3  | 13                 | PHG SPB3350    |                              | 132.0  | 15                 | 13 | PHG 5V1320 |           |
| 3 550               |                            | 16,3  | 13                 | PHG SPB3550    |                              | 140.0  | 15                 | 13 | PHG 5V1400 |           |
| 3 800               |                            | 16,3  | 13                 | PHG SPB3800    |                              | 150.0  | 15                 | 13 | PHG 5V1500 |           |
| 4 060               |                            | 16,3  | 13                 | PHG SPB4060    |                              | 160.0  | 15                 | 13 | PHG 5V1600 |           |
| 4 310               |                            | 16,3  | 13                 | PHG SPB4310    |                              | 170.0  | 15                 | 13 | PHG 5V1700 |           |
| 4 560               |                            | 16,3  | 13                 | PHG SPB4560    |                              | 180.0  | 15                 | 13 | PHG 5V1800 |           |
| 4 820               |                            | 16,3  | 13                 | PHG SPB4820    |                              | 190.0  | 15                 | 13 | PHG 5V1900 |           |
| 5 070               |                            | 16,3  | 13                 | PHG SPB5070    |                              | 200.0  | 15                 | 13 | PHG 5V2000 |           |
| 5 380               |                            | 16,3  | 13                 | PHG SPB5380    |                              | 212.0  | 15                 | 13 | PHG 5V2120 |           |
| 5 680               |                            | 16,3  | 13                 | PHG SPB5680    |                              | 224.0  | 15                 | 13 | PHG 5V2240 |           |
| 6 000               |                            | 16,3  | 13                 | PHG SPB6000    |                              | 236.0  | 15                 | 13 | PHG 5V2360 |           |
| 6 340               |                            | 16,3  | 13                 | PHG SPB6340    |                              | 250.0  | 15                 | 13 | PHG 5V2500 |           |
| 7 100               |                            | 16,3  | 13                 | PHG SPB7100    |                              | 280.0  | 15                 | 13 | PHG 5V2800 |           |
| 8 000               |                            | 16,3  | 13                 | PHG SPB8000    |                              | 315.0  | 15                 | 13 | PHG 5V3150 |           |

<sup>1)</sup> Belts have a slight variation in pitch length.

<sup>2)</sup> 3170 (Lp) - Check availability

### Raw edge belts

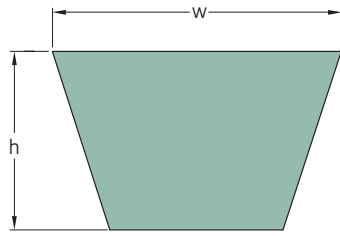
Belts up to and including 3 500 mm (Lp) may also available in RAW EDGE COG construction. Designations are PHG XPB\*\*\* and PHG 5VX\*\*\* respectively.

### Banded belts (SPZ/XPZ/3V/3VX and SPB/XPB/5V/5VX)

As the transverse pitch (between pulley grooves) of the ISO and RMA standards varies, a check should be made of both pulleys before selecting, interchanging or using banded belts. Both pulleys must have the same transverse pitch dimension.

# SKF Cogged Raw Edge Classical Belts

X10/ZX | X13/AX



| Section | Dimensions   |       | Inside length |    |          | Designation |
|---------|--------------|-------|---------------|----|----------|-------------|
|         | Pitch length |       |               | w  | h        |             |
| -       | mm           | in.   |               | mm |          | -           |
| X10/ZX  | 600          | 584   | 23.00         | 10 | 6        | PHG ZX23    |
|         | 620          | 610   | 24.00         | 10 | 6        | PHG ZX24    |
|         | 650          | 635   | 25.00         | 10 | 6        | PHG ZX25    |
|         | 680          | 660   | 26.00         | 10 | 6        | PHG ZX26    |
|         | 700          | 686   | 27.00         | 10 | 6        | PHG ZX27    |
|         | 725          | 711   | 28.00         | 10 | 6        | PHG ZX28    |
|         | 750          | 737   | 29.00         | 10 | 6        | PHG ZX29    |
|         | 780          | 762   | 30.00         | 10 | 6        | PHG ZX30    |
|         | 800          | 787   | 31.00         | 10 | 6        | PHG ZX31    |
|         | 840          | 813   | 32.00         | 10 | 6        | PHG ZX32    |
|         | 850          | 838   | 33.00         | 10 | 6        | PHG ZX33    |
|         | 875          | 864   | 34.00         | 10 | 6        | PHG ZX34    |
|         | 900          | 889   | 35.00         | 10 | 6        | PHG ZX35    |
|         | 930          | 914   | 36.00         | 10 | 6        | PHG ZX36    |
|         | 950          | 940   | 37.00         | 10 | 6        | PHG ZX37    |
|         | 980          | 965   | 38.00         | 10 | 6        | PHG ZX38    |
|         | 1 035        | 1 016 | 40.00         | 10 | 6        | PHG ZX40    |
|         | 1 055        | 1 041 | 41.00         | 10 | 6        | PHG ZX41    |
|         | 1 080        | 1 067 | 42.00         | 10 | 6        | PHG ZX42    |
|         | 1 105        | 1 092 | 43.00         | 10 | 6        | PHG ZX43    |
|         | 1 130        | 1 118 | 44.00         | 10 | 6        | PHG ZX44    |
|         | 1 155        | 1 143 | 45.00         | 10 | 6        | PHG ZX45    |
|         | 1 290        | 1 270 | 50.00         | 10 | 6        | PHG ZX50    |
|         | 1 340        | 1 321 | 52.00         | 10 | 6        | PHG ZX52    |
|         | 1 380        | 1 346 | 53.00         | 10 | 6        | PHG ZX53    |
|         | 1 390        | 1 372 | 54.00         | 10 | 6        | PHG ZX54    |
|         | 1 420        | 1 397 | 55.00         | 10 | 6        | PHG ZX55    |
|         | 1 465        | 1 448 | 57.00         | 10 | 6        | PHG ZX57    |
|         | 1 515        | 1 499 | 59.00         | 10 | 6        | PHG ZX59    |
|         | 1 570        | 1 549 | 61.00         | 10 | 6        | PHG ZX61    |
| 1 620   | 1 600        | 63.00 | 10            | 6  | PHG ZX63 |             |
| 1 670   | 1 651        | 65.00 | 10            | 6  | PHG ZX65 |             |
| 1 695   | 1 676        | 66.00 | 10            | 6  | PHG ZX66 |             |
| 1 720   | 1 702        | 67.00 | 10            | 6  | PHG ZX67 |             |
| 1 750   | 1 727        | 68.00 | 10            | 6  | PHG ZX68 |             |
| 1 770   | 1 753        | 69.00 | 10            | 6  | PHG ZX69 |             |
| 1 820   | 1 803        | 71.00 | 10            | 6  | PHG ZX71 |             |
| 2 000   | 1 981        | 78.00 | 10            | 6  | PHG ZX78 |             |
| X13/AX  | 570          | 533   | 21.00         | 13 | 8        | PHG AX21    |
|         | 590          | 559   | 22.00         | 13 | 8        | PHG AX22    |
|         | 620          | 584   | 23.00         | 13 | 8        | PHG AX23    |
|         | 640          | 610   | 24.00         | 13 | 8        | PHG AX24    |
|         | 670          | 635   | 25.00         | 13 | 8        | PHG AX25    |
|         | 700          | 660   | 26.00         | 13 | 8        | PHG AX26    |
|         | 720          | 686   | 27.00         | 13 | 8        | PHG AX27    |
|         | 740          | 711   | 28.00         | 13 | 8        | PHG AX28    |
|         | 770          | 737   | 29.00         | 13 | 8        | PHG AX29    |
|         | 790          | 762   | 30.00         | 13 | 8        | PHG AX30    |
|         | 820          | 787   | 31.00         | 13 | 8        | PHG AX31    |
|         | 850          | 813   | 32.00         | 13 | 8        | PHG AX32    |
|         | 870          | 838   | 33.00         | 13 | 8        | PHG AX33    |
|         | 890          | 864   | 34.00         | 13 | 8        | PHG AX34    |
|         | 920          | 889   | 35.00         | 13 | 8        | PHG AX35    |
|         | 950          | 914   | 36.00         | 13 | 8        | PHG AX36    |

| Section | Dimensions   |       | Inside length |    |          | Designation |
|---------|--------------|-------|---------------|----|----------|-------------|
|         | Pitch length |       |               | w  | h        |             |
| -       | mm           | in.   |               | mm |          | -           |
| X13/AX  | 970          | 940   | 37.00         | 13 | 8        | PHG AX37    |
|         | 990          | 965   | 38.00         | 13 | 8        | PHG AX38    |
|         | 1 020        | 991   | 39.00         | 13 | 8        | PHG AX39    |
|         | 1 050        | 1 016 | 40.00         | 13 | 8        | PHG AX40    |
|         | 1 070        | 1 041 | 41.00         | 13 | 8        | PHG AX41    |
|         | 1 100        | 1 067 | 42.00         | 13 | 8        | PHG AX42    |
|         | 1 130        | 1 092 | 43.00         | 13 | 8        | PHG AX43    |
|         | 1 150        | 1 118 | 44.00         | 13 | 8        | PHG AX44    |
|         | 1 180        | 1 143 | 45.00         | 13 | 8        | PHG AX45    |
|         | 1 200        | 1 168 | 46.00         | 13 | 8        | PHG AX46    |
|         | 1 230        | 1 194 | 47.00         | 13 | 8        | PHG AX47    |
|         | 1 250        | 1 219 | 48.00         | 13 | 8        | PHG AX48    |
|         | 1 280        | 1 245 | 49.00         | 13 | 8        | PHG AX49    |
|         | 1 300        | 1 270 | 50.00         | 13 | 8        | PHG AX50    |
|         | 1 330        | 1 295 | 51.00         | 13 | 8        | PHG AX51    |
|         | 1 360        | 1 321 | 52.00         | 13 | 8        | PHG AX52    |
|         | 1 380        | 1 346 | 53.00         | 13 | 8        | PHG AX53    |
|         | 1 410        | 1 372 | 54.00         | 13 | 8        | PHG AX54    |
|         | 1 430        | 1 397 | 55.00         | 13 | 8        | PHG AX55    |
|         | 1 460        | 1 422 | 56.00         | 13 | 8        | PHG AX56    |
|         | 1 480        | 1 448 | 57.00         | 13 | 8        | PHG AX57    |
|         | 1 510        | 1 473 | 58.00         | 13 | 8        | PHG AX58    |
|         | 1 530        | 1 499 | 59.00         | 13 | 8        | PHG AX59    |
|         | 1 550        | 1 524 | 60.00         | 13 | 8        | PHG AX60    |
|         | 1 580        | 1 549 | 61.00         | 13 | 8        | PHG AX61    |
|         | 1 610        | 1 575 | 62.00         | 13 | 8        | PHG AX62    |
|         | 1 640        | 1 600 | 63.00         | 13 | 8        | PHG AX63    |
|         | 1 660        | 1 626 | 64.00         | 13 | 8        | PHG AX64    |
|         | 1 690        | 1 651 | 65.00         | 13 | 8        | PHG AX65    |
|         | 1 710        | 1 676 | 66.00         | 13 | 8        | PHG AX66    |
| 1 740   | 1 702        | 67.00 | 13            | 8  | PHG AX67 |             |
| 1 760   | 1 727        | 68.00 | 13            | 8  | PHG AX68 |             |
| 1 790   | 1 753        | 69.00 | 13            | 8  | PHG AX69 |             |
| 1 810   | 1 778        | 70.00 | 13            | 8  | PHG AX70 |             |
| 1 840   | 1 803        | 71.00 | 13            | 8  | PHG AX71 |             |
| 1 860   | 1 829        | 72.00 | 13            | 8  | PHG AX72 |             |
| 1 890   | 1 854        | 73.00 | 13            | 8  | PHG AX73 |             |
| 1 920   | 1 880        | 74.00 | 13            | 8  | PHG AX74 |             |
| 1 940   | 1 905        | 75.00 | 13            | 8  | PHG AX75 |             |
| 1 960   | 1 930        | 76.00 | 13            | 8  | PHG AX76 |             |
| 1 990   | 1 956        | 77.00 | 13            | 8  | PHG AX77 |             |
| 2 020   | 1 981        | 78.00 | 13            | 8  | PHG AX78 |             |
| 2 050   | 2 007        | 79.00 | 13            | 8  | PHG AX79 |             |
| 2 070   | 2 032        | 80.00 | 13            | 8  | PHG AX80 |             |
| 2 090   | 2 057        | 81.00 | 13            | 8  | PHG AX81 |             |
| 2 120   | 2 083        | 82.00 | 13            | 8  | PHG AX82 |             |
| 2 140   | 2 108        | 83.00 | 13            | 8  | PHG AX83 |             |
| 2 170   | 2 134        | 84.00 | 13            | 8  | PHG AX84 |             |
| 2 200   | 2 159        | 85.00 | 13            | 8  | PHG AX85 |             |
| 2 220   | 2 184        | 86.00 | 13            | 8  | PHG AX86 |             |
| 2 240   | 2 210        | 87.00 | 13            | 8  | PHG AX87 |             |
| 2 270   | 2 235        | 88.00 | 13            | 8  | PHG AX88 |             |
| 2 300   | 2 261        | 89.00 | 13            | 8  | PHG AX89 |             |
| 2 320   | 2 286        | 90.00 | 13            | 8  | PHG AX90 |             |
| 2 350   | 2 311        | 91.00 | 13            | 8  | PHG AX91 |             |

Non-standard lengths are also available.

# SKF Cogged Raw Edge Classical Belts

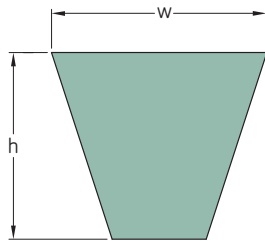
X13/AX | X17/BX | X22/CX

| Section | Dimensions   |               |        |    |          | Designation | Section | Dimensions |              |               |           |           | Designation |   |   |
|---------|--------------|---------------|--------|----|----------|-------------|---------|------------|--------------|---------------|-----------|-----------|-------------|---|---|
|         | Pitch length | Inside length |        |    | w        |             |         | h          | Pitch length | Inside length |           |           |             | w | h |
|         |              | mm            | in.    | mm |          |             |         |            |              | mm            | mm        | in.       |             |   |   |
| X13/AX  | 2 400        | 2 362         | 93.00  | 13 | 8        | PHG AX93    | X17/BX  | 2 230      | 2 184        | 86.00         | 17        | 11        | PHG BX86    |   |   |
|         | 2 420        | 2 388         | 94.00  | 13 | 8        | PHG AX94    |         | 2 250      | 2 210        | 87.00         | 17        | 11        | PHG BX87    |   |   |
|         | 2 450        | 2 413         | 95.00  | 13 | 8        | PHG AX95    |         | 2 280      | 2 235        | 88.00         | 17        | 11        | PHG BX88    |   |   |
|         | 2 480        | 2 438         | 96.00  | 13 | 8        | PHG AX96    |         | 2 300      | 2 261        | 89.00         | 17        | 11        | PHG BX89    |   |   |
|         | 2 500        | 2 464         | 97.00  | 13 | 8        | PHG AX97    |         | 2 330      | 2 286        | 90.00         | 17        | 11        | PHG BX90    |   |   |
|         | 2 520        | 2 489         | 98.00  | 13 | 8        | PHG AX98    |         | 2 350      | 2 311        | 91.00         | 17        | 11        | PHG BX91    |   |   |
|         | 2 570        | 2 540         | 100.00 | 13 | 8        | PHG AX100   |         | 2 380      | 2 337        | 92.00         | 17        | 11        | PHG BX92    |   |   |
|         | 2 650        | 2 616         | 103.00 | 13 | 8        | PHG AX103   |         | 2 400      | 2 362        | 93.00         | 17        | 11        | PHG BX93    |   |   |
|         | 2 680        | 2 642         | 104.00 | 13 | 8        | PHG AX104   |         | 2 420      | 2 388        | 94.00         | 17        | 11        | PHG BX94    |   |   |
|         | 2 700        | 2 667         | 105.00 | 13 | 8        | PHG AX105   |         | 2 450      | 2 413        | 95.00         | 17        | 11        | PHG BX95    |   |   |
|         | 2 830        | 2 794         | 110.00 | 13 | 8        | PHG AX110   |         | 2 480      | 2 438        | 96.00         | 17        | 11        | PHG BX96    |   |   |
|         | 2 880        | 2 845         | 112.00 | 13 | 8        | PHG AX112   |         | 2 500      | 2 464        | 97.00         | 17        | 11        | PHG BX97    |   |   |
|         | 3 030        | 2 997         | 118.00 | 13 | 8        | PHG AX118   |         | 2 530      | 2 489        | 98.00         | 17        | 11        | PHG BX98    |   |   |
|         | 3 190        | 3 150         | 124.00 | 13 | 8        | PHG AX124   |         | 2 560      | 2 515        | 99.00         | 17        | 11        | PHG BX99    |   |   |
|         | 3 390        | 3 353         | 132.00 | 13 | 8        | PHG AX132   |         | 2 580      | 2 540        | 100.00        | 17        | 11        | PHG BX100   |   |   |
| X17/BX  | 624          | 584           | 23.00  | 17 | 11       | PHG BX23    | 2 660   | 2 616      | 103.00       | 17            | 11        | PHG BX103 |             |   |   |
|         | 675          | 635           | 25.00  | 17 | 11       | PHG BX25    | 2 680   | 2 642      | 104.00       | 17            | 11        | PHG BX104 |             |   |   |
|         | 700          | 660           | 26.00  | 17 | 11       | PHG BX26    | 2 700   | 2 667      | 105.00       | 17            | 11        | PHG BX105 |             |   |   |
|         | 750          | 711           | 28.00  | 17 | 11       | PHG BX28    | 2 740   | 2 692      | 106.00       | 17            | 11        | PHG BX106 |             |   |   |
|         | 770          | 737           | 29.00  | 17 | 11       | PHG BX29    | 2 790   | 2 743      | 108.00       | 17            | 11        | PHG BX108 |             |   |   |
|         | 800          | 762           | 30.00  | 17 | 11       | PHG BX30    | 2 840   | 2 794      | 110.00       | 17            | 11        | PHG BX110 |             |   |   |
|         | 830          | 787           | 31.00  | 17 | 11       | PHG BX31    | 2 890   | 2 845      | 112.00       | 17            | 11        | PHG BX112 |             |   |   |
|         | 860          | 813           | 32.00  | 17 | 11       | PHG BX32    | 2 910   | 2 870      | 113.00       | 17            | 11        | PHG BX113 |             |   |   |
|         | 880          | 838           | 33.00  | 17 | 11       | PHG BX33    | 2 960   | 2 921      | 115.00       | 17            | 11        | PHG BX115 |             |   |   |
|         | 910          | 864           | 34.00  | 17 | 11       | PHG BX34    | 2 990   | 2 946      | 116.00       | 17            | 11        | PHG BX116 |             |   |   |
|         | 930          | 889           | 35.00  | 17 | 11       | PHG BX35    | 3 040   | 2 997      | 118.00       | 17            | 11        | PHG BX118 |             |   |   |
|         | 960          | 914           | 36.00  | 17 | 11       | PHG BX36    | 3 090   | 3 048      | 120.00       | 17            | 11        | PHG BX120 |             |   |   |
|         | 980          | 940           | 37.00  | 17 | 11       | PHG BX37    | 3 165   | 3 124      | 123.00       | 17            | 11        | PHG BX123 |             |   |   |
|         | 1 000        | 965           | 38.00  | 17 | 11       | PHG BX38    | 3 200   | 3 150      | 124.00       | 17            | 11        | PHG BX124 |             |   |   |
|         | 1 030        | 991           | 39.00  | 17 | 11       | PHG BX39    | 3 240   | 3 200      | 126.00       | 17            | 11        | PHG BX126 |             |   |   |
|         | 1 060        | 1 016         | 40.00  | 17 | 11       | PHG BX40    | 3 290   | 3 251      | 128.00       | 17            | 11        | PHG BX128 |             |   |   |
|         | 1 080        | 1 041         | 41.00  | 17 | 11       | PHG BX41    | 3 400   | 3 353      | 132.00       | 17            | 11        | PHG BX132 |             |   |   |
|         | 1 100        | 1 067         | 42.00  | 17 | 11       | PHG BX42    | X22/CX  | 1 050      | 991          | 39.00         | 22        | 14        | PHG CX39    |   |   |
|         | 1 130        | 1 092         | 43.00  | 17 | 11       | PHG BX43    |         | 1 150      | 1 092        | 43.00         | 22        | 14        | PHG CX43    |   |   |
|         | 1 160        | 1 118         | 44.00  | 17 | 11       | PHG BX44    |         | 1 300      | 1 245        | 49.00         | 22        | 14        | PHG CX49    |   |   |
|         | 1 180        | 1 143         | 45.00  | 17 | 11       | PHG BX45    |         | 1 350      | 1 295        | 51.00         | 22        | 14        | PHG CX51    |   |   |
|         | 1 210        | 1 168         | 46.00  | 17 | 11       | PHG BX46    |         | 1 370      | 1 321        | 52.00         | 22        | 14        | PHG CX52    |   |   |
|         | 1 240        | 1 194         | 47.00  | 17 | 11       | PHG BX47    |         | 1 450      | 1 397        | 55.00         | 22        | 14        | PHG CX55    |   |   |
|         | 1 260        | 1 219         | 48.00  | 17 | 11       | PHG BX48    |         | 1 560      | 1 499        | 59.00         | 22        | 14        | PHG CX59    |   |   |
|         | 1 290        | 1 245         | 49.00  | 17 | 11       | PHG BX49    |         | 1 580      | 1 524        | 60.00         | 22        | 14        | PHG CX60    |   |   |
|         | 1 310        | 1 270         | 50.00  | 17 | 11       | PHG BX50    |         | 1 630      | 1 575        | 62.00         | 22        | 14        | PHG CX62    |   |   |
|         | 1 340        | 1 295         | 51.00  | 17 | 11       | PHG BX51    |         | 1 760      | 1 702        | 67.00         | 22        | 14        | PHG CX67    |   |   |
|         | 1 370        | 1 321         | 52.00  | 17 | 11       | PHG BX52    |         | 1 780      | 1 727        | 68.00         | 22        | 14        | PHG CX68    |   |   |
|         | 1 390        | 1 346         | 53.00  | 17 | 11       | PHG BX53    |         | 1 860      | 1 803        | 71.00         | 22        | 14        | PHG CX71    |   |   |
|         | 1 410        | 1 372         | 54.00  | 17 | 11       | PHG BX54    |         | 1 880      | 1 829        | 72.00         | 22        | 14        | PHG CX72    |   |   |
|         | 1 440        | 1 397         | 55.00  | 17 | 11       | PHG BX55    |         | 1 950      | 1 905        | 75.00         | 22        | 14        | PHG CX75    |   |   |
|         | 1 460        | 1 422         | 56.00  | 17 | 11       | PHG BX56    |         | 2 040      | 1 981        | 78.00         | 22        | 14        | PHG CX78    |   |   |
|         | 1 490        | 1 448         | 57.00  | 17 | 11       | PHG BX57    | 2 060   | 2 007      | 79.00        | 22            | 14        | PHG CX79  |             |   |   |
|         | 1 510        | 1 473         | 58.00  | 17 | 11       | PHG BX58    | 2 110   | 2 057      | 81.00        | 22            | 14        | PHG CX81  |             |   |   |
|         | 1 540        | 1 499         | 59.00  | 17 | 11       | PHG BX59    | 2 220   | 2 159      | 85.00        | 22            | 14        | PHG CX85  |             |   |   |
|         | 1 560        | 1 524         | 60.00  | 17 | 11       | PHG BX60    | 2 290   | 2 235      | 88.00        | 22            | 14        | PHG CX88  |             |   |   |
|         | 1 590        | 1 549         | 61.00  | 17 | 11       | PHG BX61    | 2 340   | 2 286      | 90.00        | 22            | 14        | PHG CX90  |             |   |   |
|         | 1 620        | 1 575         | 62.00  | 17 | 11       | PHG BX62    | 2 420   | 2 362      | 93.00        | 22            | 14        | PHG CX93  |             |   |   |
|         | 1 640        | 1 600         | 63.00  | 17 | 11       | PHG BX63    | 2 490   | 2 438      | 96.00        | 22            | 14        | PHG CX96  |             |   |   |
|         | 1 670        | 1 626         | 64.00  | 17 | 11       | PHG BX64    | 2 550   | 2 489      | 98.00        | 22            | 14        | PHG CX98  |             |   |   |
|         | 1 690        | 1 651         | 65.00  | 17 | 11       | PHG BX65    | 2 600   | 2 540      | 100.00       | 22            | 14        | PHG CX100 |             |   |   |
|         | 1 720        | 1 676         | 66.00  | 17 | 11       | PHG BX66    | 2 620   | 2 565      | 101.00       | 22            | 14        | PHG CX101 |             |   |   |
|         | 1 740        | 1 702         | 67.00  | 17 | 11       | PHG BX67    | 2 720   | 2 667      | 105.00       | 22            | 14        | PHG CX105 |             |   |   |
|         | 1 760        | 1 727         | 68.00  | 17 | 11       | PHG BX68    | 2 825   | 2 769      | 109.00       | 22            | 14        | PHG CX109 |             |   |   |
|         | 1 800        | 1 753         | 69.00  | 17 | 11       | PHG BX69    | 2 850   | 2 794      | 110.00       | 22            | 14        | PHG CX110 |             |   |   |
| 1 820   | 1 778        | 70.00         | 17     | 11 | PHG BX70 | 2 880       | 2 819   | 111.00     | 22           | 14            | PHG CX111 |           |             |   |   |
| 1 850   | 1 803        | 71.00         | 17     | 11 | PHG BX71 | 2 900       | 2 845   | 112.00     | 22           | 14            | PHG CX112 |           |             |   |   |
| 1 870   | 1 829        | 72.00         | 17     | 11 | PHG BX72 | 2 980       | 2 921   | 115.00     | 22           | 14            | PHG CX115 |           |             |   |   |
| 1 900   | 1 854        | 73.00         | 17     | 11 | PHG BX73 | 3 050       | 2 997   | 118.00     | 22           | 14            | PHG CX118 |           |             |   |   |
| 1 920   | 1 880        | 74.00         | 17     | 11 | PHG BX74 | 3 100       | 3 048   | 120.00     | 22           | 14            | PHG CX120 |           |             |   |   |
| 1 950   | 1 905        | 75.00         | 17     | 11 | PHG BX75 | 3 210       | 3 150   | 124.00     | 22           | 14            | PHG CX124 |           |             |   |   |
| 1 970   | 1 930        | 76.00         | 17     | 11 | PHG BX76 | 3 310       | 3 251   | 128.00     | 22           | 14            | PHG CX128 |           |             |   |   |
| 2 000   | 1 956        | 77.00         | 17     | 11 | PHG BX77 | 3 410       | 3 353   | 132.00     | 22           | 14            | PHG CX132 |           |             |   |   |
| 2 020   | 1 981        | 78.00         | 17     | 11 | PHG BX78 |             |         |            |              |               |           |           |             |   |   |
| 2 050   | 2 007        | 79.00         | 17     | 11 | PHG BX79 |             |         |            |              |               |           |           |             |   |   |
| 2 070   | 2 032        | 80.00         | 17     | 11 | PHG BX80 |             |         |            |              |               |           |           |             |   |   |
| 2 100   | 2 057        | 81.00         | 17     | 11 | PHG BX81 |             |         |            |              |               |           |           |             |   |   |
| 2 130   | 2 083        | 82.00         | 17     | 11 | PHG BX82 |             |         |            |              |               |           |           |             |   |   |
| 2 150   | 2 108        | 83.00         | 17     | 11 | PHG BX83 |             |         |            |              |               |           |           |             |   |   |
| 2 180   | 2 134        | 84.00         | 17     | 11 | PHG BX84 |             |         |            |              |               |           |           |             |   |   |
| 2 200   | 2 159        | 85.00         | 17     | 11 | PHG BX85 |             |         |            |              |               |           |           |             |   |   |

Non-standard lengths are also available.

SKF Cogged Raw Edge Narrow Wedge Belts

3VX/9NX | 5VX/15NX



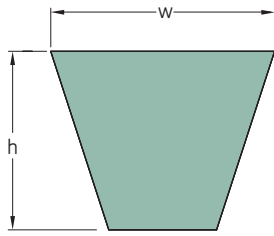
| Section  | Dimensions<br>Outside length |       | Designation |    |             |
|----------|------------------------------|-------|-------------|----|-------------|
|          | mm                           | in.   | w           | h  |             |
| 3VX/9NX  | 635                          | 25.0  | 9           | 8  | PHG 3VX250  |
|          | 673                          | 26.5  | 9           | 8  | PHG 3VX265  |
|          | 711                          | 28.0  | 9           | 8  | PHG 3VX280  |
|          | 762                          | 30.0  | 9           | 8  | PHG 3VX300  |
|          | 800                          | 31.5  | 9           | 8  | PHG 3VX315  |
|          | 851                          | 33.5  | 9           | 8  | PHG 3VX335  |
|          | 902                          | 35.5  | 9           | 8  | PHG 3VX355  |
|          | 953                          | 37.5  | 9           | 8  | PHG 3VX375  |
|          | 1 016                        | 40.0  | 9           | 8  | PHG 3VX400  |
|          | 1 080                        | 42.5  | 9           | 8  | PHG 3VX425  |
|          | 1 143                        | 45.0  | 9           | 8  | PHG 3VX450  |
|          | 1 207                        | 47.5  | 9           | 8  | PHG 3VX475  |
|          | 1 270                        | 50.0  | 9           | 8  | PHG 3VX500  |
|          | 1 346                        | 53.0  | 9           | 8  | PHG 3VX530  |
|          | 1 422                        | 56.0  | 9           | 8  | PHG 3VX560  |
|          | 1 524                        | 60.0  | 9           | 8  | PHG 3VX600  |
|          | 1 600                        | 63.0  | 9           | 8  | PHG 3VX630  |
|          | 1 702                        | 67.0  | 9           | 8  | PHG 3VX670  |
|          | 1 803                        | 71.0  | 9           | 8  | PHG 3VX710  |
|          | 1 905                        | 75.0  | 9           | 8  | PHG 3VX750  |
|          | 2 032                        | 80.0  | 9           | 8  | PHG 3VX800  |
|          | 2 159                        | 85.0  | 9           | 8  | PHG 3VX850  |
|          | 2 286                        | 90.0  | 9           | 8  | PHG 3VX900  |
|          | 2 413                        | 95.0  | 9           | 8  | PHG 3VX950  |
|          | 2 540                        | 100.0 | 9           | 8  | PHG 3VX1000 |
|          | 2 692                        | 106.0 | 9           | 8  | PHG 3VX1060 |
|          | 2 845                        | 112.0 | 9           | 8  | PHG 3VX1120 |
|          | 2 997                        | 118.0 | 9           | 8  | PHG 3VX1180 |
|          | 3 175                        | 125.0 | 9           | 8  | PHG 3VX1250 |
|          | 3 353                        | 132.0 | 9           | 8  | PHG 3VX1320 |
|          | 3 556                        | 140.0 | 9           | 8  | PHG 3VX1400 |
|          | 3 810                        | 150.0 | 9           | 8  | PHG 3VX1500 |
| 5VX/15NX | 1 270                        | 50.0  | 15          | 13 | PHG 5VX500  |
|          | 1 346                        | 53.0  | 15          | 13 | PHG 5VX530  |
|          | 1 422                        | 56.0  | 15          | 13 | PHG 5VX560  |
|          | 1 524                        | 60.0  | 15          | 13 | PHG 5VX600  |
|          | 1 600                        | 63.0  | 15          | 13 | PHG 5VX630  |
|          | 1 702                        | 67.0  | 15          | 13 | PHG 5VX670  |
|          | 1 803                        | 71.0  | 15          | 13 | PHG 5VX710  |
|          | 1 905                        | 75.0  | 15          | 13 | PHG 5VX750  |
|          | 2 032                        | 80.0  | 15          | 13 | PHG 5VX800  |
|          | 2 159                        | 85.0  | 15          | 13 | PHG 5VX850  |
|          | 2 286                        | 90.0  | 15          | 13 | PHG 5VX900  |
|          | 2 413                        | 95.0  | 15          | 13 | PHG 5VX950  |
|          | 2 540                        | 100.0 | 15          | 13 | PHG 5VX1000 |
|          | 2 692                        | 106.0 | 15          | 13 | PHG 5VX1060 |
|          | 2 845                        | 112.0 | 15          | 13 | PHG 5VX1120 |
|          | 2 997                        | 118.0 | 15          | 13 | PHG 5VX1180 |
|          | 3 175                        | 125.0 | 15          | 13 | PHG 5VX1250 |
|          | 3 353                        | 132.0 | 15          | 13 | PHG 5VX1320 |
|          | 3 556                        | 140.0 | 15          | 13 | PHG 5VX1400 |
|          | 3 810                        | 150.0 | 15          | 13 | PHG 5VX1500 |
|          | 4 064                        | 160.0 | 15          | 13 | PHG 5VX1600 |
|          | 4 318                        | 170.0 | 15          | 13 | PHG 5VX1700 |

| Section  | Dimensions<br>Outside length |       | Designation |    |             |
|----------|------------------------------|-------|-------------|----|-------------|
|          | mm                           | in.   | w           | h  |             |
| 5VX/15NX | 4 572                        | 180.0 | 15          | 13 | PHG 5VX1800 |
|          | 4 826                        | 190.0 | 15          | 13 | PHG 5VX1900 |
|          | 5 080                        | 200.0 | 15          | 13 | PHG 5VX2000 |

Non-standard lengths are also available.



**SKF Xtra Power Wrapped Wedge Belts**  
 SPZ XP | SPA XP | SPB XP

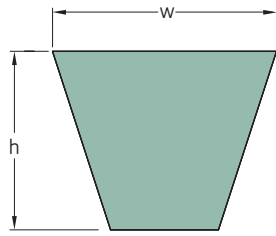


| Section | Dimensions   |     | Designation   | Section       | Dimensions   |       | Designation   | Section | Dimensions    |        | Designation   |               |      |               |               |
|---------|--------------|-----|---------------|---------------|--------------|-------|---------------|---------|---------------|--------|---------------|---------------|------|---------------|---------------|
|         | Pitch length |     |               |               | Pitch length |       |               |         | Pitch length  |        |               |               |      |               |               |
|         | w            | h   |               | w             | h            |       | w             | h       |               |        |               |               |      |               |               |
| –       | mm           | –   | –             | mm            | –            | –     | mm            | –       | –             |        |               |               |      |               |               |
| SPZ XP  | 875          | 9,7 | 8             | PHG SPZ875XP  | SPA XP       | 1 207 | 12,7          | 10      | PHG SPA1207XP | SPA XP | 2 382         | 12,7          | 10   | PHG SPA2382XP |               |
|         | 1 202        | 9,7 | 8             | PHG SPZ1202XP |              | 1 232 | 12,7          | 10      | PHG SPA1232XP |        | 2 432         | 12,7          | 10   | PHG SPA2432XP |               |
|         | 1 212        | 9,7 | 8             | PHG SPZ1212XP |              | 1 250 | 12,7          | 10      | PHG SPA1250XP |        | 2 482         | 12,7          | 10   | PHG SPA2482XP |               |
|         | 1 237        | 9,7 | 8             | PHG SPZ1237XP |              | 1 257 | 12,7          | 10      | PHG SPA1257XP |        | 2 500         | 12,7          | 10   | PHG SPA2500XP |               |
|         | 1 250        | 9,7 | 8             | PHG SPZ1250XP |              | 1 282 | 12,7          | 10      | PHG SPA1282XP |        | 2 532         | 12,7          | 10   | PHG SPA2532XP |               |
|         | 1 262        | 9,7 | 8             | PHG SPZ1262XP |              | 1 307 | 12,7          | 10      | PHG SPA1307XP |        | 2 582         | 12,7          | 10   | PHG SPA2582XP |               |
|         | 1 287        | 9,7 | 8             | PHG SPZ1287XP |              | 1 320 | 12,7          | 10      | PHG SPA1320XP |        | 2 607         | 12,7          | 10   | PHG SPA2607XP |               |
|         | 1 312        | 9,7 | 8             | PHG SPZ1312XP |              | 1 332 | 12,7          | 10      | PHG SPA1332XP |        | 2 632         | 12,7          | 10   | PHG SPA2632XP |               |
|         | 1 320        | 9,7 | 8             | PHG SPZ1320XP |              | 1 357 | 12,7          | 10      | PHG SPA1357XP |        | 2 650         | 12,7          | 10   | PHG SPA2650XP |               |
|         | 1 337        | 9,7 | 8             | PHG SPZ1337XP |              | 1 382 | 12,7          | 10      | PHG SPA1382XP |        | 2 682         | 12,7          | 10   | PHG SPA2682XP |               |
|         | 1 362        | 9,7 | 8             | PHG SPZ1362XP |              | 1 400 | 12,7          | 10      | PHG SPA1400XP |        | 2 732         | 12,7          | 10   | PHG SPA2732XP |               |
|         | 1 387        | 9,7 | 8             | PHG SPZ1387XP |              | 1 407 | 12,7          | 10      | PHG SPA1407XP |        | 2 782         | 12,7          | 10   | PHG SPA2782XP |               |
|         | 1 400        | 9,7 | 8             | PHG SPZ1400XP |              | 1 432 | 12,7          | 10      | PHG SPA1432XP |        | 2 800         | 12,7          | 10   | PHG SPA2800XP |               |
|         | 1 412        | 9,7 | 8             | PHG SPZ1412XP |              | 1 457 | 12,7          | 10      | PHG SPA1457XP |        | 2 832         | 12,7          | 10   | PHG SPA2832XP |               |
|         | 1 437        | 9,7 | 8             | PHG SPZ1437XP |              | 1 482 | 12,7          | 10      | PHG SPA1482XP |        | 2 847         | 12,7          | 10   | PHG SPA2847XP |               |
|         | 1 462        | 9,7 | 8             | PHG SPZ1462XP |              | 1 500 | 12,7          | 10      | PHG SPA1500XP |        | 2 882         | 12,7          | 10   | PHG SPA2882XP |               |
|         | 1 487        | 9,7 | 8             | PHG SPZ1487XP |              | 1 507 | 12,7          | 10      | PHG SPA1507XP |        | 2 932         | 12,7          | 10   | PHG SPA2932XP |               |
|         | 1 500        | 9,7 | 8             | PHG SPZ1500XP |              | 1 532 | 12,7          | 10      | PHG SPA1532XP |        | 2 982         | 12,7          | 10   | PHG SPA2982XP |               |
|         | 1 512        | 9,7 | 8             | PHG SPZ1512XP |              | 1 557 | 12,7          | 10      | PHG SPA1557XP |        | 3 000         | 12,7          | 10   | PHG SPA3000XP |               |
|         | 1 537        | 9,7 | 8             | PHG SPZ1537XP |              | 1 582 | 12,7          | 10      | PHG SPA1582XP |        | 3 032         | 12,7          | 10   | PHG SPA3032XP |               |
|         | 1 562        | 9,7 | 8             | PHG SPZ1562XP |              | 1 600 | 12,7          | 10      | PHG SPA1600XP |        | 3 082         | 12,7          | 10   | PHG SPA3082XP |               |
|         | 1 587        | 9,7 | 8             | PHG SPZ1587XP |              | 1 607 | 12,7          | 10      | PHG SPA1607XP |        | 3 150         | 12,7          | 10   | PHG SPA3150XP |               |
|         | 1 600        | 9,7 | 8             | PHG SPZ1600XP |              | 1 632 | 12,7          | 10      | PHG SPA1632XP |        | 3 182         | 12,7          | 10   | PHG SPA3182XP |               |
|         | 1 612        | 9,7 | 8             | PHG SPZ1612XP |              | 1 657 | 12,7          | 10      | PHG SPA1657XP |        | 3 282         | 12,7          | 10   | PHG SPA3282XP |               |
|         | 1 637        | 9,7 | 8             | PHG SPZ1637XP |              | 1 682 | 12,7          | 10      | PHG SPA1682XP |        | 3 350         | 12,7          | 10   | PHG SPA3350XP |               |
|         | 1 650        | 9,7 | 8             | PHG SPZ1650XP |              | 1 700 | 12,7          | 10      | PHG SPA1700XP |        | 3 382         | 12,7          | 10   | PHG SPA3382XP |               |
|         | 1 662        | 9,7 | 8             | PHG SPZ1662XP |              | 1 707 | 12,7          | 10      | PHG SPA1707XP |        | 3 550         | 12,7          | 10   | PHG SPA3550XP |               |
|         | 1 687        | 9,7 | 8             | PHG SPZ1687XP |              | 1 732 | 12,7          | 10      | PHG SPA1732XP |        | 3 750         | 12,7          | 10   | PHG SPA3750XP |               |
|         | 1 700        | 9,7 | 8             | PHG SPZ1700XP |              | 1 757 | 12,7          | 10      | PHG SPA1757XP |        | 4 000         | 12,7          | 10   | PHG SPA4000XP |               |
|         | 1 737        | 9,7 | 8             | PHG SPZ1737XP |              | 1 782 | 12,7          | 10      | PHG SPA1782XP |        | SPB XP        | 1 250         | 16,3 | 13            | PHG SPB1250XP |
|         | 1 762        | 9,7 | 8             | PHG SPZ1762XP |              | 1 800 | 12,7          | 10      | PHG SPA1800XP |        |               | 1 260         | 16,3 | 13            | PHG SPB1260XP |
|         | 1 787        | 9,7 | 8             | PHG SPZ1787XP |              | 1 807 | 12,7          | 10      | PHG SPA1807XP |        |               | 1 270         | 16,3 | 13            | PHG SPB1270XP |
|         | 1 800        | 9,7 | 8             | PHG SPZ1800XP |              | 1 832 | 12,7          | 10      | PHG SPA1832XP |        |               | 1 280         | 16,3 | 13            | PHG SPB1280XP |
|         | 1 837        | 9,7 | 8             | PHG SPZ1837XP |              | 1 857 | 12,7          | 10      | PHG SPA1857XP |        |               | 1 320         | 16,3 | 13            | PHG SPB1320XP |
|         | 1 862        | 9,7 | 8             | PHG SPZ1862XP |              | 1 882 | 12,7          | 10      | PHG SPA1882XP |        |               | 1 340         | 16,3 | 13            | PHG SPB1340XP |
| 1 887   | 9,7          | 8   | PHG SPZ1887XP | 1 900         | 12,7         | 10    | PHG SPA1900XP | 1 400   | 16,3          | 13     |               | PHG SPB1400XP |      |               |               |
| 1 900   | 9,7          | 8   | PHG SPZ1900XP | 1 907         | 12,7         | 10    | PHG SPA1907XP | 1 410   | 16,3          | 13     |               | PHG SPB1410XP |      |               |               |
| 1 937   | 9,7          | 8   | PHG SPZ1937XP | 1 932         | 12,7         | 10    | PHG SPA1932XP | 1 450   | 16,3          | 13     |               | PHG SPB1450XP |      |               |               |
| 1 987   | 9,7          | 8   | PHG SPZ1987XP | 1 957         | 12,7         | 10    | PHG SPA1957XP | 1 500   | 16,3          | 13     |               | PHG SPB1500XP |      |               |               |
| 2 000   | 9,7          | 8   | PHG SPZ2000XP | 1 982         | 12,7         | 10    | PHG SPA1982XP | 1 525   | 16,3          | 13     | PHG SPB1525XP |               |      |               |               |
| 2 037   | 9,7          | 8   | PHG SPZ2037XP | 2 000         | 12,7         | 10    | PHG SPA2000XP | 1 550   | 16,3          | 13     | PHG SPB1550XP |               |      |               |               |
| 2 120   | 9,7          | 8   | PHG SPZ2120XP | 2 032         | 12,7         | 10    | PHG SPA2032XP | 1 590   | 16,3          | 13     | PHG SPB1590XP |               |      |               |               |
| 2 137   | 9,7          | 8   | PHG SPZ2137XP | 2 057         | 12,7         | 10    | PHG SPA2057XP | 1 600   | 16,3          | 13     | PHG SPB1600XP |               |      |               |               |
| 2 187   | 9,7          | 8   | PHG SPZ2187XP | 2 082         | 12,7         | 10    | PHG SPA2082XP | 1 650   | 16,3          | 13     | PHG SPB1650XP |               |      |               |               |
| 2 240   | 9,7          | 8   | PHG SPZ2240XP | 2 120         | 12,7         | 10    | PHG SPA2120XP | 1 690   | 16,3          | 13     | PHG SPB1690XP |               |      |               |               |
| 2 287   | 9,7          | 8   | PHG SPZ2287XP | 2 132         | 12,7         | 10    | PHG SPA2132XP | 1 700   | 16,3          | 13     | PHG SPB1700XP |               |      |               |               |
| 2 360   | 9,7          | 8   | PHG SPZ2360XP | 2 182         | 12,7         | 10    | PHG SPA2182XP | 1 720   | 16,3          | 13     | PHG SPB1720XP |               |      |               |               |
| 2 500   | 9,7          | 8   | PHG SPZ2500XP | 2 207         | 12,7         | 10    | PHG SPA2207XP | 1 750   | 16,3          | 13     | PHG SPB1750XP |               |      |               |               |
| 2 650   | 9,7          | 8   | PHG SPZ2650XP | 2 232         | 12,7         | 10    | PHG SPA2232XP | 1 800   | 16,3          | 13     | PHG SPB1800XP |               |      |               |               |
| 2 800   | 9,7          | 8   | PHG SPZ2800XP | 2 240         | 12,7         | 10    | PHG SPA2240XP | 1 850   | 16,3          | 13     | PHG SPB1850XP |               |      |               |               |
| 3 000   | 9,7          | 8   | PHG SPZ3000XP | 2 282         | 12,7         | 10    | PHG SPA2282XP | 1 900   | 16,3          | 13     | PHG SPB1900XP |               |      |               |               |
| 3 150   | 9,7          | 8   | PHG SPZ3150XP | 2 300         | 12,7         | 10    | PHG SPA2300XP | 1 950   | 16,3          | 13     | PHG SPB1950XP |               |      |               |               |
| 3 350   | 9,7          | 8   | PHG SPZ3350XP | 2 307         | 12,7         | 10    | PHG SPA2307XP | 2 000   | 16,3          | 13     | PHG SPB2000XP |               |      |               |               |
| 3 550   | 9,7          | 8   | PHG SPZ3550XP | 2 332         | 12,7         | 10    | PHG SPA2332XP | 2 020   | 16,3          | 13     | PHG SPB2020XP |               |      |               |               |
|         |              |     |               | 2 360         | 12,7         | 10    | PHG SPA2360XP |         |               |        |               |               |      |               |               |

Non-standard lengths are also available.

# SKF Xtra Power Wrapped Wedge Belts

SPB XP | SPC XP



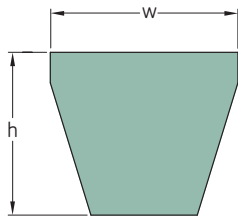
| Section | Dimensions   |      | Designation   |               |
|---------|--------------|------|---------------|---------------|
|         | Pitch length |      |               |               |
|         | w            | h    |               |               |
| -       | mm           | -    | -             |               |
| SPB XP  | 2 050        | 16,3 | 13            | PHG SPB2050XP |
|         | 2 060        | 16,3 | 13            | PHG SPB2060XP |
|         | 2 120        | 16,3 | 13            | PHG SPB2120XP |
|         | 2 150        | 16,3 | 13            | PHG SPB2150XP |
|         | 2 180        | 16,3 | 13            | PHG SPB2180XP |
|         | 2 200        | 16,3 | 13            | PHG SPB2200XP |
|         | 2 240        | 16,3 | 13            | PHG SPB2240XP |
|         | 2 280        | 16,3 | 13            | PHG SPB2280XP |
|         | 2 300        | 16,3 | 13            | PHG SPB2300XP |
|         | 2 360        | 16,3 | 13            | PHG SPB2360XP |
|         | 2 400        | 16,3 | 13            | PHG SPB2400XP |
|         | 2 410        | 16,3 | 13            | PHG SPB2410XP |
|         | 2 430        | 16,3 | 13            | PHG SPB2430XP |
|         | 2 500        | 16,3 | 13            | PHG SPB2500XP |
|         | 2 530        | 16,3 | 13            | PHG SPB2530XP |
|         | 2 580        | 16,3 | 13            | PHG SPB2580XP |
|         | 2 600        | 16,3 | 13            | PHG SPB2600XP |
|         | 2 650        | 16,3 | 13            | PHG SPB2650XP |
|         | 2 680        | 16,3 | 13            | PHG SPB2680XP |
|         | 2 700        | 16,3 | 13            | PHG SPB2700XP |
| 2 720   | 16,3         | 13   | PHG SPB2720XP |               |
| 2 750   | 16,3         | 13   | PHG SPB2750XP |               |
| 2 800   | 16,3         | 13   | PHG SPB2800XP |               |
| 2 840   | 16,3         | 13   | PHG SPB2840XP |               |
| 2 900   | 16,3         | 13   | PHG SPB2900XP |               |
| 2 990   | 16,3         | 13   | PHG SPB2990XP |               |
| 3 000   | 16,3         | 13   | PHG SPB3000XP |               |
| 3 070   | 16,3         | 13   | PHG SPB3070XP |               |
| 3 150   | 16,3         | 13   | PHG SPB3150XP |               |
| 3 170   | 16,3         | 13   | PHG SPB3170XP |               |
| 3 200   | 16,3         | 13   | PHG SPB3200XP |               |
| 3 250   | 16,3         | 13   | PHG SPB3250XP |               |
| 3 350   | 16,3         | 13   | PHG SPB3350XP |               |
| 3 400   | 16,3         | 13   | PHG SPB3400XP |               |
| 3 450   | 16,3         | 13   | PHG SPB3450XP |               |
| 3 550   | 16,3         | 13   | PHG SPB3550XP |               |
| 3 650   | 16,3         | 13   | PHG SPB3650XP |               |
| 3 675   | 16,3         | 13   | PHG SPB3675XP |               |
| 3 750   | 16,3         | 13   | PHG SPB3750XP |               |
| 3 800   | 16,3         | 13   | PHG SPB3800XP |               |
| 3 870   | 16,3         | 13   | PHG SPB3870XP |               |
| 4 000   | 16,3         | 13   | PHG SPB4000XP |               |
| 4 060   | 16,3         | 13   | PHG SPB4060XP |               |
| 4 120   | 16,3         | 13   | PHG SPB4120XP |               |
| 4 250   | 16,3         | 13   | PHG SPB4250XP |               |
| 4 310   | 16,3         | 13   | PHG SPB4310XP |               |
| 4 370   | 16,3         | 13   | PHG SPB4370XP |               |
| 4 500   | 16,3         | 13   | PHG SPB4500XP |               |
| 4 560   | 16,3         | 13   | PHG SPB4560XP |               |
| 4 620   | 16,3         | 13   | PHG SPB4620XP |               |
| 4 750   | 16,3         | 13   | PHG SPB4750XP |               |
| 4 820   | 16,3         | 13   | PHG SPB4820XP |               |
| 5 000   | 16,3         | 13   | PHG SPB5000XP |               |
| 5 070   | 16,3         | 13   | PHG SPB5070XP |               |
| 5 200   | 16,3         | 13   | PHG SPB5200XP |               |

| Section | Dimensions   |       | Designation    |               |
|---------|--------------|-------|----------------|---------------|
|         | Pitch length |       |                |               |
|         | w            | h     |                |               |
| -       | mm           | -     | -              |               |
| SPB XP  | 5 300        | 16,3  | 13             | PHG SPB5300XP |
|         | 5 380        | 16,3  | 13             | PHG SPB5380XP |
|         | 5 600        | 16,3  | 13             | PHG SPB5600XP |
|         | 6 000        | 16,3  | 13             | PHG SPB6000XP |
|         | 6 300        | 16,3  | 13             | PHG SPB6300XP |
|         | 6 700        | 16,3  | 13             | PHG SPB6700XP |
|         | 7 100        | 16,3  | 13             | PHG SPB7100XP |
|         | 7 500        | 16,3  | 13             | PHG SPB7500XP |
|         | 8 000        | 16,3  | 13             | PHG SPB8000XP |
|         | SPC XP       | 2 000 | 22,0           | 18            |
| 2 120   |              | 22,0  | 18             | PHG SPC2120XP |
| 2 240   |              | 22,0  | 18             | PHG SPC2240XP |
| 2 360   |              | 22,0  | 18             | PHG SPC2360XP |
| 2 500   |              | 22,0  | 18             | PHG SPC2500XP |
| 2 650   |              | 22,0  | 18             | PHG SPC2650XP |
| 2 800   |              | 22,0  | 18             | PHG SPC2800XP |
| 2 950   |              | 22,0  | 18             | PHG SPC2950XP |
| 3 000   |              | 22,0  | 18             | PHG SPC3000XP |
| 3 050   |              | 22,0  | 18             | PHG SPC3050XP |
| 3 100   |              | 22,0  | 18             | PHG SPC3100XP |
| 3 150   |              | 22,0  | 18             | PHG SPC3150XP |
| 3 350   |              | 22,0  | 18             | PHG SPC3350XP |
| 3 550   |              | 22,0  | 18             | PHG SPC3550XP |
| 3 750   |              | 22,0  | 18             | PHG SPC3750XP |
| 4 000   |              | 22,0  | 18             | PHG SPC4000XP |
| 4 100   |              | 22,0  | 18             | PHG SPC4100XP |
| 4 250   |              | 22,0  | 18             | PHG SPC4250XP |
| 4 380   |              | 22,0  | 18             | PHG SPC4380XP |
| 4 500   |              | 22,0  | 18             | PHG SPC4500XP |
| 4 750   | 22,0         | 18    | PHG SPC4750XP  |               |
| 5 000   | 22,0         | 18    | PHG SPC5000XP  |               |
| 5 300   | 22,0         | 18    | PHG SPC5300XP  |               |
| 5 600   | 22,0         | 18    | PHG SPC5600XP  |               |
| 5 750   | 22,0         | 18    | PHG SPC5750XP  |               |
| 6 000   | 22,0         | 18    | PHG SPC6000XP  |               |
| 6 300   | 22,0         | 18    | PHG SPC6300XP  |               |
| 6 700   | 22,0         | 18    | PHG SPC6700XP  |               |
| 7 100   | 22,0         | 18    | PHG SPC7100XP  |               |
| 7 500   | 22,0         | 18    | PHG SPC7500XP  |               |
| 8 000   | 22,0         | 18    | PHG SPC8000XP  |               |
| 8 500   | 22,0         | 18    | PHG SPC8500XP  |               |
| 9 000   | 22,0         | 18    | PHG SPC9000XP  |               |
| 9 500   | 22,0         | 18    | PHG SPC9500XP  |               |
| 10 000  | 22,0         | 18    | PHG SPC10000XP |               |
| 11 200  | 22,0         | 18    | PHG SPC11200XP |               |
| 11 800  | 22,0         | 18    | PHG SPC11800XP |               |

Non-standard lengths are also available.

# SKF Xtra Power Wrapped Narrow Wedge Belts

3V XP | 5V XP | 8V XP

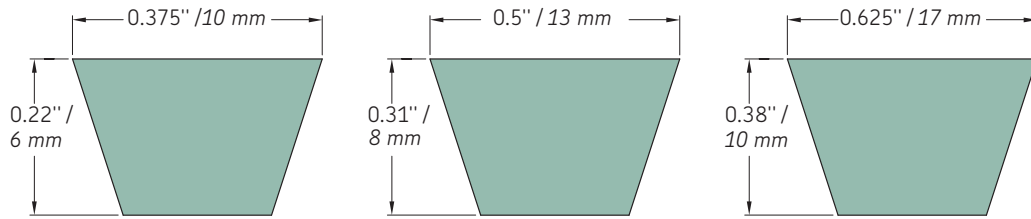


| Section | Dimensions     |       | Designation |              | Section      | Dimensions     |       | Designation |              |              |              |
|---------|----------------|-------|-------------|--------------|--------------|----------------|-------|-------------|--------------|--------------|--------------|
|         | Outside length |       | w           | h            |              | Outside length |       | w           | h            |              |              |
| –       | mm             | in.   | mm          | –            | –            | mm             | in.   | mm          | –            |              |              |
| 3V XP   | 1 080          | 42.5  | 9           | 8            | PHG 3V425XP  | 8V XP          | 2 540 | 100.0       | 25           | 23           | PHG 8V1000XP |
|         | 1 206          | 47.5  | 9           | 8            | PHG 3V475XP  |                | 2 692 | 106.0       | 25           | 23           | PHG 8V1060XP |
|         | 1 270          | 50.0  | 9           | 8            | PHG 3V500XP  |                | 2 845 | 112.0       | 25           | 23           | PHG 8V1120XP |
|         | 1 346          | 53.0  | 9           | 8            | PHG 3V530XP  |                | 2 997 | 118.0       | 25           | 23           | PHG 8V1180XP |
|         | 1 422          | 56.0  | 9           | 8            | PHG 3V560XP  |                | 3 175 | 125.0       | 25           | 23           | PHG 8V1250XP |
|         | 1 524          | 60.0  | 9           | 8            | PHG 3V600XP  |                | 3 353 | 132.0       | 25           | 23           | PHG 8V1320XP |
|         | 1 600          | 63.0  | 9           | 8            | PHG 3V630XP  |                | 3 556 | 140.0       | 25           | 23           | PHG 8V1400XP |
|         | 1 702          | 67.0  | 9           | 8            | PHG 3V670XP  |                | 3 810 | 150.0       | 25           | 23           | PHG 8V1500XP |
|         | 1 803          | 71.0  | 9           | 8            | PHG 3V710XP  |                | 4 064 | 160.0       | 25           | 23           | PHG 8V1600XP |
|         | 1 905          | 75.0  | 9           | 8            | PHG 3V750XP  |                | 4 318 | 170.0       | 25           | 23           | PHG 8V1700XP |
|         | 2 032          | 80.0  | 9           | 8            | PHG 3V800XP  |                | 4 572 | 180.0       | 25           | 23           | PHG 8V1800XP |
|         | 2 159          | 85.0  | 9           | 8            | PHG 3V850XP  |                | 4 826 | 190.0       | 25           | 23           | PHG 8V1900XP |
|         | 2 286          | 90.0  | 9           | 8            | PHG 3V900XP  |                | 5 080 | 200.0       | 25           | 23           | PHG 8V2000XP |
|         | 2 413          | 95.0  | 9           | 8            | PHG 3V950XP  |                | 5 385 | 212.0       | 25           | 23           | PHG 8V2120XP |
|         | 2 540          | 100.0 | 9           | 8            | PHG 3V1000XP |                | 5 690 | 224.0       | 25           | 23           | PHG 8V2240XP |
|         | 2 692          | 106.0 | 9           | 8            | PHG 3V1060XP |                | 5 994 | 236.0       | 25           | 23           | PHG 8V2360XP |
|         | 2 845          | 112.0 | 9           | 8            | PHG 3V1120XP |                | 6 350 | 250.0       | 25           | 23           | PHG 8V2500XP |
|         | 2 997          | 118.0 | 9           | 8            | PHG 3V1180XP |                | 6 731 | 265.0       | 25           | 23           | PHG 8V2650XP |
|         | 3 175          | 125.0 | 9           | 8            | PHG 3V1250XP |                | 7 112 | 280.0       | 25           | 23           | PHG 8V2800XP |
|         | 3 353          | 132.0 | 9           | 8            | PHG 3V1320XP |                | 7 620 | 300.0       | 25           | 23           | PHG 8V3000XP |
| 3 556   | 140.0          | 9     | 8           | PHG 3V1400XP | 8 001        | 315.0          | 25    | 23          | PHG 8V3150XP |              |              |
| 5V XP   | 1 346          | 53.0  | 15          | 13           | PHG 5V530XP  | 8 509          | 335.0 | 25          | 23           | PHG 8V3350XP |              |
|         | 1 422          | 56.0  | 15          | 13           | PHG 5V560XP  | 9 017          | 355.0 | 25          | 23           | PHG 8V3550XP |              |
|         | 1 524          | 60.0  | 15          | 13           | PHG 5V600XP  | 9 525          | 375.0 | 25          | 23           | PHG 8V3750XP |              |
|         | 1 600          | 63.0  | 15          | 13           | PHG 5V630XP  | 10 160         | 400.0 | 25          | 23           | PHG 8V4000XP |              |
|         | 1 702          | 67.0  | 15          | 13           | PHG 5V670XP  | 10 795         | 425.0 | 25          | 23           | PHG 8V4250XP |              |
|         | 1 803          | 71.0  | 15          | 13           | PHG 5V710XP  | 11 430         | 450.0 | 25          | 23           | PHG 8V4500XP |              |
|         | 1 905          | 75.0  | 15          | 13           | PHG 5V750XP  | 12 065         | 475.0 | 25          | 23           | PHG 8V4750XP |              |
|         | 2 032          | 80.0  | 15          | 13           | PHG 5V800XP  | 12 700         | 500.0 | 25          | 23           | PHG 8V5000XP |              |
|         | 2 159          | 85.0  | 15          | 13           | PHG 5V850XP  | 13 081         | 515.0 | 25          | 23           | PHG 8V5150XP |              |
|         | 2 286          | 90.0  | 15          | 13           | PHG 5V900XP  | 13 462         | 530.0 | 25          | 23           | PHG 8V5300XP |              |
|         | 2 413          | 95.0  | 15          | 13           | PHG 5V950XP  |                |       |             |              |              |              |
|         | 2 540          | 100.0 | 15          | 13           | PHG 5V1000XP |                |       |             |              |              |              |
|         | 2 692          | 106.0 | 15          | 13           | PHG 5V1060XP |                |       |             |              |              |              |
|         | 2 845          | 112.0 | 15          | 13           | PHG 5V1120XP |                |       |             |              |              |              |
|         | 2 997          | 118.0 | 15          | 13           | PHG 5V1180XP |                |       |             |              |              |              |
|         | 3 175          | 125.0 | 15          | 13           | PHG 5V1250XP |                |       |             |              |              |              |
|         | 3 353          | 132.0 | 15          | 13           | PHG 5V1320XP |                |       |             |              |              |              |
|         | 3 556          | 140.0 | 15          | 13           | PHG 5V1400XP |                |       |             |              |              |              |
|         | 3 810          | 150.0 | 15          | 13           | PHG 5V1500XP |                |       |             |              |              |              |
|         | 4 064          | 160.0 | 15          | 13           | PHG 5V1600XP |                |       |             |              |              |              |
| 4 318   | 170.0          | 15    | 13          | PHG 5V1700XP |              |                |       |             |              |              |              |
| 4 572   | 180.0          | 15    | 13          | PHG 5V1800XP |              |                |       |             |              |              |              |
| 4 826   | 190.0          | 15    | 13          | PHG 5V1900XP |              |                |       |             |              |              |              |
| 5 080   | 200.0          | 15    | 13          | PHG 5V2000XP |              |                |       |             |              |              |              |
| 5 385   | 212.0          | 15    | 13          | PHG 5V2120XP |              |                |       |             |              |              |              |
| 5 690   | 224.0          | 15    | 13          | PHG 5V2240XP |              |                |       |             |              |              |              |
| 5 994   | 236.0          | 15    | 13          | PHG 5V2360XP |              |                |       |             |              |              |              |
| 6 350   | 250.0          | 15    | 13          | PHG 5V2500XP |              |                |       |             |              |              |              |
| 6 731   | 265.0          | 15    | 13          | PHG 5V2650XP |              |                |       |             |              |              |              |
| 7 112   | 280.0          | 15    | 13          | PHG 5V2800XP |              |                |       |             |              |              |              |
| 7 620   | 300.0          | 15    | 13          | PHG 5V3000XP |              |                |       |             |              |              |              |
| 8 001   | 315.0          | 15    | 13          | PHG 5V3150XP |              |                |       |             |              |              |              |

Non-standard lengths are also available.

SKF XP Lawn and Garden v-belts

3L | 4L | 5L



| 3L      |            |       |            |             |             | 4L      |            |      |             |      |             | 5L      |            |              |            |      |             |
|---------|------------|-------|------------|-------------|-------------|---------|------------|------|-------------|------|-------------|---------|------------|--------------|------------|------|-------------|
| Section | Dimensions |       | OD: Length |             | Designation | Section | Dimensions |      | OD: Length  |      | Designation | Section | Dimensions |              | OD: Length |      | Designation |
|         | Width      |       |            |             |             |         | Width      |      |             |      |             |         | Width      |              |            |      |             |
| -       | mm         | in.   | mm         | in.         | -           | -       | mm         | in.  | mm          | in.  | -           | -       | mm         | in.          | mm         | in.  | -           |
| 3L      | 10         | 3/8   | 381        | 15.0        | PHG 3L150XP | 4L      | 13         | 1/2  | 356         | 14.0 | PHG 4L140XP | 4L      | 13         | 1/2          | 1 676      | 66.0 | PHG 4L660XP |
|         | 10         | 3/8   | 406        | 16.0        | PHG 3L160XP |         | 13         | 1/2  | 381         | 15.0 | PHG 4L150XP |         | 13         | 1/2          | 1 702      | 67.0 | PHG 4L670XP |
|         | 10         | 3/8   | 432        | 17.0        | PHG 3L170XP |         | 13         | 1/2  | 406         | 16.0 | PHG 4L160XP |         | 13         | 1/2          | 1 727      | 68.0 | PHG 4L680XP |
|         | 10         | 3/8   | 457        | 18.0        | PHG 3L180XP |         | 13         | 1/2  | 432         | 17.0 | PHG 4L170XP |         | 13         | 1/2          | 1 753      | 69.0 | PHG 4L690XP |
|         | 10         | 3/8   | 483        | 19.0        | PHG 3L190XP |         | 13         | 1/2  | 457         | 18.0 | PHG 4L180XP |         | 13         | 1/2          | 1 778      | 70.0 | PHG 4L700XP |
|         | 10         | 3/8   | 508        | 20.0        | PHG 3L200XP |         | 13         | 1/2  | 483         | 19.0 | PHG 4L190XP |         | 13         | 1/2          | 1 803      | 71.0 | PHG 4L710XP |
|         | 10         | 3/8   | 533        | 21.0        | PHG 3L210XP |         | 13         | 1/2  | 508         | 20.0 | PHG 4L200XP |         | 13         | 1/2          | 1 829      | 72.0 | PHG 4L720XP |
|         | 10         | 3/8   | 559        | 22.0        | PHG 3L220XP |         | 13         | 1/2  | 533         | 21.0 | PHG 4L210XP |         | 13         | 1/2          | 1 854      | 73.0 | PHG 4L730XP |
|         | 10         | 3/8   | 584        | 23.0        | PHG 3L230XP |         | 13         | 1/2  | 546         | 21.5 | PHG 4L215XP |         | 13         | 1/2          | 1 880      | 74.0 | PHG 4L740XP |
|         | 10         | 3/8   | 610        | 24.0        | PHG 3L240XP |         | 13         | 1/2  | 559         | 22.0 | PHG 4L220XP |         | 13         | 1/2          | 1 905      | 75.0 | PHG 4L750XP |
|         | 10         | 3/8   | 635        | 25.0        | PHG 3L250XP |         | 13         | 1/2  | 584         | 23.0 | PHG 4L230XP |         | 13         | 1/2          | 1 930      | 76.0 | PHG 4L760XP |
|         | 10         | 3/8   | 660        | 26.0        | PHG 3L260XP |         | 13         | 1/2  | 610         | 24.0 | PHG 4L240XP |         | 13         | 1/2          | 1 956      | 77.0 | PHG 4L770XP |
|         | 10         | 3/8   | 673        | 26.5        | PHG 3L265XP |         | 13         | 1/2  | 635         | 25.0 | PHG 4L250XP |         | 13         | 1/2          | 1 981      | 78.0 | PHG 4L780XP |
|         | 10         | 3/8   | 686        | 27.0        | PHG 3L270XP |         | 13         | 1/2  | 660         | 26.0 | PHG 4L260XP |         | 13         | 1/2          | 2 007      | 79.0 | PHG 4L790XP |
|         | 10         | 3/8   | 711        | 28.0        | PHG 3L280XP |         | 13         | 1/2  | 686         | 27.0 | PHG 4L270XP |         | 13         | 1/2          | 2 032      | 80.0 | PHG 4L800XP |
|         | 10         | 3/8   | 737        | 29.0        | PHG 3L290XP |         | 13         | 1/2  | 711         | 28.0 | PHG 4L280XP |         | 13         | 1/2          | 2 057      | 81.0 | PHG 4L810XP |
|         | 10         | 3/8   | 762        | 30.0        | PHG 3L300XP |         | 13         | 1/2  | 737         | 29.0 | PHG 4L290XP |         | 13         | 1/2          | 2 083      | 82.0 | PHG 4L820XP |
|         | 10         | 3/8   | 787        | 31.0        | PHG 3L310XP |         | 13         | 1/2  | 762         | 30.0 | PHG 4L300XP |         | 13         | 1/2          | 2 108      | 83.0 | PHG 4L830XP |
|         | 10         | 3/8   | 813        | 32.0        | PHG 3L320XP |         | 13         | 1/2  | 775         | 30.5 | PHG 4L305XP |         | 13         | 1/2          | 2 134      | 84.0 | PHG 4L840XP |
|         | 10         | 3/8   | 838        | 33.0        | PHG 3L330XP |         | 13         | 1/2  | 787         | 31.0 | PHG 4L310XP |         | 13         | 1/2          | 2 159      | 85.0 | PHG 4L850XP |
| 10      | 3/8        | 864   | 34.0       | PHG 3L340XP | 13          | 1/2     | 813        | 32.0 | PHG 4L320XP | 13   | 1/2         | 2 184   | 86.0       | PHG 4L860XP  |            |      |             |
| 10      | 3/8        | 889   | 35.0       | PHG 3L350XP | 13          | 1/2     | 838        | 33.0 | PHG 4L330XP | 13   | 1/2         | 2 210   | 87.0       | PHG 4L870XP  |            |      |             |
| 10      | 3/8        | 914   | 36.0       | PHG 3L360XP | 13          | 1/2     | 864        | 34.0 | PHG 4L340XP | 13   | 1/2         | 2 235   | 88.0       | PHG 4L880XP  |            |      |             |
| 10      | 3/8        | 940   | 37.0       | PHG 3L370XP | 13          | 1/2     | 889        | 35.0 | PHG 4L350XP | 13   | 1/2         | 2 261   | 89.0       | PHG 4L890XP  |            |      |             |
| 10      | 3/8        | 965   | 38.0       | PHG 3L380XP | 13          | 1/2     | 914        | 36.0 | PHG 4L360XP | 13   | 1/2         | 2 286   | 90.0       | PHG 4L900XP  |            |      |             |
| 10      | 3/8        | 991   | 39.0       | PHG 3L390XP | 13          | 1/2     | 940        | 37.0 | PHG 4L370XP | 13   | 1/2         | 2 311   | 91.0       | PHG 4L910XP  |            |      |             |
| 10      | 3/8        | 1 016 | 40.0       | PHG 3L400XP | 13          | 1/2     | 965        | 38.0 | PHG 4L380XP | 13   | 1/2         | 2 337   | 92.0       | PHG 4L920XP  |            |      |             |
| 10      | 3/8        | 1 041 | 41.0       | PHG 3L410XP | 13          | 1/2     | 991        | 39.0 | PHG 4L390XP | 13   | 1/2         | 2 362   | 93.0       | PHG 4L930XP  |            |      |             |
| 10      | 3/8        | 1 054 | 41.5       | PHG 3L415XP | 13          | 1/2     | 1 016      | 40.0 | PHG 4L400XP | 13   | 1/2         | 2 388   | 94.0       | PHG 4L940XP  |            |      |             |
| 10      | 3/8        | 1 067 | 42.0       | PHG 3L420XP | 13          | 1/2     | 1 029      | 40.5 | PHG 4L405XP | 13   | 1/2         | 2 413   | 95.0       | PHG 4L950XP  |            |      |             |
| 10      | 3/8        | 1 092 | 43.0       | PHG 3L430XP | 13          | 1/2     | 1 041      | 41.0 | PHG 4L410XP | 13   | 1/2         | 2 438   | 96.0       | PHG 4L960XP  |            |      |             |
| 10      | 3/8        | 1 118 | 44.0       | PHG 3L440XP | 13          | 1/2     | 1 067      | 42.0 | PHG 4L420XP | 13   | 1/2         | 2 464   | 97.0       | PHG 4L970XP  |            |      |             |
| 10      | 3/8        | 1 143 | 45.0       | PHG 3L450XP | 13          | 1/2     | 1 092      | 43.0 | PHG 4L430XP | 13   | 1/2         | 2 489   | 98.0       | PHG 4L980XP  |            |      |             |
| 10      | 3/8        | 1 168 | 46.0       | PHG 3L460XP | 13          | 1/2     | 1 118      | 44.0 | PHG 4L440XP | 13   | 1/2         | 2 515   | 99.0       | PHG 4L990XP  |            |      |             |
| 10      | 3/8        | 1 194 | 47.0       | PHG 3L470XP | 13          | 1/2     | 1 143      | 45.0 | PHG 4L450XP | 13   | 1/2         | 2 540   | 100.0      | PHG 4L1000XP |            |      |             |
| 10      | 3/8        | 1 219 | 48.0       | PHG 3L480XP | 13          | 1/2     | 1 168      | 46.0 | PHG 4L460XP | 13   | 1/2         | 2 565   | 101.0      | PHG 4L1010XP |            |      |             |
| 10      | 3/8        | 1 245 | 49.0       | PHG 3L490XP | 13          | 1/2     | 1 194      | 47.0 | PHG 4L470XP | 13   | 1/2         | 2 591   | 102.0      | PHG 4L1020XP |            |      |             |
| 10      | 3/8        | 1 270 | 50.0       | PHG 3L500XP | 13          | 1/2     | 1 219      | 48.0 | PHG 4L480XP | 13   | 1/2         | 2 616   | 103.0      | PHG 4L1030XP |            |      |             |
| 10      | 3/8        | 1 295 | 51.0       | PHG 3L510XP | 13          | 1/2     | 1 245      | 49.0 | PHG 4L490XP | 13   | 1/2         | 2 642   | 104.0      | PHG 4L1040XP |            |      |             |
| 10      | 3/8        | 1 321 | 52.0       | PHG 3L520XP | 13          | 1/2     | 1 270      | 50.0 | PHG 4L500XP | 13   | 1/2         | 2 667   | 105.0      | PHG 4L1050XP |            |      |             |
| 10      | 3/8        | 1 346 | 53.0       | PHG 3L530XP | 13          | 1/2     | 1 295      | 51.0 | PHG 4L510XP | 13   | 1/2         | 2 692   | 106.0      | PHG 4L1060XP |            |      |             |
| 10      | 3/8        | 1 372 | 54.0       | PHG 3L540XP | 13          | 1/2     | 1 321      | 52.0 | PHG 4L520XP | 13   | 1/2         | 2 718   | 107.0      | PHG 4L1070XP |            |      |             |
| 10      | 3/8        | 1 397 | 55.0       | PHG 3L550XP | 13          | 1/2     | 1 346      | 53.0 | PHG 4L530XP | 13   | 1/2         | 2 743   | 108.0      | PHG 4L1080XP |            |      |             |
| 10      | 3/8        | 1 422 | 56.0       | PHG 3L560XP | 13          | 1/2     | 1 372      | 54.0 | PHG 4L540XP | 13   | 1/2         | 2 769   | 109.0      | PHG 4L1090XP |            |      |             |
| 10      | 3/8        | 1 448 | 57.0       | PHG 3L570XP | 13          | 1/2     | 1 397      | 55.0 | PHG 4L550XP | 13   | 1/2         | 2 794   | 110.0      | PHG 4L1100XP |            |      |             |
| 10      | 3/8        | 1 473 | 58.0       | PHG 3L580XP | 13          | 1/2     | 1 422      | 56.0 | PHG 4L560XP | 13   | 1/2         | 2 819   | 111.0      | PHG 4L1110XP |            |      |             |
| 10      | 3/8        | 1 499 | 59.0       | PHG 3L590XP | 13          | 1/2     | 1 448      | 57.0 | PHG 4L570XP | 13   | 1/2         | 2 845   | 112.0      | PHG 4L1120XP |            |      |             |
| 10      | 3/8        | 1 524 | 60.0       | PHG 3L600XP | 13          | 1/2     | 1 473      | 58.0 | PHG 4L580XP | 13   | 1/2         | 2 870   | 113.0      | PHG 4L1130XP |            |      |             |
| 10      | 3/8        | 1 549 | 61.0       | PHG 3L610XP | 13          | 1/2     | 1 499      | 59.0 | PHG 4L590XP | 13   | 1/2         | 2 896   | 114.0      | PHG 4L1140XP |            |      |             |
| 10      | 3/8        | 1 575 | 62.0       | PHG 3L620XP | 13          | 1/2     | 1 524      | 60.0 | PHG 4L600XP | 13   | 1/2         | 2 946   | 116.0      | PHG 4L1160XP |            |      |             |
| 10      | 3/8        | 1 600 | 63.0       | PHG 3L630XP | 13          | 1/2     | 1 549      | 61.0 | PHG 4L610XP | 13   | 1/2         | 2 972   | 117.0      | PHG 4L1170XP |            |      |             |
| 10      | 3/8        | 1 753 | 69.0       | PHG 3L690XP | 13          | 1/2     | 1 575      | 62.0 | PHG 4L620XP | 13   | 1/2         | 3 048   | 120.0      | PHG 4L1200XP |            |      |             |
| 10      | 3/8        | 1 803 | 71.0       | PHG 3L710XP | 13          | 1/2     | 1 600      | 63.0 | PHG 4L630XP | 13   | 1/2         | 3 353   | 132.0      | PHG 4L1320XP |            |      |             |
| 10      | 3/8        | 1 880 | 74.0       | PHG 3L740XP | 13          | 1/2     | 1 626      | 64.0 | PHG 4L640XP |      |             |         |            |              |            |      |             |
| 10      | 3/8        | 1 905 | 75.0       | PHG 3L750XP | 13          | 1/2     | 1 651      | 65.0 | PHG 4L650XP |      |             |         |            |              |            |      |             |
|         |            |       |            |             |             |         |            |      |             |      |             | 5L      | 17         | 5/8          | 584        | 23.0 | PHG 5L230XP |

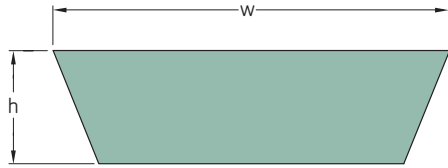
SKF XP Lawn and Garden v-belts

5L

| Section | Dimensions |     | OD: Length |      | Designation | Section | Dimensions |     | OD: Length |       | Designation  |
|---------|------------|-----|------------|------|-------------|---------|------------|-----|------------|-------|--------------|
|         | Width      |     | mm         | in.  |             |         | mm         | in. | mm         | in.   |              |
| 5L      | 17         | 5/8 | 610        | 24.0 | PHG 5L240XP | 5L      | 17         | 5/8 | 2 540      | 100.0 | PHG 5L1000XP |
|         | 17         | 5/8 | 635        | 25.0 | PHG 5L250XP |         | 17         | 5/8 | 2 565      | 101.0 | PHG 5L1010XP |
|         | 17         | 5/8 | 660        | 26.0 | PHG 5L260XP |         | 17         | 5/8 | 2 591      | 102.0 | PHG 5L1020XP |
|         | 17         | 5/8 | 686        | 27.0 | PHG 5L270XP |         | 17         | 5/8 | 2 616      | 103.0 | PHG 5L1030XP |
|         | 17         | 5/8 | 711        | 28.0 | PHG 5L280XP |         | 17         | 5/8 | 2 642      | 104.0 | PHG 5L1040XP |
|         | 17         | 5/8 | 737        | 29.0 | PHG 5L290XP |         | 17         | 5/8 | 2 667      | 105.0 | PHG 5L1050XP |
|         | 17         | 5/8 | 762        | 30.0 | PHG 5L300XP |         | 17         | 5/8 | 2 692      | 106.0 | PHG 5L1060XP |
|         | 17         | 5/8 | 787        | 31.0 | PHG 5L310XP |         | 17         | 5/8 | 2 718      | 107.0 | PHG 5L1070XP |
|         | 17         | 5/8 | 813        | 32.0 | PHG 5L320XP |         | 17         | 5/8 | 2 743      | 108.0 | PHG 5L1080XP |
|         | 17         | 5/8 | 838        | 33.0 | PHG 5L330XP |         | 17         | 5/8 | 2 769      | 109.0 | PHG 5L1090XP |
|         | 17         | 5/8 | 864        | 34.0 | PHG 5L340XP |         | 17         | 5/8 | 2 845      | 112.0 | PHG 5L1120XP |
|         | 17         | 5/8 | 889        | 35.0 | PHG 5L350XP |         | 17         | 5/8 | 2 896      | 114.0 | PHG 5L1140XP |
|         | 17         | 5/8 | 914        | 36.0 | PHG 5L360XP |         | 17         | 5/8 | 2 997      | 118.0 | PHG 5L1180XP |
|         | 17         | 5/8 | 940        | 37.0 | PHG 5L370XP |         | 17         | 5/8 | 3 048      | 120.0 | PHG 5L1200XP |
|         | 17         | 5/8 | 965        | 38.0 | PHG 5L380XP |         | 17         | 5/8 | 3 099      | 122.0 | PHG 5L1220XP |
|         | 17         | 5/8 | 991        | 39.0 | PHG 5L390XP |         | 17         | 5/8 | 3 150      | 124.0 | PHG 5L1240XP |
|         | 17         | 5/8 | 1 016      | 40.0 | PHG 5L400XP |         | 17         | 5/8 | 3 200      | 126.0 | PHG 5L1260XP |
|         | 17         | 5/8 | 1 041      | 41.0 | PHG 5L410XP |         | 17         | 5/8 | 3 251      | 128.0 | PHG 5L1280XP |
|         | 17         | 5/8 | 1 067      | 42.0 | PHG 5L420XP |         | 17         | 5/8 | 3 302      | 130.0 | PHG 5L1300XP |
|         | 17         | 5/8 | 1 092      | 43.0 | PHG 5L430XP |         | 17         | 5/8 | 3 353      | 132.0 | PHG 5L1320XP |
|         | 17         | 5/8 | 1 118      | 44.0 | PHG 5L440XP |         | 17         | 5/8 | 3 404      | 134.0 | PHG 5L1340XP |
|         | 17         | 5/8 | 1 143      | 45.0 | PHG 5L450XP |         | 17         | 5/8 | 3 454      | 136.0 | PHG 5L1360XP |
|         | 17         | 5/8 | 1 168      | 46.0 | PHG 5L460XP |         | 17         | 5/8 | 3 505      | 138.0 | PHG 5L1380XP |
|         | 17         | 5/8 | 1 194      | 47.0 | PHG 5L470XP |         | 17         | 5/8 | 3 556      | 140.0 | PHG 5L1400XP |
|         | 17         | 5/8 | 1 219      | 48.0 | PHG 5L480XP |         |            |     |            |       |              |
|         | 17         | 5/8 | 1 245      | 49.0 | PHG 5L490XP |         |            |     |            |       |              |
|         | 17         | 5/8 | 1 270      | 50.0 | PHG 5L500XP |         |            |     |            |       |              |
|         | 17         | 5/8 | 1 295      | 51.0 | PHG 5L510XP |         |            |     |            |       |              |
|         | 17         | 5/8 | 1 321      | 52.0 | PHG 5L520XP |         |            |     |            |       |              |
|         | 17         | 5/8 | 1 346      | 53.0 | PHG 5L530XP |         |            |     |            |       |              |
|         | 17         | 5/8 | 1 372      | 54.0 | PHG 5L540XP |         |            |     |            |       |              |
|         | 17         | 5/8 | 1 397      | 55.0 | PHG 5L550XP |         |            |     |            |       |              |
|         | 17         | 5/8 | 1 422      | 56.0 | PHG 5L560XP |         |            |     |            |       |              |
|         | 17         | 5/8 | 1 448      | 57.0 | PHG 5L570XP |         |            |     |            |       |              |
|         | 17         | 5/8 | 1 473      | 58.0 | PHG 5L580XP |         |            |     |            |       |              |
|         | 17         | 5/8 | 1 499      | 59.0 | PHG 5L590XP |         |            |     |            |       |              |
|         | 17         | 5/8 | 1 524      | 60.0 | PHG 5L600XP |         |            |     |            |       |              |
|         | 17         | 5/8 | 1 549      | 61.0 | PHG 5L610XP |         |            |     |            |       |              |
|         | 17         | 5/8 | 1 575      | 62.0 | PHG 5L620XP |         |            |     |            |       |              |
|         | 17         | 5/8 | 1 600      | 63.0 | PHG 5L630XP |         |            |     |            |       |              |
|         | 17         | 5/8 | 1 626      | 64.0 | PHG 5L640XP |         |            |     |            |       |              |
|         | 17         | 5/8 | 1 651      | 65.0 | PHG 5L650XP |         |            |     |            |       |              |
|         | 17         | 5/8 | 1 676      | 66.0 | PHG 5L660XP |         |            |     |            |       |              |
|         | 17         | 5/8 | 1 702      | 67.0 | PHG 5L670XP |         |            |     |            |       |              |
|         | 17         | 5/8 | 1 727      | 68.0 | PHG 5L680XP |         |            |     |            |       |              |
|         | 17         | 5/8 | 1 753      | 69.0 | PHG 5L690XP |         |            |     |            |       |              |
|         | 17         | 5/8 | 1 778      | 70.0 | PHG 5L700XP |         |            |     |            |       |              |
|         | 17         | 5/8 | 1 803      | 71.0 | PHG 5L710XP |         |            |     |            |       |              |
|         | 17         | 5/8 | 1 829      | 72.0 | PHG 5L720XP |         |            |     |            |       |              |
|         | 17         | 5/8 | 1 854      | 73.0 | PHG 5L730XP |         |            |     |            |       |              |
|         | 17         | 5/8 | 1 880      | 74.0 | PHG 5L740XP |         |            |     |            |       |              |
|         | 17         | 5/8 | 1 905      | 75.0 | PHG 5L750XP |         |            |     |            |       |              |
|         | 17         | 5/8 | 1 930      | 76.0 | PHG 5L760XP |         |            |     |            |       |              |
|         | 17         | 5/8 | 1 956      | 77.0 | PHG 5L770XP |         |            |     |            |       |              |
|         | 17         | 5/8 | 1 981      | 78.0 | PHG 5L780XP |         |            |     |            |       |              |
|         | 17         | 5/8 | 2 007      | 79.0 | PHG 5L790XP |         |            |     |            |       |              |
|         | 17         | 5/8 | 2 032      | 80.0 | PHG 5L800XP |         |            |     |            |       |              |
|         | 17         | 5/8 | 2 057      | 81.0 | PHG 5L810XP |         |            |     |            |       |              |
|         | 17         | 5/8 | 2 083      | 82.0 | PHG 5L820XP |         |            |     |            |       |              |
|         | 17         | 5/8 | 2 108      | 83.0 | PHG 5L830XP |         |            |     |            |       |              |
|         | 17         | 5/8 | 2 134      | 84.0 | PHG 5L840XP |         |            |     |            |       |              |
|         | 17         | 5/8 | 2 159      | 85.0 | PHG 5L850XP |         |            |     |            |       |              |
|         | 17         | 5/8 | 2 184      | 86.0 | PHG 5L860XP |         |            |     |            |       |              |
|         | 17         | 5/8 | 2 210      | 87.0 | PHG 5L870XP |         |            |     |            |       |              |
|         | 17         | 5/8 | 2 235      | 88.0 | PHG 5L880XP |         |            |     |            |       |              |
|         | 17         | 5/8 | 2 261      | 89.0 | PHG 5L890XP |         |            |     |            |       |              |
|         | 17         | 5/8 | 2 286      | 90.0 | PHG 5L900XP |         |            |     |            |       |              |
|         | 17         | 5/8 | 2 311      | 91.0 | PHG 5L910XP |         |            |     |            |       |              |
|         | 17         | 5/8 | 2 337      | 92.0 | PHG 5L920XP |         |            |     |            |       |              |
|         | 17         | 5/8 | 2 362      | 93.0 | PHG 5L930XP |         |            |     |            |       |              |
|         | 17         | 5/8 | 2 388      | 94.0 | PHG 5L940XP |         |            |     |            |       |              |
|         | 17         | 5/8 | 2 413      | 95.0 | PHG 5L950XP |         |            |     |            |       |              |
|         | 17         | 5/8 | 2 438      | 96.0 | PHG 5L960XP |         |            |     |            |       |              |
|         | 17         | 5/8 | 2 464      | 97.0 | PHG 5L970XP |         |            |     |            |       |              |
|         | 17         | 5/8 | 2 489      | 98.0 | PHG 5L980XP |         |            |     |            |       |              |
|         | 17         | 5/8 | 2 515      | 99.0 | PHG 5L990XP |         |            |     |            |       |              |

Variable speed belts

VS



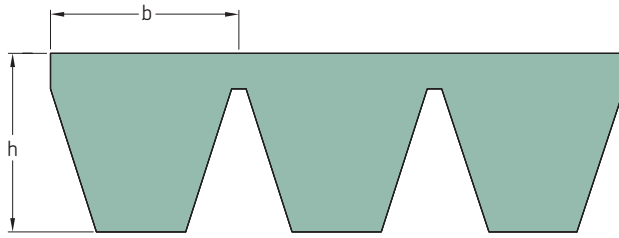
| Section | Number of ribs | Dimensions   |       | Inside length | w  |    | h | Designation      |
|---------|----------------|--------------|-------|---------------|----|----|---|------------------|
|         |                | Pitch length |       |               |    |    |   |                  |
| -       | -              | mm           | in.   | mm            | -  | -  | - | -                |
| VS      | 1              | 496          | 19.53 | 476           | 17 | 5  |   | PHG VS17X5X476   |
|         |                | 556          | 21.89 | 536           | 17 | 5  |   | PHG VS17X5X536   |
|         |                | 590          | 23.23 | 570           | 17 | 5  |   | PHG VS17X5X570   |
|         |                | 626          | 24.65 | 606           | 17 | 5  |   | PHG VS17X5X606   |
|         |                | 796          | 31.34 | 776           | 17 | 5  |   | PHG VS17X5X776   |
|         |                | 620          | 24.41 | 600           | 21 | 6  |   | PHG VS21X6X600   |
|         |                | 630          | 24.80 | 610           | 21 | 6  |   | PHG VS21X6X610   |
|         |                | 695          | 27.36 | 675           | 21 | 6  |   | PHG VS21X6X675   |
|         |                | 790          | 31.10 | 770           | 21 | 6  |   | PHG VS21X6X770   |
|         |                | 556          | 21.89 | 525           | 22 | 8  |   | PHG VS22X8X525   |
|         |                | 596          | 23.46 | 565           | 22 | 8  |   | PHG VS22X8X565   |
|         |                | 681          | 26.81 | 650           | 22 | 8  |   | PHG VS22X8X650   |
|         |                | 731          | 28.78 | 700           | 22 | 8  |   | PHG VS22X8X700   |
|         |                | 781          | 30.75 | 750           | 22 | 8  |   | PHG VS22X8X750   |
|         |                | 831          | 32.72 | 800           | 22 | 8  |   | PHG VS22X8X800   |
|         |                | 881          | 34.69 | 850           | 22 | 8  |   | PHG VS22X8X850   |
|         |                | 931          | 36.65 | 900           | 22 | 8  |   | PHG VS22X8X900   |
|         |                | 981          | 38.62 | 950           | 22 | 8  |   | PHG VS22X8X950   |
|         |                | 1 031        | 40.59 | 1 000         | 22 | 8  |   | PHG VS22X8X1000  |
|         |                | 686          | 27.01 | 655           | 26 | 8  |   | PHG VS26X8X655   |
|         |                | 703          | 27.68 | 672           | 26 | 8  |   | PHG VS26X8X672   |
|         |                | 781          | 30.75 | 750           | 26 | 8  |   | PHG VS26X8X750   |
|         |                | 793          | 31.22 | 762           | 26 | 8  |   | PHG VS26X8X762   |
|         |                | 831          | 32.72 | 800           | 26 | 8  |   | PHG VS26X8X800   |
|         |                | 893          | 35.16 | 862           | 26 | 8  |   | PHG VS26X8X862   |
|         |                | 993          | 39.09 | 962           | 26 | 8  |   | PHG VS26X8X962   |
|         |                | 631          | 24.84 | 600           | 28 | 8  |   | PHG VS28X8X600   |
|         |                | 681          | 26.81 | 650           | 28 | 8  |   | PHG VS28X8X650   |
|         |                | 731          | 28.78 | 700           | 28 | 8  |   | PHG VS28X8X700   |
|         |                | 781          | 30.75 | 750           | 28 | 8  |   | PHG VS28X8X750   |
|         |                | 831          | 32.72 | 800           | 28 | 8  |   | PHG VS28X8X800   |
|         |                | 881          | 34.69 | 850           | 28 | 8  |   | PHG VS28X8X850   |
|         |                | 931          | 36.65 | 900           | 28 | 8  |   | PHG VS28X8X900   |
|         |                | 981          | 38.62 | 950           | 28 | 8  |   | PHG VS28X8X950   |
|         |                | 1 031        | 40.59 | 1 000         | 28 | 8  |   | PHG VS28X8X1000  |
|         |                | 1 151        | 45.31 | 1 120         | 28 | 8  |   | PHG VS28X8X1120  |
|         |                | 692          | 27.24 | 650           | 30 | 10 |   | PHG VS30X10X650  |
|         |                | 842          | 33.15 | 800           | 30 | 10 |   | PHG VS30X10X800  |
|         |                | 892          | 35.12 | 850           | 30 | 10 |   | PHG VS30X10X850  |
|         |                | 942          | 37.09 | 900           | 30 | 10 |   | PHG VS30X10X900  |
|         |                | 992          | 39.06 | 950           | 30 | 10 |   | PHG VS30X10X950  |
|         |                | 1 042        | 41.02 | 1 000         | 30 | 10 |   | PHG VS30X10X1000 |
|         |                | 1 162        | 45.75 | 1 120         | 30 | 10 |   | PHG VS30X10X1120 |
|         |                | 1 242        | 48.90 | 1 200         | 30 | 10 |   | PHG VS30X10X1200 |
|         |                | 1 542        | 60.71 | 1 500         | 30 | 10 |   | PHG VS30X10X1500 |
|         |                | 792          | 31.18 | 750           | 32 | 10 |   | PHG VS32X10X750  |
|         |                | 832          | 32.76 | 790           | 32 | 10 |   | PHG VS32X10X790  |
|         |                | 862          | 33.94 | 820           | 32 | 10 |   | PHG VS32X10X820  |
|         |                | 892          | 35.12 | 850           | 32 | 10 |   | PHG VS32X10X850  |
|         |                | 942          | 37.09 | 900           | 32 | 10 |   | PHG VS32X10X900  |
|         |                | 992          | 39.06 | 992           | 32 | 10 |   | PHG VS32X10X992  |
|         |                | 1 042        | 41.02 | 1 000         | 32 | 10 |   | PHG VS32X10X1000 |
|         |                | 1 115        | 43.90 | 1 073         | 32 | 10 |   | PHG VS32X10X1073 |
|         |                | 1 162        | 45.75 | 1 120         | 32 | 10 |   | PHG VS32X10X1120 |
|         |                | 1 222        | 48.11 | 1 180         | 32 | 10 |   | PHG VS32X10X1180 |

| Section | Number of ribs | Dimensions   |       | Inside length | w  |    | h | Designation      |
|---------|----------------|--------------|-------|---------------|----|----|---|------------------|
|         |                | Pitch length |       |               |    |    |   |                  |
| -       | -              | mm           | in.   | mm            | -  | -  | - | -                |
| VS      | 1              | 1 242        | 48.90 | 1 200         | 32 | 10 |   | PHG VS32X10X1200 |
|         |                | 702          | 27.64 | 660           | 37 | 10 |   | PHG VS37X10X660  |
|         |                | 842          | 33.15 | 800           | 37 | 10 |   | PHG VS37X10X800  |
|         |                | 892          | 35.12 | 850           | 37 | 10 |   | PHG VS37X10X850  |
|         |                | 942          | 37.09 | 900           | 37 | 10 |   | PHG VS37X10X900  |
|         |                | 992          | 39.06 | 950           | 37 | 10 |   | PHG VS37X10X950  |
|         |                | 1 042        | 41.02 | 1 000         | 37 | 10 |   | PHG VS37X10X1000 |
|         |                | 1 102        | 43.39 | 1 060         | 37 | 10 |   | PHG VS37X10X1060 |
|         |                | 1 162        | 45.75 | 1 120         | 37 | 10 |   | PHG VS37X10X1120 |
|         |                | 1 222        | 48.11 | 1 180         | 37 | 10 |   | PHG VS37X10X1180 |
|         |                | 1 442        | 56.77 | 1 400         | 37 | 10 |   | PHG VS37X10X1400 |
|         |                | 1 542        | 60.71 | 1 500         | 37 | 10 |   | PHG VS37X10X1500 |
|         |                | 1 642        | 64.65 | 1 600         | 37 | 10 |   | PHG VS37X10X1600 |
|         |                | 978          | 38.50 | 925           | 41 | 13 |   | PHG VS41X13X925  |
|         |                | 1 053        | 41.46 | 1 000         | 41 | 13 |   | PHG VS41X13X1000 |
|         |                | 1 093        | 43.03 | 1 040         | 41 | 13 |   | PHG VS41X13X1040 |
|         |                | 1 113        | 43.82 | 1 060         | 41 | 13 |   | PHG VS41X13X1060 |
|         |                | 1 173        | 46.18 | 1 120         | 41 | 13 |   | PHG VS41X13X1120 |
|         |                | 1 233        | 48.54 | 1 180         | 41 | 13 |   | PHG VS41X13X1180 |
|         |                | 1 303        | 51.30 | 1 250         | 41 | 13 |   | PHG VS41X13X1250 |
|         |                | 1 393        | 54.84 | 1 340         | 41 | 13 |   | PHG VS41X13X1340 |
|         |                | 1 493        | 58.78 | 1 440         | 41 | 13 |   | PHG VS41X13X1440 |
|         |                | 1 653        | 65.08 | 1 600         | 41 | 13 |   | PHG VS41X13X1600 |
|         |                | 1 793        | 70.59 | 1 740         | 41 | 13 |   | PHG VS41X13X1740 |
|         |                | 1 053        | 41.46 | 1 000         | 47 | 13 |   | PHG VS47X13X1000 |
|         |                | 1 113        | 43.82 | 1 060         | 47 | 13 |   | PHG VS47X13X1060 |
|         |                | 1 173        | 46.18 | 1 120         | 47 | 13 |   | PHG VS47X13X1120 |
|         |                | 1 233        | 48.54 | 1 180         | 47 | 13 |   | PHG VS47X13X1180 |
|         |                | 1 303        | 51.30 | 1 250         | 47 | 13 |   | PHG VS47X13X1250 |
|         |                | 1 373        | 54.06 | 1 320         | 47 | 13 |   | PHG VS47X13X1320 |
|         |                | 1 453        | 57.20 | 1 400         | 47 | 13 |   | PHG VS47X13X1400 |
|         |                | 1 553        | 61.14 | 1 500         | 47 | 13 |   | PHG VS47X13X1500 |
|         |                | 1 653        | 65.08 | 1 600         | 47 | 13 |   | PHG VS47X13X1600 |
|         |                | 1 753        | 69.02 | 1 700         | 47 | 13 |   | PHG VS47X13X1700 |
|         |                | 1 853        | 72.95 | 1 800         | 47 | 13 |   | PHG VS47X13X1800 |
|         |                | 1 233        | 48.54 | 1 180         | 52 | 16 |   | PHG VS52X16X1180 |
|         |                | 1 303        | 51.30 | 1 250         | 52 | 16 |   | PHG VS52X16X1250 |
|         |                | 1 453        | 57.20 | 1 400         | 52 | 16 |   | PHG VS52X16X1400 |
|         |                | 1 578        | 62.13 | 1 525         | 52 | 16 |   | PHG VS52X16X1525 |
|         |                | 1 653        | 65.08 | 1 600         | 52 | 16 |   | PHG VS52X16X1600 |
|         |                | 1 978        | 77.87 | 1 925         | 52 | 16 |   | PHG VS52X16X1925 |
|         |                | 1 453        | 57.20 | 1 400         | 55 | 16 |   | PHG VS55X16X1400 |
|         |                | 1 553        | 61.14 | 1 500         | 55 | 16 |   | PHG VS55X16X1500 |
|         |                | 1 653        | 65.08 | 1 600         | 55 | 16 |   | PHG VS55X16X1600 |
|         |                | 1 753        | 69.02 | 1 700         | 55 | 16 |   | PHG VS55X16X1700 |
|         |                | 1 853        | 72.95 | 1 800         | 55 | 16 |   | PHG VS55X16X1800 |
|         |                | 1 772        | 69.76 | 1 706         | 65 | 20 |   | PHG VS65X20X1706 |
|         |                | 1 972        | 77.64 | 1 906         | 65 | 20 |   | PHG VS65X20X1906 |
|         |                | 1 666        | 65.59 | 1 600         | 70 | 18 |   | PHG VS70X18X1600 |
|         |                | 1 766        | 69.53 | 1 700         | 70 | 18 |   | PHG VS70X18X1700 |
|         |                | 1 866        | 73.46 | 1 800         | 70 | 18 |   | PHG VS70X18X1800 |
|         |                | 1 966        | 77.40 | 1 900         | 70 | 18 |   | PHG VS70X18X1900 |
|         |                | 2 066        | 81.34 | 2 000         | 70 | 18 |   | PHG VS70X18X2000 |

Non-standard lengths may also be available.

# SKF Banded Wedge Belts

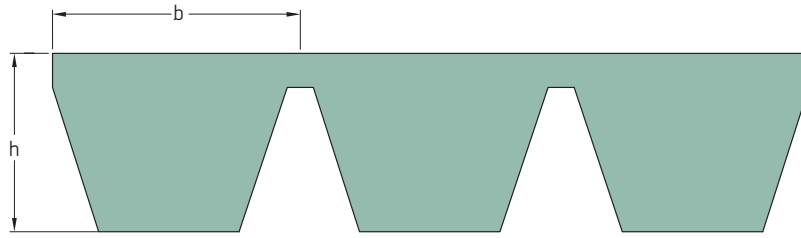
SPA | SPB | SPC



| Section | Dimensions   |      |                 | Designation     | Section | Dimensions   |      |      | Designation      |
|---------|--------------|------|-----------------|-----------------|---------|--------------|------|------|------------------|
|         | Pitch length | b    | h               |                 |         | Pitch length | b    | h    |                  |
| –       | mm           | –    | –               | –               | mm      | –            | –    | –    |                  |
| SPA     | 1 250        | 12,8 | 12,0            | PHG SPA1250X... | SPC     | 4 500        | 22,0 | 22,6 | PHG SPC4500X...  |
|         | 1 400        | 12,8 | 12,0            | PHG SPA1400X... |         | 4 750        | 22,0 | 22,6 | PHG SPC4750X...  |
|         | 1 500        | 12,8 | 12,0            | PHG SPA1500X... |         | 5 000        | 22,0 | 22,6 | PHG SPC5000X...  |
|         | 1 600        | 12,8 | 12,0            | PHG SPA1600X... |         | 5 300        | 22,0 | 22,6 | PHG SPC5300X...  |
|         | 1 700        | 12,8 | 12,0            | PHG SPA1700X... |         | 5 600        | 22,0 | 22,6 | PHG SPC5600X...  |
|         | 1 800        | 12,8 | 12,0            | PHG SPA1800X... |         | 6 000        | 22,0 | 22,6 | PHG SPC6000X...  |
|         | 1 900        | 12,8 | 12,0            | PHG SPA1900X... |         | 6 300        | 22,0 | 22,6 | PHG SPC6300X...  |
|         | 2 000        | 12,8 | 12,0            | PHG SPA2000X... |         | 6 700        | 22,0 | 22,6 | PHG SPC6700X...  |
|         | 2 120        | 12,8 | 12,0            | PHG SPA2120X... |         | 7 100        | 22,0 | 22,6 | PHG SPC7100X...  |
|         | 2 240        | 12,8 | 12,0            | PHG SPA2240X... |         | 7 500        | 22,0 | 22,6 | PHG SPC7500X...  |
|         | 2 360        | 12,8 | 12,0            | PHG SPA2360X... |         | 8 000        | 22,0 | 22,6 | PHG SPC8000X...  |
|         | 2 500        | 12,8 | 12,0            | PHG SPA2500X... |         | 8 500        | 22,0 | 22,6 | PHG SPC8500X...  |
|         | 2 650        | 12,8 | 12,0            | PHG SPA2650X... |         | 9 000        | 22,0 | 22,6 | PHG SPC9000X...  |
|         | 2 800        | 12,8 | 12,0            | PHG SPA2800X... |         | 9 500        | 22,0 | 22,6 | PHG SPC9500X...  |
|         | 3 000        | 12,8 | 12,0            | PHG SPA3000X... |         | 10 000       | 22,0 | 22,6 | PHG SPC10000X... |
|         | 3 150        | 12,8 | 12,0            | PHG SPA3150X... |         | 10 600       | 22,0 | 22,6 | PHG SPC10600X... |
|         | 3 350        | 12,8 | 12,0            | PHG SPA3350X... |         | 11 200       | 22,0 | 22,6 | PHG SPC11200X... |
|         | 3 550        | 12,8 | 12,0            | PHG SPA3550X... |         | 11 800       | 22,0 | 22,6 | PHG SPC11800X... |
|         | 3 750        | 12,8 | 12,0            | PHG SPA3750X... |         | 12 500       | 22,0 | 22,6 | PHG SPC12500X... |
|         | 4 000        | 12,8 | 12,0            | PHG SPA4000X... |         |              |      |      |                  |
| 4 250   | 12,8         | 12,0 | PHG SPA4250X... |                 |         |              |      |      |                  |
| 4 500   | 12,8         | 12,0 | PHG SPA4500X... |                 |         |              |      |      |                  |
| SPB     | 2 000        | 16,5 | 15,6            | PHG SPB2000X... |         |              |      |      |                  |
|         | 2 120        | 16,5 | 15,6            | PHG SPB2120X... |         |              |      |      |                  |
|         | 2 240        | 16,5 | 15,6            | PHG SPB2240X... |         |              |      |      |                  |
|         | 2 360        | 16,5 | 15,6            | PHG SPB2360X... |         |              |      |      |                  |
|         | 2 500        | 16,5 | 15,6            | PHG SPB2500X... |         |              |      |      |                  |
|         | 2 650        | 16,5 | 15,6            | PHG SPB2650X... |         |              |      |      |                  |
|         | 2 800        | 16,5 | 15,6            | PHG SPB2800X... |         |              |      |      |                  |
|         | 3 000        | 16,5 | 15,6            | PHG SPB3000X... |         |              |      |      |                  |
|         | 3 150        | 16,5 | 15,6            | PHG SPB3150X... |         |              |      |      |                  |
|         | 3 350        | 16,5 | 15,6            | PHG SPB3350X... |         |              |      |      |                  |
|         | 3 550        | 16,5 | 15,6            | PHG SPB3550X... |         |              |      |      |                  |
|         | 3 750        | 16,5 | 15,6            | PHG SPB3750X... |         |              |      |      |                  |
|         | 4 000        | 16,5 | 15,6            | PHG SPB4000X... |         |              |      |      |                  |
|         | 4 250        | 16,5 | 15,6            | PHG SPB4250X... |         |              |      |      |                  |
|         | 4 500        | 16,5 | 15,6            | PHG SPB4500X... |         |              |      |      |                  |
|         | 4 750        | 16,5 | 15,6            | PHG SPB4750X... |         |              |      |      |                  |
|         | 5 000        | 16,5 | 15,6            | PHG SPB5000X... |         |              |      |      |                  |
|         | 5 300        | 16,5 | 15,6            | PHG SPB5300X... |         |              |      |      |                  |
|         | 5 600        | 16,5 | 15,6            | PHG SPB5600X... |         |              |      |      |                  |
|         | 6 000        | 16,5 | 15,6            | PHG SPB6000X... |         |              |      |      |                  |
| 6 300   | 16,5         | 15,6 | PHG SPB6300X... |                 |         |              |      |      |                  |
| 6 700   | 16,5         | 15,6 | PHG SPB6700X... |                 |         |              |      |      |                  |
| 7 100   | 16,5         | 15,6 | PHG SPB7100X... |                 |         |              |      |      |                  |
| 7 500   | 16,5         | 15,6 | PHG SPB7500X... |                 |         |              |      |      |                  |
| 8 000   | 16,5         | 15,6 | PHG SPB8000X... |                 |         |              |      |      |                  |
| SPC     | 3 000        | 22,0 | 22,6            | PHG SPC3000X... |         |              |      |      |                  |
|         | 3 150        | 22,0 | 22,6            | PHG SPC3150X... |         |              |      |      |                  |
|         | 3 350        | 22,0 | 22,6            | PHG SPC3350X... |         |              |      |      |                  |
|         | 3 550        | 22,0 | 22,6            | PHG SPC3550X... |         |              |      |      |                  |
|         | 3 750        | 22,0 | 22,6            | PHG SPC3750X... |         |              |      |      |                  |
|         | 4 000        | 22,0 | 22,6            | PHG SPC4000X... |         |              |      |      |                  |
|         | 4 250        | 22,0 | 22,6            | PHG SPC4250X... |         |              |      |      |                  |
|         |              |      |                 |                 |         |              |      |      |                  |

Non-standard lengths are also available.  
To complete designation, add number of bands. For example PHG SPC8000X4.

**SKF Banded Classical Belts**  
 13/A | 17/B | 22/C | 32/D



| Section | Dimensions   |               | Designation |              |               |
|---------|--------------|---------------|-------------|--------------|---------------|
|         | Pitch length | Inside length | b           | h            |               |
| –       | mm           | in.           | mm          | –            |               |
| 13/A    | 1 230        | 47.0          | 13          | 9,9          | PHG A47X...   |
|         | 1 330        | 51.0          | 13          | 9,9          | PHG A51X...   |
|         | 1 460        | 56.0          | 13          | 9,9          | PHG A56X...   |
|         | 1 480        | 57.0          | 13          | 9,9          | PHG A57X...   |
|         | 1 530        | 59.0          | 13          | 9,9          | PHG A59X...   |
|         | 1 660        | 64.0          | 13          | 9,9          | PHG A64X...   |
|         | 1 740        | 67.0          | 13          | 9,9          | PHG A67X...   |
|         | 1 840        | 71.0          | 13          | 9,9          | PHG A71X...   |
|         | 1 940        | 75.0          | 13          | 9,9          | PHG A75X...   |
|         | 2 050        | 79.0          | 13          | 9,9          | PHG A79X...   |
|         | 2 270        | 88.0          | 13          | 9,9          | PHG A88X...   |
|         | 2 520        | 98.0          | 13          | 9,9          | PHG A98X...   |
|         | 2 570        | 100.0         | 13          | 9,9          | PHG A100X...  |
|         | 2 680        | 104.0         | 13          | 9,9          | PHG A104X...  |
|         | 2 880        | 112.0         | 13          | 9,9          | PHG A112X...  |
|         | 3 080        | 120.0         | 13          | 9,9          | PHG A120X...  |
|         | 3 290        | 128.0         | 13          | 9,9          | PHG A128X...  |
|         | 3 690        | 144.0         | 13          | 9,9          | PHG A144X...  |
|         | 4 043        | 158.0         | 13          | 9,9          | PHG A158X...  |
|         | 4 270        | 167.0         | 13          | 9,9          | PHG A167X...  |
| 4 780   | 187.0        | 13            | 9,9         | PHG A187X... |               |
| 17/B    | 1 240        | 47.0          | 17          | 13,0         | PHG B47X...   |
|         | 1 340        | 51.0          | 17          | 13,0         | PHG B51X...   |
|         | 1 440        | 55.0          | 17          | 13,0         | PHG B55X...   |
|         | 1 540        | 59.0          | 17          | 13,0         | PHG B59X...   |
|         | 1 590        | 61.0          | 17          | 13,0         | PHG B61X...   |
|         | 1 640        | 63.0          | 17          | 13,0         | PHG B63X...   |
|         | 1 670        | 64.0          | 17          | 13,0         | PHG B64X...   |
|         | 1 740        | 67.0          | 17          | 13,0         | PHG B67X...   |
|         | 1 850        | 71.0          | 17          | 13,0         | PHG B71X...   |
|         | 1 900        | 73.0          | 17          | 13,0         | PHG B73X...   |
|         | 1 950        | 75.0          | 17          | 13,0         | PHG B75X...   |
|         | 2 050        | 79.0          | 17          | 13,0         | PHG B79X...   |
|         | 2 150        | 83.0          | 17          | 13,0         | PHG B83X...   |
|         | 2 280        | 88.0          | 17          | 13,0         | PHG B88X...   |
|         | 2 350        | 91.0          | 17          | 13,0         | PHG B91X...   |
|         | 2 435        | 94.5          | 17          | 13,0         | PHG B94.5X... |
|         | 2 530        | 98.0          | 17          | 13,0         | PHG B98X...   |
|         | 2 630        | 102.0         | 17          | 13,0         | PHG B102X...  |
|         | 2 740        | 106.0         | 17          | 13,0         | PHG B106X...  |
|         | 2 890        | 112.0         | 17          | 13,0         | PHG B112X...  |
|         | 3 040        | 118.0         | 17          | 13,0         | PHG B118X...  |
|         | 3 090        | 120.0         | 17          | 13,0         | PHG B120X...  |
|         | 3 290        | 128.0         | 17          | 13,0         | PHG B128X...  |
|         | 3 400        | 132.0         | 17          | 13,0         | PHG B132X...  |
|         | 3 600        | 140.0         | 17          | 13,0         | PHG B140X...  |
|         | 3 750        | 146.0         | 17          | 13,0         | PHG B146X...  |
|         | 3 800        | 148.0         | 17          | 13,0         | PHG B148X...  |
|         | 4 060        | 158.0         | 17          | 13,0         | PHG B158X...  |
|         | 4 280        | 167.0         | 17          | 13,0         | PHG B167X...  |
|         | 4 540        | 177.0         | 17          | 13,0         | PHG B177X...  |
| 4 800   | 187.0        | 17            | 13,0        | PHG B187X... |               |
| 5 044   | 197.0        | 17            | 13,0        | PHG B197X... |               |
| 5 340   | 208.0        | 17            | 13,0        | PHG B208X... |               |

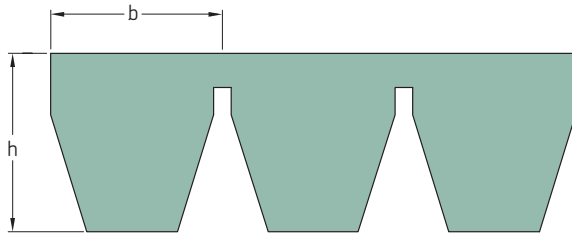
| Section | Dimensions   |               | Designation |              |              |
|---------|--------------|---------------|-------------|--------------|--------------|
|         | Pitch length | Inside length | b           | h            |              |
| –       | mm           | in.           | mm          | –            |              |
| 17/B    | 5 630        | 220.0         | 17          | 13,0         | PHG B220X... |
| 22/C    | 2 340        | 90.0          | 22          | 16,2         | PHG C90X...  |
|         | 2 550        | 98.0          | 22          | 16,2         | PHG C98X...  |
|         | 2 800        | 108.0         | 22          | 16,2         | PHG C108X... |
|         | 3 100        | 120.0         | 22          | 16,2         | PHG C120X... |
|         | 3 310        | 128.0         | 22          | 16,2         | PHG C128X... |
|         | 3 610        | 140.0         | 22          | 16,2         | PHG C140X... |
|         | 3 760        | 146.0         | 22          | 16,2         | PHG C146X... |
|         | 3 895        | 151.0         | 22          | 16,2         | PHG C151X... |
|         | 4 300        | 167.0         | 22          | 16,2         | PHG C167X... |
|         | 4 560        | 177.0         | 22          | 16,2         | PHG C177X... |
| 32/D    | 4 810        | 187.0         | 22          | 16,2         | PHG C187X... |
|         | 5 060        | 197.0         | 22          | 16,2         | PHG C197X... |
|         | 5 340        | 208.0         | 22          | 16,2         | PHG C208X... |
|         | 5 640        | 220.0         | 22          | 16,2         | PHG C220X... |
|         | 6 050        | 236.0         | 22          | 16,2         | PHG C236X... |
|         | 6 360        | 248.0         | 22          | 16,2         | PHG C248X... |
|         | 4 080        | 158.0         | 32          | 22,4         | PHG D158X... |
|         | 4 190        | 162.0         | 32          | 22,4         | PHG D162X... |
|         | 4 470        | 173.0         | 32          | 22,4         | PHG D173X... |
|         | 4 650        | 180.0         | 32          | 22,4         | PHG D180X... |
| 5 030   | 195.0        | 32            | 22,4        | PHG D195X... |              |
| 32/D    | 5 400        | 210.0         | 32          | 22,4         | PHG D210X... |
|         | 5 790        | 225.0         | 32          | 22,4         | PHG D225X... |
|         | 6 170        | 240.0         | 32          | 22,4         | PHG D240X... |
|         | 6 560        | 255.0         | 32          | 22,4         | PHG D255X... |
|         | 6 940        | 270.0         | 32          | 22,4         | PHG D270X... |
|         | 7 320        | 285.0         | 32          | 22,4         | PHG D285X... |
|         | 7 700        | 300.0         | 32          | 22,4         | PHG D300X... |
|         | 8 080        | 315.0         | 32          | 22,4         | PHG D315X... |
|         | 8 460        | 330.0         | 32          | 22,4         | PHG D330X... |
|         | 8 840        | 345.0         | 32          | 22,4         | PHG D345X... |
| 32/D    | 9 220        | 360.0         | 32          | 22,4         | PHG D360X... |
|         | 9 980        | 390.0         | 32          | 22,4         | PHG D390X... |
|         | 10 740       | 420.0         | 32          | 22,4         | PHG D420X... |
|         | 11 505       | 450.0         | 32          | 22,4         | PHG D450X... |
|         | 12 270       | 480.0         | 32          | 22,4         | PHG D480X... |
|         | 13 790       | 540.0         | 32          | 22,4         | PHG D540X... |

Non-standard lengths are also available.  
 To complete designation add number of bands. For example PHG D360X6.



# SKF Banded Narrow Wedge Belts

3V/9J | 5V/15J | 8V/25J

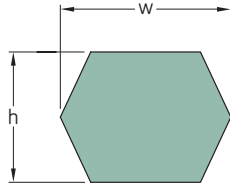


| Section | Dimensions<br>Outside length |     | b    |      | h              | Designation    | Section | Dimensions<br>Outside length |      | b              |                | h              | Designation |
|---------|------------------------------|-----|------|------|----------------|----------------|---------|------------------------------|------|----------------|----------------|----------------|-------------|
|         | mm                           | in. | mm   | mm   | mm             |                |         | mm                           | in.  | mm             | mm             | mm             |             |
| 3V/9J   | 1 270                        | 50  | 9    | 9,9  |                | PHG 3V500X...  | 8V/25J  | 2 997                        | 118  | 25             | 25,5           | PHG 8V1180X... |             |
|         | 1 346                        | 53  | 9    | 9,9  |                | PHG 3V530X...  |         | 3 175                        | 125  | 25             | 25,5           | PHG 8V1250X... |             |
|         | 1 422                        | 56  | 9    | 9,9  |                | PHG 3V560X...  |         | 3 353                        | 132  | 25             | 25,5           | PHG 8V1320X... |             |
|         | 1 524                        | 60  | 9    | 9,9  |                | PHG 3V600X...  |         | 3 556                        | 140  | 25             | 25,5           | PHG 8V1400X... |             |
|         | 1 600                        | 63  | 9    | 9,9  |                | PHG 3V630X...  |         | 3 810                        | 150  | 25             | 25,5           | PHG 8V1500X... |             |
|         | 1 702                        | 67  | 9    | 9,9  |                | PHG 3V670X...  |         | 4 064                        | 160  | 25             | 25,5           | PHG 8V1600X... |             |
|         | 1 803                        | 71  | 9    | 9,9  |                | PHG 3V710X...  |         | 4 318                        | 170  | 25             | 25,5           | PHG 8V1700X... |             |
|         | 1 905                        | 75  | 9    | 9,9  |                | PHG 3V750X...  |         | 4 572                        | 180  | 25             | 25,5           | PHG 8V1800X... |             |
|         | 2 032                        | 80  | 9    | 9,9  |                | PHG 3V800X...  |         | 4 826                        | 190  | 25             | 25,5           | PHG 8V1900X... |             |
|         | 2 159                        | 85  | 9    | 9,9  |                | PHG 3V850X...  |         | 5 080                        | 200  | 25             | 25,5           | PHG 8V2000X... |             |
|         | 2 286                        | 90  | 9    | 9,9  |                | PHG 3V900X...  |         | 5 385                        | 212  | 25             | 25,5           | PHG 8V2120X... |             |
|         | 2 413                        | 95  | 9    | 9,9  |                | PHG 3V950X...  |         | 5 690                        | 224  | 25             | 25,5           | PHG 8V2240X... |             |
|         | 2 540                        | 100 | 9    | 9,9  |                | PHG 3V1000X... |         | 5 994                        | 236  | 25             | 25,5           | PHG 8V2360X... |             |
|         | 2 692                        | 106 | 9    | 9,9  |                | PHG 3V1060X... |         | 6 350                        | 250  | 25             | 25,5           | PHG 8V2500X... |             |
|         | 2 845                        | 112 | 9    | 9,9  |                | PHG 3V1120X... |         | 6 731                        | 265  | 25             | 25,5           | PHG 8V2650X... |             |
| 2 997   | 118                          | 9   | 9,9  |      | PHG 3V1180X... | 7 112          | 280     | 25                           | 25,5 | PHG 8V2800X... |                |                |             |
| 3 175   | 125                          | 9   | 9,9  |      | PHG 3V1250X... | 7 620          | 300     | 25                           | 25,5 | PHG 8V3000X... |                |                |             |
| 3 353   | 132                          | 9   | 9,9  |      | PHG 3V1320X... | 8 001          | 315     | 25                           | 25,5 | PHG 8V3150X... |                |                |             |
| 3 556   | 140                          | 9   | 9,9  |      | PHG 3V1400X... | 8 509          | 335     | 25                           | 25,5 | PHG 8V3350X... |                |                |             |
| 5V/15J  | 1 422                        | 56  | 15   | 15,1 |                | PHG 5V560X...  | 9 525   | 375                          | 25   | 25,5           | PHG 8V3750X... |                |             |
|         | 1 524                        | 60  | 15   | 15,1 |                | PHG 5V600X...  | 10 160  | 400                          | 25   | 25,5           | PHG 8V4000X... |                |             |
|         | 1 600                        | 63  | 15   | 15,1 |                | PHG 5V630X...  | 10 795  | 425                          | 25   | 25,5           | PHG 8V4250X... |                |             |
|         | 1 702                        | 67  | 15   | 15,1 |                | PHG 5V670X...  | 11 430  | 450                          | 25   | 25,5           | PHG 8V4500X... |                |             |
|         | 1 803                        | 71  | 15   | 15,1 |                | PHG 5V710X...  | 12 065  | 475                          | 25   | 25,5           | PHG 8V4750X... |                |             |
|         | 1 905                        | 75  | 15   | 15,1 |                | PHG 5V750X...  |         |                              |      |                |                |                |             |
|         | 2 032                        | 80  | 15   | 15,1 |                | PHG 5V800X...  |         |                              |      |                |                |                |             |
|         | 2 159                        | 85  | 15   | 15,1 |                | PHG 5V850X...  |         |                              |      |                |                |                |             |
|         | 2 286                        | 90  | 15   | 15,1 |                | PHG 5V900X...  |         |                              |      |                |                |                |             |
|         | 2 413                        | 95  | 15   | 15,1 |                | PHG 5V950X...  |         |                              |      |                |                |                |             |
|         | 2 540                        | 100 | 15   | 15,1 |                | PHG 5V1000X... |         |                              |      |                |                |                |             |
|         | 2 692                        | 106 | 15   | 15,1 |                | PHG 5V1060X... |         |                              |      |                |                |                |             |
|         | 2 845                        | 112 | 15   | 15,1 |                | PHG 5V1120X... |         |                              |      |                |                |                |             |
|         | 2 997                        | 118 | 15   | 15,1 |                | PHG 5V1180X... |         |                              |      |                |                |                |             |
|         | 3 175                        | 125 | 15   | 15,1 |                | PHG 5V1250X... |         |                              |      |                |                |                |             |
| 3 353   | 132                          | 15  | 15,1 |      | PHG 5V1320X... |                |         |                              |      |                |                |                |             |
| 3 556   | 140                          | 15  | 15,1 |      | PHG 5V1400X... |                |         |                              |      |                |                |                |             |
| 3 810   | 150                          | 15  | 15,1 |      | PHG 5V1500X... |                |         |                              |      |                |                |                |             |
| 4 064   | 160                          | 15  | 15,1 |      | PHG 5V1600X... |                |         |                              |      |                |                |                |             |
| 4 318   | 170                          | 15  | 15,1 |      | PHG 5V1700X... |                |         |                              |      |                |                |                |             |
| 4 572   | 180                          | 15  | 15,1 |      | PHG 5V1800X... |                |         |                              |      |                |                |                |             |
| 4 826   | 190                          | 15  | 15,1 |      | PHG 5V1900X... |                |         |                              |      |                |                |                |             |
| 5 080   | 200                          | 15  | 15,1 |      | PHG 5V2000X... |                |         |                              |      |                |                |                |             |
| 5 385   | 212                          | 15  | 15,1 |      | PHG 5V2120X... |                |         |                              |      |                |                |                |             |
| 5 690   | 224                          | 15  | 15,1 |      | PHG 5V2240X... |                |         |                              |      |                |                |                |             |
| 5 994   | 236                          | 15  | 15,1 |      | PHG 5V2360X... |                |         |                              |      |                |                |                |             |
| 6 350   | 250                          | 15  | 15,1 |      | PHG 5V2500X... |                |         |                              |      |                |                |                |             |
| 6 731   | 265                          | 15  | 15,1 |      | PHG 5V2650X... |                |         |                              |      |                |                |                |             |
| 7 112   | 280                          | 15  | 15,1 |      | PHG 5V2800X... |                |         |                              |      |                |                |                |             |
| 7 620   | 300                          | 15  | 15,1 |      | PHG 5V3000X... |                |         |                              |      |                |                |                |             |
| 8 001   | 315                          | 15  | 15,1 |      | PHG 5V3150X... |                |         |                              |      |                |                |                |             |
| 8 509   | 335                          | 15  | 15,1 |      | PHG 5V3350X... |                |         |                              |      |                |                |                |             |
| 8V/25J  | 2 540                        | 100 | 25   | 25,5 |                | PHG 8V1000X... |         |                              |      |                |                |                |             |
|         | 2 692                        | 106 | 25   | 25,5 |                | PHG 8V1060X... |         |                              |      |                |                |                |             |
|         | 2 845                        | 112 | 25   | 25,5 |                | PHG 8V1120X... |         |                              |      |                |                |                |             |

Non-standard lengths are also available.  
To complete designation add number of bands. For example PHG 8V3350X3.

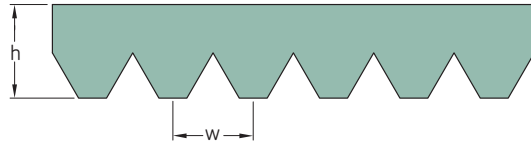
# SKF Double Classical (Hex) Belts

AA/HAA | BB/HBB | CC/HCC



| Section | Dimensions   |               |    |    | Designation |
|---------|--------------|---------------|----|----|-------------|
|         | Pitch length | Inside length | w  | h  |             |
|         | mm           | in.           | mm |    |             |
| AA/HAA  | 2 000        | 77            | 13 | 10 | PHG AA77    |
|         | 2 032        | 78            | 13 | 10 | PHG AA78    |
|         | 2 370        | 91            | 13 | 10 | PHG AA91    |
|         | 2 500        | 96            | 13 | 10 | PHG AA96    |
|         | 2 650        | 102           | 13 | 10 | PHG AA102   |
|         | 2 667        | 103           | 13 | 10 | PHG AA103   |
|         | 2 800        | 108           | 13 | 10 | PHG AA108   |
|         | 3 300        | 128           | 13 | 10 | PHG AA128   |
|         | 3 920        | 152           | 13 | 10 | PHG AA152   |
|         | BB/HBB       | 1 980         | 75 | 17 | 13          |
| 2 180   |              | 83            | 17 | 13 | PHG BB83    |
| 2 300   |              | 88            | 17 | 13 | PHG BB88    |
| 2 370   |              | 90            | 17 | 13 | PHG BB90    |
| 2 500   |              | 95            | 17 | 13 | PHG BB95    |
| 2 540   |              | 97            | 17 | 13 | PHG BB97    |
| 2 600   |              | 99            | 17 | 13 | PHG BB99    |
| 2 650   |              | 101           | 17 | 13 | PHG BB101   |
| 2 740   |              | 105           | 17 | 13 | PHG BB105   |
| 2 800   |              | 107           | 17 | 13 | PHG BB107   |
| 2 850   |              | 109           | 17 | 13 | PHG BB109   |
| 2 920   |              | 112           | 17 | 13 | PHG BB112   |
| 3 000   |              | 115           | 17 | 13 | PHG BB115   |
| 3 030   |              | 116           | 17 | 13 | PHG BB116   |
| 3 150   |              | 121           | 17 | 13 | PHG BB121   |
| 3 250   |              | 125           | 17 | 13 | PHG BB125   |
| 3 280   |              | 126           | 17 | 13 | PHG BB126   |
| 3 325   |              | 128           | 17 | 13 | PHG BB128   |
| 3 390   |              | 131           | 17 | 13 | PHG BB131   |
| 3 450   |              | 133           | 17 | 13 | PHG BB133   |
| 3 500   |              | 135           | 17 | 13 | PHG BB135   |
| 3 550   |              | 137           | 17 | 13 | PHG BB137   |
| 3 730   |              | 144           | 17 | 13 | PHG BB144   |
| 3 750   |              | 145           | 17 | 13 | PHG BB145   |
| 4 010   |              | 155           | 17 | 13 | PHG BB155   |
| 4 040   |              | 156           | 17 | 13 | PHG BB156   |
| 4 200   |              | 162           | 17 | 13 | PHG BB162   |
| 4 470   |              | 173           | 17 | 13 | PHG BB173   |
| 4 500   |              | 174           | 17 | 13 | PHG BB174   |
| 4 750   |              | 184           | 17 | 13 | PHG BB184   |
| CC/HCC  | 2 280        | 86            | 22 | 17 | PHG CC86    |
|         | 2 500        | 94            | 22 | 17 | PHG CC94    |
|         | 2 800        | 106           | 22 | 17 | PHG CC106   |
|         | 3 200        | 122           | 22 | 17 | PHG CC122   |
|         | 3 310        | 126           | 22 | 17 | PHG CC126   |
|         | 3 765        | 144           | 22 | 17 | PHG CC144   |
|         | 4 000        | 153           | 22 | 17 | PHG CC153   |
|         | 4 216        | 162           | 22 | 17 | PHG CC162   |
|         | 4 300        | 165           | 22 | 17 | PHG CC165   |
|         | 4 500        | 173           | 22 | 17 | PHG CC173   |
|         | 5 000        | 193           | 22 | 17 | PHG CC193   |
|         | 5 300        | 204           | 22 | 17 | PHG CC204   |
|         | 5 340        | 206           | 22 | 17 | PHG CC206   |
|         | 5 750        | 224           | 22 | 17 | PHG CC224   |

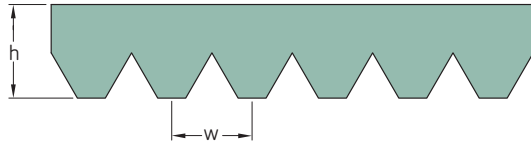
Non-standard lengths are also available.



| Section | Dimensions       |      | Designation |               |               |
|---------|------------------|------|-------------|---------------|---------------|
|         | Effective length |      | w           | h             |               |
| –       | mm               | in.  | mm          | –             |               |
| PH      | 600              | 23.6 | 1,60        | 2,50          | PHG ...PH600  |
|         | 690              | 27.2 | 1,60        | 2,50          | PHG ...PH690  |
|         | 760              | 29.9 | 1,60        | 2,50          | PHG ...PH760  |
|         | 810              | 31.9 | 1,60        | 2,50          | PHG ...PH810  |
|         | 850              | 33.5 | 1,60        | 2,50          | PHG ...PH850  |
|         | 865              | 34.1 | 1,60        | 2,50          | PHG ...PH865  |
|         | 880              | 34.6 | 1,60        | 2,50          | PHG ...PH880  |
|         | 955              | 37.6 | 1,60        | 2,50          | PHG ...PH955  |
|         | 965              | 38.0 | 1,60        | 2,50          | PHG ...PH965  |
|         | 975              | 38.4 | 1,60        | 2,50          | PHG ...PH975  |
|         | 990              | 39.0 | 1,60        | 2,50          | PHG ...PH990  |
|         | 1 010            | 39.8 | 1,60        | 2,50          | PHG ...PH1010 |
|         | 1 080            | 42.5 | 1,60        | 2,50          | PHG ...PH1080 |
|         | 1 090            | 42.9 | 1,60        | 2,50          | PHG ...PH1090 |
|         | 1 095            | 43.1 | 1,60        | 2,50          | PHG ...PH1095 |
| PJ      | 1 160            | 45.7 | 1,60        | 2,50          | PHG ...PH1160 |
|         | 1 200            | 47.2 | 1,60        | 2,50          | PHG ...PH1200 |
|         | 1 220            | 48.0 | 1,60        | 2,50          | PHG ...PH1220 |
|         | 1 230            | 48.4 | 1,60        | 2,50          | PHG ...PH1230 |
|         | 1 240            | 48.8 | 1,60        | 2,50          | PHG ...PH1240 |
|         | 1 260            | 49.6 | 1,60        | 2,50          | PHG ...PH1260 |
|         | 1 270            | 50.0 | 1,60        | 2,50          | PHG ...PH1270 |
|         | 1 285            | 50.6 | 1,60        | 2,50          | PHG ...PH1285 |
|         | 1 300            | 51.2 | 1,60        | 2,50          | PHG ...PH1300 |
|         | 1 305            | 51.4 | 1,60        | 2,50          | PHG ...PH1305 |
|         | 1 320            | 52.0 | 1,60        | 2,50          | PHG ...PH1320 |
|         | 1 475            | 58.1 | 1,60        | 2,50          | PHG ...PH1475 |
|         | 1 600            | 63.0 | 1,60        | 2,50          | PHG ...PH1600 |
|         | 540              | 21.3 | 2,34        | 3,50          | PHG ...PJ540  |
|         | 550              | 21.7 | 2,34        | 3,50          | PHG ...PJ550  |
| 580     | 22.8             | 2,34 | 3,50        | PHG ...PJ580  |               |
| 610     | 24.0             | 2,34 | 3,50        | PHG ...PJ610  |               |
| 660     | 26.0             | 2,34 | 3,50        | PHG ...PJ660  |               |
| 710     | 28.0             | 2,34 | 3,50        | PHG ...PJ710  |               |
| 720     | 28.3             | 2,34 | 3,50        | PHG ...PJ720  |               |
| 760     | 29.9             | 2,34 | 3,50        | PHG ...PJ760  |               |
| 810     | 31.9             | 2,34 | 3,50        | PHG ...PJ810  |               |
| 830     | 32.7             | 2,34 | 3,50        | PHG ...PJ830  |               |
| 860     | 33.9             | 2,34 | 3,50        | PHG ...PJ860  |               |
| 910     | 35.8             | 2,34 | 3,50        | PHG ...PJ910  |               |
| 955     | 37.6             | 2,34 | 3,50        | PHG ...PJ955  |               |
| 965     | 38.0             | 2,34 | 3,50        | PHG ...PJ965  |               |
| 1 010   | 39.8             | 2,34 | 3,50        | PHG ...PJ1010 |               |
| 1 090   | 42.9             | 2,34 | 3,50        | PHG ...PJ1090 |               |
| 1 105   | 43.5             | 2,34 | 3,50        | PHG ...PJ1105 |               |
| 1 110   | 43.7             | 2,34 | 3,50        | PHG ...PJ1110 |               |
| 1 120   | 44.1             | 2,34 | 3,50        | PHG ...PJ1120 |               |
| 1 130   | 44.5             | 2,34 | 3,50        | PHG ...PJ1130 |               |
| 1 150   | 45.3             | 2,34 | 3,50        | PHG ...PJ1150 |               |
| 1 160   | 45.7             | 2,34 | 3,50        | PHG ...PJ1160 |               |
| 1 190   | 46.9             | 2,34 | 3,50        | PHG ...PJ1190 |               |
| 1 200   | 47.3             | 2,34 | 3,50        | PHG ...PJ1200 |               |
| 1 220   | 48.0             | 2,34 | 3,50        | PHG ...PJ1220 |               |
| 1 240   | 48.8             | 2,34 | 3,50        | PHG ...PJ1240 |               |

| Section | Dimensions       |      | Designation |               |               |
|---------|------------------|------|-------------|---------------|---------------|
|         | Effective length |      | w           | h             |               |
| –       | mm               | in.  | mm          | –             |               |
| PJ      | 1 270            | 50.0 | 2,34        | 3,50          | PHG ...PJ1270 |
|         | 1 285            | 50.6 | 2,34        | 3,50          | PHG ...PJ1285 |
|         | 1 300            | 51.2 | 2,34        | 3,50          | PHG ...PJ1300 |
|         | 1 305            | 51.4 | 2,34        | 3,50          | PHG ...PJ1305 |
|         | 1 310            | 51.6 | 2,34        | 3,50          | PHG ...PJ1310 |
|         | 1 320            | 52.0 | 2,34        | 3,50          | PHG ...PJ1320 |
|         | 1 330            | 52.4 | 2,34        | 3,50          | PHG ...PJ1330 |
|         | 1 355            | 53.4 | 2,34        | 3,50          | PHG ...PJ1355 |
|         | 1 370            | 53.9 | 2,34        | 3,50          | PHG ...PJ1370 |
|         | 1 390            | 54.7 | 2,34        | 3,50          | PHG ...PJ1390 |
|         | 1 420            | 55.9 | 2,34        | 3,50          | PHG ...PJ1420 |
|         | 1 430            | 56.3 | 2,34        | 3,50          | PHG ...PJ1430 |
|         | 1 475            | 58.1 | 2,34        | 3,50          | PHG ...PJ1475 |
|         | 1 540            | 60.6 | 2,34        | 3,50          | PHG ...PJ1540 |
|         | 1 600            | 63.0 | 2,34        | 3,50          | PHG ...PJ1600 |
| PK      | 1 650            | 65.0 | 2,34        | 3,50          | PHG ...PJ1650 |
|         | 1 660            | 65.4 | 2,34        | 3,50          | PHG ...PJ1660 |
|         | 1 750            | 68.9 | 2,34        | 3,50          | PHG ...PJ1750 |
|         | 1 780            | 70.0 | 2,34        | 3,50          | PHG ...PJ1780 |
|         | 1 850            | 72.8 | 2,34        | 3,50          | PHG ...PJ1850 |
|         | 1 895            | 74.6 | 2,34        | 3,50          | PHG ...PJ1895 |
|         | 1 910            | 75.2 | 2,34        | 3,50          | PHG ...PJ1910 |
|         | 1 915            | 75.4 | 2,34        | 3,50          | PHG ...PJ1915 |
|         | 1 930            | 76.0 | 2,34        | 3,50          | PHG ...PJ1930 |
|         | 1 950            | 76.8 | 2,34        | 3,50          | PHG ...PJ1950 |
|         | 1 965            | 77.4 | 2,34        | 3,50          | PHG ...PJ1965 |
|         | 1 980            | 78.0 | 2,34        | 3,50          | PHG ...PJ1980 |
|         | 1 990            | 78.3 | 2,34        | 3,50          | PHG ...PJ1990 |
|         | 2 080            | 81.9 | 2,34        | 3,50          | PHG ...PJ2080 |
|         | 2 100            | 82.7 | 2,34        | 3,50          | PHG ...PJ2100 |
| 2 155   | 84.8             | 2,34 | 3,50        | PHG ...PJ2155 |               |
| 2 210   | 87.0             | 2,34 | 3,50        | PHG ...PJ2210 |               |
| 2 330   | 91.7             | 2,34 | 3,50        | PHG ...PJ2330 |               |
| 2 480   | 97.6             | 2,34 | 3,50        | PHG ...PJ2480 |               |
| 575     | 22.6             | 3,56 | 5,50        | PHG ...PK575  |               |
| 600     | 23.6             | 3,56 | 5,50        | PHG ...PK600  |               |
| 635     | 25.0             | 3,56 | 5,50        | PHG ...PK635  |               |
| 650     | 25.6             | 3,56 | 5,50        | PHG ...PK650  |               |
| 665     | 26.2             | 3,56 | 5,50        | PHG ...PK665  |               |
| 690     | 27.2             | 3,56 | 5,50        | PHG ...PK690  |               |
| 710     | 28.0             | 3,56 | 5,50        | PHG ...PK710  |               |
| 740     | 29.1             | 3,56 | 5,50        | PHG ...PK740  |               |
| 760     | 29.9             | 3,56 | 5,50        | PHG ...PK760  |               |
| 785     | 30.9             | 3,56 | 5,50        | PHG ...PK785  |               |
| 790     | 31.1             | 3,56 | 5,50        | PHG ...PK790  |               |
| 800     | 31.5             | 3,56 | 5,50        | PHG ...PK800  |               |
| 820     | 32.3             | 3,56 | 5,50        | PHG ...PK820  |               |
| 840     | 33.1             | 3,56 | 5,50        | PHG ...PK840  |               |
| 850     | 33.5             | 3,56 | 5,50        | PHG ...PK850  |               |
| 865     | 34.1             | 3,56 | 5,50        | PHG ...PK865  |               |
| 870     | 34.3             | 3,56 | 5,50        | PHG ...PK870  |               |
| 885     | 34.8             | 3,56 | 5,50        | PHG ...PK885  |               |
| 890     | 35.0             | 3,56 | 5,50        | PHG ...PK890  |               |
| 900     | 35.4             | 3,56 | 5,50        | PHG ...PK900  |               |

Non-standard lengths are also available.  
To complete designation add number of ribs. For example PHG 4PJ1320.



| Section | Dimensions       |      | Designation |               |               |
|---------|------------------|------|-------------|---------------|---------------|
|         | Effective length |      | w           | h             |               |
| –       | mm               | in.  | mm          | –             |               |
| PK      | 910              | 35.8 | 3,56        | 5,50          | PHG ...PK910  |
|         | 925              | 36.4 | 3,56        | 5,50          | PHG ...PK925  |
|         | 940              | 37.0 | 3,56        | 5,50          | PHG ...PK940  |
|         | 945              | 37.2 | 3,56        | 5,50          | PHG ...PK945  |
|         | 950              | 37.4 | 3,56        | 5,50          | PHG ...PK950  |
|         | 960              | 37.8 | 3,56        | 5,50          | PHG ...PK960  |
|         | 970              | 38.2 | 3,56        | 5,50          | PHG ...PK970  |
|         | 980              | 38.6 | 3,56        | 5,50          | PHG ...PK980  |
|         | 990              | 39.0 | 3,56        | 5,50          | PHG ...PK990  |
|         | 1 000            | 39.4 | 3,56        | 5,50          | PHG ...PK1000 |
| 1 010   | 39.8             | 3,56 | 5,50        | PHG ...PK1010 |               |
| 1 015   | 40.0             | 3,56 | 5,50        | PHG ...PK1015 |               |
| 1 020   | 40.2             | 3,56 | 5,50        | PHG ...PK1020 |               |
| 1 040   | 40.9             | 3,56 | 5,50        | PHG ...PK1040 |               |
| 1 050   | 41.3             | 3,56 | 5,50        | PHG ...PK1050 |               |
| 1 060   | 41.7             | 3,56 | 5,50        | PHG ...PK1060 |               |
| 1 075   | 42.3             | 3,56 | 5,50        | PHG ...PK1075 |               |
| 1 080   | 42.5             | 3,56 | 5,50        | PHG ...PK1080 |               |
| 1 090   | 42.9             | 3,56 | 5,50        | PHG ...PK1090 |               |
| 1 100   | 43.3             | 3,56 | 5,50        | PHG ...PK1100 |               |
| 1 120   | 44.1             | 3,56 | 5,50        | PHG ...PK1120 |               |
| 1 130   | 44.5             | 3,56 | 5,50        | PHG ...PK1130 |               |
| 1 140   | 44.9             | 3,56 | 5,50        | PHG ...PK1140 |               |
| 1 150   | 45.3             | 3,56 | 5,50        | PHG ...PK1150 |               |
| 1 160   | 45.7             | 3,56 | 5,50        | PHG ...PK1160 |               |
| 1 170   | 46.1             | 3,56 | 5,50        | PHG ...PK1170 |               |
| 1 180   | 46.5             | 3,56 | 5,50        | PHG ...PK1180 |               |
| 1 190   | 46.9             | 3,56 | 5,50        | PHG ...PK1190 |               |
| 1 200   | 47.3             | 3,56 | 5,50        | PHG ...PK1200 |               |
| 1 220   | 48.0             | 3,56 | 5,50        | PHG ...PK1220 |               |
| 1 240   | 48.8             | 3,56 | 5,50        | PHG ...PK1240 |               |
| 1 260   | 49.6             | 3,56 | 5,50        | PHG ...PK1260 |               |
| 1 280   | 50.4             | 3,56 | 5,50        | PHG ...PK1280 |               |
| 1 300   | 51.2             | 3,56 | 5,50        | PHG ...PK1300 |               |
| 1 320   | 52.0             | 3,56 | 5,50        | PHG ...PK1320 |               |
| 1 340   | 52.8             | 3,56 | 5,50        | PHG ...PK1340 |               |
| 1 360   | 53.5             | 3,56 | 5,50        | PHG ...PK1360 |               |
| 1 380   | 54.3             | 3,56 | 5,50        | PHG ...PK1380 |               |
| 1 400   | 55.1             | 3,56 | 5,50        | PHG ...PK1400 |               |
| 1 420   | 55.9             | 3,56 | 5,50        | PHG ...PK1420 |               |
| 1 440   | 56.7             | 3,56 | 5,50        | PHG ...PK1440 |               |
| 1 460   | 57.5             | 3,56 | 5,50        | PHG ...PK1460 |               |
| 1 480   | 58.3             | 3,56 | 5,50        | PHG ...PK1480 |               |
| 1 500   | 59.1             | 3,56 | 5,50        | PHG ...PK1500 |               |
| 1 520   | 59.8             | 3,56 | 5,50        | PHG ...PK1520 |               |
| 1 540   | 60.6             | 3,56 | 5,50        | PHG ...PK1540 |               |
| 1 560   | 61.4             | 3,56 | 5,50        | PHG ...PK1560 |               |
| 1 580   | 62.2             | 3,56 | 5,50        | PHG ...PK1580 |               |
| 1 600   | 63.0             | 3,56 | 5,50        | PHG ...PK1600 |               |
| 1 620   | 63.8             | 3,56 | 5,50        | PHG ...PK1620 |               |
| 1 640   | 64.6             | 3,56 | 5,50        | PHG ...PK1640 |               |
| 1 660   | 65.4             | 3,56 | 5,50        | PHG ...PK1660 |               |
| 1 680   | 66.1             | 3,56 | 5,50        | PHG ...PK1680 |               |
| 1 690   | 66.5             | 3,56 | 5,50        | PHG ...PK1690 |               |
| 1 710   | 67.3             | 3,56 | 5,50        | PHG ...PK1710 |               |

| Section | Dimensions       |      | Designation |               |               |
|---------|------------------|------|-------------|---------------|---------------|
|         | Effective length |      | w           | h             |               |
| –       | mm               | in.  | mm          | –             |               |
| PK      | 1 720            | 67.7 | 3,56        | 5,50          | PHG ...PK1720 |
|         | 1 770            | 69.7 | 3,56        | 5,50          | PHG ...PK1770 |
|         | 1 780            | 70.1 | 3,56        | 5,50          | PHG ...PK1780 |
|         | 1 800            | 70.9 | 3,56        | 5,50          | PHG ...PK1800 |
|         | 1 830            | 72.0 | 3,56        | 5,50          | PHG ...PK1830 |
|         | 1 865            | 73.4 | 3,56        | 5,50          | PHG ...PK1865 |
|         | 1 880            | 74.0 | 3,56        | 5,50          | PHG ...PK1880 |
|         | 1 900            | 74.8 | 3,56        | 5,50          | PHG ...PK1900 |
|         | 1 950            | 76.8 | 3,56        | 5,50          | PHG ...PK1950 |
|         | 1 980            | 78.0 | 3,56        | 5,50          | PHG ...PK1980 |
| 2 020   | 79.5             | 3,56 | 5,50        | PHG ...PK2020 |               |
| 2 080   | 81.9             | 3,56 | 5,50        | PHG ...PK2080 |               |
| 2 100   | 82.7             | 3,56 | 5,50        | PHG ...PK2100 |               |
| 2 110   | 83.1             | 3,56 | 5,50        | PHG ...PK2110 |               |
| 2 130   | 83.9             | 3,56 | 5,50        | PHG ...PK2130 |               |
| 2 210   | 87.0             | 3,56 | 5,50        | PHG ...PK2210 |               |
| 2 230   | 87.8             | 3,56 | 5,50        | PHG ...PK2230 |               |
| 2 250   | 88.6             | 3,56 | 5,50        | PHG ...PK2250 |               |
| 2 300   | 90.6             | 3,56 | 5,50        | PHG ...PK2300 |               |
| 2 330   | 91.7             | 3,56 | 5,50        | PHG ...PK2330 |               |
| 2 420   | 95.3             | 3,56 | 5,50        | PHG ...PK2420 |               |
| PL      | 1 075            | 42.5 | 4,70        | 7,00          | PHG ...PL1075 |
|         | 1 270            | 50.0 | 4,70        | 7,00          | PHG ...PL1270 |
|         | 1 333            | 52.5 | 4,70        | 7,00          | PHG ...PL1333 |
|         | 1 371            | 54.0 | 4,70        | 7,00          | PHG ...PL1371 |
|         | 1 397            | 55.0 | 4,70        | 7,00          | PHG ...PL1397 |
|         | 1 422            | 56.0 | 4,70        | 7,00          | PHG ...PL1422 |
|         | 1 562            | 61.5 | 4,70        | 7,00          | PHG ...PL1562 |
|         | 1 613            | 63.5 | 4,70        | 7,00          | PHG ...PL1613 |
|         | 1 664            | 65.5 | 4,70        | 7,00          | PHG ...PL1664 |
|         | 1 715            | 67.5 | 4,70        | 7,00          | PHG ...PL1715 |
| 1 764   | 69.5             | 4,70 | 7,00        | PHG ...PL1764 |               |
| 1 803   | 71.0             | 4,70 | 7,00        | PHG ...PL1803 |               |
| 1 841   | 72.5             | 4,70 | 7,00        | PHG ...PL1841 |               |
| 1 943   | 76.5             | 4,70 | 7,00        | PHG ...PL1943 |               |
| 1 981   | 78.0             | 4,70 | 7,00        | PHG ...PL1981 |               |
| 2 020   | 79.5             | 4,70 | 7,00        | PHG ...PL2020 |               |
| 2 070   | 81.5             | 4,70 | 7,00        | PHG ...PL2070 |               |
| 2 096   | 82.5             | 4,70 | 7,00        | PHG ...PL2096 |               |
| 2 134   | 84.0             | 4,70 | 7,00        | PHG ...PL2134 |               |
| 2 197   | 86.5             | 4,70 | 7,00        | PHG ...PL2197 |               |
| 2 235   | 88.0             | 4,70 | 7,00        | PHG ...PL2235 |               |
| 2 324   | 91.5             | 4,70 | 7,00        | PHG ...PL2324 |               |
| 2 362   | 93.0             | 4,70 | 7,00        | PHG ...PL2362 |               |
| 2 476   | 97.5             | 4,70 | 7,00        | PHG ...PL2476 |               |
| 2 515   | 99.0             | 4,70 | 7,00        | PHG ...PL2515 |               |
| 2 705   | 106.5            | 4,70 | 7,00        | PHG ...PL2705 |               |
| 2 743   | 108.0            | 4,70 | 7,00        | PHG ...PL2743 |               |
| 2 845   | 112.0            | 4,70 | 7,00        | PHG ...PL2845 |               |
| 2 895   | 114.0            | 4,70 | 7,00        | PHG ...PL2895 |               |
| 2 921   | 115.0            | 4,70 | 7,00        | PHG ...PL2921 |               |
| 2 997   | 116.0            | 4,70 | 7,00        | PHG ...PL2997 |               |
| 3 086   | 121.5            | 4,70 | 7,00        | PHG ...PL3086 |               |
| 3 124   | 123.0            | 4,70 | 7,00        | PHG ...PL3124 |               |

Non-standard lengths are also available.  
To complete designation add number of ribs. For example PHG 4PJ1320.

# SKF Ribbed Belts

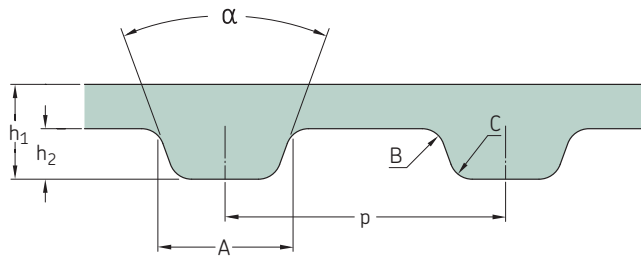
PL | PM

| Section | Dimensions       |       |      |       | Designation   |
|---------|------------------|-------|------|-------|---------------|
|         | Effective length |       | w    | h     |               |
| –       | mm               | in.   | mm   |       | –             |
| PL      | 3 289            | 129.5 | 4,70 | 7,00  | PHG ...PL3289 |
|         | 3 327            | 131.0 | 4,70 | 7,00  | PHG ...PL3327 |
|         | 3 492            | 137.5 | 4,70 | 7,00  | PHG ...PL3492 |
|         | 3 696            | 145.5 | 4,70 | 7,00  | PHG ...PL3696 |
|         | 4 051            | 159.5 | 4,70 | 7,00  | PHG ...PL4051 |
| PM      | 2 693            | 106.0 | 9,40 | 13,00 | PHG ...PM2693 |
|         | 2 832            | 111.5 | 9,40 | 13,00 | PHG ...PM2832 |
|         | 2 921            | 115.0 | 9,40 | 13,00 | PHG ...PM2921 |
|         | 3 010            | 118.5 | 9,40 | 13,00 | PHG ...PM3010 |
|         | 3 124            | 123.0 | 9,40 | 13,00 | PHG ...PM3124 |
|         | 3 327            | 131.0 | 9,40 | 13,00 | PHG ...PM3327 |
|         | 3 531            | 139.0 | 9,40 | 13,00 | PHG ...PM3531 |
|         | 3 734            | 147.0 | 9,40 | 13,00 | PHG ...PM3734 |
|         | 4 089            | 161.0 | 9,40 | 13,00 | PHG ...PM4089 |
|         | 4 191            | 165.0 | 9,40 | 13,00 | PHG ...PM4191 |
|         | 4 470            | 176.0 | 9,40 | 13,00 | PHG ...PM4470 |
|         | 4 648            | 183.0 | 9,40 | 13,00 | PHG ...PM4648 |

Non-standard lengths are also available.  
To complete designation add number of ribs. For example PHG 4PJ1320.

# SKF Classical Timing Belts

MXL



| Section | Number of teeth | Dimensions   |        | h <sub>1</sub> | h <sub>2</sub> | A    | B    | p     | C    | α  | Designation     |
|---------|-----------------|--------------|--------|----------------|----------------|------|------|-------|------|----|-----------------|
|         |                 | Pitch length |        |                |                |      |      |       |      |    |                 |
| -       | -               | in.          | mm     |                |                |      |      |       |      | °  | -               |
| MXL     | 26              | 2.08         | 52.83  | 1.14           | 0.51           | 1.14 | 0.13 | 2,032 | 0.13 | 40 | PHG 208-MXL-... |
|         | 27              | 2.16         | 54.86  | 1.14           | 0.51           | 1.14 | 0.13 | 2,032 | 0.13 | 40 | PHG 216-MXL-... |
|         | 33              | 2.64         | 67.06  | 1.14           | 0.51           | 1.14 | 0.13 | 2,032 | 0.13 | 40 | PHG 264-MXL-... |
|         | 35              | 2.80         | 71.12  | 1.14           | 0.51           | 1.14 | 0.13 | 2,032 | 0.13 | 40 | PHG 280-MXL-... |
|         | 40              | 3.20         | 81.28  | 1.14           | 0.51           | 1.14 | 0.13 | 2,032 | 0.13 | 40 | PHG 320-MXL-... |
|         | 43              | 3.44         | 87.38  | 1.14           | 0.51           | 1.14 | 0.13 | 2,032 | 0.13 | 40 | PHG 344-MXL-... |
|         | 45              | 3.60         | 91.44  | 1.14           | 0.51           | 1.14 | 0.13 | 2,032 | 0.13 | 40 | PHG 360-MXL-... |
|         | 49              | 3.92         | 99.57  | 1.14           | 0.51           | 1.14 | 0.13 | 2,032 | 0.13 | 40 | PHG 392-MXL-... |
|         | 50              | 4.00         | 101.60 | 1.14           | 0.51           | 1.14 | 0.13 | 2,032 | 0.13 | 40 | PHG 400-MXL-... |
|         | 51              | 4.08         | 103.63 | 1.14           | 0.51           | 1.14 | 0.13 | 2,032 | 0.13 | 40 | PHG 408-MXL-... |
|         | 52              | 4.16         | 105.66 | 1.14           | 0.51           | 1.14 | 0.13 | 2,032 | 0.13 | 40 | PHG 416-MXL-... |
|         | 53              | 4.24         | 107.70 | 1.14           | 0.51           | 1.14 | 0.13 | 2,032 | 0.13 | 40 | PHG 424-MXL-... |
|         | 54              | 4.32         | 109.73 | 1.14           | 0.51           | 1.14 | 0.13 | 2,032 | 0.13 | 40 | PHG 432-MXL-... |
|         | 55              | 4.40         | 111.76 | 1.14           | 0.51           | 1.14 | 0.13 | 2,032 | 0.13 | 40 | PHG 440-MXL-... |
|         | 56              | 4.48         | 113.79 | 1.14           | 0.51           | 1.14 | 0.13 | 2,032 | 0.13 | 40 | PHG 448-MXL-... |
|         | 58              | 4.64         | 117.86 | 1.14           | 0.51           | 1.14 | 0.13 | 2,032 | 0.13 | 40 | PHG 464-MXL-... |
|         | 59              | 4.72         | 119.89 | 1.14           | 0.51           | 1.14 | 0.13 | 2,032 | 0.13 | 40 | PHG 472-MXL-... |
|         | 60              | 4.80         | 121.92 | 1.14           | 0.51           | 1.14 | 0.13 | 2,032 | 0.13 | 40 | PHG 480-MXL-... |
|         | 61              | 4.88         | 123.95 | 1.14           | 0.51           | 1.14 | 0.13 | 2,032 | 0.13 | 40 | PHG 488-MXL-... |
|         | 62              | 4.96         | 125.98 | 1.14           | 0.51           | 1.14 | 0.13 | 2,032 | 0.13 | 40 | PHG 496-MXL-... |
|         | 63              | 5.04         | 128.02 | 1.14           | 0.51           | 1.14 | 0.13 | 2,032 | 0.13 | 40 | PHG 504-MXL-... |
|         | 64              | 5.12         | 130.05 | 1.14           | 0.51           | 1.14 | 0.13 | 2,032 | 0.13 | 40 | PHG 512-MXL-... |
|         | 65              | 5.20         | 132.08 | 1.14           | 0.51           | 1.14 | 0.13 | 2,032 | 0.13 | 40 | PHG 520-MXL-... |
|         | 66              | 5.28         | 134.11 | 1.14           | 0.51           | 1.14 | 0.13 | 2,032 | 0.13 | 40 | PHG 528-MXL-... |
|         | 67              | 5.36         | 136.14 | 1.14           | 0.51           | 1.14 | 0.13 | 2,032 | 0.13 | 40 | PHG 536-MXL-... |
|         | 68              | 5.44         | 138.18 | 1.14           | 0.51           | 1.14 | 0.13 | 2,032 | 0.13 | 40 | PHG 544-MXL-... |
|         | 70              | 5.60         | 142.24 | 1.14           | 0.51           | 1.14 | 0.13 | 2,032 | 0.13 | 40 | PHG 560-MXL-... |
|         | 71              | 5.68         | 144.27 | 1.14           | 0.51           | 1.14 | 0.13 | 2,032 | 0.13 | 40 | PHG 568-MXL-... |
|         | 72              | 5.76         | 146.30 | 1.14           | 0.51           | 1.14 | 0.13 | 2,032 | 0.13 | 40 | PHG 576-MXL-... |
|         | 73              | 5.84         | 148.34 | 1.14           | 0.51           | 1.14 | 0.13 | 2,032 | 0.13 | 40 | PHG 584-MXL-... |
|         | 75              | 6.00         | 152.40 | 1.14           | 0.51           | 1.14 | 0.13 | 2,032 | 0.13 | 40 | PHG 600-MXL-... |
|         | 76              | 6.08         | 154.43 | 1.14           | 0.51           | 1.14 | 0.13 | 2,032 | 0.13 | 40 | PHG 608-MXL-... |
|         | 77              | 6.16         | 156.46 | 1.14           | 0.51           | 1.14 | 0.13 | 2,032 | 0.13 | 40 | PHG 616-MXL-... |
|         | 78              | 6.24         | 158.50 | 1.14           | 0.51           | 1.14 | 0.13 | 2,032 | 0.13 | 40 | PHG 624-MXL-... |
|         | 79              | 6.32         | 160.53 | 1.14           | 0.51           | 1.14 | 0.13 | 2,032 | 0.13 | 40 | PHG 632-MXL-... |
|         | 80              | 6.40         | 162.56 | 1.14           | 0.51           | 1.14 | 0.13 | 2,032 | 0.13 | 40 | PHG 640-MXL-... |
|         | 82              | 6.56         | 166.62 | 1.14           | 0.51           | 1.14 | 0.13 | 2,032 | 0.13 | 40 | PHG 656-MXL-... |
|         | 83              | 6.64         | 168.66 | 1.14           | 0.51           | 1.14 | 0.13 | 2,032 | 0.13 | 40 | PHG 664-MXL-... |
|         | 85              | 6.80         | 172.72 | 1.14           | 0.51           | 1.14 | 0.13 | 2,032 | 0.13 | 40 | PHG 680-MXL-... |
|         | 87              | 6.96         | 176.78 | 1.14           | 0.51           | 1.14 | 0.13 | 2,032 | 0.13 | 40 | PHG 696-MXL-... |
|         | 88              | 7.04         | 178.82 | 1.14           | 0.51           | 1.14 | 0.13 | 2,032 | 0.13 | 40 | PHG 704-MXL-... |
|         | 89              | 7.12         | 180.85 | 1.14           | 0.51           | 1.14 | 0.13 | 2,032 | 0.13 | 40 | PHG 712-MXL-... |
|         | 90              | 7.20         | 182.88 | 1.14           | 0.51           | 1.14 | 0.13 | 2,032 | 0.13 | 40 | PHG 720-MXL-... |
|         | 92              | 7.36         | 186.94 | 1.14           | 0.51           | 1.14 | 0.13 | 2,032 | 0.13 | 40 | PHG 736-MXL-... |
|         | 94              | 7.52         | 191.01 | 1.14           | 0.51           | 1.14 | 0.13 | 2,032 | 0.13 | 40 | PHG 752-MXL-... |
|         | 95              | 7.60         | 193.04 | 1.14           | 0.51           | 1.14 | 0.13 | 2,032 | 0.13 | 40 | PHG 760-MXL-... |
|         | 97              | 7.76         | 197.10 | 1.14           | 0.51           | 1.14 | 0.13 | 2,032 | 0.13 | 40 | PHG 776-MXL-... |
|         | 98              | 7.84         | 199.14 | 1.14           | 0.51           | 1.14 | 0.13 | 2,032 | 0.13 | 40 | PHG 784-MXL-... |
|         | 100             | 8.00         | 203.20 | 1.14           | 0.51           | 1.14 | 0.13 | 2,032 | 0.13 | 40 | PHG 800-MXL-... |
|         | 102             | 8.16         | 207.26 | 1.14           | 0.51           | 1.14 | 0.13 | 2,032 | 0.13 | 40 | PHG 816-MXL-... |
|         | 103             | 8.24         | 209.30 | 1.14           | 0.51           | 1.14 | 0.13 | 2,032 | 0.13 | 40 | PHG 824-MXL-... |
|         | 105             | 8.40         | 213.36 | 1.14           | 0.51           | 1.14 | 0.13 | 2,032 | 0.13 | 40 | PHG 840-MXL-... |
|         | 106             | 8.48         | 215.39 | 1.14           | 0.51           | 1.14 | 0.13 | 2,032 | 0.13 | 40 | PHG 848-MXL-... |
|         | 108             | 8.64         | 219.46 | 1.14           | 0.51           | 1.14 | 0.13 | 2,032 | 0.13 | 40 | PHG 864-MXL-... |
|         | 109             | 8.72         | 221.49 | 1.14           | 0.51           | 1.14 | 0.13 | 2,032 | 0.13 | 40 | PHG 872-MXL-... |

Non-standard lengths may also be available.

To complete designation, add three digits for belt width in 1/100ths of an inch; e.g. for a 1/4" width add 025 or for a 3/8" width add 037.

Full sleeves are available in various widths. Please contact your SKF Authorized Distributor.

# SKF Classical Timing Belts

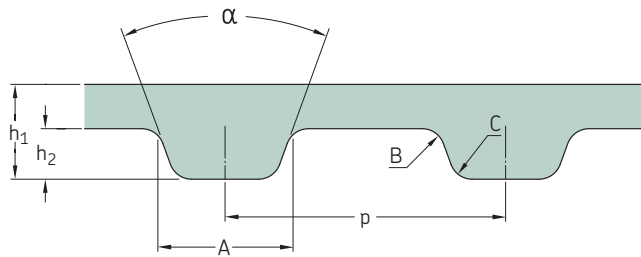
MXL

| Section | Number of teeth | Dimensions   |        |       |       |      |       |       |      |                  | Designation      |
|---------|-----------------|--------------|--------|-------|-------|------|-------|-------|------|------------------|------------------|
|         |                 | Pitch length |        | $h_1$ | $h_2$ | A    | B     | p     | C    | $\alpha$         |                  |
| -       | -               | in.          | mm     |       |       |      |       |       |      | °                | -                |
| MXL     | 110             | 8.80         | 223.52 | 1.14  | 0.51  | 1.14 | 0.13  | 2.032 | 0.13 | 40               | PHG 880-MXL-...  |
|         | 112             | 8.96         | 227.58 | 1.14  | 0.51  | 1.14 | 0.13  | 2.032 | 0.13 | 40               | PHG 896-MXL-...  |
|         | 113             | 9.04         | 229.62 | 1.14  | 0.51  | 1.14 | 0.13  | 2.032 | 0.13 | 40               | PHG 904-MXL-...  |
|         | 114             | 9.12         | 231.65 | 1.14  | 0.51  | 1.14 | 0.13  | 2.032 | 0.13 | 40               | PHG 912-MXL-...  |
|         | 115             | 9.20         | 233.68 | 1.14  | 0.51  | 1.14 | 0.13  | 2.032 | 0.13 | 40               | PHG 920-MXL-...  |
|         | 116             | 9.28         | 235.71 | 1.14  | 0.51  | 1.14 | 0.13  | 2.032 | 0.13 | 40               | PHG 928-MXL-...  |
|         | 118             | 9.44         | 239.78 | 1.14  | 0.51  | 1.14 | 0.13  | 2.032 | 0.13 | 40               | PHG 944-MXL-...  |
|         | 120             | 9.60         | 243.84 | 1.14  | 0.51  | 1.14 | 0.13  | 2.032 | 0.13 | 40               | PHG 960-MXL-...  |
|         | 122             | 9.76         | 247.90 | 1.14  | 0.51  | 1.14 | 0.13  | 2.032 | 0.13 | 40               | PHG 976-MXL-...  |
|         | 123             | 9.84         | 249.94 | 1.14  | 0.51  | 1.14 | 0.13  | 2.032 | 0.13 | 40               | PHG 984-MXL-...  |
|         | 125             | 10.00        | 254.00 | 1.14  | 0.51  | 1.14 | 0.13  | 2.032 | 0.13 | 40               | PHG 1000-MXL-... |
|         | 126             | 10.08        | 256.03 | 1.14  | 0.51  | 1.14 | 0.13  | 2.032 | 0.13 | 40               | PHG 1008-MXL-... |
|         | 132             | 10.56        | 268.22 | 1.14  | 0.51  | 1.14 | 0.13  | 2.032 | 0.13 | 40               | PHG 1056-MXL-... |
|         | 133             | 10.64        | 270.26 | 1.14  | 0.51  | 1.14 | 0.13  | 2.032 | 0.13 | 40               | PHG 1064-MXL-... |
|         | 135             | 10.80        | 274.32 | 1.14  | 0.51  | 1.14 | 0.13  | 2.032 | 0.13 | 40               | PHG 1080-MXL-... |
|         | 136             | 10.88        | 276.35 | 1.14  | 0.51  | 1.14 | 0.13  | 2.032 | 0.13 | 40               | PHG 1088-MXL-... |
|         | 137             | 10.96        | 278.38 | 1.14  | 0.51  | 1.14 | 0.13  | 2.032 | 0.13 | 40               | PHG 1096-MXL-... |
|         | 138             | 11.04        | 280.42 | 1.14  | 0.51  | 1.14 | 0.13  | 2.032 | 0.13 | 40               | PHG 1104-MXL-... |
|         | 139             | 11.12        | 282.45 | 1.14  | 0.51  | 1.14 | 0.13  | 2.032 | 0.13 | 40               | PHG 1112-MXL-... |
|         | 140             | 11.20        | 284.48 | 1.14  | 0.51  | 1.14 | 0.13  | 2.032 | 0.13 | 40               | PHG 1120-MXL-... |
|         | 142             | 11.36        | 288.54 | 1.14  | 0.51  | 1.14 | 0.13  | 2.032 | 0.13 | 40               | PHG 1136-MXL-... |
|         | 144             | 11.52        | 292.61 | 1.14  | 0.51  | 1.14 | 0.13  | 2.032 | 0.13 | 40               | PHG 1152-MXL-... |
|         | 145             | 11.60        | 294.64 | 1.14  | 0.51  | 1.14 | 0.13  | 2.032 | 0.13 | 40               | PHG 1160-MXL-... |
|         | 148             | 11.84        | 300.74 | 1.14  | 0.51  | 1.14 | 0.13  | 2.032 | 0.13 | 40               | PHG 1184-MXL-... |
|         | 149             | 11.92        | 302.77 | 1.14  | 0.51  | 1.14 | 0.13  | 2.032 | 0.13 | 40               | PHG 1192-MXL-... |
|         | 150             | 12.00        | 304.80 | 1.14  | 0.51  | 1.14 | 0.13  | 2.032 | 0.13 | 40               | PHG 1200-MXL-... |
|         | 152             | 12.16        | 308.86 | 1.14  | 0.51  | 1.14 | 0.13  | 2.032 | 0.13 | 40               | PHG 1216-MXL-... |
|         | 153             | 12.24        | 310.90 | 1.14  | 0.51  | 1.14 | 0.13  | 2.032 | 0.13 | 40               | PHG 1224-MXL-... |
|         | 154             | 12.32        | 312.93 | 1.14  | 0.51  | 1.14 | 0.13  | 2.032 | 0.13 | 40               | PHG 1232-MXL-... |
|         | 155             | 12.40        | 314.96 | 1.14  | 0.51  | 1.14 | 0.13  | 2.032 | 0.13 | 40               | PHG 1240-MXL-... |
|         | 156             | 12.48        | 316.99 | 1.14  | 0.51  | 1.14 | 0.13  | 2.032 | 0.13 | 40               | PHG 1248-MXL-... |
|         | 158             | 12.64        | 321.06 | 1.14  | 0.51  | 1.14 | 0.13  | 2.032 | 0.13 | 40               | PHG 1264-MXL-... |
|         | 160             | 12.80        | 325.12 | 1.14  | 0.51  | 1.14 | 0.13  | 2.032 | 0.13 | 40               | PHG 1280-MXL-... |
|         | 162             | 12.96        | 329.18 | 1.14  | 0.51  | 1.14 | 0.13  | 2.032 | 0.13 | 40               | PHG 1296-MXL-... |
|         | 165             | 13.20        | 335.28 | 1.14  | 0.51  | 1.14 | 0.13  | 2.032 | 0.13 | 40               | PHG 1320-MXL-... |
|         | 168             | 13.44        | 341.38 | 1.14  | 0.51  | 1.14 | 0.13  | 2.032 | 0.13 | 40               | PHG 1344-MXL-... |
|         | 170             | 13.60        | 345.44 | 1.14  | 0.51  | 1.14 | 0.13  | 2.032 | 0.13 | 40               | PHG 1360-MXL-... |
|         | 175             | 14.00        | 355.60 | 1.14  | 0.51  | 1.14 | 0.13  | 2.032 | 0.13 | 40               | PHG 1400-MXL-... |
|         | 180             | 14.40        | 365.76 | 1.14  | 0.51  | 1.14 | 0.13  | 2.032 | 0.13 | 40               | PHG 1440-MXL-... |
|         | 184             | 14.72        | 373.89 | 1.14  | 0.51  | 1.14 | 0.13  | 2.032 | 0.13 | 40               | PHG 1472-MXL-... |
| 190     | 15.20           | 386.08       | 1.14   | 0.51  | 1.14  | 0.13 | 2.032 | 0.13  | 40   | PHG 1520-MXL-... |                  |
| 192     | 15.36           | 390.14       | 1.14   | 0.51  | 1.14  | 0.13 | 2.032 | 0.13  | 40   | PHG 1536-MXL-... |                  |
| 194     | 15.52           | 394.21       | 1.14   | 0.51  | 1.14  | 0.13 | 2.032 | 0.13  | 40   | PHG 1552-MXL-... |                  |
| 195     | 15.60           | 396.24       | 1.14   | 0.51  | 1.14  | 0.13 | 2.032 | 0.13  | 40   | PHG 1560-MXL-... |                  |
| 200     | 16.00           | 406.40       | 1.14   | 0.51  | 1.14  | 0.13 | 2.032 | 0.13  | 40   | PHG 1600-MXL-... |                  |
| 206     | 16.48           | 418.59       | 1.14   | 0.51  | 1.14  | 0.13 | 2.032 | 0.13  | 40   | PHG 1648-MXL-... |                  |
| 210     | 16.80           | 426.72       | 1.14   | 0.51  | 1.14  | 0.13 | 2.032 | 0.13  | 40   | PHG 1680-MXL-... |                  |
| 212     | 16.96           | 430.78       | 1.14   | 0.51  | 1.14  | 0.13 | 2.032 | 0.13  | 40   | PHG 1696-MXL-... |                  |
| 221     | 17.68           | 449.07       | 1.14   | 0.51  | 1.14  | 0.13 | 2.032 | 0.13  | 40   | PHG 1768-MXL-... |                  |
| 225     | 18.00           | 457.20       | 1.14   | 0.51  | 1.14  | 0.13 | 2.032 | 0.13  | 40   | PHG 1800-MXL-... |                  |
| 228     | 18.20           | 462.28       | 1.14   | 0.51  | 1.14  | 0.13 | 2.032 | 0.13  | 40   | PHG 1820-MXL-... |                  |
| 232     | 18.56           | 471.42       | 1.14   | 0.51  | 1.14  | 0.13 | 2.032 | 0.13  | 40   | PHG 1856-MXL-... |                  |
| 236     | 18.88           | 479.55       | 1.14   | 0.51  | 1.14  | 0.13 | 2.032 | 0.13  | 40   | PHG 1888-MXL-... |                  |
| 239     | 19.12           | 485.65       | 1.14   | 0.51  | 1.14  | 0.13 | 2.032 | 0.13  | 40   | PHG 1912-MXL-... |                  |
| 240     | 19.20           | 487.68       | 1.14   | 0.51  | 1.14  | 0.13 | 2.032 | 0.13  | 40   | PHG 1920-MXL-... |                  |
| 249     | 19.92           | 505.97       | 1.14   | 0.51  | 1.14  | 0.13 | 2.032 | 0.13  | 40   | PHG 1992-MXL-... |                  |
| 250     | 20.00           | 508.00       | 1.14   | 0.51  | 1.14  | 0.13 | 2.032 | 0.13  | 40   | PHG 2000-MXL-... |                  |
| 256     | 20.48           | 520.19       | 1.14   | 0.51  | 1.14  | 0.13 | 2.032 | 0.13  | 40   | PHG 2048-MXL-... |                  |
| 265     | 21.20           | 538.48       | 1.14   | 0.51  | 1.14  | 0.13 | 2.032 | 0.13  | 40   | PHG 2120-MXL-... |                  |
| 273     | 21.84           | 554.74       | 1.14   | 0.51  | 1.14  | 0.13 | 2.032 | 0.13  | 40   | PHG 2184-MXL-... |                  |
| 276     | 22.08           | 560.83       | 1.14   | 0.51  | 1.14  | 0.13 | 2.032 | 0.13  | 40   | PHG 2208-MXL-... |                  |
| 280     | 22.40           | 568.96       | 1.14   | 0.51  | 1.14  | 0.13 | 2.032 | 0.13  | 40   | PHG 2240-MXL-... |                  |
| 290     | 23.20           | 589.28       | 1.14   | 0.51  | 1.14  | 0.13 | 2.032 | 0.13  | 40   | PHG 2320-MXL-... |                  |
| 295     | 23.60           | 599.44       | 1.14   | 0.51  | 1.14  | 0.13 | 2.032 | 0.13  | 40   | PHG 2360-MXL-... |                  |
| 298     | 23.84           | 605.54       | 1.14   | 0.51  | 1.14  | 0.13 | 2.032 | 0.13  | 40   | PHG 2384-MXL-... |                  |
| 300     | 24.00           | 609.60       | 1.14   | 0.51  | 1.14  | 0.13 | 2.032 | 0.13  | 40   | PHG 2400-MXL-... |                  |
| 305     | 24.40           | 619.76       | 1.14   | 0.51  | 1.14  | 0.13 | 2.032 | 0.13  | 40   | PHG 2440-MXL-... |                  |
| 312     | 24.96           | 633.98       | 1.14   | 0.51  | 1.14  | 0.13 | 2.032 | 0.13  | 40   | PHG 2496-MXL-... |                  |
| 318     | 25.44           | 646.18       | 1.14   | 0.51  | 1.14  | 0.13 | 2.032 | 0.13  | 40   | PHG 2544-MXL-... |                  |
| 320     | 25.60           | 650.24       | 1.14   | 0.51  | 1.14  | 0.13 | 2.032 | 0.13  | 40   | PHG 2560-MXL-... |                  |
| 328     | 26.24           | 666.50       | 1.14   | 0.51  | 1.14  | 0.13 | 2.032 | 0.13  | 40   | PHG 2624-MXL-... |                  |
| 336     | 26.88           | 682.75       | 1.14   | 0.51  | 1.14  | 0.13 | 2.032 | 0.13  | 40   | PHG 2688-MXL-... |                  |
| 347     | 27.76           | 705.10       | 1.14   | 0.51  | 1.14  | 0.13 | 2.032 | 0.13  | 40   | PHG 2776-MXL-... |                  |
| 362     | 28.96           | 735.58       | 1.14   | 0.51  | 1.14  | 0.13 | 2.032 | 0.13  | 40   | PHG 2896-MXL-... |                  |
| 378     | 30.24           | 768.10       | 1.14   | 0.51  | 1.14  | 0.13 | 2.032 | 0.13  | 40   | PHG 3024-MXL-... |                  |
| 400     | 32.00           | 812.80       | 1.14   | 0.51  | 1.14  | 0.13 | 2.032 | 0.13  | 40   | PHG 3200-MXL-... |                  |

Non-standard lengths may also be available.

To complete designation, add three digits for belt width in 1/100ths of an inch; e.g. for a 1/4" width add 025 or for a 3/8" width add 037.

Full sleeves are available in various widths. Please contact your SKF Authorized Distributor.



| Section | Number of teeth | Dimensions   |          | h <sub>1</sub> | h <sub>2</sub> | A    | B    | p     | C    | α  | Designation       |
|---------|-----------------|--------------|----------|----------------|----------------|------|------|-------|------|----|-------------------|
|         |                 | Pitch length |          |                |                |      |      |       |      |    |                   |
|         |                 | in.          | mm       |                |                |      |      |       |      | °  |                   |
| MXL     | 408             | 32.64        | 829,06   | 1,14           | 0,51           | 1,14 | 0,13 | 2,032 | 0,13 | 40 | PHG 3264-MXL-...  |
|         | 448             | 35.84        | 910,34   | 1,14           | 0,51           | 1,14 | 0,13 | 2,032 | 0,13 | 40 | PHG 3584-MXL-...  |
|         | 463             | 37.04        | 940,82   | 1,14           | 0,51           | 1,14 | 0,13 | 2,032 | 0,13 | 40 | PHG 3704-MXL-...  |
|         | 472             | 37.76        | 959,10   | 1,14           | 0,51           | 1,14 | 0,13 | 2,032 | 0,13 | 40 | PHG 3776-MXL-...  |
|         | 504             | 40.32        | 1 024,13 | 1,14           | 0,51           | 1,14 | 0,13 | 2,032 | 0,13 | 40 | PHG 4032-MXL-...  |
|         | 522             | 41.76        | 1 060,70 | 1,14           | 0,51           | 1,14 | 0,13 | 2,032 | 0,13 | 40 | PHG 4176-MXL-...  |
|         | 531             | 42.48        | 1 078,99 | 1,14           | 0,51           | 1,14 | 0,13 | 2,032 | 0,13 | 40 | PHG 4248-MXL-...  |
|         | 546             | 43.68        | 1 109,47 | 1,14           | 0,51           | 1,14 | 0,13 | 2,032 | 0,13 | 40 | PHG 4368-MXL-...  |
|         | 548             | 43.84        | 1 113,54 | 1,14           | 0,51           | 1,14 | 0,13 | 2,032 | 0,13 | 40 | PHG 4384-MXL-...  |
|         | 570             | 45.60        | 1 158,24 | 1,14           | 0,51           | 1,14 | 0,13 | 2,032 | 0,13 | 40 | PHG 4560-MXL-...  |
|         | 583             | 46.64        | 1 184,66 | 1,14           | 0,51           | 1,14 | 0,13 | 2,032 | 0,13 | 40 | PHG 4664-MXL-...  |
|         | 600             | 48.00        | 1 219,20 | 1,14           | 0,51           | 1,14 | 0,13 | 2,032 | 0,13 | 40 | PHG 4800-MXL-...  |
|         | 648             | 51.84        | 1 316,74 | 1,14           | 0,51           | 1,14 | 0,13 | 2,032 | 0,13 | 40 | PHG 5184-MXL-...  |
|         | 680             | 54.40        | 1 381,76 | 1,14           | 0,51           | 1,14 | 0,13 | 2,032 | 0,13 | 40 | PHG 5440-MXL-...  |
|         | 750             | 60.00        | 1 524,00 | 1,14           | 0,51           | 1,14 | 0,13 | 2,032 | 0,13 | 40 | PHG 6000-MXL-...  |
|         | 760             | 60.80        | 1 544,32 | 1,14           | 0,51           | 1,14 | 0,13 | 2,032 | 0,13 | 40 | PHG 6080-MXL-...  |
|         | 800             | 64.00        | 1 625,60 | 1,14           | 0,51           | 1,14 | 0,13 | 2,032 | 0,13 | 40 | PHG 6400-MXL-...  |
|         | 955             | 76.40        | 1 940,56 | 1,14           | 0,51           | 1,14 | 0,13 | 2,032 | 0,13 | 40 | PHG 7640-MXL-...  |
|         | 957             | 76.56        | 1 944,62 | 1,14           | 0,51           | 1,14 | 0,13 | 2,032 | 0,13 | 40 | PHG 7656-MXL-...  |
|         | 1 012           | 80.96        | 2 056,38 | 1,14           | 0,51           | 1,14 | 0,13 | 2,032 | 0,13 | 40 | PHG 8096-MXL-...  |
|         | 1 030           | 82.40        | 2 092,96 | 1,14           | 0,51           | 1,14 | 0,13 | 2,032 | 0,13 | 40 | PHG 8240-MXL-...  |
|         | 1 060           | 84.80        | 2 153,92 | 1,14           | 0,51           | 1,14 | 0,13 | 2,032 | 0,13 | 40 | PHG 8480-MXL-...  |
|         | 1 137           | 90.96        | 2 310,38 | 1,14           | 0,51           | 1,14 | 0,13 | 2,032 | 0,13 | 40 | PHG 9096-MXL-...  |
|         | 1 250           | 100.00       | 2 540,00 | 1,14           | 0,51           | 1,14 | 0,13 | 2,032 | 0,13 | 40 | PHG 10000-MXL-... |
|         | 1 426           | 114.12       | 2 898,65 | 1,14           | 0,51           | 1,14 | 0,13 | 2,032 | 0,13 | 40 | PHG 11412-MXL-... |
|         | 1 463           | 117.00       | 2 971,80 | 1,14           | 0,51           | 1,14 | 0,13 | 2,032 | 0,13 | 40 | PHG 11700-MXL-... |
|         | 1 516           | 121.32       | 3 081,53 | 1,14           | 0,51           | 1,14 | 0,13 | 2,032 | 0,13 | 40 | PHG 12132-MXL-... |
|         | 1 806           | 145.52       | 3 696,21 | 1,14           | 0,51           | 1,14 | 0,13 | 2,032 | 0,13 | 40 | PHG 14552-MXL-... |
|         | 1 875           | 150.00       | 3 810,00 | 1,14           | 0,51           | 1,14 | 0,13 | 2,032 | 0,13 | 40 | PHG 15000-MXL-... |
|         | 2 044           | 163.55       | 4 154,17 | 1,14           | 0,51           | 1,14 | 0,13 | 2,032 | 0,13 | 40 | PHG 16355-MXL-... |
| XL      | 22              | 4.40         | 111,76   | 2,30           | 1,27           | 2,57 | 0,38 | 5,080 | 0,38 | 50 | PHG 44-XL-...     |
|         | 28              | 5.60         | 142,24   | 2,30           | 1,27           | 2,57 | 0,38 | 5,080 | 0,38 | 50 | PHG 56-XL-...     |
|         | 30              | 6.00         | 152,40   | 2,30           | 1,27           | 2,57 | 0,38 | 5,080 | 0,38 | 50 | PHG 60-XL-...     |
|         | 35              | 7.00         | 177,80   | 2,30           | 1,27           | 2,57 | 0,38 | 5,080 | 0,38 | 50 | PHG 70-XL-...     |
|         | 36              | 7.20         | 182,88   | 2,30           | 1,27           | 2,57 | 0,38 | 5,080 | 0,38 | 50 | PHG 72-XL-...     |
|         | 37              | 7.40         | 187,96   | 2,30           | 1,27           | 2,57 | 0,38 | 5,080 | 0,38 | 50 | PHG 74-XL-...     |
|         | 38              | 7.60         | 193,04   | 2,30           | 1,27           | 2,57 | 0,38 | 5,080 | 0,38 | 50 | PHG 76-XL-...     |
|         | 40              | 8.00         | 203,20   | 2,30           | 1,27           | 2,57 | 0,38 | 5,080 | 0,38 | 50 | PHG 80-XL-...     |
|         | 41              | 8.20         | 208,28   | 2,30           | 1,27           | 2,57 | 0,38 | 5,080 | 0,38 | 50 | PHG 82-XL-...     |
|         | 42              | 8.40         | 213,36   | 2,30           | 1,27           | 2,57 | 0,38 | 5,080 | 0,38 | 50 | PHG 84-XL-...     |
|         | 43              | 8.60         | 218,44   | 2,30           | 1,27           | 2,57 | 0,38 | 5,080 | 0,38 | 50 | PHG 86-XL-...     |
|         | 44              | 8.80         | 223,52   | 2,30           | 1,27           | 2,57 | 0,38 | 5,080 | 0,38 | 50 | PHG 88-XL-...     |
|         | 45              | 9.00         | 228,60   | 2,30           | 1,27           | 2,57 | 0,38 | 5,080 | 0,38 | 50 | PHG 90-XL-...     |
|         | 46              | 9.20         | 233,68   | 2,30           | 1,27           | 2,57 | 0,38 | 5,080 | 0,38 | 50 | PHG 92-XL-...     |
|         | 47              | 9.40         | 238,76   | 2,30           | 1,27           | 2,57 | 0,38 | 5,080 | 0,38 | 50 | PHG 94-XL-...     |
|         | 48              | 9.60         | 243,84   | 2,30           | 1,27           | 2,57 | 0,38 | 5,080 | 0,38 | 50 | PHG 96-XL-...     |
|         | 49              | 9.80         | 248,92   | 2,30           | 1,27           | 2,57 | 0,38 | 5,080 | 0,38 | 50 | PHG 98-XL-...     |
|         | 50              | 10.00        | 254,00   | 2,30           | 1,27           | 2,57 | 0,38 | 5,080 | 0,38 | 50 | PHG 100-XL-...    |
|         | 51              | 10.20        | 259,08   | 2,30           | 1,27           | 2,57 | 0,38 | 5,080 | 0,38 | 50 | PHG 102-XL-...    |
|         | 52              | 10.40        | 264,16   | 2,30           | 1,27           | 2,57 | 0,38 | 5,080 | 0,38 | 50 | PHG 104-XL-...    |
|         | 53              | 10.60        | 269,24   | 2,30           | 1,27           | 2,57 | 0,38 | 5,080 | 0,38 | 50 | PHG 106-XL-...    |
|         | 54              | 10.80        | 274,32   | 2,30           | 1,27           | 2,57 | 0,38 | 5,080 | 0,38 | 50 | PHG 108-XL-...    |
|         | 55              | 11.00        | 279,40   | 2,30           | 1,27           | 2,57 | 0,38 | 5,080 | 0,38 | 50 | PHG 110-XL-...    |
|         | 56              | 11.20        | 284,48   | 2,30           | 1,27           | 2,57 | 0,38 | 5,080 | 0,38 | 50 | PHG 112-XL-...    |
|         | 57              | 11.40        | 289,56   | 2,30           | 1,27           | 2,57 | 0,38 | 5,080 | 0,38 | 50 | PHG 114-XL-...    |

Non-standard lengths may also be available.  
 To complete designation, add three digits for belt width in 1/100ths of an inch; e.g. for a 1/4" width add 025 or for a 3/8" width add 037.  
 Full sleeves are available in various widths. Please contact your SKF Authorized Distributor.



# SKF Classical Timing Belts

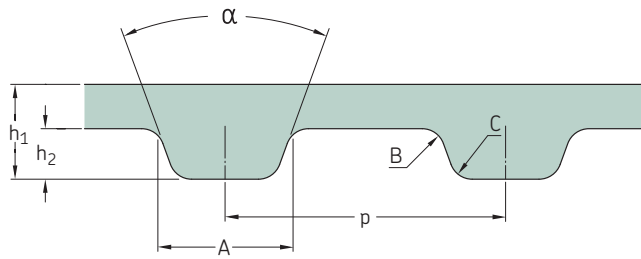
XL

| Section | Number of teeth | Dimensions   |        |       |       |      |      |       |      |          | Designation    |
|---------|-----------------|--------------|--------|-------|-------|------|------|-------|------|----------|----------------|
|         |                 | Pitch length |        | $h_1$ | $h_2$ | A    | B    | p     | C    | $\alpha$ |                |
| -       | -               | in.          | mm     |       |       |      |      |       |      | °        | -              |
| XL      | 58              | 11.60        | 294.64 | 2,30  | 1,27  | 2,57 | 0,38 | 5,080 | 0,38 | 50       | PHG 116-XL-... |
|         | 59              | 11.80        | 299.72 | 2,30  | 1,27  | 2,57 | 0,38 | 5,080 | 0,38 | 50       | PHG 118-XL-... |
|         | 60              | 12.00        | 304.80 | 2,30  | 1,27  | 2,57 | 0,38 | 5,080 | 0,38 | 50       | PHG 120-XL-... |
|         | 61              | 12.20        | 309.88 | 2,30  | 1,27  | 2,57 | 0,38 | 5,080 | 0,38 | 50       | PHG 122-XL-... |
|         | 62              | 12.40        | 314.96 | 2,30  | 1,27  | 2,57 | 0,38 | 5,080 | 0,38 | 50       | PHG 124-XL-... |
|         | 63              | 12.60        | 320.04 | 2,30  | 1,27  | 2,57 | 0,38 | 5,080 | 0,38 | 50       | PHG 126-XL-... |
|         | 64              | 12.80        | 325.12 | 2,30  | 1,27  | 2,57 | 0,38 | 5,080 | 0,38 | 50       | PHG 128-XL-... |
|         | 65              | 13.00        | 330.20 | 2,30  | 1,27  | 2,57 | 0,38 | 5,080 | 0,38 | 50       | PHG 130-XL-... |
|         | 66              | 13.20        | 335.28 | 2,30  | 1,27  | 2,57 | 0,38 | 5,080 | 0,38 | 50       | PHG 132-XL-... |
|         | 67              | 13.40        | 340.36 | 2,30  | 1,27  | 2,57 | 0,38 | 5,080 | 0,38 | 50       | PHG 134-XL-... |
|         | 68              | 13.60        | 345.44 | 2,30  | 1,27  | 2,57 | 0,38 | 5,080 | 0,38 | 50       | PHG 136-XL-... |
|         | 70              | 14.00        | 355.60 | 2,30  | 1,27  | 2,57 | 0,38 | 5,080 | 0,38 | 50       | PHG 140-XL-... |
|         | 71              | 14.20        | 360.68 | 2,30  | 1,27  | 2,57 | 0,38 | 5,080 | 0,38 | 50       | PHG 142-XL-... |
|         | 72              | 14.40        | 365.76 | 2,30  | 1,27  | 2,57 | 0,38 | 5,080 | 0,38 | 50       | PHG 144-XL-... |
|         | 73              | 14.60        | 370.84 | 2,30  | 1,27  | 2,57 | 0,38 | 5,080 | 0,38 | 50       | PHG 146-XL-... |
|         | 74              | 14.80        | 375.92 | 2,30  | 1,27  | 2,57 | 0,38 | 5,080 | 0,38 | 50       | PHG 148-XL-... |
|         | 75              | 15.00        | 381.00 | 2,30  | 1,27  | 2,57 | 0,38 | 5,080 | 0,38 | 50       | PHG 150-XL-... |
|         | 76              | 15.20        | 386.08 | 2,30  | 1,27  | 2,57 | 0,38 | 5,080 | 0,38 | 50       | PHG 152-XL-... |
|         | 77              | 15.40        | 391.16 | 2,30  | 1,27  | 2,57 | 0,38 | 5,080 | 0,38 | 50       | PHG 154-XL-... |
|         | 78              | 15.60        | 396.24 | 2,30  | 1,27  | 2,57 | 0,38 | 5,080 | 0,38 | 50       | PHG 156-XL-... |
|         | 80              | 16.00        | 406.40 | 2,30  | 1,27  | 2,57 | 0,38 | 5,080 | 0,38 | 50       | PHG 160-XL-... |
|         | 81              | 16.20        | 411.48 | 2,30  | 1,27  | 2,57 | 0,38 | 5,080 | 0,38 | 50       | PHG 162-XL-... |
|         | 82              | 16.40        | 416.56 | 2,30  | 1,27  | 2,57 | 0,38 | 5,080 | 0,38 | 50       | PHG 164-XL-... |
|         | 83              | 16.60        | 421.64 | 2,30  | 1,27  | 2,57 | 0,38 | 5,080 | 0,38 | 50       | PHG 166-XL-... |
|         | 84              | 16.80        | 426.72 | 2,30  | 1,27  | 2,57 | 0,38 | 5,080 | 0,38 | 50       | PHG 168-XL-... |
|         | 85              | 17.00        | 431.80 | 2,30  | 1,27  | 2,57 | 0,38 | 5,080 | 0,38 | 50       | PHG 170-XL-... |
|         | 86              | 17.20        | 436.88 | 2,30  | 1,27  | 2,57 | 0,38 | 5,080 | 0,38 | 50       | PHG 172-XL-... |
|         | 88              | 17.60        | 447.04 | 2,30  | 1,27  | 2,57 | 0,38 | 5,080 | 0,38 | 50       | PHG 176-XL-... |
|         | 89              | 17.80        | 452.12 | 2,30  | 1,27  | 2,57 | 0,38 | 5,080 | 0,38 | 50       | PHG 178-XL-... |
|         | 90              | 18.00        | 457.20 | 2,30  | 1,27  | 2,57 | 0,38 | 5,080 | 0,38 | 50       | PHG 180-XL-... |
|         | 91              | 18.20        | 462.28 | 2,30  | 1,27  | 2,57 | 0,38 | 5,080 | 0,38 | 50       | PHG 182-XL-... |
|         | 92              | 18.40        | 467.36 | 2,30  | 1,27  | 2,57 | 0,38 | 5,080 | 0,38 | 50       | PHG 184-XL-... |
|         | 93              | 18.60        | 472.44 | 2,30  | 1,27  | 2,57 | 0,38 | 5,080 | 0,38 | 50       | PHG 186-XL-... |
|         | 94              | 18.80        | 477.52 | 2,30  | 1,27  | 2,57 | 0,38 | 5,080 | 0,38 | 50       | PHG 188-XL-... |
|         | 95              | 19.00        | 482.60 | 2,30  | 1,27  | 2,57 | 0,38 | 5,080 | 0,38 | 50       | PHG 190-XL-... |
|         | 96              | 19.20        | 487.68 | 2,30  | 1,27  | 2,57 | 0,38 | 5,080 | 0,38 | 50       | PHG 192-XL-... |
|         | 97              | 19.40        | 492.76 | 2,30  | 1,27  | 2,57 | 0,38 | 5,080 | 0,38 | 50       | PHG 194-XL-... |
|         | 98              | 19.60        | 497.84 | 2,30  | 1,27  | 2,57 | 0,38 | 5,080 | 0,38 | 50       | PHG 196-XL-... |
|         | 99              | 19.80        | 502.92 | 2,30  | 1,27  | 2,57 | 0,38 | 5,080 | 0,38 | 50       | PHG 198-XL-... |
|         | 100             | 20.00        | 508.00 | 2,30  | 1,27  | 2,57 | 0,38 | 5,080 | 0,38 | 50       | PHG 200-XL-... |
|         | 101             | 20.20        | 513.08 | 2,30  | 1,27  | 2,57 | 0,38 | 5,080 | 0,38 | 50       | PHG 202-XL-... |
|         | 103             | 20.60        | 523.24 | 2,30  | 1,27  | 2,57 | 0,38 | 5,080 | 0,38 | 50       | PHG 206-XL-... |
|         | 104             | 20.80        | 528.32 | 2,30  | 1,27  | 2,57 | 0,38 | 5,080 | 0,38 | 50       | PHG 208-XL-... |
|         | 105             | 21.00        | 533.40 | 2,30  | 1,27  | 2,57 | 0,38 | 5,080 | 0,38 | 50       | PHG 210-XL-... |
|         | 106             | 21.20        | 538.48 | 2,30  | 1,27  | 2,57 | 0,38 | 5,080 | 0,38 | 50       | PHG 212-XL-... |
|         | 107             | 21.40        | 543.56 | 2,30  | 1,27  | 2,57 | 0,38 | 5,080 | 0,38 | 50       | PHG 214-XL-... |
|         | 109             | 21.80        | 553.72 | 2,30  | 1,27  | 2,57 | 0,38 | 5,080 | 0,38 | 50       | PHG 218-XL-... |
|         | 110             | 22.00        | 558.80 | 2,30  | 1,27  | 2,57 | 0,38 | 5,080 | 0,38 | 50       | PHG 220-XL-... |
|         | 113             | 22.60        | 574.04 | 2,30  | 1,27  | 2,57 | 0,38 | 5,080 | 0,38 | 50       | PHG 226-XL-... |
|         | 114             | 22.80        | 579.12 | 2,30  | 1,27  | 2,57 | 0,38 | 5,080 | 0,38 | 50       | PHG 228-XL-... |
|         | 115             | 23.00        | 584.20 | 2,30  | 1,27  | 2,57 | 0,38 | 5,080 | 0,38 | 50       | PHG 230-XL-... |
|         | 117             | 23.40        | 594.36 | 2,30  | 1,27  | 2,57 | 0,38 | 5,080 | 0,38 | 50       | PHG 234-XL-... |
|         | 118             | 23.60        | 599.44 | 2,30  | 1,27  | 2,57 | 0,38 | 5,080 | 0,38 | 50       | PHG 236-XL-... |
|         | 120             | 24.00        | 609.60 | 2,30  | 1,27  | 2,57 | 0,38 | 5,080 | 0,38 | 50       | PHG 240-XL-... |
|         | 124             | 24.80        | 629.92 | 2,30  | 1,27  | 2,57 | 0,38 | 5,080 | 0,38 | 50       | PHG 248-XL-... |
|         | 125             | 25.00        | 635.00 | 2,30  | 1,27  | 2,57 | 0,38 | 5,080 | 0,38 | 50       | PHG 250-XL-... |
|         | 128             | 25.60        | 650.24 | 2,30  | 1,27  | 2,57 | 0,38 | 5,080 | 0,38 | 50       | PHG 256-XL-... |
|         | 130             | 26.00        | 660.40 | 2,30  | 1,27  | 2,57 | 0,38 | 5,080 | 0,38 | 50       | PHG 260-XL-... |
|         | 132             | 26.40        | 670.56 | 2,30  | 1,27  | 2,57 | 0,38 | 5,080 | 0,38 | 50       | PHG 264-XL-... |
|         | 135             | 27.00        | 685.80 | 2,30  | 1,27  | 2,57 | 0,38 | 5,080 | 0,38 | 50       | PHG 270-XL-... |
|         | 137             | 27.40        | 695.96 | 2,30  | 1,27  | 2,57 | 0,38 | 5,080 | 0,38 | 50       | PHG 274-XL-... |
|         | 138             | 27.60        | 701.04 | 2,30  | 1,27  | 2,57 | 0,38 | 5,080 | 0,38 | 50       | PHG 276-XL-... |
|         | 140             | 28.00        | 711.20 | 2,30  | 1,27  | 2,57 | 0,38 | 5,080 | 0,38 | 50       | PHG 280-XL-... |
|         | 141             | 28.20        | 716.28 | 2,30  | 1,27  | 2,57 | 0,38 | 5,080 | 0,38 | 50       | PHG 282-XL-... |
|         | 143             | 28.60        | 726.44 | 2,30  | 1,27  | 2,57 | 0,38 | 5,080 | 0,38 | 50       | PHG 286-XL-... |
|         | 145             | 29.00        | 736.60 | 2,30  | 1,27  | 2,57 | 0,38 | 5,080 | 0,38 | 50       | PHG 290-XL-... |
|         | 150             | 30.00        | 762.00 | 2,30  | 1,27  | 2,57 | 0,38 | 5,080 | 0,38 | 50       | PHG 300-XL-... |
|         | 152             | 30.40        | 772.16 | 2,30  | 1,27  | 2,57 | 0,38 | 5,080 | 0,38 | 50       | PHG 304-XL-... |
|         | 153             | 30.60        | 777.24 | 2,30  | 1,27  | 2,57 | 0,38 | 5,080 | 0,38 | 50       | PHG 306-XL-... |
|         | 155             | 31.00        | 787.40 | 2,30  | 1,27  | 2,57 | 0,38 | 5,080 | 0,38 | 50       | PHG 310-XL-... |
|         | 158             | 31.60        | 802.64 | 2,30  | 1,27  | 2,57 | 0,38 | 5,080 | 0,38 | 50       | PHG 316-XL-... |
|         | 160             | 32.00        | 812.80 | 2,30  | 1,27  | 2,57 | 0,38 | 5,080 | 0,38 | 50       | PHG 320-XL-... |
|         | 161             | 32.20        | 817.88 | 2,30  | 1,27  | 2,57 | 0,38 | 5,080 | 0,38 | 50       | PHG 322-XL-... |
|         | 163             | 32.60        | 828.04 | 2,30  | 1,27  | 2,57 | 0,38 | 5,080 | 0,38 | 50       | PHG 326-XL-... |
|         | 165             | 33.00        | 838.20 | 2,30  | 1,27  | 2,57 | 0,38 | 5,080 | 0,38 | 50       | PHG 330-XL-... |
|         | 170             | 34.00        | 863.60 | 2,30  | 1,27  | 2,57 | 0,38 | 5,080 | 0,38 | 50       | PHG 340-XL-... |

Non-standard lengths may also be available.

To complete designation, add three digits for belt width in 1/100ths of an inch; e.g. for a 1/4" width add 025 or for a 3/8" width add 037.

Full sleeves are available in various widths. Please contact your SKF Authorized Distributor.



| Section | Number of teeth | Dimensions   |          | h <sub>1</sub> | h <sub>2</sub> | A    | B    | p     | C     | α    | Designation     |
|---------|-----------------|--------------|----------|----------------|----------------|------|------|-------|-------|------|-----------------|
|         |                 | Pitch length |          |                |                |      |      |       |       |      |                 |
| -       | -               | in.          | mm       |                |                |      |      |       |       | °    | -               |
| XL      | 172             | 34.40        | 873.76   | 2,30           | 1,27           | 2,57 | 0,38 | 5,080 | 0,38  | 50   | PHG 344-XL-...  |
|         | 174             | 34.80        | 883.92   | 2,30           | 1,27           | 2,57 | 0,38 | 5,080 | 0,38  | 50   | PHG 348-XL-...  |
|         | 176             | 35.20        | 894.08   | 2,30           | 1,27           | 2,57 | 0,38 | 5,080 | 0,38  | 50   | PHG 352-XL-...  |
|         | 178             | 35.60        | 904.24   | 2,30           | 1,27           | 2,57 | 0,38 | 5,080 | 0,38  | 50   | PHG 356-XL-...  |
|         | 180             | 36.00        | 914.40   | 2,30           | 1,27           | 2,57 | 0,38 | 5,080 | 0,38  | 50   | PHG 360-XL-...  |
|         | 181             | 36.20        | 919.48   | 2,30           | 1,27           | 2,57 | 0,38 | 5,080 | 0,38  | 50   | PHG 362-XL-...  |
|         | 182             | 36.40        | 924.56   | 2,30           | 1,27           | 2,57 | 0,38 | 5,080 | 0,38  | 50   | PHG 364-XL-...  |
|         | 186             | 37.20        | 944.88   | 2,30           | 1,27           | 2,57 | 0,38 | 5,080 | 0,38  | 50   | PHG 372-XL-...  |
|         | 188             | 37.60        | 955.04   | 2,30           | 1,27           | 2,57 | 0,38 | 5,080 | 0,38  | 50   | PHG 376-XL-...  |
|         | 190             | 38.00        | 965.20   | 2,30           | 1,27           | 2,57 | 0,38 | 5,080 | 0,38  | 50   | PHG 380-XL-...  |
|         | 192             | 38.40        | 975.36   | 2,30           | 1,27           | 2,57 | 0,38 | 5,080 | 0,38  | 50   | PHG 384-XL-...  |
|         | 195             | 39.00        | 990.60   | 2,30           | 1,27           | 2,57 | 0,38 | 5,080 | 0,38  | 50   | PHG 390-XL-...  |
|         | 196             | 39.20        | 995.68   | 2,30           | 1,27           | 2,57 | 0,38 | 5,080 | 0,38  | 50   | PHG 392-XL-...  |
|         | 200             | 40.00        | 1 016.00 | 2,30           | 1,27           | 2,57 | 0,38 | 5,080 | 0,38  | 50   | PHG 400-XL-...  |
|         | 206             | 41.20        | 1 046.48 | 2,30           | 1,27           | 2,57 | 0,38 | 5,080 | 0,38  | 50   | PHG 412-XL-...  |
|         | 207             | 41.40        | 1 051.56 | 2,30           | 1,27           | 2,57 | 0,38 | 5,080 | 0,38  | 50   | PHG 414-XL-...  |
|         | 212             | 42.40        | 1 076.96 | 2,30           | 1,27           | 2,57 | 0,38 | 5,080 | 0,38  | 50   | PHG 424-XL-...  |
|         | 215             | 43.00        | 1 092.20 | 2,30           | 1,27           | 2,57 | 0,38 | 5,080 | 0,38  | 50   | PHG 430-XL-...  |
|         | 216             | 43.20        | 1 097.28 | 2,30           | 1,27           | 2,57 | 0,38 | 5,080 | 0,38  | 50   | PHG 432-XL-...  |
|         | 217             | 43.40        | 1 102.36 | 2,30           | 1,27           | 2,57 | 0,38 | 5,080 | 0,38  | 50   | PHG 434-XL-...  |
|         | 225             | 45.00        | 1 143.00 | 2,30           | 1,27           | 2,57 | 0,38 | 5,080 | 0,38  | 50   | PHG 450-XL-...  |
|         | 230             | 46.00        | 1 168.40 | 2,30           | 1,27           | 2,57 | 0,38 | 5,080 | 0,38  | 50   | PHG 460-XL-...  |
|         | 240             | 48.00        | 1 219.20 | 2,30           | 1,27           | 2,57 | 0,38 | 5,080 | 0,38  | 50   | PHG 480-XL-...  |
|         | 245             | 49.00        | 1 244.60 | 2,30           | 1,27           | 2,57 | 0,38 | 5,080 | 0,38  | 50   | PHG 490-XL-...  |
|         | 246             | 49.20        | 1 249.68 | 2,30           | 1,27           | 2,57 | 0,38 | 5,080 | 0,38  | 50   | PHG 492-XL-...  |
|         | 257             | 51.40        | 1 305.56 | 2,30           | 1,27           | 2,57 | 0,38 | 5,080 | 0,38  | 50   | PHG 514-XL-...  |
|         | 280             | 56.00        | 1 422.40 | 2,30           | 1,27           | 2,57 | 0,38 | 5,080 | 0,38  | 50   | PHG 560-XL-...  |
|         | 282             | 56.40        | 1 432.56 | 2,30           | 1,27           | 2,57 | 0,38 | 5,080 | 0,38  | 50   | PHG 564-XL-...  |
|         | 290             | 58.00        | 1 473.20 | 2,30           | 1,27           | 2,57 | 0,38 | 5,080 | 0,38  | 50   | PHG 580-XL-...  |
|         | 306             | 61.20        | 1 554.48 | 2,30           | 1,27           | 2,57 | 0,38 | 5,080 | 0,38  | 50   | PHG 612-XL-...  |
|         | 315             | 63.00        | 1 600.20 | 2,30           | 1,27           | 2,57 | 0,38 | 5,080 | 0,38  | 50   | PHG 630-XL-...  |
|         | 335             | 67.00        | 1 701.80 | 2,30           | 1,27           | 2,57 | 0,38 | 5,080 | 0,38  | 50   | PHG 670-XL-...  |
|         | 336             | 67.20        | 1 706.88 | 2,30           | 1,27           | 2,57 | 0,38 | 5,080 | 0,38  | 50   | PHG 672-XL-...  |
|         | 343             | 68.60        | 1 742.44 | 2,30           | 1,27           | 2,57 | 0,38 | 5,080 | 0,38  | 50   | PHG 686-XL-...  |
|         | 355             | 71.00        | 1 803.40 | 2,30           | 1,27           | 2,57 | 0,38 | 5,080 | 0,38  | 50   | PHG 710-XL-...  |
|         | 360             | 72.00        | 1 828.80 | 2,30           | 1,27           | 2,57 | 0,38 | 5,080 | 0,38  | 50   | PHG 720-XL-...  |
|         | 368             | 73.60        | 1 869.44 | 2,30           | 1,27           | 2,57 | 0,38 | 5,080 | 0,38  | 50   | PHG 736-XL-...  |
|         | 394             | 78.80        | 2 001.52 | 2,30           | 1,27           | 2,57 | 0,38 | 5,080 | 0,38  | 50   | PHG 788-XL-...  |
|         | 430             | 86.00        | 2 184.40 | 2,30           | 1,27           | 2,57 | 0,38 | 5,080 | 0,38  | 50   | PHG 860-XL-...  |
|         | 516             | 103.20       | 2 621.28 | 2,30           | 1,27           | 2,57 | 0,38 | 5,080 | 0,38  | 50   | PHG 1032-XL-... |
|         | 610             | 122.00       | 3 098.80 | 2,30           | 1,27           | 2,57 | 0,38 | 5,080 | 0,38  | 50   | PHG 1220-XL-... |
|         | 650             | 130.00       | 3 302.00 | 2,30           | 1,27           | 2,57 | 0,38 | 5,080 | 0,38  | 50   | PHG 1300-XL-... |
|         | 747             | 149.40       | 3 794.76 | 2,30           | 1,27           | 2,57 | 0,38 | 5,080 | 0,38  | 50   | PHG 1494-XL-... |
|         | 1 064           | 212.80       | 5 405.12 | 2,30           | 1,27           | 2,57 | 0,38 | 5,080 | 0,38  | 50   | PHG 2128-XL-... |
|         | L               | 18           | 6.75     | 171.45         | 3,60           | 1,91 | 4,65 | 0,51  | 9,525 | 0,51 | 40              |
| 26      |                 | 9.75         | 247.65   | 3,60           | 1,91           | 4,65 | 0,51 | 9,525 | 0,51  | 40   | PHG 98-L-...    |
| 29      |                 | 10.88        | 276.23   | 3,60           | 1,91           | 4,65 | 0,51 | 9,525 | 0,51  | 40   | PHG 109-L-...   |
| 30      |                 | 11.25        | 285.75   | 3,60           | 1,91           | 4,65 | 0,51 | 9,525 | 0,51  | 40   | PHG 113-L-...   |
| 33      |                 | 12.38        | 314.33   | 3,60           | 1,91           | 4,65 | 0,51 | 9,525 | 0,51  | 40   | PHG 124-L-...   |
| 35      |                 | 13.13        | 333.38   | 3,60           | 1,91           | 4,65 | 0,51 | 9,525 | 0,51  | 40   | PHG 130-L-...   |
| 36      |                 | 13.50        | 342.90   | 3,60           | 1,91           | 4,65 | 0,51 | 9,525 | 0,51  | 40   | PHG 135-L-...   |
| 38      |                 | 14.25        | 361.95   | 3,60           | 1,91           | 4,65 | 0,51 | 9,525 | 0,51  | 40   | PHG 143-L-...   |
| 40      |                 | 15.00        | 381.00   | 3,60           | 1,91           | 4,65 | 0,51 | 9,525 | 0,51  | 40   | PHG 150-L-...   |
| 41      |                 | 15.38        | 390.53   | 3,60           | 1,91           | 4,65 | 0,51 | 9,525 | 0,51  | 40   | PHG 154-L-...   |

Non-standard lengths may also be available.  
 To complete designation, add three digits for belt width in 1/100ths of an inch; e.g. for a 1/4" width add 025 or for a 3/8" width add 037.  
 Full sleeves are available in various widths. Please contact your SKF Authorized Distributor.

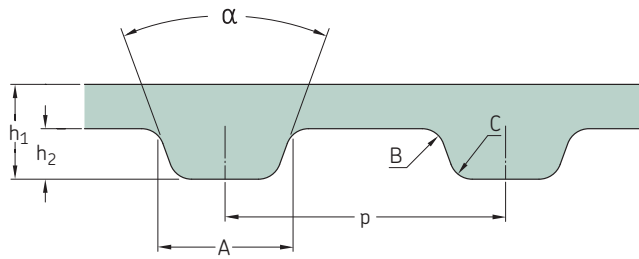
# SKF Classical Timing Belts

L

| Section | Number of teeth | Dimensions   |          | h <sub>1</sub> | h <sub>2</sub> | A    | B    | p     | C    | α  | Designation   |
|---------|-----------------|--------------|----------|----------------|----------------|------|------|-------|------|----|---------------|
|         |                 | Pitch length |          |                |                |      |      |       |      |    |               |
| -       | -               | in.          | mm       | -              | -              | -    | -    | -     | -    | °  | -             |
| L       | 42              | 15.75        | 400.05   | 3,60           | 1,91           | 4,65 | 0,51 | 9,525 | 0,51 | 40 | PHG 158-L-... |
|         | 43              | 16.13        | 409.58   | 3,60           | 1,91           | 4,65 | 0,51 | 9,525 | 0,51 | 40 | PHG 160-L-... |
|         | 44              | 16.50        | 419.10   | 3,60           | 1,91           | 4,65 | 0,51 | 9,525 | 0,51 | 40 | PHG 165-L-... |
|         | 45              | 16.88        | 428.63   | 3,60           | 1,91           | 4,65 | 0,51 | 9,525 | 0,51 | 40 | PHG 169-L-... |
|         | 46              | 17.25        | 438.15   | 3,60           | 1,91           | 4,65 | 0,51 | 9,525 | 0,51 | 40 | PHG 173-L-... |
|         | 47              | 17.63        | 447.68   | 3,60           | 1,91           | 4,65 | 0,51 | 9,525 | 0,51 | 40 | PHG 177-L-... |
|         | 48              | 18.00        | 457.20   | 3,60           | 1,91           | 4,65 | 0,51 | 9,525 | 0,51 | 40 | PHG 180-L-... |
|         | 49              | 18.38        | 466.73   | 3,60           | 1,91           | 4,65 | 0,51 | 9,525 | 0,51 | 40 | PHG 185-L-... |
|         | 50              | 18.75        | 476.25   | 3,60           | 1,91           | 4,65 | 0,51 | 9,525 | 0,51 | 40 | PHG 187-L-... |
|         | 51              | 19.13        | 485.78   | 3,60           | 1,91           | 4,65 | 0,51 | 9,525 | 0,51 | 40 | PHG 191-L-... |
|         | 52              | 19.50        | 495.30   | 3,60           | 1,91           | 4,65 | 0,51 | 9,525 | 0,51 | 40 | PHG 195-L-... |
|         | 54              | 20.25        | 514.35   | 3,60           | 1,91           | 4,65 | 0,51 | 9,525 | 0,51 | 40 | PHG 203-L-... |
|         | 56              | 21.00        | 533.40   | 3,60           | 1,91           | 4,65 | 0,51 | 9,525 | 0,51 | 40 | PHG 210-L-... |
|         | 57              | 21.38        | 542.93   | 3,60           | 1,91           | 4,65 | 0,51 | 9,525 | 0,51 | 40 | PHG 214-L-... |
|         | 58              | 21.75        | 552.45   | 3,60           | 1,91           | 4,65 | 0,51 | 9,525 | 0,51 | 40 | PHG 217-L-... |
|         | 60              | 22.50        | 571.50   | 3,60           | 1,91           | 4,65 | 0,51 | 9,525 | 0,51 | 40 | PHG 225-L-... |
|         | 62              | 23.25        | 590.55   | 3,60           | 1,91           | 4,65 | 0,51 | 9,525 | 0,51 | 40 | PHG 232-L-... |
|         | 63              | 23.60        | 599.44   | 3,60           | 1,91           | 4,65 | 0,51 | 9,525 | 0,51 | 40 | PHG 236-L-... |
|         | 64              | 24.00        | 609.60   | 3,60           | 1,91           | 4,65 | 0,51 | 9,525 | 0,51 | 40 | PHG 240-L-... |
|         | 65              | 24.38        | 619.13   | 3,60           | 1,91           | 4,65 | 0,51 | 9,525 | 0,51 | 40 | PHG 244-L-... |
|         | 68              | 25.50        | 647.70   | 3,60           | 1,91           | 4,65 | 0,51 | 9,525 | 0,51 | 40 | PHG 255-L-... |
|         | 69              | 25.80        | 655.32   | 3,60           | 1,91           | 4,65 | 0,51 | 9,525 | 0,51 | 40 | PHG 258-L-... |
|         | 70              | 26.25        | 666.75   | 3,60           | 1,91           | 4,65 | 0,51 | 9,525 | 0,51 | 40 | PHG 263-L-... |
|         | 71              | 26.63        | 676.28   | 3,60           | 1,91           | 4,65 | 0,51 | 9,525 | 0,51 | 40 | PHG 265-L-... |
|         | 72              | 27.00        | 685.80   | 3,60           | 1,91           | 4,65 | 0,51 | 9,525 | 0,51 | 40 | PHG 270-L-... |
|         | 73              | 27.38        | 695.33   | 3,60           | 1,91           | 4,65 | 0,51 | 9,525 | 0,51 | 40 | PHG 275-L-... |
|         | 74              | 27.75        | 704.85   | 3,60           | 1,91           | 4,65 | 0,51 | 9,525 | 0,51 | 40 | PHG 277-L-... |
|         | 75              | 28.13        | 714.38   | 3,60           | 1,91           | 4,65 | 0,51 | 9,525 | 0,51 | 40 | PHG 280-L-... |
|         | 76              | 28.50        | 723.90   | 3,60           | 1,91           | 4,65 | 0,51 | 9,525 | 0,51 | 40 | PHG 285-L-... |
|         | 80              | 30.00        | 762.00   | 3,60           | 1,91           | 4,65 | 0,51 | 9,525 | 0,51 | 40 | PHG 300-L-... |
|         | 81              | 30.38        | 771.53   | 3,60           | 1,91           | 4,65 | 0,51 | 9,525 | 0,51 | 40 | PHG 304-L-... |
|         | 84              | 31.50        | 800.10   | 3,60           | 1,91           | 4,65 | 0,51 | 9,525 | 0,51 | 40 | PHG 315-L-... |
|         | 85              | 31.88        | 809.63   | 3,60           | 1,91           | 4,65 | 0,51 | 9,525 | 0,51 | 40 | PHG 320-L-... |
|         | 86              | 32.25        | 819.15   | 3,60           | 1,91           | 4,65 | 0,51 | 9,525 | 0,51 | 40 | PHG 322-L-... |
|         | 87              | 32.63        | 828.68   | 3,60           | 1,91           | 4,65 | 0,51 | 9,525 | 0,51 | 40 | PHG 328-L-... |
|         | 88              | 33.00        | 838.20   | 3,60           | 1,91           | 4,65 | 0,51 | 9,525 | 0,51 | 40 | PHG 330-L-... |
|         | 89              | 33.38        | 847.73   | 3,60           | 1,91           | 4,65 | 0,51 | 9,525 | 0,51 | 40 | PHG 334-L-... |
|         | 90              | 33.75        | 857.25   | 3,60           | 1,91           | 4,65 | 0,51 | 9,525 | 0,51 | 40 | PHG 337-L-... |
|         | 91              | 34.13        | 866.78   | 3,60           | 1,91           | 4,65 | 0,51 | 9,525 | 0,51 | 40 | PHG 341-L-... |
|         | 92              | 34.50        | 876.30   | 3,60           | 1,91           | 4,65 | 0,51 | 9,525 | 0,51 | 40 | PHG 345-L-... |
|         | 94              | 35.25        | 895.35   | 3,60           | 1,91           | 4,65 | 0,51 | 9,525 | 0,51 | 40 | PHG 352-L-... |
|         | 96              | 36.00        | 914.40   | 3,60           | 1,91           | 4,65 | 0,51 | 9,525 | 0,51 | 40 | PHG 360-L-... |
|         | 98              | 36.75        | 933.45   | 3,60           | 1,91           | 4,65 | 0,51 | 9,525 | 0,51 | 40 | PHG 367-L-... |
|         | 99              | 37.13        | 942.98   | 3,60           | 1,91           | 4,65 | 0,51 | 9,525 | 0,51 | 40 | PHG 371-L-... |
|         | 100             | 37.50        | 952.50   | 3,60           | 1,91           | 4,65 | 0,51 | 9,525 | 0,51 | 40 | PHG 375-L-... |
|         | 102             | 38.25        | 971.55   | 3,60           | 1,91           | 4,65 | 0,51 | 9,525 | 0,51 | 40 | PHG 382-L-... |
|         | 103             | 38.63        | 981.08   | 3,60           | 1,91           | 4,65 | 0,51 | 9,525 | 0,51 | 40 | PHG 387-L-... |
|         | 104             | 39.00        | 990.60   | 3,60           | 1,91           | 4,65 | 0,51 | 9,525 | 0,51 | 40 | PHG 390-L-... |
|         | 105             | 39.38        | 1 000.13 | 3,60           | 1,91           | 4,65 | 0,51 | 9,525 | 0,51 | 40 | PHG 394-L-... |
|         | 106             | 39.75        | 1 009.65 | 3,60           | 1,91           | 4,65 | 0,51 | 9,525 | 0,51 | 40 | PHG 397-L-... |
|         | 108             | 40.50        | 1 028.70 | 3,60           | 1,91           | 4,65 | 0,51 | 9,525 | 0,51 | 40 | PHG 405-L-... |
|         | 109             | 40.88        | 1 038.23 | 3,60           | 1,91           | 4,65 | 0,51 | 9,525 | 0,51 | 40 | PHG 408-L-... |
|         | 110             | 41.25        | 1 047.75 | 3,60           | 1,91           | 4,65 | 0,51 | 9,525 | 0,51 | 40 | PHG 412-L-... |
|         | 112             | 42.00        | 1 066.80 | 3,60           | 1,91           | 4,65 | 0,51 | 9,525 | 0,51 | 40 | PHG 420-L-... |
|         | 114             | 42.75        | 1 085.85 | 3,60           | 1,91           | 4,65 | 0,51 | 9,525 | 0,51 | 40 | PHG 427-L-... |
|         | 116             | 43.50        | 1 104.90 | 3,60           | 1,91           | 4,65 | 0,51 | 9,525 | 0,51 | 40 | PHG 435-L-... |
|         | 117             | 43.88        | 1 114.43 | 3,60           | 1,91           | 4,65 | 0,51 | 9,525 | 0,51 | 40 | PHG 439-L-... |
|         | 119             | 44.20        | 1 122.68 | 3,60           | 1,91           | 4,65 | 0,51 | 9,525 | 0,51 | 40 | PHG 442-L-... |
|         | 120             | 45.00        | 1 143.00 | 3,60           | 1,91           | 4,65 | 0,51 | 9,525 | 0,51 | 40 | PHG 450-L-... |
|         | 121             | 45.38        | 1 152.53 | 3,60           | 1,91           | 4,65 | 0,51 | 9,525 | 0,51 | 40 | PHG 453-L-... |
|         | 123             | 46.13        | 1 171.70 | 3,60           | 1,91           | 4,65 | 0,51 | 9,525 | 0,51 | 40 | PHG 461-L-... |
|         | 124             | 46.50        | 1 181.10 | 3,60           | 1,91           | 4,65 | 0,51 | 9,525 | 0,51 | 40 | PHG 465-L-... |
|         | 128             | 48.00        | 1 219.20 | 3,60           | 1,91           | 4,65 | 0,51 | 9,525 | 0,51 | 40 | PHG 480-L-... |
|         | 132             | 49.50        | 1 257.30 | 3,60           | 1,91           | 4,65 | 0,51 | 9,525 | 0,51 | 40 | PHG 495-L-... |
|         | 133             | 50.00        | 1 270.00 | 3,60           | 1,91           | 4,65 | 0,51 | 9,525 | 0,51 | 40 | PHG 500-L-... |
|         | 136             | 51.00        | 1 295.40 | 3,60           | 1,91           | 4,65 | 0,51 | 9,525 | 0,51 | 40 | PHG 510-L-... |
|         | 138             | 51.80        | 1 315.72 | 3,60           | 1,91           | 4,65 | 0,51 | 9,525 | 0,51 | 40 | PHG 518-L-... |
|         | 140             | 52.50        | 1 333.50 | 3,60           | 1,91           | 4,65 | 0,51 | 9,525 | 0,51 | 40 | PHG 525-L-... |
|         | 144             | 54.00        | 1 371.60 | 3,60           | 1,91           | 4,65 | 0,51 | 9,525 | 0,51 | 40 | PHG 540-L-... |
|         | 148             | 55.50        | 1 409.70 | 3,60           | 1,91           | 4,65 | 0,51 | 9,525 | 0,51 | 40 | PHG 555-L-... |
|         | 148             | 54.80        | 1 391.92 | 3,60           | 1,91           | 4,65 | 0,51 | 9,525 | 0,51 | 40 | PHG 548-L-... |
|         | 152             | 57.00        | 1 447.80 | 3,60           | 1,91           | 4,65 | 0,51 | 9,525 | 0,51 | 40 | PHG 570-L-... |
|         | 153             | 57.38        | 1 457.33 | 3,60           | 1,91           | 4,65 | 0,51 | 9,525 | 0,51 | 40 | PHG 574-L-... |
|         | 155             | 58.13        | 1 476.38 | 3,60           | 1,91           | 4,65 | 0,51 | 9,525 | 0,51 | 40 | PHG 581-L-... |
|         | 156             | 58.50        | 1 485.90 | 3,60           | 1,91           | 4,65 | 0,51 | 9,525 | 0,51 | 40 | PHG 585-L-... |
|         | 160             | 60.00        | 1 524.00 | 3,60           | 1,91           | 4,65 | 0,51 | 9,525 | 0,51 | 40 | PHG 600-L-... |

Non-standard lengths may also be available.

To complete designation, add three digits for belt width in 1/100ths of an inch; e.g. for a 1/4" width add 025 or for a 3/8" width add 037. Full sleeves are available in various widths. Please contact your SKF Authorized Distributor.



| Section | Number of teeth | Dimensions   |          | h <sub>1</sub> | h <sub>2</sub> | A    | B    | p      | C      | α    | Designation    |               |
|---------|-----------------|--------------|----------|----------------|----------------|------|------|--------|--------|------|----------------|---------------|
|         |                 | Pitch length |          |                |                |      |      |        |        |      |                |               |
| -       | -               | in.          | mm       |                |                |      |      |        |        | °    | -              |               |
| L       | 165             | 61.88        | 1 571.63 | 3,60           | 1,91           | 4,65 | 0,51 | 9,525  | 0,51   | 40   | PHG 619-L-...  |               |
|         | 168             | 63.00        | 1 600.20 | 3,60           | 1,91           | 4,65 | 0,51 | 9,525  | 0,51   | 40   | PHG 630-L-...  |               |
|         | 169             | 63.38        | 1 609.73 | 3,60           | 1,91           | 4,65 | 0,51 | 9,525  | 0,51   | 40   | PHG 634-L-...  |               |
|         | 176             | 66.00        | 1 676.40 | 3,60           | 1,91           | 4,65 | 0,51 | 9,525  | 0,51   | 40   | PHG 660-L-...  |               |
|         | 185             | 69.38        | 1 762.13 | 3,60           | 1,91           | 4,65 | 0,51 | 9,525  | 0,51   | 40   | PHG 694-L-...  |               |
|         | 186             | 69.75        | 1 771.65 | 3,60           | 1,91           | 4,65 | 0,51 | 9,525  | 0,51   | 40   | PHG 697-L-...  |               |
|         | 187             | 70.13        | 1 781.30 | 3,60           | 1,91           | 4,65 | 0,51 | 9,525  | 0,51   | 40   | PHG 701-L-...  |               |
|         | 192             | 72.00        | 1 828.80 | 3,60           | 1,91           | 4,65 | 0,51 | 9,525  | 0,51   | 40   | PHG 720-L-...  |               |
|         | 194             | 72.75        | 1 847.85 | 3,60           | 1,91           | 4,65 | 0,51 | 9,525  | 0,51   | 40   | PHG 728-L-...  |               |
|         | 195             | 73.13        | 1 857.38 | 3,60           | 1,91           | 4,65 | 0,51 | 9,525  | 0,51   | 40   | PHG 731-L-...  |               |
|         | 204             | 76.50        | 1 943.10 | 3,60           | 1,91           | 4,65 | 0,51 | 9,525  | 0,51   | 40   | PHG 765-L-...  |               |
|         | 218             | 81.75        | 2 076.45 | 3,60           | 1,91           | 4,65 | 0,51 | 9,525  | 0,51   | 40   | PHG 817-L-...  |               |
|         | 224             | 84.00        | 2 133.60 | 3,60           | 1,91           | 4,65 | 0,51 | 9,525  | 0,51   | 40   | PHG 840-L-...  |               |
|         | 228             | 85.50        | 2 171.70 | 3,60           | 1,91           | 4,65 | 0,51 | 9,525  | 0,51   | 40   | PHG 855-L-...  |               |
|         | 230             | 86.25        | 2 190.75 | 3,60           | 1,91           | 4,65 | 0,51 | 9,525  | 0,51   | 40   | PHG 863-L-...  |               |
|         | 232             | 87.00        | 2 209.80 | 3,60           | 1,91           | 4,65 | 0,51 | 9,525  | 0,51   | 40   | PHG 870-L-...  |               |
|         | 235             | 88.13        | 2 238.38 | 3,60           | 1,91           | 4,65 | 0,51 | 9,525  | 0,51   | 40   | PHG 881-L-...  |               |
|         | 240             | 90.00        | 2 286.00 | 3,60           | 1,91           | 4,65 | 0,51 | 9,525  | 0,51   | 40   | PHG 900-L-...  |               |
|         | 244             | 91.50        | 2 324.10 | 3,60           | 1,91           | 4,65 | 0,51 | 9,525  | 0,51   | 40   | PHG 915-L-...  |               |
|         | 249             | 93.38        | 2 371.73 | 3,60           | 1,91           | 4,65 | 0,51 | 9,525  | 0,51   | 40   | PHG 934-L-...  |               |
|         | 261             | 98.00        | 2 489.20 | 3,60           | 1,91           | 4,65 | 0,51 | 9,525  | 0,51   | 40   | PHG 980-L-...  |               |
|         | 274             | 102.75       | 2 609.85 | 3,60           | 1,91           | 4,65 | 0,51 | 9,525  | 0,51   | 40   | PHG 1028-L-... |               |
|         | 306             | 114.75       | 2 914.65 | 3,60           | 1,91           | 4,65 | 0,51 | 9,525  | 0,51   | 40   | PHG 1148-L-... |               |
|         | 318             | 119.25       | 3 028.95 | 3,60           | 1,91           | 4,65 | 0,51 | 9,525  | 0,51   | 40   | PHG 1192-L-... |               |
|         | 375             | 140.63       | 3 571.88 | 3,60           | 1,91           | 4,65 | 0,51 | 9,525  | 0,51   | 40   | PHG 1406-L-... |               |
|         | 378             | 141.75       | 3 600.45 | 3,60           | 1,91           | 4,65 | 0,51 | 9,525  | 0,51   | 40   | PHG 1418-L-... |               |
|         | 447             | 167.63       | 4 257.68 | 3,60           | 1,91           | 4,65 | 0,51 | 9,525  | 0,51   | 40   | PHG 1675-L-... |               |
|         | 530             | 198.75       | 5 048.25 | 3,60           | 1,91           | 4,65 | 0,51 | 9,525  | 0,51   | 40   | PHG 1998-L-... |               |
|         | H               | 29           | 14.50    | 368.30         | 4,30           | 2,29 | 6,12 | 1,02   | 12,700 | 1,02 | 40             | PHG 145-H-... |
|         |                 | 37           | 18.50    | 469.90         | 4,30           | 2,29 | 6,12 | 1,02   | 12,700 | 1,02 | 40             | PHG 185-H-... |
| 40      |                 | 20.00        | 508.00   | 4,30           | 2,29           | 6,12 | 1,02 | 12,700 | 1,02   | 40   | PHG 200-H-...  |               |
| 41      |                 | 20.50        | 520.70   | 4,30           | 2,29           | 6,12 | 1,02 | 12,700 | 1,02   | 40   | PHG 205-H-...  |               |
| 42      |                 | 21.00        | 533.40   | 4,30           | 2,29           | 6,12 | 1,02 | 12,700 | 1,02   | 40   | PHG 210-H-...  |               |
| 44      |                 | 22.00        | 558.80   | 4,30           | 2,29           | 6,12 | 1,02 | 12,700 | 1,02   | 40   | PHG 220-H-...  |               |
| 45      |                 | 22.50        | 571.50   | 4,30           | 2,29           | 6,12 | 1,02 | 12,700 | 1,02   | 40   | PHG 225-H-...  |               |
| 46      |                 | 23.00        | 584.20   | 4,30           | 2,29           | 6,12 | 1,02 | 12,700 | 1,02   | 40   | PHG 230-H-...  |               |
| 48      |                 | 24.00        | 609.60   | 4,30           | 2,29           | 6,12 | 1,02 | 12,700 | 1,02   | 40   | PHG 240-H-...  |               |
| 49      |                 | 24.50        | 622.30   | 4,30           | 2,29           | 6,12 | 1,02 | 12,700 | 1,02   | 40   | PHG 245-H-...  |               |
| 50      |                 | 25.00        | 635.00   | 4,30           | 2,29           | 6,12 | 1,02 | 12,700 | 1,02   | 40   | PHG 250-H-...  |               |
| 51      |                 | 25.50        | 647.70   | 4,30           | 2,29           | 6,12 | 1,02 | 12,700 | 1,02   | 40   | PHG 255-H-...  |               |
| 52      |                 | 26.00        | 660.40   | 4,30           | 2,29           | 6,12 | 1,02 | 12,700 | 1,02   | 40   | PHG 260-H-...  |               |
| 54      |                 | 27.00        | 685.80   | 4,30           | 2,29           | 6,12 | 1,02 | 12,700 | 1,02   | 40   | PHG 270-H-...  |               |
| 56      |                 | 28.00        | 711.20   | 4,30           | 2,29           | 6,12 | 1,02 | 12,700 | 1,02   | 40   | PHG 280-H-...  |               |
| 57      |                 | 28.50        | 723.90   | 4,30           | 2,29           | 6,12 | 1,02 | 12,700 | 1,02   | 40   | PHG 285-H-...  |               |
| 58      |                 | 29.00        | 736.60   | 4,30           | 2,29           | 6,12 | 1,02 | 12,700 | 1,02   | 40   | PHG 290-H-...  |               |
| 60      |                 | 30.00        | 762.00   | 4,30           | 2,29           | 6,12 | 1,02 | 12,700 | 1,02   | 40   | PHG 300-H-...  |               |
| 62      |                 | 31.00        | 787.40   | 4,30           | 2,29           | 6,12 | 1,02 | 12,700 | 1,02   | 40   | PHG 310-H-...  |               |
| 63      |                 | 31.50        | 800.10   | 4,30           | 2,29           | 6,12 | 1,02 | 12,700 | 1,02   | 40   | PHG 315-H-...  |               |
| 64      |                 | 32.00        | 812.80   | 4,30           | 2,29           | 6,12 | 1,02 | 12,700 | 1,02   | 40   | PHG 320-H-...  |               |
| 65      |                 | 32.50        | 825.50   | 4,30           | 2,29           | 6,12 | 1,02 | 12,700 | 1,02   | 40   | PHG 325-H-...  |               |
| 66      |                 | 33.00        | 838.20   | 4,30           | 2,29           | 6,12 | 1,02 | 12,700 | 1,02   | 40   | PHG 330-H-...  |               |
| 67      |                 | 33.50        | 850.90   | 4,30           | 2,29           | 6,12 | 1,02 | 12,700 | 1,02   | 40   | PHG 335-H-...  |               |
| 68      |                 | 34.00        | 863.60   | 4,30           | 2,29           | 6,12 | 1,02 | 12,700 | 1,02   | 40   | PHG 340-H-...  |               |
| 69      |                 | 34.50        | 876.30   | 4,30           | 2,29           | 6,12 | 1,02 | 12,700 | 1,02   | 40   | PHG 345-H-...  |               |

Non-standard lengths may also be available.  
 To complete designation, add three digits for belt width in 1/100ths of an inch; e.g. for a 1/4" width add 025 or for a 3/8" width add 037.  
 Full sleeves are available in various widths. Please contact your SKF Authorized Distributor.

# SKF Classical Timing Belts

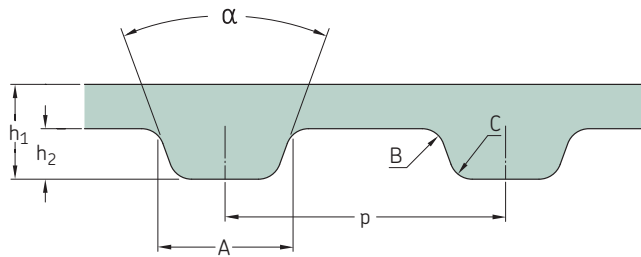
H

| Section | Number of teeth | Dimensions   |          | h <sub>1</sub> | h <sub>2</sub> | A    | B      | p      | C    | α             | Designation   |
|---------|-----------------|--------------|----------|----------------|----------------|------|--------|--------|------|---------------|---------------|
|         |                 | Pitch length |          |                |                |      |        |        |      |               |               |
| -       | -               | in.          | mm       |                |                |      |        |        |      | °             | -             |
| H       | 70              | 35.00        | 889,00   | 4,30           | 2,29           | 6,12 | 1,02   | 12,700 | 1,02 | 40            | PHG 350-H-... |
|         | 71              | 35.50        | 901,70   | 4,30           | 2,29           | 6,12 | 1,02   | 12,700 | 1,02 | 40            | PHG 355-H-... |
|         | 72              | 36.00        | 914,40   | 4,30           | 2,29           | 6,12 | 1,02   | 12,700 | 1,02 | 40            | PHG 360-H-... |
|         | 73              | 36.50        | 927,10   | 4,30           | 2,29           | 6,12 | 1,02   | 12,700 | 1,02 | 40            | PHG 365-H-... |
|         | 74              | 37.00        | 939,80   | 4,30           | 2,29           | 6,12 | 1,02   | 12,700 | 1,02 | 40            | PHG 370-H-... |
|         | 75              | 37.50        | 952,50   | 4,30           | 2,29           | 6,12 | 1,02   | 12,700 | 1,02 | 40            | PHG 375-H-... |
|         | 76              | 38.00        | 965,20   | 4,30           | 2,29           | 6,12 | 1,02   | 12,700 | 1,02 | 40            | PHG 380-H-... |
|         | 78              | 39.00        | 990,60   | 4,30           | 2,29           | 6,12 | 1,02   | 12,700 | 1,02 | 40            | PHG 390-H-... |
|         | 79              | 39.50        | 1 003,30 | 4,30           | 2,29           | 6,12 | 1,02   | 12,700 | 1,02 | 40            | PHG 395-H-... |
|         | 80              | 40.00        | 1 016,00 | 4,30           | 2,29           | 6,12 | 1,02   | 12,700 | 1,02 | 40            | PHG 400-H-... |
|         | 81              | 40.50        | 1 028,70 | 4,30           | 2,29           | 6,12 | 1,02   | 12,700 | 1,02 | 40            | PHG 405-H-... |
|         | 82              | 41.00        | 1 041,40 | 4,30           | 2,29           | 6,12 | 1,02   | 12,700 | 1,02 | 40            | PHG 410-H-... |
|         | 84              | 42.00        | 1 066,80 | 4,30           | 2,29           | 6,12 | 1,02   | 12,700 | 1,02 | 40            | PHG 420-H-... |
|         | 85              | 42.50        | 1 079,50 | 4,30           | 2,29           | 6,12 | 1,02   | 12,700 | 1,02 | 40            | PHG 425-H-... |
|         | 86              | 43.00        | 1 092,20 | 4,30           | 2,29           | 6,12 | 1,02   | 12,700 | 1,02 | 40            | PHG 430-H-... |
|         | 89              | 44.50        | 1 130,30 | 4,30           | 2,29           | 6,12 | 1,02   | 12,700 | 1,02 | 40            | PHG 445-H-... |
|         | 90              | 45.00        | 1 143,00 | 4,30           | 2,29           | 6,12 | 1,02   | 12,700 | 1,02 | 40            | PHG 450-H-... |
|         | 91              | 45.50        | 1 155,70 | 4,30           | 2,29           | 6,12 | 1,02   | 12,700 | 1,02 | 40            | PHG 455-H-... |
|         | 92              | 46.00        | 1 168,40 | 4,30           | 2,29           | 6,12 | 1,02   | 12,700 | 1,02 | 40            | PHG 460-H-... |
| 93      | 46.50           | 1 181,10     | 4,30     | 2,29           | 6,12           | 1,02 | 12,700 | 1,02   | 40   | PHG 465-H-... |               |
| 96      | 48.00           | 1 219,20     | 4,30     | 2,29           | 6,12           | 1,02 | 12,700 | 1,02   | 40   | PHG 480-H-... |               |
| 97      | 48.50           | 1 231,90     | 4,30     | 2,29           | 6,12           | 1,02 | 12,700 | 1,02   | 40   | PHG 485-H-... |               |
| 98      | 49.00           | 1 244,60     | 4,30     | 2,29           | 6,12           | 1,02 | 12,700 | 1,02   | 40   | PHG 490-H-... |               |
| 100     | 50.00           | 1 270,00     | 4,30     | 2,29           | 6,12           | 1,02 | 12,700 | 1,02   | 40   | PHG 500-H-... |               |
| 102     | 51.00           | 1 295,40     | 4,30     | 2,29           | 6,12           | 1,02 | 12,700 | 1,02   | 40   | PHG 510-H-... |               |
| 103     | 51.50           | 1 308,10     | 4,30     | 2,29           | 6,12           | 1,02 | 12,700 | 1,02   | 40   | PHG 515-H-... |               |
| 104     | 52.00           | 1 320,80     | 4,30     | 2,29           | 6,12           | 1,02 | 12,700 | 1,02   | 40   | PHG 520-H-... |               |
| 105     | 52.50           | 1 333,50     | 4,30     | 2,29           | 6,12           | 1,02 | 12,700 | 1,02   | 40   | PHG 525-H-... |               |
| 106     | 53.00           | 1 346,20     | 4,30     | 2,29           | 6,12           | 1,02 | 12,700 | 1,02   | 40   | PHG 530-H-... |               |
| 107     | 53.50           | 1 358,90     | 4,30     | 2,29           | 6,12           | 1,02 | 12,700 | 1,02   | 40   | PHG 535-H-... |               |
| 108     | 54.00           | 1 371,60     | 4,30     | 2,29           | 6,12           | 1,02 | 12,700 | 1,02   | 40   | PHG 540-H-... |               |
| 110     | 55.00           | 1 397,00     | 4,30     | 2,29           | 6,12           | 1,02 | 12,700 | 1,02   | 40   | PHG 550-H-... |               |
| 111     | 55.50           | 1 409,70     | 4,30     | 2,29           | 6,12           | 1,02 | 12,700 | 1,02   | 40   | PHG 555-H-... |               |
| 112     | 56.00           | 1 422,40     | 4,30     | 2,29           | 6,12           | 1,02 | 12,700 | 1,02   | 40   | PHG 560-H-... |               |
| 113     | 56.50           | 1 435,10     | 4,30     | 2,29           | 6,12           | 1,02 | 12,700 | 1,02   | 40   | PHG 565-H-... |               |
| 114     | 57.00           | 1 447,80     | 4,30     | 2,29           | 6,12           | 1,02 | 12,700 | 1,02   | 40   | PHG 570-H-... |               |
| 116     | 58.00           | 1 473,20     | 4,30     | 2,29           | 6,12           | 1,02 | 12,700 | 1,02   | 40   | PHG 580-H-... |               |
| 117     | 58.50           | 1 485,90     | 4,30     | 2,29           | 6,12           | 1,02 | 12,700 | 1,02   | 40   | PHG 585-H-... |               |
| 118     | 59.00           | 1 498,60     | 4,30     | 2,29           | 6,12           | 1,02 | 12,700 | 1,02   | 40   | PHG 590-H-... |               |
| 120     | 60.00           | 1 524,00     | 4,30     | 2,29           | 6,12           | 1,02 | 12,700 | 1,02   | 40   | PHG 600-H-... |               |
| 121     | 60.50           | 1 536,70     | 4,30     | 2,29           | 6,12           | 1,02 | 12,700 | 1,02   | 40   | PHG 605-H-... |               |
| 122     | 61.00           | 1 549,40     | 4,30     | 2,29           | 6,12           | 1,02 | 12,700 | 1,02   | 40   | PHG 610-H-... |               |
| 125     | 62.50           | 1 587,50     | 4,30     | 2,29           | 6,12           | 1,02 | 12,700 | 1,02   | 40   | PHG 625-H-... |               |
| 126     | 63.00           | 1 600,20     | 4,30     | 2,29           | 6,12           | 1,02 | 12,700 | 1,02   | 40   | PHG 630-H-... |               |
| 128     | 64.00           | 1 625,60     | 4,30     | 2,29           | 6,12           | 1,02 | 12,700 | 1,02   | 40   | PHG 640-H-... |               |
| 130     | 65.00           | 1 651,00     | 4,30     | 2,29           | 6,12           | 1,02 | 12,700 | 1,02   | 40   | PHG 650-H-... |               |
| 132     | 66.00           | 1 676,40     | 4,30     | 2,29           | 6,12           | 1,02 | 12,700 | 1,02   | 40   | PHG 660-H-... |               |
| 134     | 67.00           | 1 701,80     | 4,30     | 2,29           | 6,12           | 1,02 | 12,700 | 1,02   | 40   | PHG 670-H-... |               |
| 136     | 68.00           | 1 727,20     | 4,30     | 2,29           | 6,12           | 1,02 | 12,700 | 1,02   | 40   | PHG 680-H-... |               |
| 138     | 69.00           | 1 752,60     | 4,30     | 2,29           | 6,12           | 1,02 | 12,700 | 1,02   | 40   | PHG 690-H-... |               |
| 139     | 69.50           | 1 765,30     | 4,30     | 2,29           | 6,12           | 1,02 | 12,700 | 1,02   | 40   | PHG 695-H-... |               |
| 140     | 70.00           | 1 778,00     | 4,30     | 2,29           | 6,12           | 1,02 | 12,700 | 1,02   | 40   | PHG 700-H-... |               |
| 142     | 71.00           | 1 803,40     | 4,30     | 2,29           | 6,12           | 1,02 | 12,700 | 1,02   | 40   | PHG 710-H-... |               |
| 144     | 72.00           | 1 828,80     | 4,30     | 2,29           | 6,12           | 1,02 | 12,700 | 1,02   | 40   | PHG 720-H-... |               |
| 145     | 72.50           | 1 841,50     | 4,30     | 2,29           | 6,12           | 1,02 | 12,700 | 1,02   | 40   | PHG 725-H-... |               |
| 146     | 73.00           | 1 854,20     | 4,30     | 2,29           | 6,12           | 1,02 | 12,700 | 1,02   | 40   | PHG 730-H-... |               |
| 148     | 74.00           | 1 879,60     | 4,30     | 2,29           | 6,12           | 1,02 | 12,700 | 1,02   | 40   | PHG 740-H-... |               |
| 150     | 75.00           | 1 905,00     | 4,30     | 2,29           | 6,12           | 1,02 | 12,700 | 1,02   | 40   | PHG 750-H-... |               |
| 154     | 77.00           | 1 955,80     | 4,30     | 2,29           | 6,12           | 1,02 | 12,700 | 1,02   | 40   | PHG 770-H-... |               |
| 155     | 77.50           | 1 968,50     | 4,30     | 2,29           | 6,12           | 1,02 | 12,700 | 1,02   | 40   | PHG 775-H-... |               |
| 157     | 78.50           | 1 993,90     | 4,30     | 2,29           | 6,12           | 1,02 | 12,700 | 1,02   | 40   | PHG 785-H-... |               |
| 160     | 80.00           | 2 032,00     | 4,30     | 2,29           | 6,12           | 1,02 | 12,700 | 1,02   | 40   | PHG 800-H-... |               |
| 162     | 81.00           | 2 057,40     | 4,30     | 2,29           | 6,12           | 1,02 | 12,700 | 1,02   | 40   | PHG 810-H-... |               |
| 164     | 82.00           | 2 082,80     | 4,30     | 2,29           | 6,12           | 1,02 | 12,700 | 1,02   | 40   | PHG 820-H-... |               |
| 166     | 83.00           | 2 108,20     | 4,30     | 2,29           | 6,12           | 1,02 | 12,700 | 1,02   | 40   | PHG 830-H-... |               |
| 168     | 84.00           | 2 133,60     | 4,30     | 2,29           | 6,12           | 1,02 | 12,700 | 1,02   | 40   | PHG 840-H-... |               |
| 170     | 85.00           | 2 159,00     | 4,30     | 2,29           | 6,12           | 1,02 | 12,700 | 1,02   | 40   | PHG 850-H-... |               |
| 172     | 86.00           | 2 184,40     | 4,30     | 2,29           | 6,12           | 1,02 | 12,700 | 1,02   | 40   | PHG 860-H-... |               |
| 176     | 88.00           | 2 235,20     | 4,30     | 2,29           | 6,12           | 1,02 | 12,700 | 1,02   | 40   | PHG 880-H-... |               |
| 179     | 89.50           | 2 273,30     | 4,30     | 2,29           | 6,12           | 1,02 | 12,700 | 1,02   | 40   | PHG 895-H-... |               |
| 180     | 90.00           | 2 286,00     | 4,30     | 2,29           | 6,12           | 1,02 | 12,700 | 1,02   | 40   | PHG 900-H-... |               |
| 184     | 92.00           | 2 336,80     | 4,30     | 2,29           | 6,12           | 1,02 | 12,700 | 1,02   | 40   | PHG 920-H-... |               |
| 186     | 93.00           | 2 362,20     | 4,30     | 2,29           | 6,12           | 1,02 | 12,700 | 1,02   | 40   | PHG 930-H-... |               |
| 190     | 95.00           | 2 413,00     | 4,30     | 2,29           | 6,12           | 1,02 | 12,700 | 1,02   | 40   | PHG 950-H-... |               |
| 192     | 96.00           | 2 438,40     | 4,30     | 2,29           | 6,12           | 1,02 | 12,700 | 1,02   | 40   | PHG 960-H-... |               |
| 196     | 98.00           | 2 489,20     | 4,30     | 2,29           | 6,12           | 1,02 | 12,700 | 1,02   | 40   | PHG 980-H-... |               |

Non-standard lengths may also be available.

To complete designation, add three digits for belt width in 1/100ths of an inch; e.g. for a 1/4" width add 025 or for a 3/8" width add 037.

Full sleeves are available in various widths. Please contact your SKF Authorized Distributor.



| Section | Number of teeth | Dimensions   |          | h <sub>1</sub> | h <sub>2</sub> | A     | B      | p      | C    | α              | Designation    |
|---------|-----------------|--------------|----------|----------------|----------------|-------|--------|--------|------|----------------|----------------|
|         |                 | Pitch length |          |                |                |       |        |        |      |                |                |
|         |                 | in.          | mm       |                |                |       |        |        |      | °              |                |
| H       | 197             | 98.50        | 2 501,90 | 4,30           | 2,29           | 6,12  | 1,02   | 12,700 | 1,02 | 40             | PHG 985-H-...  |
|         | 200             | 100.00       | 2 540,00 | 4,30           | 2,29           | 6,12  | 1,02   | 12,700 | 1,02 | 40             | PHG 1000-H-... |
|         | 204             | 102.00       | 2 590,80 | 4,30           | 2,29           | 6,12  | 1,02   | 12,700 | 1,02 | 40             | PHG 1020-H-... |
|         | 206             | 103.00       | 2 616,20 | 4,30           | 2,29           | 6,12  | 1,02   | 12,700 | 1,02 | 40             | PHG 1030-H-... |
|         | 210             | 105.00       | 2 667,00 | 4,30           | 2,29           | 6,12  | 1,02   | 12,700 | 1,02 | 40             | PHG 1050-H-... |
|         | 217             | 108.50       | 2 755,90 | 4,30           | 2,29           | 6,12  | 1,02   | 12,700 | 1,02 | 40             | PHG 1085-H-... |
|         | 220             | 110.00       | 2 794,00 | 4,30           | 2,29           | 6,12  | 1,02   | 12,700 | 1,02 | 40             | PHG 1100-H-... |
|         | 224             | 112.00       | 2 844,80 | 4,30           | 2,29           | 6,12  | 1,02   | 12,700 | 1,02 | 40             | PHG 1120-H-... |
|         | 228             | 114.00       | 2 895,60 | 4,30           | 2,29           | 6,12  | 1,02   | 12,700 | 1,02 | 40             | PHG 1140-H-... |
|         | 230             | 115.00       | 2 921,00 | 4,30           | 2,29           | 6,12  | 1,02   | 12,700 | 1,02 | 40             | PHG 1150-H-... |
|         | 234             | 117.00       | 2 971,80 | 4,30           | 2,29           | 6,12  | 1,02   | 12,700 | 1,02 | 40             | PHG 1170-H-... |
|         | 235             | 117.50       | 2 984,50 | 4,30           | 2,29           | 6,12  | 1,02   | 12,700 | 1,02 | 40             | PHG 1175-H-... |
|         | 240             | 120.00       | 3 048,00 | 4,30           | 2,29           | 6,12  | 1,02   | 12,700 | 1,02 | 40             | PHG 1200-H-... |
|         | 250             | 125.00       | 3 175,00 | 4,30           | 2,29           | 6,12  | 1,02   | 12,700 | 1,02 | 40             | PHG 1250-H-... |
|         | 252             | 126.00       | 3 200,40 | 4,30           | 2,29           | 6,12  | 1,02   | 12,700 | 1,02 | 40             | PHG 1260-H-... |
|         | 254             | 127.00       | 3 225,80 | 4,30           | 2,29           | 6,12  | 1,02   | 12,700 | 1,02 | 40             | PHG 1270-H-... |
|         | 265             | 132.50       | 3 365,50 | 4,30           | 2,29           | 6,12  | 1,02   | 12,700 | 1,02 | 40             | PHG 1325-H-... |
|         | 270             | 135.00       | 3 429,00 | 4,30           | 2,29           | 6,12  | 1,02   | 12,700 | 1,02 | 40             | PHG 1350-H-... |
|         | 272             | 136.00       | 3 454,40 | 4,30           | 2,29           | 6,12  | 1,02   | 12,700 | 1,02 | 40             | PHG 1360-H-... |
|         | 276             | 138.00       | 3 505,20 | 4,30           | 2,29           | 6,12  | 1,02   | 12,700 | 1,02 | 40             | PHG 1380-H-... |
|         | 280             | 140.00       | 3 556,00 | 4,30           | 2,29           | 6,12  | 1,02   | 12,700 | 1,02 | 40             | PHG 1400-H-... |
|         | 288             | 144.00       | 3 657,60 | 4,30           | 2,29           | 6,12  | 1,02   | 12,700 | 1,02 | 40             | PHG 1440-H-... |
|         | 290             | 145.00       | 3 683,00 | 4,30           | 2,29           | 6,12  | 1,02   | 12,700 | 1,02 | 40             | PHG 1450-H-... |
|         | 292             | 146.00       | 3 708,40 | 4,30           | 2,29           | 6,12  | 1,02   | 12,700 | 1,02 | 40             | PHG 1460-H-... |
|         | 302             | 151.00       | 3 835,40 | 4,30           | 2,29           | 6,12  | 1,02   | 12,700 | 1,02 | 40             | PHG 1510-H-... |
|         | 307             | 153.50       | 3 898,90 | 4,30           | 2,29           | 6,12  | 1,02   | 12,700 | 1,02 | 40             | PHG 1535-H-... |
|         | 310             | 155.00       | 3 937,00 | 4,30           | 2,29           | 6,12  | 1,02   | 12,700 | 1,02 | 40             | PHG 1550-H-... |
|         | 312             | 156.00       | 3 962,40 | 4,30           | 2,29           | 6,12  | 1,02   | 12,700 | 1,02 | 40             | PHG 1560-H-... |
|         | 320             | 160.00       | 4 064,00 | 4,30           | 2,29           | 6,12  | 1,02   | 12,700 | 1,02 | 40             | PHG 1600-H-... |
|         | 326             | 163.00       | 4 140,20 | 4,30           | 2,29           | 6,12  | 1,02   | 12,700 | 1,02 | 40             | PHG 1630-H-... |
|         | 332             | 166.00       | 4 216,40 | 4,30           | 2,29           | 6,12  | 1,02   | 12,700 | 1,02 | 40             | PHG 1660-H-... |
|         | 336             | 168.00       | 4 267,20 | 4,30           | 2,29           | 6,12  | 1,02   | 12,700 | 1,02 | 40             | PHG 1680-H-... |
|         | 340             | 170.00       | 4 318,00 | 4,30           | 2,29           | 6,12  | 1,02   | 12,700 | 1,02 | 40             | PHG 1700-H-... |
|         | 350             | 175.00       | 4 445,00 | 4,30           | 2,29           | 6,12  | 1,02   | 12,700 | 1,02 | 40             | PHG 1750-H-... |
|         | 353             | 176.50       | 4 483,10 | 4,30           | 2,29           | 6,12  | 1,02   | 12,700 | 1,02 | 40             | PHG 1765-H-... |
|         | 371             | 185.50       | 4 711,70 | 4,30           | 2,29           | 6,12  | 1,02   | 12,700 | 1,02 | 40             | PHG 1855-H-... |
|         | 402             | 201.00       | 5 105,40 | 4,30           | 2,29           | 6,12  | 1,02   | 12,700 | 1,02 | 40             | PHG 2010-H-... |
|         | 410             | 205.00       | 5 207,00 | 4,30           | 2,29           | 6,12  | 1,02   | 12,700 | 1,02 | 40             | PHG 2050-H-... |
|         | 440             | 220.00       | 5 588,00 | 4,30           | 2,29           | 6,12  | 1,02   | 12,700 | 1,02 | 40             | PHG 2200-H-... |
|         | 442             | 221.00       | 5 613,40 | 4,30           | 2,29           | 6,12  | 1,02   | 12,700 | 1,02 | 40             | PHG 2210-H-... |
|         | 472             | 236.00       | 5 994,40 | 4,30           | 2,29           | 6,12  | 1,02   | 12,700 | 1,02 | 40             | PHG 2360-H-... |
|         | 500             | 250.00       | 6 350,00 | 4,30           | 2,29           | 6,12  | 1,02   | 12,700 | 1,02 | 40             | PHG 2500-H-... |
|         | 520             | 260.00       | 6 604,00 | 4,30           | 2,29           | 6,12  | 1,02   | 12,700 | 1,02 | 40             | PHG 2600-H-... |
|         | 536             | 268.00       | 6 807,20 | 4,30           | 2,29           | 6,12  | 1,02   | 12,700 | 1,02 | 40             | PHG 2680-H-... |
|         | 540             | 270.00       | 6 858,00 | 4,30           | 2,29           | 6,12  | 1,02   | 12,700 | 1,02 | 40             | PHG 2700-H-... |
| 544     | 272.00          | 6 908,80     | 4,30     | 2,29           | 6,12           | 1,02  | 12,700 | 1,02   | 40   | PHG 2720-H-... |                |
| XH      | 53              | 46.38        | 1 117,93 | 11,20          | 6,35           | 12,57 | 1,57   | 22,225 | 1,19 | 40             | PHG 463-XH-... |
|         | 58              | 50.75        | 1 289,05 | 11,20          | 6,35           | 12,57 | 1,57   | 22,225 | 1,19 | 40             | PHG 507-XH-... |
|         | 58              | 50.80        | 1 290,32 | 11,20          | 6,35           | 12,57 | 1,57   | 22,225 | 1,19 | 40             | PHG 508-XH-... |
|         | 64              | 56.00        | 1 422,40 | 11,20          | 6,35           | 12,57 | 1,57   | 22,225 | 1,19 | 40             | PHG 560-XH-... |
|         | 65              | 56.88        | 1 444,63 | 11,20          | 6,35           | 12,57 | 1,57   | 22,225 | 1,19 | 40             | PHG 570-XH-... |
|         | 66              | 57.55        | 1 466,85 | 11,20          | 6,35           | 12,57 | 1,57   | 22,225 | 1,19 | 40             | PHG 580-XH-... |
|         | 69              | 60.38        | 1 533,53 | 11,20          | 6,35           | 12,57 | 1,57   | 22,225 | 1,19 | 40             | PHG 604-XH-... |
|         | 72              | 63.00        | 1 600,20 | 11,20          | 6,35           | 12,57 | 1,57   | 22,225 | 1,19 | 40             | PHG 630-XH-... |

Non-standard lengths may also be available.  
 To complete designation, add three digits for belt width in 1/100ths of an inch; e.g. for a 1/4" width add 025 or for a 3/8" width add 037.  
 Full sleeves are available in various widths. Please contact your SKF Authorized Distributor.

# SKF Classical Timing Belts

XH | XXH

| Section | Number of teeth | Dimensions   |          | h <sub>1</sub> | h <sub>2</sub> | A     | B      | p      | C    | α               | Designation      |
|---------|-----------------|--------------|----------|----------------|----------------|-------|--------|--------|------|-----------------|------------------|
|         |                 | Pitch length |          |                |                |       |        |        |      |                 |                  |
|         |                 | in.          | mm       |                |                |       |        |        |      | °               |                  |
| XH      | 80              | 70.00        | 1 778,00 | 11,20          | 6,35           | 12,57 | 1,57   | 22,225 | 1,19 | 40              | PHG 700-XH-...   |
|         | 81              | 71.00        | 1 803,40 | 11,20          | 6,35           | 12,57 | 1,57   | 22,225 | 1,19 | 40              | PHG 710-XH-...   |
|         | 84              | 73.50        | 1 866,90 | 11,20          | 6,35           | 12,57 | 1,57   | 22,225 | 1,19 | 40              | PHG 735-XH-...   |
|         | 86              | 75.25        | 1 911,35 | 11,20          | 6,35           | 12,57 | 1,57   | 22,225 | 1,19 | 40              | PHG 752-XH-...   |
|         | 88              | 77.00        | 1 955,80 | 11,20          | 6,35           | 12,57 | 1,57   | 22,225 | 1,19 | 40              | PHG 770-XH-...   |
|         | 91              | 79.63        | 2 022,48 | 11,20          | 6,35           | 12,57 | 1,57   | 22,225 | 1,19 | 40              | PHG 800-XH-...   |
|         | 92              | 80.50        | 2 044,70 | 11,20          | 6,35           | 12,57 | 1,57   | 22,225 | 1,19 | 40              | PHG 805-XH-...   |
|         | 96              | 84.00        | 2 133,60 | 11,20          | 6,35           | 12,57 | 1,57   | 22,225 | 1,19 | 40              | PHG 840-XH-...   |
|         | 103             | 90.13        | 2 289,18 | 11,20          | 6,35           | 12,57 | 1,57   | 22,225 | 1,19 | 40              | PHG 901-XH-...   |
|         | 105             | 91.88        | 2 333,63 | 11,20          | 6,35           | 12,57 | 1,57   | 22,225 | 1,19 | 40              | PHG 919-XH-...   |
|         | 106             | 92.75        | 2 355,85 | 11,20          | 6,35           | 12,57 | 1,57   | 22,225 | 1,19 | 40              | PHG 927-XH-...   |
|         | 112             | 98.00        | 2 489,20 | 11,20          | 6,35           | 12,57 | 1,57   | 22,225 | 1,19 | 40              | PHG 980-XH-...   |
|         | 114             | 99.75        | 2 533,65 | 11,20          | 6,35           | 12,57 | 1,57   | 22,225 | 1,19 | 40              | PHG 1000-XH-...  |
|         | 128             | 112.00       | 2 844,80 | 11,20          | 6,35           | 12,57 | 1,57   | 22,225 | 1,19 | 40              | PHG 1120-XH-...  |
|         | 144             | 126.00       | 3 200,40 | 11,20          | 6,35           | 12,57 | 1,57   | 22,225 | 1,19 | 40              | PHG 1260-XH-...  |
|         | 160             | 140.00       | 3 556,00 | 11,20          | 6,35           | 12,57 | 1,57   | 22,225 | 1,19 | 40              | PHG 1400-XH-...  |
|         | 176             | 154.00       | 3 911,60 | 11,20          | 6,35           | 12,57 | 1,57   | 22,225 | 1,19 | 40              | PHG 1540-XH-...  |
|         | 180             | 157.50       | 4 000,50 | 11,20          | 6,35           | 12,57 | 1,57   | 22,225 | 1,19 | 40              | PHG 1575-XH-...  |
|         | 200             | 175.00       | 4 445,00 | 11,20          | 6,35           | 12,57 | 1,57   | 22,225 | 1,19 | 40              | PHG 1750-XH-...  |
|         | 214             | 187.25       | 4 756,15 | 11,20          | 6,35           | 12,57 | 1,57   | 22,225 | 1,19 | 40              | PHG 1873-XH-...  |
| 260     | 227.50          | 5 778,50     | 11,20    | 6,35           | 12,57          | 1,57  | 22,225 | 1,19   | 40   | PHG 2275-XH-... |                  |
| XXH     | 50              | 62.50        | 1 587,50 | 15,70          | 9,53           | 19,05 | 2,29   | 31,750 | 1,52 | 40              | PHG 625-XXH-...  |
|         | 52              | 65.00        | 1 651,00 | 15,70          | 9,53           | 19,05 | 2,29   | 31,750 | 1,52 | 40              | PHG 650-XXH-...  |
|         | 56              | 70.00        | 1 778,00 | 15,70          | 9,53           | 19,05 | 2,29   | 31,750 | 1,52 | 40              | PHG 700-XXH-...  |
|         | 64              | 80.00        | 2 032,00 | 15,70          | 9,53           | 19,05 | 2,29   | 31,750 | 1,52 | 40              | PHG 800-XXH-...  |
|         | 72              | 90.00        | 2 286,00 | 15,70          | 9,53           | 19,05 | 2,29   | 31,750 | 1,52 | 40              | PHG 900-XXH-...  |
|         | 76              | 95.00        | 2 413,00 | 15,70          | 9,53           | 19,05 | 2,29   | 31,750 | 1,52 | 40              | PHG 950-XXH-...  |
|         | 80              | 100.00       | 2 540,00 | 15,70          | 9,53           | 19,05 | 2,29   | 31,750 | 1,52 | 40              | PHG 1000-XXH-... |
|         | 84              | 105.00       | 2 667,00 | 15,70          | 9,53           | 19,05 | 2,29   | 31,750 | 1,52 | 40              | PHG 1050-XXH-... |
|         | 96              | 120.00       | 3 048,00 | 15,70          | 9,53           | 19,05 | 2,29   | 31,750 | 1,52 | 40              | PHG 1200-XXH-... |
|         | 100             | 125.00       | 3 175,00 | 15,70          | 9,53           | 19,05 | 2,29   | 31,750 | 1,52 | 40              | PHG 1250-XXH-... |
|         | 112             | 140.00       | 3 556,00 | 15,70          | 9,53           | 19,05 | 2,29   | 31,750 | 1,52 | 40              | PHG 1400-XXH-... |
|         | 125             | 156.25       | 3 968,75 | 15,70          | 9,53           | 19,05 | 2,29   | 31,750 | 1,52 | 40              | PHG 1563-XXH-... |
|         | 128             | 160.00       | 4 064,00 | 15,70          | 9,53           | 19,05 | 2,29   | 31,750 | 1,52 | 40              | PHG 1600-XXH-... |
|         | 136             | 170.00       | 4 318,00 | 15,70          | 9,53           | 19,05 | 2,29   | 31,750 | 1,52 | 40              | PHG 1700-XXH-... |
|         | 144             | 180.00       | 4 572,00 | 15,70          | 9,53           | 19,05 | 2,29   | 31,750 | 1,52 | 40              | PHG 1800-XXH-... |
|         | 154             | 192.50       | 4 889,50 | 15,70          | 9,53           | 19,05 | 2,29   | 31,750 | 1,52 | 40              | PHG 1925-XXH-... |
|         | 160             | 200.00       | 5 080,00 | 15,70          | 9,53           | 19,05 | 2,29   | 31,750 | 1,52 | 40              | PHG 2000-XXH-... |

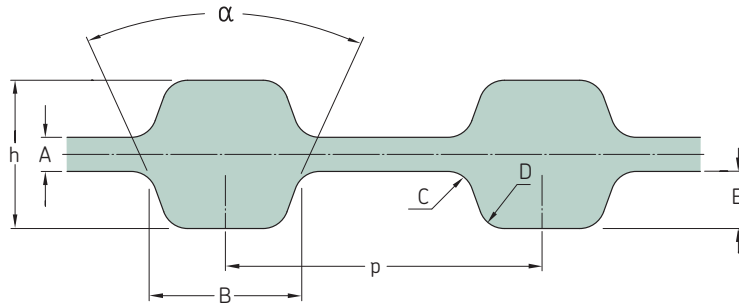
Non-standard lengths may also be available.

To complete designation, add three digits for belt width in 1/100ths of an inch; e.g. for a 1/4" width add 025 or for a 3/8" width add 037.

Full sleeves are available in various widths. Please contact your SKF Authorized Distributor.

# SKF Double-sided Classical Timing Belts

D-XL



| Section | Number of teeth per side | Dimensions   |          | h    | A    | B    | C    | D    | p     | E    | α  | Designation      |
|---------|--------------------------|--------------|----------|------|------|------|------|------|-------|------|----|------------------|
|         |                          | Pitch length |          |      |      |      |      |      |       |      |    |                  |
| -       | -                        | in.          | mm       |      |      |      |      |      |       |      | °  | -                |
| D-XL    | 99                       | 19.80        | 502.92   | 3.05 | 0.51 | 2.57 | 0.38 | 0.38 | 5.080 | 1.27 | 50 | PHG D-198-XL-... |
|         | 100                      | 20.00        | 508.00   | 3.05 | 0.51 | 2.57 | 0.38 | 0.38 | 5.080 | 1.27 | 50 | PHG D-200-XL-... |
|         | 101                      | 20.20        | 513.08   | 3.05 | 0.51 | 2.57 | 0.38 | 0.38 | 5.080 | 1.27 | 50 | PHG D-202-XL-... |
|         | 103                      | 20.60        | 523.24   | 3.05 | 0.51 | 2.57 | 0.38 | 0.38 | 5.080 | 1.27 | 50 | PHG D-206-XL-... |
|         | 104                      | 20.80        | 528.32   | 3.05 | 0.51 | 2.57 | 0.38 | 0.38 | 5.080 | 1.27 | 50 | PHG D-208-XL-... |
|         | 105                      | 21.00        | 533.40   | 3.05 | 0.51 | 2.57 | 0.38 | 0.38 | 5.080 | 1.27 | 50 | PHG D-210-XL-... |
|         | 106                      | 21.20        | 538.48   | 3.05 | 0.51 | 2.57 | 0.38 | 0.38 | 5.080 | 1.27 | 50 | PHG D-212-XL-... |
|         | 107                      | 21.40        | 543.56   | 3.05 | 0.51 | 2.57 | 0.38 | 0.38 | 5.080 | 1.27 | 50 | PHG D-214-XL-... |
|         | 109                      | 21.80        | 553.72   | 3.05 | 0.51 | 2.57 | 0.38 | 0.38 | 5.080 | 1.27 | 50 | PHG D-218-XL-... |
|         | 110                      | 22.00        | 558.80   | 3.05 | 0.51 | 2.57 | 0.38 | 0.38 | 5.080 | 1.27 | 50 | PHG D-220-XL-... |
|         | 113                      | 22.60        | 574.04   | 3.05 | 0.51 | 2.57 | 0.38 | 0.38 | 5.080 | 1.27 | 50 | PHG D-226-XL-... |
|         | 114                      | 22.80        | 579.12   | 3.05 | 0.51 | 2.57 | 0.38 | 0.38 | 5.080 | 1.27 | 50 | PHG D-228-XL-... |
|         | 115                      | 23.00        | 584.20   | 3.05 | 0.51 | 2.57 | 0.38 | 0.38 | 5.080 | 1.27 | 50 | PHG D-230-XL-... |
|         | 117                      | 23.40        | 594.36   | 3.05 | 0.51 | 2.57 | 0.38 | 0.38 | 5.080 | 1.27 | 50 | PHG D-234-XL-... |
|         | 118                      | 23.60        | 599.44   | 3.05 | 0.51 | 2.57 | 0.38 | 0.38 | 5.080 | 1.27 | 50 | PHG D-236-XL-... |
|         | 120                      | 24.00        | 609.60   | 3.05 | 0.51 | 2.57 | 0.38 | 0.38 | 5.080 | 1.27 | 50 | PHG D-240-XL-... |
|         | 124                      | 24.80        | 629.92   | 3.05 | 0.51 | 2.57 | 0.38 | 0.38 | 5.080 | 1.27 | 50 | PHG D-248-XL-... |
|         | 125                      | 25.00        | 635.00   | 3.05 | 0.51 | 2.57 | 0.38 | 0.38 | 5.080 | 1.27 | 50 | PHG D-250-XL-... |
|         | 128                      | 25.60        | 650.24   | 3.05 | 0.51 | 2.57 | 0.38 | 0.38 | 5.080 | 1.27 | 50 | PHG D-256-XL-... |
|         | 130                      | 26.00        | 660.40   | 3.05 | 0.51 | 2.57 | 0.38 | 0.38 | 5.080 | 1.27 | 50 | PHG D-260-XL-... |
|         | 132                      | 26.40        | 670.56   | 3.05 | 0.51 | 2.57 | 0.38 | 0.38 | 5.080 | 1.27 | 50 | PHG D-264-XL-... |
|         | 135                      | 27.00        | 685.80   | 3.05 | 0.51 | 2.57 | 0.38 | 0.38 | 5.080 | 1.27 | 50 | PHG D-270-XL-... |
|         | 137                      | 27.40        | 695.96   | 3.05 | 0.51 | 2.57 | 0.38 | 0.38 | 5.080 | 1.27 | 50 | PHG D-274-XL-... |
|         | 138                      | 27.60        | 701.04   | 3.05 | 0.51 | 2.57 | 0.38 | 0.38 | 5.080 | 1.27 | 50 | PHG D-276-XL-... |
|         | 140                      | 28.00        | 711.20   | 3.05 | 0.51 | 2.57 | 0.38 | 0.38 | 5.080 | 1.27 | 50 | PHG D-280-XL-... |
|         | 141                      | 28.20        | 716.28   | 3.05 | 0.51 | 2.57 | 0.38 | 0.38 | 5.080 | 1.27 | 50 | PHG D-282-XL-... |
|         | 143                      | 28.60        | 726.44   | 3.05 | 0.51 | 2.57 | 0.38 | 0.38 | 5.080 | 1.27 | 50 | PHG D-286-XL-... |
|         | 145                      | 29.00        | 736.60   | 3.05 | 0.51 | 2.57 | 0.38 | 0.38 | 5.080 | 1.27 | 50 | PHG D-290-XL-... |
|         | 150                      | 30.00        | 762.00   | 3.05 | 0.51 | 2.57 | 0.38 | 0.38 | 5.080 | 1.27 | 50 | PHG D-300-XL-... |
|         | 152                      | 30.40        | 772.16   | 3.05 | 0.51 | 2.57 | 0.38 | 0.38 | 5.080 | 1.27 | 50 | PHG D-304-XL-... |
|         | 153                      | 30.60        | 777.24   | 3.05 | 0.51 | 2.57 | 0.38 | 0.38 | 5.080 | 1.27 | 50 | PHG D-306-XL-... |
|         | 155                      | 31.00        | 787.40   | 3.05 | 0.51 | 2.57 | 0.38 | 0.38 | 5.080 | 1.27 | 50 | PHG D-310-XL-... |
|         | 158                      | 31.60        | 802.64   | 3.05 | 0.51 | 2.57 | 0.38 | 0.38 | 5.080 | 1.27 | 50 | PHG D-316-XL-... |
|         | 160                      | 32.00        | 812.80   | 3.05 | 0.51 | 2.57 | 0.38 | 0.38 | 5.080 | 1.27 | 50 | PHG D-320-XL-... |
|         | 161                      | 32.20        | 817.88   | 3.05 | 0.51 | 2.57 | 0.38 | 0.38 | 5.080 | 1.27 | 50 | PHG D-322-XL-... |
|         | 163                      | 32.60        | 828.04   | 3.05 | 0.51 | 2.57 | 0.38 | 0.38 | 5.080 | 1.27 | 50 | PHG D-326-XL-... |
|         | 165                      | 33.00        | 838.20   | 3.05 | 0.51 | 2.57 | 0.38 | 0.38 | 5.080 | 1.27 | 50 | PHG D-330-XL-... |
|         | 170                      | 34.00        | 863.60   | 3.05 | 0.51 | 2.57 | 0.38 | 0.38 | 5.080 | 1.27 | 50 | PHG D-340-XL-... |
|         | 172                      | 34.40        | 873.76   | 3.05 | 0.51 | 2.57 | 0.38 | 0.38 | 5.080 | 1.27 | 50 | PHG D-344-XL-... |
|         | 174                      | 34.80        | 883.92   | 3.05 | 0.51 | 2.57 | 0.38 | 0.38 | 5.080 | 1.27 | 50 | PHG D-348-XL-... |
|         | 176                      | 35.20        | 894.08   | 3.05 | 0.51 | 2.57 | 0.38 | 0.38 | 5.080 | 1.27 | 50 | PHG D-352-XL-... |
|         | 178                      | 35.60        | 904.24   | 3.05 | 0.51 | 2.57 | 0.38 | 0.38 | 5.080 | 1.27 | 50 | PHG D-356-XL-... |
|         | 180                      | 36.00        | 914.40   | 3.05 | 0.51 | 2.57 | 0.38 | 0.38 | 5.080 | 1.27 | 50 | PHG D-360-XL-... |
|         | 181                      | 36.00        | 914.40   | 3.05 | 0.51 | 2.57 | 0.38 | 0.38 | 5.080 | 1.27 | 50 | PHG D-362-XL-... |
|         | 182                      | 36.40        | 924.56   | 3.05 | 0.51 | 2.57 | 0.38 | 0.38 | 5.080 | 1.27 | 50 | PHG D-364-XL-... |
|         | 185                      | 37.00        | 939.80   | 3.05 | 0.51 | 2.57 | 0.38 | 0.38 | 5.080 | 1.27 | 50 | PHG D-370-XL-... |
|         | 186                      | 37.20        | 944.88   | 3.05 | 0.51 | 2.57 | 0.38 | 0.38 | 5.080 | 1.27 | 50 | PHG D-372-XL-... |
|         | 188                      | 37.60        | 955.04   | 3.05 | 0.51 | 2.57 | 0.38 | 0.38 | 5.080 | 1.27 | 50 | PHG D-376-XL-... |
|         | 190                      | 38.00        | 965.20   | 3.05 | 0.51 | 2.57 | 0.38 | 0.38 | 5.080 | 1.27 | 50 | PHG D-380-XL-... |
|         | 192                      | 38.40        | 975.36   | 3.05 | 0.51 | 2.57 | 0.38 | 0.38 | 5.080 | 1.27 | 50 | PHG D-384-XL-... |
|         | 195                      | 39.00        | 990.60   | 3.05 | 0.51 | 2.57 | 0.38 | 0.38 | 5.080 | 1.27 | 50 | PHG D-390-XL-... |
|         | 196                      | 39.20        | 995.68   | 3.05 | 0.51 | 2.57 | 0.38 | 0.38 | 5.080 | 1.27 | 50 | PHG D-392-XL-... |
|         | 200                      | 40.00        | 1 016.00 | 3.05 | 0.51 | 2.57 | 0.38 | 0.38 | 5.080 | 1.27 | 50 | PHG D-400-XL-... |
|         | 206                      | 41.20        | 1 046.48 | 3.05 | 0.51 | 2.57 | 0.38 | 0.38 | 5.080 | 1.27 | 50 | PHG D-412-XL-... |
|         | 207                      | 41.40        | 1 051.56 | 3.05 | 0.51 | 2.57 | 0.38 | 0.38 | 5.080 | 1.27 | 50 | PHG D-414-XL-... |

Non-standard lengths may also be available.  
 To complete designation add three digits for belt width in 1/100ths of an inch; e.g. for a 1/4" width add 025 or for a 3/8" width add 037.  
 Full sleeves are available in various widths. Please contact your SKF Authorized Distributor.



# SKF Double-sided Classical Timing Belts

D-XL | D-L

| Section | Number of teeth per side | Dimensions   |              | h      | A    | B    | C    | D     | p     | E     | α               | Designation      |                 |
|---------|--------------------------|--------------|--------------|--------|------|------|------|-------|-------|-------|-----------------|------------------|-----------------|
|         |                          | Pitch length | Pitch length |        |      |      |      |       |       |       |                 |                  |                 |
|         |                          | in.          | mm           |        |      |      |      |       |       |       | °               |                  |                 |
| D-XL    | 212                      | 42.40        | 1 076,96     | 3,05   | 0,51 | 2,57 | 0,38 | 0,38  | 5,080 | 1,27  | 50              | PHG D-424-XL-... |                 |
|         | 215                      | 43.00        | 1 092,20     | 3,05   | 0,51 | 2,57 | 0,38 | 0,38  | 5,080 | 1,27  | 50              | PHG D-430-XL-... |                 |
|         | 216                      | 43.20        | 1 097,28     | 3,05   | 0,51 | 2,57 | 0,38 | 0,38  | 5,080 | 1,27  | 50              | PHG D-432-XL-... |                 |
|         | 217                      | 43.40        | 1 102,36     | 3,05   | 0,51 | 2,57 | 0,38 | 0,38  | 5,080 | 1,27  | 50              | PHG D-434-XL-... |                 |
|         | 225                      | 45.00        | 1 143,00     | 3,05   | 0,51 | 2,57 | 0,38 | 0,38  | 5,080 | 1,27  | 50              | PHG D-450-XL-... |                 |
|         | 230                      | 46.00        | 1 168,40     | 3,05   | 0,51 | 2,57 | 0,38 | 0,38  | 5,080 | 1,27  | 50              | PHG D-460-XL-... |                 |
|         | 240                      | 48.00        | 1 219,20     | 3,05   | 0,51 | 2,57 | 0,38 | 0,38  | 5,080 | 1,27  | 50              | PHG D-480-XL-... |                 |
|         | 245                      | 49.00        | 1 244,60     | 3,05   | 0,51 | 2,57 | 0,38 | 0,38  | 5,080 | 1,27  | 50              | PHG D-490-XL-... |                 |
|         | 246                      | 49.20        | 1 249,68     | 3,05   | 0,51 | 2,57 | 0,38 | 0,38  | 5,080 | 1,27  | 50              | PHG D-492-XL-... |                 |
|         | 257                      | 51.40        | 1 305,56     | 3,05   | 0,51 | 2,57 | 0,38 | 0,38  | 5,080 | 1,27  | 50              | PHG D-514-XL-... |                 |
|         | 280                      | 56.00        | 1 422,40     | 3,05   | 0,51 | 2,57 | 0,38 | 0,38  | 5,080 | 1,27  | 50              | PHG D-560-XL-... |                 |
|         | 282                      | 56.40        | 1 432,56     | 3,05   | 0,51 | 2,57 | 0,38 | 0,38  | 5,080 | 1,27  | 50              | PHG D-564-XL-... |                 |
|         | 283                      | 56.60        | 1 437,64     | 3,05   | 0,51 | 2,57 | 0,38 | 0,38  | 5,080 | 1,27  | 50              | PHG D-566-XL-... |                 |
|         | 287                      | 57.40        | 1 457,96     | 3,05   | 0,51 | 2,57 | 0,38 | 0,38  | 5,080 | 1,27  | 50              | PHG D-574-XL-... |                 |
|         | 290                      | 58.00        | 1 473,20     | 3,05   | 0,51 | 2,57 | 0,38 | 0,38  | 5,080 | 1,27  | 50              | PHG D-580-XL-... |                 |
|         | D-L                      | 54           | 20.25        | 514,35 | 4,57 | 0,76 | 4,65 | 0,51  | 0,51  | 9,525 | 1,91            | 40               | PHG D-203-L-... |
|         |                          | 56           | 21.00        | 533,40 | 4,57 | 0,76 | 4,65 | 0,51  | 0,51  | 9,525 | 1,91            | 40               | PHG D-210-L-... |
|         |                          | 57           | 21.38        | 542,93 | 4,57 | 0,76 | 4,65 | 0,51  | 0,51  | 9,525 | 1,91            | 40               | PHG D-214-L-... |
| 58      |                          | 21.75        | 552,45       | 4,57   | 0,76 | 4,65 | 0,51 | 0,51  | 9,525 | 1,91  | 40              | PHG D-217-L-...  |                 |
| 60      |                          | 22.50        | 571,50       | 4,57   | 0,76 | 4,65 | 0,51 | 0,51  | 9,525 | 1,91  | 40              | PHG D-225-L-...  |                 |
| 62      |                          | 23.25        | 590,55       | 4,57   | 0,76 | 4,65 | 0,51 | 0,51  | 9,525 | 1,91  | 40              | PHG D-232-L-...  |                 |
| 63      |                          | 23.60        | 599,44       | 4,57   | 0,76 | 4,65 | 0,51 | 0,51  | 9,525 | 1,91  | 40              | PHG D-236-L-...  |                 |
| 64      |                          | 24.00        | 609,60       | 4,57   | 0,76 | 4,65 | 0,51 | 0,51  | 9,525 | 1,91  | 40              | PHG D-240-L-...  |                 |
| 65      |                          | 24.38        | 619,13       | 4,57   | 0,76 | 4,65 | 0,51 | 0,51  | 9,525 | 1,91  | 40              | PHG D-244-L-...  |                 |
| 68      |                          | 25.50        | 647,70       | 4,57   | 0,76 | 4,65 | 0,51 | 0,51  | 9,525 | 1,91  | 40              | PHG D-255-L-...  |                 |
| 69      |                          | 25.75        | 654,05       | 4,57   | 0,76 | 4,65 | 0,51 | 0,51  | 9,525 | 1,91  | 40              | PHG D-258-L-...  |                 |
| 70      |                          | 26.25        | 666,75       | 4,57   | 0,76 | 4,65 | 0,51 | 0,51  | 9,525 | 1,91  | 40              | PHG D-263-L-...  |                 |
| 71      |                          | 26.63        | 676,28       | 4,57   | 0,76 | 4,65 | 0,51 | 0,51  | 9,525 | 1,91  | 40              | PHG D-265-L-...  |                 |
| 72      |                          | 27.00        | 685,80       | 4,57   | 0,76 | 4,65 | 0,51 | 0,51  | 9,525 | 1,91  | 40              | PHG D-270-L-...  |                 |
| 73      |                          | 27.38        | 695,33       | 4,57   | 0,76 | 4,65 | 0,51 | 0,51  | 9,525 | 1,91  | 40              | PHG D-275-L-...  |                 |
| 74      |                          | 27.75        | 704,85       | 4,57   | 0,76 | 4,65 | 0,51 | 0,51  | 9,525 | 1,91  | 40              | PHG D-277-L-...  |                 |
| 75      |                          | 28.13        | 714,38       | 4,57   | 0,76 | 4,65 | 0,51 | 0,51  | 9,525 | 1,91  | 40              | PHG D-280-L-...  |                 |
| 76      |                          | 28.50        | 723,90       | 4,57   | 0,76 | 4,65 | 0,51 | 0,51  | 9,525 | 1,91  | 40              | PHG D-285-L-...  |                 |
| 80      |                          | 30.00        | 762,00       | 4,57   | 0,76 | 4,65 | 0,51 | 0,51  | 9,525 | 1,91  | 40              | PHG D-300-L-...  |                 |
| 81      |                          | 30.38        | 771,53       | 4,57   | 0,76 | 4,65 | 0,51 | 0,51  | 9,525 | 1,91  | 40              | PHG D-304-L-...  |                 |
| 84      |                          | 31.50        | 800,10       | 4,57   | 0,76 | 4,65 | 0,51 | 0,51  | 9,525 | 1,91  | 40              | PHG D-315-L-...  |                 |
| 85      |                          | 31.88        | 809,63       | 4,57   | 0,76 | 4,65 | 0,51 | 0,51  | 9,525 | 1,91  | 40              | PHG D-320-L-...  |                 |
| 86      |                          | 32.25        | 819,15       | 4,57   | 0,76 | 4,65 | 0,51 | 0,51  | 9,525 | 1,91  | 40              | PHG D-322-L-...  |                 |
| 87      |                          | 32.63        | 828,68       | 4,57   | 0,76 | 4,65 | 0,51 | 0,51  | 9,525 | 1,91  | 40              | PHG D-328-L-...  |                 |
| 88      |                          | 33.00        | 838,20       | 4,57   | 0,76 | 4,65 | 0,51 | 0,51  | 9,525 | 1,91  | 40              | PHG D-330-L-...  |                 |
| 89      |                          | 33.38        | 847,73       | 4,57   | 0,76 | 4,65 | 0,51 | 0,51  | 9,525 | 1,91  | 40              | PHG D-334-L-...  |                 |
| 90      |                          | 33.75        | 857,25       | 4,57   | 0,76 | 4,65 | 0,51 | 0,51  | 9,525 | 1,91  | 40              | PHG D-337-L-...  |                 |
| 91      |                          | 34.13        | 866,78       | 4,57   | 0,76 | 4,65 | 0,51 | 0,51  | 9,525 | 1,91  | 40              | PHG D-341-L-...  |                 |
| 92      |                          | 34.50        | 876,30       | 4,57   | 0,76 | 4,65 | 0,51 | 0,51  | 9,525 | 1,91  | 40              | PHG D-345-L-...  |                 |
| 94      |                          | 35.25        | 895,35       | 4,57   | 0,76 | 4,65 | 0,51 | 0,51  | 9,525 | 1,91  | 40              | PHG D-352-L-...  |                 |
| 96      |                          | 36.00        | 914,40       | 4,57   | 0,76 | 4,65 | 0,51 | 0,51  | 9,525 | 1,91  | 40              | PHG D-360-L-...  |                 |
| 98      |                          | 36.75        | 933,45       | 4,57   | 0,76 | 4,65 | 0,51 | 0,51  | 9,525 | 1,91  | 40              | PHG D-367-L-...  |                 |
| 99      |                          | 37.13        | 942,98       | 4,57   | 0,76 | 4,65 | 0,51 | 0,51  | 9,525 | 1,91  | 40              | PHG D-371-L-...  |                 |
| 100     |                          | 37.50        | 952,50       | 4,57   | 0,76 | 4,65 | 0,51 | 0,51  | 9,525 | 1,91  | 40              | PHG D-375-L-...  |                 |
| 102     |                          | 38.25        | 971,55       | 4,57   | 0,76 | 4,65 | 0,51 | 0,51  | 9,525 | 1,91  | 40              | PHG D-382-L-...  |                 |
| 103     |                          | 38.63        | 981,08       | 4,57   | 0,76 | 4,65 | 0,51 | 0,51  | 9,525 | 1,91  | 40              | PHG D-387-L-...  |                 |
| 104     |                          | 39.00        | 990,60       | 4,57   | 0,76 | 4,65 | 0,51 | 0,51  | 9,525 | 1,91  | 40              | PHG D-390-L-...  |                 |
| 105     |                          | 39.38        | 1 000,13     | 4,57   | 0,76 | 4,65 | 0,51 | 0,51  | 9,525 | 1,91  | 40              | PHG D-394-L-...  |                 |
| 106     |                          | 39.75        | 1 009,65     | 4,57   | 0,76 | 4,65 | 0,51 | 0,51  | 9,525 | 1,91  | 40              | PHG D-397-L-...  |                 |
| 108     |                          | 40.50        | 1 028,70     | 4,57   | 0,76 | 4,65 | 0,51 | 0,51  | 9,525 | 1,91  | 40              | PHG D-405-L-...  |                 |
| 109     |                          | 40.88        | 1 038,23     | 4,57   | 0,76 | 4,65 | 0,51 | 0,51  | 9,525 | 1,91  | 40              | PHG D-408-L-...  |                 |
| 110     |                          | 41.25        | 1 047,75     | 4,57   | 0,76 | 4,65 | 0,51 | 0,51  | 9,525 | 1,91  | 40              | PHG D-412-L-...  |                 |
| 112     |                          | 42.00        | 1 066,80     | 4,57   | 0,76 | 4,65 | 0,51 | 0,51  | 9,525 | 1,91  | 40              | PHG D-420-L-...  |                 |
| 114     |                          | 42.75        | 1 085,85     | 4,57   | 0,76 | 4,65 | 0,51 | 0,51  | 9,525 | 1,91  | 40              | PHG D-427-L-...  |                 |
| 116     |                          | 43.50        | 1 104,90     | 4,57   | 0,76 | 4,65 | 0,51 | 0,51  | 9,525 | 1,91  | 40              | PHG D-435-L-...  |                 |
| 117     |                          | 43.88        | 1 114,43     | 4,57   | 0,76 | 4,65 | 0,51 | 0,51  | 9,525 | 1,91  | 40              | PHG D-439-L-...  |                 |
| 118     |                          | 44.25        | 1 123,95     | 4,57   | 0,76 | 4,65 | 0,51 | 0,51  | 9,525 | 1,91  | 40              | PHG D-442-L-...  |                 |
| 120     |                          | 45.00        | 1 143,00     | 4,57   | 0,76 | 4,65 | 0,51 | 0,51  | 9,525 | 1,91  | 40              | PHG D-450-L-...  |                 |
| 121     |                          | 45.38        | 1 152,53     | 4,57   | 0,76 | 4,65 | 0,51 | 0,51  | 9,525 | 1,91  | 40              | PHG D-453-L-...  |                 |
| 123     |                          | 46.13        | 1 171,70     | 4,57   | 0,76 | 4,65 | 0,51 | 0,51  | 9,525 | 1,91  | 40              | PHG D-461-L-...  |                 |
| 124     |                          | 46.50        | 1 181,10     | 4,57   | 0,76 | 4,65 | 0,51 | 0,51  | 9,525 | 1,91  | 40              | PHG D-465-L-...  |                 |
| 128     |                          | 48.00        | 1 219,20     | 4,57   | 0,76 | 4,65 | 0,51 | 0,51  | 9,525 | 1,91  | 40              | PHG D-480-L-...  |                 |
| 132     | 49.50                    | 1 257,30     | 4,57         | 0,76   | 4,65 | 0,51 | 0,51 | 9,525 | 1,91  | 40    | PHG D-495-L-... |                  |                 |
| 133     | 50.00                    | 1 270,00     | 4,57         | 0,76   | 4,65 | 0,51 | 0,51 | 9,525 | 1,91  | 40    | PHG D-500-L-... |                  |                 |
| 136     | 51.00                    | 1 295,40     | 4,57         | 0,76   | 4,65 | 0,51 | 0,51 | 9,525 | 1,91  | 40    | PHG D-510-L-... |                  |                 |
| 138     | 51.80                    | 1 315,72     | 4,57         | 0,76   | 4,65 | 0,51 | 0,51 | 9,525 | 1,91  | 40    | PHG D-518-L-... |                  |                 |
| 140     | 52.50                    | 1 333,50     | 4,57         | 0,76   | 4,65 | 0,51 | 0,51 | 9,525 | 1,91  | 40    | PHG D-525-L-... |                  |                 |
| 144     | 54.00                    | 1 371,60     | 4,57         | 0,76   | 4,65 | 0,51 | 0,51 | 9,525 | 1,91  | 40    | PHG D-540-L-... |                  |                 |
| 146     | 54.75                    | 1 390,65     | 4,57         | 0,76   | 4,65 | 0,51 | 0,51 | 9,525 | 1,91  | 40    | PHG D-548-L-... |                  |                 |
| 148     | 55.50                    | 1 409,70     | 4,57         | 0,76   | 4,65 | 0,51 | 0,51 | 9,525 | 1,91  | 40    | PHG D-555-L-... |                  |                 |
| 152     | 57.00                    | 1 447,80     | 4,57         | 0,76   | 4,65 | 0,51 | 0,51 | 9,525 | 1,91  | 40    | PHG D-570-L-... |                  |                 |

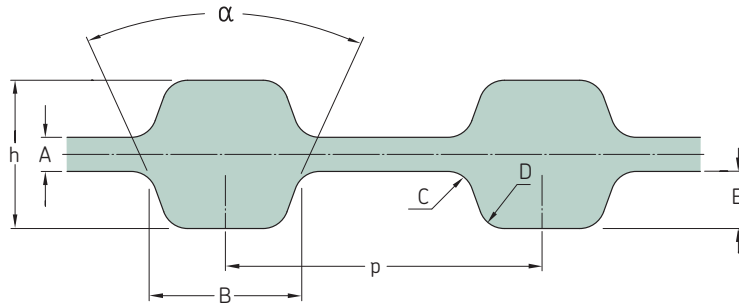
Non-standard lengths may also be available.

To complete designation add three digits for belt width in 1/100ths of an inch; e.g. for a 1/4" width add 025 or for a 3/8" width add 037.

Full sleeves are available in various widths. Please contact your SKF Authorized Distributor.

# SKF Double-sided Classical Timing Belts

D-L | D-H



| Section | Number of teeth per side | Dimensions   |          | h    | A    | B    | C    | D    | p      | E    | α  | Designation     |
|---------|--------------------------|--------------|----------|------|------|------|------|------|--------|------|----|-----------------|
|         |                          | Pitch length |          |      |      |      |      |      |        |      |    |                 |
|         |                          | in.          | mm       |      |      |      |      |      |        |      |    |                 |
|         |                          |              |          | °    |      |      |      |      |        |      |    |                 |
| D-L     | 153                      | 57.38        | 1 457.33 | 4,57 | 0,76 | 4,65 | 0,51 | 0,51 | 9,525  | 1,91 | 40 | PHG D-574-L-... |
|         | 155                      | 58.13        | 1 476.38 | 4,57 | 0,76 | 4,65 | 0,51 | 0,51 | 9,525  | 1,91 | 40 | PHG D-581-L-... |
|         | 156                      | 58.50        | 1 485.90 | 4,57 | 0,76 | 4,65 | 0,51 | 0,51 | 9,525  | 1,91 | 40 | PHG D-585-L-... |
|         | 160                      | 60.00        | 1 524.00 | 4,57 | 0,76 | 4,65 | 0,51 | 0,51 | 9,525  | 1,91 | 40 | PHG D-600-L-... |
|         | 165                      | 61.90        | 1 572.26 | 4,57 | 0,76 | 4,65 | 0,51 | 0,51 | 9,525  | 1,91 | 40 | PHG D-619-L-... |
|         | 168                      | 63.00        | 1 600.20 | 4,57 | 0,76 | 4,65 | 0,51 | 0,51 | 9,525  | 1,91 | 40 | PHG D-630-L-... |
|         | 169                      | 63.40        | 1 610.36 | 4,57 | 0,76 | 4,65 | 0,51 | 0,51 | 9,525  | 1,91 | 40 | PHG D-634-L-... |
|         | 176                      | 66.00        | 1 676.40 | 4,57 | 0,76 | 4,65 | 0,51 | 0,51 | 9,525  | 1,91 | 40 | PHG D-660-L-... |
| D-H     | 40                       | 20.00        | 508.00   | 5,95 | 1,37 | 6,12 | 1,02 | 1,02 | 12,700 | 2,29 | 40 | PHG D-200-H-... |
|         | 41                       | 20.50        | 520.70   | 5,95 | 1,37 | 6,12 | 1,02 | 1,02 | 12,700 | 2,29 | 40 | PHG D-205-H-... |
|         | 42                       | 21.00        | 533.40   | 5,95 | 1,37 | 6,12 | 1,02 | 1,02 | 12,700 | 2,29 | 40 | PHG D-210-H-... |
|         | 44                       | 22.00        | 558.80   | 5,95 | 1,37 | 6,12 | 1,02 | 1,02 | 12,700 | 2,29 | 40 | PHG D-220-H-... |
|         | 45                       | 22.50        | 571.50   | 5,95 | 1,37 | 6,12 | 1,02 | 1,02 | 12,700 | 2,29 | 40 | PHG D-225-H-... |
|         | 46                       | 23.00        | 584.20   | 5,95 | 1,37 | 6,12 | 1,02 | 1,02 | 12,700 | 2,29 | 40 | PHG D-230-H-... |
|         | 48                       | 24.00        | 609.60   | 5,95 | 1,37 | 6,12 | 1,02 | 1,02 | 12,700 | 2,29 | 40 | PHG D-240-H-... |
|         | 49                       | 24.50        | 622.30   | 5,95 | 1,37 | 6,12 | 1,02 | 1,02 | 12,700 | 2,29 | 40 | PHG D-245-H-... |
|         | 49                       | 24.50        | 622.30   | 5,95 | 1,37 | 6,12 | 1,02 | 1,02 | 12,700 | 2,29 | 40 | PHG D-245-H-... |
|         | 50                       | 25.00        | 635.00   | 5,95 | 1,37 | 6,12 | 1,02 | 1,02 | 12,700 | 2,29 | 40 | PHG D-250-H-... |
|         | 51                       | 25.50        | 647.70   | 5,95 | 1,37 | 6,12 | 1,02 | 1,02 | 12,700 | 2,29 | 40 | PHG D-255-H-... |
|         | 52                       | 26.00        | 660.40   | 5,95 | 1,37 | 6,12 | 1,02 | 1,02 | 12,700 | 2,29 | 40 | PHG D-260-H-... |
|         | 54                       | 27.00        | 685.80   | 5,95 | 1,37 | 6,12 | 1,02 | 1,02 | 12,700 | 2,29 | 40 | PHG D-270-H-... |
|         | 56                       | 28.00        | 711.20   | 5,95 | 1,37 | 6,12 | 1,02 | 1,02 | 12,700 | 2,29 | 40 | PHG D-280-H-... |
|         | 57                       | 28.50        | 723.90   | 5,95 | 1,37 | 6,12 | 1,02 | 1,02 | 12,700 | 2,29 | 40 | PHG D-285-H-... |
|         | 58                       | 29.00        | 736.60   | 5,95 | 1,37 | 6,12 | 1,02 | 1,02 | 12,700 | 2,29 | 40 | PHG D-290-H-... |
|         | 60                       | 30.00        | 762.00   | 5,95 | 1,37 | 6,12 | 1,02 | 1,02 | 12,700 | 2,29 | 40 | PHG D-300-H-... |
|         | 62                       | 31.00        | 787.40   | 5,95 | 1,37 | 6,12 | 1,02 | 1,02 | 12,700 | 2,29 | 40 | PHG D-310-H-... |
|         | 63                       | 31.50        | 800.10   | 5,95 | 1,37 | 6,12 | 1,02 | 1,02 | 12,700 | 2,29 | 40 | PHG D-315-H-... |
|         | 64                       | 32.00        | 812.80   | 5,95 | 1,37 | 6,12 | 1,02 | 1,02 | 12,700 | 2,29 | 40 | PHG D-320-H-... |
|         | 65                       | 32.50        | 825.50   | 5,95 | 1,37 | 6,12 | 1,02 | 1,02 | 12,700 | 2,29 | 40 | PHG D-325-H-... |
|         | 66                       | 33.00        | 838.20   | 5,95 | 1,37 | 6,12 | 1,02 | 1,02 | 12,700 | 2,29 | 40 | PHG D-330-H-... |
|         | 67                       | 33.50        | 850.90   | 5,95 | 1,37 | 6,12 | 1,02 | 1,02 | 12,700 | 2,29 | 40 | PHG D-335-H-... |
|         | 68                       | 34.00        | 863.60   | 5,95 | 1,37 | 6,12 | 1,02 | 1,02 | 12,700 | 2,29 | 40 | PHG D-340-H-... |
|         | 69                       | 34.50        | 876.30   | 5,95 | 1,37 | 6,12 | 1,02 | 1,02 | 12,700 | 2,29 | 40 | PHG D-345-H-... |
|         | 70                       | 35.00        | 889.00   | 5,95 | 1,37 | 6,12 | 1,02 | 1,02 | 12,700 | 2,29 | 40 | PHG D-350-H-... |
|         | 71                       | 35.50        | 901.70   | 5,95 | 1,37 | 6,12 | 1,02 | 1,02 | 12,700 | 2,29 | 40 | PHG D-355-H-... |
|         | 72                       | 36.00        | 914.40   | 5,95 | 1,37 | 6,12 | 1,02 | 1,02 | 12,700 | 2,29 | 40 | PHG D-360-H-... |
|         | 73                       | 36.50        | 927.10   | 5,95 | 1,37 | 6,12 | 1,02 | 1,02 | 12,700 | 2,29 | 40 | PHG D-365-H-... |
|         | 74                       | 37.00        | 939.80   | 5,95 | 1,37 | 6,12 | 1,02 | 1,02 | 12,700 | 2,29 | 40 | PHG D-370-H-... |
|         | 75                       | 37.50        | 952.50   | 5,95 | 1,37 | 6,12 | 1,02 | 1,02 | 12,700 | 2,29 | 40 | PHG D-375-H-... |
|         | 76                       | 38.00        | 965.20   | 5,95 | 1,37 | 6,12 | 1,02 | 1,02 | 12,700 | 2,29 | 40 | PHG D-380-H-... |
|         | 78                       | 39.00        | 990.60   | 5,95 | 1,37 | 6,12 | 1,02 | 1,02 | 12,700 | 2,29 | 40 | PHG D-390-H-... |
|         | 79                       | 39.50        | 1 003.30 | 5,95 | 1,37 | 6,12 | 1,02 | 1,02 | 12,700 | 2,29 | 40 | PHG D-395-H-... |
|         | 80                       | 40.00        | 1 016.00 | 5,95 | 1,37 | 6,12 | 1,02 | 1,02 | 12,700 | 2,29 | 40 | PHG D-400-H-... |
|         | 81                       | 40.50        | 1 028.70 | 5,95 | 1,37 | 6,12 | 1,02 | 1,02 | 12,700 | 2,29 | 40 | PHG D-405-H-... |
|         | 82                       | 41.00        | 1 041.40 | 5,95 | 1,37 | 6,12 | 1,02 | 1,02 | 12,700 | 2,29 | 40 | PHG D-410-H-... |
|         | 84                       | 42.00        | 1 066.80 | 5,95 | 1,37 | 6,12 | 1,02 | 1,02 | 12,700 | 2,29 | 40 | PHG D-420-H-... |
|         | 85                       | 42.50        | 1 079.50 | 5,95 | 1,37 | 6,12 | 1,02 | 1,02 | 12,700 | 2,29 | 40 | PHG D-425-H-... |
|         | 86                       | 43.00        | 1 092.20 | 5,95 | 1,37 | 6,12 | 1,02 | 1,02 | 12,700 | 2,29 | 40 | PHG D-430-H-... |
|         | 89                       | 44.50        | 1 130.30 | 5,95 | 1,37 | 6,12 | 1,02 | 1,02 | 12,700 | 2,29 | 40 | PHG D-445-H-... |
|         | 90                       | 45.00        | 1 143.00 | 5,95 | 1,37 | 6,12 | 1,02 | 1,02 | 12,700 | 2,29 | 40 | PHG D-450-H-... |
|         | 92                       | 46.00        | 1 168.40 | 5,95 | 1,37 | 6,12 | 1,02 | 1,02 | 12,700 | 2,29 | 40 | PHG D-460-H-... |
|         | 93                       | 46.50        | 1 181.10 | 5,95 | 1,37 | 6,12 | 1,02 | 1,02 | 12,700 | 2,29 | 40 | PHG D-465-H-... |
|         | 94                       | 47.00        | 1 193.80 | 5,95 | 1,37 | 6,12 | 1,02 | 1,02 | 12,700 | 2,29 | 40 | PHG D-470-H-... |
|         | 96                       | 48.00        | 1 219.20 | 5,95 | 1,37 | 6,12 | 1,02 | 1,02 | 12,700 | 2,29 | 40 | PHG D-480-H-... |

Non-standard lengths may also be available.  
 To complete designation add three digits for belt width in 1/100ths of an inch; e.g. for a 1/4" width add 025 or for a 3/8" width add 037.  
 Full sleeves are available in various widths. Please contact your SKF Authorized Distributor.

# SKF Double-sided Classical Timing Belts

D-H

| Section | Number of teeth per side | Dimensions   |          | h    | A    | B    | C    | D    | p      | E    | α  | Designation     |
|---------|--------------------------|--------------|----------|------|------|------|------|------|--------|------|----|-----------------|
|         |                          | Pitch length |          |      |      |      |      |      |        |      |    |                 |
| -       | -                        | in.          | mm       |      |      |      |      |      |        |      | °  | -               |
| D-H     | 97                       | 48.50        | 1 231,90 | 5,95 | 1,37 | 6,12 | 1,02 | 1,02 | 12,700 | 2,29 | 40 | PHG D-485-H...  |
|         | 98                       | 49.00        | 1 244,60 | 5,95 | 1,37 | 6,12 | 1,02 | 1,02 | 12,700 | 2,29 | 40 | PHG D-490-H...  |
|         | 100                      | 50.00        | 1 270,00 | 5,95 | 1,37 | 6,12 | 1,02 | 1,02 | 12,700 | 2,29 | 40 | PHG D-500-H...  |
|         | 102                      | 51.00        | 1 295,40 | 5,95 | 1,37 | 6,12 | 1,02 | 1,02 | 12,700 | 2,29 | 40 | PHG D-510-H...  |
|         | 103                      | 51.50        | 1 308,10 | 5,95 | 1,37 | 6,12 | 1,02 | 1,02 | 12,700 | 2,29 | 40 | PHG D-515-H...  |
|         | 104                      | 52.00        | 1 320,80 | 5,95 | 1,37 | 6,12 | 1,02 | 1,02 | 12,700 | 2,29 | 40 | PHG D-520-H...  |
|         | 105                      | 52.50        | 1 333,50 | 5,95 | 1,37 | 6,12 | 1,02 | 1,02 | 12,700 | 2,29 | 40 | PHG D-525-H...  |
|         | 106                      | 53.00        | 1 346,20 | 5,95 | 1,37 | 6,12 | 1,02 | 1,02 | 12,700 | 2,29 | 40 | PHG D-530-H...  |
|         | 107                      | 53.50        | 1 358,90 | 5,95 | 1,37 | 6,12 | 1,02 | 1,02 | 12,700 | 2,29 | 40 | PHG D-535-H...  |
|         | 108                      | 54.00        | 1 371,60 | 5,95 | 1,37 | 6,12 | 1,02 | 1,02 | 12,700 | 2,29 | 40 | PHG D-540-H...  |
|         | 110                      | 55.00        | 1 397,00 | 5,95 | 1,37 | 6,12 | 1,02 | 1,02 | 12,700 | 2,29 | 40 | PHG D-550-H...  |
|         | 111                      | 55.00        | 1 397,00 | 5,95 | 1,37 | 6,12 | 1,02 | 1,02 | 12,700 | 2,29 | 40 | PHG D-555-H...  |
|         | 112                      | 56.00        | 1 422,40 | 5,95 | 1,37 | 6,12 | 1,02 | 1,02 | 12,700 | 2,29 | 40 | PHG D-560-H...  |
|         | 113                      | 56.50        | 1 435,10 | 5,95 | 1,37 | 6,12 | 1,02 | 1,02 | 12,700 | 2,29 | 40 | PHG D-565-H...  |
|         | 114                      | 57.00        | 1 447,80 | 5,95 | 1,37 | 6,12 | 1,02 | 1,02 | 12,700 | 2,29 | 40 | PHG D-570-H...  |
|         | 116                      | 58.00        | 1 473,20 | 5,95 | 1,37 | 6,12 | 1,02 | 1,02 | 12,700 | 2,29 | 40 | PHG D-580-H...  |
|         | 117                      | 58.50        | 1 485,90 | 5,95 | 1,37 | 6,12 | 1,02 | 1,02 | 12,700 | 2,29 | 40 | PHG D-585-H...  |
|         | 118                      | 59.00        | 1 498,60 | 5,95 | 1,37 | 6,12 | 1,02 | 1,02 | 12,700 | 2,29 | 40 | PHG D-590-H...  |
|         | 120                      | 60.00        | 1 524,00 | 5,95 | 1,37 | 6,12 | 1,02 | 1,02 | 12,700 | 2,29 | 40 | PHG D-600-H...  |
|         | 121                      | 60.50        | 1 536,70 | 5,95 | 1,37 | 6,12 | 1,02 | 1,02 | 12,700 | 2,29 | 40 | PHG D-605-H...  |
|         | 122                      | 61.00        | 1 549,40 | 5,95 | 1,37 | 6,12 | 1,02 | 1,02 | 12,700 | 2,29 | 40 | PHG D-610-H...  |
|         | 125                      | 62.50        | 1 587,50 | 5,95 | 1,37 | 6,12 | 1,02 | 1,02 | 12,700 | 2,29 | 40 | PHG D-625-H...  |
|         | 126                      | 63.00        | 1 600,20 | 5,95 | 1,37 | 6,12 | 1,02 | 1,02 | 12,700 | 2,29 | 40 | PHG D-630-H...  |
|         | 128                      | 64.00        | 1 625,60 | 5,95 | 1,37 | 6,12 | 1,02 | 1,02 | 12,700 | 2,29 | 40 | PHG D-640-H...  |
|         | 130                      | 65.00        | 1 651,00 | 5,95 | 1,37 | 6,12 | 1,02 | 1,02 | 12,700 | 2,29 | 40 | PHG D-650-H...  |
|         | 132                      | 66.00        | 1 676,40 | 5,95 | 1,37 | 6,12 | 1,02 | 1,02 | 12,700 | 2,29 | 40 | PHG D-660-H...  |
|         | 134                      | 67.00        | 1 701,80 | 5,95 | 1,37 | 6,12 | 1,02 | 1,02 | 12,700 | 2,29 | 40 | PHG D-670-H...  |
|         | 136                      | 68.00        | 1 727,20 | 5,95 | 1,37 | 6,12 | 1,02 | 1,02 | 12,700 | 2,29 | 40 | PHG D-680-H...  |
|         | 138                      | 69.00        | 1 752,60 | 5,95 | 1,37 | 6,12 | 1,02 | 1,02 | 12,700 | 2,29 | 40 | PHG D-690-H...  |
|         | 139                      | 69.50        | 1 765,30 | 5,95 | 1,37 | 6,12 | 1,02 | 1,02 | 12,700 | 2,29 | 40 | PHG D-695-H...  |
|         | 140                      | 70.00        | 1 778,00 | 5,95 | 1,37 | 6,12 | 1,02 | 1,02 | 12,700 | 2,29 | 40 | PHG D-700-H...  |
|         | 142                      | 71.00        | 1 803,40 | 5,95 | 1,37 | 6,12 | 1,02 | 1,02 | 12,700 | 2,29 | 40 | PHG D-710-H...  |
|         | 144                      | 72.00        | 1 828,80 | 5,95 | 1,37 | 6,12 | 1,02 | 1,02 | 12,700 | 2,29 | 40 | PHG D-720-H...  |
|         | 145                      | 72.50        | 1 841,50 | 5,95 | 1,37 | 6,12 | 1,02 | 1,02 | 12,700 | 2,29 | 40 | PHG D-725-H...  |
|         | 146                      | 73.00        | 1 854,20 | 5,95 | 1,37 | 6,12 | 1,02 | 1,02 | 12,700 | 2,29 | 40 | PHG D-730-H...  |
|         | 148                      | 74.00        | 1 879,60 | 5,95 | 1,37 | 6,12 | 1,02 | 1,02 | 12,700 | 2,29 | 40 | PHG D-740-H...  |
|         | 150                      | 75.00        | 1 905,00 | 5,95 | 1,37 | 6,12 | 1,02 | 1,02 | 12,700 | 2,29 | 40 | PHG D-750-H...  |
|         | 154                      | 77.00        | 1 955,80 | 5,95 | 1,37 | 6,12 | 1,02 | 1,02 | 12,700 | 2,29 | 40 | PHG D-770-H...  |
|         | 155                      | 77.50        | 1 968,50 | 5,95 | 1,37 | 6,12 | 1,02 | 1,02 | 12,700 | 2,29 | 40 | PHG D-775-H...  |
|         | 157                      | 78.50        | 1 993,90 | 5,95 | 1,37 | 6,12 | 1,02 | 1,02 | 12,700 | 2,29 | 40 | PHG D-785-H...  |
|         | 160                      | 80.00        | 2 032,00 | 5,95 | 1,37 | 6,12 | 1,02 | 1,02 | 12,700 | 2,29 | 40 | PHG D-800-H...  |
|         | 162                      | 81.00        | 2 057,40 | 5,95 | 1,37 | 6,12 | 1,02 | 1,02 | 12,700 | 2,29 | 40 | PHG D-810-H...  |
|         | 164                      | 82.00        | 2 082,80 | 5,95 | 1,37 | 6,12 | 1,02 | 1,02 | 12,700 | 2,29 | 40 | PHG D-820-H...  |
|         | 166                      | 83.00        | 2 108,20 | 5,95 | 1,37 | 6,12 | 1,02 | 1,02 | 12,700 | 2,29 | 40 | PHG D-830-H...  |
|         | 168                      | 84.00        | 2 133,60 | 5,95 | 1,37 | 6,12 | 1,02 | 1,02 | 12,700 | 2,29 | 40 | PHG D-840-H...  |
|         | 170                      | 85.00        | 2 159,00 | 5,95 | 1,37 | 6,12 | 1,02 | 1,02 | 12,700 | 2,29 | 40 | PHG D-850-H...  |
|         | 172                      | 86.00        | 2 184,40 | 5,95 | 1,37 | 6,12 | 1,02 | 1,02 | 12,700 | 2,29 | 40 | PHG D-860-H...  |
|         | 176                      | 88.00        | 2 235,20 | 5,95 | 1,37 | 6,12 | 1,02 | 1,02 | 12,700 | 2,29 | 40 | PHG D-880-H...  |
|         | 179                      | 89.50        | 2 273,30 | 5,95 | 1,37 | 6,12 | 1,02 | 1,02 | 12,700 | 2,29 | 40 | PHG D-895-H...  |
|         | 180                      | 90.00        | 2 286,00 | 5,95 | 1,37 | 6,12 | 1,02 | 1,02 | 12,700 | 2,29 | 40 | PHG D-900-H...  |
|         | 184                      | 92.00        | 2 336,80 | 5,95 | 1,37 | 6,12 | 1,02 | 1,02 | 12,700 | 2,29 | 40 | PHG D-920-H...  |
|         | 186                      | 93.00        | 2 362,20 | 5,95 | 1,37 | 6,12 | 1,02 | 1,02 | 12,700 | 2,29 | 40 | PHG D-930-H...  |
|         | 190                      | 95.00        | 2 413,00 | 5,95 | 1,37 | 6,12 | 1,02 | 1,02 | 12,700 | 2,29 | 40 | PHG D-950-H...  |
|         | 192                      | 96.00        | 2 438,40 | 5,95 | 1,37 | 6,12 | 1,02 | 1,02 | 12,700 | 2,29 | 40 | PHG D-960-H...  |
|         | 196                      | 98.00        | 2 489,20 | 5,95 | 1,37 | 6,12 | 1,02 | 1,02 | 12,700 | 2,29 | 40 | PHG D-980-H...  |
|         | 197                      | 98.50        | 2 501,90 | 5,95 | 1,37 | 6,12 | 1,02 | 1,02 | 12,700 | 2,29 | 40 | PHG D-985-H...  |
|         | 200                      | 100.00       | 2 540,00 | 5,95 | 1,37 | 6,12 | 1,02 | 1,02 | 12,700 | 2,29 | 40 | PHG D-1000-H... |
|         | 204                      | 102.00       | 2 590,80 | 5,95 | 1,37 | 6,12 | 1,02 | 1,02 | 12,700 | 2,29 | 40 | PHG D-1020-H... |
|         | 206                      | 103.00       | 2 616,20 | 5,95 | 1,37 | 6,12 | 1,02 | 1,02 | 12,700 | 2,29 | 40 | PHG D-1030-H... |
|         | 210                      | 105.00       | 2 667,00 | 5,95 | 1,37 | 6,12 | 1,02 | 1,02 | 12,700 | 2,29 | 40 | PHG D-1050-H... |
|         | 217                      | 108.50       | 2 755,90 | 5,95 | 1,37 | 6,12 | 1,02 | 1,02 | 12,700 | 2,29 | 40 | PHG D-1085-H... |
|         | 220                      | 110.00       | 2 794,00 | 5,95 | 1,37 | 6,12 | 1,02 | 1,02 | 12,700 | 2,29 | 40 | PHG D-1100-H... |
|         | 224                      | 112.00       | 2 844,80 | 5,95 | 1,37 | 6,12 | 1,02 | 1,02 | 12,700 | 2,29 | 40 | PHG D-1120-H... |
|         | 226                      | 113.00       | 2 870,20 | 5,95 | 1,37 | 6,12 | 1,02 | 1,02 | 12,700 | 2,29 | 40 | PHG D-1130-H... |
|         | 228                      | 114.00       | 2 895,60 | 5,95 | 1,37 | 6,12 | 1,02 | 1,02 | 12,700 | 2,29 | 40 | PHG D-1140-H... |
|         | 230                      | 115.00       | 2 921,00 | 5,95 | 1,37 | 6,12 | 1,02 | 1,02 | 12,700 | 2,29 | 40 | PHG D-1150-H... |
|         | 234                      | 117.00       | 2 971,80 | 5,95 | 1,37 | 6,12 | 1,02 | 1,02 | 12,700 | 2,29 | 40 | PHG D-1170-H... |
|         | 235                      | 117.50       | 2 984,50 | 5,95 | 1,37 | 6,12 | 1,02 | 1,02 | 12,700 | 2,29 | 40 | PHG D-1175-H... |
|         | 240                      | 120.00       | 3 048,00 | 5,95 | 1,37 | 6,12 | 1,02 | 1,02 | 12,700 | 2,29 | 40 | PHG D-1200-H... |
|         | 250                      | 125.00       | 3 175,00 | 5,95 | 1,37 | 6,12 | 1,02 | 1,02 | 12,700 | 2,29 | 40 | PHG D-1250-H... |
|         | 252                      | 126.00       | 3 200,40 | 5,95 | 1,37 | 6,12 | 1,02 | 1,02 | 12,700 | 2,29 | 40 | PHG D-1260-H... |
|         | 254                      | 127.00       | 3 225,80 | 5,95 | 1,37 | 6,12 | 1,02 | 1,02 | 12,700 | 2,29 | 40 | PHG D-1270-H... |
|         | 265                      | 132.50       | 3 365,50 | 5,95 | 1,37 | 6,12 | 1,02 | 1,02 | 12,700 | 2,29 | 40 | PHG D-1325-H... |
|         | 270                      | 135.00       | 3 429,00 | 5,95 | 1,37 | 6,12 | 1,02 | 1,02 | 12,700 | 2,29 | 40 | PHG D-1350-H... |
|         | 272                      | 136.00       | 3 454,40 | 5,95 | 1,37 | 6,12 | 1,02 | 1,02 | 12,700 | 2,29 | 40 | PHG D-1360-H... |
|         | 276                      | 138.00       | 3 505,20 | 5,95 | 1,37 | 6,12 | 1,02 | 1,02 | 12,700 | 2,29 | 40 | PHG D-1380-H... |

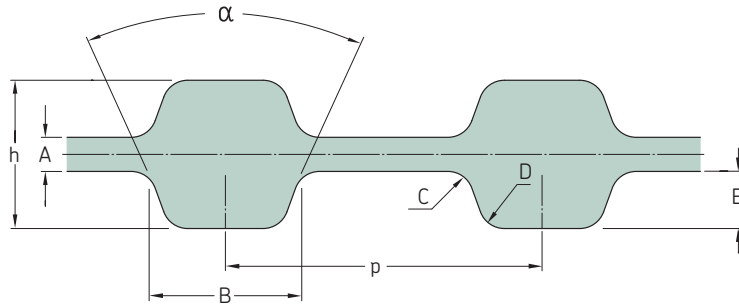
Non-standard lengths may also be available.

To complete designation add three digits for belt width in 1/100ths of an inch; e.g. for a 1/4" width add 025 or for a 3/8" width add 037.

Full sleeves are available in various widths. Please contact your SKF Authorized Distributor.

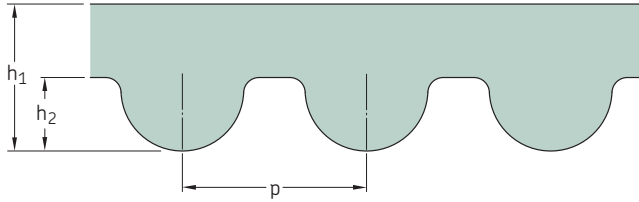
# SKF Double-sided Classical Timing Belts

D-H



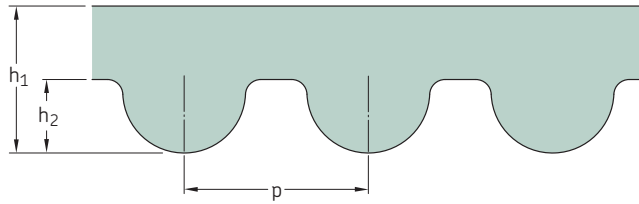
| Section | Number of teeth per side | Dimensions   |              | h    | A    | B    | C    | D    | p      | E    | α  | Designation      |
|---------|--------------------------|--------------|--------------|------|------|------|------|------|--------|------|----|------------------|
|         |                          | Pitch length | Pitch length |      |      |      |      |      |        |      |    |                  |
| -       | -                        | in.          | mm           |      |      |      |      |      |        |      | °  | -                |
| D-H     | 280                      | 140.00       | 3 556,00     | 5,95 | 1,37 | 6,12 | 1,02 | 1,02 | 12,700 | 2,29 | 40 | PHG D-1400-H-... |
|         | 288                      | 144.00       | 3 657,60     | 5,95 | 1,37 | 6,12 | 1,02 | 1,02 | 12,700 | 2,29 | 40 | PHG D-1440-H-... |
|         | 290                      | 145.00       | 3 683,00     | 5,95 | 1,37 | 6,12 | 1,02 | 1,02 | 12,700 | 2,29 | 40 | PHG D-1450-H-... |
|         | 292                      | 146.00       | 3 708,40     | 5,95 | 1,37 | 6,12 | 1,02 | 1,02 | 12,700 | 2,29 | 40 | PHG D-1460-H-... |
|         | 302                      | 151.00       | 3 835,40     | 5,95 | 1,37 | 6,12 | 1,02 | 1,02 | 12,700 | 2,29 | 40 | PHG D-1510-H-... |
|         | 307                      | 153.50       | 3 898,90     | 5,95 | 1,37 | 6,12 | 1,02 | 1,02 | 12,700 | 2,29 | 40 | PHG D-1535-H-... |
|         | 310                      | 155.00       | 3 937,00     | 5,95 | 1,37 | 6,12 | 1,02 | 1,02 | 12,700 | 2,29 | 40 | PHG D-1550-H-... |
|         | 312                      | 156.00       | 3 962,40     | 5,95 | 1,37 | 6,12 | 1,02 | 1,02 | 12,700 | 2,29 | 40 | PHG D-1560-H-... |
|         | 320                      | 160.00       | 4 064,00     | 5,95 | 1,37 | 6,12 | 1,02 | 1,02 | 12,700 | 2,29 | 40 | PHG D-1600-H-... |
|         | 326                      | 163.00       | 4 140,20     | 5,95 | 1,37 | 6,12 | 1,02 | 1,02 | 12,700 | 2,29 | 40 | PHG D-1630-H-... |
|         | 332                      | 166.00       | 4 216,40     | 5,95 | 1,37 | 6,12 | 1,02 | 1,02 | 12,700 | 2,29 | 40 | PHG D-1660-H-... |
|         | 336                      | 168.00       | 4 267,20     | 5,95 | 1,37 | 6,12 | 1,02 | 1,02 | 12,700 | 2,29 | 40 | PHG D-1680-H-... |
|         | 340                      | 170.00       | 4 318,00     | 5,95 | 1,37 | 6,12 | 1,02 | 1,02 | 12,700 | 2,29 | 40 | PHG D-1700-H-... |
|         | 350                      | 175.00       | 4 445,00     | 5,95 | 1,37 | 6,12 | 1,02 | 1,02 | 12,700 | 2,29 | 40 | PHG D-1750-H-... |
|         | 353                      | 176.50       | 4 483,10     | 5,95 | 1,37 | 6,12 | 1,02 | 1,02 | 12,700 | 2,29 | 40 | PHG D-1765-H-... |
|         | 371                      | 185.50       | 4 711,70     | 5,95 | 1,37 | 6,12 | 1,02 | 1,02 | 12,700 | 2,29 | 40 | PHG D-1855-H-... |
|         | 440                      | 220.00       | 5 588,00     | 5,95 | 1,37 | 6,12 | 1,02 | 1,02 | 12,700 | 2,29 | 40 | PHG D-2200-H-... |
|         | 442                      | 221.00       | 5 613,40     | 5,95 | 1,37 | 6,12 | 1,02 | 1,02 | 12,700 | 2,29 | 40 | PHG D-2210-H-... |
|         | 472                      | 236.00       | 5 994,40     | 5,95 | 1,37 | 6,12 | 1,02 | 1,02 | 12,700 | 2,29 | 40 | PHG D-2360-H-... |
|         | 500                      | 250.00       | 6 350,00     | 5,95 | 1,37 | 6,12 | 1,02 | 1,02 | 12,700 | 2,29 | 40 | PHG D-2500-H-... |
|         | 520                      | 260.00       | 6 604,00     | 5,95 | 1,37 | 6,12 | 1,02 | 1,02 | 12,700 | 2,29 | 40 | PHG D-2600-H-... |
|         | 536                      | 268.00       | 6 807,20     | 5,95 | 1,37 | 6,12 | 1,02 | 1,02 | 12,700 | 2,29 | 40 | PHG D-2680-H-... |
|         | 540                      | 270.00       | 6 858,00     | 5,95 | 1,37 | 6,12 | 1,02 | 1,02 | 12,700 | 2,29 | 40 | PHG D-2700-H-... |
|         | 544                      | 272.00       | 6 908,80     | 5,95 | 1,37 | 6,12 | 1,02 | 1,02 | 12,700 | 2,29 | 40 | PHG D-2720-H-... |

Non-standard lengths may also be available.  
 To complete designation add three digits for belt width in 1/100ths of an inch; e.g. for a 1/4" width add 025 or for a 3/8" width add 037.  
 Full sleeves are available in various widths. Please contact your SKF Authorized Distributor.



| Section | Number of teeth per side | Dimensions   |       |       | Designation    | Section        | Number of teeth per side | Dimensions |              |       | Designation    |       |                |
|---------|--------------------------|--------------|-------|-------|----------------|----------------|--------------------------|------------|--------------|-------|----------------|-------|----------------|
|         |                          | Pitch length | $h_1$ | $h_2$ |                |                |                          | $p$        | Pitch length | $h_1$ |                | $h_2$ | $p$            |
|         |                          | mm           |       |       |                |                | mm                       |            |              |       |                |       |                |
| 3M      | 20                       | 60           | 2,4   | 1,20  | 3,0            | PHG 60-3M-...  | 3M                       | 97         | 291          | 2,4   | 1,20           | 3,0   | PHG 291-3M-... |
|         | 27                       | 81           | 2,4   | 1,20  | 3,0            | PHG 81-3M-...  |                          | 98         | 294          | 2,4   | 1,20           | 3,0   | PHG 294-3M-... |
|         | 29                       | 87           | 2,4   | 1,20  | 3,0            | PHG 87-3M-...  |                          | 99         | 297          | 2,4   | 1,20           | 3,0   | PHG 297-3M-... |
|         | 30                       | 90           | 2,4   | 1,20  | 3,0            | PHG 90-3M-...  |                          | 100        | 300          | 2,4   | 1,20           | 3,0   | PHG 300-3M-... |
|         | 33                       | 99           | 2,4   | 1,20  | 3,0            | PHG 99-3M-...  |                          | 102        | 306          | 2,4   | 1,20           | 3,0   | PHG 306-3M-... |
|         | 34                       | 102          | 2,4   | 1,20  | 3,0            | PHG 102-3M-... |                          | 103        | 309          | 2,4   | 1,20           | 3,0   | PHG 309-3M-... |
|         | 37                       | 111          | 2,4   | 1,20  | 3,0            | PHG 111-3M-... |                          | 104        | 312          | 2,4   | 1,20           | 3,0   | PHG 312-3M-... |
|         | 39                       | 117          | 2,4   | 1,20  | 3,0            | PHG 117-3M-... |                          | 106        | 318          | 2,4   | 1,20           | 3,0   | PHG 318-3M-... |
|         | 40                       | 120          | 2,4   | 1,20  | 3,0            | PHG 120-3M-... |                          | 108        | 324          | 2,4   | 1,20           | 3,0   | PHG 324-3M-... |
|         | 43                       | 129          | 2,4   | 1,20  | 3,0            | PHG 129-3M-... |                          | 109        | 327          | 2,4   | 1,20           | 3,0   | PHG 327-3M-... |
|         | 44                       | 132          | 2,4   | 1,20  | 3,0            | PHG 132-3M-... |                          | 110        | 330          | 2,4   | 1,20           | 3,0   | PHG 330-3M-... |
|         | 46                       | 138          | 2,4   | 1,20  | 3,0            | PHG 138-3M-... |                          | 111        | 333          | 2,4   | 1,20           | 3,0   | PHG 333-3M-... |
|         | 47                       | 141          | 2,4   | 1,20  | 3,0            | PHG 141-3M-... |                          | 112        | 336          | 2,4   | 1,20           | 3,0   | PHG 336-3M-... |
|         | 48                       | 144          | 2,4   | 1,20  | 3,0            | PHG 144-3M-... |                          | 113        | 339          | 2,4   | 1,20           | 3,0   | PHG 339-3M-... |
|         | 50                       | 150          | 2,4   | 1,20  | 3,0            | PHG 150-3M-... |                          | 114        | 342          | 2,4   | 1,20           | 3,0   | PHG 342-3M-... |
|         | 51                       | 153          | 2,4   | 1,20  | 3,0            | PHG 153-3M-... |                          | 115        | 345          | 2,4   | 1,20           | 3,0   | PHG 345-3M-... |
|         | 52                       | 156          | 2,4   | 1,20  | 3,0            | PHG 156-3M-... |                          | 116        | 348          | 2,4   | 1,20           | 3,0   | PHG 348-3M-... |
|         | 53                       | 159          | 2,4   | 1,20  | 3,0            | PHG 159-3M-... |                          | 119        | 357          | 2,4   | 1,20           | 3,0   | PHG 357-3M-... |
|         | 54                       | 162          | 2,4   | 1,20  | 3,0            | PHG 162-3M-... |                          | 120        | 360          | 2,4   | 1,20           | 3,0   | PHG 360-3M-... |
|         | 55                       | 165          | 2,4   | 1,20  | 3,0            | PHG 165-3M-... |                          | 121        | 363          | 2,4   | 1,20           | 3,0   | PHG 363-3M-... |
|         | 56                       | 168          | 2,4   | 1,20  | 3,0            | PHG 168-3M-... |                          | 122        | 366          | 2,4   | 1,20           | 3,0   | PHG 366-3M-... |
|         | 57                       | 171          | 2,4   | 1,20  | 3,0            | PHG 171-3M-... |                          | 125        | 375          | 2,4   | 1,20           | 3,0   | PHG 375-3M-... |
|         | 58                       | 174          | 2,4   | 1,20  | 3,0            | PHG 174-3M-... |                          | 128        | 384          | 2,4   | 1,20           | 3,0   | PHG 384-3M-... |
|         | 59                       | 177          | 2,4   | 1,20  | 3,0            | PHG 177-3M-... |                          | 130        | 390          | 2,4   | 1,20           | 3,0   | PHG 390-3M-... |
|         | 60                       | 180          | 2,4   | 1,20  | 3,0            | PHG 180-3M-... |                          | 131        | 393          | 2,4   | 1,20           | 3,0   | PHG 393-3M-... |
|         | 61                       | 183          | 2,4   | 1,20  | 3,0            | PHG 183-3M-... |                          | 132        | 396          | 2,4   | 1,20           | 3,0   | PHG 396-3M-... |
|         | 62                       | 186          | 2,4   | 1,20  | 3,0            | PHG 186-3M-... |                          | 133        | 399          | 2,4   | 1,20           | 3,0   | PHG 399-3M-... |
|         | 63                       | 189          | 2,4   | 1,20  | 3,0            | PHG 189-3M-... |                          | 140        | 420          | 2,4   | 1,20           | 3,0   | PHG 420-3M-... |
|         | 64                       | 192          | 2,4   | 1,20  | 3,0            | PHG 192-3M-... |                          | 141        | 423          | 2,4   | 1,20           | 3,0   | PHG 423-3M-... |
|         | 65                       | 195          | 2,4   | 1,20  | 3,0            | PHG 195-3M-... |                          | 142        | 426          | 2,4   | 1,20           | 3,0   | PHG 426-3M-... |
|         | 66                       | 198          | 2,4   | 1,20  | 3,0            | PHG 198-3M-... |                          | 148        | 444          | 2,4   | 1,20           | 3,0   | PHG 444-3M-... |
|         | 67                       | 201          | 2,4   | 1,20  | 3,0            | PHG 201-3M-... |                          | 149        | 447          | 2,4   | 1,20           | 3,0   | PHG 447-3M-... |
|         | 68                       | 204          | 2,4   | 1,20  | 3,0            | PHG 204-3M-... |                          | 152        | 456          | 2,4   | 1,20           | 3,0   | PHG 456-3M-... |
|         | 69                       | 207          | 2,4   | 1,20  | 3,0            | PHG 207-3M-... |                          | 153        | 459          | 2,4   | 1,20           | 3,0   | PHG 459-3M-... |
|         | 70                       | 210          | 2,4   | 1,20  | 3,0            | PHG 210-3M-... |                          | 154        | 462          | 2,4   | 1,20           | 3,0   | PHG 462-3M-... |
|         | 71                       | 213          | 2,4   | 1,20  | 3,0            | PHG 213-3M-... |                          | 156        | 468          | 2,4   | 1,20           | 3,0   | PHG 468-3M-... |
|         | 74                       | 222          | 2,4   | 1,20  | 3,0            | PHG 222-3M-... |                          | 157        | 471          | 2,4   | 1,20           | 3,0   | PHG 471-3M-... |
|         | 75                       | 225          | 2,4   | 1,20  | 3,0            | PHG 225-3M-... |                          | 158        | 474          | 2,4   | 1,20           | 3,0   | PHG 474-3M-... |
|         | 76                       | 228          | 2,4   | 1,20  | 3,0            | PHG 228-3M-... |                          | 159        | 477          | 2,4   | 1,20           | 3,0   | PHG 477-3M-... |
|         | 78                       | 234          | 2,4   | 1,20  | 3,0            | PHG 234-3M-... |                          | 160        | 480          | 2,4   | 1,20           | 3,0   | PHG 480-3M-... |
|         | 79                       | 237          | 2,4   | 1,20  | 3,0            | PHG 237-3M-... |                          | 161        | 483          | 2,4   | 1,20           | 3,0   | PHG 483-3M-... |
|         | 80                       | 240          | 2,4   | 1,20  | 3,0            | PHG 240-3M-... |                          | 162        | 486          | 2,4   | 1,20           | 3,0   | PHG 486-3M-... |
|         | 82                       | 246          | 2,4   | 1,20  | 3,0            | PHG 246-3M-... |                          | 163        | 489          | 2,4   | 1,20           | 3,0   | PHG 489-3M-... |
|         | 83                       | 249          | 2,4   | 1,20  | 3,0            | PHG 249-3M-... |                          | 164        | 492          | 2,4   | 1,20           | 3,0   | PHG 492-3M-... |
|         | 84                       | 252          | 2,4   | 1,20  | 3,0            | PHG 252-3M-... |                          | 165        | 495          | 2,4   | 1,20           | 3,0   | PHG 495-3M-... |
|         | 85                       | 255          | 2,4   | 1,20  | 3,0            | PHG 255-3M-... |                          | 167        | 501          | 2,4   | 1,20           | 3,0   | PHG 501-3M-... |
| 86      | 258                      | 2,4          | 1,20  | 3,0   | PHG 258-3M-... | 169            | 507                      | 2,4        | 1,20         | 3,0   | PHG 507-3M-... |       |                |
| 87      | 261                      | 2,4          | 1,20  | 3,0   | PHG 261-3M-... | 170            | 510                      | 2,4        | 1,20         | 3,0   | PHG 510-3M-... |       |                |
| 88      | 264                      | 2,4          | 1,20  | 3,0   | PHG 264-3M-... | 171            | 513                      | 2,4        | 1,20         | 3,0   | PHG 513-3M-... |       |                |
| 89      | 267                      | 2,4          | 1,20  | 3,0   | PHG 267-3M-... | 173            | 519                      | 2,4        | 1,20         | 3,0   | PHG 519-3M-... |       |                |
| 90      | 270                      | 2,4          | 1,20  | 3,0   | PHG 270-3M-... | 174            | 522                      | 2,4        | 1,20         | 3,0   | PHG 522-3M-... |       |                |
| 92      | 276                      | 2,4          | 1,20  | 3,0   | PHG 276-3M-... | 177            | 531                      | 2,4        | 1,20         | 3,0   | PHG 531-3M-... |       |                |
| 94      | 282                      | 2,4          | 1,20  | 3,0   | PHG 282-3M-... | 179            | 537                      | 2,4        | 1,20         | 3,0   | PHG 537-3M-... |       |                |
| 95      | 285                      | 2,4          | 1,20  | 3,0   | PHG 285-3M-... | 180            | 540                      | 2,4        | 1,20         | 3,0   | PHG 540-3M-... |       |                |
| 96      | 288                      | 2,4          | 1,20  | 3,0   | PHG 288-3M-... | 186            | 558                      | 2,4        | 1,20         | 3,0   | PHG 558-3M-... |       |                |

Non-standard lengths may also be available.  
To complete designation add belt width in mm.  
Full sleeves are available in various widths. Please contact your SKF Authorized Distributor.



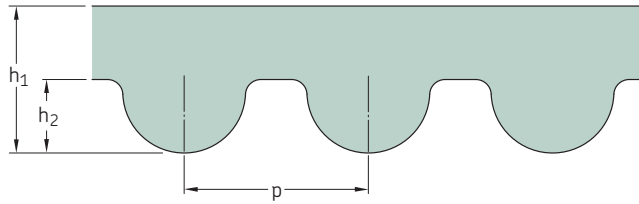
| Section | Number of teeth per side | Dimensions   |       |       | Designation     |                |
|---------|--------------------------|--------------|-------|-------|-----------------|----------------|
|         |                          | Pitch length | $h_1$ | $h_2$ |                 |                |
| -       | -                        | mm           |       |       | -               |                |
| 3M      | 188                      | 564          | 2,4   | 1,20  | 3,0             | PHG 564-3M-... |
|         | 190                      | 570          | 2,4   | 1,20  | 3,0             | PHG 570-3M-... |
|         | 191                      | 573          | 2,4   | 1,20  | 3,0             | PHG 573-3M-... |
|         | 192                      | 576          | 2,4   | 1,20  | 3,0             | PHG 576-3M-... |
|         | 193                      | 579          | 2,4   | 1,20  | 3,0             | PHG 579-3M-... |
|         | 194                      | 582          | 2,4   | 1,20  | 3,0             | PHG 582-3M-... |
|         | 197                      | 591          | 2,4   | 1,20  | 3,0             | PHG 591-3M-... |
|         | 199                      | 597          | 2,4   | 1,20  | 3,0             | PHG 597-3M-... |
|         | 200                      | 600          | 2,4   | 1,20  | 3,0             | PHG 600-3M-... |
|         | 202                      | 606          | 2,4   | 1,20  | 3,0             | PHG 606-3M-... |
|         | 203                      | 609          | 2,4   | 1,20  | 3,0             | PHG 609-3M-... |
|         | 204                      | 612          | 2,4   | 1,20  | 3,0             | PHG 612-3M-... |
|         | 210                      | 630          | 2,4   | 1,20  | 3,0             | PHG 630-3M-... |
|         | 211                      | 633          | 2,4   | 1,20  | 3,0             | PHG 633-3M-... |
|         | 213                      | 639          | 2,4   | 1,20  | 3,0             | PHG 639-3M-... |
|         | 216                      | 648          | 2,4   | 1,20  | 3,0             | PHG 648-3M-... |
|         | 218                      | 654          | 2,4   | 1,20  | 3,0             | PHG 654-3M-... |
|         | 219                      | 657          | 2,4   | 1,20  | 3,0             | PHG 657-3M-... |
|         | 223                      | 669          | 2,4   | 1,20  | 3,0             | PHG 669-3M-... |
|         | 225                      | 675          | 2,4   | 1,20  | 3,0             | PHG 675-3M-... |
|         | 228                      | 684          | 2,4   | 1,20  | 3,0             | PHG 684-3M-... |
|         | 233                      | 699          | 2,4   | 1,20  | 3,0             | PHG 699-3M-... |
|         | 233                      | 699          | 2,4   | 1,20  | 3,0             | PHG 699-3M-... |
|         | 236                      | 708          | 2,4   | 1,20  | 3,0             | PHG 708-3M-... |
|         | 237                      | 711          | 2,4   | 1,20  | 3,0             | PHG 711-3M-... |
|         | 240                      | 720          | 2,4   | 1,20  | 3,0             | PHG 720-3M-... |
|         | 250                      | 750          | 2,4   | 1,20  | 3,0             | PHG 750-3M-... |
|         | 251                      | 753          | 2,4   | 1,20  | 3,0             | PHG 753-3M-... |
|         | 267                      | 801          | 2,4   | 1,20  | 3,0             | PHG 801-3M-... |
|         | 268                      | 804          | 2,4   | 1,20  | 3,0             | PHG 804-3M-... |
|         | 271                      | 813          | 2,4   | 1,20  | 3,0             | PHG 813-3M-... |
|         | 274                      | 822          | 2,4   | 1,20  | 3,0             | PHG 822-3M-... |
|         | 281                      | 843          | 2,4   | 1,20  | 3,0             | PHG 843-3M-... |
| 295     | 885                      | 2,4          | 1,20  | 3,0   | PHG 885-3M-...  |                |
| 313     | 939                      | 2,4          | 1,20  | 3,0   | PHG 939-3M-...  |                |
| 323     | 969                      | 2,4          | 1,20  | 3,0   | PHG 969-3M-...  |                |
| 375     | 1 125                    | 2,4          | 1,20  | 3,0   | PHG 1125-3M-... |                |
| 403     | 1 209                    | 2,4          | 1,20  | 3,0   | PHG 1209-3M-... |                |
| 415     | 1 245                    | 2,4          | 1,20  | 3,0   | PHG 1245-3M-... |                |
| 421     | 1 263                    | 2,4          | 1,20  | 3,0   | PHG 1263-3M-... |                |
| 448     | 1 344                    | 2,4          | 1,20  | 3,0   | PHG 1344-3M-... |                |
| 467     | 1 401                    | 2,4          | 1,20  | 3,0   | PHG 1401-3M-... |                |
| 523     | 1 569                    | 2,4          | 1,20  | 3,0   | PHG 1569-3M-... |                |
| 529     | 1 587                    | 2,4          | 1,20  | 3,0   | PHG 1587-3M-... |                |
| 600     | 1 800                    | 2,4          | 1,20  | 3,0   | PHG 1800-3M-... |                |
| 650     | 1 950                    | 2,4          | 1,20  | 3,0   | PHG 1950-3M-... |                |
| 720     | 2 160                    | 2,4          | 1,20  | 3,0   | PHG 2160-3M-... |                |
| 796     | 2 388                    | 2,4          | 1,20  | 3,0   | PHG 2388-3M-... |                |
| 880     | 2 640                    | 2,4          | 1,20  | 3,0   | PHG 2640-3M-... |                |
| 1 000   | 3 000                    | 2,4          | 1,20  | 3,0   | PHG 3000-3M-... |                |
| 1 070   | 3 210                    | 2,4          | 1,20  | 3,0   | PHG 3210-3M-... |                |
| 1 130   | 3 390                    | 2,4          | 1,20  | 3,0   | PHG 3390-3M-... |                |
| 2 268   | 6 804                    | 2,4          | 1,20  | 3,0   | PHG 6804-3M-... |                |

| Section | Number of teeth per side | Dimensions   |       |       | Designation    |                |
|---------|--------------------------|--------------|-------|-------|----------------|----------------|
|         |                          | Pitch length | $h_1$ | $h_2$ |                |                |
| -       | -                        | mm           |       |       | -              |                |
| 5M      | 40                       | 200          | 3,6   | 2,10  | 5,0            | PHG 200-5M-... |
|         | 42                       | 210          | 3,6   | 2,10  | 5,0            | PHG 210-5M-... |
|         | 43                       | 215          | 3,6   | 2,10  | 5,0            | PHG 215-5M-... |
|         | 45                       | 225          | 3,6   | 2,10  | 5,0            | PHG 225-5M-... |
|         | 46                       | 230          | 3,6   | 2,10  | 5,0            | PHG 230-5M-... |
|         | 47                       | 235          | 3,6   | 2,10  | 5,0            | PHG 235-5M-... |
|         | 49                       | 245          | 3,6   | 2,10  | 5,0            | PHG 245-5M-... |
|         | 50                       | 250          | 3,6   | 2,10  | 5,0            | PHG 250-5M-... |
|         | 51                       | 255          | 3,6   | 2,10  | 5,0            | PHG 255-5M-... |
|         | 52                       | 260          | 3,6   | 2,10  | 5,0            | PHG 260-5M-... |
|         | 53                       | 265          | 3,6   | 2,10  | 5,0            | PHG 265-5M-... |
|         | 54                       | 270          | 3,6   | 2,10  | 5,0            | PHG 270-5M-... |
|         | 56                       | 280          | 3,6   | 2,10  | 5,0            | PHG 280-5M-... |
|         | 57                       | 285          | 3,6   | 2,10  | 5,0            | PHG 285-5M-... |
|         | 59                       | 295          | 3,6   | 2,10  | 5,0            | PHG 295-5M-... |
|         | 60                       | 300          | 3,6   | 2,10  | 5,0            | PHG 300-5M-... |
|         | 61                       | 305          | 3,6   | 2,10  | 5,0            | PHG 305-5M-... |
|         | 62                       | 310          | 3,6   | 2,10  | 5,0            | PHG 310-5M-... |
|         | 64                       | 320          | 3,6   | 2,10  | 5,0            | PHG 320-5M-... |
|         | 65                       | 325          | 3,6   | 2,10  | 5,0            | PHG 325-5M-... |
|         | 66                       | 330          | 3,6   | 2,10  | 5,0            | PHG 330-5M-... |
|         | 68                       | 340          | 3,6   | 2,10  | 5,0            | PHG 340-5M-... |
|         | 69                       | 345          | 3,6   | 2,10  | 5,0            | PHG 345-5M-... |
|         | 70                       | 350          | 3,6   | 2,10  | 5,0            | PHG 350-5M-... |
|         | 72                       | 360          | 3,6   | 2,10  | 5,0            | PHG 360-5M-... |
|         | 73                       | 365          | 3,6   | 2,10  | 5,0            | PHG 365-5M-... |
|         | 74                       | 370          | 3,6   | 2,10  | 5,0            | PHG 370-5M-... |
|         | 75                       | 375          | 3,6   | 2,10  | 5,0            | PHG 375-5M-... |
|         | 76                       | 380          | 3,6   | 2,10  | 5,0            | PHG 380-5M-... |
|         | 77                       | 385          | 3,6   | 2,10  | 5,0            | PHG 385-5M-... |
|         | 78                       | 390          | 3,6   | 2,10  | 5,0            | PHG 390-5M-... |
|         | 79                       | 395          | 3,6   | 2,10  | 5,0            | PHG 395-5M-... |
|         | 80                       | 400          | 3,6   | 2,10  | 5,0            | PHG 400-5M-... |
| 80      | 400                      | 3,6          | 2,10  | 5,0   | PHG 405-5M-... |                |
| 82      | 410                      | 3,6          | 2,10  | 5,0   | PHG 410-5M-... |                |
| 84      | 420                      | 3,6          | 2,10  | 5,0   | PHG 420-5M-... |                |
| 85      | 425                      | 3,6          | 2,10  | 5,0   | PHG 425-5M-... |                |
| 86      | 430                      | 3,6          | 2,10  | 5,0   | PHG 430-5M-... |                |
| 87      | 435                      | 3,6          | 2,10  | 5,0   | PHG 435-5M-... |                |
| 88      | 440                      | 3,6          | 2,10  | 5,0   | PHG 440-5M-... |                |
| 89      | 445                      | 3,6          | 2,10  | 5,0   | PHG 445-5M-... |                |
| 90      | 450                      | 3,6          | 2,10  | 5,0   | PHG 450-5M-... |                |
| 92      | 460                      | 3,6          | 2,10  | 5,0   | PHG 460-5M-... |                |
| 93      | 465                      | 3,6          | 2,10  | 5,0   | PHG 465-5M-... |                |
| 94      | 470                      | 3,6          | 2,10  | 5,0   | PHG 470-5M-... |                |
| 95      | 475                      | 3,6          | 2,10  | 5,0   | PHG 475-5M-... |                |
| 96      | 480                      | 3,6          | 2,10  | 5,0   | PHG 480-5M-... |                |
| 98      | 490                      | 3,6          | 2,10  | 5,0   | PHG 490-5M-... |                |
| 100     | 500                      | 3,6          | 2,10  | 5,0   | PHG 500-5M-... |                |
| 101     | 505                      | 3,6          | 2,10  | 5,0   | PHG 505-5M-... |                |
| 102     | 510                      | 3,6          | 2,10  | 5,0   | PHG 510-5M-... |                |
| 104     | 520                      | 3,6          | 2,10  | 5,0   | PHG 520-5M-... |                |
| 105     | 525                      | 3,6          | 2,10  | 5,0   | PHG 525-5M-... |                |
| 106     | 530                      | 3,6          | 2,10  | 5,0   | PHG 530-5M-... |                |
| 107     | 535                      | 3,6          | 2,10  | 5,0   | PHG 535-5M-... |                |

Non-standard lengths may also be available.  
 To complete designation add belt width in mm.  
 Full sleeves are available in various widths. Please contact your SKF Authorized Distributor.

| Section | Number of teeth per side | Dimensions   |       |       | Designation | Section         | Number of teeth per side | Dimensions |              |       | Designation |       |                 |                |
|---------|--------------------------|--------------|-------|-------|-------------|-----------------|--------------------------|------------|--------------|-------|-------------|-------|-----------------|----------------|
|         |                          | Pitch length | $h_1$ | $h_2$ |             |                 |                          | $p$        | Pitch length | $h_1$ |             | $h_2$ | $p$             |                |
| -       | -                        | mm           | -     | -     | -           | -               | mm                       | -          | -            | -     | -           |       |                 |                |
| 5M      | 108                      | 540          | 3,6   | 2,10  | 5,0         | PHG 540-5M-...  | 5M                       | 254        | 1 270        | 3,6   | 2,10        | 5,0   | PHG 1270-5M-... |                |
|         | 110                      | 550          | 3,6   | 2,10  | 5,0         | PHG 550-5M-...  |                          | 258        | 1 290        | 3,6   | 2,10        | 5,0   | PHG 1290-5M-... |                |
|         | 112                      | 560          | 3,6   | 2,10  | 5,0         | PHG 560-5M-...  |                          | 259        | 1 295        | 3,6   | 2,10        | 5,0   | PHG 1295-5M-... |                |
|         | 113                      | 565          | 3,6   | 2,10  | 5,0         | PHG 565-5M-...  |                          | 260        | 1 300        | 3,6   | 2,10        | 5,0   | PHG 1300-5M-... |                |
|         | 114                      | 570          | 3,6   | 2,10  | 5,0         | PHG 570-5M-...  |                          | 268        | 1 340        | 3,6   | 2,10        | 5,0   | PHG 1340-5M-... |                |
|         | 115                      | 575          | 3,6   | 2,10  | 5,0         | PHG 575-5M-...  |                          | 270        | 1 350        | 3,6   | 2,10        | 5,0   | PHG 1350-5M-... |                |
|         | 116                      | 580          | 3,6   | 2,10  | 5,0         | PHG 580-5M-...  |                          | 275        | 1 375        | 3,6   | 2,10        | 5,0   | PHG 1375-5M-... |                |
|         | 117                      | 585          | 3,6   | 2,10  | 5,0         | PHG 585-5M-...  |                          | 280        | 1 400        | 3,6   | 2,10        | 5,0   | PHG 1400-5M-... |                |
|         | 118                      | 590          | 3,6   | 2,10  | 5,0         | PHG 590-5M-...  |                          | 282        | 1 410        | 3,6   | 2,10        | 5,0   | PHG 1410-5M-... |                |
|         | 120                      | 600          | 3,6   | 2,10  | 5,0         | PHG 600-5M-...  |                          | 284        | 1 420        | 3,6   | 2,10        | 5,0   | PHG 1420-5M-... |                |
|         | 121                      | 605          | 3,6   | 2,10  | 5,0         | PHG 605-5M-...  |                          | 290        | 1 450        | 3,6   | 2,10        | 5,0   | PHG 1450-5M-... |                |
|         | 122                      | 610          | 3,6   | 2,10  | 5,0         | PHG 610-5M-...  |                          | 291        | 1 455        | 3,6   | 2,10        | 5,0   | PHG 1455-5M-... |                |
|         | 123                      | 615          | 3,6   | 2,10  | 5,0         | PHG 615-5M-...  |                          | 300        | 1 500        | 3,6   | 2,10        | 5,0   | PHG 1500-5M-... |                |
|         | 124                      | 620          | 3,6   | 2,10  | 5,0         | PHG 620-5M-...  |                          | 319        | 1 595        | 3,6   | 2,10        | 5,0   | PHG 1595-5M-... |                |
|         | 125                      | 625          | 3,6   | 2,10  | 5,0         | PHG 625-5M-...  |                          | 320        | 1 600        | 3,6   | 2,10        | 5,0   | PHG 1600-5M-... |                |
|         | 126                      | 630          | 3,6   | 2,10  | 5,0         | PHG 630-5M-...  |                          | 337        | 1 685        | 3,6   | 2,10        | 5,0   | PHG 1685-5M-... |                |
|         | 127                      | 635          | 3,6   | 2,10  | 5,0         | PHG 635-5M-...  |                          | 338        | 1 690        | 3,6   | 2,10        | 5,0   | PHG 1690-5M-... |                |
|         | 128                      | 640          | 3,6   | 2,10  | 5,0         | PHG 640-5M-...  |                          | 340        | 1 700        | 3,6   | 2,10        | 5,0   | PHG 1700-5M-... |                |
|         | 129                      | 645          | 3,6   | 2,10  | 5,0         | PHG 645-5M-...  |                          | 346        | 1 730        | 3,6   | 2,10        | 5,0   | PHG 1730-5M-... |                |
|         | 130                      | 650          | 3,6   | 2,10  | 5,0         | PHG 650-5M-...  |                          | 354        | 1 770        | 3,6   | 2,10        | 5,0   | PHG 1770-5M-... |                |
|         | 131                      | 655          | 3,6   | 2,10  | 5,0         | PHG 655-5M-...  |                          | 358        | 1 790        | 3,6   | 2,10        | 5,0   | PHG 1790-5M-... |                |
|         | 133                      | 665          | 3,6   | 2,10  | 5,0         | PHG 665-5M-...  |                          | 360        | 1 800        | 3,6   | 2,10        | 5,0   | PHG 1800-5M-... |                |
|         | 134                      | 670          | 3,6   | 2,10  | 5,0         | PHG 670-5M-...  |                          | 374        | 1 870        | 3,6   | 2,10        | 5,0   | PHG 1870-5M-... |                |
|         | 135                      | 675          | 3,6   | 2,10  | 5,0         | PHG 675-5M-...  |                          | 379        | 1 895        | 3,6   | 2,10        | 5,0   | PHG 1895-5M-... |                |
|         | 137                      | 685          | 3,6   | 2,10  | 5,0         | PHG 685-5M-...  |                          | 389        | 1 945        | 3,6   | 2,10        | 5,0   | PHG 1945-5M-... |                |
|         | 138                      | 690          | 3,6   | 2,10  | 5,0         | PHG 690-5M-...  |                          | 400        | 2 000        | 3,6   | 2,10        | 5,0   | PHG 2000-5M-... |                |
|         | 139                      | 695          | 3,6   | 2,10  | 5,0         | PHG 695-5M-...  |                          | 410        | 2 050        | 3,6   | 2,10        | 5,0   | PHG 2050-5M-... |                |
|         | 140                      | 700          | 3,6   | 2,10  | 5,0         | PHG 700-5M-...  |                          | 420        | 2 100        | 3,6   | 2,10        | 5,0   | PHG 2100-5M-... |                |
|         | 142                      | 710          | 3,6   | 2,10  | 5,0         | PHG 710-5M-...  |                          | 432        | 2 160        | 3,6   | 2,10        | 5,0   | PHG 2160-5M-... |                |
|         | 142                      | 710          | 3,6   | 2,10  | 5,0         | PHG 715-5M-...  |                          | 450        | 2 250        | 3,6   | 2,10        | 5,0   | PHG 2250-5M-... |                |
|         | 144                      | 720          | 3,6   | 2,10  | 5,0         | PHG 720-5M-...  |                          | 470        | 2 350        | 3,6   | 2,10        | 5,0   | PHG 2350-5M-... |                |
|         | 145                      | 725          | 3,6   | 2,10  | 5,0         | PHG 725-5M-...  |                          | 474        | 2 370        | 3,6   | 2,10        | 5,0   | PHG 2370-5M-... |                |
|         | 148                      | 740          | 3,6   | 2,10  | 5,0         | PHG 740-5M-...  |                          | 492        | 2 460        | 3,6   | 2,10        | 5,0   | PHG 2460-5M-... |                |
|         | 149                      | 745          | 3,6   | 2,10  | 5,0         | PHG 745-5M-...  |                          | 505        | 2 525        | 3,6   | 2,10        | 5,0   | PHG 2525-5M-... |                |
|         | 150                      | 750          | 3,6   | 2,10  | 5,0         | PHG 750-5M-...  |                          | 527        | 2 635        | 3,6   | 2,10        | 5,0   | PHG 2635-5M-... |                |
|         | 151                      | 755          | 3,6   | 2,10  | 5,0         | PHG 755-5M-...  |                          | 605        | 3 025        | 3,6   | 2,10        | 5,0   | PHG 3025-5M-... |                |
|         | 154                      | 770          | 3,6   | 2,10  | 5,0         | PHG 770-5M-...  |                          | 612        | 3 060        | 3,6   | 2,10        | 5,0   | PHG 3060-5M-... |                |
|         | 155                      | 775          | 3,6   | 2,10  | 5,0         | PHG 775-5M-...  |                          | 651        | 3 255        | 3,6   | 2,10        | 5,0   | PHG 3255-5M-... |                |
|         | 156                      | 780          | 3,6   | 2,10  | 5,0         | PHG 780-5M-...  |                          | 686        | 3 430        | 3,6   | 2,10        | 5,0   | PHG 3430-5M-... |                |
|         | 158                      | 790          | 3,6   | 2,10  | 5,0         | PHG 790-5M-...  |                          | 732        | 3 660        | 3,6   | 2,10        | 5,0   | PHG 3660-5M-... |                |
|         | 160                      | 800          | 3,6   | 2,10  | 5,0         | PHG 800-5M-...  |                          | 750        | 3 750        | 3,6   | 2,10        | 5,0   | PHG 3750-5M-... |                |
|         | 162                      | 810          | 3,6   | 2,10  | 5,0         | PHG 810-5M-...  |                          | 754        | 3 770        | 3,6   | 2,10        | 5,0   | PHG 3770-5M-... |                |
|         | 165                      | 825          | 3,6   | 2,10  | 5,0         | PHG 825-5M-...  |                          | 760        | 3 800        | 3,6   | 2,10        | 5,0   | PHG 3800-5M-... |                |
|         | 166                      | 830          | 3,6   | 2,10  | 5,0         | PHG 830-5M-...  |                          | 852        | 4 260        | 3,6   | 2,10        | 5,0   | PHG 4260-5M-... |                |
|         | 167                      | 835          | 3,6   | 2,10  | 5,0         | PHG 835-5M-...  |                          | 1 060      | 5 300        | 3,6   | 2,10        | 5,0   | PHG 5300-5M-... |                |
|         | 170                      | 850          | 3,6   | 2,10  | 5,0         | PHG 850-5M-...  |                          | 1 400      | 7 000        | 3,6   | 2,10        | 5,0   | PHG 7000-5M-... |                |
|         | 172                      | 860          | 3,6   | 2,10  | 5,0         | PHG 860-5M-...  |                          | 8M         | 23           | 184   | 5,6         | 3,88  | 8,0             | PHG 184-8M-... |
|         | 174                      | 870          | 3,6   | 2,10  | 5,0         | PHG 870-5M-...  |                          |            | 36           | 288   | 5,6         | 3,88  | 8,0             | PHG 288-8M-... |
|         | 178                      | 890          | 3,6   | 2,10  | 5,0         | PHG 890-5M-...  |                          |            | 40           | 320   | 5,6         | 3,88  | 8,0             | PHG 320-8M-... |
|         | 180                      | 900          | 3,6   | 2,10  | 5,0         | PHG 900-5M-...  |                          |            | 41           | 328   | 5,6         | 3,88  | 8,0             | PHG 328-8M-... |
|         | 182                      | 910          | 3,6   | 2,10  | 5,0         | PHG 910-5M-...  |                          |            | 42           | 336   | 5,6         | 3,88  | 8,0             | PHG 336-8M-... |
|         | 184                      | 920          | 3,6   | 2,10  | 5,0         | PHG 920-5M-...  |                          |            | 46           | 368   | 5,6         | 3,88  | 8,0             | PHG 368-8M-... |
|         | 185                      | 925          | 3,6   | 2,10  | 5,0         | PHG 925-5M-...  |                          |            | 47           | 376   | 5,6         | 3,88  | 8,0             | PHG 376-8M-... |
|         | 187                      | 935          | 3,6   | 2,10  | 5,0         | PHG 935-5M-...  |                          |            | 48           | 384   | 5,6         | 3,88  | 8,0             | PHG 384-8M-... |
|         | 188                      | 940          | 3,6   | 2,10  | 5,0         | PHG 940-5M-...  |                          |            | 50           | 400   | 5,6         | 3,88  | 8,0             | PHG 400-8M-... |
|         | 190                      | 950          | 3,6   | 2,10  | 5,0         | PHG 950-5M-...  |                          |            | 51           | 408   | 5,6         | 3,88  | 8,0             | PHG 408-8M-... |
|         | 192                      | 960          | 3,6   | 2,10  | 5,0         | PHG 960-5M-...  |                          |            | 52           | 416   | 5,6         | 3,88  | 8,0             | PHG 416-8M-... |
|         | 193                      | 965          | 3,6   | 2,10  | 5,0         | PHG 965-5M-...  |                          |            | 53           | 424   | 5,6         | 3,88  | 8,0             | PHG 424-8M-... |
|         | 195                      | 975          | 3,6   | 2,10  | 5,0         | PHG 975-5M-...  |                          |            | 55           | 440   | 5,6         | 3,88  | 8,0             | PHG 440-8M-... |
|         | 196                      | 980          | 3,6   | 2,10  | 5,0         | PHG 980-5M-...  |                          |            | 56           | 448   | 5,6         | 3,88  | 8,0             | PHG 448-8M-... |
|         | 200                      | 1 000        | 3,6   | 2,10  | 5,0         | PHG 1000-5M-... |                          |            | 59           | 472   | 5,6         | 3,88  | 8,0             | PHG 472-8M-... |
|         | 205                      | 1 025        | 3,6   | 2,10  | 5,0         | PHG 1025-5M-... |                          |            | 60           | 480   | 5,6         | 3,88  | 8,0             | PHG 480-8M-... |
|         | 207                      | 1 035        | 3,6   | 2,10  | 5,0         | PHG 1035-5M-... |                          |            | 64           | 512   | 5,6         | 3,88  | 8,0             | PHG 512-8M-... |
|         | 210                      | 1 050        | 3,6   | 2,10  | 5,0         | PHG 1050-5M-... |                          |            | 65           | 520   | 5,6         | 3,88  | 8,0             | PHG 520-8M-... |
|         | 220                      | 1 100        | 3,6   | 2,10  | 5,0         | PHG 1100-5M-... |                          |            | 67           | 536   | 5,6         | 3,88  | 8,0             | PHG 536-8M-... |
|         | 223                      | 1 115        | 3,6   | 2,10  | 5,0         | PHG 1115-5M-... |                          |            | 68           | 544   | 5,6         | 3,88  | 8,0             | PHG 544-8M-... |
|         | 225                      | 1 125        | 3,6   | 2,10  | 5,0         | PHG 1125-5M-... |                          |            | 70           | 560   | 5,6         | 3,88  | 8,0             | PHG 560-8M-... |
|         | 227                      | 1 135        | 3,6   | 2,10  | 5,0         | PHG 1135-5M-... |                          |            | 71           | 568   | 5,6         | 3,88  | 8,0             | PHG 568-8M-... |
|         | 229                      | 1 145        | 3,6   | 2,10  | 5,0         | PHG 1145-5M-... |                          |            | 72           | 576   | 5,6         | 3,88  | 8,0             | PHG 576-8M-... |
|         | 235                      | 1 175        | 3,6   | 2,10  | 5,0         | PHG 1175-5M-... |                          |            | 73           | 584   | 5,6         | 3,88  | 8,0             | PHG 584-8M-... |
|         | 236                      | 1 180        | 3,6   | 2,10  | 5,0         | PHG 1180-5M-... |                          |            | 74           | 592   | 5,6         | 3,88  | 8,0             | PHG 592-8M-... |
|         | 239                      | 1 195        | 3,6   | 2,10  | 5,0         | PHG 1195-5M-... |                          |            | 75           | 600   | 5,6         | 3,88  | 8,0             | PHG 600-8M-... |
|         | 240                      | 1 200        | 3,6   | 2,10  | 5,0         | PHG 1200-5M-... |                          |            | 76           | 608   | 5,6         | 3,88  | 8,0             | PHG 608-8M-... |
|         | 242                      | 1 210        | 3,6   | 2,10  | 5,0         | PHG 1210-5M-... |                          |            | 78           | 624   | 5,6         | 3,88  | 8,0             | PHG 624-8M-... |
|         | 245                      | 1 225        | 3,6   | 2,10  | 5,0         | PHG 1225-5M-... |                          |            | 79           | 632   | 5,6         | 3,88  | 8,0             | PHG 632-8M-... |
|         | 250                      | 1 250        | 3,6   | 2,10  | 5,0         | PHG 1250-5M-... |                          |            | 80           | 640   | 5,6         | 3,88  | 8,0             | PHG 640-8M-... |

Non-standard lengths may also be available.  
 To complete designation add belt width in mm.  
 Full sleeves are available in various widths. Please contact your SKF Authorized Distributor.



| Section | Number of teeth per side | Dimensions Pitch length | Dimensions |       |     | Designation     |
|---------|--------------------------|-------------------------|------------|-------|-----|-----------------|
|         |                          |                         | $h_1$      | $h_2$ | $p$ |                 |
|         |                          | mm                      |            |       |     |                 |
| 8M      | 81                       | 648                     | 5,6        | 3,88  | 8,0 | PHG 648-8M-...  |
|         | 82                       | 656                     | 5,6        | 3,88  | 8,0 | PHG 656-8M-...  |
|         | 85                       | 680                     | 5,6        | 3,88  | 8,0 | PHG 680-8M-...  |
|         | 86                       | 688                     | 5,6        | 3,88  | 8,0 | PHG 688-8M-...  |
|         | 87                       | 696                     | 5,6        | 3,88  | 8,0 | PHG 696-8M-...  |
|         | 89                       | 712                     | 5,6        | 3,88  | 8,0 | PHG 712-8M-...  |
|         | 90                       | 720                     | 5,6        | 3,88  | 8,0 | PHG 720-8M-...  |
|         | 91                       | 728                     | 5,6        | 3,88  | 8,0 | PHG 728-8M-...  |
|         | 92                       | 736                     | 5,6        | 3,88  | 8,0 | PHG 736-8M-...  |
|         | 95                       | 760                     | 5,6        | 3,88  | 8,0 | PHG 760-8M-...  |
|         | 97                       | 776                     | 5,6        | 3,88  | 8,0 | PHG 776-8M-...  |
|         | 98                       | 784                     | 5,6        | 3,88  | 8,0 | PHG 784-8M-...  |
|         | 99                       | 792                     | 5,6        | 3,88  | 8,0 | PHG 792-8M-...  |
|         | 100                      | 800                     | 5,6        | 3,88  | 8,0 | PHG 800-8M-...  |
|         | 102                      | 816                     | 5,6        | 3,88  | 8,0 | PHG 816-8M-...  |
|         | 103                      | 824                     | 5,6        | 3,88  | 8,0 | PHG 824-8M-...  |
|         | 105                      | 840                     | 5,6        | 3,88  | 8,0 | PHG 840-8M-...  |
|         | 106                      | 848                     | 5,6        | 3,88  | 8,0 | PHG 848-8M-...  |
|         | 107                      | 856                     | 5,6        | 3,88  | 8,0 | PHG 856-8M-...  |
|         | 108                      | 864                     | 5,6        | 3,88  | 8,0 | PHG 864-8M-...  |
|         | 109                      | 872                     | 5,6        | 3,88  | 8,0 | PHG 872-8M-...  |
|         | 110                      | 880                     | 5,6        | 3,88  | 8,0 | PHG 880-8M-...  |
|         | 112                      | 896                     | 5,6        | 3,88  | 8,0 | PHG 896-8M-...  |
|         | 114                      | 912                     | 5,6        | 3,88  | 8,0 | PHG 912-8M-...  |
|         | 115                      | 920                     | 5,6        | 3,88  | 8,0 | PHG 920-8M-...  |
|         | 116                      | 928                     | 5,6        | 3,88  | 8,0 | PHG 928-8M-...  |
|         | 117                      | 936                     | 5,6        | 3,88  | 8,0 | PHG 936-8M-...  |
|         | 118                      | 944                     | 5,6        | 3,88  | 8,0 | PHG 944-8M-...  |
|         | 119                      | 952                     | 5,6        | 3,88  | 8,0 | PHG 952-8M-...  |
|         | 120                      | 960                     | 5,6        | 3,88  | 8,0 | PHG 960-8M-...  |
|         | 121                      | 968                     | 5,6        | 3,88  | 8,0 | PHG 968-8M-...  |
|         | 122                      | 976                     | 5,6        | 3,88  | 8,0 | PHG 976-8M-...  |
|         | 125                      | 1 000                   | 5,6        | 3,88  | 8,0 | PHG 1000-8M-... |
|         | 127                      | 1 016                   | 5,6        | 3,88  | 8,0 | PHG 1016-8M-... |
|         | 128                      | 1 024                   | 5,6        | 3,88  | 8,0 | PHG 1024-8M-... |
|         | 130                      | 1 040                   | 5,6        | 3,88  | 8,0 | PHG 1040-8M-... |
|         | 132                      | 1 056                   | 5,6        | 3,88  | 8,0 | PHG 1056-8M-... |
|         | 133                      | 1 064                   | 5,6        | 3,88  | 8,0 | PHG 1064-8M-... |
|         | 135                      | 1 080                   | 5,6        | 3,88  | 8,0 | PHG 1080-8M-... |
|         | 138                      | 1 104                   | 5,6        | 3,88  | 8,0 | PHG 1104-8M-... |
|         | 139                      | 1 112                   | 5,6        | 3,88  | 8,0 | PHG 1112-8M-... |
|         | 140                      | 1 120                   | 5,6        | 3,88  | 8,0 | PHG 1120-8M-... |
|         | 141                      | 1 128                   | 5,6        | 3,88  | 8,0 | PHG 1128-8M-... |
|         | 142                      | 1 136                   | 5,6        | 3,88  | 8,0 | PHG 1136-8M-... |
|         | 144                      | 1 152                   | 5,6        | 3,88  | 8,0 | PHG 1152-8M-... |
|         | 145                      | 1 160                   | 5,6        | 3,88  | 8,0 | PHG 1160-8M-... |
|         | 146                      | 1 168                   | 5,6        | 3,88  | 8,0 | PHG 1168-8M-... |
|         | 148                      | 1 184                   | 5,6        | 3,88  | 8,0 | PHG 1184-8M-... |
|         | 149                      | 1 192                   | 5,6        | 3,88  | 8,0 | PHG 1192-8M-... |
|         | 150                      | 1 200                   | 5,6        | 3,88  | 8,0 | PHG 1200-8M-... |
|         | 151                      | 1 208                   | 5,6        | 3,88  | 8,0 | PHG 1208-8M-... |
|         | 152                      | 1 216                   | 5,6        | 3,88  | 8,0 | PHG 1216-8M-... |
|         | 153                      | 1 224                   | 5,6        | 3,88  | 8,0 | PHG 1224-8M-... |
|         | 155                      | 1 240                   | 5,6        | 3,88  | 8,0 | PHG 1240-8M-... |
|         | 156                      | 1 248                   | 5,6        | 3,88  | 8,0 | PHG 1248-8M-... |

| Section | Number of teeth per side | Dimensions Pitch length | Dimensions |       |     | Designation     |
|---------|--------------------------|-------------------------|------------|-------|-----|-----------------|
|         |                          |                         | $h_1$      | $h_2$ | $p$ |                 |
|         |                          | mm                      |            |       |     |                 |
| 8M      | 157                      | 1 256                   | 5,6        | 3,88  | 8,0 | PHG 1256-8M-... |
|         | 158                      | 1 264                   | 5,6        | 3,88  | 8,0 | PHG 1264-8M-... |
|         | 159                      | 1 272                   | 5,6        | 3,88  | 8,0 | PHG 1272-8M-... |
|         | 160                      | 1 280                   | 5,6        | 3,88  | 8,0 | PHG 1280-8M-... |
|         | 163                      | 1 304                   | 5,6        | 3,88  | 8,0 | PHG 1304-8M-... |
|         | 164                      | 1 312                   | 5,6        | 3,88  | 8,0 | PHG 1312-8M-... |
|         | 165                      | 1 320                   | 5,6        | 3,88  | 8,0 | PHG 1320-8M-... |
|         | 166                      | 1 328                   | 5,6        | 3,88  | 8,0 | PHG 1328-8M-... |
|         | 168                      | 1 344                   | 5,6        | 3,88  | 8,0 | PHG 1344-8M-... |
|         | 169                      | 1 352                   | 5,6        | 3,88  | 8,0 | PHG 1352-8M-... |
|         | 170                      | 1 360                   | 5,6        | 3,88  | 8,0 | PHG 1360-8M-... |
|         | 172                      | 1 376                   | 5,6        | 3,88  | 8,0 | PHG 1376-8M-... |
|         | 174                      | 1 392                   | 5,6        | 3,88  | 8,0 | PHG 1392-8M-... |
|         | 175                      | 1 400                   | 5,6        | 3,88  | 8,0 | PHG 1400-8M-... |
|         | 177                      | 1 416                   | 5,6        | 3,88  | 8,0 | PHG 1416-8M-... |
|         | 178                      | 1 424                   | 5,6        | 3,88  | 8,0 | PHG 1424-8M-... |
|         | 179                      | 1 432                   | 5,6        | 3,88  | 8,0 | PHG 1432-8M-... |
|         | 180                      | 1 440                   | 5,6        | 3,88  | 8,0 | PHG 1440-8M-... |
|         | 182                      | 1 456                   | 5,6        | 3,88  | 8,0 | PHG 1456-8M-... |
|         | 183                      | 1 464                   | 5,6        | 3,88  | 8,0 | PHG 1464-8M-... |
|         | 185                      | 1 480                   | 5,6        | 3,88  | 8,0 | PHG 1480-8M-... |
|         | 189                      | 1 512                   | 5,6        | 3,88  | 8,0 | PHG 1512-8M-... |
|         | 190                      | 1 520                   | 5,6        | 3,88  | 8,0 | PHG 1520-8M-... |
|         | 192                      | 1 536                   | 5,6        | 3,88  | 8,0 | PHG 1536-8M-... |
|         | 194                      | 1 552                   | 5,6        | 3,88  | 8,0 | PHG 1552-8M-... |
|         | 195                      | 1 560                   | 5,6        | 3,88  | 8,0 | PHG 1560-8M-... |
|         | 197                      | 1 576                   | 5,6        | 3,88  | 8,0 | PHG 1576-8M-... |
|         | 200                      | 1 600                   | 5,6        | 3,88  | 8,0 | PHG 1600-8M-... |
|         | 205                      | 1 640                   | 5,6        | 3,88  | 8,0 | PHG 1640-8M-... |
|         | 206                      | 1 648                   | 5,6        | 3,88  | 8,0 | PHG 1648-8M-... |
|         | 210                      | 1 680                   | 5,6        | 3,88  | 8,0 | PHG 1680-8M-... |
|         | 212                      | 1 696                   | 5,6        | 3,88  | 8,0 | PHG 1696-8M-... |
|         | 216                      | 1 728                   | 5,6        | 3,88  | 8,0 | PHG 1728-8M-... |
|         | 220                      | 1 760                   | 5,6        | 3,88  | 8,0 | PHG 1760-8M-... |
|         | 223                      | 1 784                   | 5,6        | 3,88  | 8,0 | PHG 1784-8M-... |
|         | 224                      | 1 792                   | 5,6        | 3,88  | 8,0 | PHG 1792-8M-... |
|         | 225                      | 1 800                   | 5,6        | 3,88  | 8,0 | PHG 1800-8M-... |
|         | 232                      | 1 856                   | 5,6        | 3,88  | 8,0 | PHG 1856-8M-... |
|         | 237                      | 1 896                   | 5,6        | 3,88  | 8,0 | PHG 1896-8M-... |
|         | 238                      | 1 904                   | 5,6        | 3,88  | 8,0 | PHG 1904-8M-... |
|         | 240                      | 1 920                   | 5,6        | 3,88  | 8,0 | PHG 1920-8M-... |
|         | 242                      | 1 936                   | 5,6        | 3,88  | 8,0 | PHG 1936-8M-... |
|         | 244                      | 1 952                   | 5,6        | 3,88  | 8,0 | PHG 1952-8M-... |
|         | 250                      | 2 000                   | 5,6        | 3,88  | 8,0 | PHG 2000-8M-... |
|         | 260                      | 2 080                   | 5,6        | 3,88  | 8,0 | PHG 2080-8M-... |
|         | 262                      | 2 096                   | 5,6        | 3,88  | 8,0 | PHG 2096-8M-... |
|         | 263                      | 2 104                   | 5,6        | 3,88  | 8,0 | PHG 2104-8M-... |
|         | 267                      | 2 136                   | 5,6        | 3,88  | 8,0 | PHG 2136-8M-... |
|         | 270                      | 2 160                   | 5,6        | 3,88  | 8,0 | PHG 2160-8M-... |
|         | 276                      | 2 208                   | 5,6        | 3,88  | 8,0 | PHG 2208-8M-... |
|         | 280                      | 2 240                   | 5,6        | 3,88  | 8,0 | PHG 2240-8M-... |
|         | 281                      | 2 248                   | 5,6        | 3,88  | 8,0 | PHG 2248-8M-... |
|         | 288                      | 2 304                   | 5,6        | 3,88  | 8,0 | PHG 2304-8M-... |
|         | 291                      | 2 328                   | 5,6        | 3,88  | 8,0 | PHG 2328-8M-... |
|         | 299                      | 2 392                   | 5,6        | 3,88  | 8,0 | PHG 2392-8M-... |

Non-standard lengths may also be available.  
 To complete designation add belt width in mm.  
 Full sleeves are available in various widths. Please contact your SKF Authorized Distributor.

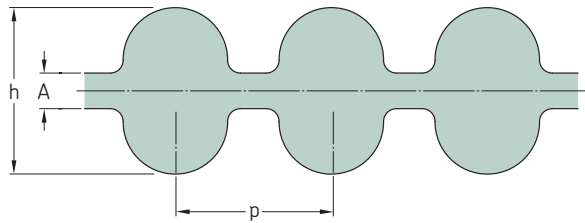


| Section | Number of teeth per side | Dimensions   |       |       | Designation | Section          | Number of teeth per side | Dimensions       |              |       | Designation |       |                  |  |
|---------|--------------------------|--------------|-------|-------|-------------|------------------|--------------------------|------------------|--------------|-------|-------------|-------|------------------|--|
|         |                          | Pitch length | $h_1$ | $h_2$ |             |                  |                          | $p$              | Pitch length | $h_1$ |             | $h_2$ | $p$              |  |
| -       | -                        | mm           |       |       | -           | -                | mm                       |                  |              | -     |             |       |                  |  |
| 8M      | 300                      | 2 400        | 5,6   | 3,88  | 8,0         | PHG 2400-8M-...  | 14M                      | 275              | 3 850        | 10,0  | 6,10        | 14,0  | PHG 3850-14M-... |  |
|         | 313                      | 2 504        | 5,6   | 3,88  | 8,0         | PHG 2504-8M-...  |                          | 309              | 4 326        | 10,0  | 6,10        | 14,0  | PHG 4326-14M-... |  |
|         | 323                      | 2 584        | 5,6   | 3,88  | 8,0         | PHG 2584-8M-...  |                          | 324              | 4 536        | 10,0  | 6,10        | 14,0  | PHG 4536-14M-... |  |
|         | 325                      | 2 600        | 5,6   | 3,88  | 8,0         | PHG 2600-8M-...  |                          | 327              | 4 578        | 10,0  | 6,10        | 14,0  | PHG 4578-14M-... |  |
|         | 332                      | 2 656        | 5,6   | 3,88  | 8,0         | PHG 2656-8M-...  |                          | 340              | 4 760        | 10,0  | 6,10        | 14,0  | PHG 4760-14M-... |  |
|         | 342                      | 2 736        | 5,6   | 3,88  | 8,0         | PHG 2736-8M-...  |                          | 354              | 4 956        | 10,0  | 6,10        | 14,0  | PHG 4956-14M-... |  |
|         | 350                      | 2 800        | 5,6   | 3,88  | 8,0         | PHG 2800-8M-...  |                          | 360              | 5 040        | 10,0  | 6,10        | 14,0  | PHG 5040-14M-... |  |
|         | 381                      | 3 048        | 5,6   | 3,88  | 8,0         | PHG 3048-8M-...  |                          | 380              | 5 320        | 10,0  | 6,10        | 14,0  | PHG 5320-14M-... |  |
|         | 390                      | 3 120        | 5,6   | 3,88  | 8,0         | PHG 3120-8M-...  |                          | 410              | 5 740        | 10,0  | 6,10        | 14,0  | PHG 5740-14M-... |  |
|         | 396                      | 3 168        | 5,6   | 3,88  | 8,0         | PHG 3168-8M-...  |                          | 424              | 5 936        | 10,0  | 6,10        | 14,0  | PHG 5936-14M-... |  |
|         | 400                      | 3 200        | 5,6   | 3,88  | 8,0         | PHG 3200-8M-...  |                          | 440              | 6 160        | 10,0  | 6,10        | 14,0  | PHG 6160-14M-... |  |
|         | 410                      | 3 280        | 5,6   | 3,88  | 8,0         | PHG 3280-8M-...  |                          | 490              | 6 860        | 10,0  | 6,10        | 14,0  | PHG 6860-14M-... |  |
|         | 425                      | 3 400        | 5,6   | 3,88  | 8,0         | PHG 3400-8M-...  |                          |                  |              |       |             |       |                  |  |
|         | 450                      | 3 600        | 5,6   | 3,88  | 8,0         | PHG 3600-8M-...  |                          |                  |              |       |             |       |                  |  |
|         | 465                      | 3 720        | 5,6   | 3,88  | 8,0         | PHG 3720-8M-...  |                          |                  |              |       |             |       |                  |  |
|         | 478                      | 3 824        | 5,6   | 3,88  | 8,0         | PHG 3824-8M-...  |                          |                  |              |       |             |       |                  |  |
|         | 483                      | 3 864        | 5,6   | 3,88  | 8,0         | PHG 3864-8M-...  |                          |                  |              |       |             |       |                  |  |
|         | 500                      | 4 000        | 5,6   | 3,88  | 8,0         | PHG 4000-8M-...  |                          |                  |              |       |             |       |                  |  |
|         | 525                      | 4 200        | 5,6   | 3,88  | 8,0         | PHG 4200-8M-...  |                          |                  |              |       |             |       |                  |  |
|         | 550                      | 4 400        | 5,6   | 3,88  | 8,0         | PHG 4400-8M-...  |                          |                  |              |       |             |       |                  |  |
|         | 640                      | 5 120        | 5,6   | 3,88  | 8,0         | PHG 5120-8M-...  |                          |                  |              |       |             |       |                  |  |
|         | 700                      | 5 600        | 5,6   | 3,88  | 8,0         | PHG 5600-8M-...  |                          |                  |              |       |             |       |                  |  |
|         | 745                      | 5 960        | 5,6   | 3,88  | 8,0         | PHG 5960-8M-...  |                          |                  |              |       |             |       |                  |  |
|         | 825                      | 6 600        | 5,6   | 3,88  | 8,0         | PHG 6600-8M-...  |                          |                  |              |       |             |       |                  |  |
|         | 860                      | 6 880        | 5,6   | 3,88  | 8,0         | PHG 6880-8M-...  |                          |                  |              |       |             |       |                  |  |
|         | 14M                      | 67           | 938   | 10,0  | 6,10        | 14,0             |                          | PHG 938-14M-...  |              |       |             |       |                  |  |
|         |                          | 69           | 966   | 10,0  | 6,10        | 14,0             |                          | PHG 966-14M-...  |              |       |             |       |                  |  |
|         |                          | 74           | 1 036 | 10,0  | 6,10        | 14,0             |                          | PHG 1036-14M-... |              |       |             |       |                  |  |
|         |                          | 75           | 1 050 | 10,0  | 6,10        | 14,0             |                          | PHG 1050-14M-... |              |       |             |       |                  |  |
|         |                          | 76           | 1 064 | 10,0  | 6,10        | 14,0             |                          | PHG 1064-14M-... |              |       |             |       |                  |  |
|         |                          | 78           | 1 092 | 10,0  | 6,10        | 14,0             |                          | PHG 1092-14M-... |              |       |             |       |                  |  |
|         |                          | 80           | 1 120 | 10,0  | 6,10        | 14,0             |                          | PHG 1120-14M-... |              |       |             |       |                  |  |
|         |                          | 82           | 1 148 | 10,0  | 6,10        | 14,0             |                          | PHG 1148-14M-... |              |       |             |       |                  |  |
|         |                          | 85           | 1 190 | 10,0  | 6,10        | 14,0             |                          | PHG 1190-14M-... |              |       |             |       |                  |  |
|         |                          | 89           | 1 246 | 10,0  | 6,10        | 14,0             |                          | PHG 1246-14M-... |              |       |             |       |                  |  |
|         |                          | 90           | 1 260 | 10,0  | 6,10        | 14,0             |                          | PHG 1260-14M-... |              |       |             |       |                  |  |
|         |                          | 92           | 1 288 | 10,0  | 6,10        | 14,0             |                          | PHG 1288-14M-... |              |       |             |       |                  |  |
|         |                          | 94           | 1 316 | 10,0  | 6,10        | 14,0             |                          | PHG 1316-14M-... |              |       |             |       |                  |  |
| 96      |                          | 1 344        | 10,0  | 6,10  | 14,0        | PHG 1344-14M-... |                          |                  |              |       |             |       |                  |  |
| 100     |                          | 1 400        | 10,0  | 6,10  | 14,0        | PHG 1400-14M-... |                          |                  |              |       |             |       |                  |  |
| 101     |                          | 1 414        | 10,0  | 6,10  | 14,0        | PHG 1414-14M-... |                          |                  |              |       |             |       |                  |  |
| 103     |                          | 1 442        | 10,0  | 6,10  | 14,0        | PHG 1442-14M-... |                          |                  |              |       |             |       |                  |  |
| 104     |                          | 1 456        | 10,0  | 6,10  | 14,0        | PHG 1456-14M-... |                          |                  |              |       |             |       |                  |  |
| 105     |                          | 1 470        | 10,0  | 6,10  | 14,0        | PHG 1470-14M-... |                          |                  |              |       |             |       |                  |  |
| 106     |                          | 1 484        | 10,0  | 6,10  | 14,0        | PHG 1484-14M-... |                          |                  |              |       |             |       |                  |  |
| 108     |                          | 1 512        | 10,0  | 6,10  | 14,0        | PHG 1512-14M-... |                          |                  |              |       |             |       |                  |  |
| 110     |                          | 1 540        | 10,0  | 6,10  | 14,0        | PHG 1540-14M-... |                          |                  |              |       |             |       |                  |  |
| 112     |                          | 1 568        | 10,0  | 6,10  | 14,0        | PHG 1568-14M-... |                          |                  |              |       |             |       |                  |  |
| 115     |                          | 1 610        | 10,0  | 6,10  | 14,0        | PHG 1610-14M-... |                          |                  |              |       |             |       |                  |  |
| 118     |                          | 1 652        | 10,0  | 6,10  | 14,0        | PHG 1652-14M-... |                          |                  |              |       |             |       |                  |  |
| 125     |                          | 1 750        | 10,0  | 6,10  | 14,0        | PHG 1750-14M-... |                          |                  |              |       |             |       |                  |  |
| 126     |                          | 1 764        | 10,0  | 6,10  | 14,0        | PHG 1764-14M-... |                          |                  |              |       |             |       |                  |  |
| 127     |                          | 1 778        | 10,0  | 6,10  | 14,0        | PHG 1778-14M-... |                          |                  |              |       |             |       |                  |  |
| 128     |                          | 1 792        | 10,0  | 6,10  | 14,0        | PHG 1792-14M-... |                          |                  |              |       |             |       |                  |  |
| 128     |                          | 1 792        | 10,0  | 6,10  | 14,0        | PHG 1792-14M-... |                          |                  |              |       |             |       |                  |  |
| 129     |                          | 1 806        | 10,0  | 6,10  | 14,0        | PHG 1806-14M-... |                          |                  |              |       |             |       |                  |  |
| 130     |                          | 1 820        | 10,0  | 6,10  | 14,0        | PHG 1820-14M-... |                          |                  |              |       |             |       |                  |  |
| 135     |                          | 1 890        | 10,0  | 6,10  | 14,0        | PHG 1890-14M-... |                          |                  |              |       |             |       |                  |  |
| 138     |                          | 1 932        | 10,0  | 6,10  | 14,0        | PHG 1932-14M-... |                          |                  |              |       |             |       |                  |  |
| 139     |                          | 1 946        | 10,0  | 6,10  | 14,0        | PHG 1946-14M-... |                          |                  |              |       |             |       |                  |  |
| 140     |                          | 1 960        | 10,0  | 6,10  | 14,0        | PHG 1960-14M-... |                          |                  |              |       |             |       |                  |  |
| 143     |                          | 2 002        | 10,0  | 6,10  | 14,0        | PHG 2002-14M-... |                          |                  |              |       |             |       |                  |  |
| 150     |                          | 2 100        | 10,0  | 6,10  | 14,0        | PHG 2100-14M-... |                          |                  |              |       |             |       |                  |  |
| 160     |                          | 2 240        | 10,0  | 6,10  | 14,0        | PHG 2240-14M-... |                          |                  |              |       |             |       |                  |  |
| 165     |                          | 2 310        | 10,0  | 6,10  | 14,0        | PHG 2310-14M-... |                          |                  |              |       |             |       |                  |  |
| 175     |                          | 2 450        | 10,0  | 6,10  | 14,0        | PHG 2450-14M-... |                          |                  |              |       |             |       |                  |  |
| 175     |                          | 2 450        | 10,0  | 6,10  | 14,0        | PHG 2450-14M-... |                          |                  |              |       |             |       |                  |  |
| 185     |                          | 2 590        | 10,0  | 6,10  | 14,0        | PHG 2590-14M-... |                          |                  |              |       |             |       |                  |  |
| 190     |                          | 2 660        | 10,0  | 6,10  | 14,0        | PHG 2660-14M-... |                          |                  |              |       |             |       |                  |  |
| 200     |                          | 2 800        | 10,0  | 6,10  | 14,0        | PHG 2800-14M-... |                          |                  |              |       |             |       |                  |  |
| 222     |                          | 3 108        | 10,0  | 6,10  | 14,0        | PHG 3108-14M-... |                          |                  |              |       |             |       |                  |  |
| 225     |                          | 3 150        | 10,0  | 6,10  | 14,0        | PHG 3150-14M-... |                          |                  |              |       |             |       |                  |  |
| 236     |                          | 3 304        | 10,0  | 6,10  | 14,0        | PHG 3304-14M-... |                          |                  |              |       |             |       |                  |  |
| 240     |                          | 3 360        | 10,0  | 6,10  | 14,0        | PHG 3360-14M-... |                          |                  |              |       |             |       |                  |  |
| 250     |                          | 3 500        | 10,0  | 6,10  | 14,0        | PHG 3500-14M-... |                          |                  |              |       |             |       |                  |  |
| 262     |                          | 3 668        | 10,0  | 6,10  | 14,0        | PHG 3668-14M-... |                          |                  |              |       |             |       |                  |  |

Non-standard lengths may also be available.  
 To complete designation add belt width in mm.  
 Full sleeves are available in various widths. Please contact your SKF Authorized Distributor.

SKF Double-sided HiTD Belts

D-5M | D-8M



| Section | Number of teeth per side | Dimensions Pitch length | Dimensions |     |     | Designation       |
|---------|--------------------------|-------------------------|------------|-----|-----|-------------------|
|         |                          |                         | h          | A   | p   |                   |
| -       |                          | mm                      | -          |     |     | -                 |
| D-5M    | 100                      | 500                     | 5,3        | 1,1 | 5,0 | PHG DA-500-5M-... |
|         | 101                      | 505                     | 5,3        | 1,1 | 5,0 | PHG DA-505-5M-... |
|         | 104                      | 520                     | 5,3        | 1,1 | 5,0 | PHG DA-520-5M-... |
|         | 105                      | 525                     | 5,3        | 1,1 | 5,0 | PHG DA-525-5M-... |
|         | 106                      | 530                     | 5,3        | 1,1 | 5,0 | PHG DA-530-5M-... |
|         | 107                      | 535                     | 5,3        | 1,1 | 5,0 | PHG DA-535-5M-... |
|         | 108                      | 540                     | 5,3        | 1,1 | 5,0 | PHG DA-540-5M-... |
|         | 110                      | 550                     | 5,3        | 1,1 | 5,0 | PHG DA-550-5M-... |
|         | 112                      | 560                     | 5,3        | 1,1 | 5,0 | PHG DA-560-5M-... |
|         | 113                      | 565                     | 5,3        | 1,1 | 5,0 | PHG DA-565-5M-... |
|         | 114                      | 570                     | 5,3        | 1,1 | 5,0 | PHG DA-570-5M-... |
|         | 115                      | 575                     | 5,3        | 1,1 | 5,0 | PHG DA-575-5M-... |
|         | 116                      | 580                     | 5,3        | 1,1 | 5,0 | PHG DA-580-5M-... |
|         | 117                      | 585                     | 5,3        | 1,1 | 5,0 | PHG DA-585-5M-... |
|         | 118                      | 590                     | 5,3        | 1,1 | 5,0 | PHG DA-590-5M-... |
|         | 120                      | 600                     | 5,3        | 1,1 | 5,0 | PHG DA-600-5M-... |
|         | 121                      | 605                     | 5,3        | 1,1 | 5,0 | PHG DA-605-5M-... |
|         | 122                      | 610                     | 5,3        | 1,1 | 5,0 | PHG DA-610-5M-... |
|         | 123                      | 615                     | 5,3        | 1,1 | 5,0 | PHG DA-615-5M-... |
|         | 124                      | 620                     | 5,3        | 1,1 | 5,0 | PHG DA-620-5M-... |
|         | 125                      | 625                     | 5,3        | 1,1 | 5,0 | PHG DA-625-5M-... |
|         | 126                      | 630                     | 5,3        | 1,1 | 5,0 | PHG DA-630-5M-... |
|         | 127                      | 635                     | 5,3        | 1,1 | 5,0 | PHG DA-635-5M-... |
|         | 128                      | 640                     | 5,3        | 1,1 | 5,0 | PHG DA-640-5M-... |
|         | 129                      | 645                     | 5,3        | 1,1 | 5,0 | PHG DA-645-5M-... |
|         | 130                      | 650                     | 5,3        | 1,1 | 5,0 | PHG DA-650-5M-... |
|         | 131                      | 655                     | 5,3        | 1,1 | 5,0 | PHG DA-655-5M-... |
|         | 134                      | 670                     | 5,3        | 1,1 | 5,0 | PHG DA-670-5M-... |
|         | 135                      | 675                     | 5,3        | 1,1 | 5,0 | PHG DA-675-5M-... |
|         | 137                      | 685                     | 5,3        | 1,1 | 5,0 | PHG DA-685-5M-... |
|         | 138                      | 690                     | 5,3        | 1,1 | 5,0 | PHG DA-690-5M-... |
|         | 139                      | 695                     | 5,3        | 1,1 | 5,0 | PHG DA-695-5M-... |
|         | 140                      | 700                     | 5,3        | 1,1 | 5,0 | PHG DA-700-5M-... |
|         | 142                      | 710                     | 5,3        | 1,1 | 5,0 | PHG DA-715-5M-... |
|         | 142                      | 710                     | 5,3        | 1,1 | 5,0 | PHG DA-710-5M-... |
|         | 144                      | 720                     | 5,3        | 1,1 | 5,0 | PHG DA-720-5M-... |
|         | 145                      | 725                     | 5,3        | 1,1 | 5,0 | PHG DA-725-5M-... |
|         | 148                      | 740                     | 5,3        | 1,1 | 5,0 | PHG DA-740-5M-... |
|         | 149                      | 745                     | 5,3        | 1,1 | 5,0 | PHG DA-745-5M-... |
|         | 150                      | 750                     | 5,3        | 1,1 | 5,0 | PHG DA-750-5M-... |
|         | 151                      | 755                     | 5,3        | 1,1 | 5,0 | PHG DA-755-5M-... |
|         | 154                      | 770                     | 5,3        | 1,1 | 5,0 | PHG DA-770-5M-... |
|         | 155                      | 775                     | 5,3        | 1,1 | 5,0 | PHG DA-775-5M-... |
|         | 156                      | 780                     | 5,3        | 1,1 | 5,0 | PHG DA-780-5M-... |
|         | 158                      | 790                     | 5,3        | 1,1 | 5,0 | PHG DA-790-5M-... |
|         | 160                      | 800                     | 5,3        | 1,1 | 5,0 | PHG DA-800-5M-... |
|         | 162                      | 810                     | 5,3        | 1,1 | 5,0 | PHG DA-810-5M-... |
|         | 165                      | 825                     | 5,3        | 1,1 | 5,0 | PHG DA-825-5M-... |
|         | 166                      | 830                     | 5,3        | 1,1 | 5,0 | PHG DA-830-5M-... |
|         | 167                      | 835                     | 5,3        | 1,1 | 5,0 | PHG DA-835-5M-... |
|         | 170                      | 850                     | 5,3        | 1,1 | 5,0 | PHG DA-850-5M-... |
|         | 172                      | 860                     | 5,3        | 1,1 | 5,0 | PHG DA-860-5M-... |
|         | 174                      | 870                     | 5,3        | 1,1 | 5,0 | PHG DA-870-5M-... |
|         | 178                      | 890                     | 5,3        | 1,1 | 5,0 | PHG DA-890-5M-... |
|         | 180                      | 900                     | 5,3        | 1,1 | 5,0 | PHG DA-900-5M-... |

| Section | Number of teeth per side | Dimensions Pitch length | Dimensions |     |     | Designation        |
|---------|--------------------------|-------------------------|------------|-----|-----|--------------------|
|         |                          |                         | h          | A   | p   |                    |
| -       |                          | mm                      | -          |     |     | -                  |
| D-5M    | 182                      | 910                     | 5,3        | 1,1 | 5,0 | PHG DA-910-5M-...  |
|         | 184                      | 920                     | 5,3        | 1,1 | 5,0 | PHG DA-920-5M-...  |
|         | 185                      | 925                     | 5,3        | 1,1 | 5,0 | PHG DA-925-5M-...  |
|         | 187                      | 935                     | 5,3        | 1,1 | 5,0 | PHG DA-935-5M-...  |
|         | 188                      | 940                     | 5,3        | 1,1 | 5,0 | PHG DA-940-5M-...  |
|         | 190                      | 950                     | 5,3        | 1,1 | 5,0 | PHG DA-950-5M-...  |
|         | 192                      | 960                     | 5,3        | 1,1 | 5,0 | PHG DA-960-5M-...  |
|         | 193                      | 965                     | 5,3        | 1,1 | 5,0 | PHG DA-965-5M-...  |
|         | 195                      | 975                     | 5,3        | 1,1 | 5,0 | PHG DA-975-5M-...  |
|         | 196                      | 980                     | 5,3        | 1,1 | 5,0 | PHG DA-980-5M-...  |
|         | 200                      | 1 000                   | 5,3        | 1,1 | 5,0 | PHG DA-1000-5M-... |
|         | 205                      | 1 025                   | 5,3        | 1,1 | 5,0 | PHG DA-1025-5M-... |
|         | 207                      | 1 035                   | 5,3        | 1,1 | 5,0 | PHG DA-1035-5M-... |
|         | 210                      | 1 050                   | 5,3        | 1,1 | 5,0 | PHG DA-1050-5M-... |
|         | 220                      | 1 100                   | 5,3        | 1,1 | 5,0 | PHG DA-1100-5M-... |
|         | 223                      | 1 115                   | 5,3        | 1,1 | 5,0 | PHG DA-1115-5M-... |
|         | 225                      | 1 125                   | 5,3        | 1,1 | 5,0 | PHG DA-1125-5M-... |
|         | 227                      | 1 135                   | 5,3        | 1,1 | 5,0 | PHG DA-1135-5M-... |
|         | 229                      | 1 145                   | 5,3        | 1,1 | 5,0 | PHG DA-1145-5M-... |
|         | 235                      | 1 175                   | 5,3        | 1,1 | 5,0 | PHG DA-1175-5M-... |
|         | 236                      | 1 180                   | 5,3        | 1,1 | 5,0 | PHG DA-1180-5M-... |
|         | 239                      | 1 195                   | 5,3        | 1,1 | 5,0 | PHG DA-1195-5M-... |
|         | 240                      | 1 200                   | 5,3        | 1,1 | 5,0 | PHG DA-1200-5M-... |
|         | 242                      | 1 210                   | 5,3        | 1,1 | 5,0 | PHG DA-1210-5M-... |
|         | 245                      | 1 225                   | 5,3        | 1,1 | 5,0 | PHG DA-1225-5M-... |
|         | 250                      | 1 250                   | 5,3        | 1,1 | 5,0 | PHG DA-1250-5M-... |
|         | 254                      | 1 270                   | 5,3        | 1,1 | 5,0 | PHG DA-1270-5M-... |
|         | 258                      | 1 290                   | 5,3        | 1,1 | 5,0 | PHG DA-1290-5M-... |
|         | 259                      | 1 295                   | 5,3        | 1,1 | 5,0 | PHG DA-1295-5M-... |
|         | 260                      | 1 300                   | 5,3        | 1,1 | 5,0 | PHG DA-1300-5M-... |
|         | 268                      | 1 340                   | 5,3        | 1,1 | 5,0 | PHG DA-1340-5M-... |
|         | 270                      | 1 350                   | 5,3        | 1,1 | 5,0 | PHG DA-1350-5M-... |
|         | 275                      | 1 375                   | 5,3        | 1,1 | 5,0 | PHG DA-1375-5M-... |
|         | 280                      | 1 400                   | 5,3        | 1,1 | 5,0 | PHG DA-1400-5M-... |
|         | 282                      | 1 410                   | 5,3        | 1,1 | 5,0 | PHG DA-1410-5M-... |
|         | 284                      | 1 420                   | 5,3        | 1,1 | 5,0 | PHG DA-1420-5M-... |
|         | 290                      | 1 450                   | 5,3        | 1,1 | 5,0 | PHG DA-1450-5M-... |
|         | 291                      | 1 455                   | 5,3        | 1,1 | 5,0 | PHG DA-1455-5M-... |
|         | 300                      | 1 500                   | 5,3        | 1,1 | 5,0 | PHG DA-1500-5M-... |
|         | 319                      | 1 595                   | 5,3        | 1,1 | 5,0 | PHG DA-1595-5M-... |
|         | 320                      | 1 600                   | 5,3        | 1,1 | 5,0 | PHG DA-1600-5M-... |
|         | 337                      | 1 685                   | 5,3        | 1,1 | 5,0 | PHG DA-1685-5M-... |
|         | 338                      | 1 690                   | 5,3        | 1,1 | 5,0 | PHG DA-1690-5M-... |
| D-8M    | 64                       | 512                     | 8,2        | 1,4 | 8,0 | PHG DA-512-8M-...  |
|         | 65                       | 520                     | 8,2        | 1,4 | 8,0 | PHG DA-520-8M-...  |
|         | 67                       | 536                     | 8,2        | 1,4 | 8,0 | PHG DA-536-8M-...  |
|         | 68                       | 544                     | 8,2        | 1,4 | 8,0 | PHG DA-544-8M-...  |
|         | 70                       | 560                     | 8,2        | 1,4 | 8,0 | PHG DA-560-8M-...  |
|         | 71                       | 568                     | 8,2        | 1,4 | 8,0 | PHG DA-568-8M-...  |
|         | 72                       | 576                     | 8,2        | 1,4 | 8,0 | PHG DA-576-8M-...  |
|         | 73                       | 584                     | 8,2        | 1,4 | 8,0 | PHG DA-584-8M-...  |
|         | 74                       | 592                     | 8,2        | 1,4 | 8,0 | PHG DA-592-8M-...  |
|         | 75                       | 600                     | 8,2        | 1,4 | 8,0 | PHG DA-600-8M-...  |
|         | 76                       | 608                     | 8,2        | 1,4 | 8,0 | PHG DA-608-8M-...  |

Non-standard lengths may also be available.  
 To complete designation add belt width in mm.  
 Double-sided HiTD belts are available in symmetric (DA) only.  
 Full sleeves are available in various widths. Please contact your SKF Authorized Distributor.

# SKF Double-sided HiTD Belts

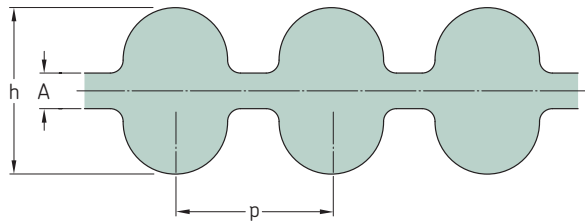
D-8M | D-14M

| Section | Number of teeth per side | Dimensions   |     |     | Designation | Section            | Number of teeth per side | Dimensions |              |       | Designation |      |                     |                     |
|---------|--------------------------|--------------|-----|-----|-------------|--------------------|--------------------------|------------|--------------|-------|-------------|------|---------------------|---------------------|
|         |                          | Pitch length | h   | A   |             |                    |                          | p          | Pitch length | h     |             | A    | p                   |                     |
| -       | -                        | mm           | -   | -   | -           | -                  | mm                       | -          | -            | -     | -           |      |                     |                     |
| D-8M    | 78                       | 624          | 8,2 | 1,4 | 8,0         | PHG DA-624-8M-...  | D-8M                     | 180        | 1 440        | 8,2   | 1,4         | 8,0  | PHG DA-1440-8M-...  |                     |
|         | 79                       | 632          | 8,2 | 1,4 | 8,0         | PHG DA-632-8M-...  |                          | 182        | 1 456        | 8,2   | 1,4         | 8,0  | PHG DA-1456-8M-...  |                     |
|         | 80                       | 640          | 8,2 | 1,4 | 8,0         | PHG DA-640-8M-...  |                          | 183        | 1 464        | 8,2   | 1,4         | 8,0  | PHG DA-1464-8M-...  |                     |
|         | 81                       | 648          | 8,2 | 1,4 | 8,0         | PHG DA-648-8M-...  |                          | 185        | 1 480        | 8,2   | 1,4         | 8,0  | PHG DA-1480-8M-...  |                     |
|         | 82                       | 656          | 8,2 | 1,4 | 8,0         | PHG DA-656-8M-...  |                          | 189        | 1 512        | 8,2   | 1,4         | 8,0  | PHG DA-1512-8M-...  |                     |
|         | 85                       | 680          | 8,2 | 1,4 | 8,0         | PHG DA-680-8M-...  |                          | 190        | 1 520        | 8,2   | 1,4         | 8,0  | PHG DA-1520-8M-...  |                     |
|         | 86                       | 688          | 8,2 | 1,4 | 8,0         | PHG DA-688-8M-...  |                          | 192        | 1 536        | 8,2   | 1,4         | 8,0  | PHG DA-1536-8M-...  |                     |
|         | 87                       | 696          | 8,2 | 1,4 | 8,0         | PHG DA-696-8M-...  |                          | 194        | 1 552        | 8,2   | 1,4         | 8,0  | PHG DA-1552-8M-...  |                     |
|         | 89                       | 712          | 8,2 | 1,4 | 8,0         | PHG DA-712-8M-...  |                          | 195        | 1 560        | 8,2   | 1,4         | 8,0  | PHG DA-1560-8M-...  |                     |
|         | 90                       | 720          | 8,2 | 1,4 | 8,0         | PHG DA-720-8M-...  |                          | 197        | 1 576        | 8,2   | 1,4         | 8,0  | PHG DA-1576-8M-...  |                     |
|         | 91                       | 728          | 8,2 | 1,4 | 8,0         | PHG DA-728-8M-...  |                          | 200        | 1 600        | 8,2   | 1,4         | 8,0  | PHG DA-1600-8M-...  |                     |
|         | 92                       | 736          | 8,2 | 1,4 | 8,0         | PHG DA-736-8M-...  |                          | 205        | 1 640        | 8,2   | 1,4         | 8,0  | PHG DA-1640-8M-...  |                     |
|         | 95                       | 760          | 8,2 | 1,4 | 8,0         | PHG DA-760-8M-...  |                          | 206        | 1 648        | 8,2   | 1,4         | 8,0  | PHG DA-1648-8M-...  |                     |
|         | 97                       | 776          | 8,2 | 1,4 | 8,0         | PHG DA-776-8M-...  |                          | 210        | 1 680        | 8,2   | 1,4         | 8,0  | PHG DA-1680-8M-...  |                     |
|         | 98                       | 784          | 8,2 | 1,4 | 8,0         | PHG DA-784-8M-...  |                          | 212        | 1 696        | 8,2   | 1,4         | 8,0  | PHG DA-1696-8M-...  |                     |
|         | 99                       | 792          | 8,2 | 1,4 | 8,0         | PHG DA-792-8M-...  |                          | 216        | 1 728        | 8,2   | 1,4         | 8,0  | PHG DA-1728-8M-...  |                     |
|         | 100                      | 800          | 8,2 | 1,4 | 8,0         | PHG DA-800-8M-...  |                          | 220        | 1 760        | 8,2   | 1,4         | 8,0  | PHG DA-1760-8M-...  |                     |
|         | 102                      | 816          | 8,2 | 1,4 | 8,0         | PHG DA-816-8M-...  |                          | 223        | 1 784        | 8,2   | 1,4         | 8,0  | PHG DA-1784-8M-...  |                     |
|         | 103                      | 824          | 8,2 | 1,4 | 8,0         | PHG DA-824-8M-...  |                          | 224        | 1 792        | 8,2   | 1,4         | 8,0  | PHG DA-1792-8M-...  |                     |
|         | 105                      | 840          | 8,2 | 1,4 | 8,0         | PHG DA-840-8M-...  |                          | 225        | 1 800        | 8,2   | 1,4         | 8,0  | PHG DA-1800-8M-...  |                     |
|         | 106                      | 848          | 8,2 | 1,4 | 8,0         | PHG DA-848-8M-...  |                          | 232        | 1 856        | 8,2   | 1,4         | 8,0  | PHG DA-1856-8M-...  |                     |
|         | 107                      | 856          | 8,2 | 1,4 | 8,0         | PHG DA-856-8M-...  |                          | 237        | 1 896        | 8,2   | 1,4         | 8,0  | PHG DA-1896-8M-...  |                     |
|         | 108                      | 864          | 8,2 | 1,4 | 8,0         | PHG DA-864-8M-...  |                          | 238        | 1 904        | 8,2   | 1,4         | 8,0  | PHG DA-1904-8M-...  |                     |
|         | 109                      | 872          | 8,2 | 1,4 | 8,0         | PHG DA-872-8M-...  |                          | 240        | 1 920        | 8,2   | 1,4         | 8,0  | PHG DA-1920-8M-...  |                     |
|         | 110                      | 880          | 8,2 | 1,4 | 8,0         | PHG DA-880-8M-...  |                          | 242        | 1 936        | 8,2   | 1,4         | 8,0  | PHG DA-1936-8M-...  |                     |
|         | 112                      | 896          | 8,2 | 1,4 | 8,0         | PHG DA-896-8M-...  |                          | 244        | 1 952        | 8,2   | 1,4         | 8,0  | PHG DA-1952-8M-...  |                     |
|         | 114                      | 912          | 8,2 | 1,4 | 8,0         | PHG DA-912-8M-...  |                          | 250        | 2 000        | 8,2   | 1,4         | 8,0  | PHG DA-2000-8M-...  |                     |
|         | 115                      | 920          | 8,2 | 1,4 | 8,0         | PHG DA-920-8M-...  |                          | 260        | 2 080        | 8,2   | 1,4         | 8,0  | PHG DA-2080-8M-...  |                     |
|         | 116                      | 928          | 8,2 | 1,4 | 8,0         | PHG DA-928-8M-...  |                          | 262        | 2 096        | 8,2   | 1,4         | 8,0  | PHG DA-2096-8M-...  |                     |
|         | 117                      | 936          | 8,2 | 1,4 | 8,0         | PHG DA-936-8M-...  |                          | 263        | 2 104        | 8,2   | 1,4         | 8,0  | PHG DA-2104-8M-...  |                     |
|         | 118                      | 944          | 8,2 | 1,4 | 8,0         | PHG DA-944-8M-...  |                          | 267        | 2 136        | 8,2   | 1,4         | 8,0  | PHG DA-2136-8M-...  |                     |
|         | 119                      | 952          | 8,2 | 1,4 | 8,0         | PHG DA-952-8M-...  |                          | 270        | 2 160        | 8,2   | 1,4         | 8,0  | PHG DA-2160-8M-...  |                     |
|         | 120                      | 960          | 8,2 | 1,4 | 8,0         | PHG DA-960-8M-...  |                          | 276        | 2 208        | 8,2   | 1,4         | 8,0  | PHG DA-2208-8M-...  |                     |
|         | 121                      | 968          | 8,2 | 1,4 | 8,0         | PHG DA-968-8M-...  |                          | 280        | 2 240        | 8,2   | 1,4         | 8,0  | PHG DA-2240-8M-...  |                     |
|         | 122                      | 976          | 8,2 | 1,4 | 8,0         | PHG DA-976-8M-...  |                          | 281        | 2 248        | 8,2   | 1,4         | 8,0  | PHG DA-2248-8M-...  |                     |
|         | 125                      | 1 000        | 8,2 | 1,4 | 8,0         | PHG DA-1000-8M-... |                          | 284        | 2 272        | 8,2   | 1,4         | 8,0  | PHG DA-2272-8M-...  |                     |
|         | 127                      | 1 016        | 8,2 | 1,4 | 8,0         | PHG DA-1016-8M-... |                          | 288        | 2 304        | 8,2   | 1,4         | 8,0  | PHG DA-2304-8M-...  |                     |
|         | 128                      | 1 024        | 8,2 | 1,4 | 8,0         | PHG DA-1024-8M-... |                          | 291        | 2 328        | 8,2   | 1,4         | 8,0  | PHG DA-2328-8M-...  |                     |
|         | 130                      | 1 040        | 8,2 | 1,4 | 8,0         | PHG DA-1040-8M-... |                          | 299        | 2 392        | 8,2   | 1,4         | 8,0  | PHG DA-2392-8M-...  |                     |
|         | 132                      | 1 056        | 8,2 | 1,4 | 8,0         | PHG DA-1056-8M-... |                          | 300        | 2 400        | 8,2   | 1,4         | 8,0  | PHG DA-2400-8M-...  |                     |
|         | 133                      | 1 064        | 8,2 | 1,4 | 8,0         | PHG DA-1064-8M-... |                          | 313        | 2 504        | 8,2   | 1,4         | 8,0  | PHG DA-2504-8M-...  |                     |
|         | 135                      | 1 080        | 8,2 | 1,4 | 8,0         | PHG DA-1080-8M-... |                          | 323        | 2 584        | 8,2   | 1,4         | 8,0  | PHG DA-2584-8M-...  |                     |
|         | 136                      | 1 088        | 8,2 | 1,4 | 8,0         | PHG DA-1088-8M-... |                          | 325        | 2 600        | 8,2   | 1,4         | 8,0  | PHG DA-2600-8M-...  |                     |
|         | 138                      | 1 104        | 8,2 | 1,4 | 8,0         | PHG DA-1104-8M-... |                          | 332        | 2 656        | 8,2   | 1,4         | 8,0  | PHG DA-2656-8M-...  |                     |
|         | 139                      | 1 112        | 8,2 | 1,4 | 8,0         | PHG DA-1112-8M-... |                          | 342        | 2 736        | 8,2   | 1,4         | 8,0  | PHG DA-2736-8M-...  |                     |
|         | 140                      | 1 120        | 8,2 | 1,4 | 8,0         | PHG DA-1120-8M-... |                          | 350        | 2 800        | 8,2   | 1,4         | 8,0  | PHG DA-2800-8M-...  |                     |
|         | 141                      | 1 128        | 8,2 | 1,4 | 8,0         | PHG DA-1128-8M-... |                          | 381        | 3 048        | 8,2   | 1,4         | 8,0  | PHG DA-3048-8M-...  |                     |
|         | 142                      | 1 136        | 8,2 | 1,4 | 8,0         | PHG DA-1136-8M-... |                          | 390        | 3 120        | 8,2   | 1,4         | 8,0  | PHG DA-3120-8M-...  |                     |
|         | 144                      | 1 152        | 8,2 | 1,4 | 8,0         | PHG DA-1152-8M-... |                          | 396        | 3 168        | 8,2   | 1,4         | 8,0  | PHG DA-3168-8M-...  |                     |
|         | 145                      | 1 160        | 8,2 | 1,4 | 8,0         | PHG DA-1160-8M-... |                          | 400        | 3 200        | 8,2   | 1,4         | 8,0  | PHG DA-3200-8M-...  |                     |
|         | 146                      | 1 168        | 8,2 | 1,4 | 8,0         | PHG DA-1168-8M-... |                          | 410        | 3 280        | 8,2   | 1,4         | 8,0  | PHG DA-3280-8M-...  |                     |
|         | 148                      | 1 184        | 8,2 | 1,4 | 8,0         | PHG DA-1184-8M-... |                          | 425        | 3 400        | 8,2   | 1,4         | 8,0  | PHG DA-3400-8M-...  |                     |
|         | 149                      | 1 192        | 8,2 | 1,4 | 8,0         | PHG DA-1192-8M-... |                          | 450        | 3 600        | 8,2   | 1,4         | 8,0  | PHG DA-3600-8M-...  |                     |
|         | 150                      | 1 200        | 8,2 | 1,4 | 8,0         | PHG DA-1200-8M-... |                          | 465        | 3 720        | 8,2   | 1,4         | 8,0  | PHG DA-3720-8M-...  |                     |
|         | 151                      | 1 208        | 8,2 | 1,4 | 8,0         | PHG DA-1208-8M-... |                          | 478        | 3 824        | 8,2   | 1,4         | 8,0  | PHG DA-3824-8M-...  |                     |
|         | 152                      | 1 216        | 8,2 | 1,4 | 8,0         | PHG DA-1216-8M-... |                          | 483        | 3 864        | 8,2   | 1,4         | 8,0  | PHG DA-3864-8M-...  |                     |
|         | 153                      | 1 224        | 8,2 | 1,4 | 8,0         | PHG DA-1224-8M-... |                          | 500        | 4 000        | 8,2   | 1,4         | 8,0  | PHG DA-4000-8M-...  |                     |
|         | 155                      | 1 240        | 8,2 | 1,4 | 8,0         | PHG DA-1240-8M-... |                          | 525        | 4 200        | 8,2   | 1,4         | 8,0  | PHG DA-4200-8M-...  |                     |
|         | 156                      | 1 248        | 8,2 | 1,4 | 8,0         | PHG DA-1248-8M-... |                          | 550        | 4 400        | 8,2   | 1,4         | 8,0  | PHG DA-4400-8M-...  |                     |
|         | 157                      | 1 256        | 8,2 | 1,4 | 8,0         | PHG DA-1256-8M-... |                          | 640        | 5 120        | 8,2   | 1,4         | 8,0  | PHG DA-5120-8M-...  |                     |
|         | 158                      | 1 264        | 8,2 | 1,4 | 8,0         | PHG DA-1264-8M-... |                          | 700        | 5 600        | 8,2   | 1,4         | 8,0  | PHG DA-5600-8M-...  |                     |
|         | 159                      | 1 272        | 8,2 | 1,4 | 8,0         | PHG DA-1272-8M-... |                          | 745        | 5 960        | 8,2   | 1,4         | 8,0  | PHG DA-5960-8M-...  |                     |
|         | 160                      | 1 280        | 8,2 | 1,4 | 8,0         | PHG DA-1280-8M-... |                          | 825        | 6 600        | 8,2   | 1,4         | 8,0  | PHG DA-6600-8M-...  |                     |
|         | 163                      | 1 304        | 8,2 | 1,4 | 8,0         | PHG DA-1304-8M-... |                          | 860        | 6 880        | 8,2   | 1,4         | 8,0  | PHG DA-6880-8M-...  |                     |
|         | 164                      | 1 312        | 8,2 | 1,4 | 8,0         | PHG DA-1312-8M-... |                          |            |              |       |             |      |                     |                     |
|         | 165                      | 1 320        | 8,2 | 1,4 | 8,0         | PHG DA-1320-8M-... |                          | D-14M      | 115          | 1 610 | 14,8        | 2,8  | 14,0                | PHG DA-1610-14M-... |
|         | 166                      | 1 328        | 8,2 | 1,4 | 8,0         | PHG DA-1328-8M-... |                          | 118        | 1 652        | 14,8  | 2,8         | 14,0 | PHG DA-1652-14M-... |                     |
|         | 168                      | 1 344        | 8,2 | 1,4 | 8,0         | PHG DA-1344-8M-... |                          | 125        | 1 750        | 14,8  | 2,8         | 14,0 | PHG DA-1750-14M-... |                     |
|         | 169                      | 1 352        | 8,2 | 1,4 | 8,0         | PHG DA-1352-8M-... |                          | 126        | 1 764        | 14,8  | 2,8         | 14,0 | PHG DA-1764-14M-... |                     |
|         | 170                      | 1 360        | 8,2 | 1,4 | 8,0         | PHG DA-1360-8M-... |                          | 127        | 1 778        | 14,8  | 2,8         | 14,0 | PHG DA-1778-14M-... |                     |
|         | 172                      | 1 376        | 8,2 | 1,4 | 8,0         | PHG DA-1376-8M-... |                          | 128        | 1 792        | 14,8  | 2,8         | 14,0 | PHG DA-1792-14M-... |                     |
|         | 174                      | 1 392        | 8,2 | 1,4 | 8,0         | PHG DA-1392-8M-... |                          | 129        | 1 806        | 14,8  | 2,8         | 14,0 | PHG DA-1806-14M-... |                     |
|         | 175                      | 1 400        | 8,2 | 1,4 | 8,0         | PHG DA-1400-8M-... |                          | 130        | 1 820        | 14,8  | 2,8         | 14,0 | PHG DA-1820-14M-... |                     |
|         | 177                      | 1 416        | 8,2 | 1,4 | 8,0         | PHG DA-1416-8M-... |                          | 135        | 1 890        | 14,8  | 2,8         | 14,0 | PHG DA-1890-14M-... |                     |
|         | 178                      | 1 424        | 8,2 | 1,4 | 8,0         | PHG DA-1424-8M-... |                          | 138        | 1 932        | 14,8  | 2,8         | 14,0 | PHG DA-1932-14M-... |                     |
|         | 179                      | 1 432        | 8,2 | 1,4 | 8,0         | PHG DA-1432-8M-... |                          | 139        | 1 946        | 14,8  | 2,8         | 14,0 | PHG DA-1946-14M-... |                     |
|         |                          |              |     |     |             |                    |                          | 140        | 1 960        | 14,8  | 2,8         | 14,0 | PHG DA-1960-14M-... |                     |

Non-standard lengths may also be available.  
 To complete designation add belt width in mm.  
 Double-sided HiTD belts are available in symmetric (DA) only.  
 Full sleeves are available in various widths. Please contact your SKF Authorized Distributor.

# SKF Double-sided HiTD Belts

## D-14M

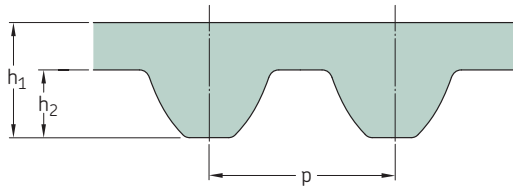


| Section | Number of teeth per side | Dimensions<br>Pitch length | Dimensions |      |                     | Designation         |
|---------|--------------------------|----------------------------|------------|------|---------------------|---------------------|
|         |                          |                            | h          | A    | p                   |                     |
| -       | -                        | mm                         | -          | -    | -                   | -                   |
| D-14M   | 143                      | 2 002                      | 14,8       | 2,8  | 14,0                | PHG DA-2002-14M-... |
|         | 150                      | 2 100                      | 14,8       | 2,8  | 14,0                | PHG DA-2100-14M-... |
|         | 160                      | 2 240                      | 14,8       | 2,8  | 14,0                | PHG DA-2240-14M-... |
|         | 165                      | 2 310                      | 14,8       | 2,8  | 14,0                | PHG DA-2310-14M-... |
|         | 175                      | 2 450                      | 14,8       | 2,8  | 14,0                | PHG DA-2450-14M-... |
|         | 185                      | 2 590                      | 14,8       | 2,8  | 14,0                | PHG DA-2590-14M-... |
|         | 190                      | 2 660                      | 14,8       | 2,8  | 14,0                | PHG DA-2660-14M-... |
|         | 200                      | 2 800                      | 14,8       | 2,8  | 14,0                | PHG DA-2800-14M-... |
|         | 222                      | 3 108                      | 14,8       | 2,8  | 14,0                | PHG DA-3108-14M-... |
|         | 225                      | 3 150                      | 14,8       | 2,8  | 14,0                | PHG DA-3150-14M-... |
|         | 236                      | 3 304                      | 14,8       | 2,8  | 14,0                | PHG DA-3304-14M-... |
|         | 240                      | 3 360                      | 14,8       | 2,8  | 14,0                | PHG DA-3360-14M-... |
|         | 250                      | 3 500                      | 14,8       | 2,8  | 14,0                | PHG DA-3500-14M-... |
|         | 275                      | 3 850                      | 14,8       | 2,8  | 14,0                | PHG DA-3850-14M-... |
|         | 309                      | 4 326                      | 14,8       | 2,8  | 14,0                | PHG DA-4326-14M-... |
|         | 324                      | 4 536                      | 14,8       | 2,8  | 14,0                | PHG DA-4536-14M-... |
|         | 327                      | 4 578                      | 14,8       | 2,8  | 14,0                | PHG DA-4578-14M-... |
|         | 340                      | 4 760                      | 14,8       | 2,8  | 14,0                | PHG DA-4760-14M-... |
|         | 354                      | 4 956                      | 14,8       | 2,8  | 14,0                | PHG DA-4956-14M-... |
|         | 360                      | 5 040                      | 14,8       | 2,8  | 14,0                | PHG DA-5040-14M-... |
|         | 380                      | 5 320                      | 14,8       | 2,8  | 14,0                | PHG DA-5320-14M-... |
|         | 410                      | 5 740                      | 14,8       | 2,8  | 14,0                | PHG DA-5740-14M-... |
|         | 424                      | 5 936                      | 14,8       | 2,8  | 14,0                | PHG DA-5936-14M-... |
| 440     | 6 160                    | 14,8                       | 2,8        | 14,0 | PHG DA-6160-14M-... |                     |
| 490     | 6 860                    | 14,8                       | 2,8        | 14,0 | PHG DA-6860-14M-... |                     |

Non-standard lengths may also be available.  
 To complete designation add belt width in mm.  
 Double-sided HiTD belts are available in symmetric (DA) only.  
 Full sleeves are available in various widths. Please contact your SKF Authorized Distributor.

# Super torque timing belts

S2M | S3M

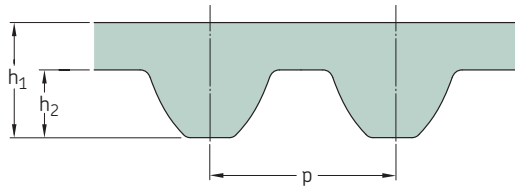


| Section | Number of teeth | Dimensions     |                | Pitch length |                |                | Designation      | Section | Number of teeth | Dimensions |       | Pitch length |      |                 | Designation     |                 |
|---------|-----------------|----------------|----------------|--------------|----------------|----------------|------------------|---------|-----------------|------------|-------|--------------|------|-----------------|-----------------|-----------------|
|         |                 | h <sub>1</sub> | h <sub>2</sub> | p            | h <sub>1</sub> | h <sub>2</sub> |                  |         |                 | p          |       |              |      |                 |                 |                 |
| -       | -               | in.            | mm             | -            | -              | -              | -                | -       | in.             | mm         | -     | -            | -    | -               |                 |                 |
| S2M     | 30              | 2.36           | 60             | 1,36         | 0,76           | 2              | PHG S2M-60-...   | S3M     | 60              | 7.09       | 180   | 2,20         | 1,14 | 3               | PHG S3M-180-... |                 |
|         | 40              | 3.15           | 80             | 1,36         | 0,76           | 2              | PHG S2M-80-...   |         | 62              | 7.32       | 186   | 2,20         | 1,14 | 3               | PHG S3M-186-... |                 |
|         | 48              | 3.78           | 96             | 1,36         | 0,76           | 2              | PHG S2M-96-...   |         | 63              | 7.44       | 189   | 2,20         | 1,14 | 3               | PHG S3M-189-... |                 |
|         | 55              | 4.33           | 110            | 1,36         | 0,76           | 2              | PHG S2M-110-...  |         | 64              | 7.56       | 192   | 2,20         | 1,14 | 3               | PHG S3M-192-... |                 |
|         | 60              | 4.72           | 120            | 1,36         | 0,76           | 2              | PHG S2M-120-...  |         | 67              | 7.91       | 201   | 2,20         | 1,14 | 3               | PHG S3M-201-... |                 |
|         | 63              | 4.96           | 126            | 1,36         | 0,76           | 2              | PHG S2M-126-...  |         | 68              | 8.03       | 204   | 2,20         | 1,14 | 3               | PHG S3M-204-... |                 |
|         | 64              | 5.04           | 128            | 1,36         | 0,76           | 2              | PHG S2M-128-...  |         | 69              | 8.15       | 207   | 2,20         | 1,14 | 3               | PHG S3M-207-... |                 |
|         | 65              | 5.12           | 130            | 1,36         | 0,76           | 2              | PHG S2M-130-...  |         | 70              | 8.27       | 210   | 2,20         | 1,14 | 3               | PHG S3M-210-... |                 |
|         | 66              | 5.20           | 132            | 1,36         | 0,76           | 2              | PHG S2M-132-...  |         | 71              | 8.39       | 213   | 2,20         | 1,14 | 3               | PHG S3M-213-... |                 |
|         | 67              | 5.28           | 134            | 1,36         | 0,76           | 2              | PHG S2M-134-...  |         | 73              | 8.62       | 219   | 2,20         | 1,14 | 3               | PHG S3M-219-... |                 |
|         | 69              | 5.43           | 138            | 1,36         | 0,76           | 2              | PHG S2M-138-...  |         | 74              | 8.74       | 222   | 2,20         | 1,14 | 3               | PHG S3M-222-... |                 |
|         | 73              | 5.75           | 146            | 1,36         | 0,76           | 2              | PHG S2M-146-...  |         | 75              | 8.86       | 225   | 2,20         | 1,14 | 3               | PHG S3M-225-... |                 |
|         | 76              | 5.98           | 152            | 1,36         | 0,76           | 2              | PHG S2M-152-...  |         | 77              | 9.09       | 231   | 2,20         | 1,14 | 3               | PHG S3M-231-... |                 |
|         | 78              | 6.14           | 156            | 1,36         | 0,76           | 2              | PHG S2M-156-...  |         | 78              | 9.21       | 234   | 2,20         | 1,14 | 3               | PHG S3M-234-... |                 |
|         | 80              | 6.30           | 160            | 1,36         | 0,76           | 2              | PHG S2M-160-...  |         | 79              | 9.33       | 237   | 2,20         | 1,14 | 3               | PHG S3M-237-... |                 |
|         | 84              | 6.61           | 168            | 1,36         | 0,76           | 2              | PHG S2M-168-...  |         | 80              | 9.45       | 240   | 2,20         | 1,14 | 3               | PHG S3M-240-... |                 |
|         | 90              | 7.09           | 180            | 1,36         | 0,76           | 2              | PHG S2M-180-...  |         | 82              | 9.69       | 246   | 2,20         | 1,14 | 3               | PHG S3M-246-... |                 |
|         | 91              | 7.17           | 182            | 1,36         | 0,76           | 2              | PHG S2M-182-...  |         | 83              | 9.80       | 249   | 2,20         | 1,14 | 3               | PHG S3M-249-... |                 |
|         | 92              | 7.24           | 184            | 1,36         | 0,76           | 2              | PHG S2M-184-...  |         | 84              | 9.92       | 252   | 2,20         | 1,14 | 3               | PHG S3M-252-... |                 |
|         | 93              | 7.32           | 186            | 1,36         | 0,76           | 2              | PHG S2M-186-...  |         | 85              | 10.04      | 255   | 2,20         | 1,14 | 3               | PHG S3M-255-... |                 |
|         | 96              | 7.56           | 192            | 1,36         | 0,76           | 2              | PHG S2M-192-...  |         | 88              | 10.39      | 264   | 2,20         | 1,14 | 3               | PHG S3M-264-... |                 |
|         | 97              | 7.64           | 194            | 1,36         | 0,76           | 2              | PHG S2M-194-...  |         | 89              | 10.51      | 267   | 2,20         | 1,14 | 3               | PHG S3M-267-... |                 |
|         | 99              | 7.80           | 198            | 1,36         | 0,76           | 2              | PHG S2M-198-...  |         | 92              | 10.87      | 276   | 2,20         | 1,14 | 3               | PHG S3M-276-... |                 |
|         | 100             | 7.87           | 200            | 1,36         | 0,76           | 2              | PHG S2M-200-...  |         | 94              | 11.10      | 282   | 2,20         | 1,14 | 3               | PHG S3M-282-... |                 |
|         | 101             | 7.95           | 202            | 1,36         | 0,76           | 2              | PHG S2M-202-...  |         | 96              | 11.34      | 288   | 2,20         | 1,14 | 3               | PHG S3M-288-... |                 |
|         | 102             | 8.03           | 204            | 1,36         | 0,76           | 2              | PHG S2M-204-...  |         | 97              | 11.46      | 291   | 2,20         | 1,14 | 3               | PHG S3M-291-... |                 |
|         | 112             | 8.82           | 224            | 1,36         | 0,76           | 2              | PHG S2M-224-...  |         | 98              | 11.57      | 294   | 2,20         | 1,14 | 3               | PHG S3M-294-... |                 |
|         | 117             | 9.21           | 234            | 1,36         | 0,76           | 2              | PHG S2M-234-...  |         | 99              | 11.69      | 297   | 2,20         | 1,14 | 3               | PHG S3M-297-... |                 |
|         | 118             | 9.29           | 236            | 1,36         | 0,76           | 2              | PHG S2M-236-...  |         | 100             | 11.81      | 300   | 2,20         | 1,14 | 3               | PHG S3M-300-... |                 |
|         | 120             | 9.45           | 240            | 1,36         | 0,76           | 2              | PHG S2M-240-...  |         | 104             | 12.28      | 312   | 2,20         | 1,14 | 3               | PHG S3M-312-... |                 |
|         | 122             | 9.61           | 244            | 1,36         | 0,76           | 2              | PHG S2M-244-...  |         | 106             | 12.52      | 318   | 2,20         | 1,14 | 3               | PHG S3M-318-... |                 |
|         | 125             | 9.84           | 250            | 1,36         | 0,76           | 2              | PHG S2M-250-...  |         | 107             | 12.64      | 321   | 2,20         | 1,14 | 3               | PHG S3M-321-... |                 |
|         | 130             | 10.24          | 260            | 1,36         | 0,76           | 2              | PHG S2M-260-...  |         | 109             | 12.87      | 327   | 2,20         | 1,14 | 3               | PHG S3M-327-... |                 |
|         | 132             | 10.39          | 264            | 1,36         | 0,76           | 2              | PHG S2M-264-...  |         | 110             | 12.99      | 330   | 2,20         | 1,14 | 3               | PHG S3M-330-... |                 |
|         | 144             | 11.34          | 288            | 1,36         | 0,76           | 2              | PHG S2M-288-...  |         | 111             | 13.11      | 333   | 2,20         | 1,14 | 3               | PHG S3M-333-... |                 |
|         | 156             | 12.28          | 312            | 1,36         | 0,76           | 2              | PHG S2M-312-...  |         | 113             | 13.35      | 339   | 2,20         | 1,14 | 3               | PHG S3M-339-... |                 |
|         | 158             | 12.44          | 316            | 1,36         | 0,76           | 2              | PHG S2M-316-...  |         | 115             | 13.58      | 345   | 2,20         | 1,14 | 3               | PHG S3M-345-... |                 |
|         | 168             | 13.23          | 336            | 1,36         | 0,76           | 2              | PHG S2M-336-...  |         | 117             | 13.82      | 351   | 2,20         | 1,14 | 3               | PHG S3M-351-... |                 |
|         | 177             | 13.94          | 354            | 1,36         | 0,76           | 2              | PHG S2M-354-...  |         | 118             | 13.94      | 354   | 2,20         | 1,14 | 3               | PHG S3M-354-... |                 |
|         | 210             | 16.54          | 420            | 1,36         | 0,76           | 2              | PHG S2M-420-...  |         | 119             | 14.06      | 357   | 2,20         | 1,14 | 3               | PHG S3M-357-... |                 |
|         | 247             | 19.45          | 494            | 1,36         | 0,76           | 2              | PHG S2M-494-...  |         | 120             | 14.17      | 360   | 2,20         | 1,14 | 3               | PHG S3M-360-... |                 |
|         | 290             | 22.83          | 580            | 1,36         | 0,76           | 2              | PHG S2M-580-...  |         | 121             | 14.29      | 363   | 2,20         | 1,14 | 3               | PHG S3M-363-... |                 |
|         | 1500            | 118.11         | 3 000          | 1,36         | 0,76           | 2              | PHG S2M-3000-... |         | 123             | 14.53      | 369   | 2,20         | 1,14 | 3               | PHG S3M-369-... |                 |
|         | 1850            | 145.67         | 3 700          | 1,36         | 0,76           | 2              | PHG S2M-3700-... |         | 128             | 15.12      | 384   | 2,20         | 1,14 | 3               | PHG S3M-384-... |                 |
|         |                 |                |                |              |                |                |                  |         | 135             | 15.94      | 405   | 2,20         | 1,14 | 3               | PHG S3M-405-... |                 |
|         | S3M             | 40             | 4.72           | 120          | 2,20           | 1,14           | 3                |         | PHG S3M-120-... | 136        | 16.06 | 408          | 2,20 | 1,14            | 3               | PHG S3M-408-... |
|         |                 | 43             | 5.08           | 129          | 2,20           | 1,14           | 3                |         | PHG S3M-129-... | 139        | 16.42 | 417          | 2,20 | 1,14            | 3               | PHG S3M-417-... |
|         |                 | 48             | 5.67           | 144          | 2,20           | 1,14           | 3                |         | PHG S3M-144-... | 140        | 16.54 | 420          | 2,20 | 1,14            | 3               | PHG S3M-420-... |
|         |                 | 50             | 5.91           | 150          | 2,20           | 1,14           | 3                |         | PHG S3M-150-... | 144        | 17.01 | 432          | 2,20 | 1,14            | 3               | PHG S3M-432-... |
|         |                 | 52             | 6.14           | 156          | 2,20           | 1,14           | 3                |         | PHG S3M-156-... | 149        | 17.60 | 447          | 2,20 | 1,14            | 3               | PHG S3M-447-... |
| 54      |                 | 6.38           | 162            | 2,20         | 1,14           | 3              | PHG S3M-162-...  | 151     | 17.83           | 453        | 2,20  | 1,14         | 3    | PHG S3M-453-... |                 |                 |
| 55      |                 | 6.50           | 165            | 2,20         | 1,14           | 3              | PHG S3M-165-...  | 153     | 18.07           | 459        | 2,20  | 1,14         | 3    | PHG S3M-459-... |                 |                 |
| 57      |                 | 6.73           | 171            | 2,20         | 1,14           | 3              | PHG S3M-171-...  | 155     | 18.31           | 465        | 2,20  | 1,14         | 3    | PHG S3M-465-... |                 |                 |
| 58      |                 | 6.85           | 174            | 2,20         | 1,14           | 3              | PHG S3M-174-...  | 156     | 18.43           | 468        | 2,20  | 1,14         | 3    | PHG S3M-468-... |                 |                 |
| 59      |                 | 6.97           | 177            | 2,20         | 1,14           | 3              | PHG S3M-177-...  | 162     | 19.13           | 486        | 2,20  | 1,14         | 3    | PHG S3M-486-... |                 |                 |

To complete designation add belt width in mm.  
 Non-standard lengths may also be available.  
 Full sleeves are available in various widths. Please contact your SKF Authorized Distributor.  
 For polyurethane version, add "PU" to the profile type. For example: PHG S14MPU-1000-...

Super torque timing belts

S3M | S4.5M | S5M



| Section | Number of teeth | Dimensions |       | Pitch length |       |     | Designation       |
|---------|-----------------|------------|-------|--------------|-------|-----|-------------------|
|         |                 | in.        | mm    | $h_1$        | $h_2$ | $p$ |                   |
| S3M     | 167             | 19.72      | 501   | 2,20         | 1,14  | 3   | PHG S3M-501-...   |
|         | 168             | 19.84      | 504   | 2,20         | 1,14  | 3   | PHG S3M-504-...   |
|         | 169             | 19.96      | 507   | 2,20         | 1,14  | 3   | PHG S3M-507-...   |
|         | 179             | 21.14      | 537   | 2,20         | 1,14  | 3   | PHG S3M-537-...   |
|         | 188             | 22.20      | 564   | 2,20         | 1,14  | 3   | PHG S3M-564-...   |
|         | 191             | 22.56      | 573   | 2,20         | 1,14  | 3   | PHG S3M-573-...   |
|         | 195             | 23.03      | 585   | 2,20         | 1,14  | 3   | PHG S3M-585-...   |
|         | 199             | 23.50      | 597   | 2,20         | 1,14  | 3   | PHG S3M-597-...   |
|         | 202             | 23.86      | 606   | 2,20         | 1,14  | 3   | PHG S3M-606-...   |
|         | 207             | 24.45      | 621   | 2,20         | 1,14  | 3   | PHG S3M-621-...   |
|         | 211             | 24.92      | 633   | 2,20         | 1,14  | 3   | PHG S3M-633-...   |
|         | 212             | 25.04      | 636   | 2,20         | 1,14  | 3   | PHG S3M-636-...   |
|         | 217             | 25.63      | 651   | 2,20         | 1,14  | 3   | PHG S3M-651-...   |
|         | 219             | 25.87      | 657   | 2,20         | 1,14  | 3   | PHG S3M-657-...   |
|         | 220             | 25.98      | 660   | 2,20         | 1,14  | 3   | PHG S3M-660-...   |
|         | 222             | 26.22      | 666   | 2,20         | 1,14  | 3   | PHG S3M-666-...   |
|         | 230             | 27.17      | 690   | 2,20         | 1,14  | 3   | PHG S3M-690-...   |
|         | 233             | 27.52      | 699   | 2,20         | 1,14  | 3   | PHG S3M-699-...   |
|         | 238             | 28.11      | 714   | 2,20         | 1,14  | 3   | PHG S3M-714-...   |
|         | 240             | 29.53      | 750   | 2,20         | 1,14  | 3   | PHG S3M-750-...   |
|         | 268             | 31.65      | 804   | 2,20         | 1,14  | 3   | PHG S3M-804-...   |
|         | 298             | 35.20      | 894   | 2,20         | 1,14  | 3   | PHG S3M-894-...   |
|         | 350             | 41.34      | 1 050 | 2,20         | 1,14  | 3   | PHG S3M-1050-...  |
|         | 375             | 44.29      | 1 125 | 2,20         | 1,14  | 3   | PHG S3M-1125-...  |
|         | 474             | 55.98      | 1 422 | 2,20         | 1,14  | 3   | PHG S3M-1422-...  |
|         | 532             | 62.83      | 1 596 | 2,20         | 1,14  | 3   | PHG S3M-1596-...  |
|         | 1465            | 173.03     | 4 395 | 2,20         | 1,14  | 3   | PHG S3M-4395-...  |
|         | 1568            | 185.20     | 4 704 | 2,20         | 1,14  | 3   | PHG S3M-4704-...  |
|         | 2170            | 256.30     | 6 510 | 2,20         | 1,14  | 3   | PHG S3M-6510-...  |
| S4.5M   | 40              | 7.09       | 180   | 2,81         | 1,71  | 4,5 | PHG S4.5M-180-... |
|         | 44              | 7.80       | 198   | 2,81         | 1,71  | 4,5 | PHG S4.5M-198-... |
|         | 50              | 8.86       | 225   | 2,81         | 1,71  | 4,5 | PHG S4.5M-225-... |
|         | 53              | 9.41       | 239   | 2,81         | 1,71  | 4,5 | PHG S4.5M-239-... |
|         | 56              | 9.92       | 252   | 2,81         | 1,71  | 4,5 | PHG S4.5M-252-... |
|         | 61              | 10.83      | 275   | 2,81         | 1,71  | 4,5 | PHG S4.5M-275-... |
|         | 62              | 10.98      | 279   | 2,81         | 1,71  | 4,5 | PHG S4.5M-279-... |
|         | 63              | 11.18      | 284   | 2,81         | 1,71  | 4,5 | PHG S4.5M-284-... |
|         | 66              | 11.69      | 297   | 2,81         | 1,71  | 4,5 | PHG S4.5M-297-... |
|         | 70              | 12.40      | 315   | 2,81         | 1,71  | 4,5 | PHG S4.5M-315-... |
|         | 73              | 12.95      | 329   | 2,81         | 1,71  | 4,5 | PHG S4.5M-329-... |
|         | 74              | 13.11      | 333   | 2,81         | 1,71  | 4,5 | PHG S4.5M-333-... |
|         | 75              | 13.31      | 338   | 2,81         | 1,71  | 4,5 | PHG S4.5M-338-... |
|         | 76              | 13.46      | 342   | 2,81         | 1,71  | 4,5 | PHG S4.5M-342-... |
|         | 78              | 13.82      | 351   | 2,81         | 1,71  | 4,5 | PHG S4.5M-351-... |
|         | 80              | 14.17      | 360   | 2,81         | 1,71  | 4,5 | PHG S4.5M-360-... |
|         | 82              | 14.53      | 369   | 2,81         | 1,71  | 4,5 | PHG S4.5M-369-... |
|         | 84              | 15.04      | 382   | 2,81         | 1,71  | 4,5 | PHG S4.5M-382-... |
|         | 86              | 15.24      | 387   | 2,81         | 1,71  | 4,5 | PHG S4.5M-387-... |
|         | 88              | 15.59      | 396   | 2,81         | 1,71  | 4,5 | PHG S4.5M-396-... |
|         | 92              | 16.30      | 414   | 2,81         | 1,71  | 4,5 | PHG S4.5M-414-... |
|         | 97              | 17.20      | 437   | 2,81         | 1,71  | 4,5 | PHG S4.5M-437-... |
|         | 100             | 17.72      | 450   | 2,81         | 1,71  | 4,5 | PHG S4.5M-450-... |
|         | 112             | 19.84      | 504   | 2,81         | 1,71  | 4,5 | PHG S4.5M-504-... |
|         | 124             | 21.97      | 558   | 2,81         | 1,71  | 4,5 | PHG S4.5M-558-... |

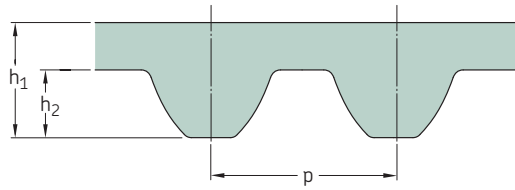
| Section | Number of teeth | Dimensions |       | Pitch length |       |     | Designation       |
|---------|-----------------|------------|-------|--------------|-------|-----|-------------------|
|         |                 | in.        | mm    | $h_1$        | $h_2$ | $p$ |                   |
| S4.5M   | 125             | 22.17      | 563   | 2,81         | 1,71  | 4,5 | PHG S4.5M-563-... |
|         | 140             | 24.80      | 630   | 2,81         | 1,71  | 4,5 | PHG S4.5M-630-... |
|         | 145             | 25.71      | 653   | 2,81         | 1,71  | 4,5 | PHG S4.5M-653-... |
|         | 158             | 27.99      | 711   | 2,81         | 1,71  | 4,5 | PHG S4.5M-711-... |
|         | 192             | 34.02      | 864   | 2,81         | 1,71  | 4,5 | PHG S4.5M-864-... |
|         | 201             | 35.63      | 905   | 2,81         | 1,71  | 4,5 | PHG S4.5M-905-... |
|         | 207             | 36.69      | 932   | 2,81         | 1,71  | 4,5 | PHG S4.5M-932-... |
| S5M     | 30              | 5.91       | 150   | 3,41         | 1,91  | 5   | PHG S5M-150-...   |
|         | 40              | 7.87       | 200   | 3,41         | 1,91  | 5   | PHG S5M-200-...   |
|         | 50              | 9.84       | 250   | 3,41         | 1,91  | 5   | PHG S5M-250-...   |
|         | 51              | 10.04      | 255   | 3,41         | 1,91  | 5   | PHG S5M-255-...   |
|         | 53              | 10.43      | 265   | 3,41         | 1,91  | 5   | PHG S5M-265-...   |
|         | 54              | 10.63      | 270   | 3,41         | 1,91  | 5   | PHG S5M-270-...   |
|         | 57              | 11.22      | 285   | 3,41         | 1,91  | 5   | PHG S5M-285-...   |
|         | 59              | 11.61      | 295   | 3,41         | 1,91  | 5   | PHG S5M-295-...   |
|         | 64              | 12.60      | 320   | 3,41         | 1,91  | 5   | PHG S5M-320-...   |
|         | 65              | 12.80      | 325   | 3,41         | 1,91  | 5   | PHG S5M-325-...   |
|         | 69              | 13.58      | 345   | 3,41         | 1,91  | 5   | PHG S5M-345-...   |
|         | 70              | 13.78      | 350   | 3,41         | 1,91  | 5   | PHG S5M-350-...   |
|         | 75              | 14.76      | 375   | 3,41         | 1,91  | 5   | PHG S5M-375-...   |
|         | 78              | 15.35      | 390   | 3,41         | 1,91  | 5   | PHG S5M-390-...   |
|         | 80              | 15.75      | 400   | 3,41         | 1,91  | 5   | PHG S5M-400-...   |
|         | 82              | 16.14      | 410   | 3,41         | 1,91  | 5   | PHG S5M-410-...   |
|         | 85              | 16.73      | 425   | 3,41         | 1,91  | 5   | PHG S5M-425-...   |
|         | 90              | 17.72      | 450   | 3,41         | 1,91  | 5   | PHG S5M-450-...   |
|         | 95              | 18.70      | 475   | 3,41         | 1,91  | 5   | PHG S5M-475-...   |
|         | 98              | 19.29      | 490   | 3,41         | 1,91  | 5   | PHG S5M-490-...   |
|         | 100             | 19.69      | 500   | 3,41         | 1,91  | 5   | PHG S5M-500-...   |
|         | 104             | 20.47      | 520   | 3,41         | 1,91  | 5   | PHG S5M-520-...   |
|         | 105             | 20.67      | 525   | 3,41         | 1,91  | 5   | PHG S5M-525-...   |
|         | 112             | 22.05      | 560   | 3,41         | 1,91  | 5   | PHG S5M-560-...   |
|         | 113             | 22.24      | 565   | 3,41         | 1,91  | 5   | PHG S5M-565-...   |
|         | 115             | 22.64      | 575   | 3,41         | 1,91  | 5   | PHG S5M-575-...   |
|         | 120             | 23.62      | 600   | 3,41         | 1,91  | 5   | PHG S5M-600-...   |
|         | 125             | 24.61      | 625   | 3,41         | 1,91  | 5   | PHG S5M-625-...   |
|         | 130             | 25.59      | 650   | 3,41         | 1,91  | 5   | PHG S5M-650-...   |
|         | 133             | 26.18      | 665   | 3,41         | 1,91  | 5   | PHG S5M-665-...   |
|         | 134             | 26.38      | 670   | 3,41         | 1,91  | 5   | PHG S5M-670-...   |
|         | 135             | 26.57      | 675   | 3,41         | 1,91  | 5   | PHG S5M-675-...   |
|         | 140             | 27.56      | 700   | 3,41         | 1,91  | 5   | PHG S5M-700-...   |
|         | 150             | 29.53      | 750   | 3,41         | 1,91  | 5   | PHG S5M-750-...   |
|         | 153             | 30.12      | 765   | 3,41         | 1,91  | 5   | PHG S5M-765-...   |
|         | 156             | 30.71      | 780   | 3,41         | 1,91  | 5   | PHG S5M-780-...   |
|         | 160             | 31.50      | 800   | 3,41         | 1,91  | 5   | PHG S5M-800-...   |
|         | 162             | 31.89      | 810   | 3,41         | 1,91  | 5   | PHG S5M-810-...   |
|         | 165             | 32.48      | 825   | 3,41         | 1,91  | 5   | PHG S5M-825-...   |
|         | 166             | 32.68      | 830   | 3,41         | 1,91  | 5   | PHG S5M-830-...   |
|         | 170             | 33.46      | 850   | 3,41         | 1,91  | 5   | PHG S5M-850-...   |
|         | 178             | 35.04      | 890   | 3,41         | 1,91  | 5   | PHG S5M-890-...   |
|         | 180             | 35.43      | 900   | 3,41         | 1,91  | 5   | PHG S5M-900-...   |
|         | 190             | 37.40      | 950   | 3,41         | 1,91  | 5   | PHG S5M-950-...   |
|         | 195             | 38.39      | 975   | 3,41         | 1,91  | 5   | PHG S5M-975-...   |
|         | 200             | 39.37      | 1 000 | 3,41         | 1,91  | 5   | PHG S5M-1000-...  |
|         | 210             | 41.34      | 1 050 | 3,41         | 1,91  | 5   | PHG S5M-1050-...  |

To complete designation add belt width in mm.  
 Non-standard lengths may also be available.  
 Full sleeves are available in various widths. Please contact your SKF Authorized Distributor.  
 For polyurethane version, add "PU" to the profile type. For example: PHG S14MPU-1000-...



# Super torque timing belts

## S14M



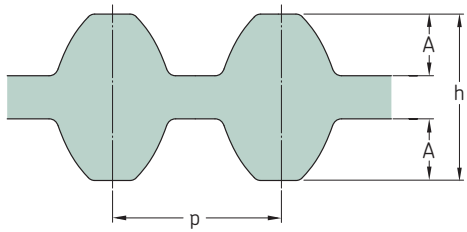
| Section | Number of teeth | Dimensions |       | Pitch length |       |     | Designation       |
|---------|-----------------|------------|-------|--------------|-------|-----|-------------------|
|         |                 | in.        | mm    | $h_1$        | $h_2$ | $p$ |                   |
| –       | –               | –          | –     | –            | –     | –   | –                 |
| S14M    | 150             | 82.68      | 2 100 | 10,20        | 5,30  | 14  | PHG S14M-2100-... |
|         | 157             | 86.54      | 2 198 | 10,20        | 5,30  | 14  | PHG S14M-2198-... |
|         | 160             | 88.19      | 2 240 | 10,20        | 5,30  | 14  | PHG S14M-2240-... |
|         | 165             | 90.94      | 2 310 | 10,20        | 5,30  | 14  | PHG S14M-2310-... |
|         | 170             | 93.70      | 2 380 | 10,20        | 5,30  | 14  | PHG S14M-2380-... |
|         | 175             | 96.46      | 2 450 | 10,20        | 5,30  | 14  | PHG S14M-2450-... |
|         | 185             | 101.97     | 2 590 | 10,20        | 5,30  | 14  | PHG S14M-2590-... |
|         | 190             | 104.72     | 2 660 | 10,20        | 5,30  | 14  | PHG S14M-2660-... |
|         | 200             | 110.24     | 2 800 | 10,20        | 5,30  | 14  | PHG S14M-2800-... |
|         | 201             | 110.79     | 2 814 | 10,20        | 5,30  | 14  | PHG S14M-2814-... |
|         | 225             | 124.02     | 3 150 | 10,20        | 5,30  | 14  | PHG S14M-3150-... |
|         | 250             | 137.80     | 3 500 | 10,20        | 5,30  | 14  | PHG S14M-3500-... |
|         | 275             | 151.57     | 3 850 | 10,20        | 5,30  | 14  | PHG S14M-3850-... |
|         | 286             | 157.64     | 4 004 | 10,20        | 5,30  | 14  | PHG S14M-4004-... |
|         | 315             | 173.62     | 4 410 | 10,20        | 5,30  | 14  | PHG S14M-4410-... |
|         | 322             | 177.48     | 4 508 | 10,20        | 5,30  | 14  | PHG S14M-4508-... |
|         | 358             | 197.32     | 5 012 | 10,20        | 5,30  | 14  | PHG S14M-5012-... |

To complete designation add belt width in mm.  
 Non-standard lengths may also be available.  
 Full sleeves are available in various widths. Please contact your SKF Authorized Distributor.  
 For polyurethane version, add "PU" to the profile type. For example: PHG S14MPU-1000-...



# Double-sided super torque timing belts

DS5M | DS8M



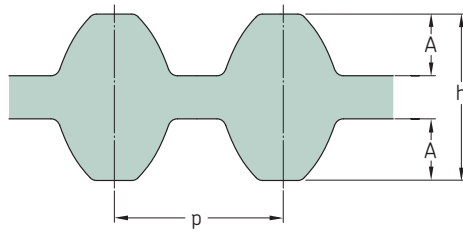
| Section | Number of teeth | Dimensions   |      | Designation |      |                   | Section          | Number of teeth  | Dimensions   |   | Designation |   |   |
|---------|-----------------|--------------|------|-------------|------|-------------------|------------------|------------------|--------------|---|-------------|---|---|
|         |                 | Pitch length |      | h           | A    | p                 |                  |                  | Pitch length |   | h           | A | p |
| -       | -               | in.          | mm   |             |      |                   | -                | -                | -            | - |             |   |   |
| DS5M    | 100             | 19.69        | 500  | 4,96        | 1,91 | 5                 | PHG DS5M-500-... |                  |              |   |             |   |   |
|         | 104             | 20.47        | 520  | 4,96        | 1,91 | 5                 |                  | PHG DS5M-520-... |              |   |             |   |   |
|         | 105             | 20.67        | 525  | 4,96        | 1,91 | 5                 |                  | PHG DS5M-525-... |              |   |             |   |   |
|         | 112             | 22.05        | 560  | 4,96        | 1,91 | 5                 |                  | PHG DS5M-560-... |              |   |             |   |   |
|         | 113             | 22.24        | 565  | 4,96        | 1,91 | 5                 |                  | PHG DS5M-565-... |              |   |             |   |   |
|         | 115             | 22.64        | 575  | 4,96        | 1,91 | 5                 |                  | PHG DS5M-575-... |              |   |             |   |   |
|         | 120             | 23.62        | 600  | 4,96        | 1,91 | 5                 |                  | PHG DS5M-600-... |              |   |             |   |   |
|         | 125             | 24.61        | 625  | 4,96        | 1,91 | 5                 |                  | PHG DS5M-625-... |              |   |             |   |   |
|         | 130             | 25.59        | 650  | 4,96        | 1,91 | 5                 |                  | PHG DS5M-650-... |              |   |             |   |   |
|         | 133             | 26.18        | 665  | 4,96        | 1,91 | 5                 |                  | PHG DS5M-665-... |              |   |             |   |   |
|         | 134             | 26.38        | 670  | 4,96        | 1,91 | 5                 |                  | PHG DS5M-670-... |              |   |             |   |   |
|         | 135             | 26.57        | 675  | 4,96        | 1,91 | 5                 |                  | PHG DS5M-675-... |              |   |             |   |   |
|         | 140             | 27.56        | 700  | 4,96        | 1,91 | 5                 |                  | PHG DS5M-700-... |              |   |             |   |   |
|         | 150             | 29.53        | 750  | 4,96        | 1,91 | 5                 |                  | PHG DS5M-750-... |              |   |             |   |   |
|         | 153             | 30.12        | 765  | 4,96        | 1,91 | 5                 |                  | PHG DS5M-765-... |              |   |             |   |   |
|         | 156             | 30.71        | 780  | 4,96        | 1,91 | 5                 |                  | PHG DS5M-780-... |              |   |             |   |   |
|         | 160             | 31.50        | 800  | 4,96        | 1,91 | 5                 |                  | PHG DS5M-800-... |              |   |             |   |   |
|         | 162             | 31.89        | 810  | 4,96        | 1,91 | 5                 |                  | PHG DS5M-810-... |              |   |             |   |   |
|         | 165             | 32.48        | 825  | 4,96        | 1,91 | 5                 |                  | PHG DS5M-825-... |              |   |             |   |   |
|         | 166             | 32.68        | 830  | 4,96        | 1,91 | 5                 |                  | PHG DS5M-830-... |              |   |             |   |   |
| 170     | 33.46           | 850          | 4,96 | 1,91        | 5    | PHG DS5M-850-...  |                  |                  |              |   |             |   |   |
| 178     | 35.04           | 890          | 4,96 | 1,91        | 5    | PHG DS5M-890-...  |                  |                  |              |   |             |   |   |
| 180     | 35.43           | 900          | 4,96 | 1,91        | 5    | PHG DS5M-900-...  |                  |                  |              |   |             |   |   |
| 190     | 37.40           | 950          | 4,96 | 1,91        | 5    | PHG DS5M-950-...  |                  |                  |              |   |             |   |   |
| 195     | 38.39           | 975          | 4,96 | 1,91        | 5    | PHG DS5M-975-...  |                  |                  |              |   |             |   |   |
| 200     | 39.37           | 1 000        | 4,96 | 1,91        | 5    | PHG DS5M-1000-... |                  |                  |              |   |             |   |   |
| 210     | 41.34           | 1 050        | 4,96 | 1,91        | 5    | PHG DS5M-1050-... |                  |                  |              |   |             |   |   |
| 220     | 43.31           | 1 100        | 4,96 | 1,91        | 5    | PHG DS5M-1100-... |                  |                  |              |   |             |   |   |
| 225     | 44.29           | 1 125        | 4,96 | 1,91        | 5    | PHG DS5M-1125-... |                  |                  |              |   |             |   |   |
| 229     | 45.08           | 1 145        | 4,96 | 1,91        | 5    | PHG DS5M-1145-... |                  |                  |              |   |             |   |   |
| 245     | 48.23           | 1 225        | 4,96 | 1,91        | 5    | PHG DS5M-1225-... |                  |                  |              |   |             |   |   |
| 254     | 50.00           | 1 270        | 4,96 | 1,91        | 5    | PHG DS5M-1270-... |                  |                  |              |   |             |   |   |
| 270     | 53.15           | 1 350        | 4,96 | 1,91        | 5    | PHG DS5M-1350-... |                  |                  |              |   |             |   |   |
| DS8M    | 64              | 20.16        | 512  | 7,47        | 3,05 | 8                 | PHG DS8M-512-... |                  |              |   |             |   |   |
|         | 65              | 20.47        | 520  | 7,47        | 3,05 | 8                 |                  | PHG DS8M-520-... |              |   |             |   |   |
|         | 66              | 20.79        | 528  | 7,47        | 3,05 | 8                 |                  | PHG DS8M-528-... |              |   |             |   |   |
|         | 67              | 21.10        | 536  | 7,47        | 3,05 | 8                 |                  | PHG DS8M-536-... |              |   |             |   |   |
|         | 70              | 22.05        | 560  | 7,47        | 3,05 | 8                 |                  | PHG DS8M-560-... |              |   |             |   |   |
|         | 73              | 22.99        | 584  | 7,47        | 3,05 | 8                 |                  | PHG DS8M-584-... |              |   |             |   |   |
|         | 75              | 23.62        | 600  | 7,47        | 3,05 | 8                 |                  | PHG DS8M-600-... |              |   |             |   |   |
|         | 79              | 24.88        | 632  | 7,47        | 3,05 | 8                 |                  | PHG DS8M-632-... |              |   |             |   |   |
|         | 80              | 25.20        | 640  | 7,47        | 3,05 | 8                 |                  | PHG DS8M-640-... |              |   |             |   |   |
|         | 82              | 25.83        | 656  | 7,47        | 3,05 | 8                 |                  | PHG DS8M-656-... |              |   |             |   |   |
|         | 85              | 26.77        | 680  | 7,47        | 3,05 | 8                 |                  | PHG DS8M-680-... |              |   |             |   |   |
|         | 86              | 27.09        | 688  | 7,47        | 3,05 | 8                 |                  | PHG DS8M-688-... |              |   |             |   |   |
|         | 89              | 28.03        | 712  | 7,47        | 3,05 | 8                 |                  | PHG DS8M-712-... |              |   |             |   |   |
|         | 90              | 28.35        | 720  | 7,47        | 3,05 | 8                 |                  | PHG DS8M-720-... |              |   |             |   |   |
|         | 91              | 28.66        | 728  | 7,47        | 3,05 | 8                 |                  | PHG DS8M-728-... |              |   |             |   |   |
|         | 95              | 29.92        | 760  | 7,47        | 3,05 | 8                 |                  | PHG DS8M-760-... |              |   |             |   |   |
|         | 96              | 30.24        | 768  | 7,47        | 3,05 | 8                 |                  | PHG DS8M-768-... |              |   |             |   |   |
|         | 98              | 30.87        | 784  | 7,47        | 3,05 | 8                 |                  | PHG DS8M-784-... |              |   |             |   |   |
|         | 100             | 31.50        | 800  | 7,47        | 3,05 | 8                 |                  | PHG DS8M-800-... |              |   |             |   |   |
|         | 103             | 32.44        | 824  | 7,47        | 3,05 | 8                 |                  | PHG DS8M-824-... |              |   |             |   |   |
| 105     | 33.07           | 840          | 7,47 | 3,05        | 8    | PHG DS8M-840-...  |                  |                  |              |   |             |   |   |

| Section | Number of teeth | Dimensions   |       | Designation |      |                   | Section          | Number of teeth   | Dimensions   |   | Designation |   |   |
|---------|-----------------|--------------|-------|-------------|------|-------------------|------------------|-------------------|--------------|---|-------------|---|---|
|         |                 | Pitch length |       | h           | A    | p                 |                  |                   | Pitch length |   | h           | A | p |
| -       | -               | in.          | mm    |             |      |                   | -                | -                 | -            | - |             |   |   |
| DS8M    | 106             | 33.39        | 848   | 7,47        | 3,05 | 8                 | PHG DS8M-848-... |                   |              |   |             |   |   |
|         | 108             | 34.02        | 864   | 7,47        | 3,05 | 8                 |                  | PHG DS8M-864-...  |              |   |             |   |   |
|         | 109             | 34.33        | 872   | 7,47        | 3,05 | 8                 |                  | PHG DS8M-872-...  |              |   |             |   |   |
|         | 110             | 34.65        | 880   | 7,47        | 3,05 | 8                 |                  | PHG DS8M-880-...  |              |   |             |   |   |
|         | 112             | 35.28        | 896   | 7,47        | 3,05 | 8                 |                  | PHG DS8M-896-...  |              |   |             |   |   |
|         | 114             | 35.91        | 912   | 7,47        | 3,05 | 8                 |                  | PHG DS8M-912-...  |              |   |             |   |   |
|         | 115             | 36.22        | 920   | 7,47        | 3,05 | 8                 |                  | PHG DS8M-920-...  |              |   |             |   |   |
|         | 116             | 36.54        | 928   | 7,47        | 3,05 | 8                 |                  | PHG DS8M-928-...  |              |   |             |   |   |
|         | 118             | 37.17        | 944   | 7,47        | 3,05 | 8                 |                  | PHG DS8M-944-...  |              |   |             |   |   |
|         | 120             | 37.80        | 960   | 7,47        | 3,05 | 8                 |                  | PHG DS8M-960-...  |              |   |             |   |   |
|         | 122             | 38.43        | 976   | 7,47        | 3,05 | 8                 |                  | PHG DS8M-976-...  |              |   |             |   |   |
|         | 123             | 38.74        | 984   | 7,47        | 3,05 | 8                 |                  | PHG DS8M-984-...  |              |   |             |   |   |
|         | 124             | 39.06        | 992   | 7,47        | 3,05 | 8                 |                  | PHG DS8M-992-...  |              |   |             |   |   |
|         | 125             | 39.37        | 1 000 | 7,47        | 3,05 | 8                 |                  | PHG DS8M-1000-... |              |   |             |   |   |
|         | 126             | 39.69        | 1 008 | 7,47        | 3,05 | 8                 |                  | PHG DS8M-1008-... |              |   |             |   |   |
|         | 129             | 40.63        | 1 032 | 7,47        | 3,05 | 8                 |                  | PHG DS8M-1032-... |              |   |             |   |   |
|         | 130             | 40.94        | 1 040 | 7,47        | 3,05 | 8                 |                  | PHG DS8M-1040-... |              |   |             |   |   |
|         | 132             | 41.57        | 1 056 | 7,47        | 3,05 | 8                 |                  | PHG DS8M-1056-... |              |   |             |   |   |
|         | 133             | 41.89        | 1 064 | 7,47        | 3,05 | 8                 |                  | PHG DS8M-1064-... |              |   |             |   |   |
|         | 135             | 42.52        | 1 080 | 7,47        | 3,05 | 8                 |                  | PHG DS8M-1080-... |              |   |             |   |   |
| 137     | 43.15           | 1 096        | 7,47  | 3,05        | 8    | PHG DS8M-1096-... |                  |                   |              |   |             |   |   |
| 138     | 43.46           | 1 104        | 7,47  | 3,05        | 8    | PHG DS8M-1104-... |                  |                   |              |   |             |   |   |
| 140     | 44.09           | 1 120        | 7,47  | 3,05        | 8    | PHG DS8M-1120-... |                  |                   |              |   |             |   |   |
| 141     | 44.41           | 1 128        | 7,47  | 3,05        | 8    | PHG DS8M-1128-... |                  |                   |              |   |             |   |   |
| 142     | 44.72           | 1 136        | 7,47  | 3,05        | 8    | PHG DS8M-1136-... |                  |                   |              |   |             |   |   |
| 143     | 45.04           | 1 144        | 7,47  | 3,05        | 8    | PHG DS8M-1144-... |                  |                   |              |   |             |   |   |
| 144     | 45.35           | 1 152        | 7,47  | 3,05        | 8    | PHG DS8M-1152-... |                  |                   |              |   |             |   |   |
| 145     | 45.67           | 1 160        | 7,47  | 3,05        | 8    | PHG DS8M-1160-... |                  |                   |              |   |             |   |   |
| 146     | 45.98           | 1 168        | 7,47  | 3,05        | 8    | PHG DS8M-1168-... |                  |                   |              |   |             |   |   |
| 148     | 46.61           | 1 184        | 7,47  | 3,05        | 8    | PHG DS8M-1184-... |                  |                   |              |   |             |   |   |
| 149     | 46.93           | 1 192        | 7,47  | 3,05        | 8    | PHG DS8M-1192-... |                  |                   |              |   |             |   |   |
| 150     | 47.24           | 1 200        | 7,47  | 3,05        | 8    | PHG DS8M-1200-... |                  |                   |              |   |             |   |   |
| 151     | 47.56           | 1 208        | 7,47  | 3,05        | 8    | PHG DS8M-1208-... |                  |                   |              |   |             |   |   |
| 152     | 47.87           | 1 216        | 7,47  | 3,05        | 8    | PHG DS8M-1216-... |                  |                   |              |   |             |   |   |
| 153     | 48.19           | 1 224        | 7,47  | 3,05        | 8    | PHG DS8M-1224-... |                  |                   |              |   |             |   |   |
| 155     | 48.82           | 1 240        | 7,47  | 3,05        | 8    | PHG DS8M-1240-... |                  |                   |              |   |             |   |   |
| 156     | 49.13           | 1 248        | 7,47  | 3,05        | 8    | PHG DS8M-1248-... |                  |                   |              |   |             |   |   |
| 157     | 49.45           | 1 256        | 7,47  | 3,05        | 8    | PHG DS8M-1256-... |                  |                   |              |   |             |   |   |
| 158     | 49.76           | 1 264        | 7,47  | 3,05        | 8    | PHG DS8M-1264-... |                  |                   |              |   |             |   |   |
| 160     | 50.39           | 1 280        | 7,47  | 3,05        | 8    | PHG DS8M-1280-... |                  |                   |              |   |             |   |   |
| 162     | 51.02           | 1 296        | 7,47  | 3,05        | 8    | PHG DS8M-1296-... |                  |                   |              |   |             |   |   |
| 163     | 51.34           | 1 304        | 7,47  | 3,05        | 8    | PHG DS8M-1304-... |                  |                   |              |   |             |   |   |
| 164     | 51.65           | 1 312        | 7,47  | 3,05        | 8    | PHG DS8M-1312-... |                  |                   |              |   |             |   |   |
| 165     | 51.97           | 1 320        | 7,47  | 3,05        | 8    | PHG DS8M-1320-... |                  |                   |              |   |             |   |   |
| 168     | 52.91           | 1 344        | 7,47  | 3,05        | 8    | PHG DS8M-1344-... |                  |                   |              |   |             |   |   |
| 169     | 53.23           | 1 352        | 7,47  | 3,05        | 8    | PHG DS8M-1352-... |                  |                   |              |   |             |   |   |
| 170     | 53.54           | 1 360        | 7,47  | 3,05        | 8    | PHG DS8M-1360-... |                  |                   |              |   |             |   |   |
| 173     | 54.49           | 1 384        | 7,47  | 3,05        | 8    | PHG DS8M-1384-... |                  |                   |              |   |             |   |   |
| 174     | 54.80           | 1 392        | 7,47  | 3,05        | 8    | PHG DS8M-1392-... |                  |                   |              |   |             |   |   |
| 175     | 55.12           | 1 400        | 7,47  | 3,05        | 8    | PHG DS8M-1400-... |                  |                   |              |   |             |   |   |
| 178     | 56.06           | 1 424        | 7,47  | 3,05        | 8    | PHG DS8M-1424-... |                  |                   |              |   |             |   |   |
| 179     | 56.38           | 1 432        | 7,47  | 3,05        | 8    | PHG DS8M-1432-... |                  |                   |              |   |             |   |   |
| 180     | 56.69           | 1 440        | 7,47  | 3,05        | 8    | PHG DS8M-1440-... |                  |                   |              |   |             |   |   |
| 185     | 58.27           | 1 480        | 7,47  | 3,05        | 8    | PHG DS8M-1480-... |                  |                   |              |   |             |   |   |
| 189     | 59.53           | 1 512        | 7,47  | 3,05        | 8    | PHG DS8M-1512-... |                  |                   |              |   |             |   |   |

To complete designation add belt width in mm.  
 Non-standard lengths may also be available.  
 Full sleeves are available in various widths. Please contact your SKF Authorized Distributor.  
 For polyurethane version, add "PU" to the profile type. For example: PHG DS814MPU-6640-...

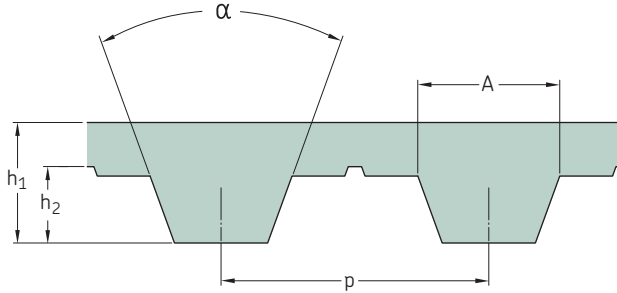
# Double-sided super torque timing belts

DS8M



| Section | Number of teeth | Dimensions   |       | Designation |      |   |                   |
|---------|-----------------|--------------|-------|-------------|------|---|-------------------|
|         |                 | Pitch length |       | h           | A    | p |                   |
|         |                 | in.          | mm    |             |      |   |                   |
| DS8M    | 191             | 60.16        | 1 528 | 7,47        | 3,05 | 8 | PHG DS8M-1528-... |
|         | 192             | 60.47        | 1 536 | 7,47        | 3,05 | 8 | PHG DS8M-1536-... |
|         | 193             | 60.79        | 1 544 | 7,47        | 3,05 | 8 | PHG DS8M-1544-... |
|         | 194             | 61.10        | 1 552 | 7,47        | 3,05 | 8 | PHG DS8M-1552-... |
|         | 200             | 62.99        | 1 600 | 7,47        | 3,05 | 8 | PHG DS8M-1600-... |
|         | 203             | 63.94        | 1 624 | 7,47        | 3,05 | 8 | PHG DS8M-1624-... |
|         | 204             | 64.25        | 1 632 | 7,47        | 3,05 | 8 | PHG DS8M-1632-... |
|         | 206             | 64.88        | 1 648 | 7,47        | 3,05 | 8 | PHG DS8M-1648-... |
|         | 209             | 65.83        | 1 672 | 7,47        | 3,05 | 8 | PHG DS8M-1672-... |
|         | 210             | 66.14        | 1 680 | 7,47        | 3,05 | 8 | PHG DS8M-1680-... |
|         | 212             | 66.77        | 1 696 | 7,47        | 3,05 | 8 | PHG DS8M-1696-... |
|         | 216             | 68.03        | 1 728 | 7,47        | 3,05 | 8 | PHG DS8M-1728-... |
|         | 220             | 69.29        | 1 760 | 7,47        | 3,05 | 8 | PHG DS8M-1760-... |
|         | 222             | 69.92        | 1 776 | 7,47        | 3,05 | 8 | PHG DS8M-1776-... |
|         | 225             | 70.87        | 1 800 | 7,47        | 3,05 | 8 | PHG DS8M-1800-... |
|         | 239             | 75.28        | 1 912 | 7,47        | 3,05 | 8 | PHG DS8M-1912-... |
|         | 250             | 78.74        | 2 000 | 7,47        | 3,05 | 8 | PHG DS8M-2000-... |
|         | 253             | 79.69        | 2 024 | 7,47        | 3,05 | 8 | PHG DS8M-2024-... |
|         | 254             | 80.00        | 2 032 | 7,47        | 3,05 | 8 | PHG DS8M-2032-... |
|         | 256             | 80.63        | 2 048 | 7,47        | 3,05 | 8 | PHG DS8M-2048-... |
|         | 263             | 82.83        | 2 104 | 7,47        | 3,05 | 8 | PHG DS8M-2104-... |
|         | 280             | 88.19        | 2 240 | 7,47        | 3,05 | 8 | PHG DS8M-2240-... |
|         | 284             | 89.45        | 2 272 | 7,47        | 3,05 | 8 | PHG DS8M-2272-... |
|         | 288             | 90.71        | 2 304 | 7,47        | 3,05 | 8 | PHG DS8M-2304-... |
|         | 300             | 94.49        | 2 400 | 7,47        | 3,05 | 8 | PHG DS8M-2400-... |
|         | 304             | 95.75        | 2 432 | 7,47        | 3,05 | 8 | PHG DS8M-2432-... |
|         | 312             | 98.27        | 2 496 | 7,47        | 3,05 | 8 | PHG DS8M-2496-... |
|         | 317             | 99.84        | 2 536 | 7,47        | 3,05 | 8 | PHG DS8M-2536-... |
|         | 320             | 100.79       | 2 560 | 7,47        | 3,05 | 8 | PHG DS8M-2560-... |
|         | 325             | 102.36       | 2 600 | 7,47        | 3,05 | 8 | PHG DS8M-2600-... |
|         | 350             | 110.24       | 2 800 | 7,47        | 3,05 | 8 | PHG DS8M-2800-... |
|         | 356             | 112.13       | 2 848 | 7,47        | 3,05 | 8 | PHG DS8M-2848-... |
|         | 360             | 113.39       | 2 880 | 7,47        | 3,05 | 8 | PHG DS8M-2880-... |
|         | 375             | 118.11       | 3 000 | 7,47        | 3,05 | 8 | PHG DS8M-3000-... |
|         | 400             | 125.98       | 3 200 | 7,47        | 3,05 | 8 | PHG DS8M-3200-... |
|         | 450             | 141.73       | 3 600 | 7,47        | 3,05 | 8 | PHG DS8M-3600-... |
|         | 465             | 146.46       | 3 720 | 7,47        | 3,05 | 8 | PHG DS8M-3720-... |
|         | 500             | 157.48       | 4 000 | 7,47        | 3,05 | 8 | PHG DS8M-4000-... |
|         | 585             | 184.25       | 4 680 | 7,47        | 3,05 | 8 | PHG DS8M-4680-... |
|         | 617             | 194.33       | 4 936 | 7,47        | 3,05 | 8 | PHG DS8M-4936-... |
|         | 635             | 200.00       | 5 080 | 7,47        | 3,05 | 8 | PHG DS8M-5080-... |
|         | 700             | 220.47       | 5 600 | 7,47        | 3,05 | 8 | PHG DS8M-5600-... |
|         | 712             | 224.25       | 5 696 | 7,47        | 3,05 | 8 | PHG DS8M-5696-... |
|         | 830             | 261.42       | 6 640 | 7,47        | 3,05 | 8 | PHG DS8M-6640-... |

To complete designation add belt width in mm.  
 Non-standard lengths may also be available.  
 Full sleeves are available in various widths. Please contact your SKF Authorized Distributor.  
 For polyurethane version, add "PU" to the profile type. For example: PHG DS814MPU-6640-...

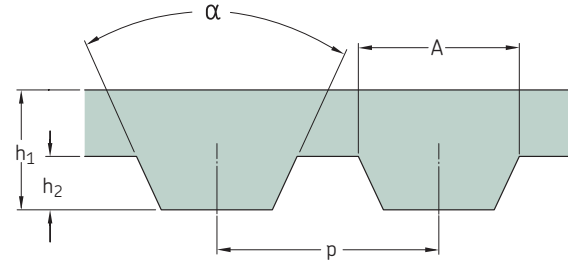
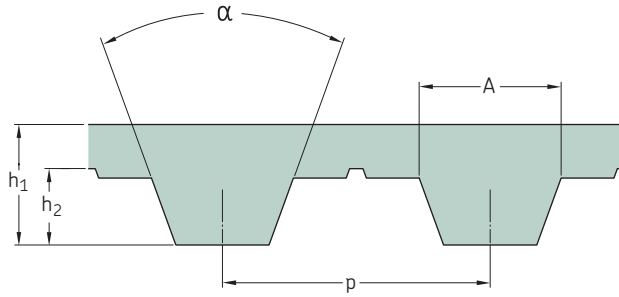


T

| Section | Number of teeth | Dimensions   |       |       |      |      | Designation         |                    |
|---------|-----------------|--------------|-------|-------|------|------|---------------------|--------------------|
|         |                 | Pitch length | $h_1$ | $h_2$ | $p$  | $A$  |                     | $\alpha$           |
|         |                 | mm           |       |       |      |      | °                   |                    |
| T2.5    | 41              | 102.5        | 1.3   | 0.7   | 2.5  | 1.50 | 40                  | PHG T2.5-102.5-... |
|         | 48              | 120.0        | 1.3   | 0.7   | 2.5  | 1.50 | 40                  | PHG T2.5-120-...   |
|         | 58              | 145.0        | 1.3   | 0.7   | 2.5  | 1.50 | 40                  | PHG T2.5-145-...   |
|         | 60              | 150.0        | 1.3   | 0.7   | 2.5  | 1.50 | 40                  | PHG T2.5-150-...   |
|         | 64              | 160.0        | 1.3   | 0.7   | 2.5  | 1.50 | 40                  | PHG T2.5-160-...   |
|         | 66              | 165.0        | 1.3   | 0.7   | 2.5  | 1.50 | 40                  | PHG T2.5-165-...   |
|         | 68              | 170.0        | 1.3   | 0.7   | 2.5  | 1.50 | 40                  | PHG T2.5-170-...   |
|         | 71              | 177.5        | 1.3   | 0.7   | 2.5  | 1.50 | 40                  | PHG T2.5-177.5-... |
|         | 75              | 187.5        | 1.3   | 0.7   | 2.5  | 1.50 | 40                  | PHG T2.5-187.5-... |
|         | 80              | 200.0        | 1.3   | 0.7   | 2.5  | 1.50 | 40                  | PHG T2.5-200-...   |
|         | 92              | 230.0        | 1.3   | 0.7   | 2.5  | 1.50 | 40                  | PHG T2.5-230-...   |
|         | 98              | 245.0        | 1.3   | 0.7   | 2.5  | 1.50 | 40                  | PHG T2.5-245-...   |
|         | 106             | 265.0        | 1.3   | 0.7   | 2.5  | 1.50 | 40                  | PHG T2.5-265-...   |
|         | 114             | 285.0        | 1.3   | 0.7   | 2.5  | 1.50 | 40                  | PHG T2.5-285-...   |
|         | 120             | 300.0        | 1.3   | 0.7   | 2.5  | 1.50 | 40                  | PHG T2.5-300-...   |
| 127     | 317.5           | 1.3          | 0.7   | 2.5   | 1.50 | 40   | PHG T2.5-317.5-...  |                    |
| 132     | 330.0           | 1.3          | 0.7   | 2.5   | 1.50 | 40   | PHG T2.5-330-...    |                    |
| 134     | 335.0           | 1.3          | 0.7   | 2.5   | 1.50 | 40   | PHG T2.5-335-...    |                    |
| 140     | 350.0           | 1.3          | 0.7   | 2.5   | 1.50 | 40   | PHG T2.5-350-...    |                    |
| 152     | 380.0           | 1.3          | 0.7   | 2.5   | 1.50 | 40   | PHG T2.5-380-...    |                    |
| 156     | 390.0           | 1.3          | 0.7   | 2.5   | 1.50 | 40   | PHG T2.5-390-...    |                    |
| 160     | 400.0           | 1.3          | 0.7   | 2.5   | 1.50 | 40   | PHG T2.5-400-...    |                    |
| 164     | 410.0           | 1.3          | 0.7   | 2.5   | 1.50 | 40   | PHG T2.5-410-...    |                    |
| 168     | 420.0           | 1.3          | 0.7   | 2.5   | 1.50 | 40   | PHG T2.5-420-...    |                    |
| 188     | 470.0           | 1.3          | 0.7   | 2.5   | 1.50 | 40   | PHG T2.5-470-...    |                    |
| 192     | 480.0           | 1.3          | 0.7   | 2.5   | 1.50 | 40   | PHG T2.5-480-...    |                    |
| 200     | 500.0           | 1.3          | 0.7   | 2.5   | 1.50 | 40   | PHG T2.5-500-...    |                    |
| 216     | 540.0           | 1.3          | 0.7   | 2.5   | 1.50 | 40   | PHG T2.5-540-...    |                    |
| 248     | 620.0           | 1.3          | 0.7   | 2.5   | 1.50 | 40   | PHG T2.5-620-...    |                    |
| 254     | 635.0           | 1.3          | 0.7   | 2.5   | 1.50 | 40   | PHG T2.5-635-...    |                    |
| 260     | 650.0           | 1.3          | 0.7   | 2.5   | 1.50 | 40   | PHG T2.5-650-...    |                    |
| 276     | 690.0           | 1.3          | 0.7   | 2.5   | 1.50 | 40   | PHG T2.5-690-...    |                    |
| 282     | 705.0           | 1.3          | 0.7   | 2.5   | 1.50 | 40   | PHG T2.5-705-...    |                    |
| 315     | 787.5           | 1.3          | 0.7   | 2.5   | 1.50 | 40   | PHG T2.5-787.5-...  |                    |
| 362     | 905.0           | 1.3          | 0.7   | 2.5   | 1.50 | 40   | PHG T2.5-905-...    |                    |
| 390     | 975.0           | 1.3          | 0.7   | 2.5   | 1.50 | 40   | PHG T2.5-975-...    |                    |
| 416     | 1 040.0         | 1.3          | 0.7   | 2.5   | 1.50 | 40   | PHG T2.5-1040-...   |                    |
| 436     | 1 090.0         | 1.3          | 0.7   | 2.5   | 1.50 | 40   | PHG T2.5-1090-...   |                    |
| 438     | 1 095.0         | 1.3          | 0.7   | 2.5   | 1.50 | 40   | PHG T2.5-1095-...   |                    |
| 451     | 1 127.5         | 1.3          | 0.7   | 2.5   | 1.50 | 40   | PHG T2.5-1127.5-... |                    |
| 518     | 1 295.0         | 1.3          | 0.7   | 2.5   | 1.50 | 40   | PHG T2.5-1295-...   |                    |
| 538     | 1 345.0         | 1.3          | 0.7   | 2.5   | 1.50 | 40   | PHG T2.5-1345-...   |                    |
| T5      | 23              | 115.0        | 2.2   | 1.2   | 5.0  | 2.65 | 40                  | PHG T5-115-...     |
|         | 30              | 150.0        | 2.2   | 1.2   | 5.0  | 2.65 | 40                  | PHG T5-150-...     |
|         | 33              | 165.0        | 2.2   | 1.2   | 5.0  | 2.65 | 40                  | PHG T5-165-...     |
|         | 37              | 185.0        | 2.2   | 1.2   | 5.0  | 2.65 | 40                  | PHG T5-185-...     |
|         | 38              | 190.0        | 2.2   | 1.2   | 5.0  | 2.65 | 40                  | PHG T5-190-...     |
|         | 40              | 200.0        | 2.2   | 1.2   | 5.0  | 2.65 | 40                  | PHG T5-200-...     |
|         | 42              | 210.0        | 2.2   | 1.2   | 5.0  | 2.65 | 40                  | PHG T5-210-...     |
|         | 43              | 215.0        | 2.2   | 1.2   | 5.0  | 2.65 | 40                  | PHG T5-215-...     |
|         | 44              | 220.0        | 2.2   | 1.2   | 5.0  | 2.65 | 40                  | PHG T5-220-...     |
|         | 45              | 225.0        | 2.2   | 1.2   | 5.0  | 2.65 | 40                  | PHG T5-225-...     |
|         | 48              | 240.0        | 2.2   | 1.2   | 5.0  | 2.65 | 40                  | PHG T5-240-...     |
|         | 50              | 250.0        | 2.2   | 1.2   | 5.0  | 2.65 | 40                  | PHG T5-250-...     |

| Section | Number of teeth | Dimensions   |       |       |      |      | Designation    |                |
|---------|-----------------|--------------|-------|-------|------|------|----------------|----------------|
|         |                 | Pitch length | $h_1$ | $h_2$ | $p$  | $A$  |                | $\alpha$       |
|         |                 | mm           |       |       |      |      | °              |                |
| T5      | 51              | 255.0        | 2.2   | 1.2   | 5.0  | 2.65 | 40             | PHG T5-255-... |
|         | 52              | 260.0        | 2.2   | 1.2   | 5.0  | 2.65 | 40             | PHG T5-260-... |
|         | 55              | 275.0        | 2.2   | 1.2   | 5.0  | 2.65 | 40             | PHG T5-275-... |
|         | 56              | 280.0        | 2.2   | 1.2   | 5.0  | 2.65 | 40             | PHG T5-280-... |
|         | 59              | 295.0        | 2.2   | 1.2   | 5.0  | 2.65 | 40             | PHG T5-295-... |
|         | 60              | 300.0        | 2.2   | 1.2   | 5.0  | 2.65 | 40             | PHG T5-300-... |
|         | 61              | 305.0        | 2.2   | 1.2   | 5.0  | 2.65 | 40             | PHG T5-305-... |
|         | 62              | 310.0        | 2.2   | 1.2   | 5.0  | 2.65 | 40             | PHG T5-310-... |
|         | 65              | 325.0        | 2.2   | 1.2   | 5.0  | 2.65 | 40             | PHG T5-325-... |
|         | 66              | 330.0        | 2.2   | 1.2   | 5.0  | 2.65 | 40             | PHG T5-330-... |
|         | 68              | 340.0        | 2.2   | 1.2   | 5.0  | 2.65 | 40             | PHG T5-340-... |
|         | 70              | 350.0        | 2.2   | 1.2   | 5.0  | 2.65 | 40             | PHG T5-350-... |
|         | 71              | 355.0        | 2.2   | 1.2   | 5.0  | 2.65 | 40             | PHG T5-355-... |
|         | 73              | 365.0        | 2.2   | 1.2   | 5.0  | 2.65 | 40             | PHG T5-365-... |
|         | 75              | 375.0        | 2.2   | 1.2   | 5.0  | 2.65 | 40             | PHG T5-375-... |
| 78      | 390.0           | 2.2          | 1.2   | 5.0   | 2.65 | 40   | PHG T5-390-... |                |
| 80      | 400.0           | 2.2          | 1.2   | 5.0   | 2.65 | 40   | PHG T5-400-... |                |
| 82      | 410.0           | 2.2          | 1.2   | 5.0   | 2.65 | 40   | PHG T5-410-... |                |
| 84      | 420.0           | 2.2          | 1.2   | 5.0   | 2.65 | 40   | PHG T5-420-... |                |
| 90      | 450.0           | 2.2          | 1.2   | 5.0   | 2.65 | 40   | PHG T5-450-... |                |
| 91      | 455.0           | 2.2          | 1.2   | 5.0   | 2.65 | 40   | PHG T5-455-... |                |
| 95      | 475.0           | 2.2          | 1.2   | 5.0   | 2.65 | 40   | PHG T5-475-... |                |
| 96      | 480.0           | 2.2          | 1.2   | 5.0   | 2.65 | 40   | PHG T5-480-... |                |
| 100     | 500.0           | 2.2          | 1.2   | 5.0   | 2.65 | 40   | PHG T5-500-... |                |
| 101     | 505.0           | 2.2          | 1.2   | 5.0   | 2.65 | 40   | PHG T5-505-... |                |
| 102     | 510.0           | 2.2          | 1.2   | 5.0   | 2.65 | 40   | PHG T5-510-... |                |
| 105     | 525.0           | 2.2          | 1.2   | 5.0   | 2.65 | 40   | PHG T5-525-... |                |
| 108     | 540.0           | 2.2          | 1.2   | 5.0   | 2.65 | 40   | PHG T5-540-... |                |
| 109     | 545.0           | 2.2          | 1.2   | 5.0   | 2.65 | 40   | PHG T5-545-... |                |
| 110     | 550.0           | 2.2          | 1.2   | 5.0   | 2.65 | 40   | PHG T5-550-... |                |
| 112     | 560.0           | 2.2          | 1.2   | 5.0   | 2.65 | 40   | PHG T5-560-... |                |
| 114     | 570.0           | 2.2          | 1.2   | 5.0   | 2.65 | 40   | PHG T5-570-... |                |
| 115     | 575.0           | 2.2          | 1.2   | 5.0   | 2.65 | 40   | PHG T5-575-... |                |
| 116     | 580.0           | 2.2          | 1.2   | 5.0   | 2.65 | 40   | PHG T5-580-... |                |
| 117     | 585.0           | 2.2          | 1.2   | 5.0   | 2.65 | 40   | PHG T5-585-... |                |
| 120     | 600.0           | 2.2          | 1.2   | 5.0   | 2.65 | 40   | PHG T5-600-... |                |
| 122     | 610.0           | 2.2          | 1.2   | 5.0   | 2.65 | 40   | PHG T5-610-... |                |
| 124     | 620.0           | 2.2          | 1.2   | 5.0   | 2.65 | 40   | PHG T5-620-... |                |
| 126     | 630.0           | 2.2          | 1.2   | 5.0   | 2.65 | 40   | PHG T5-630-... |                |
| 127     | 635.0           | 2.2          | 1.2   | 5.0   | 2.65 | 40   | PHG T5-635-... |                |
| 130     | 650.0           | 2.2          | 1.2   | 5.0   | 2.65 | 40   | PHG T5-650-... |                |
| 133     | 665.0           | 2.2          | 1.2   | 5.0   | 2.65 | 40   | PHG T5-665-... |                |
| 135     | 675.0           | 2.2          | 1.2   | 5.0   | 2.65 | 40   | PHG T5-675-... |                |
| 137     | 685.0           | 2.2          | 1.2   | 5.0   | 2.65 | 40   | PHG T5-685-... |                |
| 138     | 690.0           | 2.2          | 1.2   | 5.0   | 2.65 | 40   | PHG T5-690-... |                |
| 140     | 700.0           | 2.2          | 1.2   | 5.0   | 2.65 | 40   | PHG T5-700-... |                |
| 142     | 710.0           | 2.2          | 1.2   | 5.0   | 2.65 | 40   | PHG T5-710-... |                |
| 144     | 720.0           | 2.2          | 1.2   | 5.0   | 2.65 | 40   | PHG T5-720-... |                |
| 145     | 725.0           | 2.2          | 1.2   | 5.0   | 2.65 | 40   | PHG T5-725-... |                |
| 148     | 740.0           | 2.2          | 1.2   | 5.0   | 2.65 | 40   | PHG T5-740-... |                |
| 150     | 750.0           | 2.2          | 1.2   | 5.0   | 2.65 | 40   | PHG T5-750-... |                |
| 156     | 780.0           | 2.2          | 1.2   | 5.0   | 2.65 | 40   | PHG T5-780-... |                |
| 158     | 790.0           | 2.2          | 1.2   | 5.0   | 2.65 | 40   | PHG T5-790-... |                |
| 160     | 800.0           | 2.2          | 1.2   | 5.0   | 2.65 | 40   | PHG T5-800-... |                |
| 161     | 805.0           | 2.2          | 1.2   | 5.0   | 2.65 | 40   | PHG T5-805-... |                |

Non-standard lengths may also be available.  
 To complete designation add belt width in mm.  
 Full sleeves are available in various widths. Please contact your SKF Authorized Distributor.



| T       |                 |                         |       |            |             |          | Designation     |                 |
|---------|-----------------|-------------------------|-------|------------|-------------|----------|-----------------|-----------------|
| Section | Number of teeth | Dimensions Pitch length |       | Dimensions | Designation |          |                 |                 |
|         |                 | $h_1$                   | $h_2$ | $p$        | $A$         | $\alpha$ |                 |                 |
| mm      |                 |                         |       |            |             |          | °               |                 |
| T5      | 162             | 810,0                   | 2,2   | 1,2        | 5,0         | 2,65     | 40              | PHG T5-810-...  |
|         | 163             | 815,0                   | 2,2   | 1,2        | 5,0         | 2,65     | 40              | PHG T5-815-...  |
|         | 170             | 850,0                   | 2,2   | 1,2        | 5,0         | 2,65     | 40              | PHG T5-850-...  |
|         | 172             | 860,0                   | 2,2   | 1,2        | 5,0         | 2,65     | 40              | PHG T5-860-...  |
|         | 177             | 885,0                   | 2,2   | 1,2        | 5,0         | 2,65     | 40              | PHG T5-885-...  |
|         | 180             | 900,0                   | 2,2   | 1,2        | 5,0         | 2,65     | 40              | PHG T5-900-...  |
|         | 182             | 910,0                   | 2,2   | 1,2        | 5,0         | 2,65     | 40              | PHG T5-910-...  |
|         | 188             | 940,0                   | 2,2   | 1,2        | 5,0         | 2,65     | 40              | PHG T5-940-...  |
|         | 198             | 990,0                   | 2,2   | 1,2        | 5,0         | 2,65     | 40              | PHG T5-990-...  |
|         | 199             | 995,0                   | 2,2   | 1,2        | 5,0         | 2,65     | 40              | PHG T5-995-...  |
|         | 200             | 1 000,0                 | 2,2   | 1,2        | 5,0         | 2,65     | 40              | PHG T5-1000-... |
|         | 204             | 1 020,0                 | 2,2   | 1,2        | 5,0         | 2,65     | 40              | PHG T5-1020-... |
|         | 206             | 1 030,0                 | 2,2   | 1,2        | 5,0         | 2,65     | 40              | PHG T5-1030-... |
|         | 209             | 1 045,0                 | 2,2   | 1,2        | 5,0         | 2,65     | 40              | PHG T5-1045-... |
|         | 210             | 1 050,0                 | 2,2   | 1,2        | 5,0         | 2,65     | 40              | PHG T5-1050-... |
|         | 212             | 1 060,0                 | 2,2   | 1,2        | 5,0         | 2,65     | 40              | PHG T5-1060-... |
|         | 215             | 1 075,0                 | 2,2   | 1,2        | 5,0         | 2,65     | 40              | PHG T5-1075-... |
|         | 220             | 1 100,0                 | 2,2   | 1,2        | 5,0         | 2,65     | 40              | PHG T5-1100-... |
| 224     | 1 120,0         | 2,2                     | 1,2   | 5,0        | 2,65        | 40       | PHG T5-1120-... |                 |
| 228     | 1 140,0         | 2,2                     | 1,2   | 5,0        | 2,65        | 40       | PHG T5-1140-... |                 |
| 240     | 1 200,0         | 2,2                     | 1,2   | 5,0        | 2,65        | 40       | PHG T5-1200-... |                 |
| 243     | 1 215,0         | 2,2                     | 1,2   | 5,0        | 2,65        | 40       | PHG T5-1215-... |                 |
| 252     | 1 260,0         | 2,2                     | 1,2   | 5,0        | 2,65        | 40       | PHG T5-1260-... |                 |
| 254     | 1 270,0         | 2,2                     | 1,2   | 5,0        | 2,65        | 40       | PHG T5-1270-... |                 |
| 255     | 1 275,0         | 2,2                     | 1,2   | 5,0        | 2,65        | 40       | PHG T5-1275-... |                 |
| 260     | 1 300,0         | 2,2                     | 1,2   | 5,0        | 2,65        | 40       | PHG T5-1300-... |                 |
| 265     | 1 325,0         | 2,2                     | 1,2   | 5,0        | 2,65        | 40       | PHG T5-1325-... |                 |
| 276     | 1 380,0         | 2,2                     | 1,2   | 5,0        | 2,65        | 40       | PHG T5-1380-... |                 |
| 278     | 1 390,0         | 2,2                     | 1,2   | 5,0        | 2,65        | 40       | PHG T5-1390-... |                 |
| 283     | 1 415,0         | 2,2                     | 1,2   | 5,0        | 2,65        | 40       | PHG T5-1415-... |                 |
| 304     | 1 520,0         | 2,2                     | 1,2   | 5,0        | 2,65        | 40       | PHG T5-1520-... |                 |
| 326     | 1 630,0         | 2,2                     | 1,2   | 5,0        | 2,65        | 40       | PHG T5-1630-... |                 |
| 348     | 1 740,0         | 2,2                     | 1,2   | 5,0        | 2,65        | 40       | PHG T5-1740-... |                 |
| 352     | 1 760,0         | 2,2                     | 1,2   | 5,0        | 2,65        | 40       | PHG T5-1760-... |                 |
| 360     | 1 800,0         | 2,2                     | 1,2   | 5,0        | 2,65        | 40       | PHG T5-1800-... |                 |
| 376     | 1 880,0         | 2,2                     | 1,2   | 5,0        | 2,65        | 40       | PHG T5-1880-... |                 |
| 380     | 1 900,0         | 2,2                     | 1,2   | 5,0        | 2,65        | 40       | PHG T5-1900-... |                 |
| 388     | 1 940,0         | 2,2                     | 1,2   | 5,0        | 2,65        | 40       | PHG T5-1940-... |                 |
| 392     | 1 960,0         | 2,2                     | 1,2   | 5,0        | 2,65        | 40       | PHG T5-1960-... |                 |
| 424     | 2 120,0         | 2,2                     | 1,2   | 5,0        | 2,65        | 40       | PHG T5-2120-... |                 |
| 432     | 2 160,0         | 2,2                     | 1,2   | 5,0        | 2,65        | 40       | PHG T5-2160-... |                 |
| 444     | 2 220,0         | 2,2                     | 1,2   | 5,0        | 2,65        | 40       | PHG T5-2220-... |                 |
| 452     | 2 260,0         | 2,2                     | 1,2   | 5,0        | 2,65        | 40       | PHG T5-2260-... |                 |
| 456     | 2 280,0         | 2,2                     | 1,2   | 5,0        | 2,65        | 40       | PHG T5-2280-... |                 |
| 612     | 3 060,0         | 2,2                     | 1,2   | 5,0        | 2,65        | 40       | PHG T5-3060-... |                 |
| 651     | 3 255,0         | 2,2                     | 1,2   | 5,0        | 2,65        | 40       | PHG T5-3255-... |                 |
| 658     | 3 290,0         | 2,2                     | 1,2   | 5,0        | 2,65        | 40       | PHG T5-3290-... |                 |
| 708     | 3 540,0         | 2,2                     | 1,2   | 5,0        | 2,65        | 40       | PHG T5-3540-... |                 |
| 750     | 3 750,0         | 2,2                     | 1,2   | 5,0        | 2,65        | 40       | PHG T5-3750-... |                 |
| 815     | 4 075,0         | 2,2                     | 1,2   | 5,0        | 2,65        | 40       | PHG T5-4075-... |                 |
| T10     | 26              | 260,0                   | 4,5   | 2,5        | 10,0        | 5,30     | 40              | PHG T10-260-... |
|         | 32              | 320,0                   | 4,5   | 2,5        | 10,0        | 5,30     | 40              | PHG T10-320-... |
|         | 34              | 340,0                   | 4,5   | 2,5        | 10,0        | 5,30     | 40              | PHG T10-340-... |
|         | 37              | 370,0                   | 4,5   | 2,5        | 10,0        | 5,30     | 40              | PHG T10-370-... |
|         | 40              | 400,0                   | 4,5   | 2,5        | 10,0        | 5,30     | 40              | PHG T10-400-... |

| AT      |                 |                         |       |            |             |          | Designation      |                 |
|---------|-----------------|-------------------------|-------|------------|-------------|----------|------------------|-----------------|
| Section | Number of teeth | Dimensions Pitch length |       | Dimensions | Designation |          |                  |                 |
|         |                 | $h_1$                   | $h_2$ | $p$        | $A$         | $\alpha$ |                  |                 |
| mm      |                 |                         |       |            |             |          | °                |                 |
| T10     | 41              | 410,0                   | 4,5   | 2,5        | 10,0        | 5,30     | 40               | PHG T10-410-... |
|         | 44              | 440,0                   | 4,5   | 2,5        | 10,0        | 5,30     | 40               | PHG T10-440-... |
|         | 45              | 450,0                   | 4,5   | 2,5        | 10,0        | 5,30     | 40               | PHG T10-450-... |
|         | 46              | 460,0                   | 4,5   | 2,5        | 10,0        | 5,30     | 40               | PHG T10-460-... |
|         | 48              | 480,0                   | 4,5   | 2,5        | 10,0        | 5,30     | 40               | PHG T10-480-... |
|         | 50              | 500,0                   | 4,5   | 2,5        | 10,0        | 5,30     | 40               | PHG T10-500-... |
|         | 53              | 530,0                   | 4,5   | 2,5        | 10,0        | 5,30     | 40               | PHG T10-530-... |
|         | 54              | 540,0                   | 4,5   | 2,5        | 10,0        | 5,30     | 40               | PHG T10-540-... |
|         | 55              | 550,0                   | 4,5   | 2,5        | 10,0        | 5,30     | 40               | PHG T10-550-... |
|         | 56              | 560,0                   | 4,5   | 2,5        | 10,0        | 5,30     | 40               | PHG T10-560-... |
|         | 58              | 580,0                   | 4,5   | 2,5        | 10,0        | 5,30     | 40               | PHG T10-580-... |
|         | 60              | 600,0                   | 4,5   | 2,5        | 10,0        | 5,30     | 40               | PHG T10-600-... |
|         | 61              | 610,0                   | 4,5   | 2,5        | 10,0        | 5,30     | 40               | PHG T10-610-... |
|         | 63              | 630,0                   | 4,5   | 2,5        | 10,0        | 5,30     | 40               | PHG T10-630-... |
|         | 65              | 650,0                   | 4,5   | 2,5        | 10,0        | 5,30     | 40               | PHG T10-650-... |
|         | 66              | 660,0                   | 4,5   | 2,5        | 10,0        | 5,30     | 40               | PHG T10-660-... |
|         | 69              | 690,0                   | 4,5   | 2,5        | 10,0        | 5,30     | 40               | PHG T10-690-... |
|         | 70              | 700,0                   | 4,5   | 2,5        | 10,0        | 5,30     | 40               | PHG T10-700-... |
| 72      | 720,0           | 4,5                     | 2,5   | 10,0       | 5,30        | 40       | PHG T10-720-...  |                 |
| 73      | 730,0           | 4,5                     | 2,5   | 10,0       | 5,30        | 40       | PHG T10-730-...  |                 |
| 75      | 750,0           | 4,5                     | 2,5   | 10,0       | 5,30        | 40       | PHG T10-750-...  |                 |
| 77      | 770,0           | 4,5                     | 2,5   | 10,0       | 5,30        | 40       | PHG T10-770-...  |                 |
| 78      | 780,0           | 4,5                     | 2,5   | 10,0       | 5,30        | 40       | PHG T10-780-...  |                 |
| 80      | 800,0           | 4,5                     | 2,5   | 10,0       | 5,30        | 40       | PHG T10-800-...  |                 |
| 81      | 810,0           | 4,5                     | 2,5   | 10,0       | 5,30        | 40       | PHG T10-810-...  |                 |
| 84      | 840,0           | 4,5                     | 2,5   | 10,0       | 5,30        | 40       | PHG T10-840-...  |                 |
| 85      | 850,0           | 4,5                     | 2,5   | 10,0       | 5,30        | 40       | PHG T10-850-...  |                 |
| 88      | 880,0           | 4,5                     | 2,5   | 10,0       | 5,30        | 40       | PHG T10-880-...  |                 |
| 89      | 890,0           | 4,5                     | 2,5   | 10,0       | 5,30        | 40       | PHG T10-890-...  |                 |
| 90      | 900,0           | 4,5                     | 2,5   | 10,0       | 5,30        | 40       | PHG T10-900-...  |                 |
| 91      | 910,0           | 4,5                     | 2,5   | 10,0       | 5,30        | 40       | PHG T10-910-...  |                 |
| 92      | 920,0           | 4,5                     | 2,5   | 10,0       | 5,30        | 40       | PHG T10-920-...  |                 |
| 95      | 950,0           | 4,5                     | 2,5   | 10,0       | 5,30        | 40       | PHG T10-950-...  |                 |
| 96      | 960,0           | 4,5                     | 2,5   | 10,0       | 5,30        | 40       | PHG T10-960-...  |                 |
| 97      | 970,0           | 4,5                     | 2,5   | 10,0       | 5,30        | 40       | PHG T10-970-...  |                 |
| 98      | 980,0           | 4,5                     | 2,5   | 10,0       | 5,30        | 40       | PHG T10-980-...  |                 |
| 100     | 1 000,0         | 4,5                     | 2,5   | 10,0       | 5,30        | 40       | PHG T10-1000-... |                 |
| 101     | 1 010,0         | 4,5                     | 2,5   | 10,0       | 5,30        | 40       | PHG T10-1010-... |                 |
| 103     | 1 030,0         | 4,5                     | 2,5   | 10,0       | 5,30        | 40       | PHG T10-1030-... |                 |
| 104     | 1 040,0         | 4,5                     | 2,5   | 10,0       | 5,30        | 40       | PHG T10-1040-... |                 |
| 105     | 1 050,0         | 4,5                     | 2,5   | 10,0       | 5,30        | 40       | PHG T10-1050-... |                 |
| 108     | 1 080,0         | 4,5                     | 2,5   | 10,0       | 5,30        | 40       | PHG T10-1080-... |                 |
| 110     | 1 100,0         | 4,5                     | 2,5   | 10,0       | 5,30        | 40       | PHG T10-1100-... |                 |
| 111     | 1 110,0         | 4,5                     | 2,5   | 10,0       | 5,30        | 40       | PHG T10-1110-... |                 |
| 114     | 1 140,0         | 4,5                     | 2,5   | 10,0       | 5,30        | 40       | PHG T10-1140-... |                 |
| 115     | 1 150,0         | 4,5                     | 2,5   | 10,0       | 5,30        | 40       | PHG T10-1150-... |                 |
| 120     | 1 200,0         | 4,5                     | 2,5   | 10,0       | 5,30        | 40       | PHG T10-1200-... |                 |
| 121     | 1 210,0         | 4,5                     | 2,5   | 10,0       | 5,30        | 40       | PHG T10-1210-... |                 |
| 124     | 1 240,0         | 4,5                     | 2,5   | 10,0       | 5,30        | 40       | PHG T10-1240-... |                 |
| 125     | 1 250,0         | 4,5                     | 2,5   | 10,0       | 5,30        | 40       | PHG T10-1250-... |                 |
| 126     | 1 260,0         | 4,5                     | 2,5   | 10,0       | 5,30        | 40       | PHG T10-1260-... |                 |
| 128     | 1 280,0         | 4,5                     | 2,5   | 10,0       | 5,30        | 40       | PHG T10-1280-... |                 |
| 130     | 1 300,0         | 4,5                     | 2,5   | 10,0       | 5,30        | 40       | PHG T10-1300-... |                 |
| 132     | 1 320,0         | 4,5                     | 2,5   | 10,0       | 5,30        | 40       | PHG T10-1320-... |                 |
| 135     | 1 350,0         | 4,5                     | 2,5   | 10,0       | 5,30        | 40       | PHG T10-1350-... |                 |

Non-standard lengths may also be available.  
 To complete designation add belt width in mm.  
 Full sleeves are available in various widths. Please contact your SKF Authorized Distributor.

# SKF Metric Timing Belts

T10 | T20 | AT5 | AT10 | AT20

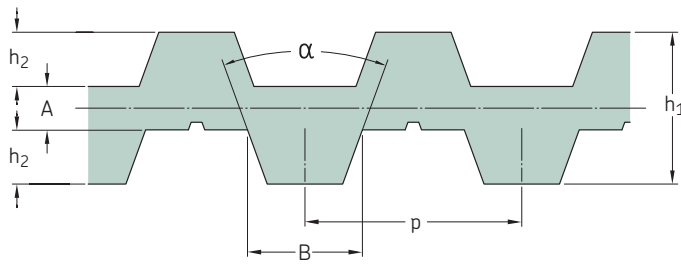
| Section | Number of teeth | Dimensions Pitch length | Dimensions     |                |      |       | α                | Designation      |
|---------|-----------------|-------------------------|----------------|----------------|------|-------|------------------|------------------|
|         |                 |                         | h <sub>1</sub> | h <sub>2</sub> | p    | A     |                  |                  |
|         |                 | mm                      |                |                |      |       | °                |                  |
| T10     | 139             | 1 390,0                 | 4,5            | 2,5            | 10,0 | 5,30  | 40               | PHG T10-1390-... |
|         | 140             | 1 400,0                 | 4,5            | 2,5            | 10,0 | 5,30  | 40               | PHG T10-1400-... |
|         | 142             | 1 420,0                 | 4,5            | 2,5            | 10,0 | 5,30  | 40               | PHG T10-1420-... |
|         | 144             | 1 440,0                 | 4,5            | 2,5            | 10,0 | 5,30  | 40               | PHG T10-1440-... |
|         | 145             | 1 450,0                 | 4,5            | 2,5            | 10,0 | 5,30  | 40               | PHG T10-1450-... |
|         | 146             | 1 460,0                 | 4,5            | 2,5            | 10,0 | 5,30  | 40               | PHG T10-1460-... |
|         | 148             | 1 480,0                 | 4,5            | 2,5            | 10,0 | 5,30  | 40               | PHG T10-1480-... |
|         | 150             | 1 500,0                 | 4,5            | 2,5            | 10,0 | 5,30  | 40               | PHG T10-1500-... |
|         | 152             | 1 520,0                 | 4,5            | 2,5            | 10,0 | 5,30  | 40               | PHG T10-1520-... |
|         | 156             | 1 560,0                 | 4,5            | 2,5            | 10,0 | 5,30  | 40               | PHG T10-1560-... |
|         | 160             | 1 600,0                 | 4,5            | 2,5            | 10,0 | 5,30  | 40               | PHG T10-1600-... |
|         | 161             | 1 610,0                 | 4,5            | 2,5            | 10,0 | 5,30  | 40               | PHG T10-1610-... |
|         | 164             | 1 640,0                 | 4,5            | 2,5            | 10,0 | 5,30  | 40               | PHG T10-1640-... |
|         | 169             | 1 690,0                 | 4,5            | 2,5            | 10,0 | 5,30  | 40               | PHG T10-1690-... |
|         | 170             | 1 700,0                 | 4,5            | 2,5            | 10,0 | 5,30  | 40               | PHG T10-1700-... |
|         | 175             | 1 750,0                 | 4,5            | 2,5            | 10,0 | 5,30  | 40               | PHG T10-1750-... |
|         | 178             | 1 780,0                 | 4,5            | 2,5            | 10,0 | 5,30  | 40               | PHG T10-1780-... |
|         | 180             | 1 800,0                 | 4,5            | 2,5            | 10,0 | 5,30  | 40               | PHG T10-1800-... |
|         | 186             | 1 860,0                 | 4,5            | 2,5            | 10,0 | 5,30  | 40               | PHG T10-1860-... |
|         | 188             | 1 880,0                 | 4,5            | 2,5            | 10,0 | 5,30  | 40               | PHG T10-1880-... |
|         | 196             | 1 960,0                 | 4,5            | 2,5            | 10,0 | 5,30  | 40               | PHG T10-1960-... |
|         | 198             | 1 980,0                 | 4,5            | 2,5            | 10,0 | 5,30  | 40               | PHG T10-1980-... |
|         | 202             | 2 020,0                 | 4,5            | 2,5            | 10,0 | 5,30  | 40               | PHG T10-2020-... |
|         | 208             | 2 080,0                 | 4,5            | 2,5            | 10,0 | 5,30  | 40               | PHG T10-2080-... |
|         | 209             | 2 090,0                 | 4,5            | 2,5            | 10,0 | 5,30  | 40               | PHG T10-2090-... |
|         | 210             | 2 100,0                 | 4,5            | 2,5            | 10,0 | 5,30  | 40               | PHG T10-2100-... |
|         | 220             | 2 200,0                 | 4,5            | 2,5            | 10,0 | 5,30  | 40               | PHG T10-2200-... |
|         | 225             | 2 250,0                 | 4,5            | 2,5            | 10,0 | 5,30  | 40               | PHG T10-2250-... |
|         | 227             | 2 270,0                 | 4,5            | 2,5            | 10,0 | 5,30  | 40               | PHG T10-2270-... |
|         | 230             | 2 300,0                 | 4,5            | 2,5            | 10,0 | 5,30  | 40               | PHG T10-2300-... |
|         | 234             | 2 340,0                 | 4,5            | 2,5            | 10,0 | 5,30  | 40               | PHG T10-2340-... |
|         | 236             | 2 360,0                 | 4,5            | 2,5            | 10,0 | 5,30  | 40               | PHG T10-2360-... |
|         | 238             | 2 380,0                 | 4,5            | 2,5            | 10,0 | 5,30  | 40               | PHG T10-2380-... |
|         | 243             | 2 430,0                 | 4,5            | 2,5            | 10,0 | 5,30  | 40               | PHG T10-2430-... |
|         | 248             | 2 480,0                 | 4,5            | 2,5            | 10,0 | 5,30  | 40               | PHG T10-2480-... |
|         | 250             | 2 500,0                 | 4,5            | 2,5            | 10,0 | 5,30  | 40               | PHG T10-2500-... |
|         | 254             | 2 540,0                 | 4,5            | 2,5            | 10,0 | 5,30  | 40               | PHG T10-2540-... |
| 259     | 2 590,0         | 4,5                     | 2,5            | 10,0           | 5,30 | 40    | PHG T10-2590-... |                  |
| 260     | 2 600,0         | 4,5                     | 2,5            | 10,0           | 5,30 | 40    | PHG T10-2600-... |                  |
| 261     | 2 610,0         | 4,5                     | 2,5            | 10,0           | 5,30 | 40    | PHG T10-2610-... |                  |
| 265     | 2 650,0         | 4,5                     | 2,5            | 10,0           | 5,30 | 40    | PHG T10-2650-... |                  |
| 270     | 2 700,0         | 4,5                     | 2,5            | 10,0           | 5,30 | 40    | PHG T10-2700-... |                  |
| 280     | 2 800,0         | 4,5                     | 2,5            | 10,0           | 5,30 | 40    | PHG T10-2800-... |                  |
| 288     | 2 880,0         | 4,5                     | 2,5            | 10,0           | 5,30 | 40    | PHG T10-2880-... |                  |
| 300     | 3 000,0         | 4,5                     | 2,5            | 10,0           | 5,30 | 40    | PHG T10-3000-... |                  |
| 304     | 3 040,0         | 4,5                     | 2,5            | 10,0           | 5,30 | 40    | PHG T10-3040-... |                  |
| 310     | 3 100,0         | 4,5                     | 2,5            | 10,0           | 5,30 | 40    | PHG T10-3100-... |                  |
| 323     | 3 230,0         | 4,5                     | 2,5            | 10,0           | 5,30 | 40    | PHG T10-3230-... |                  |
| 330     | 3 300,0         | 4,5                     | 2,5            | 10,0           | 5,30 | 40    | PHG T10-3300-... |                  |
| 334     | 3 340,0         | 4,5                     | 2,5            | 10,0           | 5,30 | 40    | PHG T10-3340-... |                  |
| 350     | 3 500,0         | 4,5                     | 2,5            | 10,0           | 5,30 | 40    | PHG T10-3500-... |                  |
| 360     | 3 600,0         | 4,5                     | 2,5            | 10,0           | 5,30 | 40    | PHG T10-3600-... |                  |
| 368     | 3 680,0         | 4,5                     | 2,5            | 10,0           | 5,30 | 40    | PHG T10-3680-... |                  |
| 387     | 3 870,0         | 4,5                     | 2,5            | 10,0           | 5,30 | 40    | PHG T10-3870-... |                  |
| 404     | 4 040,0         | 4,5                     | 2,5            | 10,0           | 5,30 | 40    | PHG T10-4040-... |                  |
| 428     | 4 280,0         | 4,5                     | 2,5            | 10,0           | 5,30 | 40    | PHG T10-4280-... |                  |
| 468     | 4 680,0         | 4,5                     | 2,5            | 10,0           | 5,30 | 40    | PHG T10-4680-... |                  |
| 506     | 5 060,0         | 4,5                     | 2,5            | 10,0           | 5,30 | 40    | PHG T10-5060-... |                  |
| 536     | 5 360,0         | 4,5                     | 2,5            | 10,0           | 5,30 | 40    | PHG T10-5360-... |                  |
| 567     | 5 670,0         | 4,5                     | 2,5            | 10,0           | 5,30 | 40    | PHG T10-5670-... |                  |
| 600     | 6 000,0         | 4,5                     | 2,5            | 10,0           | 5,30 | 40    | PHG T10-6000-... |                  |
| 629     | 6 290,0         | 4,5                     | 2,5            | 10,0           | 5,30 | 40    | PHG T10-6290-... |                  |
| 700     | 7 000,0         | 4,5                     | 2,5            | 10,0           | 5,30 | 40    | PHG T10-7000-... |                  |
| 705     | 7 050,0         | 4,5                     | 2,5            | 10,0           | 5,30 | 40    | PHG T10-7050-... |                  |
| T20     | 44              | 880,0                   | 8,0            | 5,0            | 20,0 | 10,15 | 40               | PHG T20-880-...  |
|         | 59              | 1 180,0                 | 8,0            | 5,0            | 20,0 | 10,15 | 40               | PHG T20-1180-... |
|         | 61              | 1 220,0                 | 8,0            | 5,0            | 20,0 | 10,15 | 40               | PHG T20-1220-... |
|         | 62              | 1 240,0                 | 8,0            | 5,0            | 20,0 | 10,15 | 40               | PHG T20-1240-... |
|         | 63              | 1 260,0                 | 8,0            | 5,0            | 20,0 | 10,15 | 40               | PHG T20-1260-... |
|         | 64              | 1 280,0                 | 8,0            | 5,0            | 20,0 | 10,15 | 40               | PHG T20-1280-... |
|         | 73              | 1 460,0                 | 8,0            | 5,0            | 20,0 | 10,15 | 40               | PHG T20-1460-... |
|         | 80              | 1 600,0                 | 8,0            | 5,0            | 20,0 | 10,15 | 40               | PHG T20-1600-... |
|         | 84              | 1 680,0                 | 8,0            | 5,0            | 20,0 | 10,15 | 40               | PHG T20-1680-... |
|         | 85              | 1 700,0                 | 8,0            | 5,0            | 20,0 | 10,15 | 40               | PHG T20-1700-... |
|         | 89              | 1 780,0                 | 8,0            | 5,0            | 20,0 | 10,15 | 40               | PHG T20-1780-... |
|         | 94              | 1 880,0                 | 8,0            | 5,0            | 20,0 | 10,15 | 40               | PHG T20-1880-... |

| Section | Number of teeth | Dimensions Pitch length | Dimensions     |                |      |       | α                 | Designation       |                  |
|---------|-----------------|-------------------------|----------------|----------------|------|-------|-------------------|-------------------|------------------|
|         |                 |                         | h <sub>1</sub> | h <sub>2</sub> | p    | A     |                   |                   |                  |
|         |                 | mm                      |                |                |      |       | °                 |                   |                  |
| T20     | 102             | 2 040,0                 | 8,0            | 5,0            | 20,0 | 10,15 | 40                | PHG T20-2040-...  |                  |
|         | 110             | 2 200,0                 | 8,0            | 5,0            | 20,0 | 10,15 | 40                | PHG T20-2200-...  |                  |
|         | 112             | 2 240,0                 | 8,0            | 5,0            | 20,0 | 10,15 | 40                | PHG T20-2240-...  |                  |
|         | 130             | 2 600,0                 | 8,0            | 5,0            | 20,0 | 10,15 | 40                | PHG T20-2600-...  |                  |
|         | 136             | 2 720,0                 | 8,0            | 5,0            | 20,0 | 10,15 | 40                | PHG T20-2720-...  |                  |
|         | 137             | 2 740,0                 | 8,0            | 5,0            | 20,0 | 10,15 | 40                | PHG T20-2740-...  |                  |
|         | 138             | 2 760,0                 | 8,0            | 5,0            | 20,0 | 10,15 | 40                | PHG T20-2760-...  |                  |
|         | 155             | 3 100,0                 | 8,0            | 5,0            | 20,0 | 10,15 | 40                | PHG T20-3100-...  |                  |
|         | 181             | 3 620,0                 | 8,0            | 5,0            | 20,0 | 10,15 | 40                | PHG T20-3620-...  |                  |
|         | 238             | 4 760,0                 | 8,0            | 5,0            | 20,0 | 10,15 | 40                | PHG T20-4760-...  |                  |
|         | 250             | 5 000,0                 | 8,0            | 5,0            | 20,0 | 10,15 | 40                | PHG T20-5000-...  |                  |
|         | AT5             | 44                      | 220,0          | 2,7            | 1,2  | 5,0   | 3,62              | 50                | PHG AT5-220-...  |
|         |                 | 60                      | 300,0          | 2,7            | 1,2  | 5,0   | 3,62              | 50                | PHG AT5-300-...  |
| 61      |                 | 305,0                   | 2,7            | 1,2            | 5,0  | 3,62  | 50                | PHG AT5-305-...   |                  |
| 68      |                 | 340,0                   | 2,7            | 1,2            | 5,0  | 3,62  | 50                | PHG AT5-340-...   |                  |
| 78      |                 | 390,0                   | 2,7            | 1,2            | 5,0  | 3,62  | 50                | PHG AT5-390-...   |                  |
| 84      |                 | 420,0                   | 2,7            | 1,2            | 5,0  | 3,62  | 50                | PHG AT5-420-...   |                  |
| 91      |                 | 455,0                   | 2,7            | 1,2            | 5,0  | 3,62  | 50                | PHG AT5-455-...   |                  |
| 109     |                 | 545,0                   | 2,7            | 1,2            | 5,0  | 3,62  | 50                | PHG AT5-545-...   |                  |
| 120     |                 | 600,0                   | 2,7            | 1,2            | 5,0  | 3,62  | 50                | PHG AT5-600-...   |                  |
| 126     |                 | 630,0                   | 2,7            | 1,2            | 5,0  | 3,62  | 50                | PHG AT5-630-...   |                  |
| 132     |                 | 660,0                   | 2,7            | 1,2            | 5,0  | 3,62  | 50                | PHG AT5-660-...   |                  |
| 138     |                 | 690,0                   | 2,7            | 1,2            | 5,0  | 3,62  | 50                | PHG AT5-690-...   |                  |
| 150     |                 | 750,0                   | 2,7            | 1,2            | 5,0  | 3,62  | 50                | PHG AT5-750-...   |                  |
| 165     |                 | 825,0                   | 2,7            | 1,2            | 5,0  | 3,62  | 50                | PHG AT5-825-...   |                  |
| 195     |                 | 975,0                   | 2,7            | 1,2            | 5,0  | 3,62  | 50                | PHG AT5-975-...   |                  |
| 225     |                 | 1 125,0                 | 2,7            | 1,2            | 5,0  | 3,62  | 50                | PHG AT5-1125-...  |                  |
| 304     |                 | 1 520,0                 | 2,7            | 1,2            | 5,0  | 3,62  | 50                | PHG AT5-1520-...  |                  |
| AT10    |                 | 50                      | 500,0          | 5,0            | 2,5  | 10,0  | 7,30              | 50                | PHG AT10-500-... |
|         |                 | 56                      | 560,0          | 5,0            | 2,5  | 10,0  | 7,30              | 50                | PHG AT10-560-... |
|         | 58              | 580,0                   | 5,0            | 2,5            | 10,0 | 7,30  | 50                | PHG AT10-580-...  |                  |
|         | 66              | 660,0                   | 5,0            | 2,5            | 10,0 | 7,30  | 50                | PHG AT10-660-...  |                  |
|         | 73              | 730,0                   | 5,0            | 2,5            | 10,0 | 7,30  | 50                | PHG AT10-730-...  |                  |
|         | 84              | 840,0                   | 5,0            | 2,5            | 10,0 | 7,30  | 50                | PHG AT10-840-...  |                  |
|         | 92              | 920,0                   | 5,0            | 2,5            | 10,0 | 7,30  | 50                | PHG AT10-920-...  |                  |
|         | 96              | 960,0                   | 5,0            | 2,5            | 10,0 | 7,30  | 50                | PHG AT10-960-...  |                  |
|         | 101             | 1 010,0                 | 5,0            | 2,5            | 10,0 | 7,30  | 50                | PHG AT10-1010-... |                  |
|         | 115             | 1 150,0                 | 5,0            | 2,5            | 10,0 | 7,30  | 50                | PHG AT10-1150-... |                  |
|         | 121             | 1 210,0                 | 5,0            | 2,5            | 10,0 | 7,30  | 50                | PHG AT10-1210-... |                  |
|         | 124             | 1 240,0                 | 5,0            | 2,5            | 10,0 | 7,30  | 50                | PHG AT10-1240-... |                  |
|         | 125             | 1 250,0                 | 5,0            | 2,5            | 10,0 | 7,30  | 50                | PHG AT10-1250-... |                  |
|         | 128             | 1 280,0                 | 5,0            | 2,5            | 10,0 | 7,30  | 50                | PHG AT10-1280-... |                  |
|         | 132             | 1 320,0                 | 5,0            | 2,5            | 10,0 | 7,30  | 50                | PHG AT10-1320-... |                  |
|         | 150             | 1 500,0                 | 5,0            | 2,5            | 10,0 | 7,30  | 50                | PHG AT10-1500-... |                  |
|         | 161             | 1 610,0                 | 5,0            | 2,5            | 10,0 | 7,30  | 50                | PHG AT10-1610-... |                  |
|         | 180             | 1 800,0                 | 5,0            | 2,5            | 10,0 | 7,30  | 50                | PHG AT10-1800-... |                  |
|         | 194             | 1 940,0                 | 5,0            | 2,5            | 10,0 | 7,30  | 50                | PHG AT10-1940-... |                  |
|         | 200             | 2 000,0                 | 5,0            | 2,5            | 10,0 | 7,30  | 50                | PHG AT10-2000-... |                  |
|         | 225             | 2 250,0                 | 5,0            | 2,5            | 10,0 | 7,30  | 50                | PHG AT10-2250-... |                  |
|         | 240             | 2 400,0                 | 5,0            | 2,5            | 10,0 | 7,30  | 50                | PHG AT10-2400-... |                  |
|         | 259             | 2 590,0                 | 5,0            | 2,5            | 10,0 | 7,30  | 50                | PHG AT10-2590-... |                  |
|         | 288             | 2 880,0                 | 5,0            | 2,5            | 10,0 | 7,30  | 50                | PHG AT10-2880-... |                  |
|         | 308             | 3 080,0                 | 5,0            | 2,5            | 10,0 | 7,30  | 50                | PHG AT10-3080-... |                  |
|         | 315             | 3 150,0                 | 5,0            | 2,5            | 10,0 | 7,30  | 50                | PHG AT10-3150-... |                  |
|         | 334             | 3 340,0                 | 5,0            | 2,5            | 10,0 | 7,30  | 50                | PHG AT10-3340-... |                  |
| 403     | 4 030,0         | 5,0                     | 2,5            | 10,0           | 7,30 | 50    | PHG AT10-4030-... |                   |                  |
| AT20    | 50              | 1 000,0                 | 8,0            | 5,0            | 20,0 | 12,70 | 50                | PHG AT20-1000-... |                  |
|         | 55              | 1 100,0                 | 8,0            | 5,0            | 20,0 | 12,70 | 50                | PHG AT20-1100-... |                  |
|         | 85              | 1 700,0                 | 8,0            | 5,0            | 20,0 | 12,70 | 50                | PHG AT20-1700-... |                  |
|         | 95              | 1 900,0                 | 8,0            | 5,0            | 20,0 | 12,70 | 50                | PHG AT20-1900-... |                  |
|         | 118             | 2 360,0                 | 8,0            | 5,0            | 20,0 | 12,70 | 50                | PHG AT20-2360-... |                  |

Non-standard lengths may also be available.  
To complete designation add belt width in mm.  
Full sleeves are available in various widths. Please contact your SKF Authorized Distributor.

# SKF Double-sided Metric Timing Belts

D-T5



| Section | Number of teeth per side | Dimensions<br>Pitch length | Dimensions |     |      |     |       |          | Designation        |
|---------|--------------------------|----------------------------|------------|-----|------|-----|-------|----------|--------------------|
|         |                          |                            | $h_2$      | A   | B    | p   | $h_1$ | $\alpha$ |                    |
| mm      |                          |                            | °          |     |      |     |       |          |                    |
| D-T5    | 100                      | 500                        | 1,20       | 1,0 | 2,65 | 5,0 | 3,40  | 40       | PHG DB-T5-500-...  |
|         | 101                      | 505                        | 1,20       | 1,0 | 2,65 | 5,0 | 3,40  | 40       | PHG DB-T5-505-...  |
|         | 102                      | 510                        | 1,20       | 1,0 | 2,65 | 5,0 | 3,40  | 40       | PHG DB-T5-510-...  |
|         | 105                      | 525                        | 1,20       | 1,0 | 2,65 | 5,0 | 3,40  | 40       | PHG DB-T5-525-...  |
|         | 108                      | 540                        | 1,20       | 1,0 | 2,65 | 5,0 | 3,40  | 40       | PHG DB-T5-540-...  |
|         | 109                      | 545                        | 1,20       | 1,0 | 2,65 | 5,0 | 3,40  | 40       | PHG DB-T5-545-...  |
|         | 110                      | 550                        | 1,20       | 1,0 | 2,65 | 5,0 | 3,40  | 40       | PHG DB-T5-550-...  |
|         | 112                      | 560                        | 1,20       | 1,0 | 2,65 | 5,0 | 3,40  | 40       | PHG DB-T5-560-...  |
|         | 114                      | 570                        | 1,20       | 1,0 | 2,65 | 5,0 | 3,40  | 40       | PHG DB-T5-570-...  |
|         | 115                      | 575                        | 1,20       | 1,0 | 2,65 | 5,0 | 3,40  | 40       | PHG DB-T5-575-...  |
|         | 116                      | 580                        | 1,20       | 1,0 | 2,65 | 5,0 | 3,40  | 40       | PHG DB-T5-580-...  |
|         | 117                      | 585                        | 1,20       | 1,0 | 2,65 | 5,0 | 3,40  | 40       | PHG DB-T5-585-...  |
|         | 120                      | 600                        | 1,20       | 1,0 | 2,65 | 5,0 | 3,40  | 40       | PHG DB-T5-600-...  |
|         | 122                      | 610                        | 1,20       | 1,0 | 2,65 | 5,0 | 3,40  | 40       | PHG DB-T5-610-...  |
|         | 124                      | 620                        | 1,20       | 1,0 | 2,65 | 5,0 | 3,40  | 40       | PHG DB-T5-620-...  |
|         | 126                      | 630                        | 1,20       | 1,0 | 2,65 | 5,0 | 3,40  | 40       | PHG DB-T5-630-...  |
|         | 127                      | 635                        | 1,20       | 1,0 | 2,65 | 5,0 | 3,40  | 40       | PHG DB-T5-635-...  |
|         | 130                      | 650                        | 1,20       | 1,0 | 2,65 | 5,0 | 3,40  | 40       | PHG DB-T5-650-...  |
|         | 133                      | 665                        | 1,20       | 1,0 | 2,65 | 5,0 | 3,40  | 40       | PHG DB-T5-665-...  |
|         | 135                      | 675                        | 1,20       | 1,0 | 2,65 | 5,0 | 3,40  | 40       | PHG DB-T5-675-...  |
|         | 137                      | 685                        | 1,20       | 1,0 | 2,65 | 5,0 | 3,40  | 40       | PHG DB-T5-685-...  |
|         | 138                      | 690                        | 1,20       | 1,0 | 2,65 | 5,0 | 3,40  | 40       | PHG DB-T5-690-...  |
|         | 140                      | 700                        | 1,20       | 1,0 | 2,65 | 5,0 | 3,40  | 40       | PHG DB-T5-700-...  |
|         | 142                      | 710                        | 1,20       | 1,0 | 2,65 | 5,0 | 3,40  | 40       | PHG DB-T5-710-...  |
|         | 144                      | 720                        | 1,20       | 1,0 | 2,65 | 5,0 | 3,40  | 40       | PHG DB-T5-720-...  |
|         | 145                      | 725                        | 1,20       | 1,0 | 2,65 | 5,0 | 3,40  | 40       | PHG DB-T5-725-...  |
|         | 148                      | 740                        | 1,20       | 1,0 | 2,65 | 5,0 | 3,40  | 40       | PHG DB-T5-740-...  |
|         | 150                      | 750                        | 1,20       | 1,0 | 2,65 | 5,0 | 3,40  | 40       | PHG DB-T5-750-...  |
|         | 156                      | 780                        | 1,20       | 1,0 | 2,65 | 5,0 | 3,40  | 40       | PHG DB-T5-780-...  |
|         | 158                      | 790                        | 1,20       | 1,0 | 2,65 | 5,0 | 3,40  | 40       | PHG DB-T5-790-...  |
|         | 160                      | 800                        | 1,20       | 1,0 | 2,65 | 5,0 | 3,40  | 40       | PHG DB-T5-800-...  |
|         | 161                      | 805                        | 1,20       | 1,0 | 2,65 | 5,0 | 3,40  | 40       | PHG DB-T5-805-...  |
|         | 162                      | 810                        | 1,20       | 1,0 | 2,65 | 5,0 | 3,40  | 40       | PHG DB-T5-810-...  |
|         | 163                      | 815                        | 1,20       | 1,0 | 2,65 | 5,0 | 3,40  | 40       | PHG DB-T5-815-...  |
|         | 168                      | 840                        | 1,20       | 1,0 | 2,65 | 5,0 | 3,40  | 40       | PHG DB-T5-840-...  |
|         | 170                      | 850                        | 1,20       | 1,0 | 2,65 | 5,0 | 3,40  | 40       | PHG DB-T5-850-...  |
|         | 172                      | 860                        | 1,20       | 1,0 | 2,65 | 5,0 | 3,40  | 40       | PHG DB-T5-860-...  |
|         | 180                      | 900                        | 1,20       | 1,0 | 2,65 | 5,0 | 3,40  | 40       | PHG DB-T5-900-...  |
|         | 188                      | 940                        | 1,20       | 1,0 | 2,65 | 5,0 | 3,40  | 40       | PHG DB-T5-940-...  |
|         | 198                      | 990                        | 1,20       | 1,0 | 2,65 | 5,0 | 3,40  | 40       | PHG DB-T5-990-...  |
|         | 199                      | 995                        | 1,20       | 1,0 | 2,65 | 5,0 | 3,40  | 40       | PHG DB-T5-995-...  |
|         | 200                      | 1 000                      | 1,20       | 1,0 | 2,65 | 5,0 | 3,40  | 40       | PHG DB-T5-1000-... |
|         | 204                      | 1 020                      | 1,20       | 1,0 | 2,65 | 5,0 | 3,40  | 40       | PHG DB-T5-1020-... |
|         | 206                      | 1 030                      | 1,20       | 1,0 | 2,65 | 5,0 | 3,40  | 40       | PHG DB-T5-1030-... |
|         | 209                      | 1 045                      | 1,20       | 1,0 | 2,65 | 5,0 | 3,40  | 40       | PHG DB-T5-1045-... |
|         | 210                      | 1 050                      | 1,20       | 1,0 | 2,65 | 5,0 | 3,40  | 40       | PHG DB-T5-1050-... |
|         | 212                      | 1 060                      | 1,20       | 1,0 | 2,65 | 5,0 | 3,40  | 40       | PHG DB-T5-1060-... |
|         | 215                      | 1 075                      | 1,20       | 1,0 | 2,65 | 5,0 | 3,40  | 40       | PHG DB-T5-1075-... |
|         | 220                      | 1 100                      | 1,20       | 1,0 | 2,65 | 5,0 | 3,40  | 40       | PHG DB-T5-1100-... |
|         | 224                      | 1 120                      | 1,20       | 1,0 | 2,65 | 5,0 | 3,40  | 40       | PHG DB-T5-1120-... |
|         | 228                      | 1 140                      | 1,20       | 1,0 | 2,65 | 5,0 | 3,40  | 40       | PHG DB-T5-1140-... |
|         | 240                      | 1 200                      | 1,20       | 1,0 | 2,65 | 5,0 | 3,40  | 40       | PHG DB-T5-1200-... |
|         | 243                      | 1 215                      | 1,20       | 1,0 | 2,65 | 5,0 | 3,40  | 40       | PHG DB-T5-1215-... |
|         | 252                      | 1 260                      | 1,20       | 1,0 | 2,65 | 5,0 | 3,40  | 40       | PHG DB-T5-1260-... |
|         | 254                      | 1 270                      | 1,20       | 1,0 | 2,65 | 5,0 | 3,40  | 40       | PHG DB-T5-1270-... |

Non-standard lengths may also be available.

To complete designation add belt width in mm.

Double-sided metric belts are available in symmetric (DA) and asymmetric (DB) tooth profiles. Symmetric will be supplied unless otherwise specified.

Full sleeves are available in various widths. Please contact your SKF Authorized Distributor.

# SKF Double-sided Metric Timing Belts

D-T5 | D-T10

| Section | Number of teeth per side | Dimensions<br>Pitch length | Dimensions |      |      |      |       |                     | Designation         |
|---------|--------------------------|----------------------------|------------|------|------|------|-------|---------------------|---------------------|
|         |                          |                            | $h_2$      | A    | B    | p    | $h_1$ | $\alpha$            |                     |
| –       | –                        | mm                         |            |      |      |      |       | °                   | –                   |
| D-T5    | 255                      | 1 275                      | 1,20       | 1,0  | 2,65 | 5,0  | 3,40  | 40                  | PHG DB-T5-1275-...  |
|         | 260                      | 1 300                      | 1,20       | 1,0  | 2,65 | 5,0  | 3,40  | 40                  | PHG DB-T5-1300-...  |
|         | 265                      | 1 325                      | 1,20       | 1,0  | 2,65 | 5,0  | 3,40  | 40                  | PHG DB-T5-1325-...  |
|         | 276                      | 1 380                      | 1,20       | 1,0  | 2,65 | 5,0  | 3,40  | 40                  | PHG DB-T5-1380-...  |
|         | 278                      | 1 390                      | 1,20       | 1,0  | 2,65 | 5,0  | 3,40  | 40                  | PHG DB-T5-1390-...  |
|         | 283                      | 1 415                      | 1,20       | 1,0  | 2,65 | 5,0  | 3,40  | 40                  | PHG DB-T5-1415-...  |
| D-T10   | 90                       | 900                        | 2,50       | 2,0  | 5,30 | 10,0 | 7,00  | 40                  | PHG DB-T10-900-...  |
|         | 91                       | 910                        | 2,50       | 2,0  | 5,30 | 10,0 | 7,00  | 40                  | PHG DB-T10-910-...  |
|         | 92                       | 920                        | 2,50       | 2,0  | 5,30 | 10,0 | 7,00  | 40                  | PHG DB-T10-920-...  |
|         | 95                       | 950                        | 2,50       | 2,0  | 5,30 | 10,0 | 7,00  | 40                  | PHG DB-T10-950-...  |
|         | 95                       | 950                        | 2,50       | 2,0  | 5,30 | 10,0 | 7,00  | 40                  | PHG DB-T10-950-...  |
|         | 96                       | 960                        | 2,50       | 2,0  | 5,30 | 10,0 | 7,00  | 40                  | PHG DB-T10-960-...  |
|         | 97                       | 970                        | 2,50       | 2,0  | 5,30 | 10,0 | 7,00  | 40                  | PHG DB-T10-970-...  |
|         | 98                       | 980                        | 2,50       | 2,0  | 5,30 | 10,0 | 7,00  | 40                  | PHG DB-T10-980-...  |
|         | 100                      | 1 000                      | 2,50       | 2,0  | 5,30 | 10,0 | 7,00  | 40                  | PHG DB-T10-1000-... |
|         | 101                      | 1 010                      | 2,50       | 2,0  | 5,30 | 10,0 | 7,00  | 40                  | PHG DB-T10-1010-... |
|         | 103                      | 1 030                      | 2,50       | 2,0  | 5,30 | 10,0 | 7,00  | 40                  | PHG DB-T10-1030-... |
|         | 104                      | 1 040                      | 2,50       | 2,0  | 5,30 | 10,0 | 7,00  | 40                  | PHG DB-T10-1040-... |
|         | 105                      | 1 050                      | 2,50       | 2,0  | 5,30 | 10,0 | 7,00  | 40                  | PHG DB-T10-1050-... |
|         | 108                      | 1 080                      | 2,50       | 2,0  | 5,30 | 10,0 | 7,00  | 40                  | PHG DB-T10-1080-... |
|         | 110                      | 1 100                      | 2,50       | 2,0  | 5,30 | 10,0 | 7,00  | 40                  | PHG DB-T10-1100-... |
|         | 111                      | 1 110                      | 2,50       | 2,0  | 5,30 | 10,0 | 7,00  | 40                  | PHG DB-T10-1110-... |
|         | 114                      | 1 140                      | 2,50       | 2,0  | 5,30 | 10,0 | 7,00  | 40                  | PHG DB-T10-1140-... |
|         | 115                      | 1 150                      | 2,50       | 2,0  | 5,30 | 10,0 | 7,00  | 40                  | PHG DB-T10-1150-... |
|         | 120                      | 1 200                      | 2,50       | 2,0  | 5,30 | 10,0 | 7,00  | 40                  | PHG DB-T10-1200-... |
|         | 121                      | 1 210                      | 2,50       | 2,0  | 5,30 | 10,0 | 7,00  | 40                  | PHG DB-T10-1210-... |
|         | 124                      | 1 240                      | 2,50       | 2,0  | 5,30 | 10,0 | 7,00  | 40                  | PHG DB-T10-1240-... |
|         | 125                      | 1 250                      | 2,50       | 2,0  | 5,30 | 10,0 | 7,00  | 40                  | PHG DB-T10-1250-... |
|         | 126                      | 1 260                      | 2,50       | 2,0  | 5,30 | 10,0 | 7,00  | 40                  | PHG DB-T10-1260-... |
|         | 128                      | 1 280                      | 2,50       | 2,0  | 5,30 | 10,0 | 7,00  | 40                  | PHG DB-T10-1280-... |
|         | 130                      | 1 300                      | 2,50       | 2,0  | 5,30 | 10,0 | 7,00  | 40                  | PHG DB-T10-1300-... |
|         | 132                      | 1 320                      | 2,50       | 2,0  | 5,30 | 10,0 | 7,00  | 40                  | PHG DB-T10-1320-... |
|         | 135                      | 1 350                      | 2,50       | 2,0  | 5,30 | 10,0 | 7,00  | 40                  | PHG DB-T10-1350-... |
|         | 139                      | 1 390                      | 2,50       | 2,0  | 5,30 | 10,0 | 7,00  | 40                  | PHG DB-T10-1390-... |
|         | 140                      | 1 400                      | 2,50       | 2,0  | 5,30 | 10,0 | 7,00  | 40                  | PHG DB-T10-1400-... |
|         | 142                      | 1 420                      | 2,50       | 2,0  | 5,30 | 10,0 | 7,00  | 40                  | PHG DB-T10-1420-... |
|         | 144                      | 1 440                      | 2,50       | 2,0  | 5,30 | 10,0 | 7,00  | 40                  | PHG DB-T10-1440-... |
|         | 145                      | 1 450                      | 2,50       | 2,0  | 5,30 | 10,0 | 7,00  | 40                  | PHG DB-T10-1450-... |
|         | 146                      | 1 460                      | 2,50       | 2,0  | 5,30 | 10,0 | 7,00  | 40                  | PHG DB-T10-1460-... |
|         | 148                      | 1 480                      | 2,50       | 2,0  | 5,30 | 10,0 | 7,00  | 40                  | PHG DB-T10-1480-... |
|         | 150                      | 1 500                      | 2,50       | 2,0  | 5,30 | 10,0 | 7,00  | 40                  | PHG DB-T10-1500-... |
|         | 152                      | 1 520                      | 2,50       | 2,0  | 5,30 | 10,0 | 7,00  | 40                  | PHG DB-T10-1520-... |
|         | 156                      | 1 560                      | 2,50       | 2,0  | 5,30 | 10,0 | 7,00  | 40                  | PHG DB-T10-1560-... |
|         | 160                      | 1 600                      | 2,50       | 2,0  | 5,30 | 10,0 | 7,00  | 40                  | PHG DB-T10-1600-... |
|         | 161                      | 1 610                      | 2,50       | 2,0  | 5,30 | 10,0 | 7,00  | 40                  | PHG DB-T10-1610-... |
|         | 164                      | 1 640                      | 2,50       | 2,0  | 5,30 | 10,0 | 7,00  | 40                  | PHG DB-T10-1640-... |
|         | 164                      | 1 640                      | 2,50       | 2,0  | 5,30 | 10,0 | 7,00  | 40                  | PHG DB-T10-1640-... |
|         | 169                      | 1 690                      | 2,50       | 2,0  | 5,30 | 10,0 | 7,00  | 40                  | PHG DB-T10-1690-... |
|         | 170                      | 1 700                      | 2,50       | 2,0  | 5,30 | 10,0 | 7,00  | 40                  | PHG DB-T10-1700-... |
|         | 175                      | 1 750                      | 2,50       | 2,0  | 5,30 | 10,0 | 7,00  | 40                  | PHG DB-T10-1750-... |
|         | 178                      | 1 780                      | 2,50       | 2,0  | 5,30 | 10,0 | 7,00  | 40                  | PHG DB-T10-1780-... |
|         | 180                      | 1 800                      | 2,50       | 2,0  | 5,30 | 10,0 | 7,00  | 40                  | PHG DB-T10-1800-... |
|         | 186                      | 1 860                      | 2,50       | 2,0  | 5,30 | 10,0 | 7,00  | 40                  | PHG DB-T10-1860-... |
|         | 188                      | 1 880                      | 2,50       | 2,0  | 5,30 | 10,0 | 7,00  | 40                  | PHG DB-T10-1880-... |
|         | 196                      | 1 960                      | 2,50       | 2,0  | 5,30 | 10,0 | 7,00  | 40                  | PHG DB-T10-1960-... |
|         | 198                      | 1 980                      | 2,50       | 2,0  | 5,30 | 10,0 | 7,00  | 40                  | PHG DB-T10-1980-... |
| 202     | 2 020                    | 2,50                       | 2,0        | 5,30 | 10,0 | 7,00 | 40    | PHG DB-T10-2020-... |                     |
| 208     | 2 080                    | 2,50                       | 2,0        | 5,30 | 10,0 | 7,00 | 40    | PHG DB-T10-2080-... |                     |
| 209     | 2 090                    | 2,50                       | 2,0        | 5,30 | 10,0 | 7,00 | 40    | PHG DB-T10-2090-... |                     |
| 210     | 2 100                    | 2,50                       | 2,0        | 5,30 | 10,0 | 7,00 | 40    | PHG DB-T10-2100-... |                     |
| 220     | 2 200                    | 2,50                       | 2,0        | 5,30 | 10,0 | 7,00 | 40    | PHG DB-T10-2200-... |                     |
| 225     | 2 250                    | 2,50                       | 2,0        | 5,30 | 10,0 | 7,00 | 40    | PHG DB-T10-2250-... |                     |
| 227     | 2 270                    | 2,50                       | 2,0        | 5,30 | 10,0 | 7,00 | 40    | PHG DB-T10-2270-... |                     |
| 230     | 2 300                    | 2,50                       | 2,0        | 5,30 | 10,0 | 7,00 | 40    | PHG DB-T10-2300-... |                     |
| 234     | 2 340                    | 2,50                       | 2,0        | 5,30 | 10,0 | 7,00 | 40    | PHG DB-T10-2340-... |                     |
| 236     | 2 360                    | 2,50                       | 2,0        | 5,30 | 10,0 | 7,00 | 40    | PHG DB-T10-2360-... |                     |
| 238     | 2 380                    | 2,50                       | 2,0        | 5,30 | 10,0 | 7,00 | 40    | PHG DB-T10-2380-... |                     |
| 243     | 2 430                    | 2,50                       | 2,0        | 5,30 | 10,0 | 7,00 | 40    | PHG DB-T10-2430-... |                     |
| 248     | 2 480                    | 2,50                       | 2,0        | 5,30 | 10,0 | 7,00 | 40    | PHG DB-T10-2480-... |                     |
| 250     | 2 500                    | 2,50                       | 2,0        | 5,30 | 10,0 | 7,00 | 40    | PHG DB-T10-2500-... |                     |
| 254     | 2 540                    | 2,50                       | 2,0        | 5,30 | 10,0 | 7,00 | 40    | PHG DB-T10-2540-... |                     |
| 259     | 2 590                    | 2,50                       | 2,0        | 5,30 | 10,0 | 7,00 | 40    | PHG DB-T10-2590-... |                     |
| 260     | 2 600                    | 2,50                       | 2,0        | 5,30 | 10,0 | 7,00 | 40    | PHG DB-T10-2600-... |                     |
| 261     | 2 610                    | 2,50                       | 2,0        | 5,30 | 10,0 | 7,00 | 40    | PHG DB-T10-2610-... |                     |
| 265     | 2 650                    | 2,50                       | 2,0        | 5,30 | 10,0 | 7,00 | 40    | PHG DB-T10-2650-... |                     |
| 280     | 2 800                    | 2,50                       | 2,0        | 5,30 | 10,0 | 7,00 | 40    | PHG DB-T10-2800-... |                     |

Non-standard lengths may also be available.

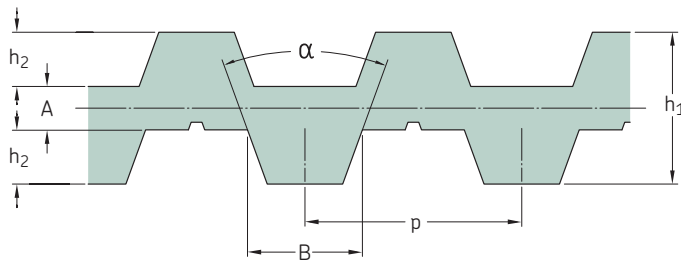
To complete designation add belt width in mm.

Double-sided metric belts are available in symmetric (DA) and asymmetric (DB) tooth profiles. Symmetric will be supplied unless otherwise specified.

Full sleeves are available in various widths. Please contact your SKF Authorized Distributor.

# SKF Double-sided Metric Timing Belts

D-T10 | D-T20



| Section | Number of teeth per side | Dimensions Pitch length | Dimensions |     |       |      |       |          | Designation         |
|---------|--------------------------|-------------------------|------------|-----|-------|------|-------|----------|---------------------|
|         |                          |                         | $h_2$      | A   | B     | p    | $h_1$ | $\alpha$ |                     |
| –       | –                        | mm                      |            |     |       |      |       | °        | –                   |
| D-T10   | 288                      | 2 880                   | 2,50       | 2,0 | 5,30  | 10,0 | 7,00  | 40       | PHG DB-T10-2880-... |
|         | 300                      | 3 000                   | 2,50       | 2,0 | 5,30  | 10,0 | 7,00  | 40       | PHG DB-T10-3000-... |
| D-T20   | 85                       | 1 700                   | 5,00       | 3,0 | 10,15 | 20,0 | 13,00 | 40       | PHG DB-T20-1700-... |
|         | 89                       | 1 780                   | 5,00       | 3,0 | 10,15 | 20,0 | 13,00 | 40       | PHG DB-T20-1780-... |
|         | 94                       | 1 880                   | 5,00       | 3,0 | 10,15 | 20,0 | 13,00 | 40       | PHG DB-T20-1880-... |
|         | 102                      | 2 040                   | 5,00       | 3,0 | 10,15 | 20,0 | 13,00 | 40       | PHG DB-T20-2040-... |
|         | 110                      | 2 200                   | 5,00       | 3,0 | 10,15 | 20,0 | 13,00 | 40       | PHG DB-T20-2200-... |
|         | 112                      | 2 240                   | 5,00       | 3,0 | 10,15 | 20,0 | 13,00 | 40       | PHG DB-T20-2240-... |
|         | 130                      | 2 600                   | 5,00       | 3,0 | 10,15 | 20,0 | 13,00 | 40       | PHG DB-T20-2600-... |
|         | 136                      | 2 720                   | 5,00       | 3,0 | 10,15 | 20,0 | 13,00 | 40       | PHG DB-T20-2720-... |
|         | 137                      | 2 740                   | 5,00       | 3,0 | 10,15 | 20,0 | 13,00 | 40       | PHG DB-T20-2740-... |
|         | 138                      | 2 760                   | 5,00       | 3,0 | 10,15 | 20,0 | 13,00 | 40       | PHG DB-T20-2760-... |
|         | 155                      | 3 100                   | 5,00       | 3,0 | 10,15 | 20,0 | 13,00 | 40       | PHG DB-T20-3100-... |
|         | 181                      | 3 620                   | 5,00       | 3,0 | 10,15 | 20,0 | 13,00 | 40       | PHG DB-T20-3620-... |
|         | 238                      | 4 760                   | 5,00       | 3,0 | 10,15 | 20,0 | 13,00 | 40       | PHG DB-T20-4760-... |
|         | 250                      | 5 000                   | 5,00       | 3,0 | 10,15 | 20,0 | 13,00 | 40       | PHG DB-T20-5000-... |

Non-standard lengths may also be available.

To complete designation add belt width in mm.

Double-sided metric belts are available in symmetric (DA) and asymmetric (DB) tooth profiles. Symmetric will be supplied unless otherwise specified.



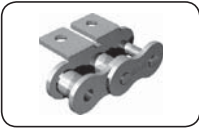


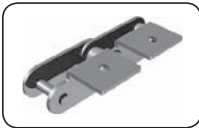
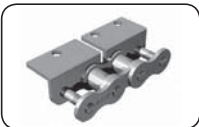





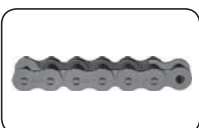


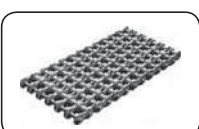


Full sleeves are available in various widths. Please contact your SKF Authorized Distributor.







# Chains

|                                                                                     |                                                                   |    |                                                                                      |                                                           |    |
|-------------------------------------------------------------------------------------|-------------------------------------------------------------------|----|--------------------------------------------------------------------------------------|-----------------------------------------------------------|----|
|    | Roller chains . . . . .                                           | 78 |    | Double pitch chains Transmission attachments. . . . .     | 91 |
|    | Roller chain attachments A-1, K-1. . . . .                        | 80 |    | Conveyor chains C series . . . . .                        | 92 |
|    | Roller chain attachments SA-1/M1, SK-1/M1. . . . .                | 81 |    | Conveyor chain C series attachments. . . . .              | 93 |
|    | Roller chain attachments WA-1, WA-2, WK-1, WK-2 . . . . .         | 82 |    | Conveyor chains M series. . . . .                         | 95 |
|   | Roller chain attachments WSA-1, WSA-2, WSK-1, WSK-2 . . . . .     | 83 |   | Conveyor chains Lumber mill series, 3939 series . . . . . | 96 |
|  | SKF Xtra Strength Chains. . . . .                                 | 84 |  | Silent chains . . . . .                                   | 97 |
|  | SKF Xtra Corrosion Resistant Chains . . . . .                     | 86 |  | Leaf chains. . . . .                                      | 98 |
|  | Roller chains Side bow, SKF Xtra Performance SLR Chains . . . . . | 87 |                                                                                      |                                                           |    |
|  | Oil field chains . . . . .                                        | 88 |                                                                                      |                                                           |    |
|  | Straight side plate chains. . . . .                               | 89 |                                                                                      |                                                           |    |
|  | Double pitch chains . . . . .                                     | 90 |                                                                                      |                                                           |    |

## SKF Chains

SKF chain range nomenclature has a defined prefix of PHC. All standardized chains we produce conform to conventional basic part number format – ISO, BS, or DIN.

## Roller Chains

The Roller chains designation format is constant through the range, with the following example to indicate set up.

### SKF Designation prefix

PHC 80 - 1 C X10FT

#### Chain type

ANSI – 25 -240  
BS – 05B- 72B

#### No of strands

Simplex– single (-1), Duplex - double (-2)  
Triplex – triple (-3)

#### Supplementary

Many different supplementary designations, examples  
C- cottered type  
SS – stainless steel  
C/L – connector link

#### Note

See SKF product training for full supplementary notations

#### Chain length

Standard box – 10FT or 5MTR  
Non standard example – 164LINKS

## SKF Chains

SKF chain range nomenclature has a defined prefix of PHC. All standardized chains we produce conform to conventional basic part number format – ISO, BS, or DIN.

### Special chains – Leaf, Conveyor

The special and conveyor chains designation format is constant through the range, but there are very many combinations of materials, attachments and special considerations, the following is an example to indicate set up.

#### SKF Designation prefix

PHC C2080H - L1A2 X10FT

#### Chain type

Leaf – BL, AL, FL, LL  
Conveyor – C, M, FV, Z – variations based on hollow shafts, rollers and side plates heights  
\*note more chain types available. Check catalogue

#### Supplementary

Many different supplementary designations, examples  
C – cottered type  
SS – stainless steel  
C/L – connector link

#### Note

See SKF product training for full supplementary notations

#### Chain length

Standard length – 10FT or 5MTR  
Non standard example – 164LINKS

## Chains (PHC Product Group)

SKF chains completely conform to international standards (ISO) and other advanced industrial standards (i.e. ANSI and DIN) as shown below:

- Short pitch transmission precision roller chains are manufactured according to ISO 606-1994, ASME B29.1M-1993 and DIN 8187/DIN 8188
- Double pitch precision roller chains for transmission and conveyors are manufactured according to ISO 1275-1995, ASME B29.3M-1994/AMSE B29.4M-1994 and DIN 8181-2000
- Short pitch transmission precision bush chains are manufactured according to ISO 1395-1997, ASME B29.12M-1997 and DIN 8154/DIN 8164
- Steel roller chains/attachments (types S and C) are manufactured according to ISO 487-1998, ASME B29.19M-1996 and DIN 8169-1997
- Conveyor chains/attachments are manufactured according to ISO 1977-2000, ASME B29.15M-1997 and DIN 8165/DIN 8166/DIN 8167
- Heavy duty cranked link transmission chains are manufactured according to ISO 3512, ASME B29.10M-1997 and DIN 8182

- Leaf chains are manufactured according to ISO 4347-1992, ASME B29.8M-1983 and DIN 8152
- Welded steel type cranked link drag chains are manufactured according to ISO 6971-2002 and ASME B29.200-2001
- Welded steel type cranked link mill chains are manufactured according to ISO 6972-2002 and ASME B29.200-2001
- Silent chains are manufactured according to ASME B29.2M-1982 and DIN 8190
- Open barrel steel pintle type conveyor chains/attachments are manufactured according to ASME B29.25M-1994
- Oil field chains are manufactured according to API SPEC 7F-1993
- Hollow pin chains are manufactured according to ASME B29.27M-2001 and DIN 8168

Depending on the type and style, SKF conveyor chains comply with international standards such as DIN 8187, ISO 1977 and BS 4116 (Part IV).

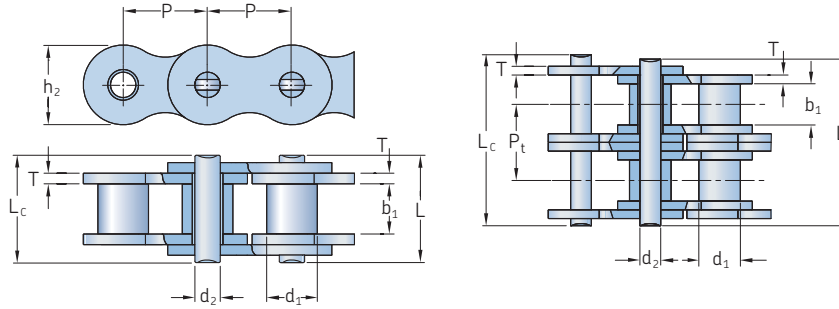
Other cast and steel chains comply with the relevant industry accepted standards for performance and dimensions.

#### Main materials used in the chain construction

|            |                                                          |
|------------|----------------------------------------------------------|
| Side Plate | 45Mn, 40Cr, 35CrMo, Premium carbon steel no. 45          |
| Roller     | Premium carbon steel no. 10, Premium carbon steel no. 45 |
| Bush       | 20Mn Premium carbon steel no. 20                         |
| Pin        | 35CrMo, GCr15, 30CrMnTi, 40Cr, 20CrMnMo                  |

# Roller chains

ANSI

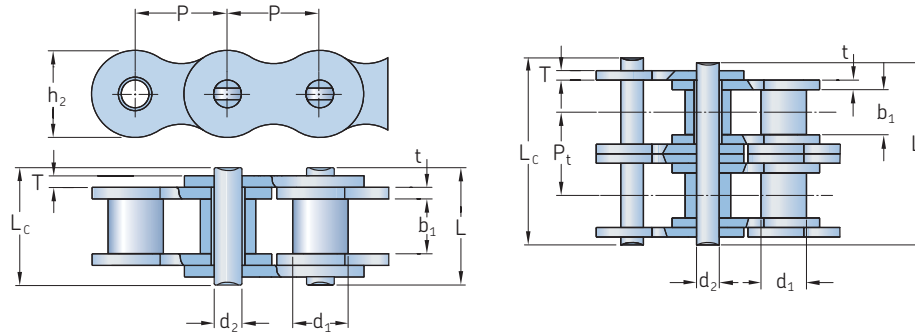


| ANSI Chain number  | BS/ISO Chain number | Dimensions |                                        | Width between inner plates<br>b <sub>1</sub> Min. | Pin diameter<br>d <sub>2</sub> Max. | Pin length |                     | Pin length cotted<br>L <sub>c</sub> Max. | Inner plate height<br>h <sub>2</sub> Max. | Plate thickness<br>T Max. | Transverse pitch<br>P <sub>t</sub> | Ultimate tensile strength<br>Q Min. | Average tensile strength<br>Q <sub>0</sub> | Mass per meter | Designation  |
|--------------------|---------------------|------------|----------------------------------------|---------------------------------------------------|-------------------------------------|------------|---------------------|------------------------------------------|-------------------------------------------|---------------------------|------------------------------------|-------------------------------------|--------------------------------------------|----------------|--------------|
|                    |                     | Pitch<br>P | Roller diameter<br>d <sub>1</sub> Max. |                                                   |                                     | L Max.     | L <sub>c</sub> Max. |                                          |                                           |                           |                                    |                                     |                                            |                |              |
| mm                 |                     |            |                                        |                                                   |                                     |            |                     |                                          |                                           |                           |                                    |                                     |                                            |                |              |
| 15-1 <sup>1)</sup> | 03C <sup>1)</sup>   | 4,76       | 2,48                                   | 2,38                                              | 1,62                                | 6,10       | 6,90                | -                                        | 4,30                                      | 0,60                      | -                                  | 1,8                                 | 2,0                                        | 0,08           | PHC 15-1...  |
| 25-1 <sup>1)</sup> | 04C-1 <sup>1)</sup> | 6,35       | 3,30                                   | 3,18                                              | 2,31                                | 7,90       | 8,40                | -                                        | 6,00                                      | 0,80                      | -                                  | 3,5                                 | 4,6                                        | 0,15           | PHC 25-1...  |
| 35-1 <sup>1)</sup> | 06C-1 <sup>1)</sup> | 9,53       | 5,08                                   | 4,77                                              | 3,58                                | 12,40      | 13,17               | -                                        | 9,00                                      | 1,30                      | -                                  | 7,9                                 | 10,8                                       | 0,33           | PHC 35-1...  |
| 41-1               | 085-1               | 12,70      | 7,77                                   | 6,25                                              | 3,58                                | 13,75      | 15,00               | -                                        | 9,91                                      | 1,30                      | -                                  | 6,7                                 | 12,6                                       | 0,41           | PHC 41-1...  |
| 40-1               | 08A-1               | 12,70      | 7,95                                   | 7,85                                              | 3,96                                | 16,60      | 17,80               | -                                        | 12,00                                     | 1,50                      | -                                  | 14,1                                | 17,5                                       | 0,62           | PHC 40-1...  |
| 50-1               | 10A-1               | 15,88      | 10,16                                  | 9,40                                              | 5,08                                | 20,70      | 22,20               | 23,3                                     | 15,09                                     | 2,03                      | -                                  | 22,2                                | 29,4                                       | 1,02           | PHC 50-1...  |
| 60-1               | 12A-1               | 19,05      | 11,91                                  | 12,57                                             | 5,94                                | 25,90      | 27,70               | 28,3                                     | 18,00                                     | 2,42                      | -                                  | 31,8                                | 41,5                                       | 1,50           | PHC 60-1...  |
| 80-1               | 16A-1               | 25,40      | 15,88                                  | 15,75                                             | 7,92                                | 32,70      | 35,00               | 36,5                                     | 24,00                                     | 3,25                      | -                                  | 56,7                                | 69,4                                       | 2,60           | PHC 80-1...  |
| 100-1              | 20A-1               | 31,75      | 19,05                                  | 18,90                                             | 9,53                                | 40,40      | 44,70               | 44,7                                     | 30,00                                     | 4,00                      | -                                  | 88,5                                | 109,2                                      | 3,91           | PHC 100-1... |
| 120-1              | 24A-1               | 38,10      | 22,23                                  | 25,22                                             | 11,10                               | 50,30      | 54,30               | 54,3                                     | 35,70                                     | 4,80                      | -                                  | 127,0                               | 156,3                                      | 5,62           | PHC 120-1... |
| 140-1              | 28A-1               | 44,45      | 25,40                                  | 25,22                                             | 12,70                               | 54,40      | 59,00               | 59,0                                     | 41,00                                     | 5,60                      | -                                  | 172,4                               | 212,0                                      | 7,50           | PHC 140-1... |
| 160-1              | 32A-1               | 50,80      | 28,58                                  | 31,55                                             | 14,27                               | 64,80      | 69,60               | 69,6                                     | 47,80                                     | 6,40                      | -                                  | 226,8                               | 278,9                                      | 10,10          | PHC 160-1... |
| 180-1              | 36A-1               | 57,15      | 35,71                                  | 35,48                                             | 17,46                               | 72,80      | 78,60               | 78,6                                     | 53,60                                     | 7,20                      | -                                  | 280,2                               | 341,8                                      | 13,45          | PHC 180-1... |
| 200-1              | 40A-1               | 63,50      | 39,68                                  | 37,85                                             | 19,85                               | 80,30      | 87,20               | 87,2                                     | 60,00                                     | 8,00                      | -                                  | 353,8                               | 431,6                                      | 16,15          | PHC 200-1... |
| 240-1              | 48A-1               | 76,20      | 47,63                                  | 47,35                                             | 23,81                               | 95,50      | 103,00              | 103,0                                    | 72,39                                     | 9,50                      | -                                  | 510,3                               | 622,5                                      | 23,20          | PHC 240-1... |
| 25-2 <sup>1)</sup> | 04C-2 <sup>1)</sup> | 6,35       | 3,30                                   | 3,18                                              | 2,31                                | 14,50      | 15,00               | -                                        | 6,00                                      | 0,80                      | 6,40                               | 7,0                                 | 8,6                                        | 0,28           | PHC 25-2...  |
| 35-2 <sup>1)</sup> | 06C-2 <sup>1)</sup> | 9,53       | 5,08                                   | 4,77                                              | 3,58                                | 22,50      | 23,30               | -                                        | 9,00                                      | 1,30                      | 10,13                              | 15,8                                | 19,7                                       | 0,63           | PHC 35-2...  |
| 41-2               | 085-2               | 12,70      | 7,77                                   | 6,25                                              | 3,58                                | 25,70      | 26,90               | -                                        | 9,91                                      | 1,30                      | 11,95                              | 13,3                                | 16,9                                       | 0,81           | PHC 41-2...  |
| 40-2               | 08A-2               | 12,70      | 7,95                                   | 7,85                                              | 3,96                                | 31,00      | 32,20               | -                                        | 12,00                                     | 1,50                      | 14,38                              | 28,2                                | 35,9                                       | 1,12           | PHC 40-2...  |
| 50-2               | 10A-2               | 15,88      | 10,16                                  | 9,40                                              | 5,08                                | 38,90      | 40,40               | 41,2                                     | 15,09                                     | 2,03                      | 18,11                              | 44,4                                | 58,1                                       | 2,00           | PHC 50-2...  |
| 60-2               | 12A-2               | 19,05      | 11,91                                  | 12,57                                             | 5,94                                | 48,80      | 50,50               | 51,1                                     | 18,00                                     | 2,42                      | 22,78                              | 63,6                                | 82,1                                       | 2,92           | PHC 60-2...  |
| 80-2               | 16A-2               | 25,40      | 15,88                                  | 15,75                                             | 7,92                                | 62,70      | 64,30               | 65,8                                     | 24,00                                     | 3,25                      | 29,29                              | 113,4                               | 141,8                                      | 5,15           | PHC 80-2...  |
| 100-2              | 20A-2               | 31,75      | 19,05                                  | 18,90                                             | 9,53                                | 76,40      | 80,50               | 80,5                                     | 30,00                                     | 4,00                      | 35,76                              | 177,0                               | 219,4                                      | 7,80           | PHC 100-2... |
| 120-2              | 24A-2               | 38,10      | 22,23                                  | 25,22                                             | 11,10                               | 95,80      | 99,70               | 99,7                                     | 35,70                                     | 4,80                      | 45,44                              | 254,0                               | 314,9                                      | 11,70          | PHC 120-2... |
| 140-2              | 28A-2               | 44,45      | 25,40                                  | 25,22                                             | 12,70                               | 103,30     | 107,90              | 107,9                                    | 41,00                                     | 5,60                      | 48,87                              | 344,8                               | 427,5                                      | 15,14          | PHC 140-2... |
| 160-2              | 32A-2               | 50,80      | 28,58                                  | 31,55                                             | 14,27                               | 123,30     | 128,10              | 128,1                                    | 47,80                                     | 6,40                      | 58,55                              | 453,6                               | 562,4                                      | 20,14          | PHC 160-2... |
| 180-2              | 36A-2               | 57,15      | 35,71                                  | 35,48                                             | 17,46                               | 138,60     | 144,40              | 144,4                                    | 53,60                                     | 7,20                      | 65,84                              | 560,5                               | 695,0                                      | 29,22          | PHC 180-2... |
| 200-2              | 40A-2               | 63,50      | 39,68                                  | 37,85                                             | 19,85                               | 151,90     | 158,80              | 158,8                                    | 60,00                                     | 8,00                      | 71,55                              | 707,6                               | 877,4                                      | 32,24          | PHC 200-2... |
| 240-2              | 48A-2               | 76,20      | 47,63                                  | 47,35                                             | 23,81                               | 183,40     | 190,80              | 190,8                                    | 72,39                                     | 9,50                      | 87,83                              | 1 020,6                             | 1 255,3                                    | 45,23          | PHC 240-2... |
| 25-3 <sup>1)</sup> | 04C-3 <sup>1)</sup> | 6,35       | 3,30                                   | 3,18                                              | 2,31                                | 21,00      | 21,50               | -                                        | 6,00                                      | 0,80                      | 6,40                               | 10,5                                | 12,6                                       | 0,44           | PHC 25-3...  |
| 35-3 <sup>1)</sup> | 06C-3 <sup>1)</sup> | 9,53       | 5,08                                   | 4,77                                              | 3,58                                | 32,70      | 33,50               | -                                        | 9,00                                      | 1,30                      | 10,13                              | 23,7                                | 28,6                                       | 1,05           | PHC 35-3...  |
| 40-3               | 08A-3               | 12,70      | 7,95                                   | 7,85                                              | 3,96                                | 45,40      | 46,60               | -                                        | 12,00                                     | 1,50                      | 14,38                              | 42,3                                | 50,0                                       | 1,90           | PHC 40-3...  |
| 50-3               | 10A-3               | 15,88      | 10,16                                  | 9,40                                              | 5,08                                | 57,00      | 58,50               | 59,3                                     | 15,09                                     | 2,03                      | 18,11                              | 66,6                                | 77,8                                       | 3,09           | PHC 50-3...  |
| 60-3               | 12A-3               | 19,05      | 11,91                                  | 12,57                                             | 5,94                                | 71,50      | 73,30               | 73,9                                     | 18,00                                     | 2,42                      | 22,78                              | 95,4                                | 111,1                                      | 4,54           | PHC 60-3...  |
| 80-3               | 16A-3               | 25,40      | 15,88                                  | 15,75                                             | 7,92                                | 91,70      | 93,60               | 95,1                                     | 24,00                                     | 3,25                      | 29,29                              | 170,1                               | 198,4                                      | 7,89           | PHC 80-3...  |
| 100-3              | 20A-3               | 31,75      | 19,05                                  | 18,90                                             | 9,53                                | 112,20     | 116,30              | 116,3                                    | 30,00                                     | 4,00                      | 35,76                              | 265,5                               | 309,6                                      | 11,77          | PHC 100-3... |
| 120-3              | 24A-3               | 38,10      | 22,23                                  | 25,22                                             | 11,10                               | 141,40     | 145,20              | 145,2                                    | 35,70                                     | 4,80                      | 45,44                              | 381,0                               | 437,2                                      | 17,53          | PHC 120-3... |
| 140-3              | 28A-3               | 44,45      | 25,40                                  | 25,22                                             | 12,70                               | 152,20     | 156,80              | 156,8                                    | 41,00                                     | 5,60                      | 48,87                              | 517,2                               | 593,3                                      | 22,20          | PHC 140-3... |
| 160-3              | 32A-3               | 50,80      | 28,58                                  | 31,55                                             | 14,27                               | 181,80     | 186,60              | 186,6                                    | 47,80                                     | 6,40                      | 58,55                              | 680,4                               | 780,6                                      | 30,02          | PHC 160-3... |
| 180-3              | 36A-3               | 57,15      | 35,71                                  | 35,48                                             | 17,46                               | 204,40     | 210,20              | 210,2                                    | 53,60                                     | 7,20                      | 65,84                              | 840,7                               | 983,6                                      | 38,22          | PHC 180-3... |
| 200-3              | 40A-3               | 63,50      | 39,68                                  | 37,85                                             | 19,85                               | 223,50     | 230,40              | 230,4                                    | 60,00                                     | 8,00                      | 71,55                              | 1 061,4                             | 1 217,8                                    | 49,03          | PHC 200-3... |
| 240-3              | 48A-3               | 76,20      | 47,63                                  | 47,35                                             | 23,81                               | 271,30     | 278,60              | 278,6                                    | 72,39                                     | 9,50                      | 87,83                              | 1 530,9                             | 1 756,5                                    | 71,60          | PHC 240-3... |

<sup>1)</sup> Bushing chain: d<sub>1</sub> indicates external diameter of bushing.  
Standard lengths are 10 ft. and 5 m. To complete designation, add chain length. For example, a 10 ft. box of 140-1 is PHC 140-1X10FT.  
One connecting link is contained per chain. For additional links, add "C/L" for connecting and "O/L" for "offset" to the designation.  
For cotted, add a "C" after the number of strands. For example, 140-1 with a cotted pin is designated PHC 140-1C...

# Roller chains

BS/ISO



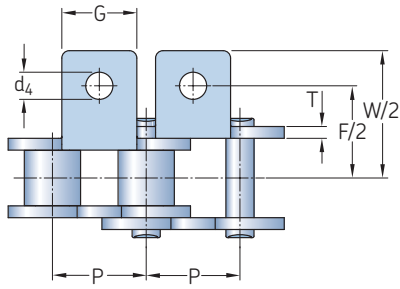
| BS/ISO Chain number | Dimensions   |                                  | Width between inner plates<br>$b_1$<br>Min. | Pin diameter<br>$d_2$<br>Max. | Pin length<br>$L$<br>Max. | $L_c$<br>Max. | Inner plate height<br>$h_2$<br>Max. | Plate thickness<br>$t$<br>Max. | $T$<br>Max. | Transverse pitch<br>$P_t$ | Ultimate tensile strength<br>$Q$<br>Min. | Average tensile strength<br>$Q_0$ | Mass per meter | Designation  |
|---------------------|--------------|----------------------------------|---------------------------------------------|-------------------------------|---------------------------|---------------|-------------------------------------|--------------------------------|-------------|---------------------------|------------------------------------------|-----------------------------------|----------------|--------------|
|                     | Pitch<br>$P$ | Roller diameter<br>$d_1$<br>Max. |                                             |                               |                           |               |                                     |                                |             |                           |                                          |                                   |                |              |
| -                   | mm           |                                  |                                             |                               |                           |               |                                     |                                |             |                           |                                          |                                   |                |              |
| -                   | kN           |                                  |                                             |                               |                           |               |                                     |                                |             |                           |                                          |                                   |                |              |
| -                   | kg/m         |                                  |                                             |                               |                           |               |                                     |                                |             |                           |                                          |                                   |                |              |
| -                   | -            |                                  |                                             |                               |                           |               |                                     |                                |             |                           |                                          |                                   |                |              |
| 04B-1               | 6,00         | 4,00                             | 2,80                                        | 1,85                          | 6,80                      | 7,8           | 5,00                                | 0,60                           | 0,60        | -                         | 3,0                                      | 3,2                               | 0,11           | PHC 04B-1... |
| 05B-1               | 8,00         | 5,00                             | 3,00                                        | 2,31                          | 8,20                      | 8,9           | 7,10                                | 0,80                           | 0,80        | -                         | 5,0                                      | 5,9                               | 0,20           | PHC 05B-1... |
| 06B-1 <sup>1)</sup> | 9,53         | 6,35                             | 5,72                                        | 3,28                          | 13,15                     | 14,1          | 8,20                                | 1,30                           | 1,30        | -                         | 9,0                                      | 10,4                              | 0,41           | PHC 06B-1... |
| 08B-1               | 12,70        | 8,51                             | 7,75                                        | 4,45                          | 16,70                     | 18,2          | 11,80                               | 1,60                           | 1,60        | -                         | 18,0                                     | 19,4                              | 0,69           | PHC 08B-1... |
| 10B-1               | 15,88        | 10,16                            | 9,65                                        | 5,08                          | 19,50                     | 20,9          | 14,70                               | 1,70                           | 1,70        | -                         | 22,4                                     | 27,5                              | 0,93           | PHC 10B-1... |
| 12B-1               | 19,05        | 12,07                            | 11,68                                       | 5,72                          | 22,50                     | 24,2          | 16,00                               | 1,85                           | 1,85        | -                         | 29,0                                     | 32,2                              | 1,15           | PHC 12B-1... |
| 16B-1               | 25,40        | 15,88                            | 17,02                                       | 8,28                          | 36,10                     | 37,4          | 21,00                               | 4,15                           | 3,10        | -                         | 60,0                                     | 72,8                              | 2,71           | PHC 16B-1... |
| 20B-1               | 31,75        | 19,05                            | 19,56                                       | 10,19                         | 41,30                     | 45,0          | 26,40                               | 4,50                           | 3,50        | -                         | 95,0                                     | 106,7                             | 3,70           | PHC 20B-1... |
| 24B-1               | 38,10        | 25,40                            | 25,40                                       | 14,63                         | 53,40                     | 57,8          | 33,20                               | 6,00                           | 4,80        | -                         | 160,0                                    | 178,0                             | 7,10           | PHC 24B-1... |
| 28B-1               | 44,45        | 27,94                            | 30,99                                       | 15,90                         | 65,10                     | 69,5          | 36,70                               | 7,50                           | 6,00        | -                         | 200,0                                    | 222,0                             | 8,50           | PHC 28B-1... |
| 32B-1               | 50,80        | 29,21                            | 30,99                                       | 17,81                         | 66,00                     | 71,0          | 42,00                               | 7,00                           | 6,00        | -                         | 250,0                                    | 277,5                             | 10,25          | PHC 32B-1... |
| 40B-1               | 63,50        | 39,37                            | 38,10                                       | 22,89                         | 82,20                     | 89,2          | 52,96                               | 8,50                           | 8,00        | -                         | 355,0                                    | 394,0                             | 16,35          | PHC 40B-1... |
| 48B-1               | 76,20        | 48,26                            | 45,72                                       | 29,24                         | 99,10                     | 107,0         | 63,80                               | 12,00                          | 10,00       | -                         | 560,0                                    | 621,6                             | 25,00          | PHC 48B-1... |
| 56B-1               | 88,90        | 53,98                            | 53,34                                       | 34,32                         | 114,60                    | 123,0         | 77,80                               | 13,50                          | 12,00       | -                         | 850,0                                    | 940,0                             | 35,78          | PHC 56B-1... |
| 64B-1               | 101,60       | 63,50                            | 60,96                                       | 39,40                         | 130,00                    | 138,5         | 90,17                               | 15,00                          | 13,00       | -                         | 1 120,0                                  | 1 240,0                           | 46,00          | PHC 64B-1... |
| 72B-1               | 114,30       | 72,39                            | 68,58                                       | 44,48                         | 147,40                    | 156,4         | 103,60                              | 17,00                          | 15,00       | -                         | 1 400,0                                  | 1 550,0                           | 60,80          | PHC 72B-1... |
| 05B-2               | 8,00         | 5,00                             | 3,00                                        | 2,31                          | 13,90                     | 14,5          | 7,10                                | 0,80                           | 0,80        | 5,64                      | 7,8                                      | 10,2                              | 0,33           | PHC 05B-2... |
| 06B-2 <sup>1)</sup> | 9,53         | 6,35                             | 5,72                                        | 3,28                          | 23,40                     | 24,4          | 8,20                                | 1,30                           | 1,30        | 10,24                     | 16,9                                     | 18,7                              | 0,77           | PHC 06B-2... |
| 08B-2               | 12,70        | 8,51                             | 7,75                                        | 4,45                          | 31,20                     | 32,2          | 11,80                               | 1,60                           | 1,60        | 13,92                     | 32,0                                     | 38,7                              | 1,34           | PHC 08B-2... |
| 10B-2               | 15,88        | 10,16                            | 9,65                                        | 5,08                          | 36,10                     | 37,5          | 14,70                               | 1,70                           | 1,70        | 16,59                     | 44,5                                     | 56,2                              | 1,84           | PHC 10B-2... |
| 12B-2               | 19,05        | 12,07                            | 11,68                                       | 5,72                          | 42,00                     | 43,6          | 16,00                               | 1,85                           | 1,85        | 19,46                     | 57,8                                     | 66,1                              | 2,31           | PHC 12B-2... |
| 16B-2               | 25,40        | 15,88                            | 17,02                                       | 8,28                          | 68,00                     | 69,3          | 21,00                               | 4,15                           | 3,10        | 31,88                     | 106,0                                    | 133,0                             | 5,42           | PHC 16B-2... |
| 20B-2               | 31,75        | 19,05                            | 19,56                                       | 10,19                         | 77,80                     | 81,5          | 26,40                               | 4,50                           | 3,50        | 36,45                     | 170,0                                    | 211,2                             | 7,20           | PHC 20B-2... |
| 24B-2               | 38,10        | 25,40                            | 25,40                                       | 14,63                         | 101,70                    | 106,2         | 33,20                               | 6,00                           | 4,80        | 48,36                     | 280,0                                    | 319,2                             | 13,40          | PHC 24B-2... |
| 28B-2               | 44,45        | 27,94                            | 30,99                                       | 15,90                         | 124,60                    | 129,1         | 36,70                               | 7,50                           | 6,00        | 59,56                     | 360,0                                    | 406,8                             | 16,60          | PHC 28B-2... |
| 32B-2               | 50,80        | 29,21                            | 30,99                                       | 17,81                         | 124,60                    | 129,6         | 42,00                               | 7,00                           | 6,00        | 58,55                     | 450,0                                    | 508,5                             | 21,00          | PHC 32B-2... |
| 40B-2               | 63,50        | 39,37                            | 38,10                                       | 22,89                         | 154,50                    | 161,5         | 52,96                               | 8,50                           | 8,00        | 72,29                     | 630,0                                    | 711,9                             | 32,00          | PHC 40B-2... |
| 48B-2               | 76,20        | 48,26                            | 45,72                                       | 29,24                         | 190,40                    | 198,2         | 63,80                               | 12,00                          | 10,00       | 91,21                     | 1 000,0                                  | 1 130,0                           | 50,00          | PHC 48B-2... |
| 56B-2               | 88,90        | 53,98                            | 53,34                                       | 34,32                         | 221,20                    | 229,6         | 77,80                               | 13,50                          | 12,00       | 106,60                    | 1 600,0                                  | 1 760,0                           | 71,48          | PHC 56B-2... |
| 64B-2               | 101,60       | 63,50                            | 60,96                                       | 39,40                         | 249,90                    | 258,4         | 90,17                               | 15,00                          | 13,00       | 119,89                    | 2 000,0                                  | 2 200,0                           | 91,00          | PHC 64B-2... |
| 72B-2               | 114,30       | 72,39                            | 68,58                                       | 44,48                         | 283,70                    | 292,7         | 103,60                              | 17,00                          | 15,00       | 136,27                    | 2 500,0                                  | 2 750,0                           | 120,40         | PHC 72B-2... |
| 05B-3               | 8,00         | 5,00                             | 3,00                                        | 2,31                          | 19,50                     | 20,2          | 7,10                                | 0,80                           | 0,80        | 5,64                      | 11,1                                     | 13,8                              | 0,48           | PHC 05B-3... |
| 06B-3 <sup>1)</sup> | 9,53         | 6,35                             | 5,72                                        | 3,28                          | 33,50                     | 34,6          | 8,20                                | 1,30                           | 1,30        | 10,24                     | 24,9                                     | 30,1                              | 1,16           | PHC 06B-3... |
| 08B-3               | 12,70        | 8,51                             | 7,75                                        | 4,45                          | 45,10                     | 46,1          | 11,80                               | 1,60                           | 1,60        | 13,92                     | 47,5                                     | 57,8                              | 2,03           | PHC 08B-3... |
| 10B-3               | 15,88        | 10,16                            | 9,65                                        | 5,08                          | 52,70                     | 54,1          | 14,70                               | 1,70                           | 1,70        | 16,59                     | 66,7                                     | 84,5                              | 2,77           | PHC 10B-3... |
| 12B-3               | 19,05        | 12,07                            | 11,68                                       | 5,72                          | 61,50                     | 63,1          | 16,00                               | 1,85                           | 1,85        | 19,46                     | 86,7                                     | 101,8                             | 3,46           | PHC 12B-3... |
| 16B-3               | 25,40        | 15,88                            | 17,02                                       | 8,28                          | 99,80                     | 101,2         | 21,00                               | 4,15                           | 3,10        | 31,88                     | 160,0                                    | 203,7                             | 8,13           | PHC 16B-3... |
| 20B-3               | 31,75        | 19,05                            | 19,56                                       | 10,19                         | 114,20                    | 117,9         | 26,40                               | 4,50                           | 3,50        | 36,45                     | 250,0                                    | 290,0                             | 10,82          | PHC 20B-3... |
| 24B-3               | 38,10        | 25,40                            | 25,40                                       | 14,63                         | 150,10                    | 154,6         | 33,20                               | 6,00                           | 4,80        | 48,36                     | 425,0                                    | 493,0                             | 20,10          | PHC 24B-3... |
| 28B-3               | 44,45        | 27,94                            | 30,99                                       | 15,90                         | 184,20                    | 188,7         | 36,70                               | 7,50                           | 6,00        | 59,56                     | 530,0                                    | 609,5                             | 24,92          | PHC 28B-3... |
| 32B-3               | 50,80        | 29,21                            | 30,99                                       | 17,81                         | 183,20                    | 188,2         | 42,00                               | 7,00                           | 6,00        | 58,55                     | 670,0                                    | 770,5                             | 31,56          | PHC 32B-3... |
| 40B-3               | 63,50        | 39,37                            | 38,10                                       | 22,89                         | 226,80                    | 233,8         | 52,96                               | 8,50                           | 8,00        | 72,29                     | 950,0                                    | 1 092,5                           | 48,10          | PHC 40B-3... |
| 48B-3               | 76,20        | 48,26                            | 45,72                                       | 29,24                         | 281,60                    | 289,4         | 63,80                               | 12,00                          | 10,00       | 91,21                     | 1 500,0                                  | 1 710,0                           | 75,00          | PHC 48B-3... |
| 56B-3               | 88,90        | 53,98                            | 53,34                                       | 34,32                         | 327,80                    | 336,2         | 77,80                               | 13,50                          | 12,00       | 106,60                    | 2 240,0                                  | 2 240,0                           | 107,18         | PHC 56B-3... |
| 64B-3               | 101,60       | 63,50                            | 60,96                                       | 39,40                         | 369,80                    | 378,3         | 90,17                               | 15,00                          | 13,00       | 119,89                    | 3 000,0                                  | 3 300,0                           | 136,00         | PHC 64B-3... |
| 72B-3               | 114,30       | 72,39                            | 68,58                                       | 44,48                         | 420,00                    | 429,0         | 103,60                              | 17,00                          | 15,00       | 136,27                    | 3 750,0                                  | 4 125,0                           | 180,00         | PHC 72B-3... |

<sup>1)</sup> Straight side plates.

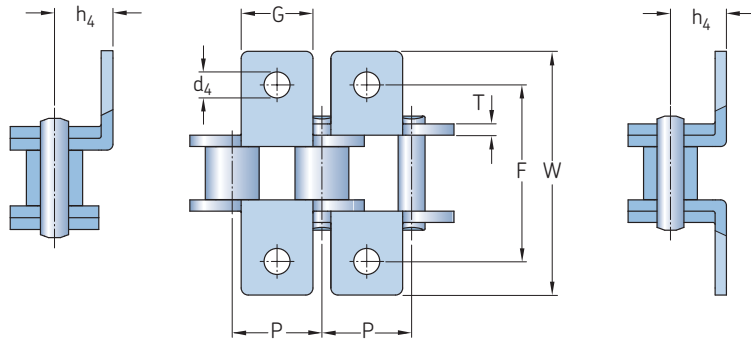
Standard lengths are 10 ft. and 5 m. To complete designation, add chain length. For example, a 5 m box of 08B-1 is PHC 08B-1X5MTR. One connecting link is contained per chain. For additional links, add "C/L" for "connecting" and "O/L" for "offset" to the designation.

# Roller chain attachments

A-1 | K-1



A-1



K-1

| ANSI Chain number | BS/ISO Chain number | Dimensions |      |        |       |      |                |                | Designation  |
|-------------------|---------------------|------------|------|--------|-------|------|----------------|----------------|--------------|
|                   |                     | P          | G    | F      | W     | T    | h <sub>4</sub> | d <sub>4</sub> |              |
| -                 |                     | mm         |      |        |       |      |                |                | -            |
| 35-1              | 06C-1               | 9,53       | 7,9  | 19,00  | 28,6  | 1,30 | 6,35           | 3,4            | PHC 35-1...  |
| 40-1              | 08A-1               | 12,70      | 9,5  | 25,40  | 35,2  | 1,50 | 7,90           | 3,4            | PHC 40-1...  |
| 41-1              | 085-1               | 12,70      | 9,5  | 24,00  | 33,4  | 1,30 | 6,90           | 3,6            | PHC 41-1...  |
| 50-1              | 10A-1               | 15,88      | 12,7 | 31,75  | 46,2  | 2,03 | 10,30          | 5,5            | PHC 50-1...  |
| 60-1              | 12A-1               | 19,05      | 15,9 | 38,10  | 55,6  | 2,42 | 11,90          | 5,5            | PHC 60-1...  |
| 80-1              | 16A-1               | 25,40      | 19,1 | 50,80  | 64,8  | 3,25 | 15,90          | 6,8            | PHC 80-1...  |
| 100-1             | 20A-1               | 31,75      | 25,4 | 63,50  | 87,3  | 4,00 | 19,80          | 9,2            | PHC 100-1... |
| 120-1             | 24A-1               | 38,10      | 28,6 | 76,20  | 108,5 | 4,80 | 23,00          | 9,8            | PHC 120-1... |
| 140-1             | 28A-1               | 44,45      | 34,9 | 88,90  | 123,0 | 5,60 | 28,60          | 11,4           | PHC 140-1... |
| 160-1             | 32A-1               | 50,80      | 38,1 | 101,60 | 142,8 | 6,40 | 31,75          | 13,1           | PHC 160-1... |
| 200-1             | 40A-1               | 63,50      | 50,8 | 127,00 | 179,0 | 8,00 | 42,88          | 16,3           | PHC 200-1... |
| -                 | 06B-1 <sup>1)</sup> | 9,53       | 8,0  | 19,04  | 27,0  | 1,30 | 6,50           | 3,5            | PHC 06B-1... |
| -                 | 08B-1               | 12,70      | 9,5  | 25,40  | 36,4  | 1,60 | 8,90           | 4,5            | PHC 08B-1... |
| -                 | 10B-1               | 15,88      | 14,3 | 31,75  | 44,6  | 1,70 | 10,31          | 5,3            | PHC 10B-1... |
| -                 | 12B-1               | 19,05      | 16,0 | 38,10  | 52,4  | 1,85 | 13,46          | 6,4            | PHC 12B-1... |
| -                 | 16B-1               | 25,40      | 19,1 | 50,80  | 72,6  | 3,10 | 15,88          | 6,4            | PHC 16B-1... |
| -                 | 20B-1               | 31,75      | 35,0 | 63,50  | 100,5 | 3,50 | 19,80          | 9,0            | PHC 20B-1... |
| -                 | 24B-1               | 38,10      | 30,0 | 76,20  | 108,4 | 4,80 | 26,67          | 10,5           | PHC 24B-1... |
| -                 | 28B-1               | 44,45      | 35,0 | 88,90  | 123,0 | 6,00 | 28,58          | 13,1           | PHC 28B-1... |
| -                 | 32B-1               | 50,80      | 38,1 | 101,60 | 142,8 | 6,00 | 31,75          | 13,1           | PHC 32B-1... |

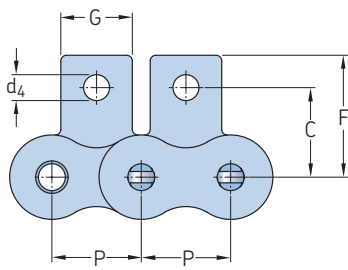
<sup>1)</sup> Straight side plates

To complete designation, add attachment spacing and type followed by chain length. For example, PHC 40-1-L2A1X10FT (ANSI 40-1 with A-1 attachment on every second link, 10 ft. length). Note: Also available in stainless steel. When ordering, add SS after the chain number. For example, PHC 40-1SS-L1A1X10FT.

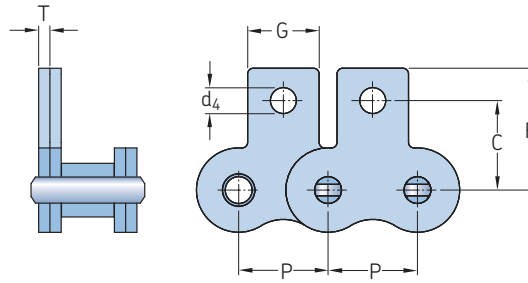


## Roller chain attachments

SA-1/M1 | SK-1/M1



SA-1/M1



SK-1/M1

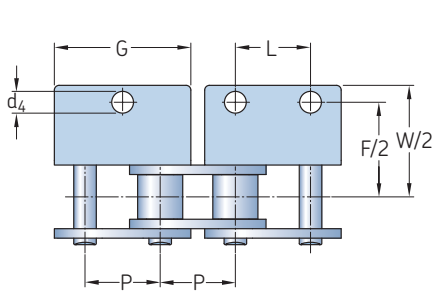
| ANSI Chain number | BS/ISO Chain number | Dimensions |      |       |       |      |                | Designation  |
|-------------------|---------------------|------------|------|-------|-------|------|----------------|--------------|
|                   |                     | P          | G    | C     | F     | T    | d <sub>4</sub> |              |
|                   |                     | mm         |      |       |       |      |                |              |
| 35-1              | 06C-1               | 9,53       | 7,9  | 9,50  | 14,55 | 1,30 | 3,4            | PHC 35-1...  |
| 40-1              | 08A-1               | 12,70      | 9,5  | 12,70 | 19,05 | 1,50 | 3,4            | PHC 40-1...  |
| 41-1              | 085-1               | 12,70      | 9,5  | 11,85 | 16,55 | 1,30 | 3,6            | PHC 41-1...  |
| 50-1              | 10A-1               | 15,88      | 12,7 | 15,90 | 25,25 | 2,03 | 5,5            | PHC 50-1...  |
| 60-1              | 12A-1               | 19,05      | 15,9 | 18,30 | 29,33 | 2,42 | 5,5            | PHC 60-1...  |
| 80-1              | 16A-1               | 25,40      | 19,1 | 24,60 | 34,70 | 3,25 | 6,8            | PHC 80-1...  |
| 100-1             | 20A-1               | 31,75      | 25,4 | 31,80 | 43,30 | 4,00 | 9,2            | PHC 100-1... |
| 120-1             | 24A-1               | 38,10      | 28,6 | 36,50 | 51,60 | 4,80 | 9,8            | PHC 120-1... |
| 140-1             | 28A-1               | 44,45      | 34,9 | 44,50 | 62,00 | 5,60 | 11,4           | PHC 140-1... |
| 160-1             | 32A-1               | 50,80      | 38,1 | 50,80 | 69,85 | 6,40 | 13,1           | PHC 160-1... |
| 200-1             | 40A-1               | 63,50      | 50,8 | 63,50 | 88,90 | 8,00 | 16,3           | PHC 200-1... |
| -                 | 06B-1 <sup>1)</sup> | 9,53       | 8,0  | 9,52  | 13,50 | 1,30 | 3,5            | PHC 06B-1... |
| -                 | 08B-1               | 12,70      | 9,5  | 13,35 | 18,90 | 1,60 | 4,3            | PHC 08B-1... |
| -                 | 10B-1               | 15,88      | 14,3 | 16,50 | 22,95 | 1,70 | 5,3            | PHC 10B-1... |
| -                 | 12B-1               | 19,05      | 16,0 | 21,45 | 28,60 | 1,85 | 6,4            | PHC 12B-1... |
| -                 | 16B-1               | 25,40      | 19,1 | 23,15 | 34,00 | 3,10 | 6,4            | PHC 16B-1... |
| -                 | 20B-1               | 31,75      | 35,0 | 30,50 | 45,70 | 3,50 | 9,0            | PHC 20B-1... |

<sup>1)</sup> Straight side plates

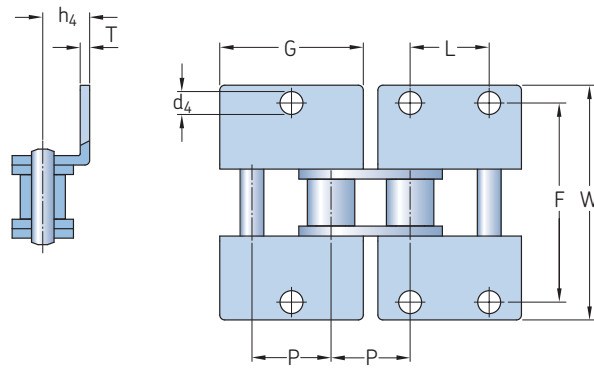
To complete designation, add attachment spacing and type followed by chain length. For example, PHC 80-1-L1SK1X10FT (ANSI 80-1 with SK-1 attachment on every link, 10 ft. length). Note: Also available in stainless steel. When ordering, add SS after the chain number. For example, PHC 80-1SS-L1SK1X10FT.

## Roller chain attachments

WA-1 · WA-2 | WK-1 · WK-2



WA-1,WA-2



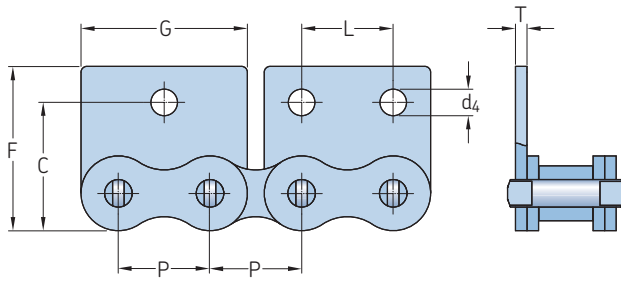
WK-1,WK-2

| ANSI Chain number | BS/ISO Chain number | Dimensions |        |       |        |       |      |       |       | Designation  |
|-------------------|---------------------|------------|--------|-------|--------|-------|------|-------|-------|--------------|
|                   |                     | P          | G      | L     | F      | W     | T    | $h_4$ | $d_4$ |              |
| -                 |                     | mm         |        |       |        |       |      |       |       | -            |
| 35-1              | 06C-1               | 9,53       | 17,32  | 9,53  | 19,00  | 28,6  | 1,30 | 6,35  | 2,80  | PHC 35-1...  |
| 40-1              | 08A-1               | 12,70      | 23,00  | 12,70 | 25,40  | 35,6  | 1,50 | 7,90  | 3,40  | PHC 40-1...  |
| 41-1              | 085-1               | 12,70      | 22,30  | 12,70 | 24,00  | 35,0  | 1,30 | 7,20  | 4,85  | PHC 41-1...  |
| 50-1              | 10A-1               | 15,88      | 28,80  | 15,88 | 31,75  | 46,8  | 2,03 | 10,30 | 5,50  | PHC 50-1...  |
| 60-1              | 12A-1               | 19,05      | 34,65  | 19,05 | 38,10  | 56,4  | 2,42 | 11,90 | 5,50  | PHC 60-1...  |
| 80-1              | 16A-1               | 25,40      | 45,90  | 25,40 | 50,80  | 73,2  | 3,25 | 15,90 | 6,80  | PHC 80-1...  |
| 100-1             | 20A-1               | 31,75      | 57,65  | 31,75 | 63,50  | 89,8  | 4,00 | 19,80 | 9,20  | PHC 100-1... |
| 120-1             | 24A-1               | 38,10      | 69,30  | 38,10 | 76,20  | 108,8 | 4,80 | 23,00 | 9,80  | PHC 120-1... |
| 140-1             | 28A-1               | 44,45      | 80,45  | 44,45 | 88,90  | 123,0 | 5,60 | 28,60 | 11,40 | PHC 140-1... |
| 160-1             | 32A-1               | 50,80      | 92,00  | 50,80 | 101,60 | 142,8 | 6,40 | 31,75 | 13,10 | PHC 160-1... |
| 200-1             | 40A-1               | 63,50      | 115,50 | 63,50 | 127,00 | 179,0 | 8,00 | 42,88 | 16,30 | PHC 200-1... |
| -                 | 08B-1               | 12,70      | 24,00  | 12,70 | 25,40  | 36,4  | 1,60 | 8,90  | 4,30  | PHC 08B-1... |
| -                 | 10B-1               | 15,88      | 29,58  | 15,88 | 31,80  | 44,6  | 1,70 | 10,31 | 5,30  | PHC 10B-1... |
| -                 | 12B-1               | 19,05      | 34,05  | 19,05 | 38,10  | 52,0  | 1,85 | 13,46 | 6,40  | PHC 12B-1... |
| -                 | 16B-1               | 25,40      | 46,40  | 25,40 | 50,80  | 72,6  | 3,10 | 15,88 | 6,40  | PHC 16B-1... |
| -                 | 20B-1               | 31,75      | 58,10  | 31,75 | 63,00  | 100,5 | 3,50 | 19,80 | 9,00  | PHC 20B-1... |
| -                 | 24B-1               | 38,10      | 71,30  | 38,10 | 76,20  | 108,4 | 4,80 | 26,67 | 10,50 | PHC 24B-1... |
| -                 | 28B-1               | 44,45      | 81,10  | 44,45 | 88,90  | 123,0 | 6,00 | 28,58 | 13,10 | PHC 28B-1... |
| -                 | 32B-1               | 50,80      | 92,80  | 50,80 | 101,60 | 142,8 | 6,00 | 31,75 | 13,10 | PHC 32B-1... |

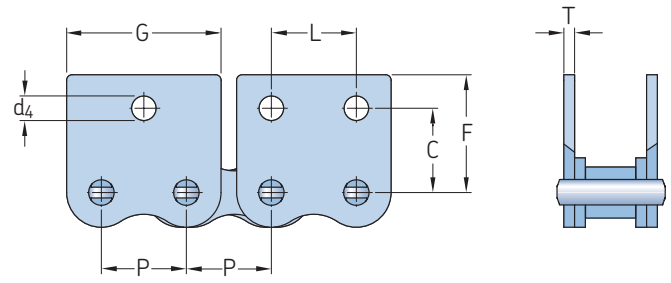
To complete designation, add attachment spacing and type followed by chain length. For example, PHC 80-1-L2WA2X10FT (ANSI 80-1 with WA-2 attachment on every second link, 10 ft. length). Note: Also available in stainless steel. When ordering, add SS after the chain number. For example, PHC 80-1SS-L2WA2X10FT.

## Roller chain attachments

WSA-1 · WSA-2 | WSK-1 · WSK-2



WSA-1, WSA-2



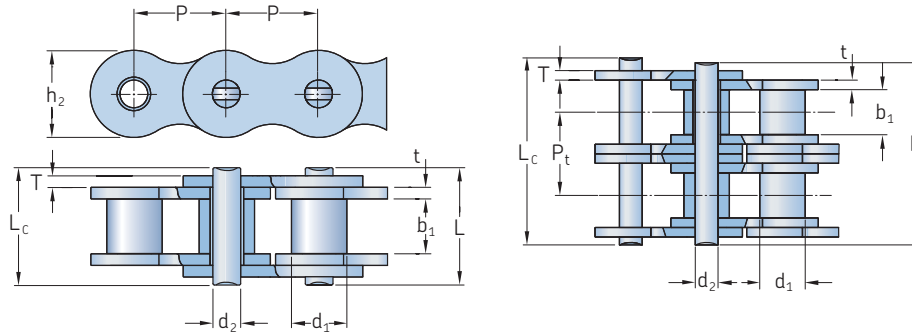
WSK-1, WSK-2

| ANSI Chain number | BS/ISO Chain number | Dimensions |        |       |       |       |      |                | Designation  |
|-------------------|---------------------|------------|--------|-------|-------|-------|------|----------------|--------------|
|                   |                     | P          | G      | L     | C     | F     | T    | d <sub>4</sub> |              |
| -                 |                     | mm         |        |       |       |       |      |                | -            |
| 35-1              | 06C-1               | 9,53       | 17,32  | 9,53  | 9,50  | 14,55 | 1,30 | 2,8            | PHC 35-1...  |
| 40-1              | 08A-1               | 12,70      | 23,00  | 12,70 | 12,70 | 17,40 | 1,50 | 3,4            | PHC 40-1...  |
| 41-1              | 08S-1               | 12,70      | 21,20  | 12,70 | 11,85 | 16,55 | 1,30 | 3,6            | PHC 41-1...  |
| 50-1              | 10A-1               | 15,88      | 28,80  | 15,88 | 15,90 | 23,05 | 2,03 | 5,5            | PHC 50-1...  |
| 60-1              | 12A-1               | 19,05      | 34,65  | 19,05 | 18,30 | 26,86 | 2,42 | 5,5            | PHC 60-1...  |
| 80-1              | 16A-1               | 25,40      | 45,90  | 25,40 | 24,60 | 35,45 | 3,25 | 6,8            | PHC 80-1...  |
| 100-1             | 20A-1               | 31,75      | 57,65  | 31,75 | 31,80 | 44,00 | 4,00 | 9,2            | PHC 100-1... |
| 120-1             | 24A-1               | 38,10      | 69,30  | 38,10 | 36,50 | 51,60 | 4,80 | 9,8            | PHC 120-1... |
| 140-1             | 28A-1               | 44,45      | 80,45  | 44,45 | 44,50 | 62,00 | 5,60 | 11,4           | PHC 140-1... |
| 160-1             | 32A-1               | 50,80      | 92,00  | 50,80 | 50,80 | 69,85 | 6,40 | 13,1           | PHC 160-1... |
| 200-1             | 40A-1               | 63,50      | 115,50 | 63,50 | 63,50 | 88,90 | 8,00 | 16,3           | PHC 200-1... |
| -                 | 08B-1               | 12,70      | 23,30  | 12,70 | 13,35 | 18,90 | 1,60 | 4,3            | PHC 08B-1... |
| -                 | 10B-1               | 15,88      | 29,58  | 15,88 | 16,50 | 22,95 | 1,70 | 5,3            | PHC 10B-1... |
| -                 | 12B-1               | 19,05      | 34,05  | 19,05 | 21,45 | 28,60 | 1,85 | 6,4            | PHC 12B-1... |
| -                 | 16B-1               | 25,40      | 46,40  | 25,40 | 23,15 | 34,00 | 3,10 | 6,4            | PHC 16B-1... |
| -                 | 20B-1               | 31,75      | 58,10  | 31,75 | 30,50 | 45,70 | 3,50 | 9,0            | PHC 20B-1... |

To complete designation, add attachment spacing and type followed by chain length. For example, PHC 80-1-L4WSA1X10FT (ANSI 80-1 with WSA-1 attachment on every fourth link, 10 ft. length). Note: Also available in stainless steel. When ordering, add SS after the chain number. For example, PHC 80-1SS L4WSA1X10FT.

# SKF Xtra Strength Chains

H Chains | SH Chains | SPH Chains



| Xtra Strength type | ANSI Chain number   | Dimensions           |                         |                                    |                      |                   |                    | Pin length cotted | Inner plate height | Plate thickness | Transverse pitch | Ultimate tensile strength Q | Average tensile strength Q0 | Mass per meter | Designation     |                    |
|--------------------|---------------------|----------------------|-------------------------|------------------------------------|----------------------|-------------------|--------------------|-------------------|--------------------|-----------------|------------------|-----------------------------|-----------------------------|----------------|-----------------|--------------------|
|                    |                     | Pitch P              | Roller diameter d1 Max. | Width between inner plates b1 Min. | Pin diameter d2 Max. | Pin length L Max. | Pin length Lc Max. |                   |                    |                 |                  |                             |                             |                |                 | Pin length Lc Max. |
| mm                 |                     |                      |                         |                                    |                      |                   |                    |                   |                    |                 |                  |                             |                             |                |                 |                    |
| H                  | 35H-1 <sup>1)</sup> | 9,53                 | 5,08                    | 4,77                               | 3,58                 | 13,3              | 14,3               | -                 | 9,00               | 1,50            | -                | 7,9                         | 10,8                        | 0,41           | PHC 35H-1...    |                    |
|                    | 40H-1               | 12,70                | 7,95                    | 7,85                               | 3,96                 | 18,8              | 19,9               | -                 | 12,00              | 2,03            | -                | 14,1                        | 19,1                        | 0,82           | PHC 40H-1...    |                    |
|                    | 50H-1               | 15,88                | 10,16                   | 9,40                               | 5,08                 | 22,1              | 23,4               | 24,4              | 15,09              | 2,42            | -                | 22,2                        | 30,2                        | 1,25           | PHC 50H-1...    |                    |
|                    | 60H-1               | 19,05                | 11,91                   | 12,57                              | 5,94                 | 29,2              | 31,0               | 31,6              | 18,00              | 3,25            | -                | 31,8                        | 42,7                        | 1,87           | PHC 60H-1...    |                    |
|                    | 80H-1               | 25,40                | 15,88                   | 15,75                              | 7,92                 | 36,2              | 37,7               | 39,4              | 24,00              | 4,00            | -                | 56,7                        | 71,4                        | 3,10           | PHC 80H-1...    |                    |
|                    | 100H-1              | 31,75                | 19,05                   | 18,90                              | 9,53                 | 43,6              | 46,9               | 46,9              | 30,00              | 4,80            | -                | 88,5                        | 112,4                       | 4,52           | PHC 100H-1...   |                    |
|                    | 120H-1              | 38,10                | 22,23                   | 25,22                              | 11,10                | 53,5              | 57,5               | 57,5              | 35,70              | 5,60            | -                | 127,0                       | 160,9                       | 6,60           | PHC 120H-1...   |                    |
|                    | 140H-1              | 44,45                | 25,40                   | 25,22                              | 12,70                | 57,6              | 62,2               | 62,2              | 41,00              | 6,40            | -                | 172,4                       | 217,3                       | 8,30           | PHC 140H-1...   |                    |
|                    | 160H-1              | 50,80                | 28,58                   | 31,55                              | 14,27                | 68,2              | 73,0               | 73,0              | 47,80              | 7,20            | -                | 226,8                       | 285,8                       | 10,30          | PHC 160H-1...   |                    |
|                    | 180H-1              | 57,15                | 35,71                   | 35,48                              | 17,46                | 75,9              | 81,6               | -                 | 53,60              | 8,00            | -                | 281,0                       | 341,8                       | 14,83          | PHC 180H-1...   |                    |
|                    | 200H-1              | 63,50                | 39,68                   | 37,85                              | 19,85                | 86,6              | 93,5               | 93,5              | 60,00              | 9,50            | -                | 353,8                       | 444,5                       | 19,16          | PHC 200H-1...   |                    |
|                    | 240H-1              | 76,20                | 47,63                   | 47,35                              | 23,81                | 109,6             | 115,9              | -                 | 72,30              | 12,70           | -                | 510,3                       | 622,5                       | 30,40          | PHC 240H-1...   |                    |
|                    | 60H-2               | 19,05                | 11,91                   | 12,57                              | 5,94                 | 55,3              | 57,1               | 57,7              | 18,00              | 3,25            | 26,11            | 63,6                        | 84,5                        | 3,71           | PHC 60H-2...    |                    |
|                    | 80H-2               | 25,40                | 15,88                   | 15,75                              | 7,92                 | 68,8              | 70,3               | 72,0              | 24,00              | 4,00            | 32,59            | 113,4                       | 145,3                       | 6,15           | PHC 80H-2...    |                    |
|                    | 100H-2              | 31,75                | 19,05                   | 18,90                              | 9,53                 | 82,7              | 86,0               | 86,0              | 30,00              | 4,80            | 39,09            | 177,0                       | 225,9                       | 9,03           | PHC 100H-2...   |                    |
|                    | 120H-2              | 38,10                | 22,23                   | 25,22                              | 11,10                | 102,4             | 106,4              | 106,4             | 35,70              | 5,60            | 48,87            | 254,0                       | 322,7                       | 13,13          | PHC 120H-2...   |                    |
|                    | 140H-2              | 44,45                | 25,40                   | 25,22                              | 12,70                | 109,8             | 114,4              | 114,4             | 41,00              | 6,40            | 52,20            | 344,8                       | 437,7                       | 16,60          | PHC 140H-2...   |                    |
|                    | 160H-2              | 50,80                | 28,58                   | 31,55                              | 14,27                | 130,1             | 134,9              | 134,9             | 47,80              | 7,20            | 61,90            | 453,6                       | 571,6                       | 20,20          | PHC 160H-2...   |                    |
|                    | 200H-2              | 63,50                | 39,68                   | 37,85                              | 19,85                | 164,9             | 171,8              | 171,8             | 60,00              | 9,50            | 78,31            | 707,6                       | 894,9                       | 38,11          | PHC 200H-2...   |                    |
|                    | 60H-3               | 19,05                | 11,91                   | 12,57                              | 5,94                 | 81,4              | 83,2               | 83,8              | 18,00              | 3,25            | 26,11            | 95,4                        | 113,9                       | 5,54           | PHC 60H-3...    |                    |
|                    | 80H-3               | 25,40                | 15,88                   | 15,75                              | 7,92                 | 101,4             | 102,9              | 104,6             | 24,00              | 4,00            | 32,59            | 170,1                       | 203,5                       | 9,42           | PHC 80H-3...    |                    |
|                    | 100H-3              | 31,75                | 19,05                   | 18,90                              | 9,53                 | 121,8             | 125,1              | 125,1             | 30,00              | 4,80            | 39,09            | 265,5                       | 314,8                       | 12,96          | PHC 100H-3...   |                    |
|                    | 120H-3              | 38,10                | 22,23                   | 25,22                              | 11,10                | 151,2             | 155,2              | 155,2             | 35,70              | 5,60            | 48,87            | 381,0                       | 444,7                       | 19,64          | PHC 120H-3...   |                    |
|                    | 140H-3              | 44,45                | 25,40                   | 25,22                              | 12,70                | 162,0             | 166,6              | 166,6             | 41,00              | 6,40            | 52,20            | 517,2                       | 598,4                       | 24,90          | PHC 140H-3...   |                    |
|                    | 160H-3              | 50,80                | 28,58                   | 31,55                              | 14,27                | 192,0             | 196,8              | 196,8             | 47,80              | 7,20            | 61,90            | 680,4                       | 787,3                       | 30,10          | PHC 160H-3...   |                    |
|                    | 200H-3              | 63,50                | 39,68                   | 37,85                              | 19,85                | 243,2             | 250,1              | 250,1             | 60,00              | 9,50            | 78,31            | 1 061,4                     | 1 228,2                     | 57,06          | PHC 200H-3...   |                    |
|                    | SH                  | 25SH-1 <sup>1)</sup> | 6,35                    | 3,30                               | 3,18                 | 2,01              | 9,0                | -                 | 6,00               | 2,01            | -                | 5,1                         | 5,6                         | 2,17           | PHC 25SH-1X...  |                    |
|                    |                     | 35SH-1 <sup>1)</sup> | 9,53                    | 5,08                               | 4,77                 | 3,58              | 13,3               | 14,3              | 9,00               | 1,50            | -                | 11,0                        | 13,6                        | 0,41           | PHC 35SH-1X...  |                    |
|                    |                     | 40SH-1               | 12,70                   | 7,95                               | 7,85                 | 3,96              | 18,8               | 19,9              | -                  | 12,00           | 2,03             | -                           | 22,4                        | 24,8           | 0,82            | PHC 40SH-1X...     |
|                    |                     | 50SH-1               | 15,88                   | 10,16                              | 9,40                 | 5,08              | 22,1               | 23,4              | -                  | 15,09           | 2,42             | -                           | 30,4                        | 36,2           | 1,25            | PHC 50SH-1X...     |
| 60SH-1             |                     | 19,05                | 11,91                   | 12,57                              | 5,94                 | 29,2              | 31,6               | -                 | 18,00              | 3,25            | -                | 44,1                        | 50,4                        | 1,87           | PHC 60SH-1X...  |                    |
| 80SH-1             |                     | 25,40                | 15,88                   | 15,75                              | 7,92                 | 36,2              | 37,7               | -                 | 24,00              | 4,00            | -                | 88,2                        | 93,0                        | 3,10           | PHC 80SH-1X...  |                    |
| 100SH-1            |                     | 31,75                | 19,05                   | 18,90                              | 9,53                 | 43,6              | 46,9               | -                 | 30,00              | 4,80            | -                | 116,6                       | 129,1                       | 4,52           | PHC 100SH-1X... |                    |
| 120SH-1            |                     | 38,10                | 22,23                   | 25,22                              | 11,10                | 53,5              | 57,5               | -                 | 35,70              | 5,60            | -                | 158,2                       | 175,3                       | 6,60           | PHC 120SH-1X... |                    |
| 140SH-1            |                     | 44,45                | 25,40                   | 25,22                              | 12,70                | 57,6              | 62,2               | -                 | 41,00              | 6,40            | -                | 206,0                       | 266,5                       | 8,30           | PHC 140SH-1X... |                    |
| 160SH-1            |                     | 50,80                | 28,58                   | 31,55                              | 14,27                | 68,2              | 73,0               | -                 | 47,80              | 7,20            | -                | 274,0                       | 293,0                       | 10,30          | PHC 160SH-1X... |                    |
| 200SH-1            |                     | 63,50                | 39,68                   | 37,85                              | 19,85                | 86,6              | 93,5               | -                 | 60,00              | 9,50            | -                | 506,1                       | 562,3                       | 19,16          | PHC 200SH-1X... |                    |
| SPH                |                     | 80SPH-1              | 25,40                   | 15,88                              | 15,75                | 7,94              | 32,7               | 36,5              | -                  | 24,10           | 3,20             | -                           | 77,5                        | 85,3           | 2,86            | PHC80SPH-1X...     |
|                    |                     | 100SPH-1             | 31,75                   | 19,05                              | 18,95                | 9,54              | 40,4               | 44,7              | -                  | 30,10           | 4,00             | -                           | 115,5                       | 127,0          | 4,21            | PHC100SPH-1X...    |
|                    |                     | 120SPH-1             | 38,10                   | 22,23                              | 25,22                | 11,11             | 50,3               | 54,3              | -                  | 36,20           | 4,80             | -                           | 165,0                       | 186,0          | 6,36            | PHC120SPH-1X...    |
|                    |                     | 140SPH-1             | 44,45                   | 25,40                              | 25,22                | 12,71             | 54,4               | 59,0              | -                  | 42,20           | 5,60             | -                           | 222,7                       | 245,0          | 8,04            | PHC140SPH-1X...    |
|                    | 160SPH-1            | 50,80                | 28,58                   | 31,55                              | 14,29                | 64,8              | 69,6               | -                 | 48,20              | 6,40            | -                | 285,5                       | 314,0                       | 10,80          | PHC160SPH-1X... |                    |
|                    | 200SPH-1            | 63,50                | 39,68                   | 37,85                              | 19,85                | 80,3              | 87,2               | -                 | 60,30              | 8,00            | -                | 445,5                       | 490,0                       | 18,00          | PHC200SPH-1X... |                    |
|                    | 80SPH-2             | 25,40                | 15,88                   | 15,75                              | 7,94                 | 62,7              | 65,8               | -                 | 24,10              | 3,20            | 29,29            | 155,0                       | 170,6                       | 5,68           | PHC80SPH-2X...  |                    |
|                    | 100SPH-2            | 31,75                | 19,05                   | 18,95                              | 9,54                 | 76,4              | 80,5               | -                 | 30,10              | 4,00            | 35,76            | 231,0                       | 255,0                       | 8,34           | PHC100SPH-2X... |                    |
|                    | 120SPH-2            | 38,10                | 22,23                   | 25,22                              | 11,11                | 95,8              | 99,7               | -                 | 36,20              | 4,80            | 45,44            | 339,0                       | 373,0                       | 12,63          | PHC120SPH-2X... |                    |
|                    | 140SPH-2            | 44,45                | 25,40                   | 25,22                              | 12,71                | 103,3             | 107,9              | -                 | 42,20              | 5,60            | 48,87            | 445,5                       | 490,0                       | 15,92          | PHC140SPH-2X... |                    |
|                    | 160SPH-2            | 50,80                | 28,58                   | 31,55                              | 14,29                | 123,3             | 128,1              | -                 | 48,20              | 6,40            | 58,55            | 571,0                       | 628,0                       | 21,43          | PHC160SPH-2X... |                    |
|                    | 200SPH-2            | 63,50                | 39,68                   | 37,85                              | 19,85                | 151,9             | 158,8              | -                 | 60,30              | 8,00            | 71,55            | 892,0                       | 981,0                       | 35,00          | PHC200SPH-2X... |                    |
|                    | 80SPH-3             | 25,40                | 15,88                   | 15,75                              | 7,94                 | 91,7              | 95,1               | -                 | 24,10              | 3,20            | 29,29            | 232,5                       | 255,9                       | 8,18           | PHC80SPH-3X...  |                    |
|                    | 100SPH-3            | 31,75                | 19,05                   | 18,95                              | 9,54                 | 112,2             | 116,3              | -                 | 30,10              | 4,00            | 35,76            | 347,3                       | 382,0                       | 12,47          | PHC100SPH-3X... |                    |
|                    | 120SPH-3            | 38,10                | 22,23                   | 25,22                              | 11,11                | 141,4             | 145,2              | -                 | 36,20              | 4,80            | 45,44            | 508,0                       | 559,0                       | 18,90          | PHC120SPH-3X... |                    |

<sup>1)</sup> Bushing chain: d<sub>i</sub> indicates external diameter of bushing.  
 Standard lengths are 10 ft. and 5 m. To complete designation, add chain length. For example, a 5 m box of 160H-1 is PHC 160H-1X5MTR.  
 One connecting link is contained per chain. For additional links, add "C/L" for connecting and "O/L" for "offset" to the designation.  
 For cotted, add a "C" after the number of strands. For example, 160H-1 with a cotted pin is designated PHC 160H-1C...  
 For heavy duty multistrand chain drives with H, SH or SHH chains, special sprockets are needed due to differences in transverse pitch.

**SKF Xtra Strength Chains**  
SPH Chains | SHH Chains

| Xtra Strength type | ANSI Chain number | Dimensions |                                        | Width between inner plates<br>b <sub>1</sub> Min. | Pin diameter<br>d <sub>2</sub> Max. | Pin length |                     | Pin length cottered<br>L <sub>c</sub> Max. | Inner plate height<br>h <sub>2</sub> Max. | Plate thickness<br>T Max. | Transverse pitch<br>P <sub>t</sub> | Ultimate tensile strength<br>Q Min. | Average tensile strength<br>Q <sub>0</sub> | Mass per meter | Designation      |
|--------------------|-------------------|------------|----------------------------------------|---------------------------------------------------|-------------------------------------|------------|---------------------|--------------------------------------------|-------------------------------------------|---------------------------|------------------------------------|-------------------------------------|--------------------------------------------|----------------|------------------|
|                    |                   | Pitch<br>P | Roller diameter<br>d <sub>1</sub> Max. |                                                   |                                     | L Max.     | L <sub>c</sub> Max. |                                            |                                           |                           |                                    |                                     |                                            |                |                  |
| –                  | –                 | mm         |                                        |                                                   |                                     |            |                     |                                            |                                           |                           |                                    | kN                                  |                                            | kg/m           | –                |
| SPH                | 140SPH-3          | 44,45      | 25,40                                  | 25,22                                             | 12,71                               | 152,2      | 156,8               | –                                          | 42,20                                     | 5,60                      | 48,87                              | 668,0                               | 735,0                                      | 23,84          | PHC140SPH-3X...  |
|                    | 160SPH-3          | 50,80      | 28,58                                  | 31,55                                             | 14,29                               | 181,8      | 186,6               | –                                          | 48,20                                     | 6,40                      | 58,55                              | 855,5                               | 941,0                                      | 32,10          | PHC160SPH-3X...  |
|                    | 200SPH-3          | 63,50      | 39,68                                  | 37,85                                             | 19,85                               | 223,5      | 230,4               | –                                          | 60,30                                     | 8,00                      | 71,55                              | 1 336,4                             | 1 470,0                                    | 52,50          | PHC200SPH-3X...  |
| SHH                | 80SHH-1           | 25,40      | 15,88                                  | 15,75                                             | 7,94                                | 36,2       | 38,9                | –                                          | 24,10                                     | 4,00                      | –                                  | 89,2                                | 98,1                                       | 3,36           | PHC 80SHH-1X...  |
|                    | 100SHH-1          | 31,75      | 19,05                                  | 18,90                                             | 9,54                                | 43,6       | 46,9                | –                                          | 30,10                                     | 4,80                      | –                                  | 131,8                               | 145,0                                      | 4,90           | PHC 100SHH-1X... |
|                    | 120SHH-1          | 38,10      | 22,23                                  | 25,22                                             | 11,11                               | 53,5       | 57,5                | –                                          | 36,20                                     | 5,60                      | –                                  | 176,0                               | 196,0                                      | 7,12           | PHC 120SHH-1X... |
|                    | 140SHH-1          | 44,45      | 25,40                                  | 25,22                                             | 12,71                               | 57,6       | 62,2                | –                                          | 42,20                                     | 6,40                      | –                                  | 231,9                               | 255,0                                      | 8,88           | PHC 140SHH-1X... |
|                    | 160SHH-1          | 50,80      | 28,58                                  | 31,55                                             | 14,29                               | 68,2       | 73,0                | –                                          | 48,20                                     | 7,20                      | –                                  | 294,5                               | 324,0                                      | 11,72          | PHC 160SHH-1X... |
|                    | 200SHH-1          | 63,50      | 39,68                                  | 37,85                                             | 19,85                               | 86,6       | 93,5                | –                                          | 60,30                                     | 9,50                      | –                                  | 543,6                               | 598,0                                      | 19,80          | PHC 200SHH-1X... |
|                    | 80SHH-2           | 25,40      | 15,88                                  | 15,75                                             | 7,94                                | 68,8       | 72,0                | –                                          | 24,10                                     | 4,00                      | 32,59                              | 178,4                               | 196,2                                      | 6,65           | PHC 80SHH-2X...  |
|                    | 100SHH-2          | 31,75      | 19,05                                  | 18,90                                             | 9,54                                | 82,7       | 86,0                | –                                          | 30,10                                     | 4,80                      | 39,09                              | 263,6                               | 290,0                                      | 9,71           | PHC 100SHH-2X... |
|                    | 120SHH-2          | 38,10      | 22,23                                  | 25,22                                             | 11,11                               | 102,4      | 106,4               | –                                          | 36,20                                     | 5,60                      | 48,87                              | 356,4                               | 392,0                                      | 14,12          | PHC 120SHH-2X... |
|                    | 140SHH-2          | 44,45      | 25,40                                  | 25,22                                             | 12,71                               | 109,8      | 114,4               | –                                          | 42,20                                     | 6,40                      | 52,20                              | 463,6                               | 510,0                                      | 17,38          | PHC 140SHH-2X... |
|                    | 160SHH-2          | 50,80      | 28,58                                  | 31,55                                             | 14,29                               | 130,1      | 134,9               | –                                          | 48,20                                     | 7,20                      | 61,90                              | 588,0                               | 647,0                                      | 23,00          | PHC 160SHH-2X... |
|                    | 200SHH-2          | 63,50      | 39,68                                  | 37,85                                             | 19,85                               | 164,9      | 171,8               | –                                          | 60,30                                     | 9,50                      | 78,31                              | 1 091,0                             | 1 200,0                                    | 38,50          | PHC 200SHH-2X... |
|                    | 80SHH-3           | 25,40      | 15,88                                  | 15,75                                             | 7,94                                | 101,4      | 104,6               | –                                          | 24,10                                     | 4,00                      | 32,59                              | 267,6                               | 294,3                                      | 9,95           | PHC 80SHH-3X...  |
|                    | 100SHH-3          | 31,75      | 19,05                                  | 18,90                                             | 9,54                                | 121,8      | 125,1               | –                                          | 30,10                                     | 4,80                      | 39,09                              | 395,4                               | 435,0                                      | 14,53          | PHC 100SHH-3X... |
|                    | 120SHH-3          | 38,10      | 22,23                                  | 25,22                                             | 11,11                               | 151,2      | 155,2               | –                                          | 36,20                                     | 5,60                      | 48,87                              | 534,5                               | 588,0                                      | 21,12          | PHC 120SHH-3X... |
|                    | 140SHH-3          | 44,45      | 25,40                                  | 25,22                                             | 12,71                               | 162,0      | 166,6               | –                                          | 42,20                                     | 6,40                      | 52,20                              | 695,5                               | 765,0                                      | 25,88          | PHC 140SHH-3X... |
|                    | 160SHH-3          | 50,80      | 28,58                                  | 31,55                                             | 14,29                               | 192,0      | 196,8               | –                                          | 48,20                                     | 7,20                      | 61,90                              | 882,7                               | 971,0                                      | 34,22          | PHC 160SHH-3X... |
|                    | 200SHH-3          | 63,50      | 39,68                                  | 37,85                                             | 19,85                               | 243,2      | 250,1               | –                                          | 60,30                                     | 9,50                      | 78,31                              | 1 627,3                             | 1 790,0                                    | 57,29          | PHC 200SHH-3X... |

<sup>1)</sup> Bushing chain: d<sub>3</sub> indicates external diameter of bushing.

Standard lengths are 10 ft. and 5 m. To complete designation, add chain length. For example, a 5 m box of 160H-1 is PHC 160H-1X5MTR.

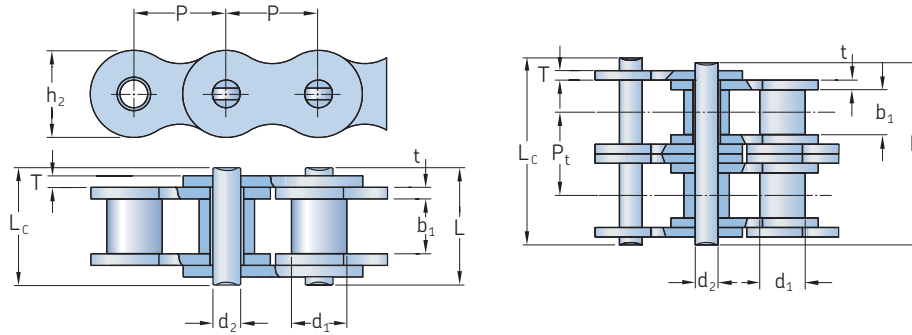
One connecting link is contained per chain. For additional links, add "C/L" for connecting and "O/L" for "offset" to the designation.

For cottered, add a "C" after the number of strands. For example, 160H-1 with a cottered pin is designated PHC 160H-1C...

For heavy duty multistrand chain drives with H, SH or SHH chains, special sprockets are needed due to differences in transverse pitch.

# SKF Xtra Corrosion Resistant Chains

Stainless steel chains | Nickel-plated, zinc-plated and dactrotized chains



| Corrosion resistance type | Chain number          | Dimensions |                                     |                                                |                                  |        | Pin length          |       | Inner plate height h <sub>2</sub> Max. | Plate thickness t Max. | T Max. | Ultimate tensile strength Q Min. | Mass per meter | Designation |
|---------------------------|-----------------------|------------|-------------------------------------|------------------------------------------------|----------------------------------|--------|---------------------|-------|----------------------------------------|------------------------|--------|----------------------------------|----------------|-------------|
|                           |                       | Pitch P    | Roller diameter d <sub>1</sub> Max. | Width between inner plates b <sub>1</sub> Min. | Pin diameter d <sub>2</sub> Max. | L Max. | L <sub>c</sub> Max. |       |                                        |                        |        |                                  |                |             |
|                           |                       | mm         |                                     |                                                |                                  |        |                     |       |                                        |                        |        |                                  |                |             |
| SS                        | 25-1SS <sup>1)</sup>  | 6,35       | 3,30                                | 3,18                                           | 2,31                             | 7,90   | 8,40                | 6,00  | 0,80                                   | 0,80                   | 2,5    | 0,15                             | PHC 25-1SS...  |             |
| Plated                    | 25-1 <sup>1)</sup>    | 6,35       | 3,30                                | 3,18                                           | 2,31                             | 7,90   | 8,40                | 6,00  | 0,80                                   | 0,80                   | 3,5    | 0,15                             | PHC 25-1...    |             |
| SS                        | 35-1SS <sup>1)</sup>  | 9,53       | 5,08                                | 4,77                                           | 3,58                             | 12,40  | 13,17               | 9,00  | 1,30                                   | 1,30                   | 5,5    | 0,33                             | PHC 35-1SS...  |             |
| Plated                    | 35-1 <sup>1)</sup>    | 9,53       | 5,08                                | 4,77                                           | 3,58                             | 12,40  | 13,17               | 9,00  | 1,30                                   | 1,30                   | 7,9    | 0,33                             | PHC 35-1...    |             |
| SS                        | 40-1SS                | 12,70      | 7,95                                | 7,85                                           | 3,96                             | 16,60  | 17,80               | 12,00 | 1,50                                   | 1,50                   | 9,6    | 0,63                             | PHC 40-1SS...  |             |
| Plated                    | 40-1                  | 12,70      | 7,95                                | 7,85                                           | 3,96                             | 16,60  | 17,80               | 12,00 | 1,50                                   | 1,50                   | 14,1   | 0,62                             | PHC 40-1...    |             |
| SS                        | 41-1SS                | 12,70      | 7,77                                | 6,25                                           | 3,58                             | 13,75  | 15,00               | 9,91  | 1,30                                   | 1,30                   | 6,0    | 0,46                             | PHC 41-1SS...  |             |
| Plated                    | 41-1                  | 12,70      | 7,77                                | 6,25                                           | 3,58                             | 13,75  | 15,00               | 9,91  | 1,30                                   | 1,30                   | 6,7    | 0,41                             | PHC 41-1...    |             |
| SS                        | 50-1SS                | 15,88      | 10,16                               | 9,40                                           | 5,08                             | 20,70  | 22,20               | 15,09 | 2,03                                   | 2,03                   | 15,2   | 1,03                             | PHC 50-1SS...  |             |
| Plated                    | 50-1                  | 15,88      | 10,16                               | 9,40                                           | 5,08                             | 20,70  | 22,20               | 15,09 | 2,03                                   | 2,03                   | 22,2   | 1,02                             | PHC 50-1...    |             |
| SS                        | 60-1SS                | 19,05      | 11,91                               | 12,57                                          | 5,94                             | 25,90  | 27,70               | 18,00 | 2,42                                   | 2,42                   | 21,7   | 1,51                             | PHC 60-1SS...  |             |
| Plated                    | 60-1                  | 19,05      | 11,91                               | 12,57                                          | 5,94                             | 25,90  | 27,70               | 18,00 | 2,42                                   | 2,42                   | 31,8   | 1,50                             | PHC 60-1...    |             |
| SS                        | 80-1SS                | 25,40      | 15,88                               | 15,75                                          | 7,92                             | 32,70  | 35,00               | 24,00 | 3,25                                   | 3,25                   | 38,9   | 2,62                             | PHC 80-1SS...  |             |
| Plated                    | 80-1                  | 25,40      | 15,88                               | 15,75                                          | 7,92                             | 32,70  | 35,00               | 24,00 | 3,25                                   | 3,25                   | 56,7   | 2,60                             | PHC 80-1...    |             |
| SS                        | 100-1SS               | 31,75      | 19,05                               | 18,90                                          | 9,53                             | 40,40  | 44,70               | 30,00 | 4,00                                   | 4,00                   | 60,0   | 3,94                             | PHC 100-1SS... |             |
| Plated                    | 100-1                 | 31,75      | 19,05                               | 18,90                                          | 9,53                             | 40,40  | 44,70               | 30,00 | 4,00                                   | 4,00                   | 88,5   | 3,91                             | PHC 100-1...   |             |
| SS                        | 120-1SS               | 38,10      | 22,23                               | 25,22                                          | 11,10                            | 50,30  | 54,30               | 35,70 | 4,80                                   | 4,80                   | 72,5   | 5,72                             | PHC 120-1SS... |             |
| Plated                    | 120-1                 | 38,10      | 22,23                               | 25,22                                          | 11,10                            | 50,30  | 54,30               | 35,70 | 4,80                                   | 4,80                   | 127,0  | 5,62                             | PHC 120-1...   |             |
| SS                        | 140-1SS               | 44,45      | 25,40                               | 25,22                                          | 12,70                            | 54,40  | 59,00               | 41,00 | 5,60                                   | 5,60                   | 94,0   | 7,70                             | PHC 140-1SS... |             |
| Plated                    | 140-1                 | 44,45      | 25,40                               | 25,22                                          | 12,70                            | 54,40  | 59,00               | 41,00 | 5,60                                   | 5,60                   | 172,4  | 7,50                             | PHC 140-1...   |             |
| Plated                    | 160-1                 | 50,80      | 28,58                               | 31,55                                          | 14,27                            | 64,80  | 69,60               | 47,80 | 6,40                                   | 6,40                   | 226,8  | 10,10                            | PHC 160-1...   |             |
| SS                        | 04B-1SS               | 6,00       | 4,00                                | 2,80                                           | 1,85                             | 6,80   | 7,80                | 5,00  | 0,60                                   | 0,60                   | 2,0    | 0,11                             | PHC 04B-1SS... |             |
| Plated                    | 04B-1                 | 6,00       | 4,00                                | 2,80                                           | 1,85                             | 6,80   | 7,80                | 5,00  | 0,60                                   | 0,60                   | 3,0    | 0,11                             | PHC 04B-1...   |             |
| SS                        | 05B-1SS               | 8,00       | 5,00                                | 3,00                                           | 2,31                             | 8,20   | 8,90                | 7,10  | 0,80                                   | 0,80                   | 3,5    | 0,20                             | PHC 05B-1SS... |             |
| Plated                    | 05B-1                 | 8,00       | 5,00                                | 3,00                                           | 2,31                             | 8,20   | 8,90                | 7,10  | 0,80                                   | 0,80                   | 5,0    | 0,20                             | PHC 05B-1...   |             |
| SS                        | 06B-1SS <sup>2)</sup> | 9,53       | 6,35                                | 5,72                                           | 3,28                             | 13,15  | 14,10               | 8,20  | 1,30                                   | 1,30                   | 6,2    | 0,41                             | PHC 06B-1SS... |             |
| Plated                    | 06B-1 <sup>2)</sup>   | 9,53       | 6,35                                | 5,72                                           | 3,28                             | 13,15  | 14,10               | 8,20  | 1,30                                   | 1,30                   | 9,0    | 0,41                             | PHC 06B-1...   |             |
| SS                        | 08B-1SS               | 12,70      | 8,51                                | 7,75                                           | 4,45                             | 16,70  | 18,20               | 11,80 | 1,60                                   | 1,60                   | 12,0   | 0,70                             | PHC 08B-1SS... |             |
| Plated                    | 08B-1                 | 12,70      | 8,51                                | 7,75                                           | 4,45                             | 16,70  | 18,20               | 11,80 | 1,60                                   | 1,60                   | 18,0   | 0,69                             | PHC 08B-1...   |             |
| SS                        | 10B-1SS               | 15,88      | 10,16                               | 9,65                                           | 5,08                             | 19,50  | 20,90               | 14,70 | 1,70                                   | 1,70                   | 14,5   | 0,94                             | PHC 10B-1SS... |             |
| Plated                    | 10B-1                 | 15,88      | 10,16                               | 9,65                                           | 5,08                             | 19,50  | 20,90               | 14,70 | 1,70                                   | 1,70                   | 22,4   | 0,93                             | PHC 10B-1...   |             |
| SS                        | 12B-1SS               | 19,05      | 12,07                               | 11,68                                          | 5,72                             | 22,50  | 24,20               | 16,00 | 1,85                                   | 1,85                   | 18,5   | 1,16                             | PHC 12B-1SS... |             |
| Plated                    | 12B-1                 | 19,05      | 12,07                               | 11,68                                          | 5,72                             | 22,50  | 24,20               | 16,00 | 1,85                                   | 1,85                   | 29,0   | 1,15                             | PHC 12B-1...   |             |
| SS                        | 16B-1SS               | 25,40      | 15,88                               | 17,02                                          | 8,28                             | 36,10  | 37,40               | 21,00 | 4,15                                   | 3,10                   | 40,0   | 2,73                             | PHC 16B-1SS... |             |
| Plated                    | 16B-1                 | 25,40      | 15,88                               | 17,02                                          | 8,28                             | 36,10  | 37,40               | 21,00 | 4,15                                   | 3,10                   | 60,0   | 2,71                             | PHC 16B-1...   |             |
| SS                        | 20B-1SS               | 31,75      | 19,05                               | 19,56                                          | 10,19                            | 41,30  | 45,00               | 26,40 | 4,50                                   | 3,50                   | 59,0   | 3,73                             | PHC 20B-1SS... |             |
| Plated                    | 20B-1                 | 31,75      | 19,05                               | 19,56                                          | 10,19                            | 41,30  | 45,00               | 26,40 | 4,50                                   | 3,50                   | 95,0   | 3,70                             | PHC 20B-1...   |             |
| SS                        | 24B-1SS               | 38,10      | 25,40                               | 25,40                                          | 14,63                            | 53,40  | 57,80               | 33,20 | 6,00                                   | 4,80                   | 104,0  | 7,20                             | PHC 24B-1SS... |             |
| Plated                    | 24B-1                 | 38,10      | 25,40                               | 25,40                                          | 14,63                            | 53,40  | 57,80               | 33,20 | 6,00                                   | 4,80                   | 160,0  | 7,10                             | PHC 24B-1...   |             |
| Plated                    | 28B-1                 | 44,45      | 27,94                               | 30,99                                          | 15,90                            | 65,10  | 69,50               | 36,70 | 7,50                                   | 6,00                   | 200,0  | 8,50                             | PHC 28B-1...   |             |
| SS                        | 32B-1SS               | 50,80      | 29,21                               | 30,99                                          | 17,81                            | 66,00  | 71,00               | 42,00 | 7,00                                   | 6,00                   | 150,0  | 10,22                            | PHC 32B-1SS... |             |
| Plated                    | 32B-1                 | 50,80      | 29,21                               | 30,99                                          | 17,81                            | 66,00  | 71,00               | 42,00 | 7,00                                   | 6,00                   | 250,0  | 10,25                            | PHC 32B-1...   |             |

<sup>1)</sup> Bushing chain: d<sub>2</sub> indicates external diameter of bushing. <sup>2)</sup> Straight side plates. Note: Duplex and double pitch plated chains are available in all sizes.

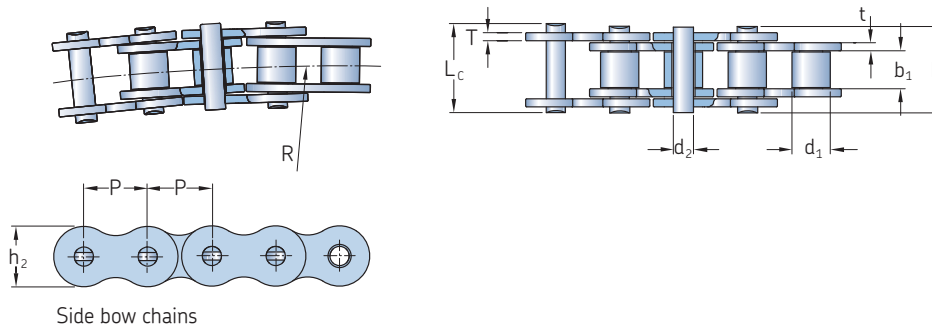
When ordering plated chains, add suffix according to material selection after chain number: DR for dactrotized, NP for nickel-plated and ZP for zinc plated. For example, PHC 50-1DR... 50-1 ANSI Simplex dactrotized chain and PHC 60-2NP... ANSI Duplex nickel-plated chain.

Standard lengths are 10 ft. and 5 m. To complete designation, add chain length. For example, a 10 ft. box of 12B-1NP is PHC 12B-1NPX10FT.

One connecting link is contained per chain. For additional links, add "C/L" for "connecting" and "O/L" for "offset" to the designation.

## Roller chains

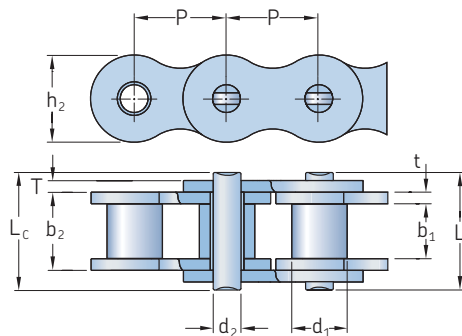
### Side bow | SKF Xtra Performance SLR Chains



Side bow chains

| Chain number | Dimensions   |                                  | Width between inner plates<br>$b_1$<br>Min. | Pin diameter<br>$d_2$<br>Max. | Pin length |               | Inner plate height<br>$h_2$<br>Max. | Plate thickness |           | Side bow radius<br>$R$<br>Min. | Ultimate tensile strength<br>$Q$<br>Min. | Average tensile strength<br>$Q_0$ | Mass per meter | Designation      |
|--------------|--------------|----------------------------------|---------------------------------------------|-------------------------------|------------|---------------|-------------------------------------|-----------------|-----------|--------------------------------|------------------------------------------|-----------------------------------|----------------|------------------|
|              | Pitch<br>$P$ | Roller diameter<br>$d_1$<br>Max. |                                             |                               | L<br>Max.  | $L_c$<br>Max. |                                     | t<br>Max.       | T<br>Max. |                                |                                          |                                   |                |                  |
| mm           |              |                                  |                                             |                               |            |               |                                     |                 |           |                                |                                          |                                   |                |                  |
| 40-1SB       | 12,70        | 7,95                             | 7,85                                        | 3,96                          | 16,9       | 18,1          | 11,7                                | 1,50            | 1,50      | 350                            | 13,8                                     | 15,2                              | 0,80           | PHC 40-1SB...    |
| 43-1SB       | 12,70        | 7,95                             | 7,85                                        | 3,45                          | 18,3       | 19,5          | 11,7                                | 1,50            | 1,50      | 305                            | 12,0                                     | 13,2                              | 0,64           | PHC 43-1SB...    |
| 50-1SB       | 15,88        | 10,16                            | 9,40                                        | 4,37                          | 20,7       | 22,7          | 14,9                                | 2,03            | 2,03      | 400                            | 20,6                                     | 22,7                              | 1,09           | PHC 50-1SB...    |
| 60-1SB       | 19,05        | 11,91                            | 12,57                                       | 5,34                          | 26,6       | 28,4          | 18,0                                | 2,42            | 2,42      | 500                            | 15,7                                     | 17,3                              | 1,54           | PHC 60-1SB...    |
| 63-1SB       | 19,05        | 11,91                            | 12,68                                       | 5,08                          | 28,8       | 30,6          | 17,2                                | 2,42            | 2,03      | 350                            | 12,5                                     | 20,0                              | 1,40           | PHC 63-1SB...    |
| 80-1SB       | 25,40        | 15,88                            | 15,75                                       | 7,19                          | 34,0       | 37,3          | 24,0                                | 3,25            | 3,25      | 711                            | 40,9                                     | 42,0                              | 2,60           | PHC 80-1SB...    |
| 08B-1SB      | 12,70        | 8,51                             | 7,75                                        | 3,97                          | 17,4       | 18,7          | 11,8                                | 1,60            | 1,60      | 400                            | 14,0                                     | 15,4                              | 0,70           | PHC 08B-1SB...   |
| 10B-1SB      | 15,88        | 10,16                            | 9,65                                        | 4,50                          | 20,1       | 21,5          | 14,7                                | 1,70            | 1,70      | 400                            | 15,6                                     | 17,2                              | 0,93           | PHC 10B-1SB...   |
| 12B-1SB      | 19,05        | 12,07                            | 11,68                                       | 5,12                          | 23,1       | 24,8          | 16,0                                | 1,85            | 1,85      | 500                            | 20,5                                     | 22,6                              | 1,16           | PHC 12B-1SB...   |
| C2050-1SB    | 31,75        | 10,16                            | 9,40                                        | 5,08                          | 21,3       | 22,6          | 15,0                                | 2,03            | 2,03      | 800                            | 21,8                                     | 24,1                              | 0,84           | PHC C2050-1SB... |

Standard lengths are 10 ft. and 5 m. To complete designation, add chain length. For example, a 5 m box of 60-1SB is PHC 60-1SBX5MTR. One connecting link is contained per chain. For additional links, add "C/L" for "connecting" and "O/L" for "offset" to the designation.

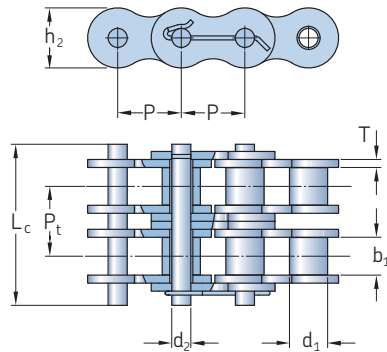


SKF Xtra Performance SLR Chains

| Chain number | Dimensions   |                                  | Width between inner plates<br>$b_1$<br>Min. | Width between outer plates<br>$b_2$<br>Min. | Pin diameter<br>$d_2$<br>Max. | Pin length |               | Inner plate height<br>$h_2$<br>Max. | Plate thickness |           | Ultimate tensile strength<br>$Q$<br>Min. | Mass per meter | Designation     |
|--------------|--------------|----------------------------------|---------------------------------------------|---------------------------------------------|-------------------------------|------------|---------------|-------------------------------------|-----------------|-----------|------------------------------------------|----------------|-----------------|
|              | Pitch<br>$P$ | Roller diameter<br>$d_1$<br>Max. |                                             |                                             |                               | L<br>Max.  | $L_c$<br>Max. |                                     | t<br>Max.       | T<br>Max. |                                          |                |                 |
| mm           |              |                                  |                                             |                                             |                               |            |               |                                     |                 |           |                                          |                |                 |
| 08B-1SLR     | 12,70        | 8,51                             | 7,75                                        | 13,03                                       | 4,45                          | 16,7       | 18,2          | 11,8                                | 1,60            | 1,60      | 18,0                                     | 0,69           | PHC 08B-1SLR... |
| 10B-1SLR     | 15,88        | 10,16                            | 9,65                                        | 13,75                                       | 5,08                          | 19,5       | 20,9          | 14,7                                | 1,70            | 1,70      | 22,4                                     | 0,93           | PHC 10B-1SLR... |
| 12B-1SLR     | 19,05        | 12,07                            | 11,68                                       | 15,75                                       | 5,72                          | 22,5       | 24,2          | 16,0                                | 1,85            | 1,85      | 29,0                                     | 1,15           | PHC 12B-1SLR... |
| 16B-1SLR     | 25,40        | 15,88                            | 17,02                                       | 27,50                                       | 8,28                          | 36,1       | 37,4          | 21,0                                | 4,15            | 3,10      | 60,0                                     | 2,71           | PHC 16B-1SLR... |
| 12B-2SLR     | 19,05        | 12,07                            | 11,68                                       | 35,21                                       | 5,72                          | 42,0       | 43,6          | 16,0                                | 1,85            | 1,85      | 58,0                                     | 2,31           | PHC 12B-2SLR... |
| 16B-2SLR     | 25,40        | 15,88                            | 17,02                                       | 57,46                                       | 8,28                          | 68,0       | 69,3          | 21,0                                | 4,15            | 3,10      | 106,0                                    | 5,42           | PHC 16B-2SLR... |
| 40-1SLR      | 12,70        | 7,95                             | 7,85                                        | 12,25                                       | 3,96                          | 16,6       | 17,8          | 12,0                                | 1,50            | 1,50      | 14,1                                     | 0,62           | PHC 40-1SLR...  |
| 50-1SLR      | 15,88        | 10,16                            | 9,40                                        | 13,84                                       | 5,08                          | 20,7       | 22,2          | 15,1                                | 2,03            | 2,03      | 21,8                                     | 1,02           | PHC 50-1SLR...  |
| 60-1SLR      | 19,05        | 11,91                            | 12,57                                       | 19,35                                       | 5,94                          | 27,5       | 29,3          | 18,0                                | 2,42            | 2,42      | 34,2                                     | 1,65           | PHC 60-1SLR...  |
| 80-1SLR      | 25,40        | 15,88                            | 15,75                                       | 22,66                                       | 7,92                          | 32,7       | 35,0          | 24,0                                | 3,25            | 3,25      | 56,7                                     | 2,60           | PHC 80-1SLR...  |
| 100-1SLR     | 31,75        | 19,05                            | 18,90                                       | 27,51                                       | 9,53                          | 40,4       | 44,7          | 30,0                                | 4,00            | 4,00      | 86,7                                     | 3,94           | PHC 100-1SLR... |
| 60-2SLR      | 19,05        | 11,91                            | 12,57                                       | 42,13                                       | 5,94                          | 50,3       | 52,1          | 18,0                                | 3,25            | 2,42      | 68,4                                     | 3,21           | PHC 60-2SLR...  |

Standard lengths are 10 ft. and 5 m. To complete designation, add chain length. For example, a 10 ft. box of 10B-1SLR is PHC 10B-1SLRX10FT. One connecting link is contained per chain. For additional links, add "C/L" for "connecting" and "O/L" for "offset" to the designation.

# Oil field chains



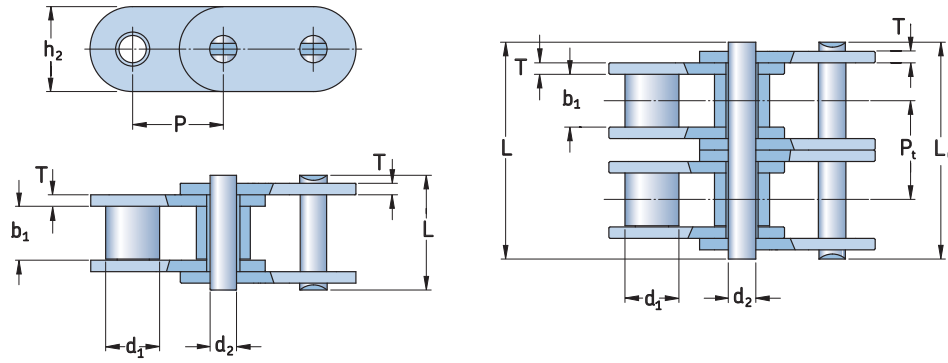
| Chain number | ANSI Chain number | Dimensions |                                     | Pin diameter d <sub>2</sub> Max. | Pin length L Max. | Inner plate height h <sub>2</sub> Max. | Plate thickness T Max. | Transverse pitch P <sub>t</sub> | Ultimate tensile strength Q Min. | Mass per meter | Designation |              |
|--------------|-------------------|------------|-------------------------------------|----------------------------------|-------------------|----------------------------------------|------------------------|---------------------------------|----------------------------------|----------------|-------------|--------------|
|              |                   | Pitch P    | Roller diameter d <sub>1</sub> Max. |                                  |                   |                                        |                        |                                 |                                  |                |             |              |
| -            | -                 | mm         |                                     |                                  |                   |                                        |                        |                                 | kN                               | kg/m           | -           |              |
| 165-1        | 80-1              | 25,40      | 15,88                               | 15,75                            | 7,92              | 37,55                                  | 24,1                   | 3,25                            | -                                | 55,6           | 2,60        | PHC 165-1... |
| 205-1        | 100-1             | 31,75      | 19,05                               | 18,90                            | 9,53              | 44,30                                  | 30,0                   | 4,00                            | -                                | 86,9           | 3,91        | PHC 205-1... |
| 245-1        | 120-1             | 38,10      | 22,23                               | 25,22                            | 11,10             | 54,40                                  | 36,2                   | 4,80                            | -                                | 125,1          | 5,62        | PHC 245-1... |
| 285-1        | 140-1             | 44,45      | 25,40                               | 25,22                            | 12,70             | 59,00                                  | 42,2                   | 5,60                            | -                                | 170,3          | 7,50        | PHC 285-1... |
| 325-1        | 160-1             | 50,80      | 28,58                               | 31,55                            | 14,27             | 69,60                                  | 48,2                   | 6,40                            | -                                | 222,4          | 10,10       | PHC 325-1... |
| 365-1        | 180-1             | 57,15      | 35,71                               | 35,48                            | 17,46             | 78,60                                  | 54,3                   | 7,20                            | -                                | 281,5          | 13,45       | PHC 365-1... |
| 405-1        | 200-1             | 63,50      | 39,68                               | 37,85                            | 19,85             | 87,20                                  | 60,3                   | 8,00                            | -                                | 347,5          | 16,15       | PHC 405-1... |
| 165-2        | 80-2              | 25,40      | 15,88                               | 15,75                            | 7,92              | 66,80                                  | 24,1                   | 3,25                            | 29,29                            | 111,2          | 5,15        | PHC 165-2... |
| 205-2        | 100-2             | 31,75      | 19,05                               | 18,90                            | 9,53              | 80,50                                  | 30,1                   | 4,00                            | 35,76                            | 173,7          | 7,80        | PHC 205-2... |
| 245-2        | 120-2             | 38,10      | 22,23                               | 25,22                            | 11,10             | 99,70                                  | 36,2                   | 4,80                            | 45,44                            | 250,2          | 11,70       | PHC 245-2... |
| 285-2        | 140-2             | 44,45      | 25,40                               | 25,22                            | 12,70             | 107,80                                 | 42,2                   | 5,60                            | 48,87                            | 340,5          | 15,14       | PHC 285-2... |
| 325-2        | 160-2             | 50,80      | 28,58                               | 31,55                            | 14,27             | 127,50                                 | 48,2                   | 6,40                            | 58,55                            | 444,8          | 20,14       | PHC 325-2... |
| 365-2        | 180-2             | 57,15      | 35,71                               | 35,48                            | 17,46             | 144,40                                 | 54,3                   | 7,20                            | 65,84                            | 562,9          | 29,22       | PHC 365-2... |
| 405-2        | 200-2             | 63,50      | 39,68                               | 37,85                            | 19,85             | 158,80                                 | 60,3                   | 8,00                            | 71,55                            | 695,0          | 32,24       | PHC 405-2... |
| 165-3        | 80-3              | 25,40      | 15,88                               | 15,75                            | 7,92              | 96,10                                  | 24,1                   | 3,25                            | 29,29                            | 166,8          | 7,89        | PHC 165-3... |
| 205-3        | 100-3             | 31,75      | 19,05                               | 18,90                            | 9,53              | 116,30                                 | 30,1                   | 4,00                            | 35,76                            | 260,6          | 11,77       | PHC 205-3... |
| 245-3        | 120-3             | 38,10      | 22,23                               | 25,22                            | 11,10             | 145,20                                 | 36,2                   | 4,80                            | 45,44                            | 375,3          | 17,53       | PHC 245-3... |
| 285-3        | 140-3             | 44,45      | 25,40                               | 25,22                            | 12,70             | 156,80                                 | 42,2                   | 5,60                            | 48,87                            | 510,8          | 22,20       | PHC 285-3... |
| 325-3        | 160-3             | 50,80      | 28,58                               | 31,55                            | 14,27             | 186,60                                 | 48,2                   | 6,40                            | 58,55                            | 667,2          | 30,02       | PHC 325-3... |
| 365-3        | 180-3             | 57,15      | 35,71                               | 35,48                            | 17,46             | 210,20                                 | 54,3                   | 7,20                            | 65,84                            | 844,4          | 38,22       | PHC 365-3... |
| 405-3        | 200-3             | 63,50      | 39,68                               | 37,85                            | 19,85             | 230,40                                 | 60,3                   | 8,00                            | 71,55                            | 1 042,5        | 49,03       | PHC 405-3... |
| 165-4        | 80-4              | 25,40      | -                                   | 15,75                            | 7,92              | 122,90                                 | 24,1                   | 3,25                            | 29,29                            | 222,4          | 10,24       | PHC 165-4... |
| 205-4        | 100-4             | 31,75      | 19,05                               | 18,90                            | 9,53              | 151,50                                 | 30,1                   | 4,00                            | 35,76                            | 347,5          | 15,39       | PHC 205-4... |
| 245-4        | 120-4             | 38,10      | 22,23                               | 25,22                            | 11,10             | 190,60                                 | 36,2                   | 4,80                            | 45,44                            | 500,4          | 22,19       | PHC 245-4... |
| 285-4        | 140-4             | 44,45      | 25,40                               | 25,22                            | 12,70             | 205,70                                 | 42,2                   | 5,60                            | 48,87                            | 681,1          | 29,63       | PHC 285-4... |
| 325-4        | 160-4             | 50,80      | 28,58                               | 31,55                            | 14,27             | 245,20                                 | 48,2                   | 6,40                            | 58,55                            | 889,6          | 39,94       | PHC 325-4... |
| 405-4        | 200-4             | 63,50      | 39,68                               | 37,85                            | 19,85             | 302,00                                 | 60,3                   | 8,00                            | 71,55                            | 1 390,0        | 63,60       | PHC 405-4... |
| 165-5        | 80-5              | 25,40      | -                                   | 15,75                            | 7,92              | 152,20                                 | 24,1                   | 3,25                            | 29,29                            | 278,0          | 12,79       | PHC 165-5... |
| 205-5        | 100-5             | 31,75      | 19,05                               | 18,90                            | 9,53              | 187,80                                 | 30,1                   | 4,00                            | 35,76                            | 434,4          | 19,22       | PHC 205-5... |
| 245-5        | 120-5             | 38,10      | 22,23                               | 25,22                            | 11,10             | 236,10                                 | 36,2                   | 4,80                            | 45,44                            | 625,5          | 27,71       | PHC 245-5... |
| 165-6        | 80-6              | 25,40      | 15,88                               | 15,75                            | 7,92              | 181,50                                 | 24,1                   | 3,25                            | 29,29                            | 333,6          | 15,34       | PHC 165-6... |
| 205-6        | 100-6             | 31,75      | 19,05                               | 18,90                            | 9,53              | 223,60                                 | 30,1                   | 4,00                            | 35,76                            | 521,2          | 23,05       | PHC 205-6... |
| 245-6        | 120-6             | 38,10      | 22,23                               | 25,22                            | 11,10             | 281,60                                 | 36,2                   | 4,80                            | 45,44                            | 750,6          | 33,24       | PHC 245-6... |
| 285-6        | 140-6             | 44,45      | 25,40                               | 25,22                            | 12,70             | 303,40                                 | 42,2                   | 5,60                            | 48,87                            | 1 021,6        | 44,38       | PHC 285-6... |
| 325-6        | 160-6             | 50,80      | 28,58                               | 31,55                            | 14,27             | 362,30                                 | 48,2                   | 6,40                            | 58,55                            | 1 334,4        | 59,83       | PHC 325-6... |
| 405-6        | 200-6             | 63,50      | 39,68                               | 37,85                            | 19,85             | 445,00                                 | 60,3                   | 8,00                            | 71,55                            | 2 085,0        | 95,23       | PHC 405-6... |
| 165-8        | 80-8              | 25,40      | 15,88                               | 15,75                            | 7,92              | 240,10                                 | 24,1                   | 3,25                            | 29,29                            | 444,8          | 20,44       | PHC 165-8... |
| 205-8        | 100-8             | 31,75      | 19,05                               | 18,90                            | 9,53              | 295,10                                 | 30,1                   | 4,00                            | 35,76                            | 695,0          | 30,71       | PHC 205-8... |
| 245-8        | 120-8             | 38,10      | 22,23                               | 25,22                            | 11,10             | 372,40                                 | 36,2                   | 4,80                            | 45,44                            | 1 000,8        | 44,28       | PHC 245-8... |

Standard lengths are 10 ft. To complete designation, add chain length. For example, a 10 ft. box of 405-6 is PHC 405-6X10FT. One connecting link is contained per chain. For additional links, add "C/L" for "connecting" and "O/L" for "offset" to the designation.



# Straight side plate chains

A series | B series

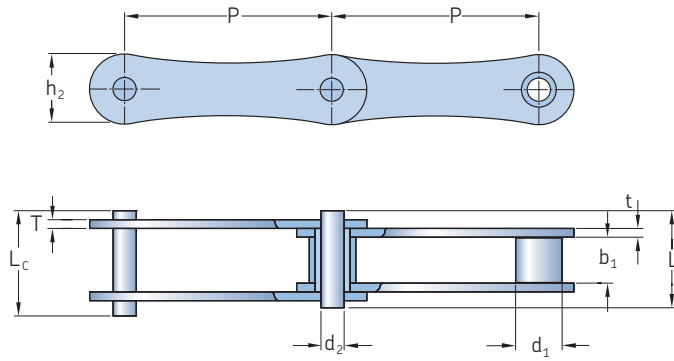


| Series    | DIN/ISO Chain number | ANSI Chain number | Dimensions |                       |                                  |                    |       | Pin length | Inner plate height | Plate thickness |       | Transverse pitch | Ultimate tensile strength | Average tensile strength | Mass per meter   | Designation      |
|-----------|----------------------|-------------------|------------|-----------------------|----------------------------------|--------------------|-------|------------|--------------------|-----------------|-------|------------------|---------------------------|--------------------------|------------------|------------------|
|           |                      |                   | Pitch      | Roller diameter $d_1$ | Width between inner plates $b_1$ | Pin diameter $d_2$ |       |            |                    | t               | T     |                  |                           |                          |                  |                  |
|           |                      |                   | mm         |                       |                                  |                    |       |            |                    |                 |       |                  | kN                        | kg/m                     | -                |                  |
| A         | C06A-1               | C35 <sup>1)</sup> | 9,525      | 5,08                  | 4,77                             | 3,58               | 13,3  | 14,3       | 9,0                | -               | 1,3   | -                | 7,9                       | 10,8                     | 0,41             | PHC C35-1...     |
|           | C08A-1               | C40               | 12,700     | 7,95                  | 7,85                             | 3,96               | 16,6  | 18,8       | 12,0               | -               | 1,5   | -                | 14,1                      | 17,5                     | 0,73             | PHC C40-1...     |
|           | C10A-1               | C50               | 15,875     | 10,16                 | 9,40                             | 5,08               | 20,7  | 23,3       | 15,1               | -               | 2,0   | -                | 22,2                      | 29,4                     | 1,23             | PHC C50-1...     |
|           | C12A-1               | C60               | 19,050     | 11,91                 | 12,57                            | 5,94               | -     | 28,3       | 18,0               | -               | 2,4   | -                | 31,8                      | 41,5                     | 1,81             | PHC C60-1...     |
|           | C16A-1               | C80               | 25,400     | 15,88                 | 15,75                            | 7,92               | 32,7  | 36,5       | 24,0               | -               | 3,3   | -                | 56,7                      | 60,4                     | 3,09             | PHC C80-1...     |
|           | C20A-1               | C100              | 31,750     | 19,05                 | 18,90                            | 9,53               | 40,4  | 44,7       | 30,0               | -               | 4,0   | -                | 88,5                      | 109,2                    | 4,56             | PHC C100-1...    |
|           | C24A-1               | C120              | 38,100     | 22,23                 | 25,22                            | 11,10              | 50,3  | 54,3       | 35,7               | -               | 4,8   | -                | 127,0                     | 166,3                    | 6,86             | PHC C120-1...    |
|           | C28A-1               | C140              | 44,450     | 25,40                 | 25,22                            | 12,70              | 54,4  | 59,0       | 41,0               | -               | 5,6   | -                | 172,4                     | 212,0                    | 8,49             | PHC C140-1...    |
|           | C32A-1               | C160              | 50,800     | 28,58                 | 31,55                            | 14,27              | 64,8  | 69,6       | 47,8               | -               | 6,4   | -                | 226,8                     | 278,9                    | 11,50            | PHC C160-1...    |
|           | C08A-2               | C40-2             | 12,700     | 7,95                  | 7,85                             | 3,96               | 31,0  | 33,2       | 12,0               | -               | 1,5   | 14,38            | 28,2                      | 35,9                     | 1,43             | PHC C40-2...     |
|           | C10A-2               | C50-2             | 15,875     | 10,16                 | 9,40                             | 5,08               | 38,9  | 41,4       | 15,1               | -               | 2,0   | 18,11            | 44,4                      | 58,1                     | 2,42             | PHC C50-2...     |
|           | C12A-2               | C60-2             | 19,050     | 11,91                 | 12,57                            | 5,94               | 48,8  | 51,1       | 18,0               | -               | 2,4   | 22,78            | 63,6                      | 82,1                     | 3,58             | PHC C60-2...     |
|           | C16A-2               | C80-2             | 25,400     | 15,88                 | 15,75                            | 7,92               | 62,7  | 65,8       | 24,0               | -               | 3,3   | 29,29            | 113,4                     | 141,8                    | 6,12             | PHC C80-2...     |
|           | C20A-2               | C100-2            | 31,750     | 19,05                 | 18,90                            | 9,53               | 76,4  | 80,5       | 30,0               | -               | 4,0   | 35,76            | 177,0                     | 219,4                    | 9,08             | PHC C100-2...    |
|           | C34A-2               | C120-2            | 38,100     | 22,23                 | 25,22                            | 11,10              | 95,8  | 99,7       | 35,7               | -               | 4,8   | 45,44            | 254,0                     | 314,9                    | 13,60            | PHC C120-2...    |
|           | C28A-2               | C 140-2           | 44,450     | 25,40                 | 25,22                            | 12,70              | 103,3 | 107,9      | 41,0               | -               | 5,6   | 48,87            | 344,8                     | 427,5                    | 16,86            | PHC C140-2...    |
|           | C32A-2               | C 180-2           | 50,800     | 28,58                 | 31,55                            | 14,27              | 123,3 | 128,1      | 47,8               | -               | 6,4   | 58,55            | 453,6                     | 562,4                    | 22,90            | PHC C180-2...    |
|           | C08A-3               | C40-3             | 12,700     | 7,95                  | 7,85                             | 3,96               | 45,4  | 47,6       | 12,0               | -               | 1,5   | 14,38            | 42,3                      | 50,0                     | 2,14             | PHC C40-3...     |
|           | C10A-3               | C50-3             | 15,875     | 10,16                 | 9,40                             | 5,08               | 57,0  | 59,5       | 15,1               | -               | 2,0   | 18,11            | 66,6                      | 77,8                     | 3,62             | PHC C50-3...     |
|           | C12A-3               | C60-3             | 19,050     | 11,91                 | 12,57                            | 5,94               | 71,5  | 73,9       | 18,0               | -               | 2,4   | 22,78            | 95,4                      | 111,1                    | 5,36             | PHC C60-3...     |
|           | C16A-3               | C80-3             | 25,400     | 15,88                 | 15,75                            | 7,92               | 91,7  | 95,1       | 24,0               | -               | 3,3   | 29,29            | 170,1                     | 198,4                    | 9,10             | PHC C80-3...     |
| C20A-3    | C100-3               | 31,750            | 19,05      | 18,90                 | 9,53                             | 112,2              | 116,3 | 30,0       | -                  | 4,0             | 35,76 | 265,5            | 309,6                     | 13,60                    | PHC C100-3...    |                  |
| C24A-3    | C120-3               | 38,100            | 22,23      | 25,22                 | 11,10                            | 141,4              | 145,2 | 35,7       | -                  | 4,8             | 45,44 | 381,0            | 437,2                     | 20,43                    | PHC C120-3...    |                  |
| C28A-3    | C140-3               | 44,450            | 25,40      | 25,22                 | 12,70                            | 152,2              | 156,8 | 41,0       | -                  | 5,6             | 48,87 | 517,2            | 593,3                     | 25,23                    | PHC C140-3...    |                  |
| C32A-3    | C160-3               | 50,800            | 28,58      | 31,55                 | 14,27                            | 181,8              | 186,6 | 47,8       | -                  | 6,4             | 58,55 | 680,4            | 780,6                     | 34,49                    | PHC C160-3...    |                  |
| B         | C08B-1               | -                 | 12,700     | 8,51                  | 7,75                             | 4,45               | 16,7  | 18,2       | 11,8               | 1,6             | 1,6   | -                | 18,0                      | 19,5                     | 0,80             | PHC C08B-1...    |
|           | C10B-1               | -                 | 15,880     | 10,16                 | 9,65                             | 5,08               | 19,5  | 20,9       | 14,7               | 1,7             | 1,7   | -                | 22,4                      | 27,9                     | 1,06             | PHC C10B-1...    |
|           | C12B-1               | -                 | 19,060     | 12,07                 | 11,68                            | 5,72               | 22,5  | 25,2       | 16,0               | 1,9             | 1,9   | -                | 29,0                      | 32,2                     | 1,32             | PHC C12B-1...    |
|           | C16BX21-1            | -                 | 25,400     | 15,88                 | 17,02                            | 8,28               | 36,1  | 39,1       | 21,0               | 4,2             | 3,1   | -                | 60,0                      | 72,8                     | 3,08             | PHC C16BX21-1... |
|           | C16BX24-1            | -                 | 25,400     | 15,88                 | 17,02                            | 8,28               | 36,1  | 39,1       | 24,0               | 4,2             | 3,1   | -                | 60,0                      | 72,8                     | 3,49             | PHC C16BX24-1... |
|           | C20B-1               | -                 | 31,750     | 19,05                 | 19,56                            | 10,19              | 41,3  | 45,0       | 26,4               | 4,5             | 3,5   | -                | 95,0                      | 106,7                    | 4,16             | PHC C20B-1...    |
|           | C24B-1               | -                 | 38,100     | 25,40                 | 25,40                            | 14,63              | 53,4  | 57,8       | 33,2               | 6,0             | 4,8   | -                | 160,0                     | 178,0                    | 7,47             | PHC C24B-1...    |
|           | C28B-1               | -                 | 44,450     | 27,94                 | 30,99                            | 15,90              | 66,1  | 69,5       | 36,7               | 7,5             | 6,0   | -                | 200,0                     | 222,0                    | 9,90             | PHC C28B-1...    |
|           | C32B-1               | -                 | 50,800     | 29,21                 | 30,99                            | 17,81              | 66,0  | 71,0       | 42,0               | 7,0             | 6,0   | -                | 250,0                     | 277,5                    | 10,45            | PHC C32B-1...    |
|           | C08B-2               | -                 | 12,700     | 8,51                  | 7,75                             | 4,45               | 31,2  | 32,2       | 11,8               | 1,6             | 1,6   | 13,92            | 32,0                      | 38,7                     | 1,45             | PHC C08B-2...    |
|           | C10B-2               | -                 | 15,880     | 10,16                 | 9,65                             | 5,08               | 36,1  | 37,5       | 14,7               | 1,7             | 1,7   | 16,59            | 44,5                      | 57,8                     | 2,00             | PHC C10B-2...    |
|           | C12B-2               | -                 | 19,050     | 12,07                 | 11,68                            | 5,72               | 42,0  | 44,7       | 16,0               | 1,9             | 1,9   | 19,46            | 57,8                      | 66,1                     | 2,62             | PHC C12B-2...    |
|           | C16BX21-2            | -                 | 25,400     | 15,88                 | 17,02                            | 8,28               | 68,0  | 71,0       | 21,0               | 4,2             | 3,1   | 31,88            | 106,0                     | 133,0                    | 6,10             | PHC C16BX21-2... |
|           | C16BX24-2            | -                 | 25,400     | 15,88                 | 17,02                            | 8,28               | 68,0  | 71,0       | 24,0               | 4,2             | 3,1   | 31,88            | 106,0                     | 133,0                    | 6,92             | PHC C16BX24-2... |
|           | C20B-2               | -                 | 31,750     | 19,05                 | 19,56                            | 10,19              | 77,8  | 81,5       | 26,4               | 4,5             | 3,5   | 36,45            | 170,0                     | 211,2                    | 8,23             | PHC C20B-2...    |
|           | C24B-2               | -                 | 38,100     | 25,40                 | 25,40                            | 14,63              | 101,7 | 106,2      | 33,2               | 6,0             | 4,8   | 48,36            | 280,0                     | 319,2                    | 14,77            | PHC C24B-2...    |
|           | C28B-2               | -                 | 44,450     | 27,94                 | 30,99                            | 15,90              | 124,6 | 129,1      | 36,7               | 7,5             | 6,0   | 59,56            | 360,0                     | 406,8                    | 19,82            | PHC C28B-2...    |
|           | C32B-2               | -                 | 50,800     | 29,21                 | 30,99                            | 17,81              | 124,6 | 129,6      | 42,0               | 7,0             | 6,0   | 58,65            | 450,0                     | 508,5                    | 20,94            | PHC C32B-2...    |
|           | C08B-3               | -                 | 12,700     | 8,51                  | 7,75                             | 4,45               | 45,1  | 46,1       | 11,8               | 1,6             | 1,6   | 13,92            | 47,5                      | 57,8                     | 2,10             | PHC C08B-3...    |
|           | C10B-3               | -                 | 15,880     | 10,16                 | 9,65                             | 5,08               | 52,7  | 54,1       | 14,7               | 1,7             | 1,7   | 16,59            | 66,7                      | 84,5                     | 2,87             | PHC C10B-3...    |
|           | C12B-3               | -                 | 19,050     | 12,07                 | 11,66                            | 5,72               | 61,5  | 64,2       | 16,0               | 1,9             | 1,9   | 19,46            | 86,7                      | 101,8                    | 3,89             | PHC C12B-3...    |
| C16BX21-3 | -                    | 25,400            | 15,88      | 17,02                 | 8,28                             | 99,8               | 102,9 | 21,0       | 4,2                | 3,1             | 31,88 | 160,0            | 203,7                     | 9,12                     | PHC C16BX21-3... |                  |
| C16BX24-3 | -                    | 25,400            | 15,88      | 17,02                 | 8,28                             | 99,8               | 102,9 | 24,0       | 4,2                | 3,1             | 31,88 | 160,0            | 203,7                     | 10,34                    | PHC C16BX24-3... |                  |
| C20B-3    | -                    | 31,750            | 19,05      | 19,56                 | 10,19                            | 114,2              | 117,9 | 26,4       | 4,5                | 3,5             | 36,45 | 250,0            | 290,0                     | 11,34                    | PHC C20B-3...    |                  |
| C24B-3    | -                    | 38,100            | 25,40      | 25,40                 | 14,63                            | 150,1              | 154,6 | 33,2       | 6,0                | 4,8             | 48,36 | 425,0            | 493,0                     | 22,10                    | PHC C24B-3...    |                  |
| C28B-3    | -                    | 44,450            | 27,94      | 30,99                 | 15,90                            | 184,2              | 188,7 | 36,7       | 7,5                | 6,0             | 59,56 | 530,0            | 609,5                     | 29,64                    | PHC C28B-3...    |                  |
| C32B-3    | -                    | 50,800            | 29,21      | 30,99                 | 17,81                            | 183,2              | 188,2 | 42,0       | 7,0                | 6,0             | 58,55 | 670,0            | 770,5                     | 31,27                    | PHC C32B-3...    |                  |

<sup>1)</sup> Bushing chain:  $d_1$  in the table indicates the external diameter of the bushing. Standard lengths are 10 ft. and 5 m. To complete designation, add chain length. For example, a 10 ft. box of C08A-1 is PHC C08A-1X10FT. One connecting link is contained per chain. For additional links, add "C/L" for "connecting" and "O/L" for "offset" to the designation.

## Double pitch chains

### Transmission chains

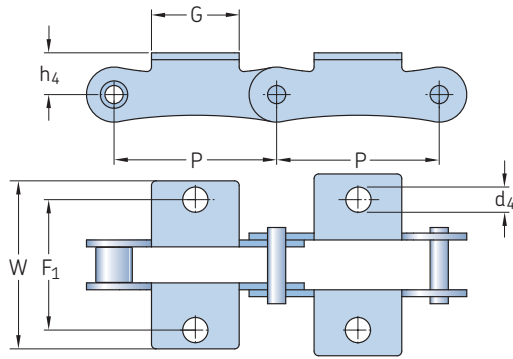


| ANSI Chain number | BS/ISO Chain number | Dimensions |                                  | Width between inner plates<br>$b_1$<br>Min. | Pin diameter<br>$d_2$<br>Max. | Pin length |               | Inner plate height<br>$h_2$<br>Max. | Plate thickness |           | Ultimate tensile strength<br>Q<br>Min. | Average tensile strength<br>$Q_0$ | Mass per meter | Designation |
|-------------------|---------------------|------------|----------------------------------|---------------------------------------------|-------------------------------|------------|---------------|-------------------------------------|-----------------|-----------|----------------------------------------|-----------------------------------|----------------|-------------|
|                   |                     | Pitch<br>P | Roller diameter<br>$d_1$<br>Max. |                                             |                               | L<br>Max.  | $L_c$<br>Max. |                                     | t<br>Max.       | T<br>Max. |                                        |                                   |                |             |
| -                 | -                   | mm         |                                  |                                             |                               |            |               |                                     |                 |           | kN                                     |                                   | kg/m           | -           |
| 2040              | 208A                | 25,40      | 7,95                             | 7,85                                        | 3,96                          | 16,6       | 17,8          | 12,0                                | 1,50            | 1,50      | 14,1                                   | 16,7                              | 0,42           | PHC 2040... |
| 2050              | 210A                | 31,75      | 10,16                            | 9,40                                        | 5,08                          | 20,7       | 22,2          | 15,0                                | 2,03            | 2,03      | 22,2                                   | 28,1                              | 0,73           | PHC 2050... |
| 2060              | 212A                | 38,10      | 11,91                            | 12,57                                       | 5,94                          | 25,9       | 27,7          | 18,0                                | 2,42            | 2,42      | 31,8                                   | 36,8                              | 1,02           | PHC 2060... |
| 2080              | 216A                | 50,80      | 15,88                            | 15,75                                       | 7,92                          | 32,7       | 36,5          | 24,0                                | 3,25            | 3,25      | 56,7                                   | 65,7                              | 1,70           | PHC 2080... |
| 2100              | 220A                | 63,50      | 19,05                            | 18,90                                       | 9,53                          | 40,4       | 44,7          | 30,0                                | 4,00            | 4,00      | 88,5                                   | 102,6                             | 2,55           | PHC 2100... |
| 2120              | 224A                | 76,20      | 22,23                            | 25,22                                       | 11,10                         | 50,3       | 54,3          | 35,7                                | 4,80            | 4,80      | 127,0                                  | 147,3                             | 4,06           | PHC 2120... |
| -                 | 208B                | 25,40      | 8,51                             | 7,75                                        | 4,45                          | 16,7       | 18,2          | 11,8                                | 1,60            | 1,60      | 18,0                                   | 19,4                              | 0,45           | PHC 208B... |
| -                 | 210B                | 31,75      | 10,16                            | 9,65                                        | 5,08                          | 19,5       | 20,9          | 14,7                                | 1,70            | 1,70      | 22,4                                   | 27,5                              | 0,65           | PHC 210B... |
| -                 | 212B                | 38,10      | 12,07                            | 11,68                                       | 5,72                          | 22,5       | 25,2          | 16,0                                | 1,85            | 1,85      | 29,0                                   | 32,2                              | 0,76           | PHC 212B... |
| -                 | 216B                | 50,80      | 15,88                            | 17,02                                       | 8,28                          | 36,1       | 39,1          | 21,0                                | 4,15            | 3,10      | 60,0                                   | 72,8                              | 1,75           | PHC 216B... |
| -                 | 220B                | 63,50      | 19,05                            | 19,56                                       | 10,19                         | 41,3       | 45,0          | 26,4                                | 4,50            | 3,50      | 95,0                                   | 106,7                             | 2,62           | PHC 220B... |
| -                 | 224B                | 76,20      | 25,40                            | 25,40                                       | 14,63                         | 53,4       | 57,8          | 33,2                                | 6,00            | 4,80      | 160,0                                  | 178,0                             | 4,70           | PHC 224B... |
| -                 | 228B                | 88,90      | 27,94                            | 30,99                                       | 15,90                         | 65,1       | 69,5          | 36,7                                | 7,50            | 6,00      | 200,0                                  | 222,0                             | 6,23           | PHC 228B... |
| -                 | 232B                | 101,60     | 29,21                            | 30,99                                       | 17,81                         | 66,0       | 71,0          | 42,0                                | 7,00            | 6,00      | 250,0                                  | 277,5                             | 6,72           | PHC 232B... |

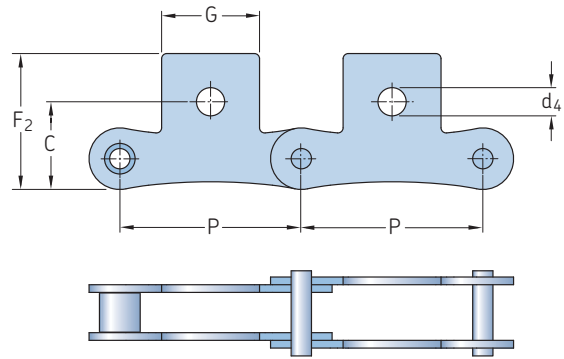
Standard lengths are 10 ft. and 5 m. To complete designation, add chain length. For example, a 5 m box of 2060 is PHC 2060X5MTR. One connecting link is contained per chain. For additional links, add "C/L" for "connecting" and "O/L" for "offset" to the designation.

## Double pitch chains

### Transmission attachments



K-1



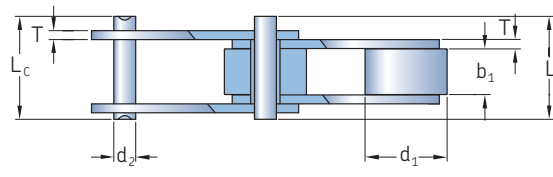
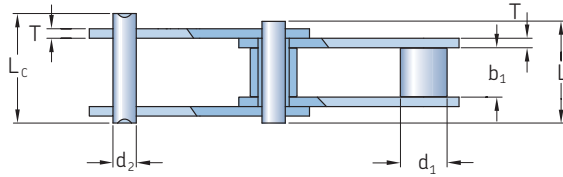
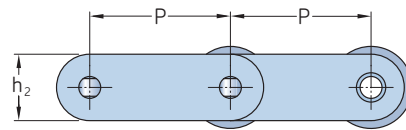
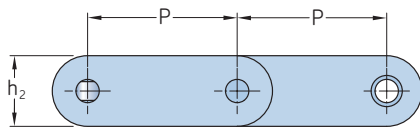
SK-1

| ANSI Chain number | BS/ISO Chain number | Dimensions Pitch |      |      |       |                |                |      |                |                |             | Designation |
|-------------------|---------------------|------------------|------|------|-------|----------------|----------------|------|----------------|----------------|-------------|-------------|
|                   |                     | P                | G    | F1   | W     | h <sub>4</sub> | d <sub>4</sub> | C    | F <sub>2</sub> | d <sub>5</sub> |             |             |
| -                 | -                   | mm               |      |      |       |                |                |      |                |                |             | -           |
| 2040              | 208A                | 25,40            | 19,1 | 25,4 | 39,6  | 9,1            | 3,4            | 11,1 | 20,5           | 5,5            | PHC 2040... |             |
| 2050              | 210A                | 31,75            | 23,8 | 31,8 | 49,0  | 11,1           | 5,5            | 14,3 | 25,0           | 6,6            | PHC 2050... |             |
| 2060              | 212A                | 38,10            | 28,6 | 42,9 | 67,8  | 14,7           | 5,5            | 17,5 | 32,9           | 9,2            | PHC 2060... |             |
| 2080              | 216A                | 50,80            | 38,1 | 55,6 | 87,8  | 19,1           | 6,8            | 22,2 | 43,5           | 11,0           | PHC 2080... |             |
| 2100              | 220A                | 63,50            | 47,6 | 66,6 | 107,5 | 23,4           | 9,2            | 28,6 | 50,4           | 13,0           | PHC 2100... |             |
| 2120              | 224A                | 76,20            | 57,2 | 79,3 | 121,4 | 27,8           | 10,5           | 33,3 | 55,5           | 15,0           | PHC 2120... |             |
| -                 | 208B                | 25,40            | 23,2 | 25,4 | 39,6  | 9,1            | 4,5            | 11,1 | 20,5           | 5,5            | PHC 208B... |             |
| -                 | 210B                | 31,75            | 23,8 | 31,8 | 49,0  | 11,1           | 5,5            | -    | -              | -              | PHC 210B... |             |
| -                 | 212B                | 38,10            | 35,0 | 38,1 | 57,0  | 14,7           | 6,6            | -    | -              | -              | PHC 212B... |             |
| -                 | 216B                | 50,80            | 44,0 | 50,8 | 84,0  | 19,1           | 6,6            | -    | -              | -              | PHC 216B... |             |
| -                 | 220B                | 63,50            | 52,0 | 63,5 | 104,0 | 23,4           | 8,4            | -    | -              | -              | PHC 220B... |             |
| -                 | 224B                | 76,20            | 60,0 | 76,2 | 120,0 | 27,8           | 10,5           | -    | -              | -              | PHC 224B... |             |

To complete designation, add attachment spacing and type followed by chain length. For example, PHC 2060-L1K1X10FT (2060 chain with K-1 attachment on every link, 10 ft. length). Note: Also available in stainless steel. When ordering, add SS after the chain number. For example, PHC 2060SS-L1K1X10FT.

# Conveyor chains

## C series



Small roller type

Large roller type

| ANSI Chain number | BS/ISO Chain number | Dimensions |                                        | Width between inner plates<br>b <sub>1</sub> Max. | Pin diameter<br>d <sub>2</sub> Max. | Pin length |                     | Inner plate height<br>h <sub>2</sub> Max. | Plate thickness<br>T Max. | Ultimate tensile strength<br>Q Min. | Average tensile strength<br>Q <sub>0</sub> | Mass per meter | Designation   |
|-------------------|---------------------|------------|----------------------------------------|---------------------------------------------------|-------------------------------------|------------|---------------------|-------------------------------------------|---------------------------|-------------------------------------|--------------------------------------------|----------------|---------------|
|                   |                     | Pitch<br>P | Roller diameter<br>d <sub>1</sub> Max. |                                                   |                                     | L Max.     | L <sub>c</sub> Max. |                                           |                           |                                     |                                            |                |               |
| -                 | -                   | mm         |                                        |                                                   |                                     |            |                     |                                           |                           | kN                                  |                                            | kg/m           | -             |
| C2040             | C208A               | 25,40      | 7,95                                   | 7,85                                              | 3,96                                | 16,6       | 17,8                | 12,0                                      | 1,50                      | 14,1                                | 16,7                                       | 0,50           | PHC C2040...  |
| C2042             | C208AL              | 25,40      | 15,88                                  | 7,85                                              | 3,96                                | 16,6       | 17,8                | 12,0                                      | 1,50                      | 14,1                                | 16,7                                       | 0,84           | PHC C2042...  |
| C2040H            | C208AH              | 25,40      | 7,95                                   | 7,85                                              | 3,96                                | 18,8       | 19,9                | 12,0                                      | 2,03                      | 14,1                                | 17,2                                       | 0,65           | PHC C2040H... |
| C2050             | C210A               | 31,75      | 10,16                                  | 9,40                                              | 5,08                                | 20,7       | 22,2                | 15,0                                      | 2,03                      | 22,2                                | 28,1                                       | 0,78           | PHC C2050...  |
| C2052             | C210AL              | 31,75      | 19,05                                  | 9,40                                              | 5,08                                | 20,7       | 22,2                | 15,0                                      | 2,03                      | 22,2                                | 28,1                                       | 1,27           | PHC C2052...  |
| C2060             | C212A               | 38,10      | 11,91                                  | 12,57                                             | 5,94                                | 25,9       | 27,7                | 18,0                                      | 2,42                      | 31,8                                | 36,8                                       | 1,12           | PHC C2060...  |
| C2062             | C212AL              | 38,10      | 22,23                                  | 12,57                                             | 5,94                                | 25,9       | 27,7                | 18,0                                      | 2,42                      | 31,8                                | 36,8                                       | 1,61           | PHC C2062...  |
| C2060H            | C212AH              | 38,10      | 11,91                                  | 12,57                                             | 5,94                                | 29,2       | 31,6                | 18,0                                      | 3,25                      | 31,8                                | 41,6                                       | 1,44           | PHC C2060H... |
| C2062H            | C212AHL             | 38,10      | 22,23                                  | 12,57                                             | 5,94                                | 29,2       | 31,6                | 18,0                                      | 3,25                      | 31,8                                | 41,6                                       | 2,07           | PHC C2062H... |
| C2080             | C216A               | 50,80      | 15,88                                  | 15,75                                             | 7,92                                | 32,7       | 36,5                | 24,0                                      | 3,25                      | 56,7                                | 65,7                                       | 2,08           | PHC C2080...  |
| C2082             | C216AL              | 50,80      | 28,58                                  | 15,75                                             | 7,92                                | 32,7       | 36,5                | 24,0                                      | 3,25                      | 56,7                                | 65,7                                       | 3,12           | PHC C2082...  |
| C2080H            | C216AH              | 50,80      | 15,88                                  | 15,75                                             | 7,92                                | 36,2       | 39,4                | 24,0                                      | 4,00                      | 56,7                                | 70,0                                       | 2,54           | PHC C2080H... |
| C2082H            | C216AHL             | 50,80      | 28,58                                  | 15,75                                             | 7,92                                | 36,2       | 39,4                | 24,0                                      | 4,00                      | 56,7                                | 70,0                                       | 3,58           | PHC C2082H... |
| C2100             | C220A               | 63,50      | 19,05                                  | 18,90                                             | 9,53                                | 40,4       | 44,7                | 30,0                                      | 4,00                      | 88,5                                | 102,6                                      | 3,01           | PHC C2100...  |
| C2102             | C220AL              | 63,50      | 39,67                                  | 18,90                                             | 9,53                                | 40,4       | 44,7                | 30,0                                      | 4,00                      | 88,5                                | 102,6                                      | 4,83           | PHC C2102...  |
| C2100H            | C220AH              | 63,50      | 19,05                                  | 18,90                                             | 9,53                                | 43,6       | 46,9                | 30,0                                      | 4,80                      | 88,5                                | 112,4                                      | 3,56           | PHC C2100H... |
| C2102H            | C220AHL             | 63,50      | 39,67                                  | 18,90                                             | 9,53                                | 43,6       | 46,9                | 30,0                                      | 4,80                      | 88,5                                | 112,4                                      | 5,38           | PHC C2102H... |
| C2120             | C224A               | 76,20      | 22,23                                  | 25,22                                             | 11,10                               | 50,3       | 54,3                | 35,7                                      | 4,80                      | 127,0                               | 147,3                                      | 4,66           | PHC C2120...  |
| C2122             | C224AL              | 76,20      | 44,45                                  | 25,22                                             | 11,10                               | 50,3       | 54,3                | 35,7                                      | 4,80                      | 127,0                               | 147,3                                      | 7,66           | PHC C2122...  |
| C2120H            | C224AH              | 76,20      | 22,23                                  | 25,22                                             | 11,10                               | 53,5       | 57,5                | 35,7                                      | 5,60                      | 127,0                               | 160,9                                      | 5,26           | PHC C2120H... |
| C2122H            | C224AHL             | 76,20      | 44,45                                  | 25,22                                             | 11,10                               | 53,5       | 57,5                | 35,7                                      | 5,60                      | 127,0                               | 160,9                                      | 8,26           | PHC C2122H... |
| C2160             | C232A               | 101,60     | 28,58                                  | 31,75                                             | 14,27                               | 64,8       | 69,6                | 47,8                                      | 6,40                      | 226,8                               | 278,9                                      | 8,15           | PHC C2160...  |
| C2162             | C232AL              | 101,60     | 57,15                                  | 31,75                                             | 14,27                               | 64,8       | 69,6                | 47,8                                      | 6,40                      | 226,8                               | 278,9                                      | 13,00          | PHC C2162...  |
| C2160H            | C232AH              | 101,60     | 28,58                                  | 31,75                                             | 14,27                               | 68,2       | 73,0                | 47,8                                      | 7,20                      | 226,8                               | 285,8                                      | 9,06           | PHC C2160H... |
| C2162H            | C232AHL             | 101,60     | 57,15                                  | 31,75                                             | 14,27                               | 68,2       | 73,0                | 47,8                                      | 7,20                      | 226,8                               | 285,8                                      | 12,77          | PHC C2162H... |

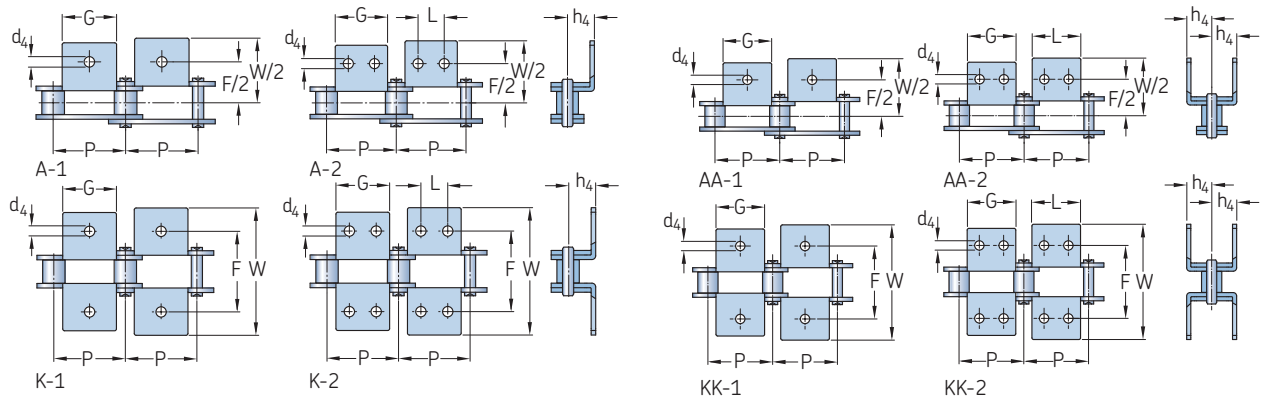
Standard lengths are 10 ft. and 5 m. To complete designation, add chain length. For example, a 5 m box of 2060-1 is PHC C2060X5MTR.

For ordering a special roller type add letter after pitch size (s for small rollers and p for large rollers). For example, to order C2040 with 25,40 mm pitch with small rollers in 10 ft. length, use designation PHC C2040-25.4SX10FT.

One connecting link is contained per chain. For additional links, add "C/L" for "connecting" and "O/L" for "offset" to the designation.

# Conveyor chain C series attachments

A-1 | A-2 | K-1 | K-2 | AA-1 | AA-2 | KK-1 | KK-2



| ANSI Chain number    | BS/ISO Chain number | Dimensions |      |      |       |       |       |       | Designation   |
|----------------------|---------------------|------------|------|------|-------|-------|-------|-------|---------------|
|                      |                     | P          | G    | L    | F     | W     | $h_4$ | $d_4$ |               |
|                      |                     | mm         |      |      |       |       |       |       |               |
| C2040 <sup>1)</sup>  | C208A               | 25,4       | 19,1 | 9,5  | 25,4  | 39,6  | 9,1   | 3,4   | PHC C2040...  |
| C2042 <sup>1)</sup>  | C208AL              | 25,4       | 19,1 | 9,5  | 25,4  | 39,6  | 9,1   | 3,4   | PHC C2042...  |
| C2050 <sup>1)</sup>  | C210A               | 31,8       | 23,8 | 11,9 | 31,8  | 49,0  | 11,1  | 5,5   | PHC C2050...  |
| C2052 <sup>1)</sup>  | C210AL              | 31,8       | 23,8 | 11,9 | 31,8  | 49,0  | 11,1  | 5,5   | PHC C2052...  |
| C2060 <sup>1)</sup>  | C212A               | 38,1       | 28,6 | 14,3 | 42,9  | 67,8  | 14,7  | 5,5   | PHC C2060...  |
| C2062 <sup>1)</sup>  | C212AL              | 38,1       | 28,6 | 14,3 | 42,9  | 67,8  | 14,7  | 5,5   | PHC C2062...  |
| C2060H <sup>1)</sup> | C212AH              | 38,1       | 28,6 | 14,3 | 42,9  | 67,8  | 14,7  | 5,5   | PHC C2060H... |
| C2062H <sup>1)</sup> | C212AHL             | 38,1       | 28,6 | 14,3 | 42,9  | 67,8  | 14,7  | 5,5   | PHC C2062H... |
| C2080 <sup>1)</sup>  | C216A               | 50,8       | 38,1 | 19,1 | 55,6  | 87,8  | 19,1  | 6,8   | PHC C2080...  |
| C2082 <sup>1)</sup>  | C216AL              | 50,8       | 38,1 | 19,1 | 55,6  | 87,8  | 19,1  | 6,8   | PHC C2082...  |
| C2080H <sup>1)</sup> | C216AH              | 50,8       | 38,1 | 19,1 | 55,6  | 87,8  | 19,1  | 6,8   | PHC C2080H... |
| C2082H <sup>1)</sup> | C216AHL             | 50,8       | 38,1 | 19,1 | 55,6  | 87,8  | 19,1  | 6,8   | PHC C2082H... |
| C2100                | C220A               | 63,5       | 47,6 | 23,8 | 66,6  | 107,5 | 23,4  | 9,2   | PHC C2100...  |
| C2102                | C220AL              | 63,5       | 47,6 | 23,8 | 66,6  | 107,5 | 23,4  | 9,2   | PHC C2102...  |
| C2100H               | C220AH              | 63,5       | 47,6 | 23,8 | 66,6  | 107,5 | 23,4  | 9,2   | PHC C2100H... |
| C2102H               | C220AHL             | 63,5       | 47,6 | 23,8 | 66,6  | 107,5 | 23,4  | 9,2   | PHC C2102H... |
| C2120                | C224A               | 76,2       | 57,2 | 28,6 | 79,3  | 121,4 | 27,8  | 11,0  | PHC C2120...  |
| C2122                | C224AL              | 76,2       | 57,2 | 28,6 | 79,3  | 121,4 | 27,8  | 11,0  | PHC C2122...  |
| C2120H               | C224AH              | 76,2       | 57,2 | 28,6 | 79,3  | 121,4 | 27,8  | 11,0  | PHC C2120H... |
| C2122H               | C224AHL             | 76,2       | 57,2 | 28,6 | 79,3  | 121,4 | 27,8  | 11,0  | PHC C2122H... |
| C2160                | C232A               | 101,6      | 76,2 | 38,1 | 104,7 | 151,6 | 36,5  | 13,1  | PHC C2160...  |
| C2162                | C232AL              | 101,6      | 76,2 | 38,1 | 104,7 | 151,6 | 36,5  | 13,1  | PHC C2162...  |
| C2160H               | C232AH              | 101,6      | 76,2 | 38,1 | 104,7 | 151,6 | 36,5  | 13,1  | PHC C2160H... |
| C2162H               | C232AHL             | 101,6      | 76,2 | 38,1 | 104,7 | 151,6 | 36,5  | 13,1  | PHC C2162H... |

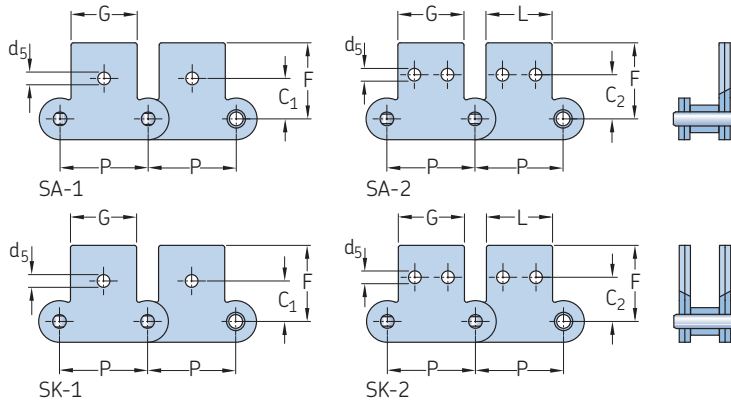
<sup>1)</sup> For these chains AA-1, AA-2, KK-1 and KK-2 attachments are available.

To complete designation, add attachment spacing and type followed by chain length. For example, PHC C2060-L2A1X10FT (C2060 with A-1 attachment on every second link, 10 ft. length).

Note: Also available in stainless steel. When ordering, add SS after the chain number. For example, PHC C2060SS-L2A1X10FT.

# Conveyor chain C series attachments

SA-1 | SA-2 | SK-1 | SK-2

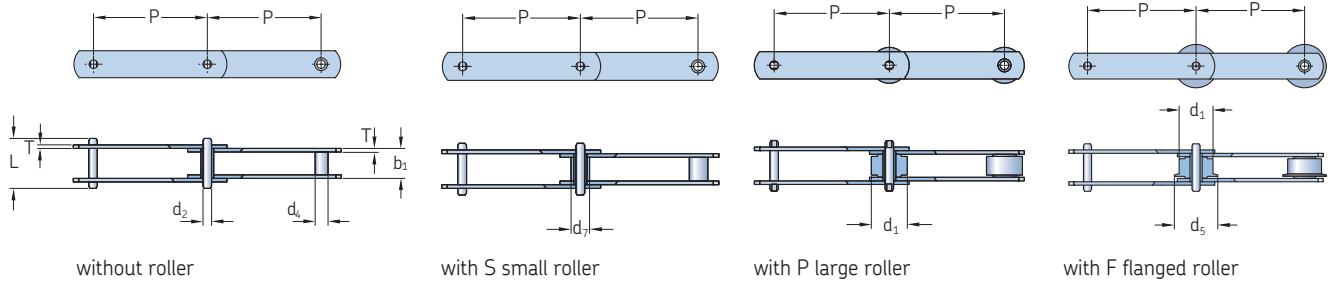


| ANSI Chain number | BS/ISO Chain number | Dimensions |      |      |                |                |      |                |                | Designation   |
|-------------------|---------------------|------------|------|------|----------------|----------------|------|----------------|----------------|---------------|
|                   |                     | P          | G    | L    | C <sub>1</sub> | C <sub>2</sub> | F    | d <sub>4</sub> | d <sub>5</sub> |               |
| -                 |                     | mm         |      |      |                |                |      |                |                | -             |
| C2040             | C208A               | 25,4       | 19,1 | 9,5  | 11,1           | 13,5           | 20,5 | 3,4            | 5,5            | PHC C2040...  |
| C2042             | C208AL              | 25,4       | 19,1 | 9,5  | 11,1           | 13,5           | 20,5 | 3,4            | 5,5            | PHC C2042...  |
| C2050             | C210A               | 31,8       | 23,8 | 11,9 | 14,3           | 15,9           | 25,0 | 5,5            | 6,6            | PHC C2050...  |
| C2052             | C210AL              | 31,8       | 23,8 | 11,9 | 14,3           | 15,9           | 25,0 | 5,5            | 6,6            | PHC C2052...  |
| C2060             | C212A               | 38,1       | 28,6 | 14,3 | 17,5           | 19,1           | 32,9 | 5,5            | 9,2            | PHC C2060...  |
| C2062             | C212AL              | 38,1       | 28,6 | 14,3 | 17,5           | 19,1           | 32,9 | 5,5            | 9,2            | PHC C2062...  |
| C2060H            | C212AHL             | 38,1       | 28,6 | 14,3 | 17,5           | 19,1           | 32,9 | 5,5            | 9,2            | PHC C2060H... |
| C2062H            | C212AHL             | 38,1       | 28,6 | 14,3 | 17,5           | 19,1           | 32,9 | 5,5            | 9,2            | PHC C2062H... |
| C2080             | C216A               | 50,8       | 38,1 | 19,1 | 22,2           | 25,4           | 43,5 | 6,6            | 11,0           | PHC C2080...  |
| C2082             | C216AL              | 50,8       | 38,1 | 19,1 | 22,2           | 25,4           | 43,5 | 6,6            | 11,0           | PHC C2082...  |
| C2080H            | C216AHL             | 50,8       | 38,1 | 19,1 | 22,2           | 25,4           | 43,5 | 6,6            | 11,0           | PHC C2080H... |
| C2082H            | C216AHL             | 50,8       | 38,1 | 19,1 | 22,2           | 25,4           | 43,5 | 6,6            | 11,0           | PHC C2082H... |
| C2100             | C220A               | 63,5       | 47,6 | 23,8 | 28,6           | 31,8           | 50,4 | 8,4            | 13,0           | PHC C2100...  |
| C2102             | C220AL              | 63,5       | 47,6 | 23,8 | 28,6           | 31,8           | 50,4 | 8,4            | 13,0           | PHC C2102...  |
| C2100H            | C220AHL             | 63,5       | 47,6 | 23,8 | 28,6           | 31,8           | 50,4 | 8,4            | 13,0           | PHC C2100H... |
| C2102H            | C220AHL             | 63,5       | 47,6 | 23,8 | 28,6           | 31,8           | 50,4 | 8,4            | 13,0           | PHC C2102H... |

To complete designation, add attachment spacing and type followed by chain length. For example, PHC C2060-1-L5SK2X10FT (C2060-1 with SK-2 attachment on every fifth link, 10 ft. length). Note: Also available in stainless steel. When ordering, add SS after the chain number. For example, PHC C2060-1SS-L5SK2X10FT.

# Conveyor chains

## M series



| BS/ISO Chain number | Pitch sizes available |                  |                  |                  |                   |                   |                   |     |     |     |     |     |     |     |
|---------------------|-----------------------|------------------|------------------|------------------|-------------------|-------------------|-------------------|-----|-----|-----|-----|-----|-----|-----|
|                     | P                     |                  |                  |                  |                   |                   |                   |     |     |     |     |     |     |     |
|                     | mm                    |                  |                  |                  |                   |                   |                   |     |     |     |     |     |     |     |
| M20                 | 40 <sup>1)</sup>      | 50               | 63               | 80               | 100               | 125               | 160               | -   | -   | -   | -   | -   | -   | -   |
| M28                 | -                     | 50 <sup>1)</sup> | 63               | 80               | 100               | 125               | 160               | 200 | -   | -   | -   | -   | -   | -   |
| M40                 | -                     | -                | 63               | 80               | 100               | 125               | 160               | 200 | 250 | -   | -   | -   | -   | -   |
| M56                 | -                     | -                | 63 <sup>1)</sup> | 80               | 100               | 125               | 160               | 200 | 250 | -   | -   | -   | -   | -   |
| M80                 | -                     | -                | -                | 80               | 100               | 125               | 160               | 200 | 250 | 315 | -   | -   | -   | -   |
| M112                | -                     | -                | -                | 80 <sup>1)</sup> | 100               | 125               | 160               | 200 | 250 | 315 | 400 | -   | -   | -   |
| M160                | -                     | -                | -                | -                | 100 <sup>1)</sup> | 125               | 160               | 200 | 250 | 315 | 400 | 500 | -   | -   |
| M224                | -                     | -                | -                | -                | -                 | 125 <sup>1)</sup> | 160               | 200 | 250 | 315 | 400 | 500 | 630 | -   |
| M315                | -                     | -                | -                | -                | -                 | -                 | 160 <sup>1)</sup> | 200 | 250 | 315 | 400 | 500 | 630 | -   |
| M450                | -                     | -                | -                | -                | -                 | -                 | -                 | 200 | 250 | 315 | 400 | 500 | 630 | 800 |

<sup>1)</sup> Only available with small roller or without roller.

| BS/ISO Chain number | Dimensions      |                     |                     | Bush diameter d <sub>4</sub> Max. | Width between inner plates b <sub>1</sub> Max. | Pin diameter d <sub>2</sub> Max. | Pin length L Max. | Plate height h <sub>2</sub> Max. | Plate thickness T Max. | Ultimate tensile strength Q Min. | Average tensile strength Q <sub>0</sub> | Designation  |
|---------------------|-----------------|---------------------|---------------------|-----------------------------------|------------------------------------------------|----------------------------------|-------------------|----------------------------------|------------------------|----------------------------------|-----------------------------------------|--------------|
|                     | Roller diameter | d <sub>1</sub> Max. | d <sub>7</sub> Max. |                                   |                                                |                                  |                   |                                  |                        |                                  |                                         |              |
|                     | mm              |                     |                     |                                   |                                                |                                  |                   |                                  |                        |                                  |                                         |              |
| M20A                | 25              | 12,5                | 32                  | 9,0                               | 16                                             | 6,0                              | 35                | 19                               | 2,5                    | 20                               | 25,0                                    | PHC M20A...  |
| M28A                | 30              | 15,0                | 36                  | 10,0                              | 18                                             | 7,0                              | 40                | 21                               | 3,0                    | 28                               | 35,0                                    | PHC M28A...  |
| M40A                | 36              | 18,0                | 42                  | 12,5                              | 20                                             | 8,5                              | 45                | 26                               | 3,5                    | 40                               | 50,0                                    | PHC M40A...  |
| M56A                | 42              | 21,0                | 50                  | 15,0                              | 24                                             | 10,0                             | 52                | 31                               | 4,0                    | 56                               | 70,0                                    | PHC M56A...  |
| M80A                | 50              | 25,0                | 60                  | 18,0                              | 28                                             | 12,0                             | 62                | 36                               | 5,0                    | 80                               | 100,0                                   | PHC M80A...  |
| M112A               | 60              | 30,0                | 70                  | 21,0                              | 32                                             | 15,0                             | 73                | 41                               | 6,0                    | 112                              | 140,0                                   | PHC M112A... |
| M160A               | 70              | 36,0                | 85                  | 25,0                              | 37                                             | 18,0                             | 85                | 51                               | 7,0                    | 160                              | 200,0                                   | PHC M160A... |
| M224A               | 85              | 42,0                | 100                 | 30,0                              | 43                                             | 21,0                             | 98                | 62                               | 8,0                    | 224                              | 280,0                                   | PHC M224A... |
| M315A               | 100             | 50,0                | 120                 | 36,0                              | 48                                             | 25,0                             | 112               | 72                               | 10,0                   | 315                              | 393,7                                   | PHC M315A... |
| M450A               | 120             | 60,0                | 140                 | 42,0                              | 56                                             | 30,0                             | 135               | 82                               | 12,0                   | 450                              | 562,5                                   | PHC M450A... |

Standard lengths are 10 ft. and 5 m. To complete designation, add pitch size and chain length. For example, to order M20A with 40 mm pitch without roller in 10 ft. length, use designation PHC M20A-40X10FT.

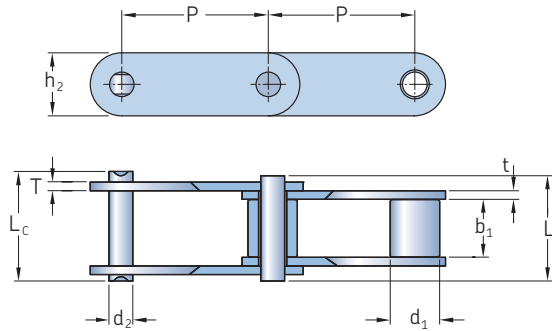
For ordering a special roller type, add letter after pitch size (s for small roller, p for large roller and f for flanged roller). For example, to order M20A with 40 mm pitch with small roller in 10 ft length, use designation PHC M20A-40SX10FT.

One connecting link is contained per chain. For additional links, add "C/L" for "connecting" and "O/L" for "offset" to the designation.

For the complete range of SKF Conveyor Chains available, please refer to the SKF Conveyor Chain Catalogue (PUB PT/P2 10818 EN).

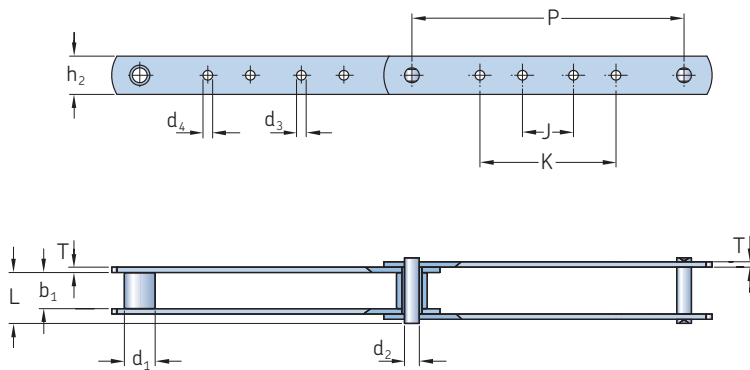
# Conveyor chains

Lumber mill series | 3939 series



| Chain number    | Dimensions |                            |                                       |                         |                     |            | Inner plate height $h_2$ Max. | Plate thickness $t$ Max. | T Max. | Ultimate tensile strength $Q$ Min. | Average tensile strength $Q_0$ | Mass per meter | Designation     |
|-----------------|------------|----------------------------|---------------------------------------|-------------------------|---------------------|------------|-------------------------------|--------------------------|--------|------------------------------------|--------------------------------|----------------|-----------------|
|                 | Pitch $P$  | Roller diameter $d_1$ Max. | Width between inner plates $b_1$ Min. | Pin diameter $d_2$ Max. | Pin length $L$ Max. | $L_c$ Max. |                               |                          |        |                                    |                                |                |                 |
| -               | mm         |                            |                                       |                         |                     |            |                               |                          |        | kN                                 |                                | kg/m           | -               |
| <b>81X</b>      | 66,27      | 23,0                       | 27,00                                 | 11,10                   | 49,0                | 53,5       | 28,50                         | 4,00                     | 4,00   | 106,7                              | 128,9                          | 3,78           | PHC 81X...      |
| <b>81XH</b>     | 66,27      | 23,0                       | 27,78                                 | 11,10                   | 60,7                | 65,1       | 31,35                         | 7,94                     | 5,55   | 151,9                              | 175,7                          | 5,88           | PHC 81XH...     |
| <b>81XHH</b>    | 66,27      | 23,0                       | 27,78                                 | 11,10                   | 65,6                | 70,0       | 31,35                         | 7,94                     | 7,94   | 191,1                              | 212,6                          | 6,70           | PHC 81XHH...    |
| <b>81XHS</b>    | 66,27      | 23,0                       | 27,00                                 | 11,10                   | 63,6                | 68,0       | 31,80                         | 7,60                     | 7,60   | 152,0                              | 177,2                          | 6,55           | PHC 81XHS...    |
| <b>500R</b>     | 50,00      | 25,4                       | 25,40                                 | 14,63                   | 52,0                | 56,4       | 40,00                         | 5,00                     | 5,00   | 100,0                              | 114,5                          | 7,13           | PHC 500R...     |
| <b>441.100R</b> | 100,00     | 25,4                       | 25,40                                 | 14,63                   | 52,0                | 56,4       | 40,00                         | 5,00                     | 5,00   | 100,0                              | 114,5                          | 5,15           | PHC 441.100R... |

Standard lengths are 10 ft. and 5 m. To complete designation, add chain length. For example, a 5 m box of 81X is PHC 81X5MTR. One connecting link is contained per chain. For additional links, add "C/L" for "connecting" and "O/L" for "offset" to the designation.



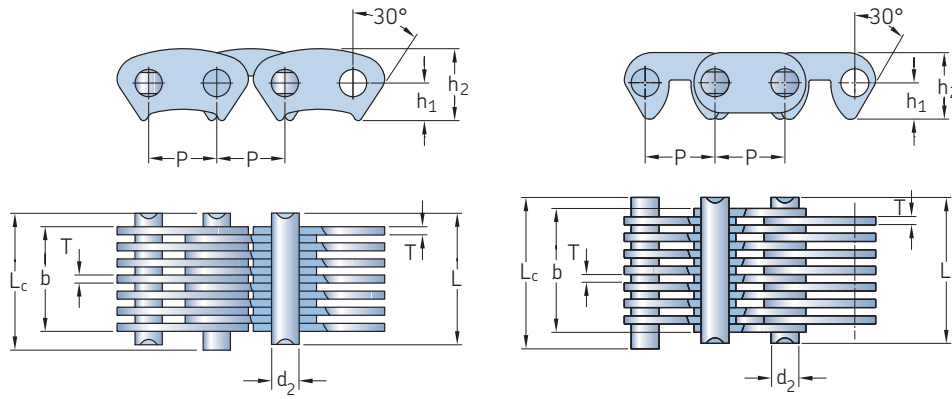
| Chain number    | Dimensions |                            |                                       |                         |                     |            | Inner plate height $h_2$ Max. | $d_3$ Max. | $d_4$ Max. | J Max. | K Max. | Plate thickness $T$ Max. | Ultimate tensile strength $Q$ Min. | Average tensile strength $Q_0$ | Mass per meter  | Designation |
|-----------------|------------|----------------------------|---------------------------------------|-------------------------|---------------------|------------|-------------------------------|------------|------------|--------|--------|--------------------------|------------------------------------|--------------------------------|-----------------|-------------|
|                 | Pitch $P$  | Roller diameter $d_1$ Max. | Width between inner plates $b_1$ Min. | Pin diameter $d_2$ Max. | Pin length $L$ Max. | $d_3$ Max. |                               |            |            |        |        |                          |                                    |                                |                 |             |
| -               | mm         |                            |                                       |                         |                     |            |                               |            |            |        |        |                          | kN                                 |                                | kg/m            | -           |
| <b>3939-B4</b>  | 203,2      | 23                         | 27                                    | 11,1                    | 49                  | 28,58      | 7,2                           | 7,2        | 38,1       | 101,6  | 4      | 115,58                   | 136,5                              | 2,45                           | PHC 3939-B4...  |             |
| <b>3939-B21</b> | 203,2      | 23                         | 27                                    | 11,1                    | 49                  | 28,58      | 7,2                           | -          | 38,1       | -      | 4      | 115,58                   | 136,5                              | 2,45                           | PHC 3939-B21... |             |
| <b>3939-B23</b> | 203,2      | 23                         | 27                                    | 11,1                    | 49                  | 28,58      | -                             | 10,3       | -          | 92,1   | 4      | 115,58                   | 136,5                              | 2,45                           | PHC 3939-B23... |             |
| <b>3939-B24</b> | 203,2      | 23                         | 27                                    | 11,1                    | 49                  | 28,58      | -                             | 7,2        | -          | 101,6  | 4      | 115,58                   | 136,5                              | 2,48                           | PHC 3939-B24... |             |
| <b>3939-B40</b> | 203,2      | 23                         | 27                                    | 11,1                    | 49                  | 28,58      | -                             | 10,3       | -          | 101,6  | 4      | 115,58                   | 136,5                              | 2,45                           | PHC 3939-B40... |             |
| <b>3939-B43</b> | 203,2      | 23                         | 27                                    | 11,1                    | 49                  | 28,58      | 7,2                           | 10,3       | 38,1       | 92,1   | 4      | 115,58                   | 136,5                              | 2,42                           | PHC 3939-B43... |             |
| <b>3939-B44</b> | 203,2      | 23                         | 27                                    | 11,1                    | 49                  | 28,58      | 7,2                           | 10,3       | 38,1       | 101,6  | 4      | 115,58                   | 136,5                              | 2,45                           | PHC 3939-B44... |             |

Standard lengths are 10 ft. and 5 m. To complete designation, add chain length. For example, a 5 m box of 3939-B4 is PHC 3939-B4X5MTR. One connecting link is contained per chain. For additional links, add "C/L" for "connecting" and "O/L" for "offset" to the designation.



# Silent chains

Flank contact | Crotch contact

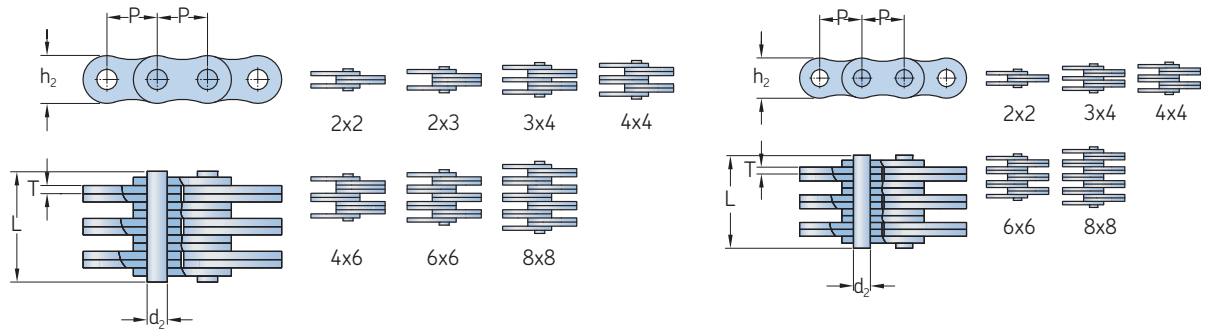


| Contact type | Chain number | Dimensions |                          | Pin diameter<br>$d_2$<br>Max. | Pin length |               | Distance from hole center to tooth<br>$h_1$<br>Max. | Plate height<br>$h_2$<br>Max. | Plate thickness<br>T<br>Max. | Guide form | Number of plates | Ultimate tensile strength<br>Q<br>Min. | Average tensile strength<br>$Q_0$ | Mass per meter    | Designation      |
|--------------|--------------|------------|--------------------------|-------------------------------|------------|---------------|-----------------------------------------------------|-------------------------------|------------------------------|------------|------------------|----------------------------------------|-----------------------------------|-------------------|------------------|
|              |              | Pitch<br>P | Chain width<br>b<br>Min. |                               | L<br>Max.  | $L_c$<br>Max. |                                                     |                               |                              |            |                  |                                        |                                   |                   |                  |
|              |              | mm         |                          |                               |            |               |                                                     |                               |                              |            |                  | kN                                     |                                   | kg/m              |                  |
| Flank        | CL06-13.5    | 9,53       | 13,5                     | 3,95                          | 18,5       | 20,0          | 5,30                                                | 10,0                          | 1,5                          | Outside    | 9                | 10,0                                   | 11,2                              | 0,60              | PHC CL06-13.5... |
|              | CL06-16.5    | 9,53       | 16,5                     | 3,95                          | 21,5       | 23,0          | 5,30                                                | 10,0                          | 1,5                          | Outside    | 11               | 12,5                                   | 14,0                              | 0,73              | PHC CL06-16.5... |
|              | CL06-19.5    | 9,53       | 19,5                     | 3,95                          | 24,5       | 26,0          | 5,30                                                | 10,0                          | 1,5                          | Outside    | 13               | 15,0                                   | 16,8                              | 0,85              | PHC CL06-19.5... |
|              | CL06-22.5    | 9,53       | 22,5                     | 3,95                          | 27,5       | 29,0          | 5,30                                                | 10,0                          | 1,5                          | Outside    | 15               | 17,5                                   | 19,6                              | 1,00              | PHC CL06-22.5... |
|              | CL06-28.5    | 9,53       | 28,5                     | 3,95                          | 33,5       | 35,0          | 5,30                                                | 10,0                          | 1,5                          | Inside     | 19               | 22,5                                   | 25,2                              | 1,26              | PHC CL06-28.5... |
|              | CL08-19.5    | 12,70      | 19,5                     | 5,08                          | 24,5       | 26,0          | 7,00                                                | 13,4                          | 1,5                          | Outside    | 13               | 23,4                                   | 26,2                              | 1,15              | PHC CL08-19.5... |
|              | CL08-22.5    | 12,70      | 22,5                     | 5,08                          | 27,5       | 29,0          | 7,00                                                | 13,4                          | 1,5                          | Outside    | 15               | 27,4                                   | 30,6                              | 1,33              | PHC CL08-22.5... |
|              | CL08-25.5    | 12,70      | 25,5                     | 5,08                          | 30,5       | 32,0          | 7,00                                                | 13,4                          | 1,5                          | Outside    | 17               | 31,3                                   | 35,0                              | 1,50              | PHC CL08-25.5... |
|              | CL08-28.5    | 12,70      | 28,5                     | 5,08                          | 33,5       | 35,0          | 7,00                                                | 13,4                          | 1,5                          | Inside     | 19               | 35,2                                   | 39,4                              | 1,68              | PHC CL08-28.5... |
|              | CL08-34.5    | 12,70      | 34,5                     | 5,08                          | 39,5       | 41,0          | 7,00                                                | 13,4                          | 1,5                          | Inside     | 23               | 43,0                                   | 48,1                              | 2,04              | PHC CL08-34.5... |
|              | CL08-40.5    | 12,70      | 40,5                     | 5,08                          | 45,5       | 47,0          | 7,00                                                | 13,4                          | 1,5                          | Inside     | 27               | 50,8                                   | 56,8                              | 2,39              | PHC CL08-40.5... |
|              | CL08-46.5    | 12,70      | 46,5                     | 5,08                          | 51,5       | 53,0          | 7,00                                                | 13,4                          | 1,5                          | Inside     | 31               | 58,6                                   | 65,6                              | 2,74              | PHC CL08-46.5... |
|              | CL08-52.5    | 12,70      | 52,5                     | 5,08                          | 57,5       | 59,0          | 7,00                                                | 13,4                          | 1,5                          | Inside     | 35               | 66,4                                   | 74,3                              | 3,10              | PHC CL08-52.5... |
|              | CL10-30.0    | 15,88      | 30,0                     | 5,92                          | 37,0       | 38,2          | 8,70                                                | 16,7                          | 2,0                          | Inside     | 15               | 45,6                                   | 50,6                              | 2,21              | PHC CL10-30.0... |
|              | CL10-38.0    | 15,88      | 38,0                     | 5,92                          | 45,0       | 46,2          | 8,70                                                | 16,7                          | 2,0                          | Inside     | 19               | 58,6                                   | 65,0                              | 2,80              | PHC CL10-38.0... |
|              | CL10-46.0    | 15,88      | 46,0                     | 5,92                          | 53,0       | 54,2          | 8,70                                                | 16,7                          | 2,0                          | Inside     | 23               | 71,7                                   | 79,5                              | 3,39              | PHC CL10-46.0... |
|              | CL10-54.0    | 15,88      | 54,0                     | 5,92                          | 61,0       | 62,4          | 8,70                                                | 16,7                          | 2,0                          | Inside     | 27               | 84,7                                   | 94,0                              | 3,99              | PHC CL10-54.0... |
|              | CL10-62.0    | 15,88      | 62,0                     | 5,92                          | 69,0       | 70,4          | 8,70                                                | 16,7                          | 2,0                          | Inside     | 31               | 97,7                                   | 108,4                             | 4,58              | PHC CL10-62.0... |
|              | CL12-38.0    | 19,05      | 38,0                     | 6,90                          | 45,0       | 46,5          | 10,50                                               | 20,0                          | 2,0                          | Inside     | 19               | 70,0                                   | 77,6                              | 3,37              | PHC CL12-38.0... |
|              | CL12-46.0    | 19,05      | 46,0                     | 6,90                          | 53,0       | 54,5          | 10,50                                               | 20,0                          | 2,0                          | Inside     | 23               | 86,0                                   | 95,4                              | 4,08              | PHC CL12-46.0... |
|              | CL12-54.0    | 19,05      | 54,0                     | 6,90                          | 61,0       | 62,8          | 10,50                                               | 20,0                          | 2,0                          | Inside     | 27               | 102,0                                  | 113,2                             | 4,78              | PHC CL12-54.0... |
|              | CL12-62.0    | 19,05      | 62,0                     | 6,90                          | 69,0       | 70,8          | 10,50                                               | 20,0                          | 2,0                          | Inside     | 31               | 117,0                                  | 129,8                             | 5,50              | PHC CL12-62.0... |
|              | CL12-70.0    | 19,05      | 70,0                     | 6,90                          | 77,0       | 78,8          | 10,50                                               | 20,0                          | 2,0                          | Inside     | 35               | 133,0                                  | 147,6                             | 6,20              | PHC CL12-70.0... |
|              | CL16-45.0    | 25,40      | 45,0                     | 8,90                          | 52,0       | 53,5          | 14,00                                               | 26,7                          | 3,0                          | Inside     | 15               | 111,0                                  | 123,2                             | 5,31              | PHC CL16-45.0... |
|              | CL16-51.0    | 25,40      | 51,0                     | 8,90                          | 58,0       | 59,5          | 14,00                                               | 26,7                          | 3,0                          | Inside     | 17               | 125,0                                  | 138,7                             | 6,02              | PHC CL16-51.0... |
|              | CL16-57.0    | 25,40      | 57,0                     | 8,90                          | 64,0       | 65,5          | 14,00                                               | 26,7                          | 3,0                          | Inside     | 19               | 141,0                                  | 156,5                             | 6,37              | PHC CL16-57.0... |
|              | CL16-69.0    | 25,40      | 69,0                     | 8,90                          | 76,2       | 77,7          | 14,00                                               | 26,7                          | 3,0                          | Inside     | 23               | 172,0                                  | 190,9                             | 8,15              | PHC CL16-69.0... |
|              | CL16-81.0    | 25,40      | 81,0                     | 8,90                          | 88,2       | 89,7          | 14,00                                               | 26,7                          | 3,0                          | Inside     | 27               | 203,0                                  | 225,3                             | 9,57              | PHC CL16-81.0... |
|              | CL16-93.0    | 25,40      | 93,0                     | 8,90                          | 100,2      | 101,7         | 14,00                                               | 26,7                          | 3,0                          | Inside     | 31               | 235,0                                  | 260,8                             | 10,98             | PHC CL16-93.0... |
|              | CL20-57.0    | 31,75      | 57,0                     | 10,84                         | 66,6       | 69,6          | 17,50                                               | 33,4                          | 3,0                          | Inside     | 19               | 165,0                                  | 183,1                             | 8,42              | PHC CL20-57.0... |
|              | CL20-69.0    | 31,75      | 69,0                     | 10,84                         | 78,6       | 81,6          | 17,50                                               | 33,4                          | 3,0                          | Inside     | 23               | 201,0                                  | 223,1                             | 10,19             | PHC CL20-69.0... |
|              | CL20-81.0    | 31,75      | 81,0                     | 10,84                         | 90,6       | 93,6          | 17,50                                               | 33,4                          | 3,0                          | Inside     | 27               | 237,0                                  | 263,2                             | 11,96             | PHC CL20-81.0... |
| CL20-93.0    | 31,75        | 93,0       | 10,84                    | 102,6                         | 105,6      | 17,50         | 33,4                                                | 3,0                           | Inside                       | 31         | 273,0            | 303,0                                  | 13,73                             | PHC CL20-93.0...  |                  |
| CL20-105.0   | 31,75        | 105,0      | 10,84                    | 114,6                         | 117,6      | 17,50         | 33,4                                                | 3,0                           | Inside                       | 35         | 310,0            | 341,0                                  | 15,50                             | PHC CL20-105.0... |                  |
| CL20-117.0   | 31,75        | 117,0      | 10,84                    | 126,6                         | 129,6      | 17,50         | 33,4                                                | 3,0                           | Inside                       | 39         | 346,0            | 380,6                                  | 17,27                             | PHC CL20-117.0... |                  |
| Crotch       | C4-120       | 12,70      | 19,5                     | 5,08                          | 24,5       | 26,0          | 6,62                                                | 12,1                          | 1,5                          | Inside     | 13               | 20,0                                   | 22,2                              | 1,20              | PHC C4-120...    |
|              | C4-123       | 12,70      | 22,5                     | 5,08                          | 27,5       | 29,0          | 6,62                                                | 12,1                          | 1,5                          | Inside     | 15               | 23,0                                   | 25,5                              | 1,37              | PHC C4-123...    |
|              | C4-129       | 12,70      | 28,5                     | 5,08                          | 33,5       | 35,0          | 6,62                                                | 12,1                          | 1,5                          | Inside     | 19               | 28,5                                   | 31,6                              | 1,72              | PHC C4-129...    |
|              | C4-132       | 12,70      | 31,5                     | 5,08                          | 35,5       | 38,0          | 6,62                                                | 12,1                          | 1,5                          | Inside     | 21               | 31,5                                   | 34,9                              | 1,89              | PHC C4-132...    |
|              | C4-138       | 12,70      | 37,5                     | 5,08                          | 42,5       | 44,0          | 6,62                                                | 12,1                          | 1,5                          | Inside     | 25               | 38,0                                   | 42,1                              | 2,22              | PHC C4-138...    |
|              | C4-150       | 12,70      | 49,5                     | 5,08                          | 54,5       | 56,0          | 6,62                                                | 12,1                          | 1,5                          | Inside     | 33               | 50,0                                   | 55,5                              | 2,90              | PHC C4-150...    |
|              | C4-320       | 12,70      | 19,5                     | 5,08                          | 24,5       | 26,0          | 6,62                                                | 12,1                          | 1,5                          | Outside    | 13               | 20,0                                   | 22,2                              | 1,21              | PHC C4-320...    |
|              | C4-323       | 12,70      | 22,5                     | 5,08                          | 27,5       | 29,0          | 6,62                                                | 12,1                          | 1,5                          | Outside    | 15               | 23,0                                   | 25,5                              | 1,38              | PHC C4-323...    |
|              | C4-329       | 12,70      | 28,5                     | 5,08                          | 33,5       | 35,0          | 6,62                                                | 12,1                          | 1,5                          | Outside    | 19               | 28,5                                   | 31,6                              | 1,73              | PHC C4-329...    |
|              | C4-332       | 12,70      | 31,5                     | 5,08                          | 36,5       | 38,0          | 6,62                                                | 12,1                          | 1,5                          | Outside    | 21               | 31,5                                   | 34,9                              | 1,90              | PHC C4-332...    |
|              | C4-338       | 12,70      | 37,5                     | 5,08                          | 42,5       | 44,0          | 6,62                                                | 12,1                          | 1,5                          | Outside    | 25               | 38,0                                   | 42,1                              | 2,23              | PHC C4-338...    |

Standard lengths are 10 ft. and 5 m. To complete designation, add chain length. For example, a 5m box of CL06-13.5 is PHC CL06-13.5X5MTR. One connecting link is contained per chain. For additional links, add "C/L" for "connecting" and "O/L" for "offset" to the designation.

Leaf chains

ANSI BL422-BL1646



| ANSI Chain number | BS/ISO Chain number | Dimensions |              | Pin diameter $d_2$ Max. | Pin length L Max. | Plate height $h_2$ Max. | Plate thickness T Max. | Ultimate tensile strength Q Min. | Average tensile strength $Q_0$ | Mass per meter | Designation   |
|-------------------|---------------------|------------|--------------|-------------------------|-------------------|-------------------------|------------------------|----------------------------------|--------------------------------|----------------|---------------|
|                   |                     | Pitch P    | Plate lacing |                         |                   |                         |                        |                                  |                                |                |               |
|                   |                     | mm         | -            | mm                      |                   |                         |                        | kN                               |                                | kg/m           | -             |
| BL422             | LH0822              | 12,70      | 2 x 2        | 5,09                    | 11,05             | 12,07                   | 2,08                   | 22,2                             | 27,6                           | 0,64           | PHC BL422...  |
| BL423             | LH0823              | 12,70      | 2 x 3        | 5,09                    | 13,16             | 12,07                   | 2,08                   | 22,2                             | 27,6                           | 0,80           | PHC BL423...  |
| BL434             | LH0834              | 12,70      | 3 x 4        | 5,09                    | 17,40             | 12,07                   | 2,08                   | 33,4                             | 41,4                           | 1,12           | PHC BL434...  |
| BL444             | LH0844              | 12,70      | 4 x 4        | 5,09                    | 19,51             | 12,07                   | 2,08                   | 44,5                             | 56,0                           | 1,28           | PHC BL444...  |
| BL446             | LH0846              | 12,70      | 4 x 6        | 5,09                    | 23,75             | 12,07                   | 2,08                   | 44,5                             | 56,0                           | 1,60           | PHC BL446...  |
| BL466             | LH0866              | 12,70      | 6 x 6        | 5,09                    | 27,99             | 12,07                   | 2,08                   | 66,7                             | 81,7                           | 1,92           | PHC BL466...  |
| BL488             | LH0888              | 12,70      | 8 x 8        | 5,09                    | 36,45             | 12,07                   | 2,08                   | 89,0                             | 109,4                          | 2,56           | PHC BL488...  |
| BL522             | LH1022              | 15,88      | 2 x 2        | 5,96                    | 12,90             | 15,09                   | 2,44                   | 33,4                             | 43,1                           | 0,88           | PHC BL522...  |
| BL523             | LH1023              | 15,88      | 2 x 2        | 5,96                    | 15,37             | 15,09                   | 2,44                   | 33,4                             | 43,1                           | 1,10           | PHC BL523...  |
| BL534             | LH1034              | 15,88      | 3 x 4        | 5,96                    | 20,32             | 15,09                   | 2,44                   | 48,9                             | 65,6                           | 1,50           | PHC BL534...  |
| BL544             | LH1044              | 15,88      | 4 x 4        | 5,96                    | 22,78             | 15,09                   | 2,44                   | 66,7                             | 84,5                           | 1,80           | PHC BL544...  |
| BL546             | LH1046              | 15,88      | 4 x 6        | 5,96                    | 27,74             | 15,09                   | 2,44                   | 66,7                             | 84,5                           | 2,20           | PHC BL546...  |
| BL566             | LH1066              | 15,88      | 6 x 6        | 5,96                    | 32,69             | 15,09                   | 2,44                   | 100,1                            | 125,1                          | 2,65           | PHC BL566...  |
| BL588             | LH1088              | 15,88      | 8 x 8        | 5,96                    | 42,57             | 15,09                   | 2,44                   | 133,4                            | 169,5                          | 3,50           | PHC BL588...  |
| BL622             | LH1222              | 19,05      | 2 x 2        | 7,94                    | 17,37             | 18,11                   | 3,30                   | 48,9                             | 63,6                           | 1,45           | PHC BL622...  |
| BL623             | LH1223              | 19,05      | 2 x 3        | 7,94                    | 20,73             | 18,11                   | 3,30                   | 48,9                             | 63,6                           | 1,80           | PHC BL623...  |
| BL634             | LH1234              | 19,05      | 3 x 4        | 7,94                    | 27,43             | 18,11                   | 3,30                   | 75,6                             | 102,8                          | 2,50           | PHC BL634...  |
| BL644             | LH1244              | 19,05      | 4 x 4        | 7,94                    | 30,78             | 18,11                   | 3,30                   | 97,9                             | 120,9                          | 2,90           | PHC BL644...  |
| BL646             | LH1246              | 19,05      | 4 x 6        | 7,94                    | 37,49             | 18,11                   | 3,30                   | 97,9                             | 120,9                          | 3,60           | PHC BL646...  |
| BL666             | LH1266              | 19,05      | 6 x 6        | 7,94                    | 44,20             | 18,11                   | 3,30                   | 146,8                            | 190,8                          | 4,30           | PHC BL666...  |
| BL688             | LH1288              | 19,05      | 8 x 8        | 7,94                    | 57,61             | 18,11                   | 3,30                   | 195,7                            | 238,8                          | 5,80           | PHC BL688...  |
| BL822             | LH1622              | 25,40      | 2 x 2        | 9,54                    | 21,34             | 24,13                   | 4,09                   | 84,5                             | 108,2                          | 2,20           | PHC BL822...  |
| BL823             | LH1623              | 25,40      | 2 x 3        | 9,54                    | 25,48             | 24,13                   | 4,09                   | 84,5                             | 108,2                          | 2,70           | PHC BL823...  |
| BL834             | LH1634              | 25,40      | 3 x 4        | 9,54                    | 33,76             | 24,13                   | 4,09                   | 129,0                            | 170,0                          | 3,80           | PHC BL834...  |
| BL844             | LH1644              | 25,40      | 4 x 4        | 9,54                    | 37,90             | 24,13                   | 4,09                   | 169,0                            | 214,6                          | 4,30           | PHC BL844...  |
| BL846             | LH1646              | 25,40      | 4 x 6        | 9,54                    | 46,18             | 24,13                   | 4,09                   | 169,0                            | 214,6                          | 5,40           | PHC BL846...  |
| BL866             | LH1666              | 25,40      | 6 x 6        | 9,54                    | 54,46             | 24,13                   | 4,09                   | 253,6                            | 324,5                          | 6,50           | PHC BL866...  |
| BL888             | LH1688              | 25,40      | 8 x 8        | 9,54                    | 71,02             | 24,13                   | 4,09                   | 338,1                            | 432,7                          | 8,60           | PHC BL888...  |
| BL1022            | LH2022              | 31,75      | 2 x 2        | 11,11                   | 25,37             | 30,18                   | 4,90                   | 115,6                            | 150,8                          | 3,40           | PHC BL1022... |
| BL1023            | LH2023              | 31,75      | 2 x 3        | 11,11                   | 30,33             | 30,18                   | 4,90                   | 115,6                            | 150,8                          | 4,30           | PHC BL1023... |
| BL1034            | LH2034              | 31,75      | 3 x 4        | 11,11                   | 40,23             | 30,18                   | 4,90                   | 182,4                            | 231,6                          | 6,00           | PHC BL1034... |
| BL1044            | LH2044              | 31,75      | 4 x 4        | 11,11                   | 45,19             | 30,18                   | 4,90                   | 231,3                            | 291,4                          | 6,90           | PHC BL1044... |
| BL1046            | LH2046              | 31,75      | 4 x 6        | 11,11                   | 55,09             | 30,18                   | 4,90                   | 231,3                            | 291,4                          | 8,60           | PHC BL1046... |
| BL1066            | LH2066              | 31,75      | 6 x 6        | 11,11                   | 65,00             | 30,18                   | 4,90                   | 347,0                            | 430,3                          | 10,30          | PHC BL1066... |
| BL1088            | LH2088              | 31,75      | 8 x 8        | 11,11                   | 84,81             | 30,18                   | 4,90                   | 462,6                            | 555,1                          | 13,80          | PHC BL1088... |
| BL1222            | LH2422              | 38,10      | 2 x 2        | 12,71                   | 29,62             | 36,20                   | 5,77                   | 151,2                            | 192,0                          | 4,60           | PHC BL1222... |
| BL1223            | LH2423              | 38,10      | 2 x 3        | 12,71                   | 35,43             | 36,20                   | 5,77                   | 151,2                            | 192,0                          | 5,80           | PHC BL1223... |
| BL1234            | LH2434              | 38,10      | 3 x 4        | 12,71                   | 47,07             | 36,20                   | 5,77                   | 244,6                            | 315,9                          | 8,10           | PHC BL1234... |
| BL1244            | LH2444              | 38,10      | 4 x 4        | 12,71                   | 52,88             | 36,20                   | 5,77                   | 302,5                            | 381,1                          | 9,30           | PHC BL1244... |
| BL1246            | LH2446              | 38,10      | 4 x 6        | 12,71                   | 64,52             | 36,20                   | 5,77                   | 302,5                            | 381,1                          | 11,60          | PHC BL1246... |
| BL1266            | LH2466              | 38,10      | 6 x 6        | 12,71                   | 76,15             | 36,20                   | 5,77                   | 453,7                            | 543,6                          | 13,90          | PHC BL1266... |
| BL1288            | LH2488              | 38,10      | 8 x 8        | 12,71                   | 99,42             | 36,20                   | 5,77                   | 605,0                            | 726,0                          | 18,60          | PHC BL1288... |
| BL1422            | LH2822              | 44,45      | 2 x 2        | 14,29                   | 33,55             | 42,24                   | 6,55                   | 191,3                            | 225,7                          | 6,10           | PHC BL1422... |
| BL1423            | LH2823              | 44,45      | 2 x 3        | 14,29                   | 40,16             | 42,24                   | 6,55                   | 191,3                            | 225,7                          | 7,60           | PHC BL1423... |
| BL1434            | LH2834              | 44,45      | 3 x 4        | 14,29                   | 53,37             | 42,24                   | 6,55                   | 315,8                            | 372,6                          | 10,60          | PHC BL1434... |
| BL1444            | LH2844              | 44,45      | 4 x 4        | 14,29                   | 59,97             | 42,24                   | 6,55                   | 382,6                            | 451,2                          | 12,20          | PHC BL1444... |
| BL1446            | LH2846              | 44,45      | 4 x 6        | 14,29                   | 73,18             | 42,24                   | 6,55                   | 382,6                            | 451,2                          | 15,20          | PHC BL1446... |
| BL1466            | LH2866              | 44,45      | 6 x 6        | 14,29                   | 86,39             | 42,24                   | 6,55                   | 578,3                            | 682,4                          | 18,20          | PHC BL1466... |
| BL1488            | LH2888              | 44,45      | 8 x 8        | 14,29                   | 112,80            | 42,24                   | 6,55                   | 765,1                            | 902,8                          | 24,30          | PHC BL1488... |
| BL1622            | LH3222              | 50,80      | 2 x 2        | 17,46                   | 39,01             | 48,26                   | 7,52                   | 289,1                            | 341,1                          | 8,00           | PHC BL1622... |
| BL1623            | LH3223              | 50,80      | 2 x 3        | 17,46                   | 46,58             | 48,26                   | 7,52                   | 289,1                            | 341,1                          | 10,00          | PHC BL1623... |
| BL1634            | LH3234              | 50,80      | 3 x 4        | 17,46                   | 61,72             | 48,26                   | 7,52                   | 440,4                            | 519,6                          | 14,00          | PHC BL1634... |
| BL1644            | LH3244              | 50,80      | 4 x 4        | 17,46                   | 69,29             | 48,26                   | 7,52                   | 573,8                            | 680,4                          | 16,00          | PHC BL1644... |
| BL1646            | LH3246              | 50,80      | 4 x 6        | 17,46                   | 84,43             | 48,26                   | 7,52                   | 573,8                            | 680,4                          | 20,00          | PHC BL1646... |

Standard lengths are 10 ft. and 5 m. To complete designation, add chain length. For example, a 5m box of BL422 is PHC BL422X5MTR. One connecting link is contained per chain. For additional links, add "C/L" for "connecting" and "O/L" for "offset" to the designation.

## Leaf chains

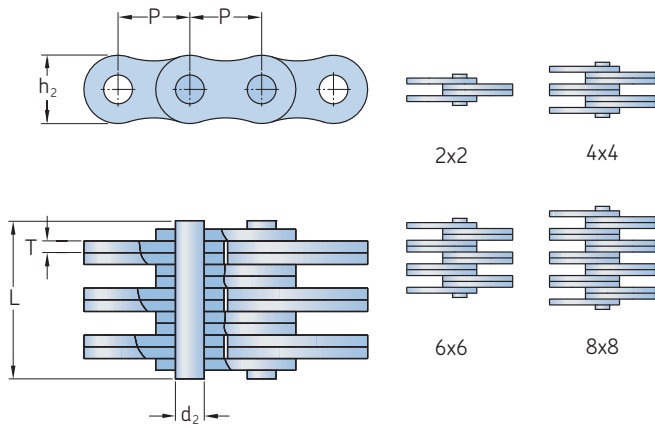
ANSI BL1666-BL2088 | ANSI AL322-AL1688

| ANSI Chain number | BS/ISO Chain number | Dimensions |              | Pin diameter d <sub>2</sub> Max. | Pin length L Max. | Plate height h <sub>2</sub> Max. | Plate thickness T Max. | Ultimate tensile strength Q Min. | Average tensile strength Q <sub>0</sub> | Mass per meter | Designation   |
|-------------------|---------------------|------------|--------------|----------------------------------|-------------------|----------------------------------|------------------------|----------------------------------|-----------------------------------------|----------------|---------------|
|                   |                     | Pitch P    | Plate lacing |                                  |                   |                                  |                        |                                  |                                         |                |               |
| –                 | –                   | mm         | –            | mm                               | –                 | –                                | –                      | kN                               | –                                       | kg/m           | –             |
| BL1666            | LH3266              | 50,80      | 6 x 6        | 17,46                            | 99,57             | 48,26                            | 7,52                   | 857,4                            | 1 000,7                                 | 24,00          | PHC BL1666... |
| BL1688            | LH3288              | 50,80      | 8 x 8        | 17,46                            | 129,84            | 48,26                            | 7,52                   | 1 156,5                          | 1 364,6                                 | 32,00          | PHC BL1688... |
| BL2022            | LH4022              | 63,50      | 2 x 2        | 23,81                            | 51,74             | 60,33                            | 9,91                   | 433,7                            | 511,7                                   | 15,80          | PHC BL2022... |
| BL2023            | LH4023              | 63,50      | 2 x 3        | 23,81                            | 61,70             | 60,33                            | 9,91                   | 433,7                            | 511,7                                   | 19,80          | PHC BL2023... |
| BL2034            | LH4034              | 63,50      | 3 x 4        | 23,81                            | 81,61             | 60,33                            | 9,91                   | 649,4                            | 766,2                                   | 27,70          | PHC BL2034... |
| BL2044            | LH4044              | 63,50      | 4 x 4        | 23,81                            | 91,57             | 60,33                            | 9,91                   | 867,4                            | 1 023,5                                 | 31,60          | PHC BL2044... |
| BL2046            | LH4046              | 63,50      | 4 x 6        | 23,81                            | 111,48            | 60,33                            | 9,91                   | 867,4                            | 1 023,5                                 | 39,50          | PHC BL2046... |
| BL2066            | LH4066              | 63,50      | 6 x 6        | 23,81                            | 131,39            | 60,33                            | 9,91                   | 1 301,1                          | 1 535,2                                 | 47,40          | PHC BL2066... |
| BL2088            | LH4088              | 63,50      | 8 x 8        | 23,81                            | 171,22            | 60,33                            | 9,91                   | 1 734,8                          | 2 046,5                                 | 63,20          | PHC BL2088... |
| AL322             | –                   | 9,53       | 2 x 2        | 3,58                             | 6,80              | 7,70                             | 1,30                   | 9,0                              | 10,2                                    | 0,23           | PHC AL322...  |
| AL344             | –                   | 9,53       | 4 x 4        | 3,58                             | 11,60             | 7,70                             | 1,30                   | 18,0                             | 20,0                                    | 0,46           | PHC AL344...  |
| AL422             | –                   | 12,70      | 2 x 2        | 3,96                             | 8,30              | 10,40                            | 1,50                   | 14,1                             | 16,9                                    | 0,39           | PHC AL422...  |
| AL444             | –                   | 12,70      | 4 x 4        | 3,96                             | 14,40             | 10,40                            | 1,50                   | 28,2                             | 35,2                                    | 0,74           | PHC AL444...  |
| AL466             | –                   | 12,70      | 6 x 6        | 3,96                             | 20,50             | 10,40                            | 1,50                   | 42,3                             | 52,7                                    | 1,13           | PHC AL466...  |
| AL522             | –                   | 15,88      | 2 x 2        | 5,08                             | 11,05             | 12,80                            | 2,03                   | 22,0                             | 27,5                                    | 0,64           | PHC AL522...  |
| AL534             | –                   | 15,88      | 3 x 4        | 5,08                             | 17,00             | 12,80                            | 2,03                   | 33,0                             | 46,0                                    | 1,10           | PHC AL534...  |
| AL544             | –                   | 15,88      | 4 x 4        | 5,08                             | 19,40             | 12,80                            | 2,03                   | 44,0                             | 55,0                                    | 1,25           | PHC AL544...  |
| AL566             | –                   | 15,88      | 6 x 6        | 5,08                             | 27,50             | 12,80                            | 2,03                   | 66,0                             | 82,5                                    | 1,79           | PHC AL566...  |
| AL622             | –                   | 19,05      | 2 x 2        | 5,94                             | 13,00             | 15,60                            | 2,42                   | 37,0                             | 44,4                                    | 0,86           | PHC AL622...  |
| AL644             | –                   | 19,05      | 4 x 4        | 5,94                             | 22,70             | 15,60                            | 2,42                   | 63,7                             | 78,8                                    | 1,76           | PHC AL644...  |
| AL666             | –                   | 19,05      | 6 x 6        | 5,94                             | 32,20             | 15,60                            | 2,42                   | 100,1                            | 118,6                                   | 2,60           | PHC AL666...  |
| AL688             | –                   | 19,05      | 8 x 8        | 5,94                             | 42,20             | 15,60                            | 2,42                   | 133,4                            | 156,6                                   | 3,49           | PHC AL688...  |
| AL822             | –                   | 25,40      | 2 x 2        | 7,92                             | 16,00             | 20,50                            | 3,25                   | 56,7                             | 68,6                                    | 1,54           | PHC AL822...  |
| AL844             | –                   | 25,40      | 4 x 4        | 7,92                             | 29,40             | 20,50                            | 3,25                   | 113,4                            | 135,6                                   | 3,00           | PHC AL844...  |
| AL866             | –                   | 25,40      | 6 x 6        | 7,92                             | 44,20             | 20,50                            | 3,25                   | 170,0                            | 202,3                                   | 4,46           | PHC AL866...  |
| AL1022            | –                   | 31,75      | 2 x 2        | 9,53                             | 19,60             | 25,60                            | 4,00                   | 88,5                             | 107,1                                   | 2,37           | PHC AL1022... |
| AL1044            | –                   | 31,75      | 4 x 4        | 9,53                             | 36,40             | 25,60                            | 4,00                   | 177,0                            | 203,6                                   | 4,68           | PHC AL1044... |
| AL1066            | –                   | 31,75      | 6 x 6        | 9,53                             | 52,30             | 25,60                            | 4,00                   | 265,0                            | 315,3                                   | 7,20           | PHC AL1066... |
| AL1088            | –                   | 31,75      | 8 x 8        | 9,53                             | 68,50             | 25,60                            | 4,00                   | 354,0                            | 421,2                                   | 9,94           | PHC AL1088... |
| AL1222            | –                   | 38,10      | 2 x 2        | 11,10                            | 24,30             | 30,50                            | 4,80                   | 127,0                            | 151,1                                   | 3,65           | PHC AL1222... |
| AL1244            | –                   | 38,10      | 4 x 4        | 11,10                            | 43,80             | 30,50                            | 4,80                   | 254,0                            | 299,7                                   | 7,05           | PHC AL1244... |
| AL1266            | –                   | 38,10      | 6 x 6        | 11,10                            | 63,20             | 30,50                            | 4,80                   | 381,0                            | 426,3                                   | 10,50          | PHC AL1266... |
| AL1288            | –                   | 38,10      | 8 x 8        | 11,10                            | 82,60             | 30,50                            | 4,80                   | 508,0                            | 568,4                                   | 14,03          | PHC AL1288... |
| AL1444            | –                   | 44,45      | 4 x 4        | 12,64                            | 51,30             | 36,40                            | 5,60                   | 372,7                            | 413,6                                   | 10,34          | PHC AL1444... |
| AL1466            | –                   | 44,45      | 6 x 6        | 12,64                            | 74,56             | 36,40                            | 5,60                   | 559,0                            | 620,4                                   | 15,16          | PHC AL1466... |
| AL1644            | –                   | 50,80      | 4 x 4        | 14,21                            | 58,00             | 41,60                            | 6,40                   | 471,0                            | 522,8                                   | 12,98          | PHC AL1644... |
| AL1666            | –                   | 50,80      | 6 x 6        | 14,21                            | 83,80             | 41,60                            | 6,40                   | 706,0                            | 783,6                                   | 19,76          | PHC AL1666... |
| AL1688            | –                   | 50,80      | 8 x 8        | 14,21                            | 109,50            | 41,60                            | 6,40                   | 942,0                            | 1 045,5                                 | 25,47          | PHC AL1688... |

Standard lengths are 10 ft. and 5 m. To complete designation, add chain length. For example, a 5m box of BL422 is PHC BL422X5MTR. One connecting link is contained per chain. For additional links, add "C/L" for "connecting" and "O/L" for "offset" to the designation.

# Leaf chains

BS/ISO LL0822-LL4888

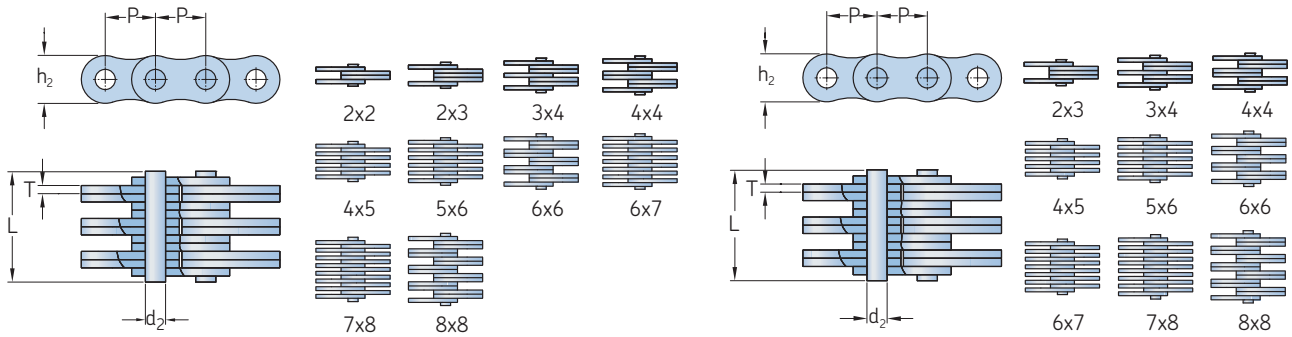


| BS/ISO Chain number | Dimensions |              | Pin diameter $d_2$ Max. | Pin length L Max. | Plate height $h_2$ Max. | Plate thickness T Max. | Ultimate tensile strength Q Min. | Average tensile strength $Q_0$ | Mass per meter | Designation   |
|---------------------|------------|--------------|-------------------------|-------------------|-------------------------|------------------------|----------------------------------|--------------------------------|----------------|---------------|
|                     | Pitch      | Plate lacing |                         |                   |                         |                        |                                  |                                |                |               |
| -                   | mm         | -            | mm                      |                   |                         |                        | kN                               |                                | kg/m           | -             |
| LL0822              | 12,70      | 2 x 2        | 4,45                    | 8,9               | 10,60                   | 1,60                   | 18,2                             | 20,4                           | 0,42           | PHC LL0822... |
| LL0844              | 12,70      | 4 x 4        | 4,45                    | 15,6              | 10,60                   | 1,60                   | 36,4                             | 40,7                           | 0,84           | PHC LL0844... |
| LL0866              | 12,70      | 6 x 6        | 4,45                    | 22,0              | 10,60                   | 1,60                   | 54,6                             | 60,0                           | 1,24           | PHC LL0866... |
| LL0888              | 12,70      | 8 x 8        | 4,45                    | 28,5              | 10,60                   | 1,60                   | 72,8                             | 80,0                           | 1,64           | PHC LL0888... |
| LL1022              | 15,88      | 2 x 2        | 5,08                    | 9,2               | 13,70                   | 1,60                   | 22,7                             | 25,5                           | 0,54           | PHC LL1022... |
| LL1044              | 15,88      | 4 x 4        | 5,08                    | 15,8              | 13,70                   | 1,60                   | 45,4                             | 51,0                           | 1,06           | PHC LL1044... |
| LL1066              | 15,88      | 6 x 6        | 5,08                    | 22,1              | 13,70                   | 1,60                   | 68,1                             | 76,3                           | 1,57           | PHC LL1066... |
| LL1088              | 15,88      | 8 x 8        | 5,08                    | 28,8              | 13,70                   | 1,60                   | 90,8                             | 101,9                          | 2,10           | PHC LL1088... |
| LL1222              | 19,05      | 2 x 2        | 5,72                    | 10,4              | 16,00                   | 1,85                   | 29,5                             | 33,2                           | 0,73           | PHC LL1222... |
| LL1244              | 19,05      | 4 x 4        | 5,72                    | 17,9              | 16,00                   | 1,85                   | 59,0                             | 66,4                           | 1,44           | PHC LL1244... |
| LL1266              | 19,05      | 6 x 6        | 5,72                    | 25,4              | 16,00                   | 1,85                   | 88,5                             | 99,7                           | 2,15           | PHC LL1266... |
| LL1288              | 19,05      | 8 x 8        | 5,72                    | 32,9              | 16,00                   | 1,85                   | 118,0                            | 132,9                          | 2,84           | PHC LL1288... |
| LL1622              | 25,40      | 2 x 2        | 8,28                    | 17,2              | 21,00                   | 3,10                   | 58,0                             | 66,7                           | 1,52           | PHC LL1622... |
| LL1644              | 25,40      | 4 x 4        | 8,28                    | 29,6              | 21,00                   | 3,10                   | 116,0                            | 140,0                          | 2,90           | PHC LL1644... |
| LL1666              | 25,40      | 6 x 6        | 8,28                    | 42,4              | 21,00                   | 3,10                   | 174,0                            | 208,8                          | 4,30           | PHC LL1666... |
| LL1688              | 25,40      | 8 x 8        | 8,28                    | 54,9              | 21,00                   | 3,10                   | 232,0                            | 278,0                          | 5,71           | PHC LL1688... |
| LL2022              | 31,75      | 2 x 2        | 10,19                   | 20,1              | 26,40                   | 3,50                   | 95,0                             | 109,2                          | 2,33           | PHC LL2022... |
| LL2044              | 31,75      | 4 x 4        | 10,19                   | 33,8              | 26,40                   | 3,50                   | 190,0                            | 218,5                          | 4,40           | PHC LL2044... |
| LL2066              | 31,75      | 6 x 6        | 10,19                   | 50,1              | 26,40                   | 3,50                   | 285,0                            | 324,6                          | 6,79           | PHC LL2066... |
| LL2088              | 31,75      | 8 x 8        | 10,19                   | 64,0              | 26,40                   | 3,50                   | 380,0                            | 435,1                          | 8,90           | PHC LL2088... |
| LL2422              | 38,10      | 2 x 2        | 14,63                   | 28,4              | 33,40                   | 5,00                   | 170,0                            | 195,5                          | 4,47           | PHC LL2422... |
| LL2444              | 38,10      | 4 x 4        | 14,63                   | 46,3              | 33,40                   | 5,00                   | 340,0                            | 380,8                          | 8,22           | PHC LL2444... |
| LL2466              | 38,10      | 6 x 6        | 14,63                   | 66,4              | 33,40                   | 5,00                   | 510,0                            | 571,2                          | 12,22          | PHC LL2466... |
| LL2488              | 38,10      | 8 x 8        | 14,63                   | 86,6              | 33,40                   | 5,00                   | 680,0                            | 775,2                          | 16,30          | PHC LL2488... |
| LL2822              | 44,45      | 2 x 2        | 15,90                   | 32,2              | 37,08                   | 6,00                   | 200,0                            | 224,0                          | 5,10           | PHC LL2822... |
| LL2844              | 44,45      | 4 x 4        | 15,90                   | 56,4              | 37,08                   | 6,00                   | 400,0                            | 448,0                          | 9,90           | PHC LL2844... |
| LL2866              | 44,45      | 6 x 6        | 15,90                   | 80,8              | 37,08                   | 6,00                   | 600,0                            | 672,0                          | 14,60          | PHC LL2866... |
| LL2888              | 44,45      | 8 x 8        | 15,90                   | 105,2             | 37,08                   | 6,00                   | 800,0                            | 896,0                          | 19,40          | PHC LL2888... |
| LL3222              | 50,80      | 2 x 2        | 17,81                   | 34,8              | 42,00                   | 6,40                   | 260,0                            | 291,2                          | 6,20           | PHC LL3222... |
| LL3244              | 50,80      | 4 x 4        | 17,81                   | 60,6              | 42,00                   | 6,40                   | 520,0                            | 582,4                          | 12,30          | PHC LL3244... |
| LL3266              | 50,80      | 6 x 6        | 17,81                   | 86,4              | 42,00                   | 6,40                   | 780,0                            | 873,6                          | 18,30          | PHC LL3266... |
| LL3288              | 50,80      | 8 x 8        | 17,81                   | 112,2             | 42,00                   | 6,40                   | 1 040,0                          | 1 176,0                        | 24,00          | PHC LL3288... |
| LL4022              | 63,50      | 2 x 2        | 22,89                   | 42,2              | 52,76                   | 8,00                   | 360,0                            | 403,2                          | 10,30          | PHC LL4022... |
| LL4044              | 63,50      | 4 x 4        | 22,89                   | 74,4              | 52,76                   | 8,00                   | 780,0                            | 873,6                          | 20,00          | PHC LL4044... |
| LL4066              | 63,50      | 6 x 6        | 22,89                   | 106,5             | 52,76                   | 8,00                   | 1 080,0                          | 1 209,6                        | 30,00          | PHC LL4066... |
| LL4088              | 63,50      | 8 x 8        | 22,89                   | 140,0             | 52,76                   | 8,00                   | 1 440,0                          | 1 747,2                        | 39,10          | PHC LL4088... |
| LL4822              | 76,20      | 2 x 2        | 29,24                   | 54,6              | 63,88                   | 10,00                  | 560,0                            | 627,2                          | 18,50          | PHC LL4822... |
| LL4844              | 76,20      | 4 x 4        | 29,24                   | 92,6              | 63,88                   | 10,00                  | 1 120,0                          | 1 554,4                        | 35,70          | PHC LL4844... |
| LL4866              | 76,20      | 6 x 6        | 29,24                   | 133,4             | 63,88                   | 10,00                  | 1 680,0                          | 2 180,0                        | 53,00          | PHC LL4866... |
| LL4888              | 76,20      | 8 x 8        | 29,24                   | 174,2             | 63,88                   | 10,00                  | 2 240,0                          | 2 508,8                        | 70,40          | PHC LL4888... |

Standard lengths are 10 ft. and 5 m. To complete designation, add chain length. For example, a 5m box of LL0822 is PHC LL0822X5MTR. One connecting link is contained per chain. For additional links, add "C/L" for "connecting" and "O/L" for "offset" to the designation.

## Leaf chains

FL, F19V, FLC | 12XX, 15XX, 19XX, 25XX



| Chain number   | Dimensions |                 | Pin diameter<br>$d_2$<br>Max. | Pin length<br>L<br>Max. | Plate height<br>$h_2$<br>Max. | Plate thickness<br>T<br>Max. | Chain length over<br>100 pitches +/- 0,25% | Ultimate<br>tensile<br>strength<br>Q<br>Min. | Average<br>tensile<br>strength<br>$Q_0$ | Mass<br>per<br>meter | Designation    |
|----------------|------------|-----------------|-------------------------------|-------------------------|-------------------------------|------------------------------|--------------------------------------------|----------------------------------------------|-----------------------------------------|----------------------|----------------|
|                | Pitch<br>P | Plate<br>lacing |                               |                         |                               |                              |                                            |                                              |                                         |                      |                |
| -              | mm         | -               | mm                            | -                       | -                             | -                            | -                                          | kN                                           | -                                       | kg/m                 | -              |
| <b>FL644</b>   | 5,94       | 4 x 4           | 1,85                          | 6,6                     | 4,7                           | 0,60                         | -                                          | 6,50                                         | 7,8                                     | 0,13                 | PHC FL644...   |
| <b>FL666</b>   | 5,94       | 6 x 6           | 1,85                          | 9,3                     | 4,7                           | 0,60                         | -                                          | 9,75                                         | 11,8                                    | 0,20                 | PHC FL666...   |
| <b>FL688</b>   | 5,94       | 8 x 8           | 1,85                          | 12,0                    | 4,7                           | 0,60                         | -                                          | 13,00                                        | 15,6                                    | 0,25                 | PHC FL688...   |
| <b>FL844</b>   | 8,00       | 4 x 4           | 2,31                          | 7,9                     | 6,9                           | 0,73                         | -                                          | 10,00                                        | 12,1                                    | 0,25                 | PHC FL844...   |
| <b>FL944</b>   | 9,53       | 4 x 4           | 3,28                          | 10,4                    | 8,7                           | 1,04                         | -                                          | 21,00                                        | 24,7                                    | 0,43                 | PHC FL944...   |
| <b>FL966</b>   | 9,53       | 6 x 6           | 3,28                          | 14,9                    | 8,7                           | 1,00                         | -                                          | 31,00                                        | 36,8                                    | 0,65                 | PHC FL966...   |
| <b>F122</b>    | 12,70      | 2 x 2           | 3,58                          | 7,0                     | 8,2                           | 1,00                         | -                                          | 11,43                                        | 13,6                                    | 0,19                 | PHC F122...    |
| <b>F1223</b>   | 12,70      | 2 x 3           | 4,45                          | 12,8                    | 10,2                          | 2,03                         | -                                          | 20,00                                        | 23,8                                    | 0,61                 | PHC F1223...   |
| <b>FL1244</b>  | 12,70      | 4 x 4           | 4,45                          | 16,7                    | 10,2                          | 1,70                         | -                                          | 44,00                                        | 52,3                                    | 0,83                 | PHC FL1244...  |
| <b>F19V-44</b> | 19,05      | 4 x 4           | 6,50                          | 22,4                    | 15,2                          | 2,42                         | -                                          | 71,00                                        | 84,3                                    | 1,73                 | PHC F19V-44... |
| <b>F19V-66</b> | 19,05      | 6 x 6           | 6,50                          | 32,3                    | 15,2                          | 2,42                         | -                                          | 106,00                                       | 125,9                                   | 2,57                 | PHC F19V-66... |
| <b>FLC534</b>  | 15,88      | 3 x 4           | 5,08                          | 15,3                    | 12,7                          | 1,85                         | -                                          | 40,40                                        | 44,4                                    | 0,99                 | PHC FLC534...  |
| <b>FLC545</b>  | 15,88      | 4 x 5           | 5,08                          | 19,2                    | 12,7                          | 1,85                         | -                                          | 54,30                                        | 59,7                                    | 1,27                 | PHC FLC545...  |
| <b>FLC556</b>  | 15,88      | 5 x 6           | 5,08                          | 22,7                    | 12,7                          | 1,85                         | -                                          | 67,60                                        | 74,3                                    | 1,54                 | PHC FLC556...  |
| <b>FLC1056</b> | 31,75      | 5 x 6           | 9,53                          | 40,6                    | 25,4                          | 3,25                         | -                                          | 137,90                                       | 151,0                                   | 5,44                 | PHC FLC1056... |
| <b>FLC1067</b> | 31,75      | 6 x 7           | 9,53                          | 47,2                    | 25,4                          | 3,25                         | -                                          | 165,40                                       | 181,9                                   | 6,42                 | PHC FLC1067... |
| <b>FLC1078</b> | 31,75      | 7 x 8           | 9,53                          | 53,8                    | 25,4                          | 3,25                         | -                                          | 193,00                                       | 212,0                                   | 7,40                 | PHC FLC1078... |
| <b>1234</b>    | 12,70      | 3 x 4           | 4,45                          | 14,2                    | 10,6                          | 1,70                         | 1 262                                      | 31,00                                        | -                                       | 0,75                 | PHC 1234...    |
| <b>1256</b>    | 12,70      | 5 x 6           | 4,45                          | 21,1                    | 10,6                          | 1,70                         | 1 262                                      | 53,00                                        | -                                       | 1,17                 | PHC 1256...    |
| <b>1288</b>    | 12,70      | 8 x 8           | 4,45                          | 29,9                    | 10,6                          | 1,70                         | 1 262                                      | 85,00                                        | -                                       | 1,70                 | PHC 1288...    |
| <b>1523</b>    | 15,88      | 2 x 3           | 5,08                          | 12,1                    | 12,7                          | 1,94                         | 1 580                                      | 29,00                                        | -                                       | 0,75                 | PHC 1523...    |
| <b>1534</b>    | 15,88      | 3 x 4           | 5,08                          | 16,0                    | 12,7                          | 1,94                         | 1 580                                      | 46,00                                        | -                                       | 1,04                 | PHC 1534...    |
| <b>1544</b>    | 15,88      | 4 x 4           | 5,08                          | 18,1                    | 12,7                          | 1,94                         | 1 580                                      | 58,00                                        | -                                       | 1,18                 | PHC 1544...    |
| <b>1545</b>    | 15,88      | 4 x 6           | 5,08                          | 20,3                    | 12,7                          | 1,94                         | 1 580                                      | 58,00                                        | -                                       | 1,33                 | PHC 1545...    |
| <b>1556</b>    | 15,88      | 5 x 6           | 5,08                          | 24,0                    | 12,7                          | 1,94                         | 1 580                                      | 72,00                                        | -                                       | 1,63                 | PHC 1556...    |
| <b>1566</b>    | 15,88      | 6 x 6           | 5,08                          | 26,2                    | 12,7                          | 1,94                         | 1 580                                      | 87,00                                        | -                                       | 1,77                 | PHC 1566...    |
| <b>1567</b>    | 15,88      | 6 x 7           | 5,08                          | 28,0                    | 12,7                          | 1,94                         | 1 580                                      | 90,00                                        | -                                       | 1,91                 | PHC 1567...    |
| <b>1578</b>    | 15,88      | 7 x 8           | 5,08                          | 32,5                    | 12,7                          | 1,94                         | 1 580                                      | 101,00                                       | -                                       | 2,20                 | PHC 1578...    |
| <b>1588</b>    | 15,88      | 8 x 8           | 5,08                          | 34,0                    | 12,7                          | 1,94                         | 1 580                                      | 115,00                                       | -                                       | 2,34                 | PHC 1588...    |
| <b>1944</b>    | 19,05      | 4 x 4           | 5,72                          | 21,3                    | 15,0                          | 2,29                         | 1 891                                      | 73,00                                        | -                                       | 1,58                 | PHC 1944...    |
| <b>1966</b>    | 19,05      | 6 x 6           | 5,72                          | 30,7                    | 15,0                          | 2,29                         | 1 891                                      | 110,00                                       | -                                       | 2,37                 | PHC 1966...    |
| <b>1988</b>    | 19,05      | 8 x 8           | 5,72                          | 40,0                    | 15,0                          | 2,29                         | 1 891                                      | 140,00                                       | -                                       | 3,13                 | PHC 1988...    |
| <b>2523</b>    | 25,40      | 2 x 3           | 8,28                          | 18,8                    | 20,2                          | 3,06                         | 2 532                                      | 72,00                                        | -                                       | 1,83                 | PHC 2523...    |
| <b>2534</b>    | 25,40      | 3 x 4           | 8,28                          | 25,3                    | 20,2                          | 3,06                         | 2 532                                      | 108,00                                       | -                                       | 2,55                 | PHC 2534...    |
| <b>2545</b>    | 25,40      | 4 x 5           | 8,28                          | 31,6                    | 20,2                          | 3,06                         | 2 532                                      | 144,00                                       | -                                       | 3,26                 | PHC 2545...    |
| <b>2556</b>    | 25,40      | 5 x 6           | 8,28                          | 37,2                    | 20,2                          | 3,06                         | 2 532                                      | 180,00                                       | -                                       | 3,96                 | PHC 2556...    |
| <b>2567</b>    | 25,40      | 6 x 7           | 8,28                          | 43,8                    | 20,2                          | 3,06                         | 2 532                                      | 216,00                                       | -                                       | 4,68                 | PHC 2567...    |
| <b>2578</b>    | 25,40      | 7 x 8           | 8,28                          | 50,0                    | 20,2                          | 3,06                         | 2 532                                      | 252,00                                       | -                                       | 5,39                 | PHC 2578...    |
| <b>2588</b>    | 25,40      | 8 x 8           | 8,28                          | 52,8                    | 20,2                          | 3,06                         | 2 532                                      | 290,00                                       | -                                       | 5,77                 | PHC 2588...    |

Standard lengths are 10 ft. and 5 m. To complete designation, add chain length. For example, a 5m box of FL644 is PHC FL644X5MTR. One connecting link is contained per chain. For additional links, add "C/L" for "connecting" and "O/L" for "offset" to the designation.



# Couplings



Grid couplings ..... 106



Gear couplings ..... 111



Disc couplings ..... 121



SKF Flex couplings ..... 131



SKF Flex spacer coupling ..... 133



Chain couplings ..... 135



Rigid couplings ..... 137



FRC couplings ..... 139



Jaw couplings ..... 141



Universal joints ..... 143





## SKF Couplings

SKF coupling range nomenclature has a defined prefix of PHE. The coupling range is covered by limited standards, AGMA is the main standard to cover interchangeability for couplings, and spacers are covered by ANSI or ISO for lengths.

### Couplings

The coupling range designation from SKF has the following is an example to indicate set up.

|                                                                                                                                                                                                                                                                                                                                                                                                                                                                                                                                                                                                                                                                  |                               |
|------------------------------------------------------------------------------------------------------------------------------------------------------------------------------------------------------------------------------------------------------------------------------------------------------------------------------------------------------------------------------------------------------------------------------------------------------------------------------------------------------------------------------------------------------------------------------------------------------------------------------------------------------------------|-------------------------------|
| <p><b>SKF Designation prefix</b></p> <p><b>Coupling size and type</b><br/>         Example:<br/>         F90 - Flex coupling size 90<br/>         1070TG – taper grid coupling size 1070</p> <p><b>Supplementary</b><br/>         Many different supplementary designations, examples<br/>         HTB- taper bushing type H<br/>         NR – insert type Nitrile<br/>         HCOVER – cover type H, horizontal</p> <p><b>Note</b><br/>         See SKF product training for full supplementary notations</p> <p><b>Supplementary</b><br/>         Many different supplementary designations, example<br/>         FLG – flange hub only for Flex coupling</p> | <p><b>PHE F90 HTB FLG</b></p> |
|------------------------------------------------------------------------------------------------------------------------------------------------------------------------------------------------------------------------------------------------------------------------------------------------------------------------------------------------------------------------------------------------------------------------------------------------------------------------------------------------------------------------------------------------------------------------------------------------------------------------------------------------------------------|-------------------------------|

### Couplings (PHE Product Group)

SKF Flex-, Chain-, FRC-, Jaw couplings and Universal joints are manufactured according to established market standards and are fully interchangeable with other brands:

- Metric bore keyway machined according to BS 4231:Part 1 and DIN 6885;
- British imperial bore keyway machined according to BS 46:Part 1; and
- American imperial bore keyway machined according to ASME B17.1.

SKF Grid, Gear and Rigid couplings are manufactured according to established industrial standard, which is acceptable throughout the world.

SKF Gear couplings are interchangeable, half to half, to industries standard using AGMA bolt pattern.

Every coupling is protected by a specific treatment, which depends on the material or type of packaging: (1) phosphate coating, (2) blackening, (3) spray painting or (4) anti-corrosion oil.

#### Main materials used in couplings

|                   |                                                                                                                             |
|-------------------|-----------------------------------------------------------------------------------------------------------------------------|
| SKF Flex coupling | Flange in grey cast iron HT250; tyre available in nitrile or chloroprene (FRAS); rubber and spacer in grey cast Iron HT250. |
| Chain coupling    | Flange in premium carbon steel no. 45 and cover available in aluminium and plastic.                                         |
| FRC coupling      | Flange in grey cast iron HT250 and elements available in nitrile or chloroprene (FRAS) rubber.                              |
| Jaw coupling      | Flange in grey cast iron HT250; spacer in aluminium and insert available in nitrile, urethane and Hytrel®.                  |
| Gear coupling     | Hub in steel SM45C equivalent to AISI 1045; grid member in spring steel SW-C; horizontal split cover in aluminium.          |
| Gear coupling     | Sleeve and hub in steel SM45C equivalent to AISI 1045.                                                                      |
| Rigid coupling    | All components manufactured in grey cast iron HT250.                                                                        |
| Universal Joint   | Premium carbon steel.                                                                                                       |

## Grid couplings

In high output (kW) and high torque applications where vibration, shock loads and misalignment occur, SKF grid couplings are an excellent choice.

The unique design of the grid and hub teeth enable these couplings to accommodate movement and stresses from all three planes, thereby reducing vibration levels by as much as 30%.

The tapered grid element is manufactured from a high strength alloy steel. The grid, which is the primary wear component of the coupling, is designed for quick and easy replacement. Unlike other couplings, the hubs and other components are not disturbed. This makes realignment unnecessary and further reduces downtime and maintenance costs.

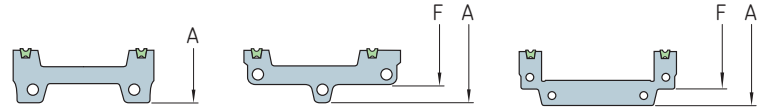
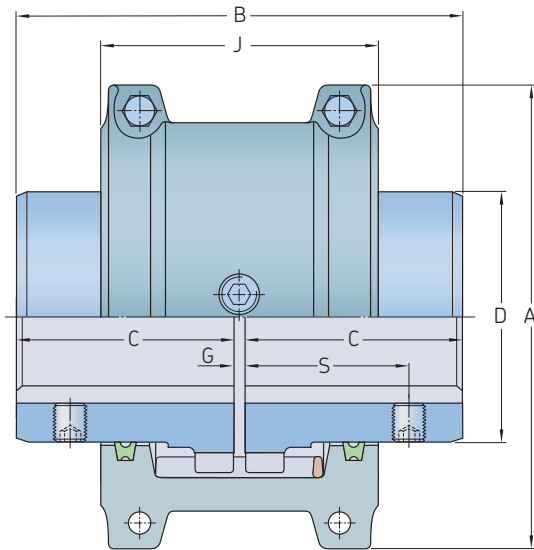
### Order data

| Coupling type                 | Hubs             |     | Cover         |                     | Grid |                  | Spacer hub set         |                |   |                           |   |
|-------------------------------|------------------|-----|---------------|---------------------|------|------------------|------------------------|----------------|---|---------------------------|---|
|                               | Solid bore       | Qty | Bored to size | Qty                 | Qty  | Qty              | (... = DBSE dimension) | Qty            |   |                           |   |
| <b>Horizontal split cover</b> | PHE 1050TGRSB    | 2   | or            | PHE 1050TG...MM     | 2    | PHE 1050TGHCOVER | 1                      | PHE 1050TGGRID | 1 | –                         | – |
| <b>Vertical split cover</b>   | PHE 1050TGRSB    | 2   | or            | PHE 1050TG...MM     | 2    | PHE 1050TGVCOVER | 1                      | PHE 1050TGGRID | 1 | –                         | – |
| <b>Full spacer</b>            | PHE 1050TGS-SHRB | 2   | or            | PHE 1050TGS-SH...MM | 2    | PHE 1050TGHCOVER | 1                      | PHE 1050TGGRID | 1 | PHE 1050TGFS-SPACERX...MM | 1 |
| <b>Half spacer</b>            | PHE 1050TGRSB    | 1   | –             | –                   | –    | PHE 1050TGHCOVER | 1                      | PHE 1050TGGRID | 1 | PHE 1050TGHS-SPACERX...MM | 1 |
|                               | PHE 1050TGS-SHRB | 1   | or            | PHE 1050TGS-SH...MM | 1    | –                | –                      | –              | – | –                         | – |

Each complete full or half spacer coupling consists of: 2 hubs, 1 grid, 1 cover and 1 spacer hub set. Each complete horizontal or vertical split cover coupling consists of: 2 hubs, 1 grid and 1 cover. For bored to size designations, add bore size. For example, PHE 1050TG25MM

## Grid couplings

### Horizontal split cover



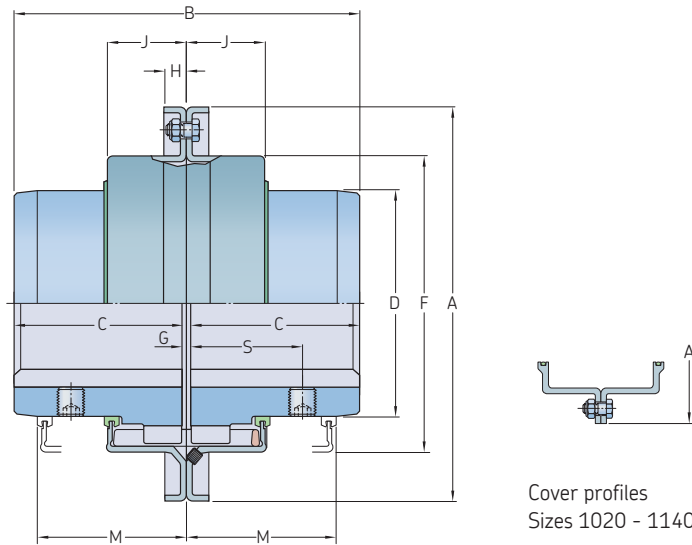
Cover profiles  
Sizes 1020 - 1140

Sizes 1150 - 1200

Sizes 1210-1220

| Size     | Power per<br>100 r/min | Rated<br>torque | Speed | Bore<br>diameter |      | Dimensions |       |       |       |       |       | Gap  |           |        | Lubricant<br>mass | Coupling<br>mass<br>without bore |         |
|----------|------------------------|-----------------|-------|------------------|------|------------|-------|-------|-------|-------|-------|------|-----------|--------|-------------------|----------------------------------|---------|
|          |                        |                 |       | Min.             | Max. | A          | B     | C     | D     | J     | F     | S    | G<br>Min. | Normal |                   |                                  | Max.    |
| –        | kW                     | Nm              | r/min | mm               | mm   | mm         | mm    | mm    | mm    | mm    | mm    | mm   | mm        | mm     | mm                | kg                               | kg      |
| 1020 TGH | 0,54                   | 52              | 4 500 | 12               | 30   | 101,6      | 98,2  | 47,5  | 39,7  | 66,0  | –     | 39,1 | 1,5       | 3      | 4,5               | 0,027                            | 1,9     |
| 1030 TGH | 1,60                   | 149             | 4 500 | 12               | 36   | 110,0      | 98,2  | 47,5  | 49,2  | 68,3  | –     | 39,1 | 1,5       | 3      | 4,5               | 0,040                            | 2,6     |
| 1040 TGH | 2,60                   | 249             | 4 500 | 12               | 44   | 117,5      | 104,6 | 50,8  | 57,2  | 70,0  | –     | 40,1 | 1,5       | 3      | 4,5               | 0,054                            | 3,4     |
| 1050 TGH | 4,60                   | 435             | 4 500 | 12               | 50   | 138,0      | 123,6 | 60,3  | 66,7  | 79,5  | –     | 44,7 | 1,5       | 3      | 4,5               | 0,068                            | 5,4     |
| 1060 TGH | 7,20                   | 684             | 4 500 | 19               | 57   | 150,5      | 130,0 | 63,5  | 76,2  | 92,0  | –     | 52,3 | 1,5       | 3      | 4,5               | 0,086                            | 7,3     |
| 1070 TGH | 10,40                  | 994             | 4 125 | 19               | 65   | 161,9      | 155,4 | 76,2  | 87,3  | 95,0  | –     | 53,8 | 1,5       | 3      | 4,5               | 0,113                            | 10,0    |
| 1080 TGH | 21,50                  | 2 050           | 3 600 | 27               | 79   | 194,0      | 180,8 | 88,9  | 104,8 | 116,0 | –     | 64,5 | 1,5       | 3      | 6,0               | 0,172                            | 18,0    |
| 1090 TGH | 39,00                  | 3 730           | 3 600 | 27               | 95   | 213,0      | 199,8 | 98,4  | 123,8 | 122,0 | –     | 71,6 | 1,5       | 3      | 6,0               | 0,254                            | 25,0    |
| 1100 TGH | 65,70                  | 6 280           | 2 440 | 41               | 107  | 250,0      | 246,2 | 120,6 | 142,1 | 155,5 | –     | –    | 1,5       | 5      | 9,5               | 0,426                            | 42,0    |
| 1110 TGH | 97,60                  | 9 320           | 2 250 | 41               | 117  | 270,0      | 259,0 | 127,0 | 160,3 | 161,5 | –     | –    | 1,5       | 5      | 9,5               | 0,508                            | 54,0    |
| 1120 TGH | 143,00                 | 13 700          | 2 025 | 60               | 136  | 308,0      | 304,4 | 149,2 | 179,4 | 191,5 | –     | –    | 1,5       | 6      | 12,5              | 0,735                            | 81,0    |
| 1130 TGH | 208,00                 | 19 900          | 1 800 | 66               | 165  | 346,0      | 329,8 | 161,9 | 217,5 | 195,0 | –     | –    | 1,5       | 6      | 12,5              | 0,907                            | 121,0   |
| 1140 TGH | 299,00                 | 28 600          | 1 650 | 66               | 184  | 384,0      | 374,4 | 184,2 | 254,0 | 201,0 | –     | –    | 1,5       | 6      | 12,5              | 1,130                            | 178,0   |
| 1150 TGH | 416,00                 | 39 800          | 1 500 | 108              | 203  | 453,1      | 371,8 | 182,9 | 269,2 | 271,3 | 391,2 | –    | 1,5       | 6      | 12,5              | 1,950                            | 234,0   |
| 1160 TGH | 586,00                 | 55 900          | 1 350 | 120              | 228  | 501,4      | 402,2 | 198,1 | 304,8 | 278,9 | 436,9 | –    | 1,5       | 6      | 12,5              | 2,810                            | 317,0   |
| 1170 TGH | 781,00                 | 74 600          | 1 225 | 133              | 279  | 566,4      | 437,8 | 215,9 | 355,6 | 304,3 | 487,2 | –    | 1,5       | 6      | 12,5              | 3,490                            | 448,0   |
| 1180 TGH | 1 080,00               | 103 000         | 1 100 | 152              | 311  | 629,9      | 483,6 | 238,8 | 393,7 | 321,1 | 554,7 | –    | 1,5       | 6      | 12,5              | 3,760                            | 619,0   |
| 1190 TGH | 1 430,00               | 137 000         | 1 050 | 152              | 339  | 675,6      | 524,2 | 259,1 | 436,9 | 325,1 | 607,8 | –    | 1,5       | 6      | 12,5              | 4,400                            | 776,0   |
| 1200 TGH | 1 950,00               | 186 000         | 900   | 177              | 361  | 756,9      | 564,8 | 279,4 | 497,8 | 355,6 | 660,4 | –    | 1,5       | 6      | 12,5              | 5,620                            | 1 057,0 |
| 1210 TGH | 2 611,00               | 249 000         | 820   | 177              | 390  | 844,5      | 622,3 | 304,8 | 533,4 | 431,8 | 750,8 | –    | 1,5       | 6      | 12,7              | 10,500                           | 1 425,0 |
| 1220 TGH | 3 523,00               | 336 000         | 730   | 203              | 420  | 920,7      | 662,9 | 325,1 | 571,5 | 490,2 | 822,2 | –    | 1,5       | 6      | 12,7              | 16,100                           | 1 785,0 |

**Grid couplings**  
Vertical split cover

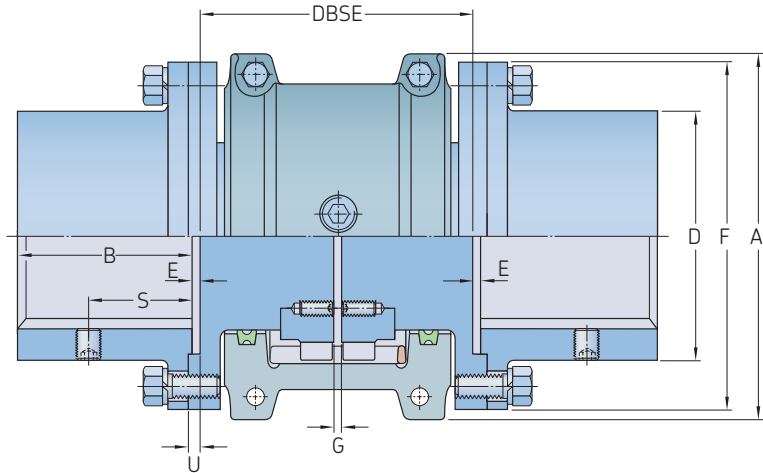


Cover profiles  
Sizes 1020 - 1140

| Size            | Power per<br>100 r/min | Rated<br>torque | Speed | Bore<br>diameter |      | Dimensions |       |       |       |       |      |       |       |      |           | Gap    |      |       | Lubricant<br>weight | Coupling<br>weight<br>without bore |
|-----------------|------------------------|-----------------|-------|------------------|------|------------|-------|-------|-------|-------|------|-------|-------|------|-----------|--------|------|-------|---------------------|------------------------------------|
|                 |                        |                 |       | Max.             | Min. | A          | B     | C     | D     | F     | H    | J     | M     | S    | G<br>Min. | Normal | Max. |       |                     |                                    |
|                 | kW                     | Nm              | r/min | mm               |      | mm         |       |       |       |       |      |       |       |      |           | mm     |      |       | kg                  |                                    |
| <b>1020 TGV</b> | 0,54                   | 52              | 6 000 | 12               | 30   | 111,1      | 98,0  | 47,5  | 39,7  | 64,3  | 9,7  | 24,2  | 47,8  | 39,1 | 1,5       | 3      | 4,5  | 0,027 | 2,0                 |                                    |
| <b>1030 TGV</b> | 1,60                   | 149             | 6 000 | 12               | 36   | 120,7      | 98,0  | 47,5  | 49,2  | 73,8  | 9,7  | 25,0  | 47,8  | 39,1 | 1,5       | 3      | 4,5  | 0,040 | 2,6                 |                                    |
| <b>1040 TGV</b> | 2,60                   | 249             | 6 000 | 12               | 44   | 128,5      | 104,6 | 50,8  | 57,2  | 81,8  | 9,7  | 25,7  | 50,8  | 40,1 | 1,5       | 3      | 4,5  | 0,054 | 3,4                 |                                    |
| <b>1050 TGV</b> | 4,60                   | 435             | 6 000 | 12               | 50   | 147,6      | 123,6 | 60,3  | 66,7  | 97,6  | 11,9 | 31,2  | 60,5  | 44,7 | 1,5       | 3      | 4,5  | 0,068 | 5,4                 |                                    |
| <b>1060 TGV</b> | 7,20                   | 684             | 6 000 | 19               | 57   | 162,0      | 130,0 | 63,5  | 76,2  | 111,1 | 12,7 | 32,2  | 63,5  | 52,3 | 1,5       | 3      | 4,5  | 0,086 | 7,3                 |                                    |
| <b>1070 TGV</b> | 10,40                  | 994             | 5 500 | 19               | 65   | 173,0      | 155,4 | 76,2  | 87,3  | 122,3 | 12,7 | 33,7  | 66,5  | 53,8 | 1,5       | 3      | 4,5  | 0,113 | 10,0                |                                    |
| <b>1080 TGV</b> | 21,50                  | 2 050           | 4 750 | 27               | 79   | 200,0      | 180,8 | 88,9  | 104,8 | 149,2 | 12,7 | 44,2  | 88,9  | 64,5 | 1,5       | 3      | 6,0  | 0,172 | 18,0                |                                    |
| <b>1090 TGV</b> | 39,00                  | 3 730           | 4 000 | 27               | 95   | 231,8      | 199,8 | 98,4  | 123,8 | 168,3 | 12,7 | 47,7  | 95,2  | 71,6 | 1,5       | 3      | 6,0  | 0,254 | 25,0                |                                    |
| <b>1100 TGV</b> | 65,70                  | 6 280           | 3 250 | 41               | 107  | 266,7      | 245,7 | 120,6 | 142,1 | 198,0 | 15,7 | 60,0  | 120,7 | -    | 1,5       | 5      | 9,5  | 0,426 | 42,0                |                                    |
| <b>1110 TGV</b> | 97,60                  | 9 320           | 3 000 | 41               | 117  | 285,8      | 258,5 | 127,0 | 160,3 | 216,3 | 16,0 | 64,2  | 124,0 | -    | 1,5       | 5      | 9,5  | 0,508 | 54,0                |                                    |
| <b>1120 TGV</b> | 143,00                 | 13 700          | 2 700 | 60               | 136  | 319,0      | 304,4 | 149,2 | 179,4 | 245,5 | 17,5 | 73,4  | 142,7 | -    | 1,5       | 6      | 12,5 | 0,735 | 81,0                |                                    |
| <b>1130 TGV</b> | 208,00                 | 19 900          | 2 400 | 66               | 165  | 377,8      | 329,8 | 161,9 | 217,5 | 283,8 | 20,6 | 75,1  | 146,0 | -    | 1,5       | 6      | 12,5 | 0,907 | 122,0               |                                    |
| <b>1140 TGV</b> | 299,00                 | 28 600          | 2 200 | 66               | 184  | 416,0      | 371,6 | 184,2 | 254,0 | 321,9 | 20,6 | 78,2  | 155,4 | -    | 1,5       | 6      | 12,5 | 1,130 | 180,0               |                                    |
| <b>1150 TGV</b> | 416,00                 | 39 800          | 2 000 | 108              | 203  | 476,3      | 371,8 | 182,9 | 269,2 | 374,4 | 19,3 | 106,9 | 203,2 | -    | 1,5       | 6      | 12,5 | 1,950 | 230,0               |                                    |
| <b>1160 TGV</b> | 586,00                 | 55 900          | 1 750 | 120              | 228  | 533,4      | 402,2 | 198,1 | 304,8 | 423,9 | 30,0 | 114,3 | 215,9 | -    | 1,5       | 6      | 12,5 | 2,810 | 321,0               |                                    |
| <b>1170 TGV</b> | 781,00                 | 74 600          | 1 600 | 133              | 279  | 584,2      | 437,8 | 215,9 | 355,6 | 474,7 | 30,0 | 119,4 | 226,1 | -    | 1,5       | 6      | 12,5 | 3,490 | 448,0               |                                    |
| <b>1180 TGV</b> | 1 080,00               | 103 000         | 1 400 | 152              | 311  | 630,0      | 483,6 | 238,8 | 393,7 | -     | -    | 130,0 | 265,0 | -    | 1,5       | 6      | 12,5 | 3,760 | 591,0               |                                    |
| <b>1190 TGV</b> | 1 430,00               | 137 000         | 1 300 | 152              | 339  | 685,0      | 524,2 | 259,1 | 436,9 | -     | -    | 135,0 | 275,0 | -    | 1,5       | 6      | 12,5 | 4,400 | 761,0               |                                    |
| <b>1200 TGV</b> | 1 950,00               | 186 000         | 1 100 | 177              | 361  | 737,0      | 564,8 | 279,4 | 497,8 | -     | -    | 145,0 | 295,0 | -    | 1,5       | 6      | 12,5 | 5,620 | 1 021,0             |                                    |

# Grid couplings

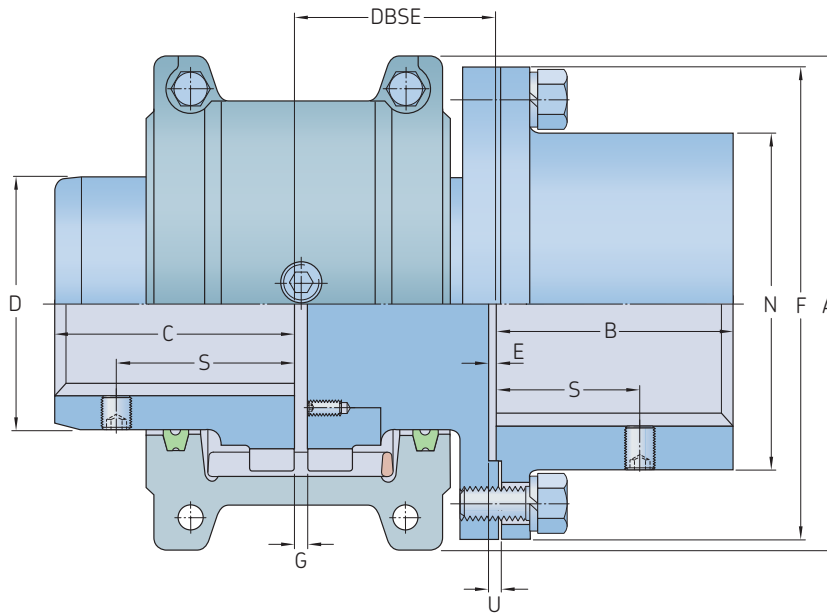
## Full spacer



| Size      | Power per 100 r/min<br>kW | Rated torque<br>Nm | Speed<br>r/min | Bore diameter<br>mm |      | Dimensions<br>mm |     |              |      |     |     |     |      |     |           | Gap<br>mm |    | Flange bolts<br>Normal Qty | Lubricant weight<br>kg | Coupling weight without bore and min. BE |
|-----------|---------------------------|--------------------|----------------|---------------------|------|------------------|-----|--------------|------|-----|-----|-----|------|-----|-----------|-----------|----|----------------------------|------------------------|------------------------------------------|
|           |                           |                    |                | Max.                | Min. | A                | B   | DBSE<br>Min. | Max. | D   | E   | F   | S    | U   | G<br>Min. |           |    |                            |                        |                                          |
| 1020 TGFS | 0,54                      | 52                 | 3 600          | 12                  | 35   | 101,6            | 35  | 89           | 203  | 52  | 0,8 | 86  | 27,4 | 1,8 | 1,5       | 5,0       | 4  | 0,027                      | 3,9                    |                                          |
| 1030 TGFS | 1,60                      | 149                | 3 600          | 12                  | 43   | 110,0            | 41  | 89           | 216  | 59  | 0,8 | 94  | 31,5 | 1,8 | 1,5       | 5,0       | 8  | 0,040                      | 5,2                    |                                          |
| 1040 TGFS | 2,60                      | 249                | 3 600          | 12                  | 56   | 117,5            | 54  | 89           | 216  | 78  | 0,8 | 113 | 27,4 | 1,8 | 1,5       | 5,0       | 8  | 0,054                      | 8,4                    |                                          |
| 1050 TGFS | 4,60                      | 435                | 3 600          | 12                  | 67   | 138,0            | 60  | 112          | 216  | 87  | 0,8 | 126 | 40,6 | 1,8 | 1,5       | 5,0       | 8  | 0,068                      | 12,8                   |                                          |
| 1060 TGFS | 7,20                      | 684                | 3 600          | 19                  | 80   | 150,5            | 73  | 127          | 330  | 103 | 1,8 | 145 | 43,2 | 2,8 | 1,5       | 5,0       | 8  | 0,086                      | 20,5                   |                                          |
| 1070 TGFS | 10,40                     | 994                | 3 600          | 19                  | 85   | 161,9            | 79  | 127          | 330  | 109 | 1,8 | 153 | 46,7 | 2,8 | 1,5       | 5,0       | 12 | 0,113                      | 24,8                   |                                          |
| 1080 TGFS | 21,50                     | 2 050              | 3 600          | 27                  | 95   | 194,0            | 89  | 184          | 406  | 122 | 1,8 | 178 | 49,8 | 2,8 | 1,5       | 5,0       | 12 | 0,172                      | 40,0                   |                                          |
| 1090 TGFS | 39,00                     | 3 730              | 3 600          | 27                  | 110  | 213,0            | 102 | 184          | 406  | 142 | 1,8 | 210 | 56,9 | 2,8 | 1,5       | 5,0       | 12 | 0,254                      | 60,0                   |                                          |
| 1100 TGFS | 65,70                     | 6 280              | 2 440          | 41                  | 130  | 250,0            | 90  | 203          | 406  | 171 | 1,6 | 251 | -    | 3,2 | 1,5       | 6,5       | 12 | 0,426                      | 90,2                   |                                          |
| 1110 TGFS | 97,60                     | 9 320              | 2 250          | 41                  | 150  | 270,0            | 104 | 210          | 406  | 196 | 1,6 | 277 | -    | 3,2 | 1,5       | 6,5       | 12 | 0,508                      | 119,0                  |                                          |
| 1120 TGFS | 143,00                    | 13 700             | 2 025          | 60                  | 170  | 308,0            | 119 | 246          | 406  | 225 | 1,6 | 319 | -    | 4,0 | 1,5       | 9,5       | 12 | 0,735                      | 178,0                  |                                          |
| 1130 TGFS | 208,00                    | 19 900             | 1 800          | 66                  | 190  | 346,0            | 135 | 257          | 406  | 238 | 1,6 | 346 | -    | 4,0 | 1,5       | 9,5       | 12 | 0,907                      | 237,0                  |                                          |
| 1140 TGFS | 299,00                    | 28 600             | 1 650          | 66                  | 210  | 384,0            | 152 | 267          | 406  | 266 | 1,6 | 386 | -    | 4,0 | 1,5       | 9,5       | 12 | 1,130                      | 327,0                  |                                          |
| 1150 TGFS | 416,00                    | 39 800             | 1 500          | 108                 | 270  | 453,1            | 173 | 345          | 371  | 334 | 5,1 | 425 | -    | -   | 1,5       | 9,5       | 14 | 1,950                      | 462,0                  |                                          |
| 1160 TGFS | 586,00                    | 55 900             | 1 350          | 120                 | 290  | 501,4            | 186 | 356          | 406  | 366 | 6,6 | 457 | -    | -   | 1,5       | 9,5       | 14 | 2,810                      | 566,0                  |                                          |
| 1170 TGFS | 781,00                    | 74 600             | 1 225          | 133                 | 340  | 566,4            | 220 | 384          | 445  | 425 | 8,4 | 527 | -    | -   | 1,5       | 9,5       | 16 | 3,490                      | 856,0                  |                                          |
| 1180 TGFS | 1 080,00                  | 103 000            | 1 100          | 133                 | 340  | 629,9            | 249 | 400          | 490  | 451 | 5,1 | 591 | -    | 8,1 | 1,5       | 9,5       | 16 | 3,760                      | 1 135,0                |                                          |
| 1190 TGFS | 1 430,00                  | 137 000            | 1 050          | 152                 | 380  | 675,6            | 276 | 411          | 530  | 508 | 5,1 | 660 | -    | 8,1 | 1,5       | 9,5       | 18 | 4,400                      | 1 525,0                |                                          |
| 1200 TGFS | 1 950,00                  | 186 000            | 900            | 177                 | 400  | 756,9            | 305 | 445          | 575  | 530 | 6,1 | 711 | -    | 9,1 | 1,5       | 9,5       | 18 | 5,620                      | 1 910,0                |                                          |

# Grid couplings

## Half spacer



| Size             | Power per 100 r/min | Rated torque | Speed | Bore diameter |      | Shaft hub |       | Dimensions |       |       |     |           |      |     | Gap |      |             | Flange bolts | Lubricant weight | Coupling weight without bore |         |       |        |
|------------------|---------------------|--------------|-------|---------------|------|-----------|-------|------------|-------|-------|-----|-----------|------|-----|-----|------|-------------|--------------|------------------|------------------------------|---------|-------|--------|
|                  |                     |              |       | Max.          | Min. | Max.      | Max.  | A          | B     | C     | D   | DBSE Min. | Max. | N   | E   | F    | Shaft hub S |              |                  |                              | T hub S | U     | G Min. |
| -                | kW                  | Nm           | r/min | mm            |      | mm        |       |            |       |       |     |           | mm   |     |     |      | kg          |              |                  |                              |         |       |        |
| <b>1020 TGHS</b> | 0,54                | 52           | 3 600 | 12            | 30   | 35        | 101,6 | 35         | 47,5  | 39,7  | 45  | 102       | 52   | 0,8 | 86  | 27,4 | 39,1        | 1,8          | 1,5              | 3                            | 4       | 0,027 | 2,9    |
| <b>1030 TGHS</b> | 1,60                | 149          | 3 600 | 12            | 36   | 43        | 110,0 | 41         | 47,5  | 49,2  | 45  | 109       | 59   | 0,8 | 94  | 31,5 | 39,1        | 1,8          | 1,5              | 3                            | 8       | 0,040 | 3,9    |
| <b>1040 TGHS</b> | 2,60                | 249          | 3 600 | 12            | 44   | 56        | 117,5 | 54         | 50,8  | 57,2  | 45  | 109       | 78   | 0,8 | 113 | 27,4 | 40,1        | 1,8          | 1,5              | 3                            | 8       | 0,054 | 5,9    |
| <b>1050 TGHS</b> | 4,60                | 435          | 3 600 | 12            | 50   | 67        | 138,0 | 60         | 60,3  | 66,7  | 57  | 109       | 87   | 0,8 | 126 | 40,6 | 44,7        | 1,8          | 1,5              | 3                            | 8       | 0,068 | 9,1    |
| <b>1060 TGHS</b> | 7,20                | 684          | 3 600 | 19            | 57   | 80        | 150,5 | 73         | 63,5  | 76,2  | 64  | 166       | 103  | 1,8 | 145 | 43,2 | 52,3        | 2,8          | 1,5              | 3                            | 8       | 0,086 | 14,0   |
| <b>1070 TGHS</b> | 10,40               | 994          | 3 600 | 19            | 65   | 85        | 161,9 | 79         | 76,2  | 87,3  | 64  | 166       | 109  | 1,8 | 153 | 46,7 | 53,8        | 2,8          | 1,5              | 3                            | 12      | 0,113 | 17,6   |
| <b>1080 TGHS</b> | 21,50               | 2 050        | 3 600 | 27            | 79   | 95        | 194,0 | 89         | 88,9  | 104,8 | 93  | 204       | 122  | 1,8 | 178 | 49,8 | 64,5        | 2,8          | 1,5              | 3                            | 12      | 0,172 | 29,0   |
| <b>1090 TGHS</b> | 39,00               | 3 730        | 3 600 | 27            | 95   | 110       | 213,0 | 102        | 98,4  | 123,8 | 93  | 204       | 142  | 1,8 | 210 | 56,9 | 71,6        | 2,8          | 1,5              | 3                            | 12      | 0,254 | 42,8   |
| <b>1100 TGHS</b> | 65,70               | 6 280        | 2 440 | 41            | 107  | 130       | 250,0 | 90         | 120,6 | 142,1 | 103 | 205       | 171  | 1,6 | 251 | -    | 3,2         | 1,5          | 5                | 12                           | 0,426   | 66,0  |        |
| <b>1110 TGHS</b> | 97,60               | 9 320        | 2 250 | 41            | 117  | 150       | 270,0 | 104        | 127,0 | 160,3 | 106 | 205       | 196  | 1,6 | 277 | -    | -           | 3,2          | 1,5              | 5                            | 12      | 0,508 | 84,5   |
| <b>1120 TGHS</b> | 143,00              | 13 700       | 2 025 | 60            | 136  | 170       | 308,0 | 119        | 149,2 | 179,4 | 125 | 205       | 225  | 1,6 | 319 | -    | -           | 4,0          | 1,5              | 6                            | 12      | 0,735 | 129,0  |
| <b>1130 TGHS</b> | 208,00              | 19 900       | 1 800 | 66            | 165  | 190       | 346,0 | 135        | 161,9 | 217,5 | 130 | 205       | 238  | 1,6 | 346 | -    | -           | 4,0          | 1,5              | 6                            | 12      | 0,907 | 179,0  |
| <b>1140 TGHS</b> | 299,00              | 28 600       | 1 650 | 66            | 184  | 210       | 384,0 | 152        | 184,2 | 254,0 | 135 | 205       | 266  | 1,6 | 386 | -    | -           | 4,0          | 1,5              | 6                            | 12      | 1,130 | 252,0  |
| <b>1150 TGHS</b> | 416,00              | 39 800       | 1 500 | 108           | 203  | 270       | 453,1 | 173        | 182,9 | 269,2 | 175 | 187       | 334  | 5,1 | 425 | -    | -           | -            | 1,5              | 6                            | 14      | 1,950 | 348,0  |
| <b>1160 TGHS</b> | 586,00              | 55 900       | 1 350 | 120           | 228  | 290       | 501,4 | 186        | 198,1 | 304,8 | 180 | 205       | 366  | 6,6 | 457 | -    | -           | -            | 1,5              | 6                            | 14      | 2,810 | 441,0  |
| <b>1170 TGHS</b> | 781,00              | 74 600       | 1 225 | 133           | 279  | 340       | 566,4 | 220        | 215,9 | 355,6 | 194 | 224       | 425  | 8,4 | 527 | -    | -           | -            | 1,5              | 6                            | 16      | 3,490 | 652,0  |
| <b>1180 TGHS</b> | 1 080,00            | 103 000      | 1 100 | 133           | 311  | 340       | 629,9 | 249        | 238,8 | 393,7 | 202 | 247       | 451  | 5,1 | 591 | -    | -           | 8,1          | 1,5              | 6                            | 16      | 3,760 | 877,0  |
| <b>1190 TGHS</b> | 1 430,00            | 137 000      | 1 050 | 152           | 339  | 380       | 675,6 | 276        | 259,1 | 436,9 | 207 | 267       | 508  | 5,1 | 660 | -    | -           | 8,1          | 1,5              | 6                            | 18      | 4,400 | 1150,0 |
| <b>1200 TGHS</b> | 1 950,00            | 186 000      | 900   | 177           | 361  | 400       | 756,9 | 305        | 279,4 | 497,8 | 224 | 289       | 530  | 6,1 | 711 | -    | -           | 9,1          | 1,5              | 6                            | 18      | 5,620 | 1484,0 |

## Gear couplings

Very high-torque ratings, along with unparalleled bore capacities, give this coupling a great advantage over other types of couplings. SKF gear couplings are rated up to 555 000 Nm with a maximum bore of 495 mm. This is a heavy duty coupling with incredible design flexibility, making it an economical choice for many applications.

The unique design of the gear couplings tooth crowning dramatically reduces backlash and radial clearance. The hub bore capacities are the largest in the industry allowing for low cost and long service life.

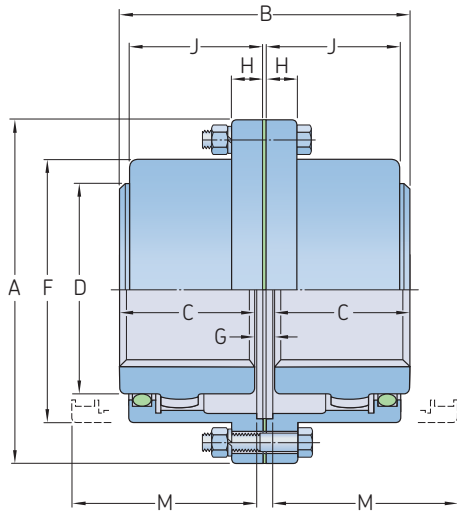
### Order data

| Coupling type                               | Hubs          | Qty | Cover          | Qty | Assembly kit | Qty | Spacer/floating shaft and kits<br>... = DBSE dimension | Qty |
|---------------------------------------------|---------------|-----|----------------|-----|--------------|-----|--------------------------------------------------------|-----|
| <b>Double engagement</b>                    | PHE 50GCRSB   | 2   | PHE 50GCCOVER  | 2   | PHE 50GCKIT  | 1   | –                                                      | –   |
| <b>Size 80 and above</b>                    | PHE 80GCRSB   | 2   | PHE 80GCMCOVER | 1   | PHE 80GCKIT  | 1   | –                                                      | –   |
|                                             | –             | –   | PHE 80GCFCOVER | 1   | –            | –   | –                                                      | –   |
| <b>Single engagement</b>                    | PHE 50GCSERSB | 1   | PHE 50GCCOVER  | 1   | PHE 50GCKIT  | 1   | –                                                      | –   |
|                                             | PHE 50GCRSB   | 1   | –              | –   | –            | –   | –                                                      | –   |
| <b>Size 80 and above</b>                    | PHE 80GCSERSB | 1   | PHE 80GCMCOVER | 1   | PHE 80GCKIT  | 1   | –                                                      | –   |
|                                             | PHE 80GCRSB   | 1   | –              | –   | –            | –   | –                                                      | –   |
| <b>Double engagement spacer</b>             | PHE 50GCRSB   | 2   | PHE 50GCCOVER  | 2   | PHE 50GCKIT  | 2   | PHE 50GCPACER...MM                                     | 1   |
| <b>Double engagement slide type 1, 2, 3</b> |               |     |                |     |              |     |                                                        |     |
| <b>Type 1</b>                               | PHE 50GCRSB   | 2   | PHE 50GCSCOVER | 2   | PHE 50GCKIT  | 1   | PHE 50GCCPLATE                                         | 1   |
| <b>Type 2</b>                               | PHE 50GCT2RSB | 2   | PHE 50GCSCOVER | 2   | PHE 50GCKIT  | 1   | PHE 50GCCPLATE                                         | 1   |
| <b>Type 3</b>                               | PHE 50GCRSB   | 2   | PHE 50GCCCOVER | 2   | PHE 50GCKIT  | 1   | PHE 50GCCPLATE                                         | 1   |
|                                             | –             | –   | –              | –   | –            | –   | PHE 50GCT3DISC                                         | 2   |
| <b>Single engagement slide type 1 and 2</b> |               |     |                |     |              |     |                                                        |     |
| <b>Type 1</b>                               | PHE 50GCRSB   | 1   | PHE 50GCSCOVER | 1   | PHE 50GCKIT  | 1   | PHE 50GCCPLATE                                         | 1   |
|                                             | PHE 50GCSERSB | 1   | –              | –   | –            | –   | –                                                      | –   |
| <b>Type 2</b>                               | PHE 50GCT2RSB | 1   | PHE 50GCSCOVER | 1   | PHE 50GCKIT  | 1   | PHE 50GCCPLATE                                         | 1   |
|                                             | PHE 50GCSERSB | 1   | –              | –   | –            | –   | –                                                      | –   |
| <b>Single engagement floating shaft</b>     | PHE 50GCFERSB | 2   | PHE 50GCCOVER  | 2   | PHE 50GCKIT  | 2   | PHE 50GCFSHAFT .. MM                                   | 1   |
|                                             | PHE 50GCRSB   | 2   | –              | –   | –            | –   | PHE 50GCFSEDISC                                        | 2   |
| <b>Double engagement vertical</b>           | PHE 50GCVRSB  | 2   | PHE 50GCVCOVER | 2   | PHE 50GCKIT  | 1   | 50GCVCTRKIT                                            | 1   |
| <b>Single engagement vertical</b>           | PHE 50GCVRSB  | 1   | PHE 50GCVCOVER | 1   | PHE 50GCKIT  | 1   | 50GCVCTRKIT                                            | –   |
|                                             | PHE 50GCSERSB | 1   | –              | –   | –            | –   | –                                                      | –   |
| <b>Single engagement vertical floating</b>  | PHE 50GCVRSB  | 1   | PHE 50GCVCOVER | 1   | PHE 50GCKIT  | 2   | 50GCVCTRKIT                                            | 2   |
|                                             | PHE 50GCFERSB | 1   | –              | –   | –            | –   | –                                                      | –   |
|                                             | PHE 50GCVRSB  | 1   | PHE 50GCVCOVER | 1   | PHE 50GCKIT  | 2   | PHE 50GCFSHAFT .. MM                                   | 1   |
|                                             | PHE 50GCSERSB | 1   | –              | –   | –            | –   | –                                                      | –   |
| <b>Rigid flanged sleeve</b>                 | PHE 50GCRRSB  | 2   | –              | –   | PHE 50GCRKIT | 1   | –                                                      | –   |
| <b>Size 80 and above</b>                    | PHE 80GCRRSB  | 2   | –              | –   | PHE 80GCRKIT | 1   | PHE 80GCRRING                                          | 1   |

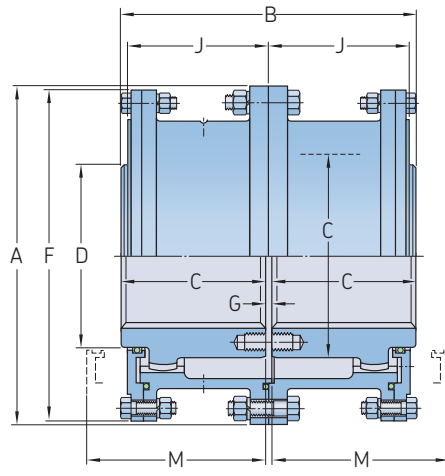
A complete gear coupling consists of: 2 hubs, 2 covers and 1 assembly kit.  
Coupling size 80 and above consists of: 2 hubs, 1 male cover, 1 female cover and 1 assembly kit.  
For bored to size designations, add bore size RSB. For example: PHE 50GCX500MM.  
For shrouded bolt covers, use cover number, e.g. PHE 50SGCCOVER and PHE 50SGCKIT for the assembly kit.  
The assembly kit includes oil seals, gasket, bolts and lock-nuts.

# Gear couplings

## Double engagement



Size 10 to 70



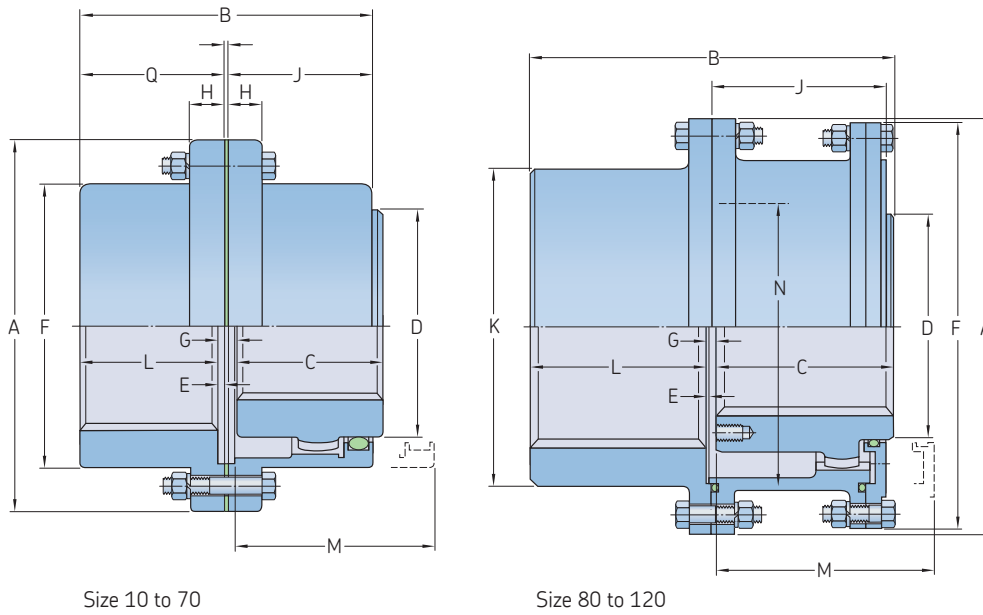
Size 80 to 120

| Size   | Power per<br>100 r/min | Rated<br>torque | Speed | Bore diameter |      | Dimensions |     |     |     |     |      |     |                 | Gap | Lubricant<br>mass | Coupling mass<br>without bore<br>and min. DBSE |
|--------|------------------------|-----------------|-------|---------------|------|------------|-----|-----|-----|-----|------|-----|-----------------|-----|-------------------|------------------------------------------------|
|        |                        |                 |       | Max.          | Min. | A          | B   | C   | D   | F   | H    | J   | M <sup>1)</sup> |     |                   |                                                |
| –      | kW                     | Nm              | r/min | mm            | mm   | mm         | mm  | mm  | mm  | mm  | mm   | mm  | mm              | mm  | kg                |                                                |
| 10 GC  | 11,9                   | 1 139           | 8 000 | 13            | 50   | 116        | 89  | 43  | 69  | 84  | 14,0 | 39  | 51              | 3   | 0,04              | 5                                              |
| 15 GC  | 24,6                   | 2 350           | 6 500 | 20            | 65   | 152        | 101 | 49  | 86  | 105 | 19,0 | 48  | 61              | 3   | 0,07              | 9                                              |
| 20 GC  | 44,7                   | 4 270           | 5 600 | 26            | 78   | 178        | 127 | 62  | 105 | 126 | 19,0 | 59  | 77              | 3   | 0,12              | 16                                             |
| 25 GC  | 78,3                   | 7 474           | 5 000 | 32            | 98   | 213        | 159 | 77  | 131 | 155 | 21,8 | 72  | 92              | 5   | 0,23              | 29                                             |
| 30 GC  | 127,0                  | 12 100          | 4 400 | 39            | 111  | 240        | 187 | 91  | 152 | 180 | 21,8 | 84  | 107             | 5   | 0,36              | 43                                             |
| 35 GC  | 194,0                  | 18 500          | 3 900 | 51            | 134  | 279        | 218 | 106 | 178 | 211 | 28,4 | 98  | 130             | 6   | 0,54              | 68                                             |
| 40 GC  | 321,0                  | 30 609          | 3 600 | 64            | 160  | 318        | 248 | 121 | 210 | 245 | 28,4 | 111 | 145             | 6   | 0,91              | 97                                             |
| 45 GC  | 440,0                  | 42 000          | 3 200 | 77            | 183  | 346        | 278 | 135 | 235 | 274 | 28,4 | 123 | 166             | 8   | 1,04              | 136                                            |
| 50 GC  | 593,0                  | 56 600          | 2 900 | 89            | 200  | 389        | 314 | 153 | 254 | 306 | 38,1 | 141 | 183             | 8   | 1,77              | 190                                            |
| 55 GC  | 775,0                  | 74 030          | 2 650 | 102           | 220  | 425        | 344 | 168 | 279 | 334 | 38,1 | 158 | 204             | 8   | 2,22              | 249                                            |
| 60 GC  | 947,0                  | 90 400          | 2 450 | 115           | 244  | 457        | 384 | 188 | 305 | 366 | 25,4 | 169 | 229             | 8   | 3,18              | 306                                            |
| 70 GC  | 1 420,0                | 135 000         | 2 150 | 127           | 289  | 527        | 452 | 221 | 343 | 425 | 28,4 | 196 | 267             | 10  | 4,35              | 485                                            |
| 80 GC  | 1 780,0                | 170 000         | 1 750 | 102           | 266  | 591        | 508 | 249 | 356 | 572 | –    | 243 | 300             | 10  | 9,53              | 703                                            |
| 90 GC  | 2 360,0                | 226 000         | 1 550 | 115           | 290  | 660        | 565 | 276 | 394 | 641 | –    | 265 | 327             | 13  | 12,25             | 984                                            |
| 100 GC | 3 250,0                | 310 000         | 1 450 | 127           | 320  | 711        | 623 | 305 | 445 | 699 | –    | 294 | 356             | 13  | 14,97             | 1 302                                          |
| 110 GC | 4 320,0                | 413 000         | 1 330 | 140           | 373  | 775        | 679 | 333 | 495 | 749 | –    | 322 | 384             | 13  | 17,69             | 1 678                                          |
| 120 GC | 5 810,0                | 555 000         | 1 200 | 153           | 400  | 838        | 719 | 353 | 546 | 826 | –    | 341 | 403             | 13  | 20,87             | 2 114                                          |

<sup>1)</sup> Minimum clearance required for aligning coupling.



**Gear couplings**  
Single engagement



Size 10 to 70

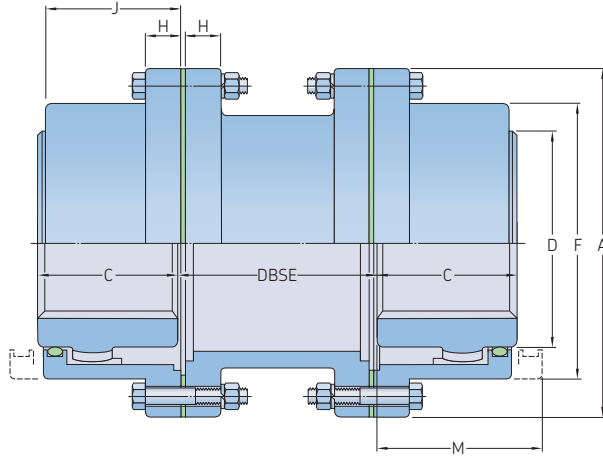
Size 80 to 120

| Size     | Power per 100 r/min | Rated torque | Speed      | Bore diameter |         |         | Dimensions |       |     |     |     |     |      |     |                 |     |                 |     |        | Gap   | Lubricant mass | Coupling mass without bore |
|----------|---------------------|--------------|------------|---------------|---------|---------|------------|-------|-----|-----|-----|-----|------|-----|-----------------|-----|-----------------|-----|--------|-------|----------------|----------------------------|
|          |                     |              |            | Flex hub      | Se hub  | Se hub  | A          | B     | C   | D   | E   | F   | H    | J   | K <sup>1)</sup> | L   | M <sup>2)</sup> | Q   | G Min. |       |                |                            |
|          | kW                  | Nm           | Max. r/min | Max. mm       | Max. mm | Min. mm | mm         |       |     |     |     |     |      |     |                 |     |                 |     |        | mm    | kg             |                            |
| 10 GCSE  | 11,9                | 1 139        | 8 000      | 48            | 60      | 13      | 116        | 87,0  | 43  | 69  | 2,5 | 84  | 14,0 | 39  | -               | 40  | 51              | 42  | 4      | 0,02  | 4,5            |                            |
| 15 GCSE  | 24,6                | 2 350        | 6 500      | 60            | 75      | 19      | 152        | 99,0  | 49  | 86  | 2,5 | 105 | 19,0 | 48  | -               | 46  | 61              | 49  | 4      | 0,04  | 9,1            |                            |
| 20 GCSE  | 44,7                | 4 270        | 5 600      | 73            | 92      | 25      | 178        | 124,0 | 62  | 105 | 2,5 | 126 | 19,0 | 59  | -               | 58  | 77              | 61  | 4      | 0,07  | 15,9           |                            |
| 25 GCSE  | 78,3                | 7 474        | 5 000      | 92            | 111     | 32      | 213        | 156,0 | 77  | 131 | 2,5 | 155 | 21,8 | 72  | -               | 74  | 92              | 76  | 5      | 0,12  | 27,2           |                            |
| 30 GCSE  | 127,0               | 12 100       | 4 400      | 105           | 130     | 38      | 240        | 184,0 | 91  | 152 | 2,5 | 180 | 21,8 | 84  | -               | 88  | 107             | 90  | 5      | 0,18  | 43,1           |                            |
| 35 GCSE  | 194,0               | 18 500       | 3 900      | 124           | 149     | 51      | 279        | 213,5 | 106 | 178 | 2,5 | 211 | 28,4 | 98  | -               | 102 | 130             | 105 | 6      | 0,27  | 61,2           |                            |
| 40 GCSE  | 321,0               | 30 609       | 3 600      | 146           | 171     | 64      | 318        | 243,0 | 121 | 210 | 4,1 | 245 | 28,4 | 111 | -               | 115 | 145             | 119 | 7      | 0,47  | 99,8           |                            |
| 45 GCSE  | 440,0               | 42 000       | 3 200      | 165           | 194     | 76      | 346        | 274,0 | 135 | 235 | 4,1 | 274 | 28,4 | 123 | -               | 131 | 166             | 135 | 8      | 0,57  | 136,1          |                            |
| 50 GCSE  | 593,0               | 56 600       | 2 900      | 178           | 222     | 89      | 389        | 309,0 | 153 | 254 | 5,1 | 306 | 38,1 | 141 | -               | 147 | 183             | 152 | 9      | 0,91  | 195,0          |                            |
| 55 GCSE  | 775,0               | 74 030       | 2 650      | 197           | 248     | 102     | 425        | 350,0 | 168 | 279 | 5,1 | 334 | 38,1 | 158 | -               | 173 | 204             | 178 | 9      | 1,13  | 263,1          |                            |
| 60 GCSE  | 947,0               | 90 400       | 2 450      | 222           | 267     | 114     | 457        | 384,0 | 188 | 305 | 6,6 | 366 | 25,4 | 169 | -               | 186 | 229             | 193 | 10     | 1,70  | 324,3          |                            |
| 70 GCSE  | 1 420,0             | 135 000      | 2 150      | 254           | 305     | 127     | 527        | 454,0 | 221 | 343 | 8,4 | 425 | 28,4 | 196 | -               | 220 | 267             | 229 | 13     | 2,27  | 508,0          |                            |
| 80 GCSE  | 1 780,0             | 170 000      | 1 750      | 279           | 343     | 102     | 591        | 511,0 | 249 | 356 | -   | 572 | -    | 243 | 450,8           | 249 | 300             | -   | 13     | 4,99  | 698,5          |                            |
| 90 GCSE  | 2 360,0             | 226 000      | 1 550      | 305           | 381     | 114     | 660        | 566,0 | 276 | 394 | -   | 641 | -    | 265 | 508,0           | 276 | 327             | -   | 14     | 6,35  | 984,3          |                            |
| 100 GCSE | 3 250,0             | 310 000      | 1 450      | 343           | 406     | 127     | 711        | 626,0 | 305 | 445 | -   | 699 | -    | 294 | 530,4           | 305 | 356             | -   | 16     | 7,71  | 1251,9         |                            |
| 110 GCSE | 4 320,0             | 413 000      | 1 330      | 387           | 445     | 140     | 775        | 682,0 | 333 | 495 | -   | 749 | -    | 322 | 584,2           | 333 | 384             | -   | 16     | 9,07  | 1637,5         |                            |
| 120 GCSE | 5 810,0             | 555 000      | 1 200      | 425           | 495     | 152     | 838        | 722,0 | 353 | 546 | -   | 826 | -    | 341 | 647,7           | 353 | 403             | -   | 16     | 10,89 | 2077,5         |                            |

<sup>1)</sup> May be an "as cast" version depending on coupling size and bore.  
<sup>2)</sup> Minimum clearance required for aligning coupling.

# Gear couplings

Double engagement · Spacer

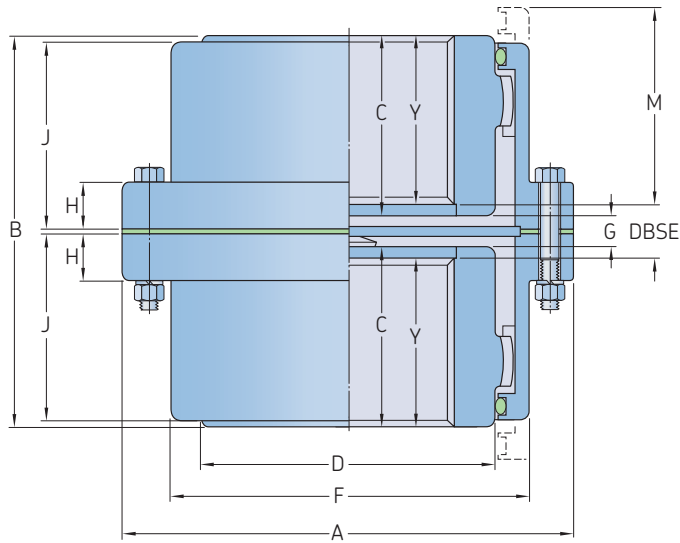


| Size   | Power per 100 r/min | Rated torque | Speed | DBSE |      | Bore diameter |      | Dimensions |     |     |     |      |     | Lubricant mass | Coupling mass without bore and min. bore |       |
|--------|---------------------|--------------|-------|------|------|---------------|------|------------|-----|-----|-----|------|-----|----------------|------------------------------------------|-------|
|        |                     |              |       | Max. | Min. | Max.          | Min. | Max.       | A   | C   | D   | F    | H   |                |                                          | J     |
| –      | kW                  | Nm           | r/min | mm   |      |               |      |            |     |     |     |      |     | kg             |                                          |       |
| 10 GCS | 11,9                | 1 139        | 7 000 | 83   | 311  | 13            | 48   | 116        | 43  | 69  | 84  | 14,0 | 39  | 51             | 0,04                                     | 6,8   |
| 15 GCS | 24,6                | 2 350        | 5 500 | 83   | 311  | 19            | 60   | 152        | 49  | 86  | 105 | 19,0 | 48  | 61             | 0,07                                     | 13,6  |
| 20 GCS | 44,7                | 4 270        | 4 600 | 83   | 311  | 25            | 73   | 178        | 62  | 105 | 126 | 19,0 | 59  | 77             | 0,12                                     | 20,4  |
| 25 GCS | 78,3                | 7 474        | 4 000 | 95   | 311  | 32            | 92   | 213        | 77  | 131 | 155 | 21,8 | 72  | 92             | 0,23                                     | 38,6  |
| 30 GCS | 127,0               | 12 100       | 3 600 | 95   | 311  | 38            | 105  | 240        | 91  | 152 | 180 | 21,8 | 84  | 107            | 0,36                                     | 54,4  |
| 35 GCS | 194,0               | 18 500       | 3 100 | 120  | 311  | 51            | 124  | 279        | 106 | 178 | 211 | 28,4 | 98  | 130            | 0,54                                     | 88,5  |
| 40 GCS | 321,0               | 30 609       | 2 800 | 120  | 311  | 64            | 146  | 318        | 121 | 210 | 245 | 28,4 | 111 | 145            | 0,91                                     | 122,5 |
| 45 GCS | 440,0               | 42 000       | 2 600 | 120  | 311  | 76            | 165  | 346        | 135 | 235 | 274 | 28,4 | 123 | 166            | 1,04                                     | 165,6 |
| 50 GCS | 593,0               | 56 600       | 2 400 | 146  | 311  | 89            | 178  | 389        | 153 | 254 | 306 | 38,1 | 141 | 183            | 1,77                                     | 238,1 |
| 55 GCS | 775,0               | 74 030       | 2 200 | 146  | 311  | 102           | 197  | 425        | 168 | 279 | 334 | 38,1 | 158 | 204            | 2,22                                     | 306,2 |
| 60 GCS | 947,0               | 90 400       | 2 100 | 146  | 311  | 114           | 222  | 457        | 188 | 305 | 366 | 25,4 | 169 | 229            | 3,18                                     | 358,3 |
| 70 GCS | 1 420,0             | 135 000      | 1 800 | 146  | 311  | 127           | 254  | 527        | 221 | 343 | 425 | 28,4 | 196 | 267            | 4,35                                     | 562,5 |

<sup>1)</sup> Minimum clearance required for aligning coupling.

## Gear couplings

Double engagement · Vertical

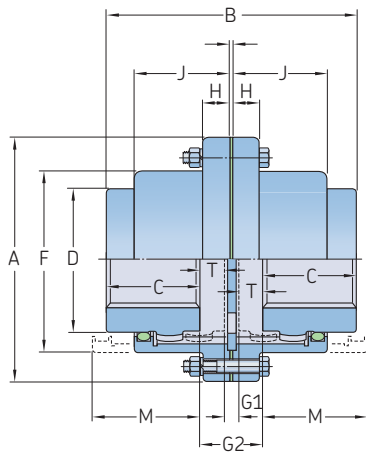


| Size          | Power per<br>100 r/min | Rated<br>torque | Speed | Bore diameter |      | Dimensions |     |     |     |     |      |     |                 |       |      | Gap | Lubricant<br>mass | Coupling mass<br>without bore |
|---------------|------------------------|-----------------|-------|---------------|------|------------|-----|-----|-----|-----|------|-----|-----------------|-------|------|-----|-------------------|-------------------------------|
|               |                        |                 |       | Max.          | Min. | A          | B   | C   | D   | F   | H    | J   | M <sup>1)</sup> | Y     | DBSE |     |                   |                               |
| –             | kW                     | Nm              | r/min | mm            | mm   | mm         |     |     |     |     |      |     |                 |       |      | mm  | kg                |                               |
| <b>10 GCV</b> | 11,9                   | 1 139           | 8 000 | 13            | 48   | 116        | 89  | 43  | 69  | 84  | 14,0 | 39  | 51              | 32,5  | 24   | 11  | 0,04              | 5                             |
| <b>15 GCV</b> | 24,6                   | 2 350           | 6 500 | 19            | 60   | 152        | 101 | 49  | 86  | 105 | 19,0 | 48  | 61              | 38,6  | 24   | 11  | 0,07              | 9                             |
| <b>20 GCV</b> | 44,7                   | 4 270           | 5 600 | 25            | 73   | 178        | 127 | 62  | 105 | 126 | 19,0 | 59  | 77              | 51,3  | 24   | 11  | 0,12              | 16                            |
| <b>25 GCV</b> | 78,3                   | 7 474           | 5 000 | 32            | 92   | 213        | 159 | 77  | 131 | 155 | 21,8 | 72  | 92              | 65,3  | 26   | 14  | 0,23              | 29                            |
| <b>30 GCV</b> | 127,0                  | 12 100          | 4 400 | 38            | 105  | 240        | 187 | 91  | 152 | 180 | 21,8 | 84  | 107             | 79,8  | 26   | 14  | 0,36              | 43                            |
| <b>35 GCV</b> | 194,0                  | 18 500          | 3 900 | 51            | 124  | 279        | 218 | 106 | 178 | 211 | 28,4 | 98  | 130             | 94,0  | 30   | 18  | 0,54              | 68                            |
| <b>40 GCV</b> | 321,0                  | 30 609          | 3 600 | 64            | 146  | 318        | 248 | 121 | 210 | 245 | 28,4 | 111 | 145             | 105,9 | 35   | 22  | 0,91              | 97                            |
| <b>45 GCV</b> | 440,0                  | 42 000          | 3 200 | 76            | 165  | 346        | 278 | 135 | 235 | 274 | 28,4 | 123 | 166             | 116,3 | 44   | 25  | 1,04              | 136                           |
| <b>50 GCV</b> | 593,0                  | 56 600          | 2 900 | 89            | 178  | 389        | 314 | 153 | 254 | 306 | 38,1 | 141 | 183             | 134,6 | 44   | 25  | 1,77              | 190                           |
| <b>55 GCV</b> | 775,0                  | 74 030          | 2 650 | 102           | 197  | 425        | 344 | 168 | 279 | 334 | 38,1 | 158 | 204             | 149,6 | 44   | 25  | 2,22              | 249                           |
| <b>60 GCV</b> | 947,0                  | 90 400          | 2 450 | 114           | 222  | 457        | 384 | 188 | 305 | 366 | 25,4 | 169 | 229             | 168,1 | 48   | 29  | 3,18              | 306                           |
| <b>70 GCV</b> | 1 420,0                | 135 000         | 2 150 | 127           | 254  | 527        | 452 | 221 | 343 | 425 | 28,4 | 196 | 267             | 194,8 | 61   | 35  | 4,35              | 485                           |

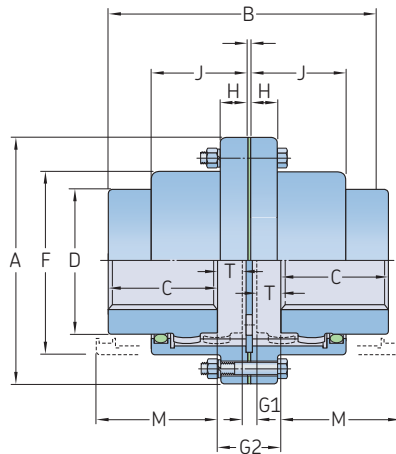
<sup>1)</sup> Minimum clearance required for aligning coupling.

# Gear couplings

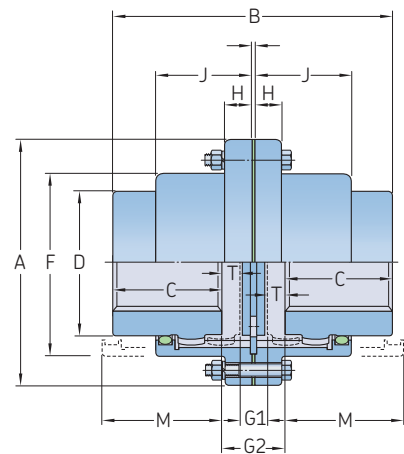
Double engagement · Slide



Type 1



Type 2



Type 3

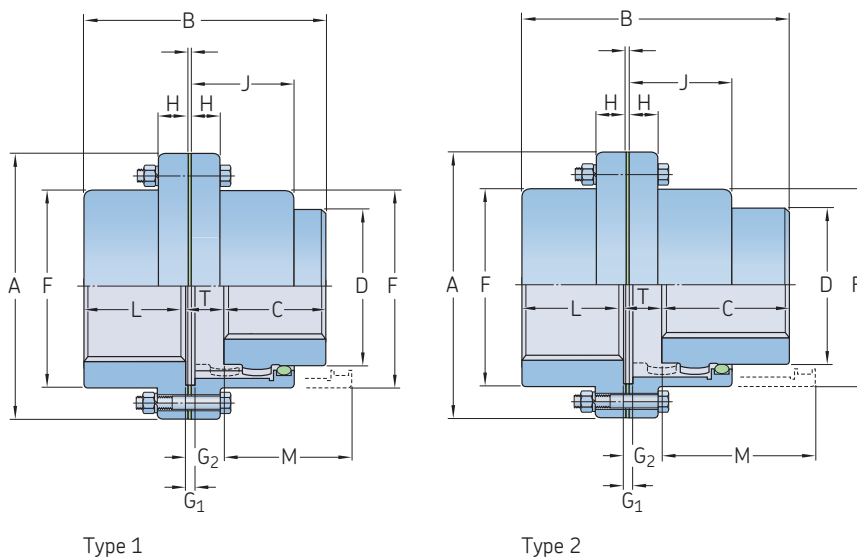
| Size    | Power per 100 r/min<br>kW | Rated torque<br>Nm | Speed<br>r/min | Dimensions            |      | A   | C   | D   | F   | H    | J   | Lubricant mass<br>kg | Coupling mass without bore |
|---------|---------------------------|--------------------|----------------|-----------------------|------|-----|-----|-----|-----|------|-----|----------------------|----------------------------|
|         |                           |                    |                | Bore diameter<br>Min. | Max. |     |     |     |     |      |     |                      |                            |
| –       |                           |                    | Max.           | mm                    | mm   | mm  |     |     |     |      |     | kg                   |                            |
| 10 GCSL | 11,9                      | 1 139              | 5 300          | 13                    | 48   | 116 | 43  | 69  | 84  | 14,0 | 39  | 0,02                 | 5                          |
| 15 GCSL | 24,6                      | 2 350              | 4 300          | 19                    | 60   | 152 | 49  | 86  | 105 | 19,0 | 48  | 0,04                 | 9                          |
| 20 GCSL | 44,7                      | 4 270              | 3 700          | 25                    | 73   | 178 | 62  | 105 | 126 | 19,0 | 59  | 0,06                 | 16                         |
| 25 GCSL | 78,3                      | 7 474              | 3 300          | 32                    | 92   | 213 | 77  | 131 | 155 | 21,8 | 72  | 0,11                 | 29                         |
| 30 GCSL | 127,0                     | 12 100             | 2 900          | 38                    | 105  | 240 | 91  | 152 | 180 | 21,8 | 84  | 0,18                 | 43                         |
| 35 GCSL | 194,0                     | 18 500             | 2 600          | 51                    | 124  | 279 | 106 | 178 | 211 | 28,4 | 98  | 0,27                 | 68                         |
| 40 GCSL | 321,0                     | 30 609             | 2 400          | 64                    | 146  | 318 | 121 | 210 | 245 | 28,4 | 111 | 0,45                 | 97                         |
| 45 GCSL | 440,0                     | 42 000             | 2 100          | 76                    | 165  | 346 | 135 | 235 | 274 | 28,4 | 123 | 0,51                 | 136                        |
| 50 GCSL | 593,0                     | 56 600             | 1 900          | 89                    | 178  | 389 | 153 | 254 | 306 | 38,1 | 141 | 0,91                 | 190                        |
| 55 GCSL | 775,0                     | 74 030             | 1 800          | 102                   | 197  | 425 | 168 | 279 | 334 | 38,1 | 158 | 1,13                 | 249                        |
| 60 GCSL | 947,0                     | 90 400             | 1 600          | 114                   | 222  | 457 | 188 | 305 | 366 | 25,4 | 169 | 1,19                 | 306                        |
| 70 GCSL | 1 420,0                   | 135 000            | 1 400          | 127                   | 254  | 527 | 221 | 343 | 425 | 28,4 | 196 | 2,18                 | 485                        |

| Size    | Type 1 |                 |             |       |                    |                | Type 2 |                 |             |       |                    |                | Type 3 |                 |             |       |                    |                |
|---------|--------|-----------------|-------------|-------|--------------------|----------------|--------|-----------------|-------------|-------|--------------------|----------------|--------|-----------------|-------------|-------|--------------------|----------------|
|         | B Max. | M <sup>1)</sup> | Half T Max. | Total | Gap G <sub>1</sub> | G <sub>2</sub> | B Max. | M <sup>1)</sup> | Half T Max. | Total | Gap G <sub>1</sub> | G <sub>2</sub> | B Max. | M <sup>1)</sup> | Half T Max. | Total | Gap G <sub>1</sub> | G <sub>2</sub> |
| –       | mm     |                 |             |       |                    |                | mm     |                 |             |       |                    |                | mm     |                 |             |       |                    |                |
| 10 GCSL | 96     | 54              | 13          | 26    | 8                  | 10             | 126    | 58              | 16          | 32    | 8                  | 40             | 96     | 54              | 2,0         | 4     | 6                  | 10             |
| 15 GCSL | 127    | 60              | 10          | 20    | 8                  | 29             | 152    | 69              | 23          | 46    | 8                  | 54             | 127    | 60              | 7,5         | 15    | 14                 | 29             |
| 20 GCSL | 151    | 77              | 9           | 18    | 8                  | 27             | 186    | 84              | 27          | 54    | 8                  | 62             | 151    | 77              | 10,0        | 20    | 7                  | 27             |
| 25 GCSL | 188    | 93              | 12          | 24    | 9                  | 34             | 231    | 102             | 34          | 68    | 9                  | 78             | 188    | 93              | 6,0         | 12    | 21                 | 34             |
| 30 GCSL | 227    | 108             | 18          | 36    | 9                  | 45             | 263    | 118             | 36          | 72    | 9                  | 81             | 227    | 108             | 11,5        | 23    | 22                 | 45             |
| 35 GCSL | 274    | 124             | 25          | 50    | 11                 | 61             | 313    | 135             | 45          | 90    | 11                 | 102            | 274    | 124             | 14,0        | 28    | 33                 | 61             |
| 40 GCSL | 320    | 138             | 32          | 64    | 15                 | 79             | 364    | 155             | 54          | 108   | 15                 | 121            | 320    | 138             | 16,0        | 32    | 47                 | 79             |
| 45 GCSL | 355    | 154             | 35          | 70    | 16                 | 86             | 406    | 163             | 60          | 120   | 16                 | 136            | 355    | 154             | 19,0        | 38    | 47                 | 86             |
| 50 GCSL | 408    | 175             | 42          | 82    | 18                 | 102            | 460    | 189             | 68          | 136   | 18                 | 153            | 408    | 175             | 20,5        | 41    | 61                 | 102            |
| 55 GCSL | 470    | 191             | 58          | 116   | 18                 | 134            | 510    | 221             | 78          | 156   | 18                 | 174            | 470    | 191             | 21,0        | 42    | 92                 | 134            |
| 60 GCSL | 504    | 212             | 53          | 424   | 21                 | 127            | 563    | 227             | 83          | 166   | 21                 | 187            | 504    | 212             | 24,5        | 49    | 78                 | 127            |
| 70 GCSL | 592    | 245             | 62          | 490   | 26                 | 150            | 669    | 235             | 99          | 198   | 26                 | 223            | 592    | 245             | 27,0        | 54    | 96                 | 150            |

<sup>1)</sup> Minimum clearance required for aligning coupling.

# Gear couplings

Single engagement · Slide



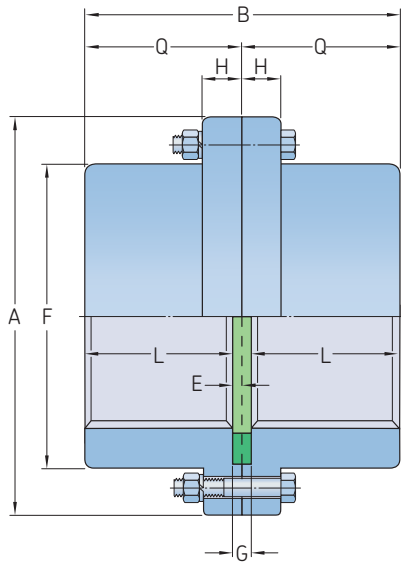
| Size    | Power per 100 r/min | Rated torque | Speed | Dimensions | Se hub | Dimensions    |          |     |     |     |      |     |     | Lubricant mass | Coupling mass without bore |    |
|---------|---------------------|--------------|-------|------------|--------|---------------|----------|-----|-----|-----|------|-----|-----|----------------|----------------------------|----|
|         |                     |              |       |            |        | Bore diameter | Flex hub | A   | C   | D   | F    | H   | J   |                |                            | L  |
|         |                     |              | Max.  | Max.       | Max.   | Min.          | mm       | mm  | mm  | mm  | mm   | mm  | mm  | mm             | kg                         | kg |
| 10 GCSL | 11,9                | 1 139        | 5 300 | 48         | 60     | 13            | 116      | 43  | 69  | 84  | 14,0 | 39  | 40  | 0,01           | 5                          |    |
| 15 GCSL | 24,6                | 2 350        | 4 300 | 60         | 75     | 19            | 152      | 49  | 86  | 105 | 19,0 | 48  | 46  | 0,02           | 9                          |    |
| 20 GCSL | 44,7                | 4 270        | 3 700 | 73         | 92     | 25            | 178      | 62  | 105 | 126 | 19,0 | 59  | 58  | 0,04           | 16                         |    |
| 25 GCSL | 78,3                | 7 474        | 3 300 | 92         | 111    | 32            | 213      | 77  | 131 | 155 | 21,8 | 72  | 74  | 0,06           | 29                         |    |
| 30 GCSL | 127,0               | 12 100       | 2 900 | 105        | 130    | 38            | 240      | 91  | 152 | 180 | 21,8 | 84  | 88  | 0,11           | 43                         |    |
| 35 GCSL | 194,0               | 18 500       | 2 600 | 124        | 149    | 51            | 279      | 106 | 178 | 211 | 28,4 | 98  | 102 | 0,18           | 68                         |    |
| 40 GCSL | 321,0               | 30 609       | 2 400 | 146        | 171    | 64            | 318      | 121 | 210 | 245 | 28,4 | 111 | 115 | 0,27           | 97                         |    |
| 45 GCSL | 440,0               | 42 000       | 2 100 | 165        | 194    | 76            | 346      | 135 | 235 | 274 | 28,4 | 123 | 131 | 0,34           | 136                        |    |
| 50 GCSL | 593,0               | 56 600       | 1 900 | 178        | 222    | 89            | 389      | 153 | 254 | 306 | 38,1 | 141 | 147 | 0,54           | 195                        |    |
| 55 GCSL | 775,0               | 74 030       | 1 800 | 197        | 248    | 102           | 425      | 168 | 279 | 334 | 38,1 | 158 | 173 | 0,73           | 263                        |    |
| 60 GCSL | 947,0               | 90 400       | 1 600 | 222        | 267    | 114           | 457      | 188 | 305 | 366 | 25,4 | 169 | 186 | 0,96           | 324                        |    |
| 70 GCSL | 1 420,0             | 135 000      | 1 400 | 254        | 305    | 127           | 527      | 221 | 343 | 425 | 28,4 | 196 | 220 | 1,36           | 510                        |    |

| Size    | Type 1 |                 |        |                    |                | Type 2 |                 |        |                    |                |
|---------|--------|-----------------|--------|--------------------|----------------|--------|-----------------|--------|--------------------|----------------|
|         | B Max. | M <sup>1)</sup> | T Max. | Gap G <sub>1</sub> | G <sub>2</sub> | B Max. | M <sup>1)</sup> | T Max. | Gap G <sub>1</sub> | G <sub>2</sub> |
|         | mm     |                 |        |                    |                | mm     |                 |        |                    |                |
| 10 GCSL | 90,0   | 54              | 3,6    | 4                  | 8              | 105    | 58              | 18,5   | 4                  | 23             |
| 15 GCSL | 112,0  | 60              | 12,7   | 4                  | 17             | 125    | 69              | 25,4   | 4                  | 30             |
| 20 GCSL | 136,0  | 77              | 11,7   | 4                  | 16             | 154    | 84              | 29,5   | 4                  | 34             |
| 25 GCSL | 170,0  | 93              | 14,5   | 5                  | 19             | 192    | 102             | 36,3   | 5                  | 41             |
| 30 GCSL | 204,0  | 108             | 20,1   | 5                  | 25             | 222    | 118             | 38,1   | 5                  | 43             |
| 35 GCSL | 241,0  | 124             | 27,2   | 6                  | 33             | 262    | 135             | 47,8   | 6                  | 53             |
| 40 GCSL | 279,0  | 138             | 36,3   | 7                  | 43             | 300    | 155             | 57,4   | 7                  | 65             |
| 45 GCSL | 315,0  | 154             | 38,9   | 8                  | 47             | 338    | 163             | 64,0   | 8                  | 72             |
| 50 GCSL | 356,0  | 175             | 47,0   | 9                  | 56             | 382    | 189             | 72,6   | 9                  | 81             |
| 55 GCSL | 412,5  | 191             | 63,0   | 9                  | 72             | 433    | 221             | 83,1   | 9                  | 92             |
| 60 GCSL | 445,0  | 212             | 59,7   | 10                 | 70             | 475    | 227             | 89,4   | 10                 | 100            |
| 70 GCSL | 524,0  | 245             | 70,4   | 13                 | 83             | 560    | 235             | 106,7  | 13                 | 119            |

<sup>1)</sup> Minimum clearance required for aligning coupling.

# Gear couplings

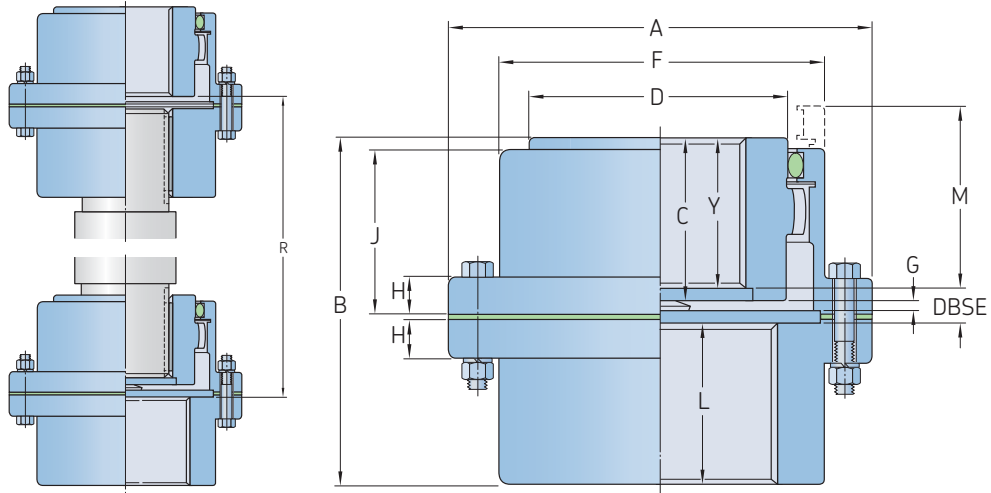
## Rigid flanged sleeve



| Size           | Power per<br>100 r/min | Rated<br>torque | Speed |      | Dimensions<br>Bore diameter |     |       | Gap |     |      |       |     |    | Coupling<br>mass<br>without bore |    |
|----------------|------------------------|-----------------|-------|------|-----------------------------|-----|-------|-----|-----|------|-------|-----|----|----------------------------------|----|
|                |                        |                 | Max.  | Min. | Max.                        | A   | B     | E   | F   | H    | L     | Q   | G  |                                  |    |
| –              | kW                     | Nm              | r/min | mm   | mm                          | mm  | mm    | mm  | mm  | mm   | mm    | mm  | mm | mm                               | kg |
| <b>10 GCR</b>  | 11,9                   | 1 139           | 8 000 | 13   | 60                          | 116 | 84,5  | 2,5 | 84  | 14,0 | 40,0  | 39  | 5  | 5                                |    |
| <b>15 GCR</b>  | 24,6                   | 2 350           | 6 500 | 19   | 75                          | 152 | 97,5  | 2,5 | 105 | 19,0 | 46,0  | 48  | 5  | 9                                |    |
| <b>20 GCR</b>  | 44,7                   | 4 270           | 5 600 | 25   | 92                          | 178 | 122,0 | 2,5 | 126 | 19,0 | 58,5  | 59  | 5  | 16                               |    |
| <b>25 GCR</b>  | 78,3                   | 7 474           | 5 000 | 32   | 111                         | 213 | 152,5 | 2,5 | 155 | 21,8 | 73,5  | 72  | 5  | 28                               |    |
| <b>30 GCR</b>  | 127,0                  | 12 100          | 4 400 | 38   | 130                         | 240 | 181,0 | 2,5 | 180 | 21,8 | 88,0  | 84  | 5  | 43                               |    |
| <b>35 GCR</b>  | 194,0                  | 18 500          | 3 900 | 51   | 149                         | 279 | 209,0 | 2,5 | 211 | 28,4 | 102,0 | 98  | 5  | 68                               |    |
| <b>40 GCR</b>  | 321,0                  | 30 609          | 3 600 | 64   | 171                         | 318 | 239,0 | 4,1 | 245 | 28,4 | 115,0 | 111 | 8  | 102                              |    |
| <b>45 GCR</b>  | 440,0                  | 42 000          | 3 200 | 76   | 194                         | 346 | 269,0 | 4,1 | 274 | 28,4 | 130,5 | 123 | 8  | 140                              |    |
| <b>50 GCR</b>  | 593,0                  | 56 600          | 2 900 | 89   | 222                         | 389 | 305,0 | 5,1 | 306 | 38,1 | 147,5 | 141 | 10 | 205                              |    |
| <b>55 GCR</b>  | 775,0                  | 74 030          | 2 650 | 102  | 248                         | 425 | 355,5 | 5,1 | 334 | 38,1 | 172,5 | 158 | 10 | 280                              |    |
| <b>60 GCR</b>  | 947,0                  | 90 400          | 2 450 | 114  | 267                         | 457 | 386,0 | 6,6 | 366 | 25,4 | 186,5 | 169 | 13 | 335                              |    |
| <b>70 GCR</b>  | 1 420,0                | 135 000         | 2 150 | 127  | 305                         | 527 | 457,0 | 8,4 | 425 | 28,4 | 220,0 | 196 | 17 | 536                              |    |
| <b>80 GCR</b>  | 1 780,0                | 170 000         | 1 750 | 102  | 343                         | 591 | 514,0 | 8,0 | 572 | 31,5 | 249,0 | 243 | 16 | 703                              |    |
| <b>90 GCR</b>  | 2 360,0                | 226 000         | 1 550 | 114  | 381                         | 660 | 568,0 | 8,0 | 641 | 38,0 | 276,0 | 265 | 16 | 984                              |    |
| <b>100 GCR</b> | 3 250,0                | 310 000         | 1 450 | 127  | 406                         | 711 | 629,0 | 9,7 | 699 | 44,2 | 305,0 | 294 | 19 | 1 210                            |    |
| <b>110 GCR</b> | 4 320,0                | 413 000         | 1 330 | 140  | 445                         | 775 | 686,0 | 9,7 | 749 | 50,8 | 333,0 | 322 | 19 | 1 610                            |    |
| <b>120 GCR</b> | 5 810,0                | 555 000         | 1 200 | 152  | 495                         | 838 | 724,0 | 9,7 | 826 | 53,8 | 353,0 | 341 | 19 | 2 114                            |    |

## Gear couplings

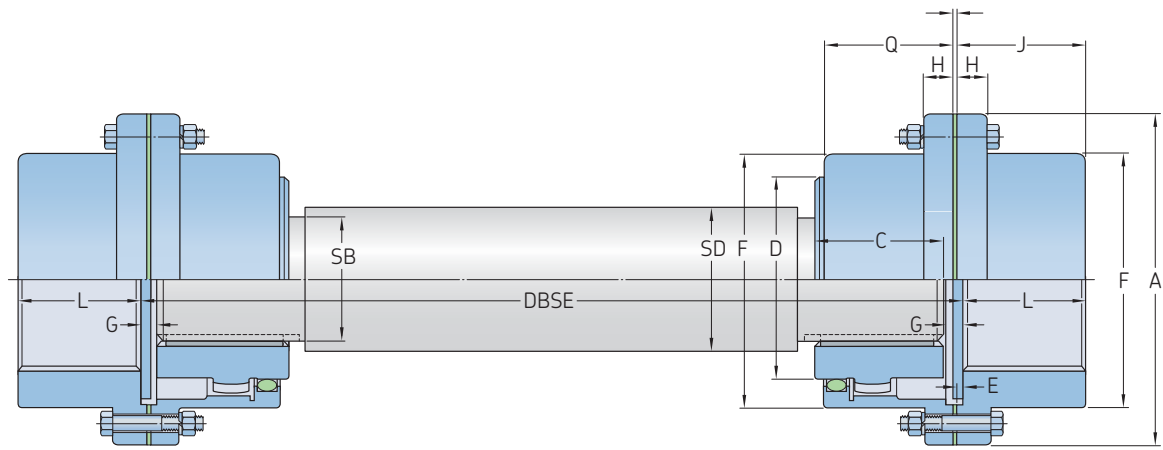
Single engagement · Vertical and floating shaft



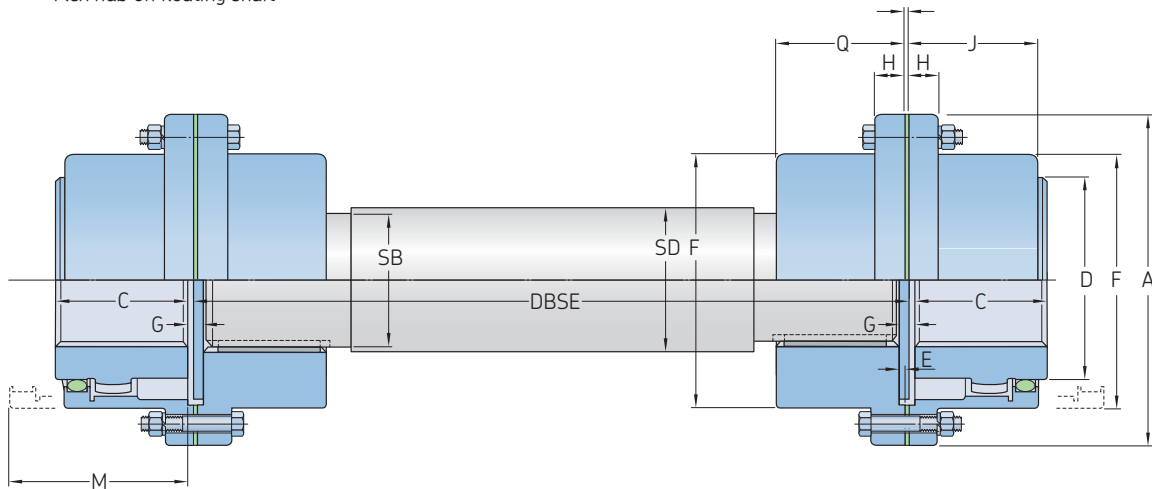
| Size   | Power per<br>100 r/min | Rated<br>torque | Speed | Bore diameter |        | Min. | Dimensions |       |     |     |     |      |     |     |     |     | Gap   | Lubricant<br>mass | Coupling<br>mass<br>without bore |      |       |
|--------|------------------------|-----------------|-------|---------------|--------|------|------------|-------|-----|-----|-----|------|-----|-----|-----|-----|-------|-------------------|----------------------------------|------|-------|
|        |                        |                 |       | Flex hub      | Se hub |      | A          | B     | C   | D   | F   | H    | J   | L   | M   | R   |       |                   |                                  | Y    | DBSE  |
|        | kW                     | Nm              | r/min | Max.          | Max.   |      | mm         |       |     |     |     |      |     |     |     |     | mm    | kg                |                                  |      |       |
| 10 GCV | 11,9                   | 1 139           | 7 000 | 48            | 60     | 13   | 116        | 87,0  | 43  | 69  | 84  | 14,0 | 39  | 40  | 51  | 132 | 32,5  | 14,7              | 4                                | 0,02 | 4,5   |
| 15 GCV | 24,6                   | 2 350           | 5 500 | 60            | 75     | 19   | 152        | 99,0  | 49  | 86  | 105 | 19,0 | 48  | 46  | 61  | 152 | 38,6  | 14,7              | 4                                | 0,04 | 9,1   |
| 20 GCV | 44,7                   | 4 270           | 4 600 | 73            | 92     | 25   | 178        | 124,0 | 62  | 105 | 126 | 19,0 | 59  | 58  | 77  | 183 | 51,3  | 14,7              | 4                                | 0,07 | 15,9  |
| 25 GCV | 78,3                   | 7 474           | 4 000 | 92            | 111    | 32   | 213        | 156,0 | 77  | 131 | 155 | 21,8 | 72  | 74  | 92  | 218 | 65,3  | 16,3              | 5                                | 0,12 | 27,2  |
| 30 GCV | 127,0                  | 12 100          | 3 600 | 105           | 130    | 38   | 240        | 184,0 | 91  | 152 | 180 | 21,8 | 84  | 88  | 107 | 248 | 79,8  | 16,3              | 5                                | 0,18 | 43,1  |
| 35 GCV | 194,0                  | 18 500          | 3 100 | 124           | 149    | 51   | 279        | 213,5 | 106 | 178 | 211 | 28,4 | 98  | 102 | 130 | 298 | 94,0  | 18,0              | 6                                | 0,27 | 61,2  |
| 40 GCV | 321,0                  | 30 609          | 2 800 | 146           | 171    | 64   | 318        | 243,0 | 121 | 210 | 245 | 28,4 | 111 | 115 | 145 | 340 | 105,9 | 22,0              | 7                                | 0,47 | 99,8  |
| 45 GCV | 440,0                  | 42 000          | 2 600 | 165           | 194    | 76   | 346        | 274,0 | 135 | 235 | 274 | 28,4 | 123 | 131 | 166 | 388 | 116,3 | 26,7              | 8                                | 0,57 | 136,1 |
| 50 GCV | 593,0                  | 56 600          | 2 400 | 178           | 222    | 89   | 389        | 309,0 | 153 | 254 | 306 | 38,1 | 141 | 147 | 183 | 424 | 134,6 | 27,7              | 9                                | 0,91 | 195,0 |
| 55 GCV | 775,0                  | 74 030          | 2 200 | 197           | 248    | 102  | 425        | 350,0 | 168 | 279 | 334 | 38,1 | 158 | 173 | 204 | 464 | 149,6 | 27,7              | 9                                | 1,13 | 263,1 |
| 60 GCV | 947,0                  | 90 400          | 2 100 | 222           | 267    | 114  | 457        | 384,0 | 188 | 305 | 366 | 25,4 | 169 | 186 | 229 | 522 | 168,1 | 30,9              | 10                               | 1,70 | 324,3 |
| 70 GCV | 1 420,0                | 135 000         | 1 800 | 254           | 305    | 127  | 527        | 454,0 | 221 | 343 | 425 | 28,4 | 196 | 220 | 267 | 615 | 194,8 | 39,1              | 13                               | 2,27 | 508,0 |

# Gear couplings

Single engagement · Floating shaft



Flex hub on floating shaft



Rigid hubs on floating shaft

| Size    | DBSE     |           | Bore diameter |           | Min. | Dimensions |     |     |     |      |     |     |     |    |      | Gap   | Min lubricant mass | Coupling mass without bore |
|---------|----------|-----------|---------------|-----------|------|------------|-----|-----|-----|------|-----|-----|-----|----|------|-------|--------------------|----------------------------|
|         | Flex hub | Rigid hub | Flex hub      | Rigid hub |      | A          | C   | D   | F   | H    | J   | L   | M   | G  |      |       |                    |                            |
|         | Min.     | Max.      | Max.          | Max.      |      |            |     |     |     |      |     |     |     |    |      |       |                    |                            |
| -       | mm       |           |               |           |      |            |     |     |     |      |     |     |     |    | kg   |       |                    |                            |
| 10 GCFS | 133      | 92        | 48            | 60        | 13   | 116        | 43  | 69  | 84  | 14,0 | 39  | 40  | 51  | 4  | 0,02 | 4,5   |                    |                            |
| 15 GCFS | 159      | 105       | 60            | 75        | 19   | 152        | 49  | 86  | 105 | 19,0 | 48  | 46  | 61  | 4  | 0,04 | 9,1   |                    |                            |
| 20 GCFS | 197      | 129       | 73            | 92        | 25   | 178        | 62  | 105 | 126 | 19,0 | 59  | 58  | 77  | 4  | 0,07 | 15,9  |                    |                            |
| 25 GCFS | 241      | 162       | 92            | 111       | 32   | 213        | 77  | 131 | 155 | 21,8 | 72  | 74  | 92  | 5  | 0,12 | 27,2  |                    |                            |
| 30 GCFS | 279      | 189       | 105           | 130       | 38   | 240        | 91  | 152 | 180 | 21,8 | 84  | 88  | 107 | 5  | 0,18 | 43,1  |                    |                            |
| 35 GCFS | 324      | 219       | 124           | 149       | 51   | 279        | 106 | 178 | 211 | 28,4 | 98  | 102 | 130 | 6  | 0,27 | 61,2  |                    |                            |
| 40 GCFS | 419      | 248       | 146           | 171       | 64   | 318        | 121 | 210 | 245 | 28,4 | 111 | 115 | 145 | 7  | 0,47 | 99,8  |                    |                            |
| 45 GCFS | 508      | 281       | 165           | 194       | 76   | 346        | 135 | 235 | 274 | 28,4 | 123 | 131 | 166 | 8  | 0,57 | 136,1 |                    |                            |
| 50 GCFS | 533      | 316       | 178           | 222       | 89   | 389        | 153 | 254 | 306 | 38,1 | 141 | 147 | 183 | 9  | 0,91 | 195,0 |                    |                            |
| 55 GCFS | 572      | 367       | 197           | 248       | 102  | 425        | 168 | 279 | 334 | 38,1 | 158 | 173 | 204 | 9  | 1,13 | 263,1 |                    |                            |
| 60 GCFS | 597      | 397       | 222           | 267       | 114  | 457        | 188 | 305 | 366 | 25,4 | 169 | 186 | 229 | 10 | 1,70 | 324,3 |                    |                            |
| 70 GCFS | 673      | 470       | 254           | 305       | 127  | 527        | 221 | 343 | 425 | 28,4 | 196 | 220 | 267 | 13 | 2,27 | 508,0 |                    |                            |



## Disc couplings

The SKF disc coupling is the ideal solution in medium to high torque applications that require torsional rigidity, offer some allowance for misalignment, and do not require lubrication. These applications typically have a capacity range up to 178 kNm in a range of configurations including single disc, double disc, and spacer for both horizontal and vertical mounting. Standard shaft capacities are up to 289 mm.

The SKF disc coupling consists of two hubs and a laminated stainless steel disc pack secured by a series of fitted bolts retained by nylon insert lock nut nuts.

For spacer units, the spacer length is held between two disc pack sets.

Single disc units can accommodate angular ( $\alpha$ ) offset only. Double disc pack units, with a spacer, will allow for angular ( $\alpha$ ), parallel ( $\delta$ ), or combined offset. Both configurations will also allow for some axial ( $\delta$ ) movement.

The disc pack, or spacer may be removed and re-installed radially, meaning the prime mover and driven machine need not be moved at all.

The all-steel machined components allow for high speed applications to be handled with ease. With two-plane dynamic balancing, higher speeds are often permissible.

Hubs are carried with pilot bores so that boring to requirements is easy. In addition, where zero backlash is required, the use of the SKF FX Keyless Bushing is a simple and economical solution.

### The SKF Disc Coupling offers the following benefits:

- Medium to high torque capability
- Cost effective (v torque and size)
- No lubrication required
- No frictional or energy losses
- Quiet operation (no meshing)
- Zero backlash
- Angular misalignment ( $\alpha^c$ )
- Parallel offset ( $\beta$ ) with spacer / double disc pack configuration only
- High speed capability (may require dynamic balancing over 50 m/s)
- Limited end-float / axial movement ( $\delta$ )

- Temperature-tolerant (generally up to 250 °C)
- Low inertia / mass  $MK^2$  (when compared with other metallic-type couplings)
- Various hub designs, including short or inverted hub
- Standard spacer lengths to ANSI and ISO standards generally available
- Available with longer tubular spacers (steel or composite in some instances)
- Ease of mounting / alignment and maintenance

### Coupling types

The SKF Disc Coupling is available in 2 basic configurations:

- Single disc
- Double disc
  - Short spacer
  - Standard spacer
  - Custom spacer
  - Floating horizontal
  - Floating vertical

### Order data

| Coupling type                         | Hubs            |     | Disc pack     |                   | Bolt kit | Vertical kit   | Spacer / Vertical kit (VKIT) |              |   |               |                      |                   |   |
|---------------------------------------|-----------------|-----|---------------|-------------------|----------|----------------|------------------------------|--------------|---|---------------|----------------------|-------------------|---|
| –                                     | Solid bore      | Qty | Bored to size | Qty               | Qty      | Qty            | Qty (... = DBSE dimension)   | Qty          |   |               |                      |                   |   |
| Single-flex (W4)                      | PHE W4-15HUBRSB | 2   | or            | PHE W4-15HUB...MM | 2        | PHE W4-15DPACK | 1                            | PHE W4-15KIT | 1 | –             | –                    | –                 |   |
| Double-flex (W4), with spacer         | PHE W4-15HUBRSB | 2   | or            | PHE W4-15HUB...MM | 2        | PHE W4-15DPACK | 2                            | PHE W4-15KIT | 2 | –             | PHE W4-15X...MM      | 1                 |   |
| Double-flex floating                  | PHE W6-35HUBRSB | 2   | or            | PHE W6-35HUB...MM | 2        | PHE W6-35DPACK | 2                            | PHE W6-35KIT | 2 | –             | PHE W6-35FSX...MM    | 1                 |   |
| Double-flex semi-floating             | PHE W6-35HUBRSB | 2   | or            | PHE W6-35HUB...MM | 2        | PHE W6-35DPACK | 1                            | PHE W6-35KIT | 1 | –             | PHE W6-35SFSSPX...MM | 1                 |   |
| Single-flex (vertical)                | PHE W4-15HUBRSB | 2   | or            | PHE W4-15HUB...MM | 2        | PHE W4-15DPACK | 1                            | PHE W4-15KIT | 1 | PHE W4-15VKIT | 1                    | –                 |   |
| Double-flex (vertical)<br>with spacer | PHE W6-35HUBRSB | 2   | or            | PHE W6-35HUB...MM | 2        | PHE W6-35DPACK | 2                            | PHE W6-35KIT | 2 | PHE W6-35VKIT | 1                    | PHE W6-35X...MM   | 1 |
| Double-flex floating (vertical)       | PHE W6-35HUBRSB | 2   | or            | PHE W6-35HUB...MM | 2        | PHE W6-35DPACK | 2                            | PHE W6-35KIT | 2 | PHE W6-35VKIT | 1                    | PHE W6-35FSX...MM | 1 |

The complete coupling designation consists of the series, size and bore details. If bore is not specified, solid bore (RSB) is supplied, for example: PHE W6D-35x50MMx50MM or PHE W6D-45x350MMx50x50MM, where 350 mm is the required DBSE.

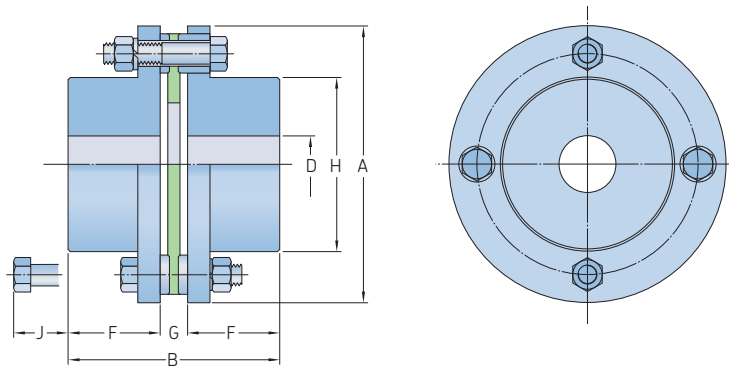
Unless specified, bore tolerance will be H7.

Option of taper bushing in the hub (mounting type F) is available on request. Note that coupling capacity may be reduced due to the taper bushing capacity. FX Keyless bushings are also an option in some cases. Please, refer to SKF for details on both options.

For bored to size designations, add bore size. For example: PHE W4D-45X50MMX45MM.

## Disc couplings

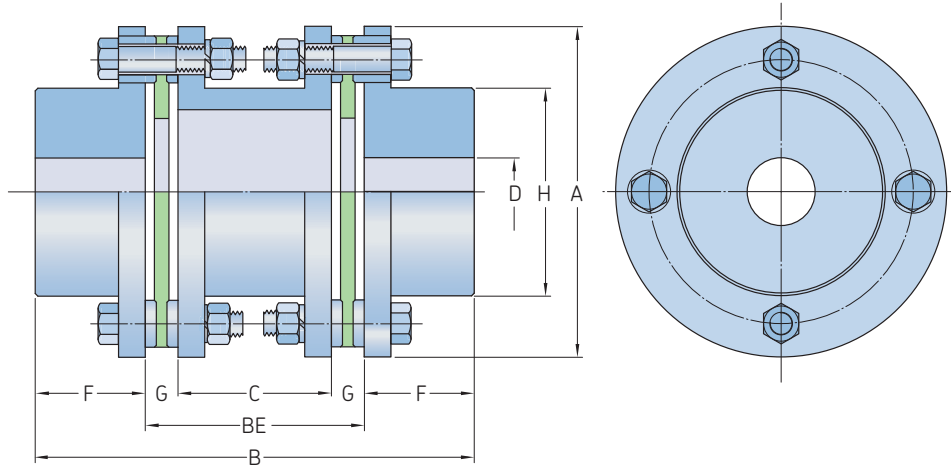
### W4 – 4 Bolt single



| Size | Rated torque<br>Nm | Speed <sup>1)</sup><br>r/min | Bore diameter |      | Dimensions |       |     |      |     |    | Tightening<br>torque<br>Nm | Coupling weight<br>without bore and min. DBSE<br>kg |  |
|------|--------------------|------------------------------|---------------|------|------------|-------|-----|------|-----|----|----------------------------|-----------------------------------------------------|--|
|      |                    |                              | D<br>Min.     | Max. | A          | B     | F   | G    | H   | J  |                            |                                                     |  |
| –    |                    |                              | mm            |      |            |       |     |      |     |    |                            |                                                     |  |
| 05 S | 34,3               | 10 000                       | 8             | 23   | 67         | 55,8  | 25  | 5,8  | 33  | 16 | 9                          | 0,6                                                 |  |
| 10 S | 90,0               | 10 000                       | 10            | 32   | 81         | 57,1  | 25  | 7,1  | 46  | 16 | 9                          | 1,1                                                 |  |
| 15 S | 176,0              | 10 000                       | 10            | 35   | 93         | 66,4  | 29  | 8,4  | 51  | 24 | 22                         | 1,7                                                 |  |
| 20 S | 245,0              | 10 000                       | 10            | 42   | 104        | 79,0  | 34  | 11,0 | 61  | 30 | 22                         | 2,5                                                 |  |
| 25 S | 421,0              | 8 300                        | 16            | 50   | 126        | 93,2  | 41  | 11,2 | 71  | 27 | 41                         | 4,3                                                 |  |
| 30 S | 774,0              | 7 300                        | 16            | 58   | 143        | 108,5 | 48  | 12,5 | 84  | 28 | 72                         | 6,9                                                 |  |
| 35 S | 1 274,0            | 6 200                        | 25            | 74   | 168        | 130,0 | 57  | 16,0 | 106 | 26 | 72                         | 11,3                                                |  |
| 40 S | 2 058,0            | 5 400                        | 25            | 83   | 194        | 145,0 | 64  | 17,0 | 118 | 30 | 160                        | 16,7                                                |  |
| 45 S | 3 332,0            | 4 900                        | 45            | 95   | 214        | 174,8 | 76  | 22,8 | 137 | 34 | 160                        | 22,7                                                |  |
| 50 S | 4 900,0            | 4 200                        | 50            | 109  | 246        | 202,0 | 89  | 24,0 | 156 | 26 | 220                        | 35,4                                                |  |
| 55 S | 6 370,0            | 3 800                        | 50            | 118  | 276        | 230,0 | 102 | 26,0 | 169 | 42 | 570                        | 52,0                                                |  |

<sup>1)</sup> If higher speed required, contact SKF

**Disc couplings**  
W4 – 4 Bolt double



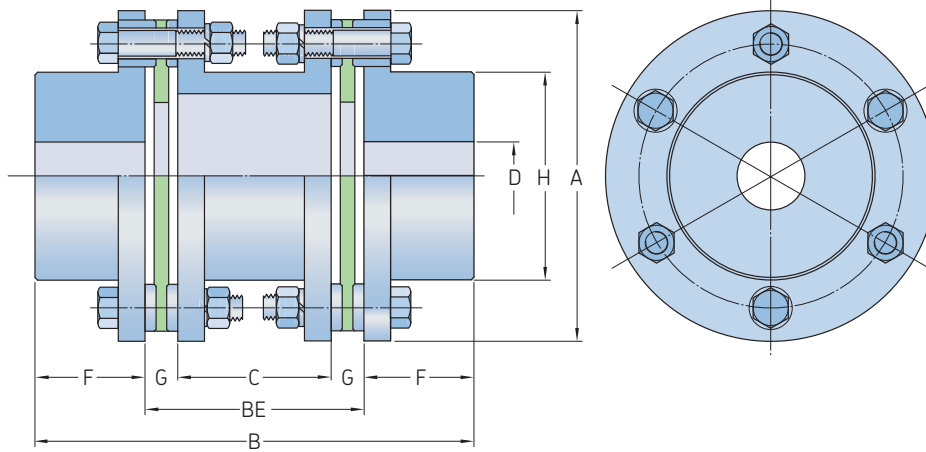
| Size | Rated torque | Speed <sup>1)</sup> | Bore diameter |      | Dimensions |       |                       |                 |     |      |     |    | Tightening torque | Coupling weight without bore and min. DBSE |
|------|--------------|---------------------|---------------|------|------------|-------|-----------------------|-----------------|-----|------|-----|----|-------------------|--------------------------------------------|
|      |              |                     | D Min.        | Max. | A          | B     | BE <sup>3)</sup> Min. | C <sup>2)</sup> | F   | G    | H   | J  |                   |                                            |
| -    | Nm           | r/min               | mm            |      |            |       |                       |                 |     |      |     |    | Nm                | kg                                         |
| 05 D | 33,3         | 10 000              | 8             | 23   | 67         | 86,0  | 36,0                  | 24              | 25  | 5,8  | 33  | 16 | 9                 | 1,1                                        |
|      | 33,3         | 10 000              | 8             | 23   | 67         | 138,9 | 88,9                  | 77              | 25  | 5,8  | 33  | 16 | 9                 | 1,2                                        |
| 10 D | 90,2         | 10 000              | 10            | 32   | 81         | 89,0  | 39,0                  | 25              | 25  | 7,1  | 46  | 16 | 9                 | 1,7                                        |
|      | 90,2         | 10 000              | 10            | 32   | 81         | 138,9 | 88,9                  | 75              | 25  | 7,1  | 46  | 16 | 9                 | 1,9                                        |
| 15 D | 176,0        | 10 000              | 10            | 35   | 93         | 105,0 | 47,0                  | 30              | 29  | 8,4  | 51  | 24 | 22                | 2,7                                        |
|      | 176,0        | 10 000              | 10            | 35   | 93         | 159,6 | 101,6                 | 85              | 29  | 8,4  | 51  | 24 | 22                | 2,9                                        |
| 20 D | 245,0        | 10 000              | 10            | 42   | 104        | 121,0 | 53,0                  | 31              | 34  | 11,0 | 61  | 30 | 22                | 6,6                                        |
|      | 245,0        | 10 000              | 10            | 42   | 104        | 195,0 | 127,0                 | 105             | 34  | 11,0 | 61  | 30 | 22                | 4,1                                        |
| 25 D | 421,0        | 8 300               | 16            | 50   | 126        | 144,0 | 62,0                  | 40              | 41  | 11,2 | 71  | 27 | 41                | 6,6                                        |
|      | 421,0        | 8 300               | 16            | 50   | 126        | 209,0 | 127,0                 | 105             | 41  | 11,2 | 71  | 27 | 41                | 7,1                                        |
| 30 D | 774,0        | 7 300               | 16            | 58   | 143        | 165,0 | 69,0                  | 44              | 48  | 12,5 | 84  | 28 | 72                | 10,3                                       |
|      | 774,0        | 7 300               | 16            | 58   | 143        | 223,0 | 127,0                 | 102             | 48  | 12,5 | 84  | 28 | 72                | 10,8                                       |
| 35 D | 1 274,0      | 6 200               | 25            | 74   | 168        | 192,0 | 78,0                  | 46              | 57  | 16,0 | 106 | 26 | 72                | 15,6                                       |
|      | 1 274,0      | 6 200               | 25            | 74   | 168        | 241,0 | 127,0                 | 95              | 57  | 16,0 | 106 | 26 | 72                | 16,3                                       |
| 40 D | 2 058,0      | 5 400               | 25            | 83   | 194        | 217,0 | 89,0                  | 55              | 64  | 17,0 | 118 | 30 | 160               | 24,0                                       |
|      | 2 058,0      | 5 400               | 25            | 83   | 194        | 267,7 | 139,7                 | 106             | 64  | 17,0 | 118 | 30 | 160               | 24,7                                       |
| 45 D | 3 332,0      | 4 900               | 45            | 90   | 214        | 249,0 | 97,0                  | 51              | 76  | 22,8 | 137 | 34 | 160               | 31,5                                       |
|      | 3 332,0      | 4 900               | 45            | 90   | 214        | 304,4 | 152,4                 | 107             | 76  | 22,8 | 137 | 34 | 160               | 32,5                                       |
| 50 D | 4 900,0      | 4 200               | 50            | 109  | 246        | 287,0 | 109,0                 | 61              | 89  | 24,0 | 156 | 26 | 220               | 48,4                                       |
|      | 4 900,0      | 4 200               | 50            | 109  | 246        | 355,8 | 177,8                 | 130             | 89  | 24,0 | 156 | 26 | 220               | 50,0                                       |
| 55 D | 5 880,0      | 3 800               | 50            | 118  | 276        | 338,0 | 134,0                 | 82              | 102 | 26,0 | 169 | 42 | 570               | 73,9                                       |
|      | 5 880,0      | 3 800               | 50            | 118  | 276        | 381,8 | 177,8                 | 126             | 102 | 26,0 | 169 | 42 | 570               | 75,0                                       |

<sup>1)</sup> If higher speed required, contact SKF

<sup>2)</sup> For dimension C in type 4F, this varies depending on spacer length

<sup>3)</sup> Preferred standard spacer lengths to both ISO and ANSI standards are available.

**Disc couplings**  
W6 – 6 Bolt double



| Size | Rated torque Speed <sup>1)</sup> |        | Bore diameter |      | Dimensions |     |                       |                 |     |      |     | Tightening torque | Coupling weight without bore and min. DBSE |
|------|----------------------------------|--------|---------------|------|------------|-----|-----------------------|-----------------|-----|------|-----|-------------------|--------------------------------------------|
|      | Nm                               | r/min  | D Min.        | Max. | A          | B   | BE <sup>3)</sup> Min. | C <sup>2)</sup> | F   | G    | H   |                   |                                            |
| 00 D | 569                              | 26 000 | 8             | 51   | 119        | 168 | 60                    | 39,4            | 54  | 10,3 | 74  | 22                | 6,0                                        |
| 01 D | 922                              | 23 000 | 8             | 55   | 137        | 198 | 72                    | 50,0            | 63  | 11,0 | 81  | 41                | 9,1                                        |
| 02 D | 1 710                            | 19 000 | 8             | 67   | 161        | 238 | 90                    | 66,0            | 74  | 12,0 | 97  | 72                | 16,9                                       |
| 03 D | 3 340                            | 17 000 | 8             | 72   | 180        | 269 | 109                   | 81,0            | 80  | 14,0 | 104 | 160               | 21,6                                       |
| 04 D | 6 210                            | 15 000 | 8             | 85   | 212        | 308 | 118                   | 84,0            | 95  | 17,0 | 124 | 220               | 35,1                                       |
| 05 D | 6 080                            | 11 600 | 8             | 111  | 276        | 377 | 153                   | 118,0           | 112 | 17,5 | 161 | 220               | 65,1                                       |
| 10 D | 8 240                            | 11 600 | 10            | 111  | 276        | 377 | 153                   | 115,0           | 112 | 19,0 | 161 | 220               | 66,1                                       |
| 15 D | 10 700                           | 10 300 | 10            | 133  | 308        | 440 | 172                   | 134,0           | 134 | 19,0 | 193 | 440               | 107,8                                      |
| 20 D | 17 800                           | 9 200  | 10            | 152  | 346        | 497 | 191                   | 146,0           | 153 | 22,5 | 218 | 570               | 156,8                                      |
| 25 D | 26 400                           | 8 500  | 16            | 165  | 375        | 553 | 223                   | 167,0           | 165 | 28,0 | 240 | 1 100             | 211,8                                      |
| 30 D | 33 400                           | 7 800  | 16            | 178  | 410        | 610 | 254                   | 192,0           | 178 | 31,0 | 258 | 1 500             | 274,8                                      |
| 35 D | 39 900                           | 7 200  | 25            | 187  | 445        | 646 | 270                   | 208,0           | 188 | 31,0 | 272 | 1 700             | 333,0                                      |
| 40 D | 46 300                           | 6 800  | 25            | 205  | 470        | 686 | 274                   | 206,0           | 206 | 34,0 | 297 | 1 700             | 400,0                                      |
| 45 D | 59 800                           | 6 200  | 45            | 231  | 511        | 749 | 287                   | 216,0           | 231 | 35,5 | 334 | 1 700             | 525,0                                      |
| 50 D | 74 700                           | 5 700  | 50            | 254  | 556        | 800 | 292                   | 218,0           | 254 | 37,0 | 364 | 3 000             | 676,0                                      |
| 55 D | 92 600                           | 5 400  | 50            | 263  | 587        | 839 | 311                   | 236,0           | 364 | 37,5 | 382 | 3 500             | 803,0                                      |
| 60 D | 107 000                          | 5 000  | 50            | 275  | 629        | 895 | 343                   | 268,0           | 276 | 37,5 | 399 | 3 700             | 654,0                                      |
| 65 D | 128 000                          | 4 800  | 50            | 289  | 654        | 934 | 356                   | 281,0           | 289 | 37,5 | 419 | 4 000             | 1095,0                                     |

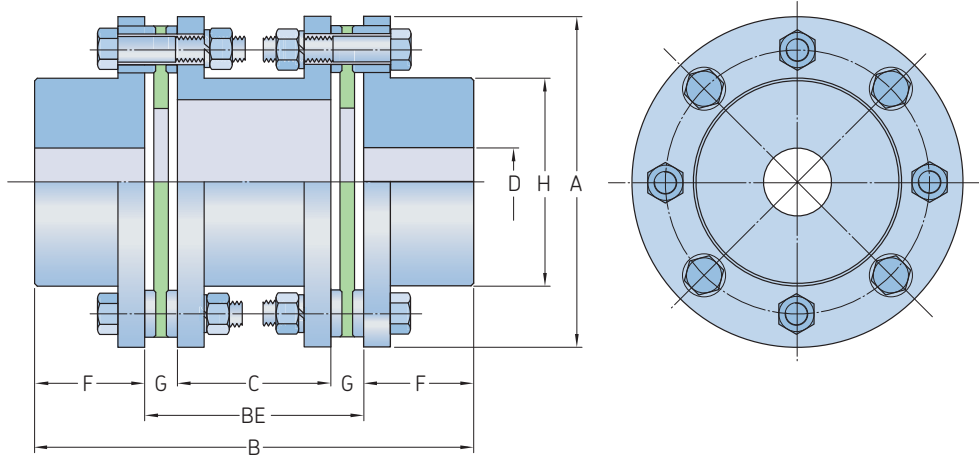
<sup>1)</sup> If higher speed required, contact SKF

<sup>2)</sup> For dimensions B, C in type 6F, this varies depending on spacer length

<sup>3)</sup> Preferred standard spacer lengths to both ISO and ANSI standards are available.

## Disc couplings

### W8 – 8 Bolt double



| Size        | Rated torque Speed <sup>1)</sup> |        | Bore diameter |      | Dimensions |                 |                     |                 |     |      |     | Tightening torque | Coupling weight without bore and min. DBSE <sup>3)</sup> |
|-------------|----------------------------------|--------|---------------|------|------------|-----------------|---------------------|-----------------|-----|------|-----|-------------------|----------------------------------------------------------|
|             | Nm                               | r/min  | D Min.        | Max. | A          | B <sup>2)</sup> | BE <sup>4) 5)</sup> | C <sup>2)</sup> | F   | G    | H   |                   |                                                          |
| –           | Nm                               | r/min  | mm            |      |            |                 |                     |                 |     |      |     | Nm                | kg                                                       |
| <b>01 D</b> | 3 840                            | 15 000 | 8             | 95   | 214        | 333             | 117                 | 92,6            | 108 | 12,2 | 137 | 72                | 38                                                       |
| <b>03 D</b> | 7 120                            | 13 000 | 8             | 108  | 246        | 369             | 127                 | 99,6            | 121 | 13,7 | 156 | 160               | 56                                                       |
| <b>05 D</b> | 8 970                            | 11 600 | 8             | 111  | 276        | 421             | 153                 | 118,0           | 134 | 17,5 | 161 | 220               | 73                                                       |
| <b>10 D</b> | 11 800                           | 11 600 | 10            | 111  | 276        | 421             | 153                 | 115,0           | 134 | 19,0 | 161 | 220               | 74                                                       |
| <b>15 D</b> | 15 400                           | 10 300 | 10            | 133  | 308        | 492             | 172                 | 134,0           | 160 | 19,0 | 193 | 440               | 120                                                      |
| <b>20 D</b> | 25 600                           | 9 200  | 10            | 152  | 346        | 557             | 191                 | 148,0           | 183 | 21,5 | 218 | 570               | 175                                                      |
| <b>25 D</b> | 37 800                           | 8 500  | 16            | 165  | 375        | 619             | 223                 | 175,0           | 198 | 24,0 | 240 | 1 100             | 234                                                      |
| <b>30 D</b> | 47 800                           | 7 800  | 16            | 178  | 410        | 682             | 254                 | 195,0           | 214 | 29,5 | 258 | 1 500             | 305                                                      |
| <b>35 D</b> | 57 100                           | 7 200  | 25            | 187  | 445        | 720             | 270                 | 211,0           | 225 | 29,5 | 272 | 1 700             | 368                                                      |
| <b>40 D</b> | 64 400                           | 6 800  | 25            | 205  | 470        | 768             | 274                 | 212,0           | 247 | 31,0 | 297 | 1 700             | 448                                                      |
| <b>45 D</b> | 83 700                           | 6 200  | 45            | 231  | 511        | 843             | 287                 | 223,0           | 278 | 32,0 | 334 | 1 700             | 592                                                      |
| <b>50 D</b> | 103 000                          | 5 700  | 50            | 254  | 556        | 902             | 292                 | 227,0           | 305 | 32,5 | 364 | 3 000             | 762                                                      |
| <b>55 D</b> | 128 000                          | 5 400  | 50            | 263  | 587        | 945             | 311                 | 243,0           | 317 | 34,0 | 382 | 3 500             | 902                                                      |
| <b>60 D</b> | 149 000                          | 5 000  | 50            | 275  | 629        | 1005            | 343                 | 274,0           | 331 | 34,5 | 399 | 3 700             | 1068                                                     |
| <b>65 D</b> | 178 000                          | 4 800  | 50            | 289  | 654        | 1050            | 356                 | 285,0           | 347 | 35,5 | 419 | 4 000             | 1231                                                     |

<sup>1)</sup> If higher speed required, contact SKF.

<sup>2)</sup> For dimension B, C in type 6F, this varies depending on spacer length.

<sup>3)</sup> For coupling weight in type 4F, this varies depending on spacer length.

<sup>4)</sup> Maximum permissible Be will be determined and limited by operating speed.

<sup>5)</sup> Preferred standard spacer lengths to both ISO and ANSI standards are available.

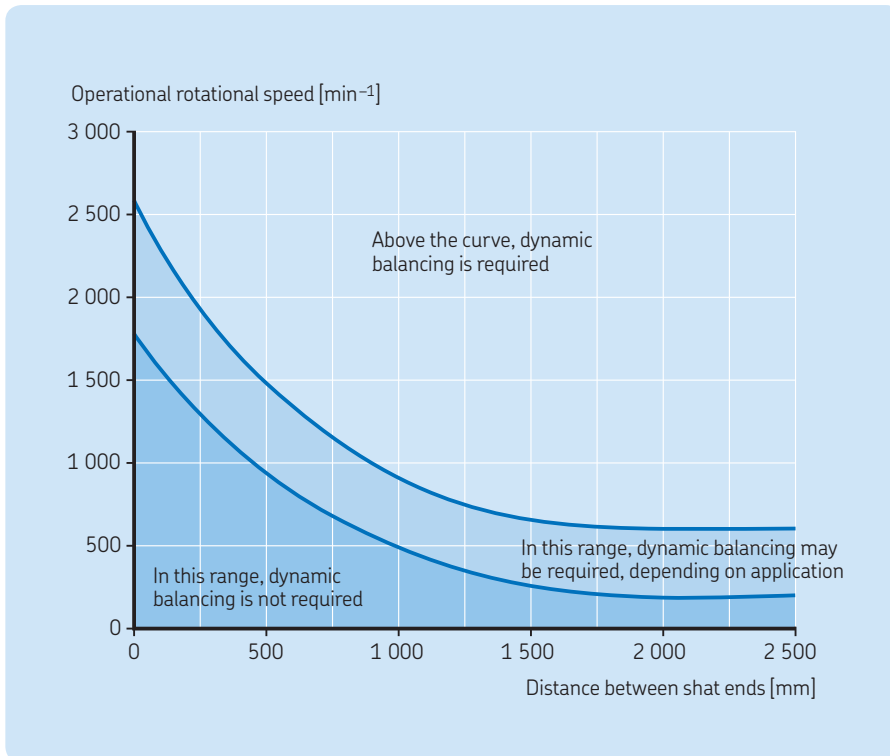
## Floating shaft disc couplings

SKF Floating shaft disc couplings transmit power between widely separated machine shafts, or where large parallel misalignment exists.

Allowable rotational speeds are determined, and limited, by the span and the balance condition of the coupling system. Balancing is necessary for high speeds and long shafts as indicated in the following tables **1** to **3**.

Disc floating shaft couplings are also available for vertical applications with the addition of a vertical floating shaft kit.

- 1 Do not use floating shaft couplings with long, overhanging shafts.
- 2 Consult SKF for spans greater than 6 000 mm, or for speeds in excess of those indicated in the tables.



### W4F Speed

| Size | Bore<br>Max.<br>r/min | Maximum distance between shaft ends (BE max) for various speeds |       |       |       |       |       |       |       |       |
|------|-----------------------|-----------------------------------------------------------------|-------|-------|-------|-------|-------|-------|-------|-------|
|      |                       | 1 800                                                           | 1 500 | 1 200 | 1 000 | 900   | 750   | 720   | 600   | 500   |
| 010  | 32                    | 1 610                                                           | 1 760 | 1 970 | 2 160 | 2 280 | 2 500 | 2 550 | 2 790 | 3 060 |
| 015  | 35                    | 1 690                                                           | 1 850 | 2 070 | 2 270 | 2 390 | 2 620 | 2 670 | 2 930 | 3 210 |
| 020  | 42                    | 1 880                                                           | 2 050 | 2 300 | 2 520 | 2 650 | 2 910 | 2 970 | 3 250 | 3 560 |
| 025  | 50                    | 2 010                                                           | 2 210 | 2 470 | 2 700 | 2 850 | 3 120 | 3 190 | 3 490 | 3 830 |
| 030  | 58                    | 2 220                                                           | 2 430 | 2 720 | 2 980 | 3 140 | 3 440 | 3 510 | 3 850 | 4 210 |
| 035  | 74                    | 2 500                                                           | 2 740 | 3 060 | 3 350 | 3 540 | 3 870 | 3 950 | 4 330 | 4 750 |
| 040  | 83                    | 2 690                                                           | 2 950 | 3 300 | 3 610 | 3 800 | 4 180 | 4 250 | 4 660 | 5 120 |
| 045  | 95                    | 2 890                                                           | 3 170 | 3 540 | 3 880 | 4 090 | 4 490 | 4 570 | 5 010 | 5 500 |
| 050  | 109                   | 3 100                                                           | 3 400 | 3 800 | 4 160 | 4 390 | 4 820 | 4 910 | 5 370 | 5 900 |
| 055  | 118                   | 3 230                                                           | 3 540 | 3 960 | 4 330 | 4 560 | 5 010 | 5 100 | 5 590 | –     |

For BE dimensions over 6 000 mm, please contact SKF  
Floating shaft couplings should not be used with long overhang shafts

## Floating shaft disc couplings

### W6F Speed

| Size       | Bore  | Maximum distance between shaft ends (BE max) for various speeds |       |       |       |       |       |       |       |       |
|------------|-------|-----------------------------------------------------------------|-------|-------|-------|-------|-------|-------|-------|-------|
|            |       | 1 800                                                           | 1 500 | 1 200 | 1 000 | 900   | 750   | 720   | 600   | 500   |
| Max.       |       |                                                                 |       |       |       |       |       |       |       |       |
| –          | r/min | r/min                                                           |       |       |       |       |       |       |       |       |
| <b>000</b> | 51    | 2 010                                                           | 2 210 | 2 470 | 2 700 | 2 850 | 3 120 | 3 190 | 3 490 | 3 830 |
| <b>001</b> | 55    | 2 220                                                           | 2 430 | 2 720 | 2 980 | 3 140 | 3 440 | 3 510 | 3 850 | 4 210 |
| <b>002</b> | 67    | 2 500                                                           | 2 740 | 3 060 | 3 350 | 3 540 | 3 870 | 3 950 | 4 330 | 4 750 |
| <b>003</b> | 72    | 2 890                                                           | 3 170 | 3 540 | 3 880 | 4 090 | 4 490 | 4 570 | 5 010 | 5 500 |
| <b>004</b> | 85    | 3 100                                                           | 3 400 | 3 800 | 4 160 | 4 390 | 4 820 | 4 910 | 5 370 | 5 900 |
| <b>005</b> | 111   | 3 100                                                           | 3 400 | 3 800 | 4 160 | 4 390 | 4 820 | 4 910 | 5 370 | 5 900 |
| <b>010</b> | 111   | 3 100                                                           | 3 540 | 3 800 | 4 160 | 4 390 | 4 820 | 4 910 | 5 370 | 5 900 |
| <b>015</b> | 133   | 3 230                                                           | 3 540 | 3 960 | 4 330 | 4 560 | 5 010 | 5 100 | 5 590 | –     |
| <b>020</b> | 152   | 3 720                                                           | 4 070 | 4 560 | 4 990 | 5 250 | 5 770 | 5 880 | –     | –     |
| <b>025</b> | 165   | 3 720                                                           | 4 070 | 4 560 | 4 990 | 5 250 | 5 770 | 5 880 | –     | –     |
| <b>030</b> | 178   | 3 860                                                           | 4 030 | 4 510 | 4 940 | 5 200 | 5 710 | 5 810 | –     | –     |
| <b>035</b> | 187   | 4 140                                                           | 4 540 | 5 070 | 5 560 | 5 850 | –     | –     | –     | –     |
| <b>040</b> | 205   | 4 140                                                           | 4 540 | 5 070 | 5 560 | 5 850 | –     | –     | –     | –     |
| <b>045</b> | 231   | 4 530                                                           | 4 960 | 5 540 | –     | –     | –     | –     | –     | –     |
| <b>050</b> | 254   | 4 790                                                           | 5 240 | 5 860 | –     | –     | –     | –     | –     | –     |
| <b>055</b> | 263   | 4 790                                                           | 5 240 | 5 860 | –     | –     | –     | –     | –     | –     |
| <b>060</b> | 275   | 4 790                                                           | 5 240 | 5 860 | –     | –     | –     | –     | –     | –     |
| <b>065</b> | 289   | 5 120                                                           | 5 600 | –     | –     | –     | –     | –     | –     | –     |

For BE dimensions over 6 000 mm, please contact SKF  
Floating shaft couplings should not be used with long overhang shafts

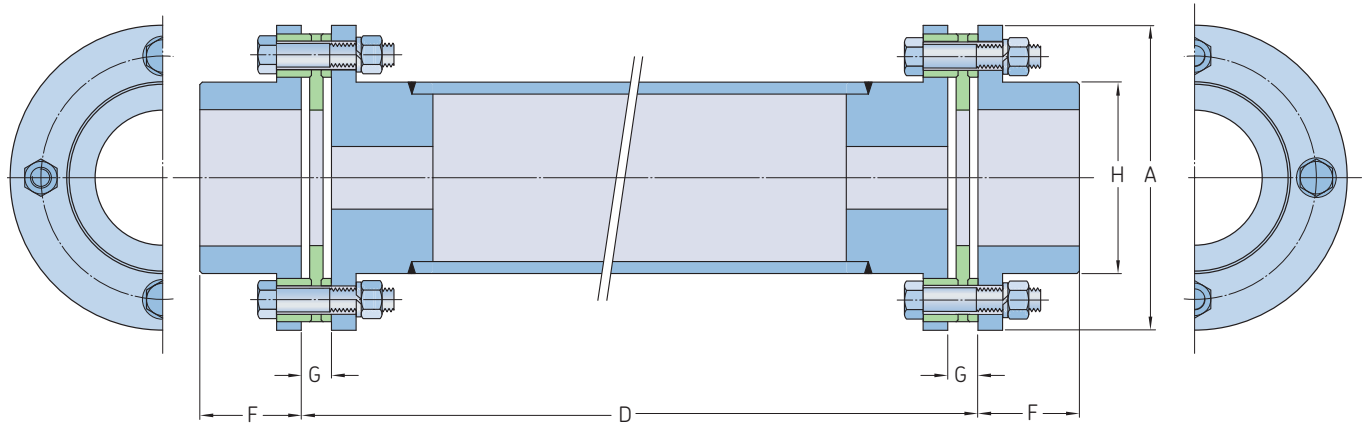
### W8F Speed

| Size       | Bore  | Maximum distance between shaft ends (BE max) for various speeds |       |       |       |       |       |       |       |       |
|------------|-------|-----------------------------------------------------------------|-------|-------|-------|-------|-------|-------|-------|-------|
|            |       | 1 800                                                           | 1 500 | 1 200 | 1 000 | 900   | 750   | 720   | 600   | 500   |
| Max.       |       |                                                                 |       |       |       |       |       |       |       |       |
| –          | r/min | r/min                                                           |       |       |       |       |       |       |       |       |
| <b>001</b> | 95    | 2 890                                                           | 3 170 | 3 540 | 3 880 | 4 090 | 4 490 | 4 570 | 5 010 | 5 500 |
| <b>003</b> | 108   | 3 100                                                           | 3 400 | 3 800 | 4 160 | 4 390 | 4 820 | 4 910 | 5 370 | 5 900 |
| <b>005</b> | 111   | 3 100                                                           | 3 400 | 3 800 | 4 160 | 4 390 | 4 820 | 4 910 | 5 370 | 5 900 |
| <b>010</b> | 111   | 3 100                                                           | 3 400 | 3 800 | 4 160 | 4 390 | 4 820 | 4 910 | 5 370 | 5 900 |
| <b>015</b> | 133   | 3 230                                                           | 3 450 | 3 960 | 4 330 | 4 560 | 5 010 | 5 100 | 5 590 | –     |
| <b>020</b> | 152   | 3 720                                                           | 4 070 | 4 560 | 4 990 | 5 250 | 5 770 | 5 880 | –     | –     |
| <b>025</b> | 165   | 3 680                                                           | 4 030 | 4 510 | 4 940 | 5 200 | 5 710 | 5 810 | –     | –     |
| <b>030</b> | 178   | 3 680                                                           | 4 030 | 4 510 | 4 940 | 5 200 | 5 710 | 5 810 | –     | –     |
| <b>035</b> | 187   | 4 100                                                           | 4 490 | 5 020 | 5 500 | 5 790 | –     | –     | –     | –     |
| <b>040</b> | 205   | 4 100                                                           | 4 490 | 5 020 | 5 500 | 5 790 | –     | –     | –     | –     |
| <b>045</b> | 231   | 4 480                                                           | 4 900 | 5 480 | 6 010 | –     | –     | –     | –     | –     |
| <b>050</b> | 254   | 4 730                                                           | 5 180 | 5 800 | –     | –     | –     | –     | –     | –     |
| <b>055</b> | 263   | 4 730                                                           | 5 180 | 5 800 | –     | –     | –     | –     | –     | –     |
| <b>060</b> | 275   | 4 730                                                           | 5 180 | 5 800 | –     | –     | –     | –     | –     | –     |
| <b>065</b> | 289   | 5 060                                                           | 5 540 | –     | –     | –     | –     | –     | –     | –     |

For BE dimensions over 6 000 mm, please contact SKF  
Floating shaft couplings should not be used with long overhang shafts

# Disc couplings

## W4 FH – Floating shaft



| Size  | Rated torque <sup>2)</sup> | Speed <sup>1)</sup><br>Max. | Bore diameter |      | Dimensions |                       |     |      |     |    | Tightening torque               | Coupling weight without bore and min. DBSE |                                     |
|-------|----------------------------|-----------------------------|---------------|------|------------|-----------------------|-----|------|-----|----|---------------------------------|--------------------------------------------|-------------------------------------|
|       |                            |                             | D Min.        | Max. | A          | BE <sup>3)</sup> Min. | F   | G    | H   | J  |                                 |                                            | C                                   |
| –     | Nm                         | r/min                       | mm            |      |            |                       |     |      |     |    | Nm                              | kg                                         |                                     |
| 10 FH | 90,2                       | 10 000                      | 10            | 32   | 81         | 72                    | 25  | 7,1  | 46  | 16 | Dimension varies on BE required | 9                                          | Weight varies on length of spacer C |
| 15 FH | 176,0                      | 10 000                      | 10            | 35   | 93         | 76                    | 29  | 8,4  | 51  | 24 |                                 | 22                                         |                                     |
| 20 FH | 245,0                      | 10 000                      | 10            | 42   | 104        | 88                    | 34  | 11,0 | 61  | 30 |                                 | 22                                         |                                     |
| 25 FH | 421,0                      | 8 300                       | 16            | 50   | 126        | 99                    | 41  | 11,2 | 71  | 27 | 41                              |                                            |                                     |
| 30 FH | 774,0                      | 7 300                       | 16            | 58   | 143        | 111                   | 48  | 12,5 | 84  | 28 | 72                              |                                            |                                     |
| 35 FH | 1 274,0                    | 6 200                       | 25            | 74   | 168        | 142                   | 57  | 16,0 | 106 | 26 | 72                              |                                            |                                     |
| 40 FH | 2 058,0                    | 5 400                       | 25            | 83   | 194        | 154                   | 64  | 17,0 | 118 | 30 | 160                             |                                            |                                     |
| 45 FH | 3 332,0                    | 4 900                       | 45            | 90   | 214        | 183                   | 76  | 22,8 | 137 | 34 | 160                             |                                            |                                     |
| 50 FH | 4 900,0                    | 4 200                       | 50            | 109  | 246        | 211                   | 89  | 24,0 | 156 | 26 | 220                             |                                            |                                     |
| 55 FH | 5 880,0                    | 3 800                       | 50            | 118  | 276        | 234                   | 102 | 26,0 | 169 | 42 | 570                             |                                            |                                     |

<sup>1)</sup> Maximum rotational speed (r/min) is based on parallel misalignment no more than 2/1 000

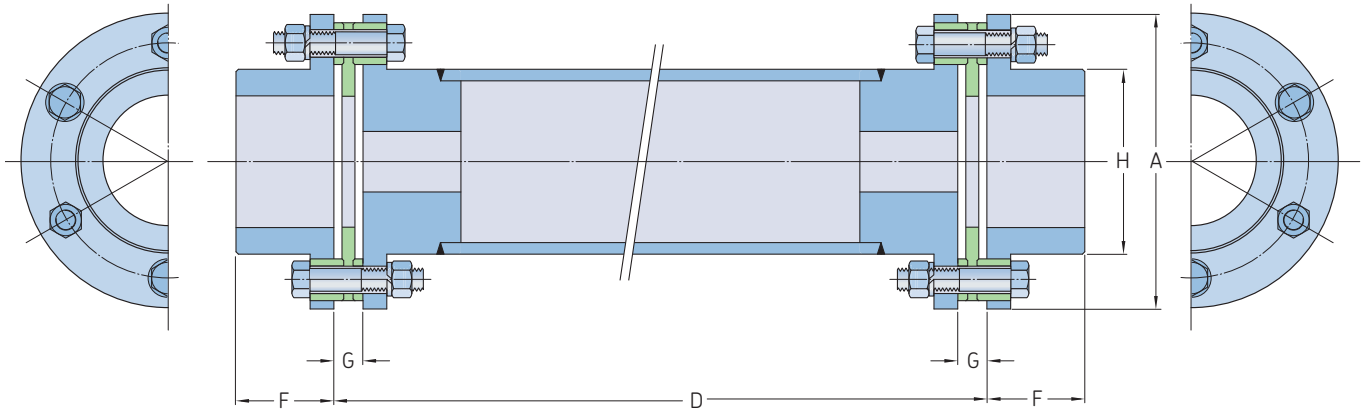
<sup>2)</sup> Rated torque is a maximum figure

<sup>3)</sup> For BE dimensions over 6 000 mm, please contact SKF



## Disc couplings

W6 FH – Floating shaft

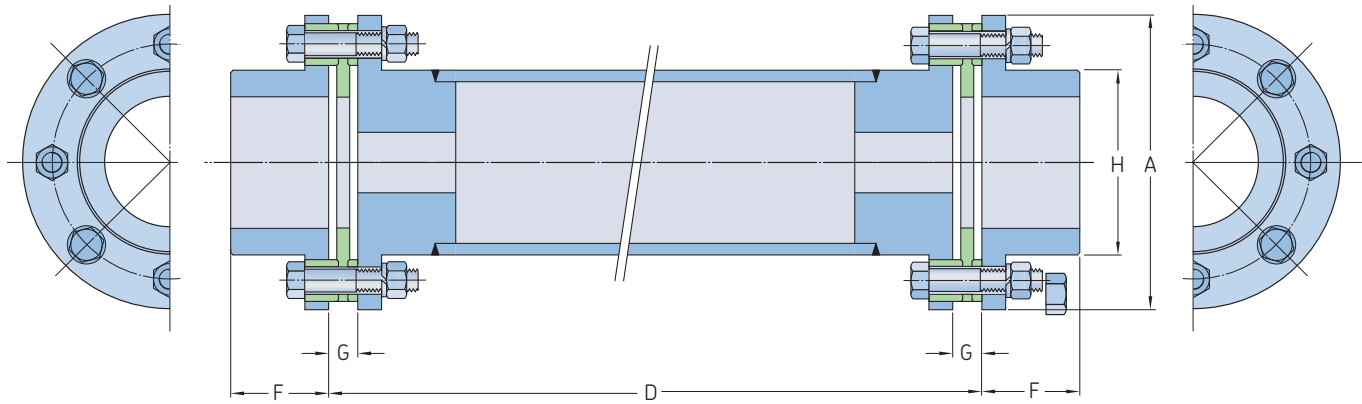


| Size  | Rated torque <sup>2)</sup> | Speed <sup>1)</sup> | Bore diameter |      | Dimensions |     |     |      |     | Tightening torque | Coupling weight without bore and min. DBSE |
|-------|----------------------------|---------------------|---------------|------|------------|-----|-----|------|-----|-------------------|--------------------------------------------|
|       |                            |                     | D Min.        | Max. | A          | BE  | F   | G    | H   |                   |                                            |
|       | Nm                         | r/min               | mm            |      |            |     |     |      |     | Nm                | kg                                         |
| 00 FH | 569                        | 26 000              | 8             | 51   | 119        | 60  | 54  | 10,3 | 74  | 22                | 6,0                                        |
| 01 FH | 922                        | 23 000              | 8             | 55   | 137        | 72  | 63  | 11,0 | 81  | 41                | 9,1                                        |
| 02 FH | 1 710                      | 19 000              | 8             | 67   | 161        | 90  | 74  | 12,0 | 97  | 72                | 16,9                                       |
| 03 FH | 3 340                      | 17 000              | 8             | 72   | 180        | 109 | 80  | 14,0 | 104 | 160               | 21,6                                       |
| 04 FH | 6 210                      | 15 000              | 8             | 85   | 212        | 118 | 95  | 17,0 | 124 | 220               | 35,1                                       |
| 05 FH | 6 080                      | 11 600              | 8             | 111  | 276        | 153 | 112 | 17,5 | 161 | 220               | 65,1                                       |
| 10 FH | 8 240                      | 11 600              | 10            | 111  | 276        | 153 | 112 | 19,0 | 161 | 220               | 66,1                                       |
| 15 FH | 10 700                     | 10 300              | 10            | 133  | 308        | 172 | 134 | 19,0 | 193 | 440               | 107,8                                      |
| 20 FH | 17 800                     | 9 200               | 10            | 152  | 346        | 191 | 153 | 22,5 | 218 | 570               | 156,1                                      |
| 25 FH | 26 400                     | 8 500               | 16            | 165  | 375        | 223 | 165 | 28,0 | 240 | 1 100             | 211,8                                      |
| 30 FH | 33 400                     | 7 800               | 16            | 178  | 410        | 254 | 178 | 31,0 | 258 | 1 500             | 274,5                                      |
| 35 FH | 39 900                     | 7 200               | 25            | 187  | 445        | 270 | 188 | 31,0 | 272 | 1 700             | 333,3                                      |
| 40 FH | 46 300                     | 6 800               | 25            | 205  | 470        | 274 | 206 | 34,0 | 297 | 1 700             | 399,2                                      |
| 45 FH | 59 800                     | 6 200               | 45            | 231  | 511        | 287 | 231 | 35,5 | 334 | 1 700             | 525,3                                      |
| 50 FH | 74 700                     | 5 700               | 50            | 254  | 556        | 292 | 254 | 37,0 | 364 | 3 000             | 676,3                                      |
| 55 FH | 92 600                     | 5 400               | 50            | 263  | 587        | 311 | 263 | 37,5 | 382 | 3 500             | 803,4                                      |
| 60 FH | 107 000                    | 5 000               | 50            | 275  | 629        | 343 | 231 | 37,5 | 399 | 3 700             | 954,1                                      |
| 65 FH | 128 000                    | 4 800               | 50            | 289  | 654        | 356 | 254 | 37,5 | 419 | 4 000             | 1 095,3                                    |

<sup>1)</sup> Maximum rotational speed (r/min) is based on parallel misalignment no more than 2/1 000  
<sup>2)</sup> Rated torque is a maximum figure

## Disc couplings

### W8 FH – Floating shaft



| Size | Rated torque <sup>2)</sup><br>Nm | Speed <sup>1)</sup><br>r/min | Bore diameter<br>mm |      | Dimensions |                  |     |      |     | Tightening torque<br>Nm | Coupling weight<br>without bore and min. DBSE<br>kg |
|------|----------------------------------|------------------------------|---------------------|------|------------|------------------|-----|------|-----|-------------------------|-----------------------------------------------------|
|      |                                  |                              | D<br>Min.           | Max. | A          | BE <sup>4)</sup> | F   | G    | H   |                         |                                                     |
| 01FH | 3 840                            | 15 000                       | 8                   | 51   | 119        | 240              | 54  | 10,3 | 74  | 22                      | 6,0                                                 |
| 03FH | 7 120                            | 13 000                       | 8                   | 55   | 137        | 269              | 63  | 11,0 | 81  | 41                      | 9,1                                                 |
| 05FH | 8 970                            | 11 600                       | 8                   | 67   | 161        | 255              | 74  | 12,0 | 97  | 72                      | 16,9                                                |
| 10FH | 11 800                           | 11 600                       | 8                   | 72   | 180        | 258              | 80  | 14,0 | 104 | 160                     | 21,6                                                |
| 15FH | 15 400                           | 10 300                       | 8                   | 85   | 212        | 278              | 95  | 17,0 | 124 | 220                     | 35,1                                                |
| 20FH | 25 600                           | 9 200                        | 10                  | 111  | 276        | 283              | 112 | 17,5 | 161 | 220                     | 65,1                                                |
| 25FH | 37 800                           | 8 500                        | 16                  | 111  | 276        | 308              | 112 | 19,0 | 161 | 220                     | 66,1                                                |
| 30FH | 47 800                           | 7 800                        | 16                  | 133  | 308        | 319              | 134 | 19,0 | 193 | 440                     | 107,8                                               |
| 35FH | 57 100                           | 7 200                        | 25                  | 152  | 346        | 339              | 153 | 22,5 | 218 | 570                     | 156,1                                               |
| 40FH | 64 400                           | 6 800                        | 25                  | 165  | 375        | 342              | 165 | 28,0 | 240 | 1 100                   | 211,8                                               |
| 45FH | 83 700                           | 6 200                        | 45                  | 178  | 410        | 364              | 178 | 31,0 | 258 | 1 500                   | 274,5                                               |
| 50FH | 103 000                          | 5 700                        | 50                  | 187  | 445        | 365              | 188 | 31,0 | 272 | 1 700                   | 333,3                                               |
| 55FH | 128 000                          | 5 400                        | 50                  | 205  | 470        | 408              | 206 | 34,0 | 297 | 1 700                   | 399,2                                               |
| 60FH | 149 000                          | 5 000                        | 50                  | 231  | 511        | — <sup>3)</sup>  | 231 | 35,5 | 334 | 1 700                   | 525,3                                               |
| 65FH | 178 000                          | 4 800                        | 50                  | 254  | 556        | — <sup>3)</sup>  | 254 | 37,0 | 364 | 3 000                   | 676,3                                               |

<sup>1)</sup> Maximum rotational speed (r/min) is based on parallel misalignment no more than 2/1 000

<sup>2)</sup> Rated torque is a maximum figure

<sup>3)</sup> The actual BE value will be determined by the customer

<sup>4)</sup> For BE dimensions over 6 000 mm, please contact SKF

Floating shaft couplings should not be used with long overhang shafts

## SKF Flex couplings

SKF Flex couplings are designed to accommodate misalignment and shock loads and dampen vibration levels. These easy to install, maintenance-free couplings are available with either a machined-to-size or tapered bore.

Couplings with a tapered bore can be Face (F) mounted or Hub (H) mounted. The more versatile Reversible (R) design can be either face or hub mounted depending on the application. These couplings are also available with a tapered bushing.

SKF Flex couplings consist of 2 flanges and 1 tyre. The flanges are phosphate coated for improved corrosion resistance. The addition of a standard sized spacer flange can be used to accommodate applications where it is advantageous to move either shaft axially without disturbing driving or driven machines.

SKF Flex tyres are available in natural rubber compounds for applications ranging from -50 to +50 °C. Chloroprene rubber compounds should be used in applications where exposure to greases and oils are likely. These compounds can accommodate temperatures ranging from -15 to +70 °C. The chloroprene tyres should be used where fire-resistance and anti-static (F.R.A.S.) properties are required.

### Assembled coupling characteristics

| Coupling size | Maximum speed | Mass tyre | Inertia           | Torsional stiffness | Misalignment |          |       | Nominal torque | Max torque | Screw size | Clamping screw torque |
|---------------|---------------|-----------|-------------------|---------------------|--------------|----------|-------|----------------|------------|------------|-----------------------|
|               |               |           |                   |                     | Angular      | Parallel | Axial |                |            |            |                       |
| –             | r/min         | kg        | kg/m <sup>2</sup> | Nm/°                | °            | mm       |       | Nm             | –          | Nm         |                       |
| 40            | 4 500         | 0,1       | 0,00074           | 5                   | 4            | 1,1      | 1,3   | 24             | 64         | M6         | 15                    |
| 50            | 4 500         | 0,3       | 0,00115           | 13                  | 4            | 1,3      | 1,7   | 66             | 160        | M6         | 15                    |
| 60            | 4 000         | 0,5       | 0,0052            | 26                  | 4            | 1,6      | 2,0   | 127            | 318        | M6         | 15                    |
| 70            | 3 600         | 0,7       | 0,009             | 41                  | 4            | 1,9      | 2,3   | 250            | 487        | M8         | 24                    |
| 80            | 3 100         | 1,0       | 0,017             | 63                  | 4            | 2,1      | 2,6   | 375            | 759        | M8         | 24                    |
| 90            | 3 000         | 1,1       | 0,031             | 91                  | 4            | 2,4      | 3,0   | 500            | 1 096      | M10        | 40                    |
| 100           | 2 600         | 1,1       | 0,054             | 126                 | 4            | 2,6      | 3,3   | 675            | 1 517      | M10        | 40                    |
| 110           | 2 300         | 1,4       | 0,078             | 178                 | 4            | 2,9      | 3,7   | 875            | 2 137      | M10        | 40                    |
| 120           | 2 050         | 2,3       | 0,013             | 296                 | 4            | 3,2      | 4,0   | 1 330          | 3 547      | M12        | 50                    |
| 140           | 1 800         | 2,6       | 0,255             | 470                 | 4            | 3,7      | 4,6   | 2 325          | 5 642      | M12        | 55                    |
| 160           | 1 600         | 3,4       | 0,38              | 778                 | 4            | 4,2      | 5,3   | 3 770          | 9 339      | M16        | 80                    |
| 180           | 1 500         | 7,7       | 0,847             | 1 371               | 4            | 4,8      | 6,0   | 6 270          | 16 455     | M16        | 105                   |
| 200           | 1 300         | 8,0       | 1,281             | 1 959               | 4            | 5,3      | 6,6   | 9 325          | 23 508     | M16        | 120                   |
| 220           | 1 100         | 10,0      | 2,104             | 2 760               | 4            | 5,8      | 7,3   | 11 600         | 33 125     | M20        | 165                   |
| 250           | 1 000         | 15,0      | 3,505             | 3 562               | 4            | 6,6      | 8,2   | 14 675         | 42 740     | M20        | 165                   |

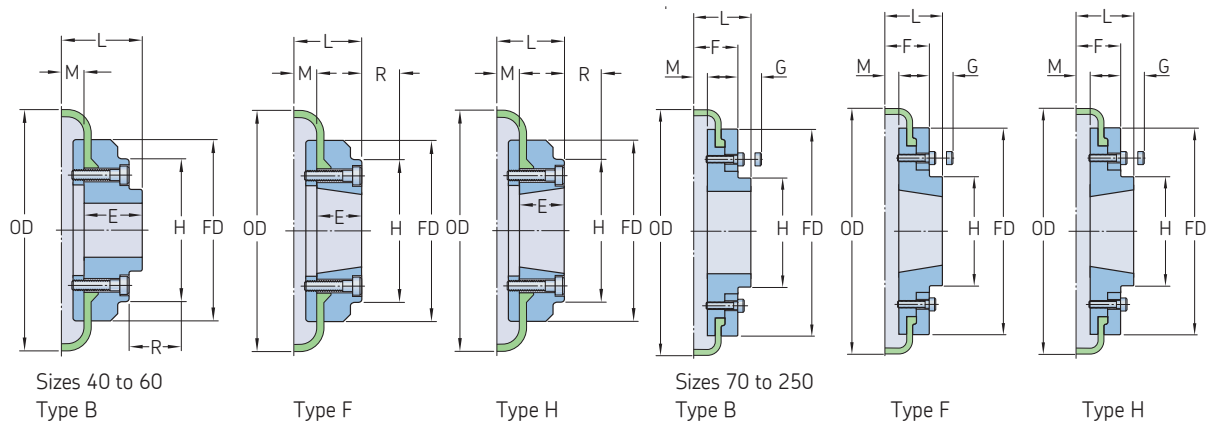
### Order data

| Coupling type     | Flanges       | Qty | Element          | Qty | Coupling bushing number | Qty | Spacer flange and shaft <sup>1)</sup> | Qty | Spacer bushing number | Qty |
|-------------------|---------------|-----|------------------|-----|-------------------------|-----|---------------------------------------|-----|-----------------------|-----|
| RSB both sides    | PHE F70RSBFLG | 2   | PHE F70NRTYRE or | 1   | –                       | –   | –                                     | –   | –                     | –   |
|                   | –             | –   | PHE F70FRTYRE    | –   | –                       | –   | –                                     | –   | –                     | –   |
| RSB/F combination | PHE F70RSBFLG | 1   | PHE F70NRTYRE or | 1   | –                       | –   | –                                     | –   | –                     | –   |
|                   | PHE F70FTBFLG | 1   | PHE F70FRTYRE    | –   | PHF TB2012X...MM        | 1   | PHE SM25...DBSE                       | 1   | PHF 2517X...MM        | 1   |
| RSB/H combination | PHE F70RSBFLG | 1   | PHE F70NRTYRE or | 1   | –                       | –   | –                                     | –   | –                     | –   |
|                   | PHE F70HTBFLG | 1   | PHE F70FRTYRE    | –   | PHF TB1610X...MM        | 1   | PHE SM25...DBSE                       | 1   | PHF 2517X...MM        | 1   |
| F/F combination   | PHE F70FTBFLG | 1   | PHE F70NRTYRE or | 1   | PHF TB2012X...MM        | 1   | PHE SM25...DBSE                       | 1   | PHF 2517X...MM        | 1   |
|                   | PHE F70HTBFLG | 1   | PHE F70FRTYRE    | –   | PHF TB2012X...MM        | 1   | –                                     | –   | –                     | –   |
| H/H combination   | PHE F70HTBFLG | 1   | PHE F70NRTYRE or | 1   | PHF TB1610X...MM        | 1   | PHE SM25...DBSE                       | 1   | PHF 2517X...MM        | 1   |
|                   | PHE F70HTBFLG | 1   | PHE F70FRTYRE    | –   | PHF TB1610X...MM        | 1   | –                                     | –   | –                     | –   |
| F/H combination   | PHE F70FTBFLG | 1   | PHE F70NRTYRE or | 1   | PHF TB1610X...MM        | 1   | PHE SM25...DBSE                       | 1   | PHF 2517X...MM        | 1   |
|                   | PHE F70HTBFLG | 1   | PHE F70FRTYRE    | –   | PHF TB2012X...MM        | 1   | –                                     | –   | –                     | –   |
| Reversible        | PHE F70RTBFLG | 2   | PHE F70NRTYRE    | 1   | PHF TB1610X...MM        | 2   | –                                     | –   | –                     | –   |

<sup>1)</sup> To complete designation, add distance between shaft ends. PHE SM25-100DBSE.

An SKF Flex coupling consists of 2 flanges and 1 tyre. An SKF Flex spacer coupling consists of 2 flanges, 1 tyre and 1 spacer (spacer part number consists of spacer shaft and rigid flange).

**SKF Flex couplings**  
SKF Flex flanges types B, F and H



| Size | Type | Bushing number | Bore |      | Dimensions Types F & H |     | Type B |     | Key screw | OD  | FD    | H   | F   | R <sup>1)</sup> | G <sup>2)</sup> | M    | Mass  | Inertia  | Designation    | Tyre designation |                | F.R.A.S |
|------|------|----------------|------|------|------------------------|-----|--------|-----|-----------|-----|-------|-----|-----|-----------------|-----------------|------|-------|----------|----------------|------------------|----------------|---------|
|      |      |                | Min. | Max. | L                      | E   | L      | E   |           |     |       |     |     |                 |                 |      |       |          |                | Natural          |                |         |
| mm   | -    | -              | mm   |      |                        |     |        |     |           |     |       |     |     |                 |                 |      |       |          |                |                  |                |         |
| 40   | B    | -              | 11   | 30   | -                      | -   | 33,0   | 22  | M5        | 104 | 82,0  | -   | -   | 29              | -               | 11,0 | 0,8   | 0,000074 | PHE F40RSBFLG  | PHE F40NRTYRE    | PHE F40FRTYRE  |         |
| 40   | F    | 1008           | 9    | 25   | 33,0                   | 22  | -      | -   | -         | 104 | 82,0  | -   | -   | 29              | -               | 11,0 | 0,8   | 0,000074 | PHE F40FTBFLG  | PHE F40NRTYRE    | PHE F40FRTYRE  |         |
| 40   | H    | 1008           | 9    | 25   | 33,0                   | 22  | -      | -   | -         | 104 | 82,0  | -   | -   | 29              | -               | 11,0 | 0,8   | 0,000074 | PHE F40HTBFLG  | PHE F40NRTYRE    | PHE F40FRTYRE  |         |
| 50   | B    | -              | 16   | 38   | -                      | -   | 45,0   | 32  | M5        | 133 | 100,0 | 79  | -   | 38              | -               | 12,5 | 1,2   | 0,000115 | PHE F50RSBFLG  | PHE F50NRTYRE    | PHE F50FRTYRE  |         |
| 50   | F    | 1210           | 11   | 32   | 37,5                   | 25  | -      | -   | -         | 133 | 100,0 | 79  | -   | 38              | -               | 12,5 | 1,2   | 0,000115 | PHE F50FTBFLG  | PHE F50NRTYRE    | PHE F50FRTYRE  |         |
| 50   | H    | 1210           | 11   | 32   | 37,5                   | 25  | -      | -   | -         | 133 | 100,0 | 79  | -   | 38              | -               | 12,5 | 1,2   | 0,000115 | PHE F50HTBFLG  | PHE F50NRTYRE    | PHE F50FRTYRE  |         |
| 60   | B    | -              | 16   | 45   | -                      | -   | 55,0   | 38  | M6        | 165 | 125,0 | 70  | -   | 38              | -               | 16,5 | 2,0   | 0,000520 | PHE F60RSBFLG  | PHE F60NRTYRE    | PHE F60FRTYRE  |         |
| 60   | F    | 1610           | 14   | 42   | 41,5                   | 25  | -      | -   | -         | 165 | 125,0 | 103 | -   | 38              | -               | 16,5 | 2,0   | 0,000520 | PHE F60FTBFLG  | PHE F60NRTYRE    | PHE F60FRTYRE  |         |
| 60   | H    | 1610           | 14   | 42   | 41,5                   | 25  | -      | -   | -         | 165 | 125,0 | 103 | -   | 38              | -               | 16,5 | 2,0   | 0,000520 | PHE F60HTBFLG  | PHE F60NRTYRE    | PHE F60FRTYRE  |         |
| 70   | B    | -              | 17   | 60   | -                      | -   | 47,0   | 35  | M10       | 187 | 142,0 | 80  | 50  | -               | 13              | 11,5 | 3,1   | 0,000900 | PHE F70RSBFLG  | PHE F70NRTYRE    | PHE F70FRTYRE  |         |
| 70   | F    | 2012           | 14   | 50   | 43,5                   | 32  | -      | -   | -         | 187 | 142,0 | 80  | 50  | 42              | 13              | 11,5 | 3,1   | 0,000900 | PHE F70FTBFLG  | PHE F70NRTYRE    | PHE F70FRTYRE  |         |
| 70   | H    | 1610           | 14   | 42   | 36,5                   | 25  | -      | -   | -         | 187 | 142,0 | 80  | 50  | 38              | 13              | 11,5 | 3,0   | 0,000900 | PHE F70HTBFLG  | PHE F70NRTYRE    | PHE F70FRTYRE  |         |
| 80   | B    | -              | 23   | 63   | -                      | -   | 55,0   | 42  | M10       | 211 | 165,0 | 98  | 54  | -               | 16              | 12,5 | 4,9   | 0,018000 | PHE F80RSBFLG  | PHE F80NRTYRE    | PHE F80FRTYRE  |         |
| 80   | F    | 2517           | 16   | 60   | 57,5                   | 45  | -      | -   | -         | 211 | 165,0 | 97  | 54  | 48              | 16              | 12,5 | 4,9   | 0,018000 | PHE F80FTBFLG  | PHE F80NRTYRE    | PHE F80FRTYRE  |         |
| 80   | H    | 2012           | 14   | 50   | 44,5                   | 32  | -      | -   | -         | 211 | 165,0 | 98  | 54  | 32              | 16              | 12,5 | 4,6   | 0,017000 | PHE F80HTBFLG  | PHE F80NRTYRE    | PHE F80FRTYRE  |         |
| 90   | B    | -              | 30   | 75   | -                      | -   | 62,5   | 49  | M12       | 235 | 187,0 | 112 | 60  | -               | 16              | 13,5 | 7,1   | 0,032000 | PHE F90RSBFLG  | PHE F90NRTYRE    | PHE F90FRTYRE  |         |
| 90   | F    | 2517           | 16   | 60   | 58,5                   | 45  | -      | -   | -         | 235 | 187,0 | 108 | 60  | 48              | 16              | 13,5 | 7,0   | 0,031000 | PHE F90FTBFLG  | PHE F90NRTYRE    | PHE F90FRTYRE  |         |
| 90   | H    | 2517           | 16   | 60   | 58,5                   | 45  | -      | -   | -         | 235 | 187,0 | 108 | 60  | 48              | 16              | 13,5 | 7,0   | 0,031000 | PHE F90HTBFLG  | PHE F90NRTYRE    | PHE F90FRTYRE  |         |
| 100  | B    | -              | 30   | 80   | -                      | -   | 69,5   | 56  | M12       | 254 | 214,0 | 125 | 62  | -               | 16              | 13,5 | 9,9   | 0,055000 | PHE F100RSBFLG | PHE F100NRTYRE   | PHE F100FRTYRE |         |
| 100  | F    | 3020           | 25   | 75   | 64,5                   | 51  | -      | -   | -         | 254 | 214,0 | 120 | 62  | 55              | 16              | 13,5 | 9,9   | 0,055000 | PHE F100FTBFLG | PHE F100NRTYRE   | PHE F100FRTYRE |         |
| 100  | H    | 2517           | 16   | 60   | 58,5                   | 45  | -      | -   | -         | 254 | 214,0 | 113 | 62  | 48              | 16              | 13,5 | 9,4   | 0,054000 | PHE F100HTBFLG | PHE F100NRTYRE   | PHE F100FRTYRE |         |
| 110  | B    | -              | 30   | 90   | -                      | -   | 75,5   | 63  | M12       | 279 | 232,0 | 128 | 62  | -               | 16              | 12,5 | 12,5  | 0,081000 | PHE F110RSBFLG | PHE F110NRTYRE   | PHE F110FRTYRE |         |
| 110  | F    | 3020           | 25   | 75   | 63,5                   | 51  | -      | -   | -         | 279 | 232,0 | 134 | 62  | 55              | 16              | 12,5 | 11,7  | 0,078000 | PHE F110FTBFLG | PHE F110NRTYRE   | PHE F110FRTYRE |         |
| 110  | H    | 3020           | 25   | 75   | 63,5                   | 51  | -      | -   | -         | 279 | 232,0 | 134 | 62  | 55              | 16              | 12,5 | 11,7  | 0,078000 | PHE F110HTBFLG | PHE F110NRTYRE   | PHE F110FRTYRE |         |
| 120  | B    | -              | 36   | 100  | -                      | -   | 84,5   | 70  | M16       | 314 | 262,0 | 143 | 67  | -               | 16              | 14,5 | 16,9  | 0,137000 | PHE F120RSBFLG | PHE F120NRTYRE   | PHE F120FRTYRE |         |
| 120  | F    | 3525           | 35   | 100  | 79,5                   | 65  | -      | -   | -         | 314 | 262,0 | 140 | 67  | 67              | 16              | 14,5 | 16,5  | 0,137000 | PHE F120FTBFLG | PHE F120NRTYRE   | PHE F120FRTYRE |         |
| 120  | H    | 3020           | 25   | 75   | 65,5                   | 51  | -      | -   | -         | 314 | 262,0 | 140 | 67  | 55              | 16              | 14,5 | 15,9  | 0,130000 | PHE F120HTBFLG | PHE F120NRTYRE   | PHE F120FRTYRE |         |
| 140  | B    | -              | 60   | 125  | -                      | -   | 110,5  | 94  | M20       | 359 | 312,5 | 180 | 73  | -               | 17              | 16,0 | 22,2  | 0,254000 | PHE F140RSBFLG | PHE F140NRTYRE   | PHE F140FRTYRE |         |
| 140  | F    | 3525           | 35   | 100  | 81,0                   | 65  | -      | -   | -         | 359 | 312,5 | 180 | 73  | 67              | 17              | 16,0 | 22,3  | 0,255000 | PHE F140FTBFLG | PHE F140NRTYRE   | PHE F140FRTYRE |         |
| 140  | H    | 3525           | 35   | 100  | 81,0                   | 65  | -      | -   | -         | 359 | 312,5 | 180 | 73  | 67              | 17              | 16,0 | 22,3  | 0,255000 | PHE F140HTBFLG | PHE F140NRTYRE   | PHE F140FRTYRE |         |
| 160  | B    | -              | 65   | 140  | -                      | -   | 117,0  | 102 | M20       | 402 | 348,0 | 197 | 78  | -               | 19              | 15,0 | 35,8  | 0,469000 | PHE F160RSBFLG | PHE F160NRTYRE   | PHE F160FRTYRE |         |
| 160  | F    | 4030           | 40   | 115  | 91,0                   | 76  | -      | -   | -         | 402 | 348,0 | 197 | 78  | 80              | 19              | 15,0 | 32,5  | 0,380000 | PHE F160FTBFLG | PHE F160NRTYRE   | PHE F160FRTYRE |         |
| 160  | H    | 4030           | 40   | 115  | 91,0                   | 76  | -      | -   | -         | 402 | 348,0 | 197 | 78  | 80              | 19              | 15,0 | 32,5  | 0,380000 | PHE F160HTBFLG | PHE F160NRTYRE   | PHE F160FRTYRE |         |
| 180  | B    | -              | 70   | 150  | -                      | -   | 137,0  | 114 | M20       | 470 | 396,0 | 205 | 94  | -               | 19              | 23,0 | 49,1  | 0,871000 | PHE F180RSBFLG | PHE F180NRTYRE   | PHE F180FRTYRE |         |
| 180  | F    | 4535           | 55   | 125  | 112,0                  | 89  | -      | -   | -         | 470 | 396,0 | 205 | 94  | 89              | 19              | 23,0 | 42,2  | 0,847000 | PHE F180FTBFLG | PHE F180NRTYRE   | PHE F180FRTYRE |         |
| 180  | H    | 4535           | 55   | 125  | 112,0                  | 89  | -      | -   | -         | 470 | 396,0 | 205 | 94  | 89              | 19              | 23,0 | 42,2  | 0,847000 | PHE F180HTBFLG | PHE F180NRTYRE   | PHE F180FRTYRE |         |
| 200  | B    | -              | 75   | 150  | -                      | -   | 138,0  | 114 | M20       | 508 | 432,0 | 205 | 103 | -               | 19              | 24,0 | 58,2  | 1,301000 | PHE F200RSBFLG | PHE F200NRTYRE   | PHE F200FRTYRE |         |
| 200  | F    | 4535           | 55   | 125  | 113,0                  | 89  | -      | -   | -         | 508 | 432,0 | 205 | 103 | 89              | 19              | 24,0 | 53,6  | 1,281000 | PHE F200FTBFLG | PHE F200NRTYRE   | PHE F200FRTYRE |         |
| 200  | H    | 4535           | 55   | 125  | 113,0                  | 89  | -      | -   | -         | 508 | 432,0 | 205 | 103 | 89              | 19              | 24,0 | 53,6  | 1,281000 | PHE F200HTBFLG | PHE F200NRTYRE   | PHE F200FRTYRE |         |
| 220  | B    | -              | 80   | 160  | -                      | -   | 154,5  | 127 | M20       | 562 | 472,0 | 224 | 118 | -               | 20              | 27,5 | 79,6  | 2,142000 | PHE F220RSBFLG | PHE F220NRTYRE   | PHE F220FRTYRE |         |
| 220  | F    | 5040           | 70   | 125  | 129,5                  | 102 | -      | -   | -         | 562 | 472,0 | 224 | 118 | 92              | 20              | 27,5 | 72,0  | 2,104000 | PHE F220FTBFLG | PHE F220NRTYRE   | PHE F220FRTYRE |         |
| 220  | H    | 5040           | 70   | 125  | 129,5                  | 102 | -      | -   | -         | 562 | 472,0 | 224 | 118 | 92              | 20              | 27,5 | 72,0  | 2,104000 | PHE F220HTBFLG | PHE F220NRTYRE   | PHE F220FRTYRE |         |
| 250  | B    | -              | 90   | 190  | -                      | -   | 161,5  | 132 | M20       | 628 | 532,0 | 254 | 125 | -               | 25              | 29,5 | 104,0 | 3,505000 | PHE F250RSBFLG | PHE F250NRTYRE   | PHE F250FRTYRE |         |

<sup>1)</sup> The clearance required to allow tightening of the clamping screws and the taper bushing. Use of a shortened wrench will reduce this dimension.

<sup>2)</sup> The amount by which the clamping screws need to be withdrawn to release the tyre.

For coupling sizes 70, 80, 100 and 120, "F" flanges require a larger bushing than "H" flanges.

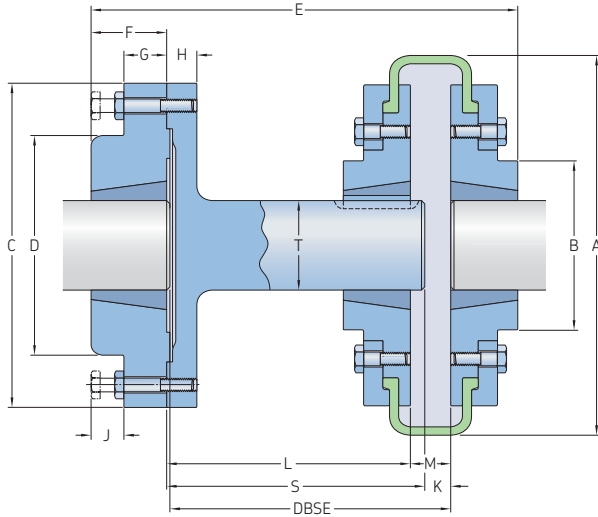
Mass and inertia figures are for a single flange with midrange bore and include clamping ring, screws, washers and half tyre.

## SKF Flex spacer coupling

The SKF Flex coupling spacer is used to join two shafts ends that cannot be positioned close enough to allow use of just a coupling.

The spacer also allows removal of a shaft without the need to move either the driving or the driven machine. For example, this allows easy and fast replacement of impellers in pump applications.

| Coupling size | Distance between shaft ends (DBSE)<br>Nominal |      | Spacer bushing<br>number | Bore |      | Coupling bushing<br>number | Bore |      | Designation      |
|---------------|-----------------------------------------------|------|--------------------------|------|------|----------------------------|------|------|------------------|
|               | Min.                                          | Max. |                          | Min. | Max. |                            | Min. | Max. |                  |
| mm            |                                               |      |                          |      |      |                            |      |      |                  |
| 40            | 80                                            | 90   | 1210                     | 11   | 32   | 1008                       | 9    | 25   | PHE SM12-80DBSE  |
| 40            | 100                                           | 110  | 1210                     | 11   | 32   | 1008                       | 9    | 25   | PHE SM12-100DBSE |
| 40            | 100                                           | 113  | 1615                     | 14   | 42   | 1008                       | 9    | 25   | PHE SM16-100DBSE |
| 40            | 140                                           | 150  | 1615                     | 14   | 42   | 1008                       | 9    | 25   | PHE SM16-140DBSE |
| 50            | 100                                           | 116  | 1615                     | 14   | 42   | 1210                       | 11   | 32   | PHE SM16-100DBSE |
| 50            | 140                                           | 156  | 1615                     | 14   | 42   | 1210                       | 11   | 32   | PHE SM16-140DBSE |
| 60            | 100                                           | 124  | 1615                     | 14   | 42   | 1610                       | 14   | 42   | PHE SM16-100DBSE |
| 60            | 140                                           | 164  | 1615                     | 14   | 42   | 1610                       | 14   | 42   | PHE SM16-140DBSE |
| 70            | 100                                           | 114  | 2517                     | 16   | 60   | 2012                       | 14   | 50   | PHE SM25-100DBSE |
| 70            | 140                                           | 154  | 2517                     | 16   | 60   | 2012                       | 14   | 50   | PHE SM25-140DBSE |
| 70            | 180                                           | 194  | 2517                     | 16   | 60   | 2012                       | 14   | 50   | PHE SM25-180DBSE |
| 80            | 100                                           | 117  | 2517                     | 16   | 60   | 2517                       | 16   | 60   | PHE SM25-100DBSE |
| 80            | 140                                           | 157  | 2517                     | 16   | 60   | 2517                       | 16   | 60   | PHE SM25-140DBSE |
| 80            | 180                                           | 197  | 2517                     | 16   | 60   | 2517                       | 16   | 60   | PHE SM25-180DBSE |
| 90            | 140                                           | 158  | 2517                     | 16   | 60   | 2517                       | 16   | 60   | PHE SM25-140DBSE |
| 90            | 180                                           | 198  | 2517                     | 16   | 60   | 2517                       | 16   | 60   | PHE SM25-180DBSE |
| 100           | 140                                           | 158  | 3020                     | 25   | 75   | 3020                       | 25   | 75   | PHE SM30-140DBSE |
| 100           | 180                                           | 198  | 3020                     | 25   | 75   | 3020                       | 25   | 75   | PHE SM30-180DBSE |
| 110           | 140                                           | 156  | 3020                     | 25   | 75   | 3020                       | 25   | 75   | PHE SM30-140DBSE |
| 110           | 180                                           | 196  | 3020                     | 25   | 75   | 3020                       | 25   | 75   | PHE SM30-180DBSE |
| 120           | 140                                           | 160  | 3525                     | 35   | 100  | 3525                       | 35   | 100  | PHE SM35-140DBSE |
| 120           | 180                                           | 200  | 3525                     | 35   | 100  | 3525                       | 35   | 100  | PHE SM35-180DBSE |
| 140           | 140                                           | 163  | 3525                     | 35   | 100  | 3525                       | 35   | 100  | PHE SM35-140DBSE |
| 140           | 180                                           | 203  | 3525                     | 35   | 100  | 3525                       | 35   | 100  | PHE SM35-180DBSE |



| Coupling size    | Dimensions |     |     |     |     |    |    |    |    |    |     |    |     |    | Designation      |
|------------------|------------|-----|-----|-----|-----|----|----|----|----|----|-----|----|-----|----|------------------|
|                  | A          | B   | C   | D   | E   | F  | G  | H  | J  | K  | L   | M  | S   | T  |                  |
| mm               |            |     |     |     |     |    |    |    |    |    |     |    |     |    | -                |
| 40               | 104        | 82  | 118 | 83  | 134 | 25 | 14 | 15 | 14 | 6  | 65  | 22 | 77  | 25 | PHE SM12-80DBSE  |
| 40               | 104        | 82  | 118 | 83  | 140 | 25 | 14 | 15 | 14 | 22 | 77  | 22 | 77  | 25 | PHE SM12-100DBSE |
| 40 <sup>1)</sup> | 104        | 82  | 127 | 80  | 157 | 38 | 18 | 15 | 14 | 9  | 88  | 22 | 94  | 32 | PHE SM16-100DBSE |
| 40 <sup>1)</sup> | 104        | 82  | 127 | 80  | 187 | 38 | 18 | 15 | 14 | 9  | 128 | 22 | 134 | 32 | PHE SM16-140DBSE |
| 50               | 133        | 79  | 127 | 80  | 160 | 38 | 18 | 15 | 14 | 9  | 85  | 25 | 94  | 32 | PHE SM16-100DBSE |
| 50               | 133        | 79  | 127 | 80  | 200 | 38 | 18 | 15 | 14 | 9  | 125 | 25 | 134 | 32 | PHE SM16-140DBSE |
| 60               | 165        | 103 | 127 | 80  | 161 | 38 | 18 | 15 | 14 | 9  | 78  | 33 | 94  | 32 | PHE SM16-100DBSE |
| 60               | 165        | 103 | 127 | 80  | 201 | 38 | 18 | 15 | 14 | 9  | 118 | 33 | 134 | 32 | PHE SM16-140DBSE |
| 70 <sup>2)</sup> | 187        | 80  | 178 | 123 | 180 | 45 | 22 | 16 | 14 | 9  | 80  | 23 | 94  | 48 | PHE SM25-100DBSE |
| 70 <sup>2)</sup> | 187        | 80  | 178 | 123 | 220 | 45 | 22 | 16 | 14 | 9  | 120 | 23 | 174 | 48 | PHE SM25-140DBSE |
| 70 <sup>2)</sup> | 187        | 80  | 178 | 123 | 260 | 45 | 22 | 16 | 14 | 9  | 160 | 23 | 174 | 48 | PHE SM25-180DBSE |
| 80               | 211        | 95  | 178 | 123 | 193 | 45 | 22 | 16 | 14 | 9  | 78  | 25 | 94  | 48 | PHE SM25-100DBSE |
| 80               | 211        | 95  | 178 | 123 | 233 | 45 | 22 | 16 | 14 | 9  | 118 | 25 | 134 | 48 | PHE SM25-140DBSE |
| 80               | 211        | 95  | 178 | 123 | 273 | 45 | 22 | 16 | 14 | 9  | 158 | 25 | 174 | 48 | PHE SM25-180DBSE |
| 90               | 235        | 108 | 178 | 123 | 233 | 45 | 22 | 16 | 14 | 9  | 116 | 27 | 134 | 48 | PHE SM25-140DBSE |
| 90               | 235        | 108 | 178 | 123 | 273 | 45 | 22 | 16 | 14 | 9  | 156 | 27 | 174 | 48 | PHE SM25-180DBSE |
| 100              | 254        | 120 | 216 | 146 | 245 | 51 | 29 | 20 | 17 | 9  | 116 | 27 | 134 | 60 | PHE SM30-140DBSE |
| 100              | 254        | 120 | 216 | 146 | 285 | 51 | 29 | 20 | 17 | 9  | 156 | 27 | 174 | 60 | PHE SM30-180DBSE |
| 110              | 279        | 134 | 216 | 146 | 245 | 51 | 29 | 20 | 17 | 9  | 118 | 25 | 134 | 60 | PHE SM30-140DBSE |
| 110              | 279        | 134 | 216 | 146 | 285 | 51 | 29 | 20 | 17 | 9  | 158 | 25 | 174 | 60 | PHE SM30-180DBSE |
| 120              | 314        | 140 | 248 | 178 | 272 | 63 | 34 | 20 | 17 | 9  | 114 | 29 | 134 | 80 | PHE SM35-140DBSE |
| 120              | 314        | 140 | 248 | 178 | 312 | 63 | 34 | 20 | 17 | 9  | 154 | 29 | 174 | 80 | PHE SM35-180DBSE |
| 140              | 359        | 178 | 248 | 178 | 271 | 63 | 34 | 20 | 17 | 9  | 111 | 27 | 134 | 80 | PHE SM35-140DBSE |
| 140              | 359        | 178 | 248 | 178 | 312 | 63 | 34 | 20 | 17 | 9  | 151 | 27 | 174 | 80 | PHE SM35-180DBSE |

<sup>1)</sup> F40 "B" Flange must be used to fit spacer shaft  
<sup>2)</sup> "F" Flange must be used to fit spacer shaft

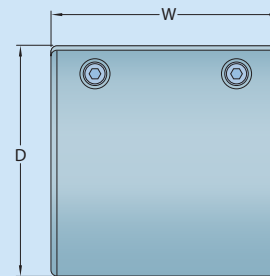
## Chain couplings

Chain couplings are able to transmit higher torque than their shafts, making them ideal for high torque applications. Available with a pilot bore, finished bore or tapered bushing (face or hub), flanges are linked together with duplex roller chains enabling them to accommodate up to 2 degrees of misalignment.

To provide maximum service life and reliability, particularly for high speed applications, SKF recommends fitting all chain couplings with a cover and lubricating them properly. If a chain coupling is to be subjected to reversing operations, shock or pulsating loads, or other severe operating conditions, select a coupling one size larger than normal.

### Coupling covers

| Cover size                  | Aluminium |       | Weight | Plastic |       | Weight |
|-----------------------------|-----------|-------|--------|---------|-------|--------|
|                             | D         | W     |        | D       | W     |        |
| –                           | mm        |       | kg     | mm      |       | kg     |
| <b>IS0816</b> <sup>1)</sup> | 101,6     | 50,8  | 0,42   | 101,6   | 58,7  | 0,90   |
| <b>IS1016</b> <sup>1)</sup> | 130,2     | 60,3  | 0,59   | 130,2   | 66,7  | 1,32   |
| <b>IS1018</b> <sup>1)</sup> | 130,2     | 60,3  | 0,59   | 130,2   | 66,7  | 1,32   |
| <b>IS1218</b> <sup>1)</sup> | 161,9     | 74,6  | 1,20   | 175,0   | 77,8  | 1,98   |
| <b>IS1220</b> <sup>1)</sup> | 161,9     | 74,6  | 1,20   | 175,0   | 77,8  | 1,98   |
| <b>IS1222</b> <sup>1)</sup> | 208,0     | 101,6 | 1,45   | 175,0   | 77,8  | 2,22   |
| <b>IS1618</b> <sup>1)</sup> | 208,0     | 101,6 | 1,45   | 210,0   | 106,0 | 2,22   |
| <b>IS1620</b> <sup>1)</sup> | 208,0     | 101,6 | 1,45   | 210,0   | 106,0 | 2,22   |
| <b>IS2018</b>               | 257,2     | 133,4 | 4,80   | 238,1   | 150,8 | 3,97   |
| <b>IS2020</b>               | 257,2     | 133,4 | 4,80   | 257,2   | 133,4 | 5,74   |
| <b>IS2418</b>               | 288,9     | 187,3 | 8,10   | 288,9   | 187,3 | 7,47   |
| <b>IS2422</b>               | 336,6     | 201,6 | 9,20   | 336,6   | 201,6 | 8,85   |



<sup>1)</sup> Will be supplied in plastic unless otherwise specified

### Order data

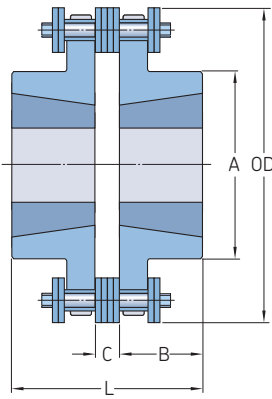
| Size        | Hub           |     |                   | Chain         |                   |        |                             |     |        | Covers         |     |               |   |                 |   |
|-------------|---------------|-----|-------------------|---------------|-------------------|--------|-----------------------------|-----|--------|----------------|-----|---------------|---|-----------------|---|
|             | Plain Bore    | Qty | FTB <sup>1)</sup> | Qty           | HTB <sup>1)</sup> | Qty    | Bored to size <sup>2)</sup> | Qty | Qty    | Qty            | Qty |               |   |                 |   |
| <b>816</b>  | PHE IS0816RSB | 2   | and/or            | PHE IS0816FTB | 2                 | and/or | PHE IS0816HTB               | 2   | and/or | PHE IS0816X... | 2   | PHE IS0816CHN | 1 | PHE IS0816COVER | 1 |
| <b>1016</b> | PHE IS1016RSB | 2   | and/or            | –             | 2                 | and/or | –                           | 2   | and/or | PHE IS1016X... | 2   | PHE IS1016CHN | 1 | PHE IS1016COVER | 1 |
| <b>1018</b> | PHE IS1018RSB | 2   | and/or            | PHE IS1018FTB | 2                 | and/or | PHE IS1018HTB               | 2   | and/or | PHE IS1018X... | 2   | PHE IS1018CHN | 1 | PHE IS1018COVER | 1 |
| <b>1218</b> | PHE IS1218RSB | 2   | and/or            | –             | 2                 | and/or | –                           | 2   | and/or | PHE IS1218X... | 2   | PHE IS1218CHN | 1 | PHE IS1218COVER | 1 |
| <b>1220</b> | PHE IS1220RSB | 2   | and/or            | PHE IS1220FTB | 2                 | and/or | PHE IS1220HTB               | 2   | and/or | PHE IS1220X... | 2   | PHE IS1220CHN | 1 | PHE IS1220COVER | 1 |
| <b>1222</b> | PHE IS1222RSB | 2   | and/or            | –             | 2                 | and/or | –                           | 2   | and/or | PHE IS1222X... | 2   | PHE IS1222CHN | 1 | PHE IS1222COVER | 1 |
| <b>1618</b> | PHE IS1618RSB | 2   | and/or            | –             | 2                 | and/or | –                           | 2   | and/or | PHE IS1618X... | 2   | PHE IS1618CHN | 1 | PHE IS1618COVER | 1 |
| <b>1620</b> | PHE IS1620RSB | 2   | and/or            | PHE IS1620FTB | 2                 | and/or | PHE IS1620HTB               | 2   | and/or | PHE IS1620X... | 2   | PHE IS1620CHN | 1 | PHE IS1620COVER | 1 |
| <b>2018</b> | PHE IS2018RSB | 2   | and/or            | –             | 2                 | and/or | –                           | 2   | and/or | PHE IS2018X... | 2   | PHE IS2018CHN | 1 | PHE IS2018COVER | 1 |
| <b>2020</b> | PHE IS2020RSB | 2   | and/or            | PHE IS2020FTB | 2                 | and/or | PHE IS2020HTB               | 2   | and/or | PHE IS2020X... | 2   | PHE IS2020CHN | 1 | PHE IS2020COVER | 1 |
| <b>2418</b> | PHE IS2418RSB | 2   | and/or            | –             | 2                 | and/or | –                           | 2   | and/or | PHE IS2418X... | 2   | PHE IS2418CHN | 1 | PHE IS2418COVER | 1 |
| <b>2422</b> | PHE IS2422RSB | 2   | and/or            | –             | 2                 | and/or | –                           | 2   | and/or | PHE IS2422X... | 2   | PHE IS2422CHN | 1 | PHE IS2422COVER | 1 |

A complete chain coupling consists of: 2 hubs, 1 chain and 1 cover.

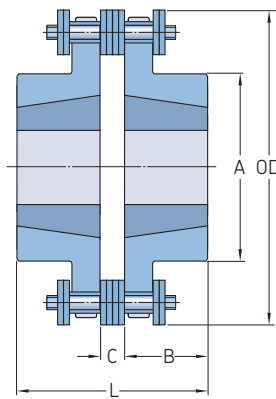
<sup>1)</sup> Following chain coupling taper bush assembly configurations are possible: 2 hubs HTB or 2 hubs FTB or 1 hub HTB and 1 hub FTB.

<sup>2)</sup> To complete bored to size designation, add bore size. For example: PHE IS1016X22MM designates hub size IS1016 with a 22 mm bore.

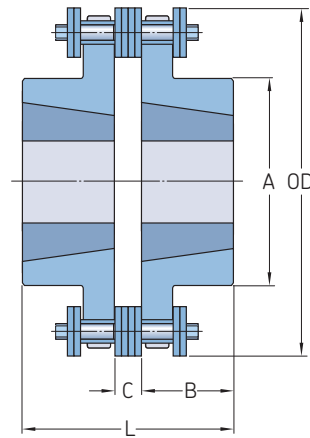
# Chain couplings



Assembly configuration HH



Assembly configuration FF



Assembly configuration FH

| Coupling size | Bushing number | Bore         |               | Dimensions     |                |              |                |                | Mass          | Speed          | Nominal torque | Chain mass   | Hub designation    |                    |                    | Bored to size |                |
|---------------|----------------|--------------|---------------|----------------|----------------|--------------|----------------|----------------|---------------|----------------|----------------|--------------|--------------------|--------------------|--------------------|---------------|----------------|
|               |                | Min.         | Max.          | A              | B              | C            | L              | OD             |               |                |                |              | Plain bore         | FTB                | HTB                |               |                |
| -             | -              | mm           |               |                |                |              |                |                | kg            | r/min          | Nm             | kg           | -                  |                    |                    |               |                |
| 0816          | -<br>1108      | 15,9<br>12,7 | 23,8<br>28,6  | 50,0<br>50,0   | 28,96<br>22,20 | 7,1<br>7,1   | 65,0<br>51,6   | 77,0<br>77,0   | 0,45<br>0,41  | 5 000<br>5 000 | 294<br>294     | 0,23<br>0,23 | PHE IS0816RSB<br>- | -<br>PHE IS0816FTB | -<br>PHE IS0816HTB | -             | PHE IS0816X... |
| 1016          | -              | 15,9         | 42,9          | 63,5           | 36,88          | 9,5          | 83,3           | 96,0           | 1,00          | 4 000          | 559            | 0,54         | PHE IS1016RSB      | -                  | -                  | -             | PHE IS1016X... |
| 1018          | -<br>1610      | 19,1<br>12,7 | 50,8<br>41,3  | 75,4<br>75,4   | 43,26<br>25,40 | 9,5<br>9,5   | 87,1<br>60,3   | 106,4<br>106,4 | 1,59<br>0,50  | 3 600<br>3 600 | 706<br>706     | 0,59<br>0,59 | PHE IS1018RSB<br>- | -<br>PHE IS1018FTB | -<br>PHE IS1018HTB | -             | PHE IS1018X... |
| 1218          | -              | 25,4         | 61,9          | 88,9           | 47,60          | 11,1         | 106,3          | 127,0          | 2,27          | 3 000          | 1 333          | 1,00         | PHE IS1218RSB      | -                  | -                  | -             | PHE IS1218X... |
| 1220          | -<br>2012      | 28,6<br>12,7 | 69,9<br>50,8  | 98,4<br>98,4   | 50,80<br>31,80 | 11,1<br>11,1 | 112,7<br>74,6  | 139,7<br>139,7 | 2,95<br>1,23  | 2 500<br>2 500 | 1 559<br>1 559 | 1,18<br>1,18 | PHE IS1220<br>-    | -<br>PHE IS1220FTB | -<br>PHE IS1220HTB | -             | PHE IS1220X... |
| 1222          | -              | 28,6         | 76,2          | 114,3          | 54,00          | 11,1         | 119,1          | 151,2          | 4,31          | 2 500          | 1 794          | 1,23         | PHE IS1222RSB      | -                  | -                  | -             | PHE IS1222X... |
| 1618          | -              | 28,6         | 79,4          | 115,9          | 60,70          | 14,7         | 136,1          | 169,1          | 4,99          | 2 000          | 2 961          | 2,40         | PHE IS1618RSB      | -                  | -                  | -             | PHE IS1618X... |
| 1620          | -<br>3020      | 38,1<br>23,8 | 90,5<br>76,2  | 136,5<br>136,5 | 66,10<br>50,00 | 14,7<br>14,7 | 146,9<br>116,3 | 185,3<br>185,3 | 7,40<br>2,77  | 2 000<br>2 000 | 3 579<br>3 579 | 2,68<br>2,68 | PHE IS1620RSB<br>- | -<br>PHE IS1620FTB | -<br>PHE IS1620HTB | -             | PHE IS1620X... |
| 2018          | -              | 38,1         | 98,4          | 144,5          | 70,90          | 18,3         | 160,1          | 211,5          | 9,21          | 1 800          | 4 981          | 4,45         | PHE IS2018RSB      | -                  | -                  | -             | PHE IS2018X... |
| 2020          | -<br>3535      | 38,1<br>30,2 | 117,5<br>88,9 | 170,7<br>170,7 | 79,80<br>88,90 | 18,3<br>18,3 | 177,9<br>196,1 | 231,8<br>231,8 | 14,43<br>8,62 | 1 800<br>1 800 | 6 688<br>6 688 | 4,95<br>4,95 | PHE IS2020RSB<br>- | -<br>PHE IS2020FTB | -<br>PHE IS2020HTB | -             | PHE IS2020X... |
| 2418          | -              | 50,8         | 119,1         | 171,5          | 88,30          | 21,8         | 198,4          | 254,0          | 16,70         | 1 500          | 10 032         | 7,85         | PHE IS2418RSB      | -                  | -                  | -             | PHE IS2418X... |
| 2422          | -              | 50,8         | 155,6         | 222,3          | 102,10         | 21,8         | 226,0          | 302,0          | 31,76         | 1 200          | 12 993         | 9,62         | PHE IS2422RSB      | -                  | -                  | -             | PHE IS2422X... |



## Rigid couplings

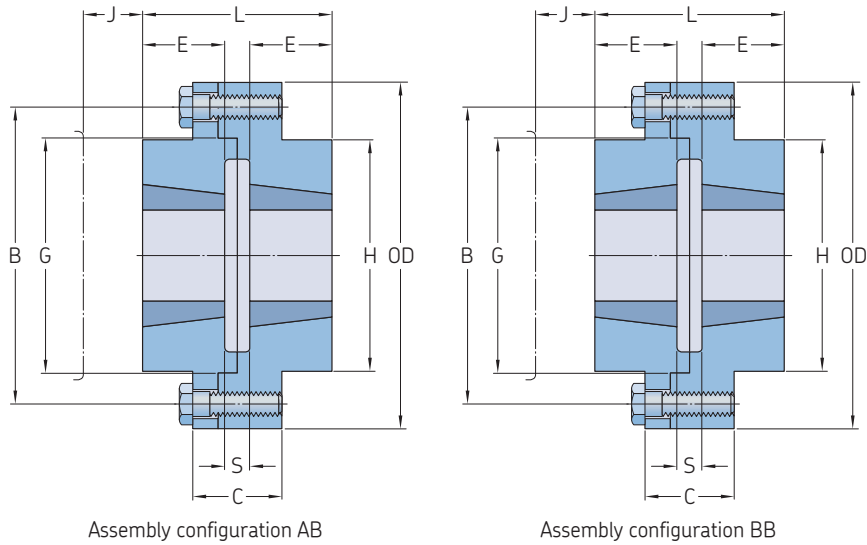
Taper bush rigid couplings provide a convenient method of rigidly connecting ends of shafts. Taper bushes permit easier and quicker fixing to the shafts with the firmness of a shrunk on fit. These couplings have a fully machined male and female flange. The male flange can have the bushing fitted from the hub side A (MH) or from the flange side B (H); the female flange (F) always has the bushing fitted from the flange side B. This gives two possible coupling assemblies: AB and BB. When connecting horizontal shafts, the most convenient assembly should be chosen. For connecting vertical shafts, use assembly BB only.

### Order data

| Coupling assembly | Male        | Qty        | Female     | Qty        |   |
|-------------------|-------------|------------|------------|------------|---|
| A/B               | PHE R12MHTB | 1          | PHE R12FTB | 1          |   |
|                   | PHE R16MHTB | 1          | PHE R16FTB | 1          |   |
|                   | PHE R25MHTB | 1          | PHE R25FTB | 1          |   |
|                   | PHE R30MHTB | 1          | PHE R30FTB | 1          |   |
|                   | PHE R35MHTB | 1          | PHE R35FTB | 1          |   |
|                   | PHE R40MHTB | 1          | PHE R40FTB | 1          |   |
|                   | PHE R45MHTB | 1          | PHE R45FTB | 1          |   |
|                   | PHE R50MHTB | 1          | PHE R45FTB | 1          |   |
|                   | B/B         | PHE R12HTB | 1          | PHE R12FTB | 1 |
|                   |             | PHE R16HTB | 1          | PHE R16FTB | 1 |
|                   |             | PHE R25HTB | 1          | PHE R25FTB | 1 |
|                   |             | PHE R30HTB | 1          | PHE R30FTB | 1 |
| PHE R35HTB        |             | 1          | PHE R35FTB | 1          |   |
| PHE R40HTB        |             | 1          | PHE R40FTB | 1          |   |
| PHE R45HTB        |             | 1          | PHE R45FTB | 1          |   |
| PHE R50HTB        |             | 1          | PHE R50FTB | 1          |   |

A complete coupling consists of one male and one female flange.  
 Example: Coupling assembly AB PHE R12MHTB and PHE R12FTB  
 Coupling assembly BB PHE R12HTB and PHE R12FTB

## Rigid couplings



| Coupling size | Bushing data   |      | Dimensions |    |     |     |     |     |                 |                 |     | Mass <sup>3)</sup> |
|---------------|----------------|------|------------|----|-----|-----|-----|-----|-----------------|-----------------|-----|--------------------|
|               | Bushing number | Bore | D          | C  | E   | H   | G   | B   | S <sup>1)</sup> | J <sup>2)</sup> | L   |                    |
| –             | –              | Max. | mm         |    |     |     |     |     |                 |                 |     | kg                 |
| R12           | 1210           | 32   | 118        | 35 | 25  | 83  | 76  | 102 | 7               | 38              | 57  | 3,5                |
| R16           | 1615           | 42   | 127        | 43 | 38  | 80  | 89  | 105 | 7               | 38              | 83  | 4,5                |
| R25           | 2517           | 60   | 178        | 51 | 45  | 123 | 127 | 149 | 7               | 48              | 97  | 11,0               |
| R30           | 3020           | 75   | 216        | 65 | 51  | 146 | 152 | 181 | 7               | 54              | 109 | 20,0               |
| R35           | 3525           | 100  | 248        | 75 | 65  | 178 | 178 | 213 | 7               | 67              | 137 | 34,0               |
| R40           | 4030           | 110  | 298        | 76 | 76  | 210 | 216 | 257 | 7               | 79              | 159 | 59,0               |
| R45           | 4535           | 125  | 330        | 86 | 89  | 230 | 241 | 246 | 7               | 89              | 185 | 80,0               |
| R50           | 5040           | 125  | 362        | 92 | 102 | 266 | 267 | 314 | 7               | 92              | 211 | 135,0              |

<sup>1)</sup> J is the wrench clearance to allow for tightening and loosening the bushing on the shaft. The use of a shortened wrench will permit this dimension to be reduced

<sup>2)</sup> S is the distance between shaft ends

<sup>3)</sup> Mass given is for couplings with midrange taper bushings.

## FRC couplings

With a higher load capacity than jaw couplings and maintenance-free operation, FRC couplings are designed as a general purpose coupling. They are able to cushion moderate shock loads, dampen low levels of vibration and accommodate incidental misalignment. FRC couplings offer a range of hub and element selection to meet the demand for low cost, general purpose flexible coupling.

FRC couplings are phosphate coated for improved corrosion resistance and available with fire-resistant and anti-static elements (FRAS). FRC couplings are available with a pilot bore, finished bore or tapered bushing (face or hub) to make installation quick and simple.

Fully machined outside surfaces allow alignment with a simple straight edge. Shaft connections are fail safe due to their interlocking jaw design.

### Assembled coupling characteristics

| Size       | Assembled length comprising flange types |       |       | Mass  | Inertia           | Torsional stiffness | Misalignment |          |       | Nominal torque | Max torque |
|------------|------------------------------------------|-------|-------|-------|-------------------|---------------------|--------------|----------|-------|----------------|------------|
|            | FF,FH,HH                                 | FB,HB | BB    |       |                   |                     | Angular      | Parallel | Axial |                |            |
| –          | mm                                       |       |       | kg    | kg/m <sup>2</sup> | Nm/°                | °            | mm       |       | Nm             |            |
| <b>70</b>  | 65,0                                     | 65,0  | 65,0  | 1,00  | 0,00085           | –                   | 1            | 0,3      | 0,2   | 31,5           | 72         |
| <b>90</b>  | 69,5                                     | 76,0  | 82,5  | 1,17  | 0,00115           | –                   | 1            | 0,3      | 0,5   | 80,0           | 180        |
| <b>110</b> | 82,0                                     | 100,5 | 119,0 | 5,00  | 0,004             | 65                  | 1            | 0,3      | 0,6   | 160,0          | 360        |
| <b>130</b> | 89,0                                     | 110,0 | 131,0 | 5,46  | 0,0078            | 130                 | 1            | 0,4      | 0,8   | 315,0          | 720        |
| <b>150</b> | 107,0                                    | 129,5 | 152,0 | 7,11  | 0,0181            | 175                 | 1            | 0,4      | 0,9   | 600,0          | 1 500      |
| <b>180</b> | 142,0                                    | 165,5 | 189,0 | 16,60 | 0,0434            | 229                 | 1            | 0,4      | 1,1   | 950,0          | 2 350      |
| <b>230</b> | 164,5                                    | 202,0 | 239,5 | 26,00 | 0,1207            | 587                 | 1            | 0,5      | 1,3   | 2 000,0        | 5 000      |
| <b>280</b> | 207,5                                    | 246,5 | 285,5 | 50,00 | 0,4465            | 1 025               | 1            | 0,5      | 1,7   | 3 150,0        | 7 200      |

Mass is for an FF, FH or HH coupling with mid range taper bushes.

### Order data

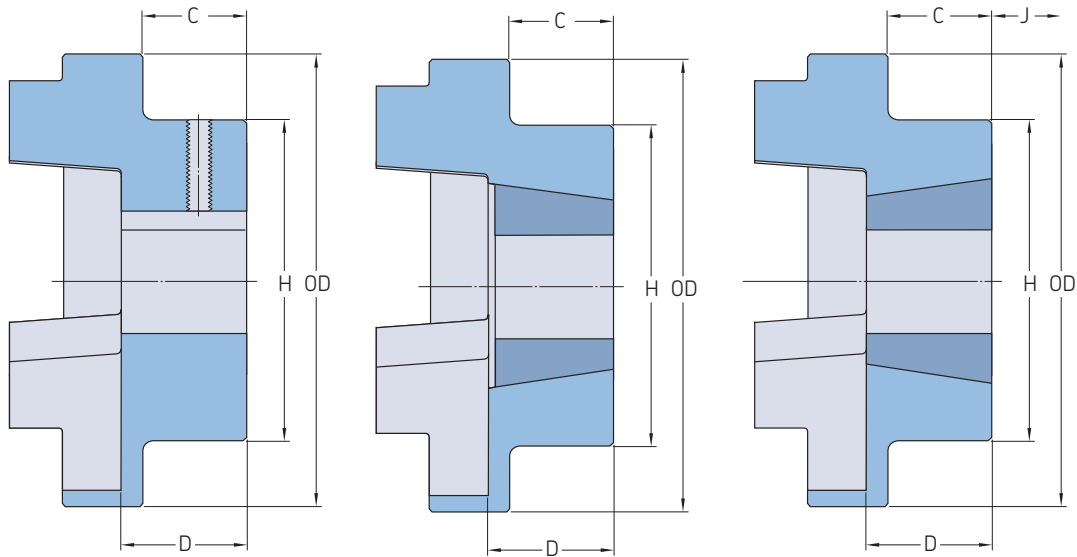
| Coupling type            | Flanges                      | Qty    | Element                       | Qty    | Taper bush                           | Qty    |
|--------------------------|------------------------------|--------|-------------------------------|--------|--------------------------------------|--------|
| <b>RSB both sides</b>    | PHE FRC70RSB                 | 2      | PHE FRC70NR or<br>PHE FRC70FR | 1      | –                                    | –      |
| <b>RSB/F Combination</b> | PHE FRC70RSB<br>PHE FRC70FTB | 1<br>1 | PHE FRC70NR or<br>PHE FRC70FR | 1<br>– | PHF TB1008X...MM                     | 1<br>1 |
| <b>RSB/H Combination</b> | PHE FRC70RSB<br>PHE FRC70HTB | 1<br>1 | PHE FRC70NR or<br>PHE FRC70FR | 1<br>– | PHF TB1008X...MM                     | 1<br>1 |
| <b>F/F Combination</b>   | PHE FRC70FTB<br>PHE FRC70FTB | 1<br>1 | PHE FRC70NR or<br>PHE FRC70FR | 1<br>– | PHF TB1008X...MM<br>PHF TB1008X...MM | 1<br>1 |
| <b>H/H Combination</b>   | PHE FRC70HTB<br>PHE FRC70HTB | 1<br>1 | PHE FRC70NR or<br>PHE FRC70FR | 1<br>– | PHF TB1008X...MM<br>PHF TB1008X...MM | 1<br>1 |
| <b>F/H Combination</b>   | PHE FRC70FTB<br>PHE FRC70HTB | 1<br>1 | PHE FRC70NR or<br>PHE FRC70FR | 1<br>– | PHF TB1008X...MM<br>PHF TB1008X...MM | 1<br>1 |

NR = Natural rubber

FR = Fire-resistant and anti-static (FRAS)

A complete FRC coupling consists of: 2 hubs and 1 element.

# FRC couplings



| Coupling size | Dimensions |     | Bushing number<br>Type F, H | Bore |      | C    | D    | J <sup>1)</sup> | Type B | Bore | Key screw | C  | D     |
|---------------|------------|-----|-----------------------------|------|------|------|------|-----------------|--------|------|-----------|----|-------|
|               | OD         | H   |                             | Min. | Max. |      |      |                 | Bore   |      |           |    |       |
| — mm          |            |     |                             |      |      |      |      |                 |        |      |           |    |       |
| <b>70</b>     | 69         | 60  | 1008                        | 9    | 25   | 20,0 | 23,5 | 29              | 32     | 10   | M6        | 20 | 25,8  |
| <b>90</b>     | 85         | 70  | 1108                        | 9    | 28   | 19,5 | 23,5 | 29              | 38     | 10   | M6        | 26 | 30,0  |
| <b>110</b>    | 112        | 100 | 1610                        | 14   | 42   | 18,5 | 26,5 | 38              | 55     | 10   | M10       | 37 | 45,3  |
| <b>130</b>    | 130        | 105 | 1610                        | 14   | 42   | 18,0 | 26,5 | 38              | 60     | 20   | M10       | 39 | 47,5  |
| <b>150</b>    | 150        | 115 | 2012                        | 14   | 50   | 23,5 | 33,5 | 42              | 70     | 28   | M10       | 46 | 60,0  |
| <b>180</b>    | 180        | 125 | 2517                        | 16   | 60   | 34,5 | 46,5 | 48              | 80     | 28   | M10       | 58 | 70,0  |
| <b>230</b>    | 225        | 155 | 3020                        | 25   | 75   | 39,5 | 52,5 | 55              | 100    | 45   | M12       | 77 | 90,0  |
| <b>280</b>    | 275        | 206 | 3525                        | 35   | 100  | 51,0 | 66,5 | 67              | 115    | 55   | M16       | 90 | 105,5 |

<sup>1)</sup> Clearance required for tightening/loosening the bushing on the shaft

## Jaw couplings

Jaw couplings provide a cost-effective solution for standard power applications, helping to cushion moderate shock loads and dampen low vibration levels.

Maintenance-free and easy to install, jaw couplings are available with a snap wrap element allowing element replacement in situ.

Urethane and Hytrel® elements have a greater power rating than nitrile elements and are recommended for applications where a compact, high torque solution is required.

### Standard bore and keyway chart

| Bore | Keyway   | Coupling Size |    |    |    |    |     |     |     |     |     |
|------|----------|---------------|----|----|----|----|-----|-----|-----|-----|-----|
|      |          | 50            | 70 | 75 | 90 | 95 | 100 | 110 | 150 | 190 | 225 |
| mm   |          |               |    |    |    |    |     |     |     |     |     |
| 9    | 3 x 1,4  | X             | X  | X  | X  | -  | -   | -   | -   | -   | -   |
| 10   | 3 x 1,4  | X             | X  | X  | X  | -  | -   | -   | -   | -   | -   |
| 11   | 4 x 1,8  | X             | X  | X  | X  | -  | -   | -   | -   | -   | -   |
| 12   | 4 x 1,8  | X             | X  | X  | X  | X  | -   | -   | -   | -   | -   |
| 14   | 5 x 2,3  | X             | X  | X  | X  | X  | X   | -   | -   | -   | -   |
| 15   | 5 x 2,3  | -             | X  | X  | X  | X  | X   | -   | -   | -   | -   |
| 16   | 5 x 2,3  | -             | X  | X  | X  | X  | X   | X   | -   | -   | -   |
| 17   | 5 x 2,3  | -             | X  | X  | X  | X  | X   | X   | X   | -   | -   |
| 18   | 6 x 2,8  | -             | X  | X  | X  | X  | X   | X   | X   | -   | -   |
| 19   | 6 x 2,8  | -             | X  | X  | X  | X  | X   | X   | X   | X   | -   |
| 20   | 6 x 2,8  | -             | -  | X  | X  | X  | X   | X   | X   | X   | -   |
| 22   | 6 x 2,8  | -             | -  | X  | X  | X  | X   | X   | X   | X   | -   |
| 24   | 8 x 3,3  | -             | -  | -  | X  | X  | X   | X   | X   | X   | X   |
| 25   | 8 x 3,3  | -             | -  | -  | -  | X  | X   | X   | X   | X   | X   |
| 28   | 8 x 3,3  | -             | -  | -  | -  | X  | X   | X   | X   | X   | X   |
| 30   | 8 x 3,3  | -             | -  | -  | -  | -  | X   | X   | X   | X   | X   |
| 32   | 10 x 3,3 | -             | -  | -  | -  | -  | X   | X   | X   | X   | X   |
| 35   | 10 x 3,3 | -             | -  | -  | -  | -  | X   | X   | X   | X   | X   |
| 38   | 10 x 3,3 | -             | -  | -  | -  | -  | X   | X   | X   | X   | X   |
| 40   | 12 x 3,3 | -             | -  | -  | -  | -  | -   | X   | X   | X   | X   |
| 42   | 12 x 3,3 | -             | -  | -  | -  | -  | -   | X   | X   | X   | X   |
| 45   | 14 x 3,8 | -             | -  | -  | -  | -  | -   | -   | X   | X   | X   |
| 48   | 14 x 3,8 | -             | -  | -  | -  | -  | -   | -   | X   | X   | X   |
| 50   | 14 x 3,8 | -             | -  | -  | -  | -  | -   | -   | -   | X   | X   |
| 55   | 16 x 4,3 | -             | -  | -  | -  | -  | -   | -   | -   | X   | X   |
| 60   | 18 x 4,4 | -             | -  | -  | -  | -  | -   | -   | -   | -   | X   |

### Order data

| Coupling type                          | Flanges            | Qty | Element       | Qty | Spacer shaft         | Qty | Nitrile wrap element | Qty | Ring kit        | Qty |
|----------------------------------------|--------------------|-----|---------------|-----|----------------------|-----|----------------------|-----|-----------------|-----|
| RSB both sides                         | PHE L095HUB        | 2   | PHE L095NR or | 1   | PHE L090X ... SPACER | 1   | PHE L090NRWRAP       | 2   | PHE L090RINGKIT | 2   |
|                                        | -                  | -   | PHE L095UR    | -   | -                    | -   | -                    | -   | -               | -   |
|                                        | -                  | -   | PHE L095HL    | -   | -                    | -   | -                    | -   | -               | -   |
| Bore with keyway/RSB combination       | PHE L095HUB        | 1   | PHE L095NR or | 1   | PHE L090X ... SPACER | 1   | PHE L090NRWRAP       | 2   | PHE L090RINGKIT | 2   |
|                                        | PHE L095 - ... MM  | 1   | PHE L095UR    | -   | -                    | -   | -                    | -   | -               | -   |
|                                        | -                  | -   | PHE L095HL    | -   | -                    | -   | -                    | -   | -               | -   |
| Bore with keyway on both sides         | PHE L095 - ... MM  | 2   | PHE L095NR or | 1   | PHE L090X ... SPACER | 1   | PHE L090NRWRAP       | 2   | PHE L090RINGKIT | 2   |
|                                        | -                  | -   | PHE L095UR    | -   | -                    | -   | -                    | -   | -               | -   |
|                                        | -                  | -   | PHE L095HL    | -   | -                    | -   | -                    | -   | -               | -   |
| Bore only/RSB combination              | PHE L095 - ... MMP | 1   | PHE L095NR or | 1   | PHE L090X ... SPACER | 1   | PHE L090NRWRAP       | 2   | PHE L090RINGKIT | 2   |
|                                        | PHE L095HUB        | 1   | PHE L095UR    | -   | -                    | -   | -                    | -   | -               | -   |
|                                        | -                  | -   | PHE L095HL    | -   | -                    | -   | -                    | -   | -               | -   |
| Bore only                              | PHE L095 - ... MMP | 2   | PHE L095NR or | 1   | PHE L090X ... SPACER | 1   | PHE L090NRWRAP       | 2   | PHE L090RINGKIT | 2   |
|                                        | -                  | -   | PHE L095UR    | -   | -                    | -   | -                    | -   | -               | -   |
|                                        | -                  | -   | PHE L095HL    | -   | -                    | -   | -                    | -   | -               | -   |
| Bore only/bore with keyway combination | PHE L095 - ... MMP | 1   | PHE L095NR or | 1   | PHE L090X ... SPACER | 1   | PHE L090NRWRAP       | 2   | PHE L090RINGKIT | 2   |
|                                        | PHE L095 - ... MM  | 1   | PHE L095UR    | -   | -                    | -   | -                    | -   | -               | -   |
|                                        | -                  | -   | PHE L095HL    | -   | -                    | -   | -                    | -   | -               | -   |

NR = Nitrile  
UR = Urethane  
HL = Hytrel®

A complete jaw coupling consists of: 2 hubs and 1 element and a complete coupling with spacer consists of 2 hubs, 2 nitrile elements, 2 ring kits and 1 spacer.

Available spacer shaft lengths are 100 mm and 140 mm. To complete the designation, add spacer length. For example: PHE L090X100SPACER for spacer of 100 mm, coupling size 090.

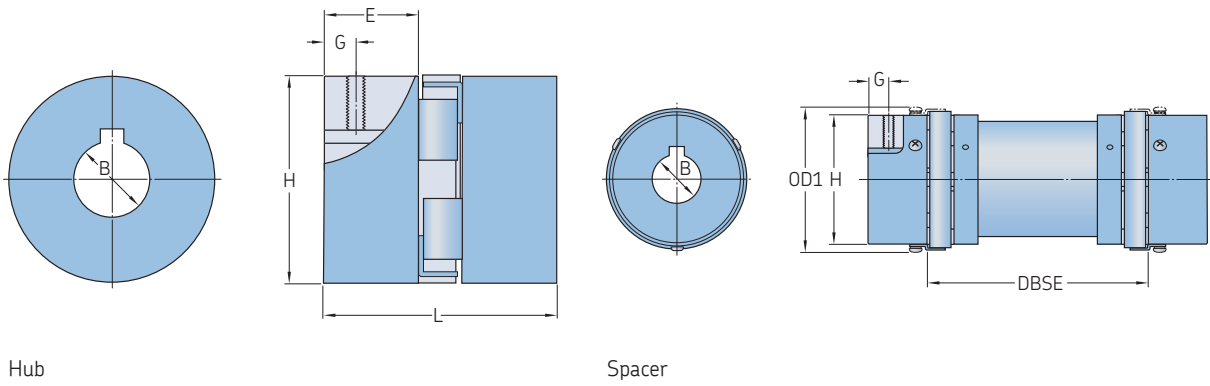
When ordering bored to size and keywayed hubs, it is required that the bore diameter is added to the designation found in the table above.

Where a keyway is NOT required, the designation should be suffixed with a P.

PHE L150-18MM = Hub Size 150 with 18 mm bore and keyway.

PHE L070-16MMP = Hub Size 070 with 16 mm bore (no keyway).

# Jaw couplings



| Size | Dimensions |       |       |     |                   |      |       |      | Set screw | Approx mass <sup>2)</sup> | Speed  | Designation |
|------|------------|-------|-------|-----|-------------------|------|-------|------|-----------|---------------------------|--------|-------------|
|      | Bore       | Pilot | Max.  | OD  | OD1 <sup>1)</sup> | L    | E     | H    |           |                           |        |             |
| –    | mm         | –     | –     | –   | –                 | –    | –     | –    | –         | kg                        | r/min  | –           |
| 35   | 3,20       | 9,5   | 15,9  | –   | 20,6              | 6,7  | 15,9  | –    | –         | 0,03                      | 31 000 | PHE L035HUB |
| 50   | 6,35       | 14,0  | 27,5  | –   | 44,0              | 16,0 | 27,5  | 6,5  | M6        | 0,05                      | 18 000 | PHE L050HUB |
| 70   | 6,35       | 19,0  | 35,0  | –   | 51,0              | 19,0 | 35,0  | 9,5  | M6        | 0,13                      | 14 000 | PHE L070HUB |
| 75   | 6,35       | 24,0  | 44,5  | –   | 54,0              | 21,0 | 44,5  | 9,0  | M6        | 0,22                      | 11 000 | PHE L075HUB |
| 90   | 6,35       | 24,0  | 54,0  | –   | 54,0              | 21,0 | 54,0  | 8,7  | M6        | 0,28                      | 9 000  | PHE L090HUB |
| 95   | 11,11      | 28,0  | 54,0  | 64  | 64,0              | 25,0 | 54,0  | 11,0 | M8        | 0,28                      | 9 000  | PHE L095HUB |
| 100  | 12,70      | 35,0  | 65,0  | 77  | 89,0              | 35,0 | 65,0  | 11,0 | M8        | 0,75                      | 7 000  | PHE L100HUB |
| 110  | 15,87      | 42,0  | 84,0  | 97  | 108,0             | 43,0 | 84,0  | 19,0 | M10       | 1,50                      | 5 000  | PHE L110HUB |
| 150  | 15,87      | 48,0  | 96,0  | 112 | 115,0             | 45,0 | 96,0  | 22,0 | M10       | 2,40                      | 4 000  | PHE L150HUB |
| 190  | 19,05      | 55,0  | 115,0 | 130 | 133,0             | 54,0 | 102,0 | 22,0 | M12       | 3,50                      | 3 600  | PHE L190HUB |
| 225  | 19,05      | 60,0  | 127,0 | 143 | 153,0             | 64,0 | 108,0 | 29,0 | M12       | 4,50                      | 3 600  | PHE L225HUB |

<sup>1)</sup> Outer diameter of ring kit

<sup>2)</sup> Mass of hub with pilot bores

DBSE = Distance between shaft ends

Hub material is high grade cast iron. Spacer material is aluminium.

## Universal joints

SKF universal joints, also known as pin and block couplings, are commonly used for low to medium torque industrial, off-road and agricultural applications.

These couplings offer an economical solution for applications up to 1 800 r/min and will provide working angles of up to 25% or 35% for manual drives. SKF offers these couplings with a solid bore from stock; bored to size, square, hexagonal and round bores on request. The couplings are available in either a single (UJMA) or double (UJMB) configuration.

### Order data

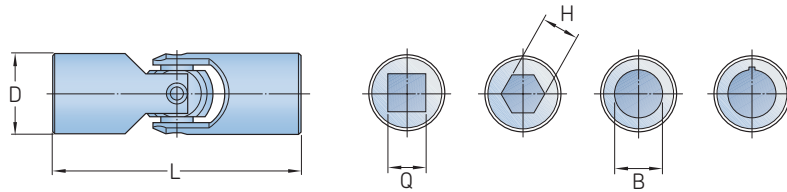
| Universal joint type | Size       | Qty |
|----------------------|------------|-----|
| Single               | PHE UJMA10 | 1   |
| Double               | PHE UJMB20 | 1   |

Available on request with finish bore, finish bore with keyway, hexagonal bore or square bore, e.g. the designations as shown below:

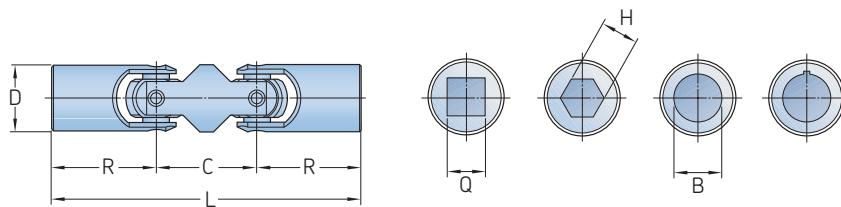
Universal joints with finish bore H7, with keyway (BSX30MM) – PHE UJMB45BSX30MM  
Universal joints with finish bore H7, without keyway (X30MM) – PHE UJMB45X30MM  
Universal joints with hexagonal bore (HBX30MM) – PHE UJMB45HBX30MM  
Universal joints with square bore (SBX30MM) – PHE UJMB45SBX30MM

# Universal joints

Single universal joints | Double universal joints



| Size | Dimensions |    | Bore |    | Q  | H  | B Max. | B with keyway Max. | Static breaking torque | Designation |
|------|------------|----|------|----|----|----|--------|--------------------|------------------------|-------------|
|      | L          | D  | B    | B  |    |    |        |                    |                        |             |
| –    | mm         |    |      |    |    |    |        |                    | Nm                     | –           |
| 10   | 38         | 10 | 6    | 6  | 6  | 6  | 6      | –                  | 13,5                   | PHE UJMA10  |
| 13   | 45         | 13 | 8    | 8  | 8  | 8  | 8      | –                  | 26,0                   | PHE UJMA13  |
| 16   | 52         | 16 | 8    | 8  | 8  | 8  | 10     | 8                  | 45,0                   | PHE UJMA16  |
| 20   | 62         | 20 | 10   | 10 | 10 | 10 | 13     | 11                 | 88,0                   | PHE UJMA20  |
| 25   | 74         | 25 | 12   | 12 | 12 | 12 | 16     | 14                 | 180,0                  | PHE UJMA25  |
| 32   | 86         | 32 | 16   | 16 | 16 | 16 | 22     | 18                 | 405,0                  | PHE UJMA32  |
| 40   | 108        | 40 | 20   | 20 | 20 | 20 | 25     | 22                 | 860,0                  | PHE UJMA40  |
| 45   | 120        | 45 | 20   | 20 | 20 | 20 | 30     | 25                 | 1 250,0                | PHE UJMA45  |
| 50   | 132        | 50 | 25   | 25 | 25 | 25 | 35     | 30                 | 1 730,0                | PHE UJMA50  |
| 63   | 166        | 63 | 32   | –  | –  | –  | 45     | 35                 | 3 400,0                | PHE UJMA63  |
| 75   | 190        | 75 | 40   | –  | –  | –  | 55     | 45                 | 5 300,0                | PHE UJMA75  |



| Size | Dimensions |      |    |     | Bore |        | B with keyway Max. | Q  | H  | Static breaking torque | Designation |
|------|------------|------|----|-----|------|--------|--------------------|----|----|------------------------|-------------|
|      | L          | R    | D  | C   | B    | B Max. |                    |    |    |                        |             |
| –    | mm         |      |    |     |      |        |                    |    | Nm | –                      |             |
| 13   | 68         | 22,5 | 13 | 23  | 8    | 8      | –                  | 8  | 8  | 26                     | PHE UJMB13  |
| 16   | 77         | 26,0 | 16 | 25  | 8    | 10     | 8                  | 8  | 8  | 45                     | PHE UJMB16  |
| 20   | 92         | 31,0 | 20 | 30  | 10   | 13     | 11                 | 10 | 10 | 88                     | PHE UJMB20  |
| 25   | 110        | 37,0 | 25 | 36  | 12   | 16     | 14                 | 12 | 12 | 180                    | PHE UJMB25  |
| 32   | 133        | 43,0 | 32 | 47  | 16   | 22     | 18                 | 16 | 16 | 405                    | PHE UJMB32  |
| 40   | 164        | 54,0 | 40 | 56  | 20   | 25     | 22                 | 20 | 20 | 860                    | PHE UJMB40  |
| 45   | 183        | 60,0 | 45 | 63  | 20   | 30     | 25                 | 20 | 20 | 1 250                  | PHE UJMB45  |
| 50   | 202        | 66,0 | 50 | 70  | 25   | 35     | 30                 | 25 | 25 | 1 730                  | PHE UJMB50  |
| 63   | 250        | 83,0 | 63 | 84  | 32   | 45     | 35                 | 32 | –  | 3 400                  | PHE UJMB63  |
| 75   | 290        | 95,0 | 75 | 100 | 40   | 55     | 45                 | 40 | –  | 5 300                  | PHE UJMB75  |







# Bushings and Hubs



Taper bushings ..... 150



Weld-on hubs..... 152



Bolt-on hubs / Adapters..... 153



QD Bushings..... 154



QD Weld-on hubs..... 156



FX keyless bushings..... 158



## SKF Bushings

SKF bushing range nomenclature has a defined prefix of PHF. The bushing range is covered by limited standards, but main SKF range is interchangeable with other brands.

## Bushings

The bushing range designation from SKF has the following is an example to indicate set up.

### SKF Designation prefix

**PHF TB2517 X55MM**

### Bushing size and type

Example:

TB2517 – taper bushing size 2517

M – QD series M

FX10 – FX friction bush series 10

### Supplementary

Bore sizes and dimensions

QD & taper bushing

X55MM – 55mm bore diameter standard keyway

-2<sup>-3</sup>/<sub>4</sub> – inch shaft 2<sup>-3</sup>/<sub>4</sub> with standard keyway

50X80 – FX bushing bore and OD dimensions

### Note

See SKF product training for full supplementary notations

## Bushings and Hubs (PHF Product Group)

SKF Taper bushings, QD bushings, Weld-on and Bolt-on hubs are manufactured according to established market standards and are fully interchangeable with other brands.

Metric bore keyway machined according to BS 4235: Part 1 and DIN 6885.

Imperial bore keyway machined according to BS 46: Part 1.

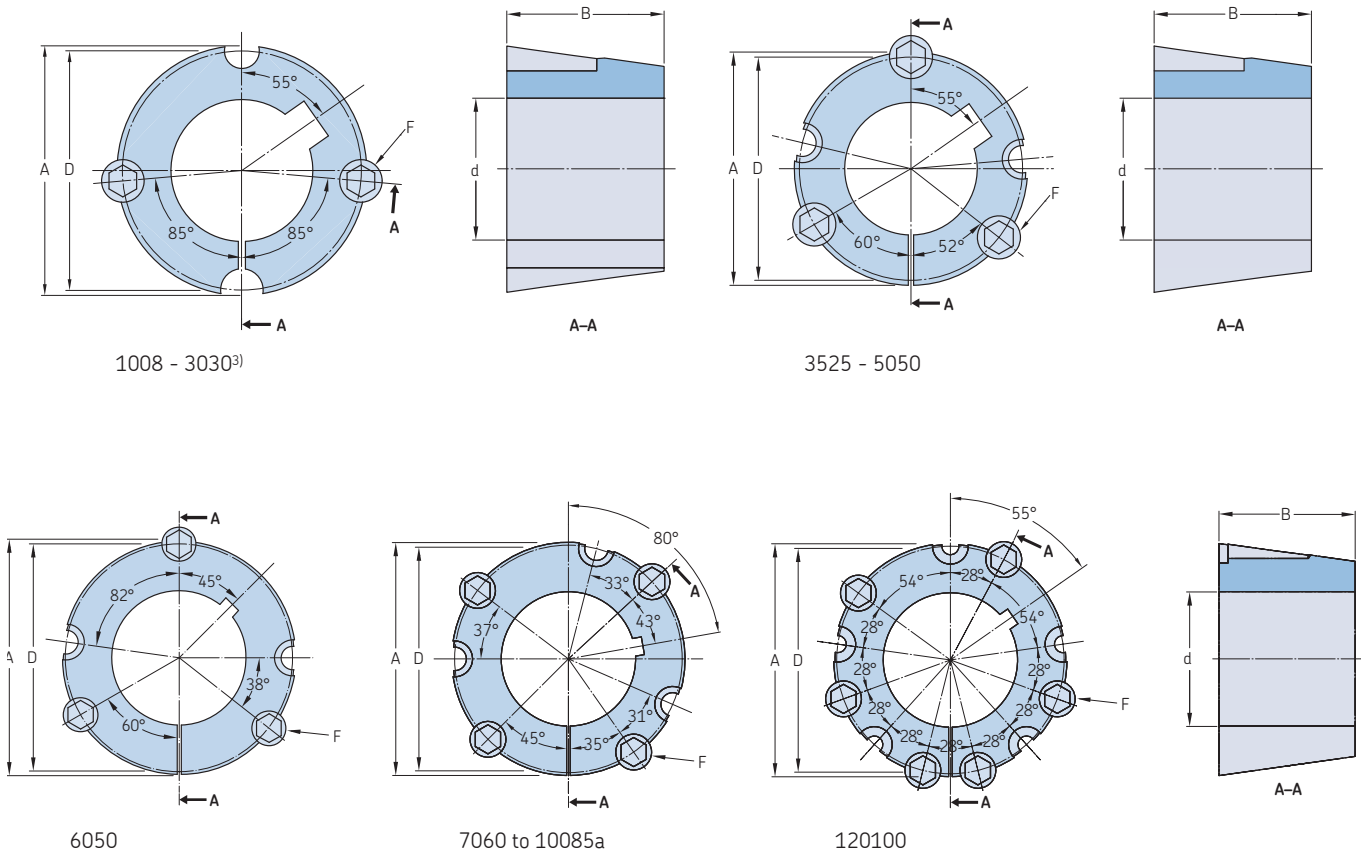
Phosphate coating and blackening are used to improved corrosion resistance, excluding FX bushings.

### Main materials used in bushings and hubs

|                          |                      |
|--------------------------|----------------------|
| Taper bushing            | Grey cast iron HT250 |
| QD bushing               | Grey cast iron HT250 |
| Weld on and Bolt on hubs | Grey cast iron HT250 |
| FX Bushings              | C45 Steel            |

# Taper bushings

Bushing number 1008 – 120100



| Bushing number     | Bore   |        | Dimensions        |       |       |       |                 |       |                  | Mass   | Designation      |
|--------------------|--------|--------|-------------------|-------|-------|-------|-----------------|-------|------------------|--------|------------------|
|                    | d Min. | Max.   | A                 | B     | D     | E     | F <sup>2)</sup> |       |                  |        |                  |
|                    | mm     | in.    | mm                | in.   | mm    |       |                 |       | kg               |        |                  |
| 1008               | 9      | 3/8    | 25                | 1     | 35,2  | 22,2  | 33,7            | –     | 6,350 x 12,700   | 0,05   | PHF TB1008X...   |
| 1108               | 9      | 3/8    | 28                | 1 1/8 | 38,4  | 22,2  | 36,9            | –     | 6,350 x 12,700   | 0,08   | PHF TB1108X...   |
| 1210               | 11     | 1/2    | 32                | 1 1/4 | 47,6  | 25,4  | 44,5            | –     | 9,525 x 15,875   | 0,19   | PHF TB1210X...   |
| 1215               | 11     | 1/2    | 32                | 1 1/4 | 47,6  | 38,1  | 44,5            | –     | 9,525 x 15,875   | 0,27   | PHF TB1215X...   |
| 1610               | 14     | 1/2    | 42                | 1 5/8 | 57,2  | 25,4  | 54,0            | –     | 9,525 x 15,875   | 0,31   | PHF TB1610X...   |
| 1615               | 14     | 1/2    | 42                | 1 5/8 | 57,2  | 38,1  | 54,0            | –     | 9,525 x 15,875   | 0,46   | PHF TB1615X...   |
| 2012               | 14     | 1/2    | 50                | 2     | 69,9  | 31,8  | 66,7            | –     | 11,113 x 22,225  | 0,65   | PHF TB2012X...   |
| 2017               | 14     | 1/2    | 50                | 2     | 69,9  | 44,5  | 66,7            | –     | 11,113 x 22,225  | 0,91   | PHF TB2017X...   |
| 2517 <sup>1)</sup> | 16     | 1/2    | 60                | 2 1/2 | 85,7  | 44,5  | 82,6            | –     | 12,700 x 25,400  | 1,47   | PHF TB2517X...   |
| 2525               | 16     | 1/2    | 60                | 2 1/2 | 85,7  | 63,5  | 82,6            | –     | 12,700 x 25,400  | 4,30   | PHF TB2525X...   |
| 3020               | 25     | 1      | 75                | 3     | 108,0 | 50,8  | 101,6           | –     | 15,875 x 31,750  | 2,25   | PHF TB3020X...   |
| 3030               | 35     | 1      | 75                | 3     | 108,0 | 76,2  | 101,6           | –     | 15,875 x 31,750  | 3,25   | PHF TB3030X...   |
| 3525 <sup>1)</sup> | 35     | 1 1/4  | 100 <sup>3)</sup> | 4     | 127,0 | 63,5  | 123,0           | –     | 12,700 x 38,100  | 4,23   | PHF TB3525X...   |
| 3535 <sup>1)</sup> | 35     | 1 1/4  | 90                | 3 1/2 | 127,0 | 89,0  | 123,0           | –     | 12,700 x 38,100  | 5,78   | PHF TB3535X...   |
| 4030               | 40     | 1 3/4  | 115 <sup>3)</sup> | 4 1/4 | 146,0 | 76,2  | 141,0           | –     | 15,875 x 44,450  | 7,00   | PHF TB4030X...   |
| 4040               | 40     | 1 3/4  | 100               | 4     | 146,0 | 102,0 | 141,0           | –     | 15,875 x 44,450  | 9,20   | PHF TB4040X...   |
| 4535               | 55     | 2      | 125               | 5     | 161,0 | 89,0  | 156,0           | –     | 19,050 x 50,800  | 9,10   | PHF TB4535X...   |
| 4545               | 55     | 2      | 115 <sup>3)</sup> | 4 1/2 | 161,0 | 114,0 | 156,0           | –     | 19,050 x 50,800  | 11,80  | PHF TB4545X...   |
| 5040               | 70     | 2 5/8  | 140               | 5 1/2 | 178,0 | 101,6 | 171,0           | –     | 22,255 x 57,150  | 12,26  | PHF TB5040X...   |
| 5050               | 70     | 2 5/8  | 125               | 5     | 178,0 | 127,0 | 171,0           | –     | 22,255 x 57,150  | 15,18  | PHF TB5050X...   |
| 6050               | 95     | 3 7/8  | 150               | 6     | 235,0 | 127,0 | 228,6           | 171,5 | 31,800 x 88,900  | 25,00  | PHF TB6050X...   |
| 7060               | 110    | 4 5/8  | 170               | 7     | 260,4 | 152,4 | 254,0           | 196,9 | 31,800 x 88,900  | 34,00  | PHF TB7060X...   |
| 8065               | 130    | 5 1/16 | 190               | 8     | 285,8 | 165,1 | 279,4           | 222,3 | 31,800 x 88,900  | 45,00  | PHF TB8065X...   |
| 10085              | 170    | 6 9/16 | 260               | 10    | 374,7 | 215,9 | 368,3           | 298,5 | 38,100 x 114,300 | 104,00 | PHF TB10085X...  |
| 120100             | 200    | 7 9/16 | 290               | 12    | 438,2 | 254,0 | 431,8           | 362,0 | 38,100 x 114,300 | 163,00 | PHF TB120100X... |

Note: Bushings cannot be bored out larger than listed.  
 Bushings are supplied with screws: 1008 - 3030 (2 screws); 3525 - 6050 (3 screws); 7060 - 10085 (4 screws); and 120100 (6 screws).  
<sup>1)</sup> Bushings are also available with coarse thread (UNC) according to ASME/ANSI standard. To complete designation, add U before bushing number and bore size at the end of designation, e.g. PHF TBU3525X70MM.  
<sup>2)</sup> Screw size x length.  
 A is the diameter at the face of the bush and D is the bolt pitch diameter.  
 To complete designation, add bore size. For example: PHF TB1215X16MM designates a 1215 taper bushing with a 16 mm bore.  
<sup>3)</sup> Indicates shallow key required (e.g. DIN 6885/3).  
 Sizes 1008 - 3030 may be supplied in either 3 hole or 4 hole. There is no difference in their respective performance characteristics.

Metric bores and keyway

| Bore diameter | Keyway Width | Depth | Shallow keyway depth | Bore sizes available |                 |      |      |      |      |                 |      |      |      |                 |      |                 |      |      |                 |
|---------------|--------------|-------|----------------------|----------------------|-----------------|------|------|------|------|-----------------|------|------|------|-----------------|------|-----------------|------|------|-----------------|
|               |              |       |                      | 1008                 | 1108            | 1210 | 1610 | 1615 | 2012 | 2517            | 3020 | 3030 | 3525 | 3535            | 4030 | 4040            | 4535 | 4545 | 5040            |
| 9             | 3            | 1,4   | —                    | •                    | •               |      |      |      |      |                 |      |      |      |                 |      |                 |      |      |                 |
| 10            | 3            | 1,4   | —                    | •                    | •               |      |      |      |      |                 |      |      |      |                 |      |                 |      |      |                 |
| 11            | 4            | 1,8   | —                    | •                    | •               | •    |      |      |      |                 |      |      |      |                 |      |                 |      |      |                 |
| 12            | 4            | 1,8   | —                    | •                    | •               | •    |      |      |      |                 |      |      |      |                 |      |                 |      |      |                 |
| 14            | 5            | 2,3   | —                    | •                    | •               | •    | •    | •    | •    |                 |      |      |      |                 |      |                 |      |      |                 |
| 15            | 5            | 2,3   | —                    | •                    | •               | •    | •    | •    | •    |                 |      |      |      |                 |      |                 |      |      |                 |
| 16            | 5            | 2,3   | —                    | •                    | •               | •    | •    | •    | •    | •               |      |      |      |                 |      |                 |      |      |                 |
| 18            | 6            | 2,8   | —                    | •                    | •               | •    | •    | •    | •    | •               |      |      |      |                 |      |                 |      |      |                 |
| 19            | 6            | 2,8   | —                    | •                    | •               | •    | •    | •    | •    | •               |      |      |      |                 |      |                 |      |      |                 |
| 20            | 6            | 2,8   | —                    | •                    | •               | •    | •    | •    | •    | •               |      |      |      |                 |      |                 |      |      |                 |
| 22            | 6            | 2,8   | —                    | •                    | •               | •    | •    | •    | •    | •               |      |      |      |                 |      |                 |      |      |                 |
| 24            | 8            | 3,3   | 1,3                  | • <sup>1)</sup>      | •               | •    | •    | •    | •    | •               |      |      |      |                 |      |                 |      |      |                 |
| 25            | 8            | 3,3   | 1,3                  | • <sup>1)</sup>      | •               | •    | •    | •    | •    | •               |      |      |      |                 |      |                 |      |      |                 |
| 28            | 8            | 3,3   | 1,3                  |                      | • <sup>1)</sup> | •    | •    | •    | •    | •               |      |      |      |                 |      |                 |      |      |                 |
| 30            | 8            | 3,3   | —                    |                      | •               | •    | •    | •    | •    | •               |      |      |      |                 |      |                 |      |      |                 |
| 32            | 10           | 3,3   | —                    |                      |                 | •    | •    | •    | •    | •               |      |      |      |                 |      |                 |      |      |                 |
| 35            | 10           | 3,3   | —                    |                      |                 | •    | •    | •    | •    | •               |      |      |      |                 |      |                 |      |      |                 |
| 38            | 10           | 3,3   | —                    |                      |                 | •    | •    | •    | •    | •               |      |      |      |                 |      |                 |      |      |                 |
| 40            | 12           | 3,3   | 1,3                  |                      |                 | •    | •    | •    | •    | •               |      |      |      |                 |      |                 |      |      |                 |
| 42            | 12           | 3,3   | 1,3                  |                      |                 | •    | •    | •    | •    | •               |      |      |      |                 |      |                 |      |      |                 |
| 45            | 14           | 3,8   | —                    |                      |                 |      |      | •    | •    | •               |      |      |      |                 |      |                 |      |      |                 |
| 48            | 14           | 3,8   | —                    |                      |                 |      |      | •    | •    | •               |      |      |      |                 |      |                 |      |      |                 |
| 50            | 14           | 3,8   | —                    |                      |                 |      |      | •    | •    | •               |      |      |      |                 |      |                 |      |      |                 |
| 55            | 16           | 4,3   | —                    |                      |                 |      |      | •    | •    | •               |      |      |      |                 |      |                 |      |      |                 |
| 60            | 18           | 4,4   | —                    |                      |                 |      |      | •    | •    | •               |      |      |      |                 |      |                 |      |      |                 |
| 65            | 18           | 4,4   | —                    |                      |                 |      |      |      | •    | •               |      |      |      |                 |      |                 |      |      |                 |
| 70            | 20           | 4,9   | —                    |                      |                 |      |      |      | •    | •               |      |      |      |                 |      |                 |      |      |                 |
| 75            | 20           | 4,9   | —                    |                      |                 |      |      |      | •    | •               |      |      |      |                 |      |                 |      |      |                 |
| 80            | 22           | 5,4   | —                    |                      |                 |      |      |      | •    | •               |      |      |      |                 |      |                 |      |      |                 |
| 85            | 22           | 5,4   | —                    |                      |                 |      |      |      | •    | •               |      |      |      |                 |      |                 |      |      |                 |
| 90            | 25           | 5,4   | —                    |                      |                 |      |      |      |      | •               |      |      |      |                 |      |                 |      |      |                 |
| 95            | 25           | 5,4   | —                    |                      |                 |      |      |      |      | •               |      |      |      |                 |      |                 |      |      |                 |
| 100           | 28           | 6,4   | 4,4                  |                      |                 |      |      |      |      | • <sup>1)</sup> |      |      |      |                 |      |                 |      |      |                 |
| 105           | 28           | 6,4   | —                    |                      |                 |      |      |      |      | •               |      |      |      |                 |      |                 |      |      |                 |
| 110           | 28           | 6,4   | —                    |                      |                 |      |      |      |      | •               |      |      |      |                 |      |                 |      |      |                 |
| 110           | 32           | 7,4   | 5,4                  |                      |                 |      |      |      |      |                 |      |      |      | • <sup>1)</sup> |      | • <sup>1)</sup> |      | •    | •               |
| 120           | 32           | 7,4   | —                    |                      |                 |      |      |      |      |                 |      |      |      |                 |      |                 |      |      |                 |
| 125           | 32           | 7,4   | —                    |                      |                 |      |      |      |      |                 |      |      |      |                 |      |                 |      |      |                 |
| 130           | 32           | 7,4   | —                    |                      |                 |      |      |      |      |                 |      |      |      |                 |      |                 |      |      |                 |
| 140           | 32           | 8,4   | 6,4                  |                      |                 |      |      |      |      |                 |      |      |      |                 |      |                 |      |      | • <sup>1)</sup> |

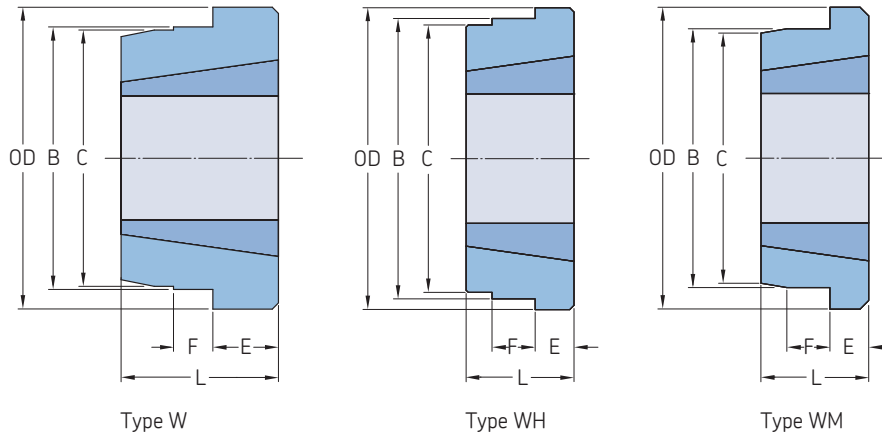
Inch bores and keyway

| Bore diameter | Keyway Width | Depth | Shallow keyway depth | Bore sizes available |                 |      |      |      |      |      |      |      |      |      |      |      |      |      |      |
|---------------|--------------|-------|----------------------|----------------------|-----------------|------|------|------|------|------|------|------|------|------|------|------|------|------|------|
|               |              |       |                      | 1008                 | 1108            | 1210 | 1610 | 1615 | 2012 | 2517 | 3020 | 3030 | 3525 | 3535 | 4030 | 4040 | 4535 | 4545 | 5040 |
| 3/8           | 1/8          | 1/16  | —                    | •                    | •               |      |      |      |      |      |      |      |      |      |      |      |      |      |      |
| 1/2           | 1/8          | 1/16  | —                    | •                    | •               |      |      |      |      |      |      |      |      |      |      |      |      |      |      |
| 5/8           | 3/32         | 3/32  | —                    | •                    | •               | •    | •    | •    | •    |      |      |      |      |      |      |      |      |      |      |
| 3/4           | 3/32         | 3/32  | —                    | •                    | •               | •    | •    | •    | •    |      |      |      |      |      |      |      |      |      |      |
| 7/8           | 1/4          | 1/8   | —                    | •                    | •               | •    | •    | •    | •    |      |      |      |      |      |      |      |      |      |      |
| 1             | 1/4          | 1/8   | 1/16                 | • <sup>1)</sup>      | •               | •    | •    | •    | •    | •    |      |      |      |      |      |      |      |      |      |
| 1 1/8         | 5/16         | 1/8   | 5/64                 |                      | • <sup>1)</sup> | •    | •    | •    | •    | •    |      |      |      |      |      |      |      |      |      |
| 1 1/4         | 5/16         | 1/8   | —                    |                      |                 | •    | •    | •    | •    | •    |      |      |      |      |      |      |      |      |      |
| 1 3/8         | 3/8          | 1/8   | —                    |                      |                 |      | •    | •    | •    | •    |      |      |      |      |      |      |      |      |      |
| 1 1/2         | 3/8          | 1/8   | —                    |                      |                 |      |      | •    | •    | •    |      |      |      |      |      |      |      |      |      |
| 1 5/8         | 7/16         | 5/32  | 1/8                  |                      |                 |      | •    | •    | •    | •    |      |      |      |      |      |      |      |      |      |
| 1 3/4         | 7/16         | 5/32  | —                    |                      |                 |      |      | •    | •    | •    |      |      |      |      |      |      |      |      |      |
| 1 7/8         | 1/2          | 5/32  | —                    |                      |                 |      |      |      | •    | •    |      |      |      |      |      |      |      |      |      |
| 2             | 1/2          | 5/32  | —                    |                      |                 |      |      |      | •    | •    |      |      |      |      |      |      |      |      |      |
| 2 1/8         | 5/8          | 7/32  | —                    |                      |                 |      |      |      |      | •    |      |      |      |      |      |      |      |      |      |
| 2 1/4         | 5/8          | 7/32  | —                    |                      |                 |      |      |      |      |      |      |      |      |      |      |      |      |      |      |
| 2 3/8         | 5/8          | 7/32  | —                    |                      |                 |      |      |      |      |      |      |      |      |      |      |      |      |      |      |
| 2 1/2         | 5/8          | 7/32  | —                    |                      |                 |      |      |      |      |      |      |      |      |      |      |      |      |      |      |
| 2 5/8         | 3/4          | 1/4   | —                    |                      |                 |      |      |      |      |      |      |      |      |      |      |      |      |      |      |
| 2 3/4         | 3/4          | 1/4   | —                    |                      |                 |      |      |      |      |      |      |      |      |      |      |      |      |      |      |
| 2 7/8         | 3/4          | 1/4   | —                    |                      |                 |      |      |      |      |      |      |      |      |      |      |      |      |      |      |
| 3             | 3/4          | 1/4   | —                    |                      |                 |      |      |      |      |      |      |      |      |      |      |      |      |      |      |
| 3 1/8         | 7/8          | 5/16  | —                    |                      |                 |      |      |      |      |      |      |      |      |      |      |      |      |      |      |
| 3 1/4         | 7/8          | 5/16  | —                    |                      |                 |      |      |      |      |      |      |      |      |      |      |      |      |      |      |
| 3 3/8         | 7/8          | 5/16  | —                    |                      |                 |      |      |      |      |      |      |      |      |      |      |      |      |      |      |
| 3 1/2         | 7/8          | 5/16  | —                    |                      |                 |      |      |      |      |      |      |      |      |      |      |      |      |      |      |
| 3 3/4         | 1            | 3/8   | 5/16                 |                      |                 |      |      |      |      |      |      |      |      |      |      |      |      |      |      |
| 4             | 1            | 3/8   | 7/32                 |                      |                 |      |      |      |      |      |      |      |      |      |      |      |      |      |      |
| 4 1/4         | 1 1/4        | 7/16  | —                    |                      |                 |      |      |      |      |      |      |      |      |      |      |      |      |      |      |
| 4 1/2         | 1 1/4        | 7/16  | 11/32                |                      |                 |      |      |      |      |      |      |      |      |      |      |      |      |      |      |
| 4 3/4         | 1 1/4        | 7/16  | —                    |                      |                 |      |      |      |      |      |      |      |      |      |      |      |      |      |      |
| 5             | 1 1/4        | 7/16  | 11/32                |                      |                 |      |      |      |      |      |      |      |      |      |      |      |      |      |      |

<sup>1)</sup> Bushing comes with a shallow keyway.

## Weld-on hubs

W taper bushed | WH taper bushed | WM taper bushed

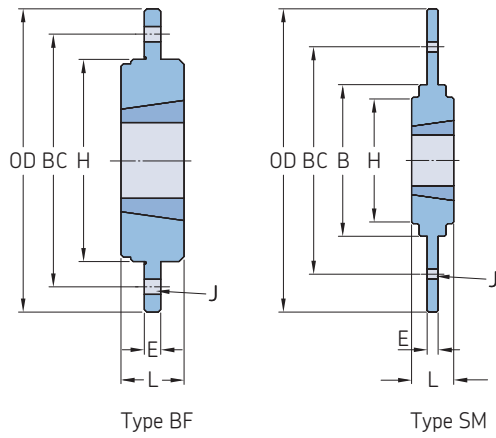


| Type | Bushing number | Dimensions |        |        |       |       |            | Designation |          |
|------|----------------|------------|--------|--------|-------|-------|------------|-------------|----------|
|      |                | OD         | B      | C      | L     | E     | F          |             |          |
| -    | -              | mm         |        |        |       |       |            | -           |          |
| W    | 1215           | 73,03      | 63,50  | 62,71  | 38,1  | 15,88 | 9,53       | PHH W12     |          |
|      | 1615           | 82,55      | 73,03  | 72,24  | 38,1  | 15,88 | 9,53       | PHH W16     |          |
|      | 2017           | 101,60     | 88,90  | 88,11  | 44,4  | 19,05 | 11,91      | PHH W20     |          |
|      | 2517           | 127,00     | 111,13 | 110,34 | 44,4  | 19,05 | 12,70      | PHH W25     |          |
|      | 3030           | 149,86     | 133,35 | 132,56 | 76,2  | 25,40 | 19,05      | PHH W30     |          |
|      | 3535           | 184,15     | 158,75 | 157,96 | 88,9  | 31,75 | 25,40      | PHH W35     |          |
|      | 4040           | 225,43     | 196,85 | 196,06 | 101,6 | 31,75 | 31,75      | PHH W40     |          |
|      | 4545           | 254,00     | 222,25 | 221,46 | 114,3 | 38,10 | 38,10      | PHH W45     |          |
|      | WH             | 1210       | 70,00  | 65,00  | 64,50 | 25,0  | 9,00       | 10,00       | PHH WH12 |
|      |                | 1610       | 80,00  | 75,00  | 74,50 | 25,0  | 9,00       | 10,00       | PHH WH16 |
| 2012 |                | 95,00      | 90,00  | 89,50  | 32,0  | 12,00 | 12,00      | PHH WH20    |          |
| 2517 |                | 115,00     | 110,00 | 109,50 | 44,0  | 19,00 | 15,00      | PHH WH25    |          |
| 3020 |                | 145,00     | 140,00 | 139,50 | 50,0  | 20,00 | 15,00      | PHH WH30    |          |
| 3535 |                | 190,00     | 180,00 | 179,50 | 89,0  | 25,00 | 25,00      | PHH WH35-2  |          |
| 4030 |                | 200,00     | 190,00 | 189,50 | 76,0  | 32,00 | 30,00      | PHH WH40-1  |          |
| 4040 |                | 200,00     | 190,00 | 189,50 | 101,0 | 32,00 | 30,00      | PHH WH40-2  |          |
| 4535 |                | 210,00     | 200,00 | 199,50 | 89,0  | 40,00 | 30,00      | PHH WH45-1  |          |
| 4545 |                | 210,00     | 200,00 | 199,50 | 114,0 | 40,00 | 30,00      | PHH WH45-2  |          |
| 5040 | 230,00         | 220,00     | 219,50 | 102,0  | 40,00 | 35,00 | PHH WH50-1 |             |          |
| 5050 | 230,00         | 220,00     | 219,50 | 127,0  | 40,00 | 35,00 | PHH WH50-2 |             |          |
| WM   | 1210           | 70,00      | 60,00  | 58,00  | 25,0  | 9,00  | 10,00      | PHH WM12    |          |
|      | 1610           | 83,00      | 70,00  | 68,00  | 25,0  | 9,00  | 10,00      | PHH WM16-1  |          |
|      | 1615           | 83,00      | 70,00  | 68,00  | 38,0  | 16,00 | 11,00      | PHH WM16-2  |          |
|      | 2012           | 95,00      | 90,00  | 88,00  | 32,0  | 12,00 | 12,00      | PHH WM20    |          |
|      | 2517           | 127,00     | 110,00 | 108,00 | 44,0  | 19,00 | 13,00      | PHH WM25    |          |
|      | 3020           | 152,00     | 130,00 | 125,00 | 50,0  | 20,00 | 15,00      | PHH WM30-1  |          |
|      | 3030           | 152,00     | 130,00 | 125,00 | 76,0  | 25,00 | 19,00      | PHH WM30-2  |          |
|      | 3535           | 184,00     | 155,00 | 151,00 | 89,0  | 32,00 | 25,00      | PHH WM35    |          |
|      | 4040           | 225,00     | 195,00 | 187,00 | 102,0 | 32,00 | 32,00      | PHH WM40    |          |
|      | 4545           | 254,00     | 220,00 | 213,00 | 114,0 | 38,00 | 38,00      | PHH WM45    |          |
| 5050 | 276,00         | 242,00     | 228,00 | 127,0  | 38,00 | 38,00 | PHH WM50   |             |          |



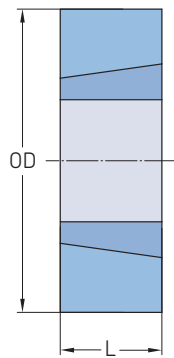
## Bolt-on hubs / Adapters

BF taper bushed | SM taper bushed | Taper bushed adapters



| Type | Bushing number | Dimensions |     |     |    |      |     |                 | Designation |
|------|----------------|------------|-----|-----|----|------|-----|-----------------|-------------|
|      |                | OD         | B   | BC  | L  | E    | H   | J <sup>1)</sup> |             |
| -    | -              | mm         |     |     |    |      |     |                 | -           |
| BF   | 1210           | 120        | -   | 100 | 25 | 6,5  | 80  | 6 x 6,6         | PHH BF12    |
|      | 1610           | 130        | -   | 110 | 25 | 6,5  | 90  | 6 x 6,6         | PHH BF16    |
|      | 2012           | 145        | -   | 125 | 32 | 8,5  | 100 | 6 x 9,0         | PHH BF20    |
|      | 2517           | 185        | -   | 155 | 44 | 11,5 | 130 | 6 x 11,0        | PHH BF25    |
|      | 3020           | 220        | -   | 190 | 50 | 11,5 | 165 | 6 x 13,0        | PHH BF30    |
| SM   | 1210           | 180        | 75  | 135 | 25 | 6,5  | 90  | 6 x 7,5         | PHH SM12    |
|      | 1615           | 200        | 85  | 150 | 38 | 7,5  | 110 | 6 x 7,5         | PHH SM16    |
|      | 2012           | 270        | 110 | 190 | 32 | 8,5  | 140 | 6 x 9,5         | PHH SM20    |
|      | 2517           | 340        | 125 | 240 | 45 | 9,5  | 170 | 8 x 11,5        | PHH SM25    |
|      | 3020           | 430        | 160 | 300 | 51 | 13,5 | 220 | 8 x 13,5        | PHH SM30-1  |
|      | 3020           | 485        | 160 | 340 | 51 | 13,5 | 250 | 8 x 13,5        | PHH SM30-2  |

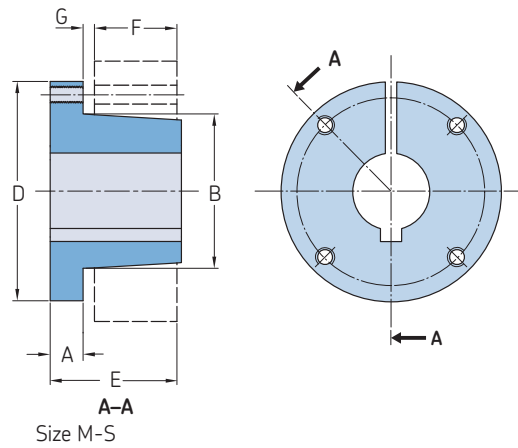
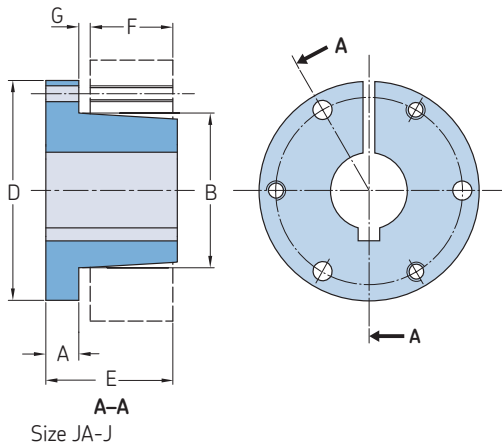
<sup>1)</sup> Number of screw holes x hole diameter.



Taper bushed adapters (obsolete)

| Type   | Bushing number | Dimensions |     | Keyway Width | Depth | Designation   |
|--------|----------------|------------|-----|--------------|-------|---------------|
|        |                | OD         | L   |              |       |               |
| -      | -              | mm         |     | -            | -     | -             |
| 1008KM | 1008           | 45         | 22  | 5            | 2,5   | PHH TBA1008KM |
| 1008PM | 1008           | 45         | 22  | -            | -     | PHH TBA1008PM |
| 1210KM | 1210           | 60         | 25  | 6            | 3,0   | PHH TBA1210KM |
| 1210PM | 1210           | 60         | 25  | -            | -     | PHH TBA1210PM |
| 1215KM | 1215           | 60         | 38  | 6            | 3,0   | PHH TBA1215KM |
| 1215PM | 1215           | 60         | 38  | -            | -     | PHH TBA1215PM |
| 1610KM | 1610           | 70         | 25  | 10           | 4,0   | PHH TBA1610KM |
| 1610PM | 1610           | 70         | 25  | -            | -     | PHH TBA1610PM |
| 1615KM | 1615           | 70         | 38  | 10           | 4,0   | PHH TBA1615KM |
| 1615PM | 1615           | 70         | 38  | -            | -     | PHH TBA1615PM |
| 2517KM | 2517           | 105        | 45  | 16           | 4,0   | PHH TBA2517KM |
| 2517PM | 2517           | 105        | 45  | -            | -     | PHH TBA2517PM |
| 3030KM | 3030           | 130        | 76  | 20           | 5,0   | PHH TBA3030KM |
| 3030PM | 3030           | 130        | 76  | -            | -     | PHH TBA3030PM |
| 3535KM | 3535           | 160        | 89  | 22           | 5,0   | PHH TBA3535KM |
| 3535PM | 3535           | 160        | 89  | -            | -     | PHH TBA3535PM |
| 4040KM | 4040           | 185        | 102 | 24           | 5,0   | PHH TBA4040KM |
| 4040PM | 4040           | 185        | 102 | -            | -     | PHH TBA4040PM |

# QD Bushings



| Bushing number | Bore range |                      |                | Dimensions |        |        |        |        |       | Set screw size | Average mass |       | Designation |
|----------------|------------|----------------------|----------------|------------|--------|--------|--------|--------|-------|----------------|--------------|-------|-------------|
|                | Min.       | Standard keyway Max. | Shallow keyway | A          | B      | D      | E      | F      | G     |                | kg           | lbs.  |             |
| -              | mm         |                      |                |            |        |        |        |        |       |                | kg           | lbs.  | -           |
| JA             | 9,53       | 25,40                | 31,75          | 7,90       | 35,10  | 50,80  | 25,40  | 14,22  | 3,05  | 10 - 24        | 0,40         | 0,9   | PHF JA...   |
| SH             | 12,70      | 34,92                | 42,86          | 10,90      | 47,80  | 66,80  | 33,27  | 20,57  | 3,05  | 6,35           | 0,50         | 1,0   | PHF SH...   |
| SDS            | 12,70      | 42,86                | 50,80          | 10,90      | 55,40  | 80,80  | 33,27  | 19,05  | 3,05  | 6,35           | 0,72         | 1,0   | PHF SDS...  |
| SD             | 12,70      | 42,86                | 49,21          | 10,90      | 55,40  | 80,80  | 45,97  | 31,75  | 3,05  | 6,35           | 0,93         | 1,5   | PHF SD...   |
| SK             | 12,70      | 53,97                | 63,50          | 14,20      | 71,40  | 98,60  | 49,02  | 31,75  | 5,58  | 33,34          | 0,90         | 2,0   | PHF SK...   |
| SF             | 12,70      | 74,61                | 71,43          | 16,00      | 79,50  | 117,60 | 52,32  | 31,75  | 5,58  | 33,34          | 2,23         | 3,0   | PHF SF...   |
| E              | 22,26      | 73,02                | 88,90          | 22,40      | 97,30  | 152,40 | 69,85  | 41,02  | 6,35  | 9,50           | 4,62         | 10,0  | PHF E...    |
| F              | 25,40      | 100,01               | 100,01         | 25,40      | 112,50 | 168,40 | 95,25  | 63,50  | 8,64  | 12,70          | 5,20         | 11,5  | PHF F...    |
| J              | 36,51      | 95,25                | 114,30         | 28,70      | 130,60 | 184,20 | 122,68 | 80,77  | 9,65  | 41,27          | 8,20         | 18,0  | PHF J...    |
| M              | 74,61      | 120,65               | 139,70         | 31,80      | 165,10 | 228,60 | 171,45 | 131,57 | 10,41 | 19,10          | 27,00        | 37,0  | PHF M...    |
| N              | 61,91      | 130,18               | 152,40         | 38,10      | 177,80 | 254,00 | 206,25 | 158,75 | 14,22 | 19,10          | 37,50        | 57,0  | PHF N...    |
| P              | 74,61      | 150,81               | 177,80         | 44,50      | 209,60 | 298,50 | 238,25 | 184,15 | 16,02 | 22,20          | 54,40        | 120,0 | PHF P...    |
| W              | 101,60     | 190,50               | 215,90         | 50,80      | 264,70 | 381,00 | 289,05 | 228,60 | 12,70 | 25,40          | 113,40       | 250,0 | PHF W...    |
| S              | 152,40     | 209,55               | 254,00         | 69,90      | 308,10 | 450,90 | 387,35 | 304,80 | 19,05 | 31,75          | 181,40       | 400,0 | PHF S...    |

To complete the designation, add bore size in inch or millimeters (standard bore sizes available on next page).  
E.g.: PHF SDS-1-11/16 and PHF SDS-25MM.

# QD Bushings

## Dimensions

### Inch bores and keyway

| Bushing number | Bore                                                                          | Keyway                                                                 |
|----------------|-------------------------------------------------------------------------------|------------------------------------------------------------------------|
| –              | in.                                                                           |                                                                        |
| JA             | 3/8 – 7/8<br>1/2<br>1 1/16 – 1 1/8<br>1 3/16<br>1 1/4                         | No keyway<br>STD<br>1/4 x 1/16<br>1/4 x 1/16<br>No keyway              |
| SH             | 1/2 – 1 3/8<br>1 7/16 – 1 1/2<br>1 9/16 – 1 5/8<br>1 11/16                    | STD<br>3/8 x 1/16<br>3/8 x 1/16<br>No keyway                           |
| SDS            | 1/2 – 1 11/16<br>1 3/4<br>1 13/16<br>1 7/8 – 1 15/16<br>2                     | STD<br>3/8 x 1/8<br>1/2 x 1/8<br>1/2 x 1/16<br>No keyway               |
| SD             | 1/2 – 1 11/16<br>1 3/4<br>1 13/16<br>1 7/8<br>1 15/16<br>2                    | STD<br>3/8 x 1/8<br>1/2 x 1/8<br>1/2 x 1/16<br>1/2 x 1/16<br>No keyway |
| SK             | 1/2 – 2 1/8<br>2 3/16 – 2 1/4<br>2 5/16 – 2 1/2<br>2 9/16 – 2 5/8             | STD<br>1/2 x 1/8<br>1 5/8 x 1/16<br>No keyway                          |
| SF             | 1/2 – 2 1/4<br>2 5/16 – 2 1/2<br>2 9/16 – 2 3/4<br>2 13/16 – 2 7/8<br>2 15/16 | STD<br>1 5/8 x 3/16<br>5/8 x 1/16<br>3/4 x 1/16<br>3/4 x 1/32          |
| E              | 7/8 – 2 7/8<br>2 15/16 – 3 1/4<br>3 3/8 – 3 1/2                               | STD <sup>1)</sup><br>3/4 x 1/8<br>7/8 x 1/16                           |
| F              | 1 – 3 15/16<br>3 3/8 – 3 3/4<br>3 7/8 – 3 15/16<br>4                          | STD <sup>1)</sup><br>7/8 x 3/16<br>1 x 1/8<br>No keyway                |
| J              | 1 1/4 – 3 3/4<br>3 13/16 – 4 1/2                                              | STD <sup>1)</sup><br>1 x 1/8                                           |
| M              | 2 – 4 3/4<br>4 13/16 – 5 1/2                                                  | STD <sup>1)</sup><br>1 1/4 x 1/4                                       |
| N              | 2 7/16<br>5 7/8 – 5 1/2<br>5 9/16                                             | STD <sup>1)</sup><br>1 1/4 x 1/4<br>1 1/2 x 1/4                        |
| P              | 2 15/16 – 5 15/16<br>6 – 6 1/2<br>6 9/16                                      | STD <sup>1)</sup><br>1 1/2 x 1/4<br>1 3/4 x 1/8                        |
| W              | 4 – 7 1/2<br>7 9/16 – 8 1/2                                                   | STD <sup>1)</sup><br>2 x 1/4                                           |

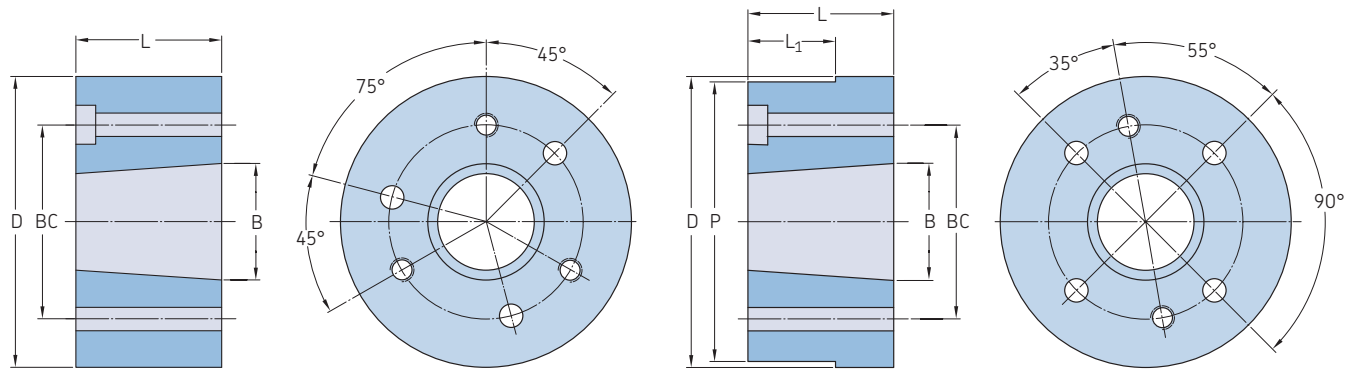
<sup>1)</sup> Please contact SKF for details.

### Metric bores and keyway

| Bushing number | Bore                                                       | Keyway - WxT                                                             |
|----------------|------------------------------------------------------------|--------------------------------------------------------------------------|
| –              | mm                                                         |                                                                          |
| SH             | 24, 25<br>28, 30<br>32, 35                                 | 8 x 7<br>–<br>10 x 8                                                     |
| SDS            | 24, 25<br>28, 30<br>32, 35<br>38<br>40, 42                 | 8 x 7<br>–<br>10 x 8<br>–<br>12 x 8                                      |
| SD             | 24, 25<br>28, 30<br>32, 35<br>38<br>40, 42                 | 8 x 7<br>–<br>10 x 8<br>–<br>12 x 8                                      |
| SK             | 24, 25<br>28, 30<br>32, 35<br>38<br>40, 42<br>48, 50<br>55 | 8 x 7<br>–<br>10 x 8<br>–<br>12 x 8<br>14 x 9<br>16 x 10                 |
| SF             | 28, 30<br>32, 35<br>38<br>40, 42<br>48, 50<br>55<br>60     | 8 x 7<br>10 x 8<br>–<br>12 x 8<br>14 x 9<br>16 x 10<br>18 x 11           |
| E              | 35, 38<br>40, 42<br>48, 50<br>55<br>60, 65<br>70, 75       | 10 x 8<br>12 x 8<br>14 x 9<br>16 x 10<br>18 x 11<br>20 x 12              |
| F              | 48, 50<br>55<br>60, 65<br>70, 75<br>80, 85                 | 14 x 9<br>16 x 10<br>18 x 11<br>20 x 12<br>22 x 14                       |
| J              | 50<br>55<br>60, 65<br>70, 75<br>80, 85<br>90<br>95<br>100  | 14 x 9<br>16 x 10<br>18 x 11<br>20 x 12<br>22 x 14<br>25 x 14<br>28 x 16 |

The metric system does not refer to keyseat or keyway dimensions as the inch system. Instead, dimensions are given for the key itself which is rectangular in shape, not square as in the inch system.

# QD Weld-on hubs



Type 1

Type 2

| Bushing number | Dimensions |       |       |       |                |       | Type drilling | Approx mass | Mounting             | Designation |
|----------------|------------|-------|-------|-------|----------------|-------|---------------|-------------|----------------------|-------------|
|                | D          | L     | B     | P     | L <sub>1</sub> | BC    |               |             |                      |             |
| -              | mm         |       |       |       |                |       | -             | kg          | -                    | -           |
| JA             | 57,2       | 14,3  | 34,9  | -     | -              | 42,1  | 1             | 0,18        | Std or reverse mount | PHH WJA     |
| SH             | 76,2       | 20,6  | 47,5  | -     | -              | 57,2  | 1             | 0,45        | Std or reverse mount | PHH WSH     |
| SDS            | 88,9       | 19,1  | 55,6  | -     | -              | 68,3  | 1             | 0,57        | Std or reverse mount | PHH WSDS    |
| SK             | 111,1      | 31,8  | 71,5  | -     | -              | 84,1  | 1             | 1,36        | Std or reverse mount | PHH WSK     |
| SF             | 127,0      | 31,8  | 79,4  | -     | -              | 98,4  | 1             | 1,81        | Std or reverse mount | PHH WSF     |
| E              | 158,8      | 41,3  | 97,3  | -     | -              | 127,0 | 1             | 4,08        | Std or reverse mount | PHH WE      |
| F              | 177,8      | 63,5  | 112,7 | -     | -              | 142,9 | 1             | 7,26        | Std or reverse mount | PHH WF      |
| J              | 196,9      | 81,0  | 130,6 | -     | -              | 158,8 | 1             | 10,21       | Std or reverse mount | PHH WJ      |
| M              | 241,3      | 131,8 | 164,9 | 235,0 | 90,5           | 200,0 | 2             | 22,69       | Std mount only       | PHH WM      |
| N              | 266,7      | 158,8 | 177,5 | 260,4 | 114,3          | 215,9 | 2             | 34,03       | Std mount only       | PHH WN      |
| P              | 330,2      | 184,2 | 209,3 | -     | -              | 254,0 | 2             | 70,33       | Std mount only       | PHH WP      |
| W              | 393,7      | 228,6 | 265,1 | -     | -              | 323,9 | 2             | 136,12      | Std mount only       | PHH WW      |
| S              | 495,3      | 304,8 | 308,0 | 476,3 | -              | 381,0 | 2             | 253,18      | Std mount only       | PHH WS      |

# SKF FX Keyless Bushings range



- FX 10**
- Medium torque
  - Not self-centering
  - Medium surface pressures
  - No axial hub movement
  - H11 – h11 tolerances



- FX 20**
- Medium torque
  - Self-centering
  - H8 – h8 tolerances



- FX 30**
- Low torque
  - Medium surface pressures
  - Taper rings only



- FX 40**
- High torque
  - Self-centering
  - Medium surface pressures
  - H8 – h8 tolerances



- FX 41**
- Medium torque
  - Reduced length
  - Medium self-centering
  - High surface pressures
  - H8 – h8 tolerances



- FX 50**
- Medium torque
  - Self-centering
  - Low surface pressures
  - No axial hub movement
  - H8 – h8 tolerances



- FX 51**
- Medium torque
  - Reduced length
  - High surface pressures
  - No axial hub movement
  - H8 – h8 tolerances



- FX 52**
- High torque
  - Self-centering
  - Low-medium surface pressures
  - H8 – h8 tolerances



- FX 60**
- Very high torque
  - Self-centering
  - Medium surface pressures
  - No axial hub movement
  - H8 – h8 tolerances



- FX 80**
- Low torque
  - Short length
  - Not self-centering
  - Low surface pressures
  - H8 – h8 tolerances



- FX 90**
- Low-medium torque
  - Short length
  - Self-centering
  - Low surface pressures
  - H8 – h8 tolerances



- FX 120**
- Medium torque
  - Reduced length
  - Medium self-centering
  - High surface pressures
  - H8 – h8 tolerances



- FX 130**
- Low-medium torque
  - h8 tolerances



- FX 140**
- Medium torque
  - Reduced length
  - High surface pressures
  - H8 – h8 tolerances



- FX 190**
- High torque
  - No axial hub movement
  - h8 tolerances



- FX 350**
- Low-medium torque
  - Short length
  - Self-centering
  - Low surface pressures
  - H8 – h8 tolerances

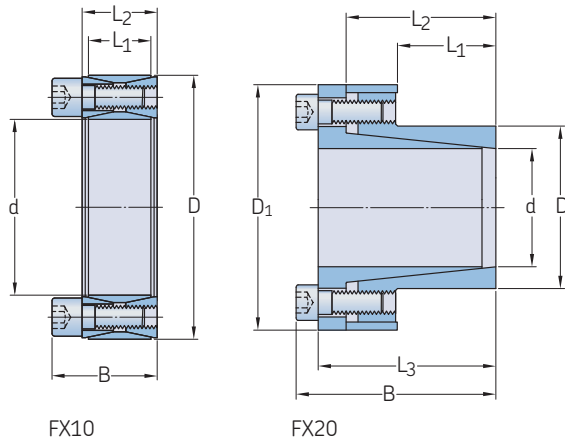


- FX 400**
- High torque
  - Self-centering
  - Low surface pressures
  - No axial hub movement
  - H8 – h8 tolerances

Refer to SKF FX Keyless Bushings PUB PT/P1 10114 EN for other available models.

FX keyless bushings

FX10



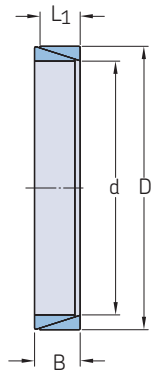
| Bushings no. | Dimensions |     |                |                |                |      |                | Transmissible axial force<br>$F_t$ | Transmissible torque<br>$M_t$ | Shaft surface pressure<br>$P_w$ | Hub surface pressure<br>$P_n$ | Clamp screws<br>Quantity | Clamp screws size | Screw tightening torque<br>$M_s$ | Mass             | Designation      |
|--------------|------------|-----|----------------|----------------|----------------|------|----------------|------------------------------------|-------------------------------|---------------------------------|-------------------------------|--------------------------|-------------------|----------------------------------|------------------|------------------|
|              | d          | D   | L <sub>1</sub> | L <sub>2</sub> | L <sub>3</sub> | B    | D <sub>1</sub> |                                    |                               |                                 |                               |                          |                   |                                  |                  |                  |
| -            | mm         |     |                |                |                |      |                | kN                                 | Nm                            | N/mm <sup>2</sup>               |                               |                          | Nm                | kg                               | -                |                  |
| <b>FX10</b>  | 20         | 47  | 17             | 20,0           | -              | 27,5 | -              | 27,0                               | 240                           | 210                             | 90                            | 8                        | M6                | 15,0                             | 0,20             | PHF FX10-20X47   |
|              | 22         | 47  | 17             | 20,0           | -              | 27,5 | -              | 27,0                               | 300                           | 195                             | 90                            | 8                        | M6                | 15,0                             | 0,20             | PHF FX10-22X47   |
|              | 24         | 50  | 17             | 20,0           | -              | 27,5 | -              | 30,0                               | 360                           | 195                             | 95                            | 8                        | M6                | 15,0                             | 0,30             | PHF FX10-24X50   |
|              | 25         | 50  | 17             | 20,0           | -              | 27,5 | -              | 30,0                               | 380                           | 190                             | 95                            | 8                        | M6                | 15,0                             | 0,30             | PHF FX10-25X50   |
|              | 28         | 55  | 17             | 20,0           | -              | 27,5 | -              | 33,0                               | 470                           | 185                             | 95                            | 10                       | M6                | 15,0                             | 0,30             | PHF FX10-28X55   |
|              | 30         | 55  | 17             | 20,0           | -              | 27,5 | -              | 33,0                               | 500                           | 175                             | 95                            | 10                       | M6                | 15,0                             | 0,30             | PHF FX10-30X55   |
|              | 32         | 60  | 17             | 20,0           | -              | 27,5 | -              | 40,0                               | 630                           | 192                             | 105                           | 12                       | M6                | 15,0                             | 0,30             | PHF FX10-32X60   |
|              | 35         | 60  | 17             | 20,0           | -              | 27,5 | -              | 40,0                               | 700                           | 180                             | 105                           | 12                       | M6                | 15,0                             | 0,30             | PHF FX10-35X60   |
|              | 38         | 65  | 17             | 20,0           | -              | 27,5 | -              | 46,0                               | 870                           | 188                             | 110                           | 14                       | M6                | 15,0                             | 0,40             | PHF FX10-38X65   |
|              | 40         | 65  | 17             | 20,0           | -              | 27,5 | -              | 46,0                               | 920                           | 180                             | 110                           | 14                       | M6                | 15,0                             | 0,30             | PHF FX10-40X65   |
|              | 42         | 75  | 20             | 24,0           | -              | 33,5 | -              | 72,0                               | 1 500                         | 226                             | 125                           | 12                       | M8                | 37,0                             | 0,60             | PHF FX10-42X75   |
|              | 45         | 75  | 20             | 24,0           | -              | 33,5 | -              | 72,0                               | 1 610                         | 210                             | 125                           | 12                       | M8                | 37,0                             | 0,60             | PHF FX10-45X75   |
|              | 48         | 80  | 20             | 24,0           | -              | 33,5 | -              | 71,0                               | 1 700                         | 196                             | 115                           | 12                       | M8                | 37,0                             | 0,60             | PHF FX10-48X80   |
|              | 50         | 80  | 20             | 24,0           | -              | 33,5 | -              | 71,0                               | 1 770                         | 190                             | 115                           | 12                       | M8                | 37,0                             | 0,60             | PHF FX10-50X80   |
|              | 55         | 85  | 20             | 24,0           | -              | 33,5 | -              | 83,0                               | 2 270                         | 200                             | 130                           | 14                       | M8                | 37,0                             | 0,60             | PHF FX10-55X85   |
|              | 60         | 90  | 20             | 24,0           | -              | 33,5 | -              | 83,0                               | 2 470                         | 180                             | 120                           | 14                       | M8                | 37,0                             | 0,70             | PHF FX10-60X90   |
|              | 65         | 95  | 20             | 24,0           | -              | 33,5 | -              | 93,0                               | 3 040                         | 190                             | 130                           | 16                       | M8                | 37,0                             | 0,70             | PHF FX10-65X95   |
|              | 70         | 110 | 24             | 28,0           | -              | 39,5 | -              | 132,0                              | 4 600                         | 210                             | 130                           | 14                       | M10               | 70,0                             | 1,30             | PHF FX10-70X110  |
|              | 75         | 115 | 24             | 28,0           | -              | 39,5 | -              | 131,0                              | 4 900                         | 195                             | 125                           | 14                       | M10               | 70,0                             | 1,30             | PHF FX10-75X115  |
|              | 80         | 120 | 24             | 28,0           | -              | 39,5 | -              | 131,0                              | 5 200                         | 180                             | 120                           | 14                       | M10               | 70,0                             | 1,40             | PHF FX10-80X120  |
|              | 85         | 125 | 24             | 28,0           | -              | 39,5 | -              | 148,0                              | 6 300                         | 195                             | 130                           | 16                       | M10               | 70,0                             | 1,40             | PHF FX10-85X125  |
|              | 90         | 130 | 24             | 28,0           | -              | 39,5 | -              | 147,0                              | 6 600                         | 180                             | 125                           | 16                       | M10               | 70,0                             | 1,50             | PHF FX10-90X130  |
|              | 95         | 135 | 24             | 28,0           | -              | 39,5 | -              | 167,0                              | 7 900                         | 195                             | 135                           | 18                       | M10               | 70,0                             | 1,60             | PHF FX10-95X135  |
|              | 100        | 145 | 26             | 33,0           | -              | 47,0 | -              | 192,0                              | 9 600                         | 195                             | 135                           | 14                       | M12               | 127,0                            | 2,20             | PHF FX10-100X145 |
|              | 110        | 155 | 26             | 33,0           | -              | 47,0 | -              | 191,0                              | 10 500                        | 180                             | 125                           | 14                       | M12               | 127,0                            | 2,50             | PHF FX10-110X155 |
|              | 120        | 165 | 26             | 33,0           | -              | 47,0 | -              | 218,0                              | 13 100                        | 185                             | 135                           | 16                       | M12               | 127,0                            | 2,60             | PHF FX10-120X165 |
|              | 130        | 180 | 34             | 38,0           | -              | 52,0 | -              | 272,0                              | 17 600                        | 165                             | 115                           | 20                       | M12               | 127,0                            | 3,80             | PHF FX10-130X180 |
|              | 140        | 190 | 34             | 38,0           | -              | 52,0 | -              | 298,0                              | 20 900                        | 165                             | 125                           | 22                       | M12               | 127,0                            | 3,90             | PHF FX10-140X190 |
|              | 150        | 200 | 34             | 38,0           | -              | 52,0 | -              | 324,0                              | 24 200                        | 170                             | 125                           | 24                       | M12               | 127,0                            | 4,00             | PHF FX10-150X200 |
|              | 160        | 210 | 34             | 38,0           | -              | 52,0 | -              | 350,0                              | 28 000                        | 170                             | 130                           | 26                       | M12               | 127,0                            | 4,30             | PHF FX10-160X210 |
|              | 170        | 225 | 38             | 44,0           | -              | 60,0 | -              | 386,0                              | 32 800                        | 160                             | 120                           | 22                       | M14               | 195,0                            | 5,80             | PHF FX10-170X225 |
|              | 180        | 235 | 38             | 44,0           | -              | 60,0 | -              | 420,0                              | 37 800                        | 165                             | 125                           | 24                       | M14               | 195,0                            | 6,00             | PHF FX10-180X235 |
|              | 190        | 250 | 46             | 52,0           | -              | 68,0 | -              | 490,0                              | 46 500                        | 150                             | 115                           | 28                       | M14               | 195,0                            | 8,50             | PHF FX10-190X250 |
|              | 200        | 260 | 46             | 52,0           | -              | 68,0 | -              | 525,0                              | 52 500                        | 150                             | 115                           | 30                       | M14               | 195,0                            | 8,60             | PHF FX10-200X260 |
|              | 220        | 285 | 50             | 56,0           | -              | 74,0 | -              | 620,0                              | 68 000                        | 150                             | 115                           | 26                       | M16               | 300,0                            | 11,00            | PHF FX10-220X285 |
|              | 240        | 305 | 50             | 56,0           | -              | 74,0 | -              | 715,0                              | 85 500                        | 160                             | 125                           | 30                       | M16               | 300,0                            | 12,00            | PHF FX10-240X305 |
| 260          | 325        | 50  | 56,0           | -              | 74,0           | -    | 800,0          | 104 000                            | 165                           | 130                             | 34                            | M16                      | 300,0             | 13,00                            | PHF FX10-260X325 |                  |
| 280          | 355        | 60  | 66,0           | -              | 86,5           | -    | 915,0          | 128 000                            | 145                           | 115                             | 32                            | M18                      | 410,0             | 19,00                            | PHF FX10-280X355 |                  |
| 300          | 375        | 60  | 66,0           | -              | 86,5           | -    | 1020,0         | 153 000                            | 150                           | 120                             | 36                            | M18                      | 410,0             | 20,00                            | PHF FX10-300X375 |                  |
| 320          | 405        | 72  | 78,0           | -              | 100,5          | -    | 1310,0         | 210 000                            | 150                           | 120                             | 36                            | M20                      | 590,0             | 30,00                            | PHF FX10-320X405 |                  |
| 340          | 425        | 72  | 78,0           | -              | 100,5          | -    | 1310,0         | 224 000                            | 145                           | 115                             | 36                            | M20                      | 590,0             | 30,10                            | PHF FX10-340X425 |                  |
| 360          | 455        | 84  | 90,0           | -              | 116,0          | -    | 1630,0         | 294 000                            | 145                           | 115                             | 36                            | M22                      | 790,0             | 42,00                            | PHF FX10-360X455 |                  |
| 380          | 475        | 84  | 90,0           | -              | 116,0          | -    | 1620,0         | 308 000                            | 135                           | 110                             | 36                            | M22                      | 790,0             | 44,00                            | PHF FX10-380X475 |                  |
| 400          | 495        | 84  | 90,0           | -              | 116,0          | -    | 1610,0         | 322 000                            | 130                           | 105                             | 36                            | M22                      | 790,0             | 46,00                            | PHF FX10-400X495 |                  |
| 420          | 515        | 84  | 90,0           | -              | 116,0          | -    | 1780,0         | 370 000                            | 135                           | 110                             | 40                            | M22                      | 790,0             | 50,00                            | PHF FX10-420X515 |                  |
| 440          | 545        | 96  | 102,0          | -              | 130,0          | -    | 2050,0         | 450 000                            | 130                           | 105                             | 40                            | M24                      | 1 000,0           | 65,00                            | PHF FX10-440X545 |                  |
| 460          | 565        | 96  | 102,0          | -              | 130,0          | -    | 2030,0         | 465 000                            | 125                           | 100                             | 40                            | M24                      | 1 000,0           | 67,00                            | PHF FX10-460X565 |                  |
| 480          | 585        | 96  | 102,0          | -              | 130,0          | -    | 2150,0         | 505 000                            | 125                           | 100                             | 42                            | M24                      | 1 000,0           | 71,00                            | PHF FX10-480X585 |                  |
| 500          | 605        | 96  | 102,0          | -              | 130,0          | -    | 2200,0         | 553 000                            | 125                           | 100                             | 44                            | M24                      | 1 000,0           | 73,00                            | PHF FX10-500X605 |                  |
| 520          | 630        | 96  | 102,0          | -              | 130,0          | -    | 2300,0         | 592 000                            | 125                           | 100                             | 45                            | M24                      | 1 000,0           | 80,00                            | PHF FX10-520X630 |                  |
| 540          | 650        | 96  | 102,0          | -              | 130,0          | -    | 2320,0         | 618 000                            | 120                           | 100                             | 45                            | M24                      | 1 000,0           | 82,00                            | PHF FX10-540X650 |                  |
| 560          | 670        | 96  | 102,0          | -              | 130,0          | -    | 2430,0         | 670 000                            | 120                           | 100                             | 48                            | M24                      | 1 000,0           | 85,00                            | PHF FX10-560X670 |                  |
| 580          | 690        | 96  | 102,0          | -              | 130,0          | -    | 2520,0         | 727 000                            | 120                           | 100                             | 50                            | M24                      | 1 000,0           | 88,00                            | PHF FX10-580X690 |                  |
| 600          | 710        | 96  | 102,0          | -              | 130,0          | -    | 2565,0         | 770 000                            | 120                           | 100                             | 50                            | M24                      | 1 000,0           | 91,00                            | PHF FX10-600X710 |                  |

# FX keyless bushings

FX10 | FX20

| Bushings no. | Dimensions |     |                |                |                |       |                | Transmissible axial force<br>F <sub>t</sub> | Transmissible torque<br>M <sub>t</sub> | Shaft surface pressure<br>P <sub>w</sub> | Hub surface pressure<br>P <sub>n</sub> | Clamp screws<br>Quantity | Clamp screws size | Screw tightening torque<br>M <sub>s</sub> | Mass              | Designation      |
|--------------|------------|-----|----------------|----------------|----------------|-------|----------------|---------------------------------------------|----------------------------------------|------------------------------------------|----------------------------------------|--------------------------|-------------------|-------------------------------------------|-------------------|------------------|
|              | d          | D   | L <sub>1</sub> | L <sub>2</sub> | L <sub>3</sub> | B     | D <sub>1</sub> |                                             |                                        |                                          |                                        |                          |                   |                                           |                   |                  |
| –            | mm         |     |                |                |                |       |                | kN                                          | Nm                                     | N/mm <sup>2</sup>                        |                                        |                          |                   | Nm                                        | kg                | –                |
| FX10         | 620        | 730 | 96             | 102,0          | –              | 130,0 | –              | 2647,0                                      | 818 000                                | 120                                      | 100                                    | 52                       | M24               | 1 000,0                                   | 93,00             | PHF FX10-620X730 |
|              | 640        | 750 | 96             | 102,0          | –              | 130,0 | –              | 2698,0                                      | 860 000                                | 115                                      | 100                                    | 54                       | M24               | 1 000,0                                   | 96,00             | PHF FX10-640X750 |
|              | 660        | 770 | 96             | 102,0          | –              | 130,0 | –              | 2790,0                                      | 919 000                                | 120                                      | 100                                    | 56                       | M24               | 1 000,0                                   | 99,00             | PHF FX10-660X770 |
|              | 680        | 790 | 96             | 102,0          | –              | 130,0 | –              | 2820,0                                      | 955 000                                | 115                                      | 100                                    | 56                       | M24               | 1 000,0                                   | 102,00            | PHF FX10-680X790 |
|              | 700        | 810 | 96             | 102,0          | –              | 130,0 | –              | 2945,0                                      | 1 018 000                              | 115                                      | 100                                    | 60                       | M24               | 1 000,0                                   | 104,00            | PHF FX10-700X810 |
|              | 720        | 830 | 96             | 102,0          | –              | 130,0 | –              | 2965,0                                      | 1 060 000                              | 115                                      | 100                                    | 60                       | M24               | 1 000,0                                   | 107,00            | PHF FX10-720X830 |
|              | 740        | 850 | 96             | 102,0          | –              | 130,0 | –              | 3065,0                                      | 1 128 000                              | 115                                      | 100                                    | 62                       | M24               | 1 000,0                                   | 110,00            | PHF FX10-740X850 |
|              | 760        | 870 | 96             | 102,0          | –              | 130,0 | –              | 3170,0                                      | 1 200 000                              | 115                                      | 100                                    | 64                       | M24               | 1 000,0                                   | 113,00            | PHF FX10-760X870 |
|              | 780        | 890 | 96             | 102,0          | –              | 130,0 | –              | 3205,0                                      | 1 235 000                              | 115                                      | 100                                    | 65                       | M24               | 1 000,0                                   | 116,00            | PHF FX10-780X890 |
|              | 800        | 910 | 96             | 102,0          | –              | 130,0 | –              | 3260,0                                      | 1 287 000                              | 115                                      | 100                                    | 66                       | M24               | 1 000,0                                   | 118,00            | PHF FX10-800X910 |
|              | 820        | 930 | 96             | 102,0          | –              | 130,0 | –              | 3330,0                                      | 1 360 000                              | 115                                      | 100                                    | 68                       | M24               | 1 000,0                                   | 121,00            | PHF FX10-820X930 |
|              | 840        | 950 | 96             | 102,0          | –              | 130,0 | –              | 3445,0                                      | 1 435 000                              | 115                                      | 100                                    | 70                       | M24               | 1 000,0                                   | 124,00            | PHF FX10-840X950 |
| 860          | 970        | 96  | 102,0          | –              | 130,0          | –     | 3525,0         | 1 510 000                                   | 115                                    | 100                                      | 72                                     | M24                      | 1 000,0           | 127,00                                    | PHF FX10-860X970  |                  |
| 880          | 990        | 96  | 102,0          | –              | 130,0          | –     | 3610,0         | 1 578 000                                   | 115                                    | 100                                      | 74                                     | M24                      | 1 000,0           | 129,00                                    | PHF FX10-880X990  |                  |
| 900          | 1 010      | 96  | 102,0          | –              | 130,0          | –     | 3660,0         | 1 635 000                                   | 115                                    | 100                                      | 75                                     | M24                      | 1 000,0           | 132,00                                    | PHF FX10-900X1010 |                  |
| FX20         | 6          | 14  | 10             | 18,5           | 21,0           | 24,0  | 25             | 4,5                                         | 13                                     | 190                                      | 80                                     | 3                        | M3                | 2,0                                       | 0,04              | PHF FX20-6X14    |
|              | 7          | 15  | 12             | 22,0           | 25,0           | 29,0  | 27             | 6,5                                         | 24                                     | 230                                      | 110                                    | 3                        | M4                | 4,9                                       | 0,06              | PHF FX20-7X15    |
|              | 8          | 15  | 12             | 22,0           | 25,0           | 29,0  | 27             | 6,7                                         | 25                                     | 210                                      | 110                                    | 3                        | M4                | 4,9                                       | 0,05              | PHF FX20-8X15    |
|              | 9          | 16  | 14             | 23,0           | 26,0           | 30,0  | 28             | 10,0                                        | 45                                     | 210                                      | 120                                    | 4                        | M4                | 4,9                                       | 0,06              | PHF FX20-9X16    |
|              | 10         | 16  | 14             | 23,0           | 26,0           | 30,0  | 28             | 10,0                                        | 49                                     | 180                                      | 120                                    | 4                        | M4                | 4,9                                       | 0,06              | PHF FX20-10X16   |
|              | 11         | 18  | 14             | 23,0           | 26,0           | 30,0  | 32             | 10,0                                        | 54                                     | 170                                      | 105                                    | 4                        | M4                | 4,9                                       | 0,07              | PHF FX20-11X18   |
|              | 12         | 18  | 14             | 23,0           | 26,0           | 30,0  | 32             | 10,0                                        | 60                                     | 155                                      | 105                                    | 4                        | M4                | 4,9                                       | 0,07              | PHF FX20-12X18   |
|              | 13         | 23  | 14             | 23,0           | 26,0           | 30,0  | 38             | 10,0                                        | 63                                     | 145                                      | 85                                     | 4                        | M4                | 4,9                                       | 0,11              | PHF FX20-13X23   |
|              | 14         | 23  | 14             | 23,0           | 26,0           | 30,0  | 38             | 10,0                                        | 70                                     | 135                                      | 85                                     | 4                        | M4                | 4,9                                       | 0,10              | PHF FX20-14X23   |
|              | 15         | 24  | 16             | 29,0           | 36,0           | 42,0  | 45             | 17,1                                        | 120                                    | 185                                      | 120                                    | 3                        | M6                | 17,0                                      | 0,22              | PHF FX20-15X24   |
|              | 16         | 24  | 16             | 29,0           | 36,0           | 42,0  | 45             | 17,1                                        | 140                                    | 180                                      | 120                                    | 3                        | M6                | 17,0                                      | 0,22              | PHF FX20-16X24   |
|              | 17         | 26  | 18             | 31,0           | 38,0           | 44,0  | 47             | 22,0                                        | 180                                    | 190                                      | 125                                    | 4                        | M6                | 17,0                                      | 0,25              | PHF FX20-17X26   |
|              | 18         | 26  | 18             | 31,0           | 38,0           | 44,0  | 47             | 22,0                                        | 200                                    | 180                                      | 125                                    | 4                        | M6                | 17,0                                      | 0,24              | PHF FX20-18X26   |
|              | 19         | 27  | 18             | 31,0           | 38,0           | 44,0  | 49             | 22,0                                        | 210                                    | 170                                      | 120                                    | 4                        | M6                | 17,0                                      | 0,26              | PHF FX20-19X27   |
|              | 20         | 28  | 18             | 31,0           | 38,0           | 44,0  | 50             | 22,0                                        | 220                                    | 160                                      | 115                                    | 4                        | M6                | 17,0                                      | 0,27              | PHF FX20-20X28   |
|              | 22         | 32  | 25             | 38,0           | 45,0           | 51,0  | 54             | 22,0                                        | 250                                    | 115                                      | 80                                     | 4                        | M6                | 17,0                                      | 0,34              | PHF FX20-22X32   |
|              | 24         | 34  | 25             | 38,0           | 45,0           | 51,0  | 56             | 22,0                                        | 270                                    | 105                                      | 75                                     | 4                        | M6                | 17,0                                      | 0,36              | PHF FX20-24X34   |
|              | 25         | 34  | 25             | 38,0           | 45,0           | 51,0  | 56             | 22,0                                        | 290                                    | 100                                      | 75                                     | 4                        | M6                | 17,0                                      | 0,35              | PHF FX20-25X34   |
|              | 28         | 39  | 25             | 38,0           | 45,0           | 51,0  | 61             | 33,0                                        | 465                                    | 135                                      | 100                                    | 6                        | M6                | 17,0                                      | 0,48              | PHF FX20-28X39   |
|              | 30         | 41  | 25             | 38,0           | 45,0           | 51,0  | 62             | 33,0                                        | 510                                    | 125                                      | 90                                     | 6                        | M6                | 17,0                                      | 0,48              | PHF FX20-30X41   |
|              | 32         | 43  | 25             | 38,0           | 45,0           | 51,0  | 65             | 33,0                                        | 540                                    | 120                                      | 90                                     | 6                        | M6                | 17,0                                      | 0,47              | PHF FX20-32X43   |
|              | 35         | 47  | 32             | 45,0           | 52,0           | 58,0  | 69             | 45,0                                        | 790                                    | 105                                      | 80                                     | 8                        | M6                | 17,0                                      | 0,58              | PHF FX20-35X47   |
|              | 38         | 50  | 32             | 45,0           | 52,0           | 58,0  | 72             | 45,0                                        | 860                                    | 100                                      | 75                                     | 8                        | M6                | 17,0                                      | 0,61              | PHF FX20-38X50   |
|              | 40         | 53  | 32             | 45,0           | 52,0           | 58,0  | 75             | 45,0                                        | 900                                    | 95                                       | 70                                     | 8                        | M6                | 17,0                                      | 0,68              | PHF FX20-40X53   |
|              | 42         | 55  | 32             | 45,0           | 52,0           | 58,0  | 78             | 45,0                                        | 950                                    | 90                                       | 70                                     | 8                        | M6                | 17,0                                      | 0,76              | PHF FX20-42X55   |
|              | 45         | 59  | 45             | 62,0           | 70,0           | 78,0  | 86             | 84,0                                        | 1 890                                  | 110                                      | 85                                     | 8                        | M8                | 41,0                                      | 1,20              | PHF FX20-45X59   |
|              | 48         | 62  | 45             | 62,0           | 70,0           | 78,0  | 87             | 84,0                                        | 2 010                                  | 105                                      | 80                                     | 8                        | M8                | 41,0                                      | 1,20              | PHF FX20-48X62   |
|              | 50         | 65  | 45             | 62,0           | 70,0           | 78,0  | 92             | 84,0                                        | 2 100                                  | 100                                      | 75                                     | 8                        | M8                | 41,0                                      | 1,40              | PHF FX20-50X65   |
|              | 55         | 71  | 55             | 72,0           | 80,0           | 88,0  | 98             | 94,0                                        | 2 600                                  | 85                                       | 65                                     | 9                        | M8                | 41,0                                      | 1,60              | PHF FX20-55X71   |
|              | 60         | 77  | 55             | 72,0           | 80,0           | 88,0  | 104            | 94,0                                        | 2 840                                  | 75                                       | 60                                     | 9                        | M8                | 41,0                                      | 1,80              | PHF FX20-60X77   |
|              | 65         | 84  | 55             | 72,0           | 80,0           | 88,0  | 111            | 94,0                                        | 3 070                                  | 70                                       | 55                                     | 9                        | M8                | 41,0                                      | 2,10              | PHF FX20-65X84   |
|              | 70         | 90  | 65             | 86,0           | 96,0           | 106,0 | 119            | 150,0                                       | 5 250                                  | 90                                       | 70                                     | 9                        | M10               | 83,0                                      | 3,00              | PHF FX20-70X90   |
|              | 75         | 95  | 65             | 86,0           | 96,0           | 106,0 | 126            | 150,0                                       | 5 600                                  | 80                                       | 65                                     | 9                        | M10               | 83,0                                      | 3,00              | PHF FX20-75X95   |
|              | 80         | 100 | 65             | 86,0           | 96,0           | 106,0 | 131            | 200,0                                       | 8 020                                  | 100                                      | 80                                     | 12                       | M10               | 83,0                                      | 3,50              | PHF FX20-80X100  |
|              | 85         | 106 | 65             | 86,0           | 96,0           | 106,0 | 137            | 200,0                                       | 8 500                                  | 95                                       | 75                                     | 12                       | M10               | 83,0                                      | 3,60              | PHF FX20-85X106  |
|              | 90         | 112 | 65             | 86,0           | 96,0           | 106,0 | 144            | 200,0                                       | 9 000                                  | 90                                       | 75                                     | 12                       | M10               | 83,0                                      | 3,90              | PHF FX20-90X112  |
| 95           | 120        | 65  | 86,0           | 96,0           | 106,0          | 149   | 230,0          | 11 000                                      | 100                                    | 80                                       | 14                                     | M10                      | 83,0              | 4,40                                      | PHF FX20-95X120   |                  |
| 100          | 125        | 65  | 86,0           | 96,0           | 106,0          | 154   | 300,0          | 15 000                                      | 120                                    | 95                                       | 18                                     | M10                      | 83,0              | 4,60                                      | PHF FX20-100X125  |                  |
| 110          | 140        | 90  | 114,0          | 128,0          | 140,0          | 180   | 290,0          | 16 000                                      | 80                                     | 65                                       | 12                                     | M12                      | 145,0             | 8,70                                      | PHF FX20-110X140  |                  |
| 120          | 155        | 90  | 114,0          | 128,0          | 140,0          | 198   | 290,0          | 17 500                                      | 70                                     | 55                                       | 12                                     | M12                      | 145,0             | 10,60                                     | PHF FX20-120X155  |                  |
| 130          | 165        | 90  | 114,0          | 128,0          | 140,0          | 208   | 384,0          | 25 000                                      | 90                                     | 70                                       | 16                                     | M12                      | 145,0             | 11,30                                     | PHF FX20-130X165  |                  |

FX keyless bushings  
FX30



FX30

| Bushings no. | Dimensions |      |       |       | Transmissible axial force<br>$F_t$ | Transmissible torque<br>$M_t$ | Shaft surface pressure<br>$P_w$ | Hub surface pressure<br>$P_n$ | Mass             | Designation    |
|--------------|------------|------|-------|-------|------------------------------------|-------------------------------|---------------------------------|-------------------------------|------------------|----------------|
|              | d          | D    | $L_1$ | B     |                                    |                               |                                 |                               |                  |                |
| -            | mm         |      |       |       | kN                                 | Nm                            | N/mm <sup>2</sup>               |                               | kg               | -              |
| FX30         | 6          | 9    | 3,7   | 4,5   | 0,8                                | 3                             | 115                             | 75                            | 0,002            | PHF FX30-6X9   |
|              | 7          | 10   | 3,7   | 4,5   | 0,9                                | 3                             | 105                             | 70                            | 0,002            | PHF FX30-7X10  |
|              | 8          | 11   | 3,7   | 4,5   | 1,2                                | 5                             | 120                             | 90                            | 0,002            | PHF FX30-8X11  |
|              | 9          | 12   | 3,7   | 4,5   | 1,8                                | 8                             | 140                             | 105                           | 0,002            | PHF FX30-9X12  |
|              | 10         | 13   | 3,7   | 4,5   | 1,9                                | 10                            | 135                             | 105                           | 0,002            | PHF FX30-10X13 |
|              | 12         | 15   | 3,7   | 4,5   | 1,9                                | 11                            | 115                             | 90                            | 0,002            | PHF FX30-12X15 |
|              | 13         | 16   | 3,7   | 4,5   | 2,0                                | 13                            | 110                             | 90                            | 0,002            | PHF FX30-13X16 |
|              | 14         | 18   | 5,3   | 6,3   | 3,2                                | 22                            | 115                             | 90                            | 0,005            | PHF FX30-14X18 |
|              | 15         | 19   | 5,3   | 6,3   | 3,2                                | 24                            | 110                             | 85                            | 0,005            | PHF FX30-15X19 |
|              | 16         | 20   | 5,3   | 6,3   | 3,4                                | 27                            | 105                             | 85                            | 0,006            | PHF FX30-16X20 |
|              | 17         | 21   | 5,3   | 6,3   | 3,5                                | 30                            | 105                             | 85                            | 0,006            | PHF FX30-17X21 |
|              | 18         | 22   | 5,3   | 6,3   | 3,6                                | 32                            | 100                             | 80                            | 0,007            | PHF FX30-18X22 |
|              | 19         | 24   | 5,3   | 6,3   | 5,2                                | 49                            | 140                             | 110                           | 0,007            | PHF FX30-19X24 |
|              | 20         | 25   | 5,3   | 6,3   | 5,3                                | 53                            | 135                             | 105                           | 0,009            | PHF FX30-20X25 |
|              | 22         | 26   | 5,3   | 6,3   | 6,0                                | 66                            | 135                             | 115                           | 0,007            | PHF FX30-22X26 |
|              | 24         | 28   | 5,3   | 6,3   | 6,1                                | 73                            | 130                             | 110                           | 0,008            | PHF FX30-24X28 |
|              | 25         | 30   | 5,3   | 6,3   | 5,8                                | 72                            | 115                             | 95                            | 0,009            | PHF FX30-25X30 |
|              | 28         | 32   | 5,3   | 6,3   | 6,3                                | 86                            | 115                             | 100                           | 0,010            | PHF FX30-28X32 |
|              | 30         | 35   | 5,3   | 6,3   | 6,1                                | 91                            | 100                             | 85                            | 0,011            | PHF FX30-30X35 |
|              | 32         | 36   | 5,3   | 6,3   | 8,2                                | 131                           | 130                             | 115                           | 0,011            | PHF FX30-32X36 |
|              | 35         | 40   | 6,0   | 7,0   | 9,8                                | 171                           | 125                             | 110                           | 0,016            | PHF FX30-35X40 |
|              | 36         | 42   | 6,0   | 7,0   | 9,4                                | 169                           | 115                             | 100                           | 0,021            | PHF FX30-36X42 |
|              | 38         | 44   | 6,0   | 7,0   | 9,6                                | 181                           | 110                             | 95                            | 0,021            | PHF FX30-38X44 |
| 40           | 45         | 6,6  | 8,0   | 11,6  | 231                                | 115                           | 105                             | 0,021                         | PHF FX30-40X45   |                |
| 42           | 48         | 6,6  | 8,0   | 11,2  | 235                                | 110                           | 95                              | 0,026                         | PHF FX30-42X48   |                |
| 45           | 52         | 8,6  | 10,0  | 15,7  | 353                                | 105                           | 95                              | 0,045                         | PHF FX30-45X52   |                |
| 48           | 55         | 8,6  | 10,0  | 23,8  | 572                                | 155                           | 135                             | 0,043                         | PHF FX30-48X55   |                |
| 50           | 57         | 8,6  | 10,0  | 24,1  | 602                                | 150                           | 130                             | 0,045                         | PHF FX30-50X57   |                |
| 55           | 62         | 8,6  | 10,0  | 24,4  | 670                                | 140                           | 125                             | 0,049                         | PHF FX30-55X62   |                |
| 56           | 64         | 10,4 | 12,0  | 28,2  | 790                                | 130                           | 115                             | 0,070                         | PHF FX30-56X64   |                |
| 60           | 68         | 10,4 | 12,0  | 28,6  | 860                                | 125                           | 110                             | 0,070                         | PHF FX30-60X68   |                |
| 63           | 71         | 10,4 | 12,0  | 28,8  | 910                                | 120                           | 105                             | 0,080                         | PHF FX30-63X71   |                |
| 65           | 73         | 10,4 | 12,0  | 29,2  | 950                                | 115                           | 100                             | 0,090                         | PHF FX30-65X73   |                |
| 70           | 79         | 12,2 | 14,0  | 39,4  | 1 380                              | 125                           | 110                             | 0,115                         | PHF FX30-70X79   |                |
| 71           | 80         | 12,2 | 14,0  | 39,4  | 1 400                              | 120                           | 110                             | 0,110                         | PHF FX30-71X80   |                |
| 75           | 84         | 12,2 | 14,0  | 38,6  | 1 450                              | 115                           | 100                             | 0,120                         | PHF FX30-75X84   |                |
| 80           | 91         | 15,0 | 17,0  | 55,0  | 2 200                              | 125                           | 105                             | 0,210                         | PHF FX30-80X91   |                |
| 85           | 96         | 15,0 | 17,0  | 56,4  | 2 400                              | 120                           | 105                             | 0,210                         | PHF FX30-85X96   |                |
| 90           | 101        | 15,0 | 17,0  | 60,5  | 2 730                              | 120                           | 105                             | 0,220                         | PHF FX30-90X101  |                |
| 95           | 106        | 15,0 | 17,0  | 64,2  | 3 050                              | 120                           | 110                             | 0,230                         | PHF FX30-95X106  |                |
| 100          | 114        | 18,7 | 21,0  | 84,0  | 4 200                              | 120                           | 105                             | 0,390                         | PHF FX30-100X114 |                |
| 110          | 124        | 18,7 | 21,0  | 93,6  | 5 150                              | 120                           | 105                             | 0,420                         | PHF FX30-110X124 |                |
| 120          | 134        | 18,7 | 21,0  | 100,8 | 6 050                              | 120                           | 105                             | 0,460                         | PHF FX30-120X134 |                |
| 130          | 148        | 25,3 | 28,0  | 147,6 | 9 600                              | 120                           | 105                             | 0,860                         | PHF FX30-130X148 |                |
| 140          | 158        | 25,3 | 28,0  | 158,5 | 11 000                             | 120                           | 105                             | 0,960                         | PHF FX30-140X158 |                |
| 150          | 168        | 25,3 | 28,0  | 172,0 | 12 900                             | 120                           | 105                             | 1,000                         | PHF FX30-150X168 |                |
| 160          | 178        | 25,3 | 28,0  | 182,5 | 14 600                             | 120                           | 110                             | 1,000                         | PHF FX30-160X178 |                |
| 170          | 191        | 30,0 | 33,0  | 229,0 | 19 500                             | 120                           | 105                             | 1,540                         | PHF FX30-170X191 |                |
| 180          | 201        | 30,0 | 33,0  | 236,0 | 21 300                             | 120                           | 105                             | 1,500                         | PHF FX30-180X201 |                |
| 190          | 211        | 30,0 | 33,0  | 255,0 | 24 200                             | 120                           | 110                             | 1,800                         | PHF FX30-190X211 |                |
| 200          | 224        | 34,8 | 38,0  | 310,0 | 31 000                             | 120                           | 105                             | 2,400                         | PHF FX30-200X224 |                |
| 210          | 234        | 34,8 | 38,0  | 333,0 | 35 000                             | 120                           | 110                             | 2,500                         | PHF FX30-210X234 |                |
| 220          | 244        | 34,8 | 38,0  | 345,0 | 38 000                             | 120                           | 110                             | 2,600                         | PHF FX30-220X244 |                |
| 230          | 257        | 39,5 | 43,0  | 408,0 | 47 000                             | 120                           | 105                             | 3,400                         | PHF FX30-230X257 |                |



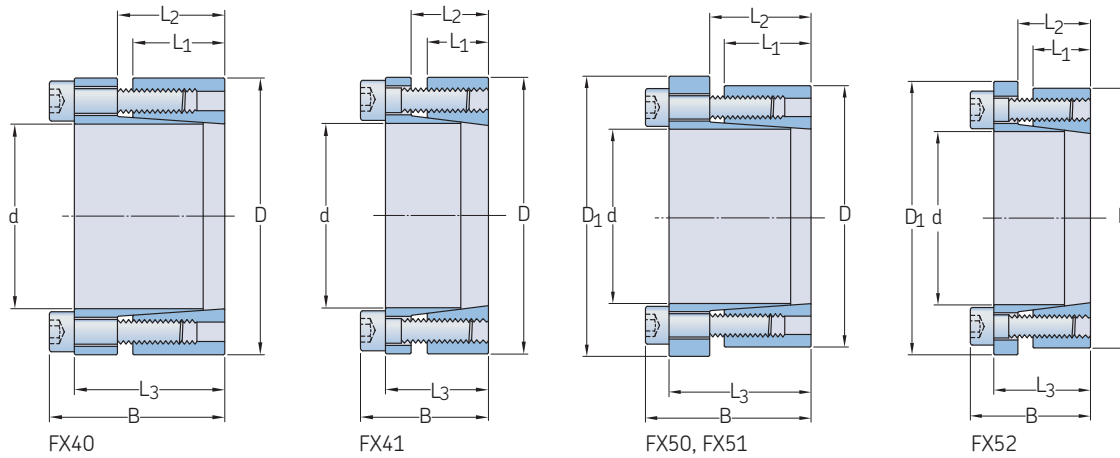
# FX keyless bushings

## FX30

| Bushing no. | Dimensions |     |       |      | Transmissible axial force<br>$F_t$ | Transmissible torque<br>$M_t$ | Shaft surface pressure<br>$P_w$ | Hub surface pressure<br>$P_h$ | Mass   | Designation      |
|-------------|------------|-----|-------|------|------------------------------------|-------------------------------|---------------------------------|-------------------------------|--------|------------------|
|             | d          | D   | $L_1$ | B    |                                    |                               |                                 |                               |        |                  |
| –           | mm         |     |       |      | kN                                 | Nm                            | N/mm <sup>2</sup>               |                               | kg     | –                |
| FX30        | 240        | 267 | 39,5  | 43,0 | 425,0                              | 51 000                        | 120                             | 110                           | 3,800  | PHF FX30-240X267 |
|             | 250        | 280 | 44,0  | 48,0 | 415,0                              | 52 000                        | 100                             | 90                            | 4,800  | PHF FX30-250X280 |
|             | 260        | 290 | 44,0  | 48,0 | 435,0                              | 56 500                        | 100                             | 90                            | 4,900  | PHF FX30-260X290 |
|             | 270        | 300 | 44,0  | 48,0 | 450,0                              | 61 000                        | 100                             | 90                            | 5,000  | PHF FX30-270X300 |
|             | 280        | 313 | 49,0  | 53,0 | 520,0                              | 72 500                        | 100                             | 90                            | 6,400  | PHF FX30-280X313 |
|             | 290        | 323 | 49,0  | 53,0 | 535,0                              | 77 500                        | 100                             | 90                            | 6,500  | PHF FX30-290X323 |
|             | 300        | 333 | 49,0  | 53,0 | 555,0                              | 83 000                        | 100                             | 90                            | 6,800  | PHF FX30-300X333 |
|             | 320        | 360 | 59,0  | 65,0 | 710,0                              | 114 000                       | 100                             | 90                            | 11,000 | PHF FX30-320X360 |
|             | 340        | 380 | 59,0  | 65,0 | 755,0                              | 128 500                       | 100                             | 90                            | 11,500 | PHF FX30-340X380 |
|             | 360        | 400 | 59,0  | 65,0 | 800,0                              | 144 000                       | 100                             | 90                            | 12,300 | PHF FX30-360X400 |
|             | 380        | 420 | 59,0  | 65,0 | 845,0                              | 160 500                       | 100                             | 90                            | 13,000 | PHF FX30-380X420 |
|             | 400        | 440 | 59,0  | 65,0 | 890,0                              | 178 000                       | 100                             | 90                            | 13,700 | PHF FX30-400X440 |
|             | 420        | 460 | 59,0  | 65,0 | 935,0                              | 196 000                       | 100                             | 90                            | 14,100 | PHF FX30-420X460 |
|             | 440        | 480 | 59,0  | 65,0 | 980,0                              | 215 000                       | 100                             | 90                            | 14,800 | PHF FX30-440X480 |
|             | 460        | 500 | 59,0  | 65,0 | 1020,0                             | 235 000                       | 100                             | 90                            | 15,500 | PHF FX30-460X500 |
|             | 480        | 520 | 59,0  | 65,0 | 1070,0                             | 256 000                       | 100                             | 90                            | 16,000 | PHF FX30-480X520 |
|             | 500        | 540 | 59,0  | 65,0 | 1110,0                             | 278 000                       | 100                             | 90                            | 16,700 | PHF FX30-500X540 |
|             | 520        | 570 | 73,0  | 80,0 | 1430,0                             | 372 000                       | 100                             | 90                            | 27,000 | PHF FX30-520X570 |
|             | 540        | 590 | 73,0  | 80,0 | 1480,0                             | 400 000                       | 100                             | 90                            | 28,000 | PHF FX30-540X590 |

FX keyless bushings

FX40 | FX41



| Bushings no. | Dimensions |     |                |                |                |      |                | Transmissible axial force<br>$F_t$ | Transmissible torque<br>$M_t$ | Shaft surface pressure<br>$P_w$ | Hub surface pressure<br>$P_n$ | Clamp screws<br>Quantity | Clamp screws size | Screw tightening torque<br>$M_s$ | Mass             | Designation     |
|--------------|------------|-----|----------------|----------------|----------------|------|----------------|------------------------------------|-------------------------------|---------------------------------|-------------------------------|--------------------------|-------------------|----------------------------------|------------------|-----------------|
|              | d          | D   | L <sub>1</sub> | L <sub>2</sub> | L <sub>3</sub> | B    | D <sub>1</sub> |                                    |                               |                                 |                               |                          |                   |                                  |                  |                 |
|              | mm         |     |                |                |                |      |                | kN                                 | Nm                            | N/mm <sup>2</sup>               |                               |                          | Nm                | kg                               |                  |                 |
| FX40         | 20         | 47  | 26             | 29,0           | 42,0           | 48,0 | -              | 54,0                               | 540                           | 250                             | 105                           | 6                        | M6                | 17,0                             | 0,40             | PHF FX40-20X47  |
|              | 22         | 47  | 26             | 29,0           | 42,0           | 48,0 | -              | 54,0                               | 600                           | 230                             | 105                           | 6                        | M6                | 17,0                             | 0,40             | PHF FX40-22X47  |
|              | 24         | 50  | 26             | 29,0           | 42,0           | 48,0 | -              | 54,0                               | 650                           | 210                             | 100                           | 6                        | M6                | 17,0                             | 0,40             | PHF FX40-24X50  |
|              | 25         | 50  | 26             | 29,0           | 42,0           | 48,0 | -              | 54,0                               | 680                           | 200                             | 100                           | 6                        | M6                | 17,0                             | 0,40             | PHF FX40-25X50  |
|              | 28         | 55  | 26             | 29,0           | 42,0           | 48,0 | -              | 54,0                               | 760                           | 180                             | 95                            | 6                        | M6                | 17,0                             | 0,50             | PHF FX40-28X55  |
|              | 30         | 55  | 26             | 29,0           | 42,0           | 48,0 | -              | 54,0                               | 820                           | 170                             | 95                            | 6                        | M6                | 17,0                             | 0,50             | PHF FX40-30X55  |
|              | 32         | 60  | 26             | 29,0           | 42,0           | 48,0 | -              | 82,0                               | 1 310                         | 235                             | 125                           | 9                        | M6                | 17,0                             | 0,60             | PHF FX40-32X60  |
|              | 35         | 60  | 26             | 29,0           | 42,0           | 48,0 | -              | 82,0                               | 1 440                         | 215                             | 125                           | 9                        | M6                | 17,0                             | 0,50             | PHF FX40-35X60  |
|              | 38         | 65  | 26             | 29,0           | 42,0           | 48,0 | -              | 82,0                               | 1 560                         | 200                             | 115                           | 9                        | M6                | 17,0                             | 0,60             | PHF FX40-38X65  |
|              | 40         | 65  | 26             | 29,0           | 42,0           | 48,0 | -              | 82,0                               | 1 640                         | 190                             | 115                           | 9                        | M6                | 17,0                             | 0,60             | PHF FX40-40X65  |
|              | 42         | 75  | 30             | 34,4           | 51,0           | 59,0 | -              | 101,0                              | 2 130                         | 215                             | 120                           | 6                        | M8                | 41,0                             | 1,00             | PHF FX40-42X75  |
|              | 45         | 75  | 30             | 34,4           | 51,0           | 59,0 | -              | 101,0                              | 2 280                         | 200                             | 120                           | 6                        | M8                | 41,0                             | 1,00             | PHF FX40-45X75  |
|              | 48         | 80  | 30             | 34,4           | 51,0           | 59,0 | -              | 101,0                              | 2 430                         | 190                             | 115                           | 6                        | M8                | 41,0                             | 1,10             | PHF FX40-48X80  |
|              | 50         | 80  | 30             | 34,4           | 51,0           | 59,0 | -              | 101,0                              | 2 530                         | 180                             | 115                           | 6                        | M8                | 41,0                             | 1,00             | PHF FX40-50X80  |
|              | 55         | 85  | 30             | 34,4           | 51,0           | 59,0 | -              | 152,0                              | 4 180                         | 245                             | 160                           | 9                        | M8                | 41,0                             | 1,10             | PHF FX40-55X85  |
|              | 60         | 90  | 30             | 34,4           | 51,0           | 59,0 | -              | 152,0                              | 4 560                         | 225                             | 150                           | 9                        | M8                | 41,0                             | 1,20             | PHF FX40-60X90  |
|              | 65         | 95  | 30             | 34,4           | 51,0           | 59,0 | -              | 152,0                              | 4 940                         | 210                             | 145                           | 9                        | M8                | 41,0                             | 1,30             | PHF FX40-65X95  |
|              | 70         | 110 | 40             | 45,0           | 56,0           | 66,0 | -              | 186,0                              | 6 500                         | 175                             | 110                           | 7                        | M10               | 83,0                             | 2,20             | PHF FX40-70X110 |
|              | 75         | 115 | 40             | 45,0           | 56,0           | 66,0 | -              | 186,0                              | 9 000                         | 165                             | 110                           | 7                        | M10               | 83,0                             | 2,50             | PHF FX40-75X115 |
|              | 80         | 120 | 40             | 45,0           | 56,0           | 66,0 | -              | 186,0                              | 7 400                         | 155                             | 100                           | 7                        | M10               | 83,0                             | 2,60             | PHF FX40-80X120 |
| 85           | 125        | 40  | 45,0           | 56,0           | 66,0           | -    | 213,0          | 9 000                              | 170                           | 115                             | 8                             | M10                      | 83,0              | 2,80                             | PHF FX40-85X125  |                 |
| 90           | 130        | 40  | 45,0           | 56,0           | 66,0           | -    | 213,0          | 9 600                              | 160                           | 110                             | 8                             | M10                      | 83,0              | 2,70                             | PHF FX40-90X130  |                 |
| 95           | 135        | 40  | 45,0           | 56,0           | 66,0           | -    | 267,0          | 12 600                             | 185                           | 130                             | 10                            | M10                      | 83,0              | 2,90                             | PHF FX40-95X135  |                 |
| 100          | 145        | 46  | 52,0           | 65,0           | 77,0           | -    | 270,0          | 13 300                             | 160                           | 105                             | 7                             | M12                      | 145,0             | 3,90                             | PHF FX40-100X145 |                 |
| 110          | 155        | 46  | 52,0           | 65,0           | 77,0           | -    | 270,0          | 14 700                             | 140                           | 100                             | 7                             | M12                      | 145,0             | 4,20                             | PHF FX40-110X155 |                 |
| 120          | 165        | 46  | 52,0           | 65,0           | 77,0           | -    | 309,0          | 18 400                             | 150                           | 110                             | 8                             | M12                      | 145,0             | 4,80                             | PHF FX40-120X165 |                 |
| 130          | 180        | 46  | 52,0           | 65,0           | 77,0           | -    | 388,0          | 25 100                             | 175                           | 125                             | 10                            | M12                      | 145,0             | 5,00                             | PHF FX40-130X180 |                 |
| 140          | 190        | 51  | 58,5           | 73,5           | 87,5           | -    | 586,0          | 40 150                             | 220                           | 160                             | 11                            | M14                      | 230,0             | 6,50                             | PHF FX40-140X190 |                 |
| FX41         | 20         | 47  | 17             | 22,0           | 28,0           | 34,0 | -              | 38,0                               | 380                           | 295                             | 125                           | 5                        | M6                | 14,0                             | 0,30             | PHF FX41-20X47  |
|              | 22         | 47  | 17             | 22,0           | 28,0           | 34,0 | -              | 38,0                               | 410                           | 270                             | 125                           | 5                        | M6                | 14,0                             | 0,30             | PHF FX41-22X47  |
|              | 24         | 50  | 17             | 22,0           | 28,0           | 34,0 | -              | 38,0                               | 450                           | 245                             | 120                           | 5                        | M6                | 14,0                             | 0,30             | PHF FX41-24X50  |
|              | 25         | 50  | 17             | 22,0           | 28,0           | 34,0 | -              | 45,6                               | 570                           | 285                             | 140                           | 6                        | M6                | 14,0                             | 0,30             | PHF FX41-25X50  |
|              | 28         | 55  | 17             | 22,0           | 28,0           | 34,0 | -              | 45,6                               | 630                           | 255                             | 130                           | 6                        | M6                | 14,0                             | 0,40             | PHF FX41-28X55  |
|              | 30         | 55  | 17             | 22,0           | 28,0           | 34,0 | -              | 45,6                               | 660                           | 235                             | 130                           | 6                        | M6                | 14,0                             | 0,40             | PHF FX41-30X55  |
|              | 32         | 60  | 17             | 22,0           | 28,0           | 34,0 | -              | 60,5                               | 970                           | 295                             | 155                           | 8                        | M6                | 14,0                             | 0,40             | PHF FX41-32X60  |
|              | 35         | 60  | 17             | 22,0           | 28,0           | 34,0 | -              | 60,5                               | 1 060                         | 270                             | 155                           | 8                        | M6                | 14,0                             | 0,40             | PHF FX41-35X60  |
|              | 38         | 65  | 17             | 22,0           | 28,0           | 34,0 | -              | 60,5                               | 1 150                         | 250                             | 145                           | 8                        | M6                | 14,0                             | 0,50             | PHF FX41-38X65  |
|              | 40         | 65  | 17             | 22,0           | 28,0           | 34,0 | -              | 60,5                               | 1 210                         | 235                             | 145                           | 8                        | M6                | 14,0                             | 0,50             | PHF FX41-40X65  |
|              | 42         | 75  | 20             | 25,0           | 33,0           | 41,0 | -              | 98,0                               | 2 050                         | 300                             | 170                           | 7                        | M8                | 35,0                             | 0,80             | PHF FX41-42X75  |
|              | 45         | 75  | 20             | 25,0           | 33,0           | 41,0 | -              | 98,0                               | 2 200                         | 290                             | 170                           | 7                        | M8                | 35,0                             | 0,70             | PHF FX41-45X75  |
|              | 48         | 80  | 20             | 25,0           | 33,0           | 41,0 | -              | 98,0                               | 2 350                         | 270                             | 160                           | 7                        | M8                | 35,0                             | 0,80             | PHF FX41-48X80  |
|              | 50         | 80  | 20             | 25,0           | 33,0           | 41,0 | -              | 98,0                               | 2 450                         | 260                             | 160                           | 7                        | M8                | 35,0                             | 0,80             | PHF FX41-50X80  |
|              | 55         | 85  | 20             | 25,0           | 33,0           | 41,0 | -              | 112,0                              | 3 080                         | 270                             | 175                           | 8                        | M8                | 35,0                             | 0,90             | PHF FX41-55X85  |
|              | 60         | 90  | 20             | 25,0           | 33,0           | 41,0 | -              | 112,0                              | 3 360                         | 245                             | 165                           | 8                        | M8                | 35,0                             | 0,90             | PHF FX41-60X90  |
|              | 65         | 95  | 20             | 25,0           | 33,0           | 41,0 | -              | 126,0                              | 4 090                         | 255                             | 175                           | 9                        | M8                | 35,0                             | 1,00             | PHF FX41-65X95  |
|              | 70         | 110 | 24             | 30,0           | 40,0           | 50,0 | -              | 179,0                              | 6 300                         | 280                             | 180                           | 8                        | M10               | 70,0                             | 1,90             | PHF FX41-70X110 |
|              | 75         | 115 | 24             | 30,0           | 40,0           | 50,0 | -              | 179,0                              | 6 700                         | 260                             | 170                           | 8                        | M10               | 70,0                             | 2,00             | PHF FX41-75X115 |
|              | 80         | 120 | 24             | 30,0           | 40,0           | 50,0 | -              | 179,0                              | 7 150                         | 250                             | 170                           | 8                        | M10               | 70,0                             | 2,00             | PHF FX41-80X120 |
| 85           | 125        | 24  | 30,0           | 40,0           | 50,0           | -    | 200,0          | 8 500                              | 260                           | 180                             | 9                             | M10                      | 70,0              | 2,00                             | PHF FX41-85X125  |                 |
| 90           | 130        | 24  | 30,0           | 40,0           | 50,0           | -    | 200,0          | 9 100                              | 250                           | 170                             | 9                             | M10                      | 70,0              | 2,20                             | PHF FX41-90X130  |                 |
| 95           | 135        | 24  | 30,0           | 40,0           | 50,0           | -    | 224,0          | 10 600                             | 260                           | 180                             | 10                            | M10                      | 70,0              | 2,30                             | PHF FX41-95X135  |                 |
| 100          | 145        | 26  | 32,0           | 44,0           | 56,0           | -    | 268,0          | 13 400                             | 270                           | 190                             | 8                             | M12                      | 125,0             | 3,00                             | PHF FX41-100X145 |                 |
| 110          | 155        | 26  | 32,0           | 44,0           | 56,0           | -    | 268,0          | 14 600                             | 240                           | 180                             | 8                             | M12                      | 125,0             | 3,20                             | PHF FX41-110X155 |                 |

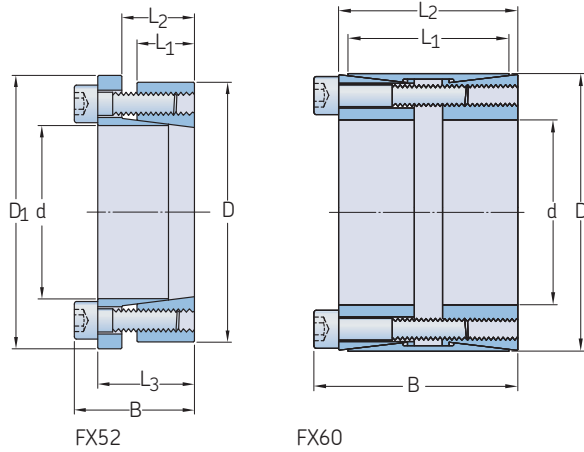
FX keyless bushings

FX41 | FX50 | FX51 | FX52

| Bushings no. | Dimensions |     |                |                |                |      |                |       | Transmissible axial force<br>F <sub>t</sub> | Transmissible torque<br>M <sub>t</sub> | Shaft surface pressure<br>P <sub>w</sub> | Hub surface pressure<br>P <sub>n</sub> | Clamp screws<br>Quantity | Clamp screws size | Screw tightening torque<br>M <sub>s</sub> | Mass             | Designation |
|--------------|------------|-----|----------------|----------------|----------------|------|----------------|-------|---------------------------------------------|----------------------------------------|------------------------------------------|----------------------------------------|--------------------------|-------------------|-------------------------------------------|------------------|-------------|
|              | d          | D   | L <sub>1</sub> | L <sub>2</sub> | L <sub>3</sub> | B    | D <sub>1</sub> |       |                                             |                                        |                                          |                                        |                          |                   |                                           |                  |             |
|              | mm         |     |                |                |                |      |                |       |                                             |                                        |                                          |                                        |                          |                   |                                           |                  |             |
| <b>FX41</b>  | 120        | 165 | 26             | 32,0           | 44,0           | 56,0 | –              | 298,0 | 17 900                                      | 250                                    | 180                                      | 9                                      | M12                      | 125,0             | 3,40                                      | PHF FX41-120X165 |             |
|              | 130        | 180 | 34             | 40,0           | 54,0           | 64,0 | –              | 400,0 | 26 000                                      | 240                                    | 170                                      | 12                                     | M12                      | 125,0             | 5,20                                      | PHF FX41-130X180 |             |
|              | 140        | 190 | 34             | 40,0           | 54,0           | 68,0 | –              | 384,0 | 27 000                                      | 210                                    | 150                                      | 9                                      | M14                      | 190,0             | 5,40                                      | PHF FX41-140X190 |             |
|              | 150        | 200 | 34             | 40,0           | 54,0           | 68,0 | –              | 440,0 | 33 000                                      | 230                                    | 170                                      | 10                                     | M14                      | 190,0             | 5,70                                      | PHF FX41-150X200 |             |
|              | 160        | 210 | 34             | 40,0           | 54,0           | 68,0 | –              | 479,0 | 38 000                                      | 230                                    | 170                                      | 11                                     | M14                      | 190,0             | 6,00                                      | PHF FX41-160X210 |             |
|              | 170        | 225 | 44             | 50,0           | 64,0           | 78,0 | –              | 530,0 | 45 000                                      | 180                                    | 130                                      | 12                                     | M14                      | 190,0             | 8,30                                      | PHF FX41-170X225 |             |
|              | 180        | 235 | 44             | 50,0           | 64,0           | 78,0 | –              | 530,0 | 47 000                                      | 170                                    | 130                                      | 12                                     | M14                      | 190,0             | 8,80                                      | PHF FX41-180X235 |             |
|              | 190        | 250 | 44             | 50,0           | 64,0           | 78,0 | –              | 660,0 | 62 900                                      | 210                                    | 150                                      | 15                                     | M14                      | 190,0             | 10,00                                     | PHF FX41-190X250 |             |
|              | 200        | 260 | 44             | 50,0           | 64,0           | 78,0 | –              | 660,0 | 66 000                                      | 190                                    | 150                                      | 15                                     | M14                      | 190,0             | 10,50                                     | PHF FX41-200X260 |             |
| <b>FX50</b>  | 22         | 47  | 26             | 29,0           | 42,0           | 48,0 | 53             | 33,6  | 330                                         | 155                                    | 65                                       | 6                                      | M6                       | 17,0              | 0,50                                      | PHF FX50-20X47   |             |
|              | 22         | 47  | 26             | 29,0           | 42,0           | 48,0 | 53             | 33,6  | 370                                         | 145                                    | 65                                       | 6                                      | M6                       | 17,0              | 0,50                                      | PHF FX50-22X47   |             |
|              | 24         | 50  | 26             | 29,0           | 42,0           | 48,0 | 56             | 33,6  | 400                                         | 140                                    | 60                                       | 6                                      | M6                       | 17,0              | 0,50                                      | PHF FX50-24X50   |             |
|              | 25         | 50  | 26             | 29,0           | 42,0           | 48,0 | 56             | 33,6  | 420                                         | 125                                    | 60                                       | 6                                      | M6                       | 17,0              | 0,50                                      | PHF FX50-25X50   |             |
|              | 28         | 55  | 26             | 29,0           | 42,0           | 48,0 | 61             | 33,6  | 470                                         | 110                                    | 60                                       | 6                                      | M6                       | 17,0              | 0,60                                      | PHF FX50-28X55   |             |
|              | 30         | 55  | 26             | 29,0           | 42,0           | 48,0 | 61             | 33,6  | 510                                         | 105                                    | 60                                       | 6                                      | M6                       | 17,0              | 0,60                                      | PHF FX50-30X55   |             |
|              | 32         | 60  | 26             | 29,0           | 42,0           | 48,0 | 66             | 51,0  | 810                                         | 145                                    | 80                                       | 9                                      | M6                       | 17,0              | 0,70                                      | PHF FX50-32X60   |             |
|              | 35         | 60  | 26             | 29,0           | 42,0           | 48,0 | 66             | 51,0  | 890                                         | 135                                    | 80                                       | 9                                      | M6                       | 17,0              | 0,60                                      | PHF FX50-35X60   |             |
|              | 38         | 65  | 26             | 29,0           | 42,0           | 48,0 | 71             | 51,0  | 970                                         | 125                                    | 70                                       | 9                                      | M6                       | 17,0              | 0,80                                      | PHF FX50-38X65   |             |
|              | 40         | 65  | 26             | 29,0           | 42,0           | 48,0 | 71             | 51,0  | 1 020                                       | 120                                    | 70                                       | 9                                      | M6                       | 17,0              | 0,60                                      | PHF FX50-40X65   |             |
|              | 42         | 75  | 30             | 34,4           | 51,0           | 59,0 | 81             | 62,8  | 1 320                                       | 135                                    | 75                                       | 6                                      | M8                       | 41,0              | 1,20                                      | PHF FX50-42X75   |             |
|              | 45         | 75  | 30             | 34,4           | 51,0           | 59,0 | 81             | 62,8  | 1 410                                       | 125                                    | 75                                       | 6                                      | M8                       | 41,0              | 1,10                                      | PHF FX50-45X75   |             |
|              | 48         | 80  | 30             | 34,4           | 51,0           | 59,0 | 86             | 62,8  | 1 510                                       | 120                                    | 70                                       | 6                                      | M8                       | 41,0              | 1,30                                      | PHF FX50-48X80   |             |
|              | 50         | 80  | 30             | 34,4           | 51,0           | 59,0 | 86             | 62,8  | 1 570                                       | 110                                    | 70                                       | 6                                      | M8                       | 41,0              | 1,10                                      | PHF FX50-50X80   |             |
|              | 55         | 85  | 30             | 34,4           | 51,0           | 59,0 | 91             | 94,6  | 2 600                                       | 150                                    | 100                                      | 9                                      | M8                       | 41,0              | 1,20                                      | PHF FX50-55X85   |             |
|              | 60         | 90  | 30             | 34,4           | 51,0           | 59,0 | 96             | 94,6  | 2 830                                       | 140                                    | 95                                       | 9                                      | M8                       | 41,0              | 1,30                                      | PHF FX50-60X90   |             |
|              | 65         | 95  | 30             | 34,4           | 51,0           | 59,0 | 102            | 94,6  | 3 070                                       | 130                                    | 90                                       | 9                                      | M8                       | 41,0              | 1,40                                      | PHF FX50-65X95   |             |
|              | 70         | 110 | 40             | 45,0           | 56,0           | 66,0 | 117            | 116,0 | 4 000                                       | 110                                    | 70                                       | 7                                      | M10                      | 83,0              | 2,50                                      | PHF FX50-70X110  |             |
|              | 75         | 115 | 40             | 45,0           | 56,0           | 66,0 | 122            | 116,0 | 4 300                                       | 100                                    | 65                                       | 7                                      | M10                      | 83,0              | 2,60                                      | PHF FX50-75X115  |             |
|              | 80         | 120 | 40             | 45,0           | 56,0           | 66,0 | 127            | 116,0 | 4 600                                       | 100                                    | 65                                       | 7                                      | M10                      | 83,0              | 2,80                                      | PHF FX50-80X120  |             |
|              | 85         | 125 | 40             | 45,0           | 56,0           | 66,0 | 132            | 133,0 | 5 600                                       | 105                                    | 70                                       | 8                                      | M10                      | 83,0              | 2,80                                      | PHF FX50-85X125  |             |
|              | 90         | 130 | 40             | 45,0           | 56,0           | 66,0 | 137            | 133,0 | 6 000                                       | 100                                    | 70                                       | 8                                      | M10                      | 83,0              | 3,00                                      | PHF FX50-90X130  |             |
|              | 95         | 135 | 40             | 45,0           | 56,0           | 66,0 | 142            | 166,8 | 7 900                                       | 115                                    | 80                                       | 10                                     | M10                      | 83,0              | 3,00                                      | PHF FX50-95X135  |             |
|              | 100        | 145 | 46             | 52,0           | 65,0           | 77,0 | 153            | 169,0 | 8 470                                       | 100                                    | 65                                       | 7                                      | M12                      | 145,0             | 5,50                                      | PHF FX50-100X145 |             |
|              | 110        | 155 | 46             | 52,0           | 65,0           | 77,0 | 163            | 169,0 | 9 200                                       | 90                                     | 65                                       | 7                                      | M12                      | 145,0             | 4,80                                      | PHF FX50-110X155 |             |
|              | 120        | 165 | 46             | 52,0           | 65,0           | 77,0 | 173            | 193,0 | 11 600                                      | 90                                     | 70                                       | 8                                      | M12                      | 145,0             | 5,50                                      | PHF FX50-120X165 |             |
|              | 130        | 180 | 46             | 52,0           | 65,0           | 77,0 | 188            | 242,0 | 15 700                                      | 110                                    | 80                                       | 10                                     | M12                      | 145,0             | 6,00                                      | PHF FX50-130X180 |             |
|              | 140        | 190 | 51             | 58,5           | 73,5           | 87,5 | 199            | 366,0 | 25 300                                      | 135                                    | 100                                      | 11                                     | M14                      | 230,0             | 7,50                                      | PHF FX50-140X190 |             |
| <b>FX51</b>  | 20         | 47  | 17             | 22,0           | 28,0           | 34,0 | 56             | 28,0  | 280                                         | 220                                    | 95                                       | 5                                      | M6                       | 17,0              | 0,30                                      | PHF FX51-20X47   |             |
|              | 22         | 47  | 17             | 22,0           | 28,0           | 34,0 | 56             | 28,0  | 300                                         | 200                                    | 95                                       | 5                                      | M6                       | 17,0              | 0,30                                      | PHF FX51-22X47   |             |
|              | 24         | 50  | 17             | 22,0           | 28,0           | 34,0 | 59             | 28,0  | 330                                         | 180                                    | 90                                       | 5                                      | M6                       | 17,0              | 0,30                                      | PHF FX51-24X50   |             |
|              | 25         | 50  | 17             | 22,0           | 28,0           | 34,0 | 59             | 34,0  | 420                                         | 210                                    | 105                                      | 6                                      | M6                       | 17,0              | 0,30                                      | PHF FX51-25X50   |             |
|              | 28         | 55  | 17             | 22,0           | 28,0           | 34,0 | 64             | 34,0  | 470                                         | 190                                    | 95                                       | 6                                      | M6                       | 17,0              | 0,40                                      | PHF FX51-28X55   |             |
|              | 30         | 55  | 17             | 22,0           | 28,0           | 34,0 | 64             | 34,0  | 500                                         | 175                                    | 95                                       | 6                                      | M6                       | 17,0              | 0,40                                      | PHF FX51-30X55   |             |
|              | 32         | 60  | 17             | 22,0           | 28,0           | 34,0 | 69             | 45,0  | 720                                         | 220                                    | 115                                      | 8                                      | M6                       | 17,0              | 0,40                                      | PHF FX51-32X60   |             |
|              | 35         | 60  | 17             | 22,0           | 28,0           | 34,0 | 69             | 45,0  | 790                                         | 200                                    | 115                                      | 8                                      | M6                       | 17,0              | 0,40                                      | PHF FX51-35X60   |             |
|              | 38         | 65  | 17             | 22,0           | 28,0           | 34,0 | 74             | 45,0  | 850                                         | 185                                    | 105                                      | 8                                      | M6                       | 17,0              | 0,50                                      | PHF FX51-38X65   |             |
|              | 40         | 65  | 17             | 22,0           | 28,0           | 34,0 | 74             | 45,0  | 900                                         | 175                                    | 105                                      | 8                                      | M6                       | 17,0              | 0,50                                      | PHF FX51-40X65   |             |
|              | 42         | 75  | 20             | 25,0           | 33,0           | 41,0 | 84             | 73,0  | 1 530                                       | 225                                    | 125                                      | 7                                      | M8                       | 41,0              | 0,80                                      | PHF FX51-42X75   |             |
|              | 45         | 75  | 20             | 25,0           | 33,0           | 41,0 | 84             | 73,0  | 1 650                                       | 215                                    | 125                                      | 7                                      | M8                       | 41,0              | 0,70                                      | PHF FX51-45X75   |             |
|              | 48         | 80  | 20             | 25,0           | 33,0           | 41,0 | 89             | 73,0  | 1 760                                       | 200                                    | 120                                      | 7                                      | M8                       | 41,0              | 0,80                                      | PHF FX51-48X80   |             |
|              | 50         | 80  | 20             | 25,0           | 33,0           | 41,0 | 89             | 73,0  | 1 830                                       | 195                                    | 120                                      | 7                                      | M8                       | 41,0              | 0,80                                      | PHF FX51-50X80   |             |
|              | 55         | 85  | 20             | 25,0           | 33,0           | 41,0 | 94             | 83,5  | 2 300                                       | 200                                    | 130                                      | 8                                      | M8                       | 41,0              | 0,90                                      | PHF FX51-55X85   |             |
|              | 60         | 90  | 20             | 25,0           | 33,0           | 41,0 | 99             | 83,5  | 2 510                                       | 185                                    | 125                                      | 8                                      | M8                       | 41,0              | 0,90                                      | PHF FX51-60X90   |             |
|              | 65         | 95  | 20             | 25,0           | 33,0           | 41,0 | 104            | 94,0  | 3 060                                       | 190                                    | 130                                      | 9                                      | M8                       | 41,0              | 1,00                                      | PHF FX51-65X95   |             |
|              | 70         | 110 | 24             | 30,0           | 40,0           | 50,0 | 119            | 133,0 | 4 670                                       | 210                                    | 135                                      | 8                                      | M10                      | 83,0              | 1,90                                      | PHF FX51-70X110  |             |
|              | 75         | 115 | 24             | 30,0           | 40,0           | 50,0 | 124            | 133,0 | 5 000                                       | 195                                    | 125                                      | 8                                      | M10                      | 83,0              | 2,00                                      | PHF FX51-75X115  |             |
|              | 80         | 120 | 24             | 30,0           | 40,0           | 50,0 | 129            | 133,0 | 5 300                                       | 185                                    | 125                                      | 8                                      | M10                      | 83,0              | 2,00                                      | PHF FX51-80X120  |             |
|              | 85         | 125 | 24             | 30,0           | 40,0           | 50,0 | 134            | 148,0 | 6 300                                       | 195                                    | 135                                      | 9                                      | M10                      | 83,0              | 2,00                                      | PHF FX51-85X125  |             |
|              | 90         | 130 | 24             | 30,0           | 40,0           | 50,0 | 139            | 148,0 | 6 750                                       | 185                                    | 130                                      | 9                                      | M10                      | 83,0              | 2,20                                      | PHF FX51-90X130  |             |
|              | 95         | 135 | 24             | 30,0           | 40,0           | 50,0 | 144            | 166,0 | 7 900                                       | 195                                    | 135                                      | 10                                     | M10                      | 83,0              | 2,30                                      | PHF FX51-95X135  |             |
|              | 100        | 145 | 26             | 32,0           | 44,0           | 56,0 | 154            | 194,0 | 9 700                                       | 200                                    | 140                                      | 8                                      | M12                      | 145,0             | 3,00                                      | PHF FX51-100X145 |             |
|              | 110        | 155 | 26             | 32,0           | 44,0           | 56,0 | 164            | 194,0 | 10 600                                      | 180                                    | 130                                      | 8                                      | M12                      | 145,0             | 3,20                                      | PHF FX51-110X155 |             |
|              | 120        | 165 | 26             | 32,0           | 44,0           | 56,0 | 174            | 216,0 | 13 000                                      | 185                                    | 135                                      | 9                                      | M12                      | 145,0             | 3,40                                      | PHF FX51-120X165 |             |
|              | 130        | 180 | 34             | 40,0           | 54,0           | 64,0 | 189            | 290,0 | 18 900                                      | 175                                    | 125                                      | 12                                     | M12                      | 145,0             | 5,20                                      | PHF FX51-130X180 |             |
|              | 140        | 190 | 34             | 40,0           | 54,0           | 68,0 | 199            | 290,0 | 20 500                                      | 165                                    | 120                                      | 9                                      | M14                      | 230,0             | 5,40                                      | PHF FX51-140X190 |             |
|              | 150        | 200 | 34             | 40,0           | 54,0           | 68,0 | 209            | 333,0 | 25 000                                      | 175                                    | 130                                      | 10                                     | M14                      | 230,0             | 5,70                                      | PHF FX51-150X200 |             |
|              | 160        | 210 | 34             | 40,0           | 54,0           | 68,0 | 219            | 362,0 | 29 000                                      | 180                                    | 135                                      | 11                                     | M14                      | 230,0             | 6,00                                      | PHF FX51-160X210 |             |
|              | 170        | 225 | 44             | 50,0           | 64,0           | 78,0 | 234            | 400,0 | 34 000                                      | 140                                    | 105                                      | 12                                     | M14                      | 230,0             | 8,30                                      | PHF FX51-170X225 |             |
|              | 180        | 235 | 44             | 50,0           | 64,0           | 78,0 | 244            | 400,0 | 36 000                                      | 135                                    | 105                                      | 12                                     | M14                      | 230,0             | 8,80                                      | PHF FX51-180X235 |             |
|              | 190        | 250 | 44             | 50,0           | 64,0           | 78,0 | 259            | 500,0 | 47 500                                      | 160                                    | 120                                      | 15                                     | M14                      | 230,0             | 10,00                                     | PHF FX51-190X250 |             |
|              | 200        | 260 | 44             | 50,0           | 64,0           | 78,0 | 269            | 500,0 | 50 000                                      | 150                                    | 115                                      | 15                                     | M14                      | 230,0             | 10,50                                     | PHF FX51-200X260 |             |
| <b>FX52</b>  | 14         | 55  | 17             | 22,0           | 30,0           |      |                |       |                                             |                                        |                                          |                                        |                          |                   |                                           |                  |             |

FX keyless bushings

FX52 | FX60



| Bushings no. | Dimensions |     |                |                |                |       |                | Transmissible axial force<br>$F_t$ | Transmissible torque<br>$M_t$ | Shaft surface pressure<br>$P_w$ | Hub surface pressure<br>$P_n$ | Clamp screws<br>Quantity | Clamp screws size | Screw tightening torque<br>$M_s$ | Mass             | Designation      |
|--------------|------------|-----|----------------|----------------|----------------|-------|----------------|------------------------------------|-------------------------------|---------------------------------|-------------------------------|--------------------------|-------------------|----------------------------------|------------------|------------------|
|              | d          | D   | L <sub>1</sub> | L <sub>2</sub> | L <sub>3</sub> | B     | D <sub>1</sub> |                                    |                               |                                 |                               |                          |                   |                                  |                  |                  |
| –            | mm         |     |                |                |                |       |                | kN                                 | Nm                            | N/mm <sup>2</sup>               |                               |                          |                   | Nm                               | kg               | –                |
| FX52         | 18         | 55  | 17             | 22,0           | 30,0           | 38,0  | 62             | 18,1                               | 150                           | 160                             | 55                            | 3                        | M8                | 25,0                             | 0,50             | PHF FX52-18X55   |
|              | 19         | 55  | 17             | 22,0           | 30,0           | 38,0  | 62             | 18,1                               | 160                           | 150                             | 55                            | 3                        | M8                | 25,0                             | 0,50             | PHF FX52-19X55   |
|              | 20         | 55  | 17             | 22,0           | 30,0           | 38,0  | 62             | 18,1                               | 170                           | 145                             | 55                            | 3                        | M8                | 25,0                             | 0,50             | PHF FX52-20X55   |
|              | 22         | 55  | 17             | 22,0           | 30,0           | 38,0  | 62             | 25,3                               | 280                           | 185                             | 75                            | 3                        | M8                | 35,0                             | 0,50             | PHF FX52-22X55   |
|              | 24         | 55  | 17             | 22,0           | 30,0           | 38,0  | 62             | 25,3                               | 300                           | 170                             | 75                            | 3                        | M8                | 35,0                             | 0,50             | PHF FX52-24X55   |
|              | 25         | 55  | 17             | 22,0           | 30,0           | 38,0  | 62             | 25,3                               | 310                           | 165                             | 75                            | 3                        | M8                | 35,0                             | 0,50             | PHF FX52-25X55   |
|              | 28         | 55  | 17             | 22,0           | 30,0           | 38,0  | 62             | 31,4                               | 430                           | 175                             | 90                            | 3                        | M8                | 41,0                             | 0,40             | PHF FX52-28X55   |
|              | 30         | 55  | 17             | 22,0           | 30,0           | 38,0  | 62             | 31,4                               | 470                           | 165                             | 90                            | 3                        | M8                | 41,0                             | 0,40             | PHF FX52-30X55   |
|              | 24         | 65  | 17             | 22,0           | 30,0           | 38,0  | 72             | 37,4                               | 440                           | 245                             | 90                            | 5                        | M8                | 30,0                             | 0,70             | PHF FX52-24X65   |
|              | 25         | 65  | 17             | 22,0           | 30,0           | 38,0  | 72             | 37,4                               | 460                           | 235                             | 90                            | 5                        | M8                | 30,0                             | 0,70             | PHF FX52-25X65   |
|              | 28         | 65  | 17             | 22,0           | 30,0           | 38,0  | 72             | 43,6                               | 600                           | 245                             | 105                           | 5                        | M8                | 35,0                             | 0,60             | PHF FX52-28X65   |
|              | 30         | 65  | 17             | 22,0           | 30,0           | 38,0  | 72             | 43,6                               | 640                           | 230                             | 105                           | 5                        | M8                | 35,0                             | 0,60             | PHF FX52-30X65   |
|              | 32         | 65  | 17             | 22,0           | 30,0           | 38,0  | 72             | 43,6                               | 690                           | 215                             | 105                           | 5                        | M8                | 35,0                             | 0,60             | PHF FX52-32X65   |
|              | 35         | 65  | 17             | 22,0           | 30,0           | 38,0  | 72             | 52,5                               | 910                           | 235                             | 130                           | 5                        | M8                | 41,0                             | 0,50             | PHF FX52-35X65   |
|              | 38         | 65  | 17             | 22,0           | 30,0           | 38,0  | 72             | 52,5                               | 990                           | 220                             | 130                           | 5                        | M8                | 41,0                             | 0,50             | PHF FX52-38X65   |
|              | 40         | 65  | 17             | 22,0           | 30,0           | 38,0  | 72             | 52,5                               | 1 050                         | 205                             | 130                           | 5                        | M8                | 41,0                             | 0,50             | PHF FX52-40X65   |
|              | 30         | 80  | 20             | 25,0           | 33,0           | 41,0  | 87             | 52,4                               | 780                           | 235                             | 90                            | 7                        | M8                | 30,0                             | 1,00             | PHF FX52-30X80   |
|              | 32         | 80  | 20             | 25,0           | 33,0           | 41,0  | 87             | 52,4                               | 830                           | 220                             | 90                            | 7                        | M8                | 30,0                             | 1,00             | PHF FX52-32X80   |
|              | 35         | 80  | 20             | 25,0           | 33,0           | 41,0  | 87             | 61,0                               | 1 060                         | 230                             | 100                           | 7                        | M8                | 35,0                             | 1,00             | PHF FX52-35X80   |
|              | 38         | 80  | 20             | 25,0           | 33,0           | 41,0  | 87             | 61,0                               | 1 150                         | 215                             | 100                           | 7                        | M8                | 35,0                             | 1,00             | PHF FX52-38X80   |
| 40           | 80         | 20  | 25,0           | 33,0           | 41,0           | 87    | 61,0           | 1 220                              | 205                           | 100                             | 7                             | M8                       | 35,0              | 0,90                             | PHF FX52-40X80   |                  |
| 42           | 80         | 20  | 25,0           | 33,0           | 41,0           | 87    | 73,5           | 1 540                              | 235                           | 120                             | 7                             | M8                       | 41,0              | 0,90                             | PHF FX52-42X80   |                  |
| 45           | 80         | 20  | 25,0           | 33,0           | 41,0           | 87    | 73,5           | 1 650                              | 220                           | 120                             | 7                             | M8                       | 41,0              | 0,80                             | PHF FX52-45X80   |                  |
| 48           | 80         | 20  | 25,0           | 33,0           | 41,0           | 87    | 73,5           | 1 760                              | 205                           | 120                             | 7                             | M8                       | 41,0              | 0,80                             | PHF FX52-48X80   |                  |
| 50           | 80         | 20  | 25,0           | 33,0           | 41,0           | 87    | 73,5           | 1 830                              | 195                           | 120                             | 7                             | M8                       | 41,0              | 0,80                             | PHF FX52-50X80   |                  |
| FX60         | 25         | 50  | 39             | 45,0           | –              | 51,0  | –              | 76,0                               | 950                           | 245                             | 122                           | 8                        | M6                | 17,0                             | 0,50             | PHF FX60-25X50   |
|              | 28         | 55  | 39             | 45,0           | –              | 51,0  | –              | 76,0                               | 1 070                         | 219                             | 111                           | 8                        | M6                | 17,0                             | 0,60             | PHF FX60-28X55   |
|              | 30         | 55  | 39             | 45,0           | –              | 51,0  | –              | 76,0                               | 1 150                         | 204                             | 111                           | 8                        | M6                | 17,0                             | 0,60             | PHF FX60-30X55   |
|              | 35         | 60  | 39             | 45,0           | –              | 51,0  | –              | 76,0                               | 1 340                         | 175                             | 102                           | 8                        | M6                | 17,0                             | 0,70             | PHF FX60-35X60   |
|              | 38         | 65  | 39             | 45,0           | –              | 51,0  | –              | 76,0                               | 1 450                         | 161                             | 94                            | 8                        | M6                | 17,0                             | 0,70             | PHF FX60-38X65   |
|              | 40         | 65  | 39             | 45,0           | –              | 51,0  | –              | 76,0                               | 1 530                         | 153                             | 94                            | 8                        | M6                | 17,0                             | 0,70             | PHF FX60-40X65   |
|              | 42         | 75  | 56             | 64,0           | –              | 72,0  | –              | 141,0                              | 2 970                         | 188                             | 105                           | 8                        | M8                | 41,0                             | 1,00             | PHF FX60-42X75   |
|              | 45         | 75  | 56             | 64,0           | –              | 72,0  | –              | 141,0                              | 3 150                         | 175                             | 105                           | 8                        | M8                | 41,0                             | 0,90             | PHF FX60-45X75   |
|              | 48         | 80  | 56             | 64,0           | –              | 72,0  | –              | 166,0                              | 4 000                         | 164                             | 98                            | 8                        | M8                | 41,0                             | 1,40             | PHF FX60-48X80   |
|              | 50         | 80  | 56             | 64,0           | –              | 72,0  | –              | 166,0                              | 4 150                         | 158                             | 98                            | 8                        | M8                | 41,0                             | 1,30             | PHF FX60-50X80   |
|              | 55         | 85  | 56             | 64,0           | –              | 72,0  | –              | 166,0                              | 4 550                         | 143                             | 93                            | 8                        | M8                | 41,0                             | 1,50             | PHF FX60-55X85   |
|              | 60         | 90  | 56             | 64,0           | –              | 72,0  | –              | 207,0                              | 6 200                         | 164                             | 109                           | 10                       | M8                | 41,0                             | 1,60             | PHF FX60-60X90   |
|              | 65         | 95  | 56             | 64,0           | –              | 72,0  | –              | 207,0                              | 6 750                         | 152                             | 104                           | 10                       | M8                | 41,0                             | 1,80             | PHF FX60-65X95   |
|              | 70         | 110 | 70             | 78,0           | –              | 88,0  | –              | 330,0                              | 11 550                        | 179                             | 114                           | 10                       | M10               | 83,0                             | 3,00             | PHF FX60-70X110  |
|              | 75         | 115 | 70             | 78,0           | –              | 88,0  | –              | 330,0                              | 12 350                        | 167                             | 109                           | 10                       | M10               | 83,0                             | 3,30             | PHF FX60-75X115  |
|              | 80         | 120 | 70             | 78,0           | –              | 88,0  | –              | 396,0                              | 15 800                        | 188                             | 125                           | 12                       | M10               | 83,0                             | 3,50             | PHF FX60-80X120  |
|              | 85         | 125 | 70             | 78,0           | –              | 88,0  | –              | 396,0                              | 16 800                        | 177                             | 120                           | 12                       | M10               | 83,0                             | 3,70             | PHF FX60-85X125  |
|              | 90         | 130 | 70             | 78,0           | –              | 88,0  | –              | 396,0                              | 17 800                        | 167                             | 115                           | 12                       | M10               | 83,0                             | 3,80             | PHF FX60-90X130  |
|              | 95         | 135 | 70             | 78,0           | –              | 88,0  | –              | 396,0                              | 18 800                        | 158                             | 111                           | 12                       | M10               | 83,0                             | 5,00             | PHF FX60-95X135  |
|              | 100        | 145 | 90             | 100,0          | –              | 112,0 | –              | 576,0                              | 28 800                        | 170                             | 117                           | 12                       | M12               | 145,0                            | 6,00             | PHF FX60-100X145 |
| 110          | 155        | 90  | 100,0          | –              | 112,0          | –     | 576,0          | 31 700                             | 155                           | 110                             | 12                            | M12                      | 145,0             | 6,20                             | PHF FX60-110X155 |                  |
| 120          | 165        | 90  | 100,0          | –              | 112,0          | –     | 573,0          | 40 300                             | 165                           | 120                             | 14                            | M12                      | 145,0             | 7,20                             | PHF FX60-120X165 |                  |
| 130          | 180        | 104 | 116,0          | –              | 130,0          | –     | 791,0          | 51 400                             | 155                           | 112                             | 12                            | M14                      | 230,0             | 10,00                            | PHF FX60-130X180 |                  |
| 140          | 190        | 104 | 116,0          | –              | 130,0          | –     | 923,0          | 64 600                             | 168                           | 124                             | 14                            | M14                      | 230,0             | 10,20                            | PHF FX60-140X190 |                  |
| 150          | 200        | 104 | 116,0          | –              | 130,0          | –     | 1 055,0        | 79 100                             | 179                           | 135                             | 16                            | M14                      | 230,0             | 10,80                            | PHF FX60-150X200 |                  |
| 160          | 210        | 104 | 116,0          | –              | 130,0          | –     | 1 055,0        | 84 400                             | 168                           | 128                             | 16                            | M14                      | 230,0             | 11,50                            | PHF FX60-160X210 |                  |
| 170          | 225        | 134 | 146,0          | –              | 162,0          | –     | 1 283,0        | 109 000                            | 149                           | 113                             | 14                            | M16                      | 355,0             | 17,00                            | PHF FX60-170X225 |                  |
| 180          | 235        | 134 | 146,0          | –              | 162,0          | –     | 1 466,0        | 132 000                            | 161                           | 124                             | 16                            | M16                      | 355,0             | 18,50                            | PHF FX60-180X235 |                  |
| 190          | 250        | 134 | 146,0          | –              | 162,0          | –     | 1 466,0        | 139 000                            | 153                           | 116                             | 16                            | M16                      | 355,0             | 21,50                            | PHF FX60-190X250 |                  |

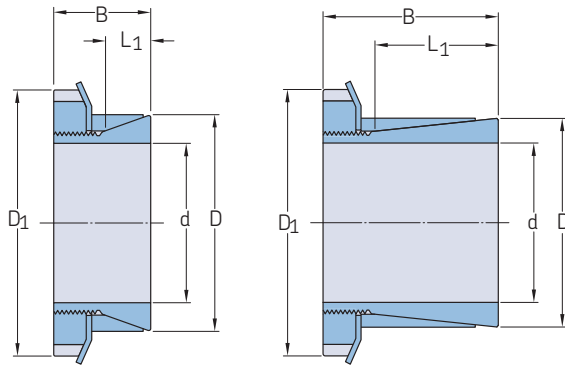
# FX keyless bushings

FX60

| Bushing no. | Dimensions |     |                |                |                |       |                | Transmissible axial force<br>$F_t$ | Transmissible torque<br>$M_t$ | Shaft surface pressure<br>$P_w$ | Hub surface pressure<br>$P_n$ | Clamp screws<br><br>Quantity | Clamp screws size | Screw tightening torque<br>$M_s$ | Mass  | Designation      |
|-------------|------------|-----|----------------|----------------|----------------|-------|----------------|------------------------------------|-------------------------------|---------------------------------|-------------------------------|------------------------------|-------------------|----------------------------------|-------|------------------|
|             | d          | D   | L <sub>1</sub> | L <sub>2</sub> | L <sub>3</sub> | B     | D <sub>1</sub> |                                    |                               |                                 |                               |                              |                   |                                  |       |                  |
| –           | mm         |     |                |                |                |       |                | kN                                 | Nm                            | N/mm <sup>2</sup>               |                               |                              | Nm                | kg                               | –     |                  |
| FX60        | 200        | 260 | 134            | 146,0          | –              | 162,0 | –              | 1 466,0                            | 146 500                       | 145                             | 112                           | 16                           | M16               | 355,0                            | 22,00 | PHF FX60-200X260 |
|             | 220        | 285 | 134            | 146,0          | –              | 162,0 | –              | 1 833,0                            | 201 500                       | 165                             | 127                           | 20                           | M16               | 355,0                            | 25,00 | PHF FX60-220X285 |
|             | 240        | 305 | 134            | 146,0          | –              | 162,0 | –              | 2 017,0                            | 242 000                       | 166                             | 131                           | 22                           | M16               | 355,0                            | 27,00 | PHF FX60-240X305 |
|             | 260        | 325 | 134            | 146,0          | –              | 162,0 | –              | 2 017,0                            | 262 000                       | 154                             | 123                           | 22                           | M16               | 355,0                            | 30,00 | PHF FX60-260X325 |
|             | 280        | 355 | 165            | 177,0          | –              | 197,0 | –              | 2 862,0                            | 400 000                       | 164                             | 130                           | 20                           | M20               | 690,0                            | 46,00 | PHF FX60-280X355 |
|             | 300        | 375 | 165            | 177,0          | –              | 197,0 | –              | 3 148,0                            | 472 000                       | 169                             | 135                           | 22                           | M20               | 690,0                            | 50,00 | PHF FX60-300X375 |
|             | 320        | 405 | 165            | 177,0          | –              | 197,0 | –              | 3 148,0                            | 503 500                       | 158                             | 125                           | 22                           | M20               | 690,0                            | 60,00 | PHF FX60-320X405 |
|             | 340        | 425 | 165            | 177,0          | –              | 197,0 | –              | 3 434,0                            | 583 500                       | 162                             | 130                           | 24                           | M20               | 690,0                            | 65,00 | PHF FX60-340X425 |
|             | 360        | 455 | 190            | 202,0          | –              | 224,0 | –              | 3 918,0                            | 705 000                       | 152                             | 120                           | 22                           | M22               | 930,0                            | 89,00 | PHF FX60-360X455 |
|             | 380        | 475 | 190            | 202,0          | –              | 224,0 | –              | 4 631,0                            | 880 000                       | 170                             | 136                           | 26                           | M22               | 930,0                            | 93,00 | PHF FX60-380X475 |
|             | 400        | 495 | 190            | 202,0          | –              | 224,0 | –              | 4 631,0                            | 926 000                       | 162                             | 131                           | 26                           | M22               | 930,0                            | 98,00 | PHF FX60-400X495 |

FX keyless bushings

FX80 | FX90



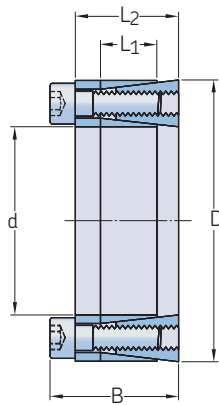
FX80

FX90

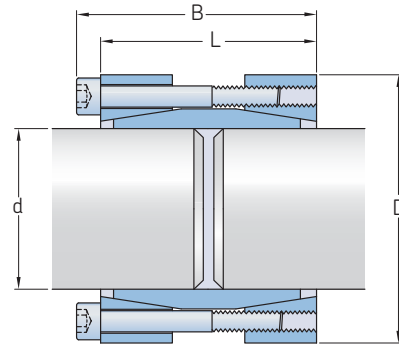
| Bushings no. | Dimensions |      |       |      | Transmissible axial force<br>$F_t$ | Transmissible torque<br>$M_t$ | Shaft surface pressure<br>$P_w$ | Hub surface pressure<br>$P_n$ | Clamp screws sizes | Clamp screws sizes | Screw tightening torque<br>$M_s$ | Mass    | Designation    |                |
|--------------|------------|------|-------|------|------------------------------------|-------------------------------|---------------------------------|-------------------------------|--------------------|--------------------|----------------------------------|---------|----------------|----------------|
|              | d          | D    | $L_1$ | B    |                                    |                               |                                 |                               |                    |                    |                                  |         |                | $D_1$          |
| –            | mm         |      |       |      | kN                                 | Nm                            | N/mm <sup>2</sup>               |                               |                    |                    | Nm                               | kg      | –              |                |
| FX80         | 14         | 25   | 6,5   | 16,5 | 32                                 | 5,1                           | 38                              | 200                           | 110                | –                  | KM4                              | 95,0    | 0,05           | PHF FX80-14X25 |
|              | 15         | 25   | 6,5   | 16,5 | 32                                 | 5,5                           | 41                              | 185                           | 110                | –                  | KM4                              | 95,0    | 0,05           | PHF FX80-15X25 |
|              | 16         | 25   | 6,5   | 16,5 | 32                                 | 5,5                           | 43                              | 174                           | 110                | –                  | KM4                              | 95,0    | 0,04           | PHF FX80-16X25 |
|              | 17         | 26   | 6,5   | 16,5 | 32                                 | 5,5                           | 47                              | 164                           | 107                | –                  | KM4                              | 95,0    | 0,04           | PHF FX80-17X26 |
|              | 18         | 26   | 6,5   | 16,5 | 32                                 | 5,4                           | 49                              | 155                           | 107                | –                  | KM4                              | 95,0    | 0,04           | PHF FX80-18X26 |
|              | 19         | 30   | 6,5   | 18,0 | 38                                 | 6,6                           | 62                              | 176                           | 112                | –                  | KM5                              | 160,0   | 0,08           | PHF FX80-19X30 |
|              | 20         | 30   | 6,5   | 18,0 | 38                                 | 6,6                           | 66                              | 167                           | 111                | –                  | KM5                              | 160,0   | 0,07           | PHF FX80-20X30 |
|              | 22         | 32   | 6,5   | 18,0 | 38                                 | 6,6                           | 73                              | 152                           | 105                | –                  | KM5                              | 160,0   | 0,10           | PHF FX80-22X32 |
|              | 24         | 35   | 6,5   | 18,0 | 45                                 | 8,8                           | 105                             | 185                           | 127                | –                  | KM6                              | 220,0   | 0,09           | PHF FX80-24X35 |
|              | 25         | 35   | 6,5   | 18,0 | 45                                 | 8,8                           | 110                             | 178                           | 127                | –                  | KM6                              | 220,0   | 0,09           | PHF FX80-25X35 |
|              | 28         | 36   | 6,5   | 18,0 | 45                                 | 8,6                           | 120                             | 159                           | 124                | –                  | KM6                              | 220,0   | 0,07           | PHF FX80-28X36 |
|              | 30         | 40   | 7,0   | 19,5 | 52                                 | 10,6                          | 160                             | 164                           | 123                | –                  | KM7                              | 340,0   | 0,07           | PHF FX80-30X40 |
|              | 32         | 42   | 7,0   | 19,5 | 52                                 | 10,6                          | 170                             | 154                           | 117                | –                  | KM7                              | 340,0   | 0,17           | PHF FX80-32X42 |
|              | 35         | 45   | 8,0   | 21,5 | 58                                 | 13,1                          | 230                             | 153                           | 120                | –                  | KM8                              | 480,0   | 0,17           | PHF FX80-35X45 |
|              | 36         | 45   | 8,0   | 21,5 | 58                                 | 13,3                          | 240                             | 149                           | 120                | –                  | KM8                              | 480,0   | 0,15           | PHF FX80-36X45 |
| 38           | 48         | 8,0  | 21,5  | 58   | 13,1                               | 250                           | 141                             | 112                           | –                  | KM8                | 480,0                            | 0,15    | PHF FX80-38X48 |                |
| 40           | 52         | 10,0 | 24,5  | 65   | 15,5                               | 310                           | 120                             | 93                            | –                  | KM9                | 680,0                            | 0,24    | PHF FX80-40X52 |                |
| 42           | 55         | 10,0 | 25,5  | 65   | 15,2                               | 320                           | 114                             | 87                            | –                  | KM9                | 680,0                            | 0,25    | PHF FX80-42X55 |                |
| 45           | 57         | 10,0 | 25,5  | 70   | 17,7                               | 400                           | 122                             | 96                            | –                  | KM10               | 870,0                            | 0,28    | PHF FX80-45X57 |                |
| 48           | 62         | 10,0 | 25,5  | 75   | 20,8                               | 500                           | 135                             | 105                           | –                  | KM11               | 970,0                            | 0,32    | PHF FX80-48X62 |                |
| 50           | 62         | 10,0 | 25,5  | 75   | 20,8                               | 520                           | 130                             | 105                           | –                  | KM11               | 970,0                            | 0,30    | PHF FX80-50X62 |                |
| 55           | 68         | 12,0 | 27,5  | 80   | 22,0                               | 610                           | 103                             | 84                            | –                  | KM12               | 1 100,0                          | 0,36    | PHF FX80-55X68 |                |
| 56           | 68         | 12,0 | 27,5  | 80   | 22,0                               | 620                           | 101                             | 82                            | –                  | KM12               | 1 100,0                          | 0,34    | PHF FX80-56X68 |                |
| 60           | 73         | 12,0 | 28,5  | 85   | 26,6                               | 800                           | 113                             | 93                            | –                  | KM13               | 1 300,0                          | 0,40    | PHF FX80-60X73 |                |
| 63           | 79         | 14,0 | 30,5  | 92   | 31,1                               | 980                           | 107                             | 86                            | –                  | KM14               | 1 600,0                          | 0,56    | PHF FX80-63X79 |                |
| 65           | 79         | 14,0 | 30,5  | 92   | 31,1                               | 1 010                         | 104                             | 86                            | –                  | KM14               | 1 600,0                          | 0,52    | PHF FX80-65X79 |                |
| 70           | 84         | 14,0 | 31,5  | 98   | 35,4                               | 1 240                         | 110                             | 92                            | –                  | KM15               | 2 000,0                          | 0,60    | PHF FX80-70X84 |                |
| FX90         | 14         | 25   | 20,0  | 30,0 | 32                                 | 9,0                           | 64                              | 85                            | 45                 | KM4                | –                                | 95,0    | 0,08           | PHF FX90-14X25 |
|              | 15         | 25   | 20,0  | 30,0 | 32                                 | 9,0                           | 70                              | 80                            | 45                 | KM4                | –                                | 95,0    | 0,08           | PHF FX90-15X25 |
|              | 16         | 25   | 20,0  | 30,0 | 32                                 | 9,0                           | 73                              | 75                            | 45                 | KM4                | –                                | 95,0    | 0,07           | PHF FX90-16X25 |
|              | 17         | 25   | 20,0  | 32,0 | 32                                 | 9,0                           | 80                              | 70                            | 45                 | KM4                | –                                | 160,0   | 0,07           | PHF FX90-17X25 |
|              | 18         | 30   | 20,0  | 32,0 | 38                                 | 9,0                           | 83                              | 65                            | 40                 | KM4                | –                                | 160,0   | 0,12           | PHF FX90-18X30 |
|              | 19         | 30   | 20,0  | 32,0 | 38                                 | 11,0                          | 105                             | 75                            | 45                 | KM5                | –                                | 160,0   | 0,12           | PHF FX90-19X30 |
|              | 20         | 30   | 20,0  | 32,0 | 38                                 | 11,0                          | 112                             | 70                            | 45                 | KM5                | –                                | 160,0   | 0,11           | PHF FX90-20X30 |
|              | 22         | 35   | 25,0  | 36,0 | 45                                 | 14,0                          | 163                             | 70                            | 45                 | KM6                | –                                | 220,0   | 0,18           | PHF FX90-22X35 |
|              | 24         | 35   | 25,0  | 36,0 | 45                                 | 14,0                          | 178                             | 65                            | 45                 | KM6                | –                                | 220,0   | 0,16           | PHF FX90-24X35 |
|              | 25         | 35   | 25,0  | 36,0 | 45                                 | 14,0                          | 185                             | 60                            | 45                 | KM6                | –                                | 220,0   | 0,15           | PHF FX90-25X35 |
|              | 28         | 40   | 30,0  | 42,0 | 52                                 | 17,0                          | 250                             | 55                            | 40                 | KM7                | –                                | 340,0   | 0,24           | PHF FX90-28X40 |
|              | 30         | 40   | 30,0  | 42,0 | 52                                 | 17,0                          | 270                             | 50                            | 40                 | KM7                | –                                | 340,0   | 0,21           | PHF FX90-30X40 |
|              | 32         | 45   | 30,0  | 44,0 | 58                                 | 21,0                          | 350                             | 60                            | 45                 | KM8                | –                                | 480,0   | 0,32           | PHF FX90-32X45 |
|              | 35         | 45   | 30,0  | 44,0 | 58                                 | 21,0                          | 390                             | 55                            | 45                 | KM8                | –                                | 480,0   | 0,26           | PHF FX90-35X45 |
|              | 38         | 50   | 30,0  | 45,0 | 65                                 | 26,0                          | 500                             | 60                            | 45                 | KM9                | –                                | 680,0   | 0,35           | PHF FX90-38X50 |
|              | 40         | 50   | 30,0  | 45,0 | 65                                 | 26,0                          | 520                             | 55                            | 45                 | KM9                | –                                | 680,0   | 0,33           | PHF FX90-40X50 |
|              | 42         | 55   | 30,0  | 46,0 | 70                                 | 30,0                          | 680                             | 60                            | 50                 | KM10               | –                                | 870,0   | 0,43           | PHF FX90-42X55 |
|              | 45         | 55   | 30,0  | 46,0 | 70                                 | 30,0                          | 680                             | 60                            | 50                 | KM10               | –                                | 870,0   | 0,39           | PHF FX90-45X55 |
|              | 48         | 60   | 30,0  | 46,0 | 75                                 | 35,0                          | 840                             | 60                            | 50                 | KM11               | –                                | 970,0   | 0,45           | PHF FX90-48X60 |
|              | 50         | 60   | 30,0  | 46,0 | 75                                 | 35,0                          | 880                             | 60                            | 50                 | KM11               | –                                | 970,0   | 0,40           | PHF FX90-50X60 |
|              | 55         | 65   | 30,0  | 46,0 | 80                                 | 37,0                          | 1 030                           | 60                            | 50                 | KM12               | –                                | 1 100,0 | 0,44           | PHF FX90-55X65 |
| 60           | 70         | 30,0 | 52,0  | 85   | 45,0                               | 1 360                         | 65                              | 55                            | KM13               | –                  | 1 300,0                          | 0,55    | PHF FX90-60X70 |                |

# FX keyless bushings

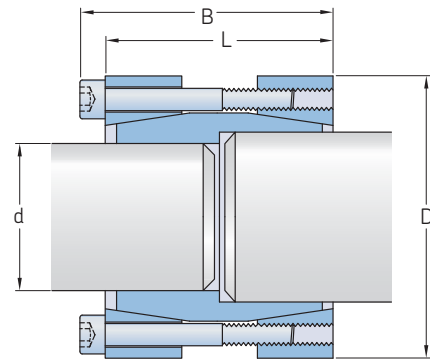
FX120 | FX130



FX120



FX130 Standard version

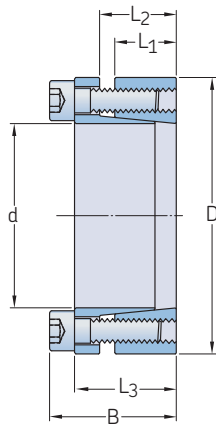


FX130 Double diameter version

| Bushing no.  | Dimensions |     |     |       |       | Transmissible axial force<br>$F_t$ | Transmissible torque<br>$M_t$ | Shaft surface pressure<br>$P_w$ | Hub surface pressure<br>$P_n$ | Clamp screws<br>Quantity | Clamp screws size | Screw tightening torque<br>$M_s$ | Mass<br>kg | Designation |                  |
|--------------|------------|-----|-----|-------|-------|------------------------------------|-------------------------------|---------------------------------|-------------------------------|--------------------------|-------------------|----------------------------------|------------|-------------|------------------|
|              | d          | D   | L   | $L_1$ | $L_2$ |                                    |                               |                                 |                               |                          |                   |                                  |            |             | B                |
|              | mm         |     |     |       |       | kN                                 | Nm                            | N/mm <sup>2</sup>               |                               |                          |                   | Nm                               | kg         | -           |                  |
| <b>FX120</b> | 18         | 40  | -   | 12,0  | 18,5  | 24,5                               | -                             | 190                             | 260                           | 120                      | 6                 | M6                               | 16,0       | -           | PHF FX120-18X40  |
|              | 19         | 41  | -   | 12,0  | 18,5  | 24,5                               | -                             | 210                             | 260                           | 120                      | 6                 | M6                               | 16,0       | -           | PHF FX120-19X41  |
|              | 20         | 42  | -   | 12,0  | 18,5  | 24,5                               | -                             | 240                             | 250                           | 120                      | 6                 | M6                               | 16,0       | -           | PHF FX120-20X42  |
|              | 24         | 46  | -   | 12,0  | 18,5  | 24,5                               | -                             | 290                             | 250                           | 120                      | 6                 | M6                               | 16,0       | -           | PHF FX120-24X46  |
|              | 25         | 47  | -   | 12,0  | 18,5  | 24,5                               | -                             | 330                             | 230                           | 120                      | 8                 | M6                               | 16,0       | -           | PHF FX120-25X47  |
|              | 28         | 50  | -   | 12,0  | 18,5  | 24,5                               | -                             | 370                             | 220                           | 120                      | 8                 | M6                               | 16,0       | -           | PHF FX120-28X50  |
|              | 30         | 52  | -   | 12,0  | 18,5  | 24,5                               | -                             | 430                             | 210                           | 120                      | 8                 | M6                               | 16,0       | -           | PHF FX120-30X52  |
|              | 35         | 57  | -   | 15,0  | 22,0  | 28,0                               | -                             | 610                             | 170                           | 100                      | 12                | M6                               | 16,0       | -           | PHF FX120-35X57  |
|              | 38         | 60  | -   | 15,0  | 22,0  | 28,0                               | -                             | 680                             | 170                           | 100                      | 12                | M6                               | 16,0       | -           | PHF FX120-38X60  |
|              | 40         | 62  | -   | 15,0  | 22,0  | 28,0                               | -                             | 780                             | 170                           | 100                      | 12                | M6                               | 16,0       | -           | PHF FX120-40X62  |
|              | 42         | 70  | -   | 18,0  | 28,0  | 36,0                               | -                             | 1 480                           | 190                           | 110                      | 12                | M8                               | 41,0       | -           | PHF FX120-42X70  |
|              | 45         | 73  | -   | 18,0  | 28,0  | 36,0                               | -                             | 1 500                           | 210                           | 130                      | 12                | M8                               | 41,0       | -           | PHF FX120-45X73  |
|              | 48         | 76  | -   | 18,0  | 28,0  | 36,0                               | -                             | 1 550                           | 210                           | 130                      | 12                | M8                               | 41,0       | -           | PHF FX120-48X76  |
|              | 50         | 78  | -   | 18,0  | 28,0  | 36,0                               | -                             | 1 650                           | 190                           | 120                      | 12                | M8                               | 41,0       | -           | PHF FX120-50X78  |
|              | 55         | 83  | -   | 18,0  | 28,0  | 36,0                               | -                             | 2 000                           | 190                           | 120                      | 16                | M8                               | 41,0       | -           | PHF FX120-55X83  |
|              | 60         | 88  | -   | 18,0  | 28,0  | 36,0                               | -                             | 2 350                           | 190                           | 120                      | 16                | M8                               | 41,0       | -           | PHF FX120-60X88  |
|              | 70         | 105 | -   | 22,0  | 35,0  | 45,0                               | -                             | 3 900                           | 180                           | 120                      | 12                | M10                              | 70,0       | -           | PHF FX120-70X105 |
|              | 80         | 115 | -   | 22,0  | 35,0  | 45,0                               | -                             | 4 800                           | 170                           | 120                      | 16                | M10                              | 70,0       | -           | PHF FX120-80X115 |
| <b>FX130</b> | 17         | 50  | 50  | -     | -     | 56,0                               | 24,5                          | 210                             | -                             | -                        | 4                 | M6                               | 17,0       | 0,50        | PHF FX130-17X50  |
|              | 18         | 50  | 50  | -     | -     | 56,0                               | 24,5                          | 230                             | -                             | -                        | 4                 | M6                               | 17,0       | 0,50        | PHF FX130-18X50  |
|              | 19         | 50  | 50  | -     | -     | 56,0                               | 24,5                          | 240                             | -                             | -                        | 4                 | M6                               | 17,0       | 0,50        | PHF FX130-19X50  |
|              | 20         | 50  | 50  | -     | -     | 56,0                               | 24,5                          | 250                             | -                             | -                        | 4                 | M6                               | 17,0       | 0,50        | PHF FX130-20X50  |
|              | 22         | 55  | 60  | -     | -     | 66,0                               | 24,5                          | 270                             | -                             | -                        | 4                 | M6                               | 17,0       | 0,60        | PHF FX130-22X55  |
|              | 24         | 55  | 60  | -     | -     | 66,0                               | 24,5                          | 300                             | -                             | -                        | 4                 | M6                               | 17,0       | 0,60        | PHF FX130-24X55  |
|              | 25         | 55  | 60  | -     | -     | 66,0                               | 36,5                          | 460                             | -                             | -                        | 6                 | M6                               | 17,0       | 0,60        | PHF FX130-25X55  |
|              | 28         | 60  | 60  | -     | -     | 66,0                               | 36,5                          | 520                             | -                             | -                        | 6                 | M6                               | 17,0       | 0,70        | PHF FX130-28X60  |
|              | 30         | 60  | 60  | -     | -     | 66,0                               | 36,5                          | 560                             | -                             | -                        | 6                 | M6                               | 17,0       | 0,70        | PHF FX130-30X60  |
|              | 32         | 63  | 60  | -     | -     | 66,0                               | 36,5                          | 590                             | -                             | -                        | 6                 | M6                               | 17,0       | 0,70        | PHF FX130-32X63  |
|              | 35         | 75  | 75  | -     | -     | 83,0                               | 45,5                          | 770                             | -                             | -                        | 4                 | M8                               | 41,0       | 1,30        | PHF FX130-35X75  |
|              | 38         | 75  | 75  | -     | -     | 83,0                               | 45,5                          | 860                             | -                             | -                        | 4                 | M8                               | 41,0       | 1,30        | PHF FX130-38X75  |
|              | 40         | 75  | 75  | -     | -     | 83,0                               | 45,5                          | 910                             | -                             | -                        | 4                 | M8                               | 41,0       | 1,30        | PHF FX130-40X75  |
|              | 42         | 78  | 75  | -     | -     | 83,0                               | 45,5                          | 940                             | -                             | -                        | 4                 | M8                               | 41,0       | 2,00        | PHF FX130-42X78  |
|              | 45         | 85  | 85  | -     | -     | 93,0                               | 67,5                          | 1 530                           | -                             | -                        | 6                 | M8                               | 41,0       | 2,20        | PHF FX130-45X85  |
|              | 48         | 90  | 85  | -     | -     | 93,0                               | 67,5                          | 1 610                           | -                             | -                        | 6                 | M8                               | 41,0       | 2,40        | PHF FX130-48X90  |
|              | 50         | 90  | 85  | -     | -     | 93,0                               | 67,5                          | 1 700                           | -                             | -                        | 6                 | M8                               | 41,0       | 2,30        | PHF FX130-50X90  |
|              | 55         | 94  | 85  | -     | -     | 93,0                               | 90,5                          | 2 460                           | -                             | -                        | 8                 | M8                               | 41,0       | 2,90        | PHF FX130-55X94  |
|              | 60         | 100 | 85  | -     | -     | 93,0                               | 90,5                          | 2 720                           | -                             | -                        | 8                 | M8                               | 41,0       | 3,20        | PHF FX130-60X100 |
|              | 65         | 105 | 85  | -     | -     | 93,0                               | 90,5                          | 2 940                           | -                             | -                        | 8                 | M8                               | 41,0       | 3,00        | PHF FX130-65X105 |
|              | 70         | 115 | 100 | -     | -     | 110,0                              | 107,5                         | 3 780                           | -                             | -                        | 6                 | M10                              | 83,0       | 4,30        | PHF FX130-70X115 |
|              | 75         | 125 | 100 | -     | -     | 110,0                              | 107,5                         | 4 040                           | -                             | -                        | 6                 | M10                              | 83,0       | 5,00        | PHF FX130-75X125 |
|              | 80         | 125 | 100 | -     | -     | 110,0                              | 107,5                         | 4 300                           | -                             | -                        | 6                 | M10                              | 83,0       | 4,70        | PHF FX130-80X125 |

# FX keyless bushings

FX140



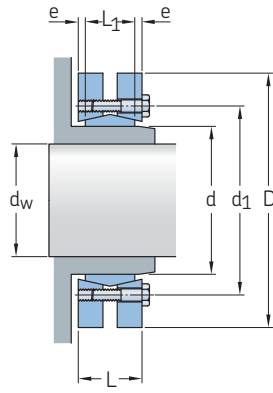
FX140

| Bushing no. | Dimensions |      |                |                |                |       | Transmissible axial force<br>$F_t$ | Transmissible torque<br>$M_t$ | Shaft surface pressure<br>$P_w$ | Hub surface pressure<br>$P_n$ | Clamp screws<br>Quantity | Clamp screws size | Screw tightening torque<br>$M_s$ | Mass             | Designation      |
|-------------|------------|------|----------------|----------------|----------------|-------|------------------------------------|-------------------------------|---------------------------------|-------------------------------|--------------------------|-------------------|----------------------------------|------------------|------------------|
|             | d          | D    | L <sub>1</sub> | L <sub>2</sub> | L <sub>3</sub> | B     |                                    |                               |                                 |                               |                          |                   |                                  |                  |                  |
| –           | mm         |      |                |                |                |       | kN                                 | Nm                            | N/mm <sup>2</sup>               |                               |                          |                   | Nm                               | kg               | –                |
| FX140       | 18         | 40   | 12,0           | 15,0           | 20,0           | 24,0  | 23,7                               | 210                           | 235                             | 130                           | 6                        | M4                | 5,0                              | 0,20             | PHF FX140-18X40  |
|             | 19         | 41   | 12,0           | 15,0           | 20,0           | 24,0  | 23,7                               | 220                           | 220                             | 128                           | 6                        | M4                | 5,0                              | 0,20             | PHF FX140-19X41  |
|             | 20         | 42   | 12,0           | 15,0           | 20,0           | 24,0  | 27,7                               | 270                           | 245                             | 145                           | 7                        | M4                | 5,0                              | 0,20             | PHF FX140-20X42  |
|             | 22         | 44   | 12,0           | 15,0           | 20,0           | 24,0  | 27,7                               | 300                           | 225                             | 140                           | 7                        | M4                | 5,0                              | 0,20             | PHF FX140-22X44  |
|             | 24         | 46   | 12,0           | 15,0           | 20,0           | 24,0  | 27,7                               | 330                           | 205                             | 135                           | 7                        | M4                | 5,0                              | 0,20             | PHF FX140-24X46  |
|             | 25         | 47   | 12,0           | 15,0           | 20,0           | 24,0  | 27,7                               | 340                           | 195                             | 130                           | 7                        | M4                | 5,0                              | 0,20             | PHF FX140-25X47  |
|             | 28         | 50   | 12,0           | 15,0           | 20,0           | 24,0  | 35,6                               | 500                           | 225                             | 155                           | 9                        | M4                | 5,0                              | 0,20             | PHF FX140-28X50  |
|             | 30         | 52   | 12,0           | 15,0           | 20,0           | 24,0  | 35,6                               | 530                           | 210                             | 151                           | 9                        | M4                | 5,0                              | 0,20             | PHF FX140-30X52  |
|             | 32         | 54   | 12,0           | 15,0           | 20,0           | 24,0  | 35,6                               | 570                           | 197                             | 146                           | 9                        | M4                | 5,0                              | 0,20             | PHF FX140-32X54  |
|             | 35         | 57   | 16,0           | 19,0           | 24,0           | 28,0  | 39,5                               | 690                           | 158                             | 115                           | 10                       | M4                | 5,0                              | 0,30             | PHF FX140-35X57  |
|             | 36         | 58   | 16,0           | 19,0           | 24,0           | 28,0  | 39,5                               | 710                           | 155                             | 113                           | 10                       | M4                | 5,0                              | 0,30             | PHF FX140-36X58  |
|             | 38         | 60   | 16,0           | 19,0           | 24,0           | 28,0  | 43,5                               | 830                           | 160                             | 120                           | 11                       | M4                | 5,0                              | 0,30             | PHF FX140-38X60  |
|             | 40         | 62   | 16,0           | 19,0           | 24,0           | 28,0  | 43,5                               | 870                           | 150                             | 116                           | 11                       | M4                | 5,0                              | 0,40             | PHF FX140-40X62  |
|             | 42         | 70   | 19,0           | 23,0           | 30,0           | 36,0  | 73,0                               | 1 530                         | 200                             | 146                           | 8                        | M6                | 17,0                             | 0,60             | PHF FX140-42X70  |
|             | 45         | 73   | 19,0           | 23,0           | 30,0           | 36,0  | 73,0                               | 1 640                         | 185                             | 140                           | 8                        | M6                | 17,0                             | 0,60             | PHF FX140-45X73  |
|             | 48         | 76   | 19,0           | 23,0           | 30,0           | 36,0  | 73,0                               | 1 750                         | 175                             | 134                           | 8                        | M6                | 17,0                             | 0,60             | PHF FX140-48X76  |
|             | 50         | 78   | 19,0           | 23,0           | 30,0           | 36,0  | 73,0                               | 1 820                         | 165                             | 131                           | 8                        | M6                | 17,0                             | 0,60             | PHF FX140-50X78  |
|             | 55         | 83   | 19,0           | 23,0           | 30,0           | 36,0  | 73,0                               | 2 000                         | 150                             | 123                           | 8                        | M6                | 17,0                             | 0,70             | PHF FX140-55X83  |
|             | 56         | 84   | 19,0           | 23,0           | 30,0           | 36,0  | 73,0                               | 2 040                         | 150                             | 120                           | 8                        | M6                | 17,0                             | 0,70             | PHF FX140-56X84  |
|             | 60         | 88   | 19,0           | 23,0           | 30,0           | 36,0  | 82,1                               | 2 460                         | 158                             | 130                           | 9                        | M6                | 17,0                             | 0,70             | PHF FX140-60X88  |
|             | 63         | 91   | 19,0           | 23,0           | 30,0           | 36,0  | 82,1                               | 2 580                         | 150                             | 125                           | 9                        | M6                | 17,0                             | 0,90             | PHF FX140-63X91  |
|             | 65         | 93   | 19,0           | 23,0           | 30,0           | 36,0  | 82,1                               | 2 660                         | 140                             | 120                           | 9                        | M6                | 17,0                             | 1,00             | PHF FX140-65X93  |
|             | 70         | 105  | 23,0           | 28,0           | 37,0           | 45,0  | 134,8                              | 4 720                         | 180                             | 148                           | 8                        | M8                | 41,0                             | 1,50             | PHF FX140-70X105 |
|             | 75         | 110  | 23,0           | 28,0           | 37,0           | 45,0  | 134,8                              | 5 050                         | 170                             | 140                           | 8                        | M8                | 41,0                             | 1,50             | PHF FX140-75X110 |
| 80          | 115        | 23,0 | 28,0           | 37,0           | 45,0           | 134,8 | 5 390                              | 160                           | 135                             | 8                             | M8                       | 41,0              | 1,70                             | PHF FX140-80X115 |                  |
| 85          | 120        | 23,0 | 28,0           | 37,0           | 45,0           | 134,8 | 5 730                              | 150                           | 130                             | 8                             | M8                       | 41,0              | 2,00                             | PHF FX140-85X120 |                  |
| 90          | 125        | 23,0 | 28,0           | 37,0           | 45,0           | 168,5 | 7 580                              | 156                           | 156                             | 10                            | M8                       | 41,0              | 2,30                             | PHF FX140-90X125 |                  |



# FX keyless bushings

## FX190

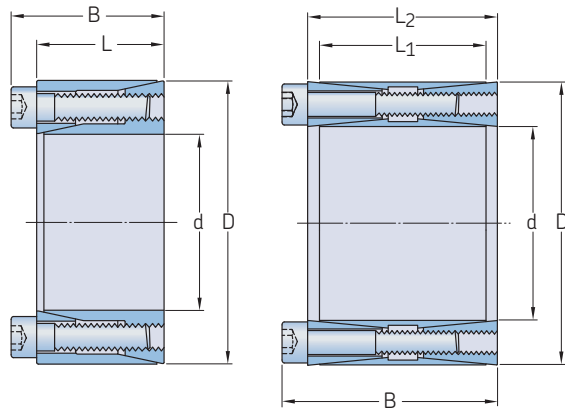


FX190

| Bushings no. | Dimensions |     |       |       |       |       |          | Transmissible axial force<br>$F_t$ | Transmissible torque<br>$M_t$ | Clamp screws<br>Quantity | Clamp screws size | Screw tightening torque<br>$M_s$ | Mass              | Designation       |
|--------------|------------|-----|-------|-------|-------|-------|----------|------------------------------------|-------------------------------|--------------------------|-------------------|----------------------------------|-------------------|-------------------|
|              | d          | D   | $d_w$ | L     | $L_1$ | $d_1$ | e        |                                    |                               |                          |                   |                                  |                   |                   |
| -            | mm         |     |       |       |       |       |          | kN                                 | Nm                            |                          |                   | Nm                               | kg                | -                 |
| FX190        | 14         | 38  | 11    | 11,0  | 7,0   | 23,0  | 2,00     | 6,00                               | 30                            | 4                        | M5*               | 4,0                              | 0,10              | PHF FX190-14X38   |
|              | 16         | 41  | 13    | 15,0  | 11,0  | 26,0  | 2,00     | 10,00                              | 70                            | 5                        | M5*               | 4,0                              | 0,10              | PHF FX190-16X41   |
|              | 24         | 50  | 19    | 19,5  | 14,0  | 36,0  | 2,75     | 25,00                              | 170                           | 6                        | M5*               | 4,0                              | 0,20              | PHF FX190-24X50   |
|              | 30         | 60  | 24    | 21,5  | 16,0  | 44,0  | 2,75     | 29,00                              | 300                           | 7                        | M5*               | 4,0                              | 0,30              | PHF FX190-30X60   |
|              | 36         | 72  | 28    | 23,5  | 18,0  | 52,0  | 2,75     | 50,00                              | 440                           | 5                        | M6                | 12,0                             | 0,40              | PHF FX190-36X72   |
|              | 44         | 80  | 32    | 25,5  | 20,0  | 61,0  | 2,75     | 64,00                              | 620                           | 7                        | M6                | 12,0                             | 0,60              | PHF FX190-44X80   |
|              | 50         | 90  | 38    | 27,5  | 22,0  | 70,0  | 2,75     | 79,00                              | 940                           | 8                        | M6                | 12,0                             | 0,80              | PHF FX190-50X90   |
|              | 55         | 100 | 42    | 30,5  | 23,0  | 75,0  | 3,75     | 79,00                              | 1 160                         | 8                        | M6                | 12,0                             | 1,10              | PHF FX190-55X100  |
|              | 62         | 110 | 48    | 30,5  | 23,0  | 86,0  | 3,75     | 100,00                             | 1 850                         | 10                       | M6                | 12,0                             | 1,30              | PHF FX190-62X110  |
|              | 68         | 115 | 50    | 30,5  | 23,0  | 86,0  | 3,75     | 97,00                              | 2 000                         | 10                       | M6                | 12,0                             | 1,40              | PHF FX190-68X115  |
|              | 75         | 138 | 55    | 32,5  | 25,0  | 100,0 | 3,75     | 119,00                             | 2 500                         | 7                        | M8                | 30,0                             | 1,70              | PHF FX190-75X138  |
|              | 80         | 145 | 60    | 32,5  | 25,0  | 100,0 | 3,75     | 124,00                             | 3 200                         | 7                        | M8                | 30,0                             | 1,90              | PHF FX190-80X145  |
|              | 85         | 155 | 65    | 39,0  | 30,0  | 114,0 | 4,50     | 175,00                             | 4 800                         | 10                       | M8                | 30,0                             | 3,50              | PHF FX190-85X155  |
|              | 90         | 155 | 65    | 39,0  | 30,0  | 114,0 | 4,50     | 170,00                             | 4 750                         | 10                       | M8                | 30,0                             | 3,30              | PHF FX190-90X155  |
|              | 100        | 170 | 70    | 44,0  | 34,0  | 124,0 | 5,00     | 195,00                             | 6 900                         | 12                       | M8                | 30,0                             | 4,70              | PHF FX190-100X170 |
|              | 110        | 185 | 75    | 50,0  | 39,0  | 136,0 | 5,50     | 229,00                             | 7 200                         | 9                        | M10               | 59,0                             | 5,90              | PHF FX190-110X185 |
|              | 115        | 188 | 80    | 50,0  | 39,0  | 141,0 | 5,50     | 235,00                             | 7 400                         | 9                        | M10               | 59,0                             | 5,50              | PHF FX190-115X188 |
|              | 120        | 215 | 80    | 54,0  | 42,0  | 160,0 | 6,00     | 285,00                             | 10 600                        | 12                       | M10               | 59,0                             | 9,00              | PHF FX190-120X215 |
|              | 125        | 215 | 85    | 54,0  | 42,0  | 160,0 | 6,00     | 296,00                             | 11 000                        | 12                       | M10               | 59,0                             | 8,30              | PHF FX190-125X215 |
|              | 130        | 215 | 90    | 54,0  | 42,0  | 160,0 | 6,00     | 304,00                             | 11 300                        | 12                       | M10               | 59,0                             | 8,00              | PHF FX190-130X215 |
|              | 140        | 230 | 95    | 60,5  | 46,0  | 175,0 | 7,25     | 367,00                             | 15 100                        | 10                       | M12               | 100,0                            | 10,00             | PHF FX190-140X230 |
|              | 155        | 265 | 105   | 64,5  | 50,0  | 192,0 | 7,25     | 447,00                             | 22 000                        | 12                       | M12               | 100,0                            | 15,00             | PHF FX190-155X265 |
|              | 160        | 265 | 110   | 64,5  | 50,0  | 192,0 | 7,25     | 460,00                             | 22 600                        | 12                       | M12               | 100,0                            | 14,50             | PHF FX190-160X265 |
|              | 165        | 290 | 115   | 71,0  | 56,0  | 210,0 | 7,50     | 595,00                             | 31 000                        | 8                        | M16               | 250,0                            | 22,00             | PHF FX190-165X290 |
|              | 170        | 290 | 120   | 71,0  | 56,0  | 210,0 | 7,50     | 610,00                             | 31 900                        | 8                        | M16               | 250,0                            | 21,00             | PHF FX190-170X290 |
|              | 175        | 300 | 125   | 71,0  | 56,0  | 220,0 | 7,50     | 605,00                             | 36 000                        | 8                        | M16               | 250,0                            | 22,00             | PHF FX190-175X300 |
|              | 180        | 330 | 130   | 86,0  | 71,0  | 236,0 | 7,50     | 778,00                             | 52 000                        | 8                        | M16               | 250,0                            | 21,00             | PHF FX190-180X330 |
|              | 185        | 330 | 135   | 86,0  | 71,0  | 236,0 | 7,50     | 778,00                             | 52 000                        | 10                       | M24               | 250,0                            | 37,00             | PHF FX190-185X330 |
|              | 190        | 330 | 140   | 86,0  | 71,0  | 236,0 | 7,50     | 800,00                             | 63 500                        | 10                       | M16               | 250,0                            | 36,00             | PHF FX190-190X330 |
|              | 195        | 350 | 140   | 86,0  | 71,0  | 246,0 | 7,50     | 933,00                             | 65 000                        | 12                       | M16               | 250,0                            | 41,00             | PHF FX190-195X350 |
|              | 200        | 350 | 150   | 86,0  | 71,0  | 246,0 | 7,50     | 990,00                             | 74 000                        | 12                       | M16               | 250,0                            | 41,00             | PHF FX190-200X350 |
|              | 220        | 370 | 160   | 104,0 | 88,0  | 270,0 | 8,00     | 1 190,00                           | 95 000                        | 15                       | M16               | 250,0                            | 54,00             | PHF FX190-220X370 |
|              | 240        | 405 | 170   | 109,0 | 92,0  | 295,0 | 8,50     | 1 464,00                           | 120 000                       | 12                       | M20               | 490,0                            | 67,00             | PHF FX190-240X405 |
|              | 260        | 430 | 190   | 120,0 | 103,0 | 321,0 | 8,50     | 1 760,00                           | 164 000                       | 14                       | M20               | 490,0                            | 82,00             | PHF FX190-260X430 |
|              | 280        | 460 | 210   | 134,0 | 114,0 | 346,0 | 10,00    | 2 090,00                           | 217 000                       | 16                       | M20               | 490,0                            | 102,00            | PHF FX190-280X460 |
|              | 300        | 485 | 230   | 142,0 | 122,0 | 364,0 | 10,00    | 2 431,00                           | 275 000                       | 18                       | M20               | 490,0                            | 118,00            | PHF FX190-300X485 |
| 320          | 520        | 240 | 142,0 | 122,0 | 386,0 | 10,00 | 2 647,00 | 312 000                            | 20                            | M20                      | 490,0             | 131,00                           | PHF FX190-320X520 |                   |
| 340          | 570        | 250 | 156,0 | 134,0 | 408,0 | 11,00 | 3 119,00 | 390 000                            | 24                            | M20                      | 490,0             | 186,00                           | PHF FX190-340X570 |                   |
| 350          | 580        | 270 | 162,0 | 140,0 | 432,0 | 11,00 | 3 276,00 | 442 000                            | 24                            | M20                      | 490,0             | 195,00                           | PHF FX190-350X580 |                   |
| 360          | 590        | 280 | 162,0 | 140,0 | 432,0 | 11,00 | 3 310,00 | 463 000                            | 24                            | M20                      | 490,0             | 204,00                           | PHF FX190-360X590 |                   |
| 380          | 645        | 290 | 168,0 | 144,0 | 458,0 | 12,00 | 3 910,00 | 567 000                            | 20                            | M24                      | 840,0             | 239,00                           | PHF FX190-380X645 |                   |
| 390          | 660        | 300 | 168,0 | 144,0 | 468,0 | 12,00 | 4 160,00 | 624 000                            | 21                            | M24                      | 840,0             | 260,00                           | PHF FX190-390X660 |                   |
| 400          | 680        | 315 | 168,0 | 144,0 | 480,0 | 12,00 | 4 260,00 | 670 000                            | 21                            | M24                      | 840,0             | 280,00                           | PHF FX190-400X680 |                   |
| 420          | 690        | 330 | 188,0 | 164,0 | 504,0 | 12,00 | 4 850,00 | 780 000                            | 24                            | M24                      | 840,0             | 316,00                           | PHF FX190-420X690 |                   |
| 440          | 750        | 340 | 202,0 | 177,0 | 527,0 | 12,50 | 4 740,00 | 806 000                            | 24                            | M24                      | 840,0             | 408,00                           | PHF FX190-440X750 |                   |
| 460          | 770        | 360 | 202,0 | 177,0 | 547,0 | 12,50 | 5 670,00 | 1 000 000                          | 28                            | M24                      | 840,0             | 420,00                           | PHF FX190-460X770 |                   |
| 480          | 800        | 380 | 213,0 | 188,0 | 570,0 | 12,50 | 6 150,00 | 1 170 000                          | 30                            | M24                      | 840,0             | 505,00                           | PHF FX190-480X800 |                   |

FX keyless bushings

FX350 | FX400



FX350

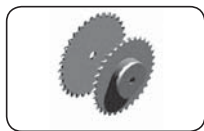
FX400

| Bushing no.       | Dimensions |     |       |                |                |       | Transmissible axial force<br>$F_t$ | Transmissible torque<br>$M_t$ | Shaft surface pressure<br>$P_w$ | Hub surface pressure<br>$P_n$ | Clamp screws<br>Quantity | Clamp screws size | Screw tightening torque | Mass              | Designation       |                 |
|-------------------|------------|-----|-------|----------------|----------------|-------|------------------------------------|-------------------------------|---------------------------------|-------------------------------|--------------------------|-------------------|-------------------------|-------------------|-------------------|-----------------|
|                   | d          | D   | L     | L <sub>1</sub> | L <sub>2</sub> | B     |                                    |                               |                                 |                               |                          |                   |                         |                   |                   |                 |
| mm                |            |     |       |                |                |       |                                    |                               |                                 |                               |                          |                   |                         |                   |                   |                 |
| kN                |            |     |       |                |                |       |                                    |                               |                                 |                               |                          |                   |                         |                   |                   |                 |
| Nm                |            |     |       |                |                |       |                                    |                               |                                 |                               |                          |                   |                         |                   |                   |                 |
| N/mm <sup>2</sup> |            |     |       |                |                |       |                                    |                               |                                 |                               |                          |                   |                         |                   |                   |                 |
| Nm                |            |     |       |                |                |       |                                    |                               |                                 |                               |                          |                   |                         |                   |                   |                 |
| kg                |            |     |       |                |                |       |                                    |                               |                                 |                               |                          |                   |                         |                   |                   |                 |
| FX350             | 10         | 20  | 13    | -              | -              | 15,5  | -                                  | 15                            | 110                             | 55                            | 4                        | M2.5              | 1,2                     | 0,02              | PHF FX350-10X20   |                 |
|                   | 12         | 22  | 13    | -              | -              | 15,5  | -                                  | 20                            | 90                              | 50                            | 4                        | M2.5              | 1,2                     | 0,02              | PHF FX350-12X22   |                 |
|                   | 14         | 26  | 17    | -              | -              | 20,0  | -                                  | 35                            | 105                             | 55                            | 4                        | M3                | 2,1                     | 0,04              | PHF FX350-14X26   |                 |
|                   | 15         | 28  | 17    | -              | -              | 20,0  | -                                  | 40                            | 100                             | 50                            | 4                        | M3                | 2,1                     | 0,04              | PHF FX350-15X28   |                 |
|                   | 16         | 32  | 17    | -              | -              | 21,0  | -                                  | 70                            | 130                             | 65                            | 4                        | M4                | 4,9                     | 0,07              | PHF FX350-16X32   |                 |
|                   | 18         | 35  | 21    | -              | -              | 25,0  | -                                  | 80                            | 115                             | 60                            | 4                        | M4                | 4,9                     | 0,09              | PHF FX350-18X35   |                 |
|                   | 19         | 35  | 21    | -              | -              | 25,0  | -                                  | 85                            | 110                             | 60                            | 4                        | M4                | 4,9                     | 0,08              | PHF FX350-19X35   |                 |
|                   | 20         | 38  | 21    | -              | -              | 26,0  | -                                  | 220                           | 220                             | 115                           | 6                        | M5                | 10,0                    | 0,10              | PHF FX350-20X38   |                 |
|                   | 22         | 40  | 21    | -              | -              | 26,0  | -                                  | 240                           | 200                             | 110                           | 6                        | M5                | 10,0                    | 0,11              | PHF FX350-22X40   |                 |
|                   | 24         | 47  | 26    | -              | -              | 32,0  | -                                  | 380                           | 220                             | 110                           | 6                        | M6                | 17,0                    | 0,19              | PHF FX350-24X47   |                 |
|                   |            | 25  | 47    | 26             | -              | -     | 32,0                               | -                             | 390                             | 210                           | 110                      | 6                 | M6                      | 17,0              | 0,19              | PHF FX350-25X47 |
|                   | FX400      | 45  | 75    | -              | 56,0           | 64,0  | 72,0                               | 155                           | 3 460                           | 165                           | 100                      | 8                 | M8                      | 41,0              | 1,30              | PHF FX400-45X75 |
| 48                |            | 80  | -     | 56,0           | 64,0           | 72,0  | 155                                | 3 680                         | 150                             | 95                            | 8                        | M8                | 41,0                    | 1,50              | PHF FX400-48X80   |                 |
| 50                |            | 80  | -     | 56,0           | 64,0           | 72,0  | 155                                | 3 820                         | 147                             | 95                            | 8                        | M8                | 41,0                    | 1,40              | PHF FX400-50X80   |                 |
| 55                |            | 85  | -     | 56,0           | 64,0           | 72,0  | 155                                | 4 260                         | 135                             | 85                            | 8                        | M8                | 41,0                    | 1,50              | PHF FX400-55X85   |                 |
| 60                |            | 90  | -     | 56,0           | 64,0           | 72,0  | 190                                | 5 820                         | 155                             | 100                           | 10                       | M8                | 41,0                    | 1,50              | PHF FX400-60X90   |                 |
| 65                |            | 95  | -     | 56,0           | 64,0           | 72,0  | 190                                | 6 270                         | 140                             | 95                            | 10                       | M8                | 41,0                    | 1,60              | PHF FX400-65X95   |                 |
| 70                |            | 110 | -     | 70,0           | 78,0           | 88,0  | 305                                | 10 730                        | 170                             | 105                           | 10                       | M10               | 83,0                    | 3,00              | PHF FX400-70X110  |                 |
| 75                |            | 115 | -     | 70,0           | 78,0           | 88,0  | 305                                | 11 540                        | 155                             | 100                           | 10                       | M10               | 83,0                    | 3,10              | PHF FX400-75X115  |                 |
| 80                |            | 120 | -     | 70,0           | 78,0           | 88,0  | 369                                | 14 700                        | 175                             | 115                           | 12                       | M10               | 83,0                    | 3,50              | PHF FX400-80X120  |                 |
| 85                |            | 125 | -     | 70,0           | 78,0           | 88,0  | 369                                | 15 700                        | 165                             | 110                           | 12                       | M10               | 83,0                    | 3,50              | PHF FX400-85X125  |                 |
| 90                |            | 130 | -     | 70,0           | 78,0           | 88,0  | 370                                | 16 610                        | 157                             | 106                           | 12                       | M10               | 83,0                    | 3,80              | PHF FX400-90X130  |                 |
| 95                |            | 135 | -     | 70,0           | 78,0           | 88,0  | 370                                | 17 530                        | 150                             | 102                           | 12                       | M10               | 83,0                    | 4,00              | PHF FX400-95X135  |                 |
| 100               |            | 145 | -     | 90,0           | 100,0          | 112,0 | 538                                | 26 900                        | 160                             | 110                           | 12                       | M12               | 145,0                   | 6,00              | PHF FX400-100X145 |                 |
| 110               |            | 155 | -     | 90,0           | 100,0          | 112,0 | 538                                | 29 530                        | 143                             | 102                           | 12                       | M12               | 145,0                   | 6,20              | PHF FX400-110X155 |                 |
| 120               |            | 165 | -     | 90,0           | 100,0          | 112,0 | 628                                | 37 610                        | 154                             | 112                           | 14                       | M12               | 145,0                   | 6,80              | PHF FX400-120X165 |                 |
| 130               |            | 180 | -     | 104,0          | 116,0          | 130,0 | 738                                | 48 000                        | 143                             | 106                           | 12                       | M14               | 230,0                   | 9,80              | PHF FX400-130X180 |                 |
| 140               |            | 190 | -     | 104,0          | 116,0          | 130,0 | 861                                | 60 290                        | 160                             | 117                           | 14                       | M14               | 230,0                   | 10,20             | PHF FX400-140X190 |                 |
| 150               |            | 200 | -     | 104,0          | 116,0          | 130,0 | 985                                | 73 800                        | 165                             | 125                           | 16                       | M14               | 230,0                   | 10,90             | PHF FX400-150X200 |                 |
| 160               |            | 210 | -     | 104,0          | 116,0          | 130,0 | 983                                | 78 770                        | 155                             | 118                           | 16                       | M14               | 230,0                   | 11,50             | PHF FX400-160X210 |                 |
| 170               |            | 225 | -     | 134,0          | 146,0          | 162,0 | 1197                               | 101 730                       | 140                             | 108                           | 14                       | M16               | 355,0                   | 17,20             | PHF FX400-170X225 |                 |
| 180               |            | 235 | -     | 134,0          | 146,0          | 162,0 | 1369                               | 123 200                       | 150                             | 115                           | 16                       | M16               | 355,0                   | 18,00             | PHF FX400-180X235 |                 |
| 190               |            | 250 | -     | 134,0          | 146,0          | 162,0 | 1368                               | 129 880                       | 141                             | 110                           | 16                       | M16               | 355,0                   | 21,50             | PHF FX400-190X250 |                 |
| 200               |            | 260 | -     | 134,0          | 146,0          | 162,0 | 1368                               | 136 840                       | 137                             | 104                           | 16                       | M16               | 355,0                   | 22,00             | PHF FX400-200X260 |                 |
| 220               |            | 285 | -     | 134,0          | 146,0          | 162,0 | 1710                               | 188 000                       | 155                             | 120                           | 20                       | M16               | 355,0                   | 25,00             | PHF FX400-220X285 |                 |
| 240               |            | 305 | -     | 134,0          | 146,0          | 162,0 | 1880                               | 225 000                       | 155                             | 120                           | 22                       | M16               | 355,0                   | 27,00             | PHF FX400-240X305 |                 |
| 260               |            | 325 | -     | 134,0          | 146,0          | 162,0 | 1880                               | 244 000                       | 155                             | 115                           | 22                       | M16               | 355,0                   | 30,00             | PHF FX400-260X325 |                 |
| 280               |            | 355 | -     | 165,0          | 177,0          | 197,0 | 2670                               | 373 000                       | 145                             | 120                           | 20                       | M20               | 690,0                   | 46,00             | PHF FX400-280X355 |                 |
| 300               |            | 375 | -     | 165,0          | 177,0          | 197,0 | 2930                               | 440 000                       | 155                             | 125                           | 22                       | M20               | 690,0                   | 50,00             | PHF FX400-300X375 |                 |
| 320               |            | 405 | -     | 165,0          | 177,0          | 197,0 | 2930                               | 470 000                       | 145                             | 115                           | 22                       | M20               | 690,0                   | 60,00             | PHF FX400-320X405 |                 |
| 340               |            | 425 | -     | 165,0          | 177,0          | 197,0 | 3200                               | 544 000                       | 150                             | 120                           | 24                       | M20               | 690,0                   | 65,00             | PHF FX400-340X425 |                 |
| 360               |            | 455 | -     | 190,0          | 202,0          | 224,0 | 3650                               | 658 000                       | 140                             | 110                           | 22                       | M22               | 930,0                   | 89,00             | PHF FX400-360X455 |                 |
| 380               |            | 475 | -     | 190,0          | 202,0          | 224,0 | 4320                               | 821 000                       | 160                             | 130                           | 26                       | M22               | 930,0                   | 93,00             | PHF FX400-380X475 |                 |
| 400               | 495        | -   | 190,0 | 202,0          | 224,0          | 4320  | 864 000                            | 150                           | 120                             | 26                            | M22                      | 930,0             | 98,00                   | PHF FX400-400X495 |                   |                 |





# Sprockets



Metric sprockets, simplex, pilot bore ..... 176



ANSI sprockets, double simplex, taper bushed ..... 238



Metric sprockets, simplex, taper bushed ..... 186



ANSI sprockets, duplex, pilot bore . 239



Metric sprockets, double simplex, pilot bore ..... 192



ANSI sprockets, duplex, taper bushed ..... 244



Metric sprockets, double simplex, taper bushed ..... 194



ANSI sprockets, triplex, pilot bore . 246



Metric sprockets, duplex, standard 196



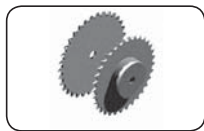
Metric sprockets, duplex, taper bushed ..... 201



Metric sprockets, triplex, standard. 204



Metric sprockets, triplex, taper bushed ..... 208



ANSI sprockets, simplex, pilot bore 209



ANSI sprockets, simplex, taper bushed ..... 232



ANSI sprockets, double simplex, pilot bore ..... 236



## SKF Sprockets

SKF sprocket range nomenclature has a defined prefix of PHS. All sprockets are made to be applied to standardized chains. SKF sprockets conform to conventional basic chain part number format – ISO, BS, or DIN.

## Sprockets

The sprocket range designation from SKF has the following is an example to indicate set up.

**PHS 80-1 TBH 22**

**SKF Designation prefix**

**Chain size and type** —————

Example:  
80-1 – ANSI series chain, simplex type  
16B-3 – ISO/BS series chain, triplex type

**Supplementary** —————

Many different supplementary designations, examples  
TBH- taper bushing type and hardened teeth  
C – Hub type C  
SS – stainless steel material

**Note**  
See SKF product training for full supplementary notations

**Teeth** —————

The number of teeth on the sprocket

**Supplementary**  
Possible other options and special requirements

## Sprockets (PHS Product Group)

All SKF sprockets are manufactured according to ISO606 & ASME B29.100 standard. The sprockets are made from steel material C-45 and premium carbon steel no. 20 on hub material if welded. For some special sprockets gray cast iron HT250 or cast iron 250 material is used.

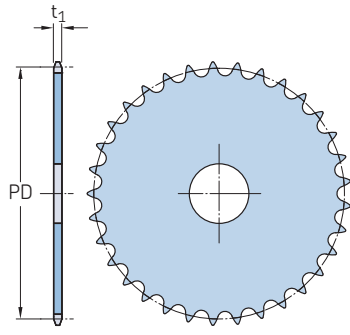
Sprockets 25T and below are hardened as standard (typically 35-40 HRC). This is only valid for sprocket teeth manufactured with steel material C-45. Surface treatment such as black oxide and zinc plating can be offered upon request.

Tolerances are machined according to DIN 8196.

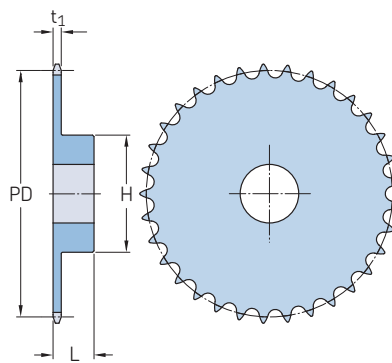
All sprockets are completely deburred and protected with rustproof oil.

Metric sprockets, simplex, pilot bore

ISO 05B-1 · 8 mm pitch



Type A



Type B

| Pitch | Number of teeth | Pitch diameter | Type | Dimensions |      | Hub |    | Plate thickness | Mass         | Designation   |
|-------|-----------------|----------------|------|------------|------|-----|----|-----------------|--------------|---------------|
|       |                 |                |      | Bore stock | Bore | H   | L  |                 |              |               |
| mm    | -               | mm             | -    | mm         | mm   | mm  | mm | mm              | kg           | -             |
| 8     | 8               | 20,90          | A    | 6          | -    | -   | -  | -               | 0,01         | PHS 05B-1A8   |
|       |                 |                | B    | -          | 6    | 6   | 13 | 12              | 2,80         | 0,02          |
|       | 9               | 23,39          | A    | 6          | -    | -   | -  | -               | 0,01         | PHS 05B-1A9   |
|       |                 |                | B    | -          | 6    | 6   | 15 | 12              | 2,80         | 0,02          |
|       | 10              | 25,89          | A    | 8          | -    | -   | -  | -               | 0,01         | PHS 05B-1A10  |
|       |                 |                | B    | -          | 8    | 8   | 17 | 12              | 2,80         | 0,02          |
|       | 11              | 28,39          | A    | 8          | -    | -   | -  | -               | 0,01         | PHS 05B-1A11  |
|       |                 |                | B    | -          | 8    | 8   | 18 | 13              | 2,80         | 0,03          |
|       | 12              | 30,91          | A    | 8          | -    | -   | -  | -               | 0,01         | PHS 05B-1A12  |
|       |                 |                | B    | -          | 8    | 8   | 20 | 13              | 2,80         | 0,03          |
|       | 13              | 33,42          | A    | 8          | -    | -   | -  | -               | 0,01         | PHS 05B-1A13  |
|       |                 |                | B    | -          | 8    | 8   | 23 | 13              | 2,80         | 0,05          |
|       | 14              | 35,95          | A    | 8          | -    | -   | -  | -               | 0,02         | PHS 05B-1A14  |
|       |                 |                | B    | -          | 8    | 10  | 25 | 13              | 2,80         | 0,05          |
|       | 15              | 38,48          | A    | 8          | -    | -   | -  | -               | 0,02         | PHS 05B-1A15  |
|       |                 |                | B    | -          | 8    | 12  | 28 | 13              | 2,80         | 0,07          |
|       | 16              | 41,01          | A    | 8          | -    | -   | -  | -               | 0,02         | PHS 05B-1A16  |
|       |                 |                | B    | -          | 8    | 14  | 30 | 14              | 2,80         | 0,08          |
|       | 17              | 43,53          | A    | 8          | -    | -   | -  | -               | 0,03         | PHS 05B-1A17  |
|       |                 |                | B    | -          | 8    | 14  | 30 | 14              | 2,80         | 0,09          |
|       | 18              | 46,07          | A    | 8          | -    | -   | -  | -               | 0,03         | PHS 05B-1A18  |
|       |                 |                | B    | -          | 8    | 14  | 30 | 14              | 2,80         | 0,09          |
|       | 19              | 48,61          | A    | 8          | -    | -   | -  | -               | 0,03         | PHS 05B-1A19  |
|       |                 |                | B    | -          | 8    | 14  | 30 | 14              | 2,80         | 0,10          |
|       | 20              | 51,14          | A    | 8          | -    | -   | -  | -               | 0,04         | PHS 05B-1A20  |
|       |                 |                | B    | -          | 8    | 14  | 30 | 14              | 2,80         | 0,10          |
|       | 21              | 53,67          | A    | 8          | -    | -   | -  | -               | 0,04         | PHS 05B-1A21  |
|       |                 |                | B    | -          | 8    | 19  | 35 | 14              | 2,80         | 0,13          |
|       | 22              | 56,21          | A    | 8          | -    | -   | -  | -               | 0,05         | PHS 05B-1A22  |
| B     |                 |                | -    | 8          | 19   | 35  | 14 | 2,80            | 0,13         | PHS 05B-1BH22 |
| 23    | 58,75           | A              | 8    | -          | -    | -   | -  | 0,05            | PHS 05B-1A23 |               |
|       |                 | B              | -    | 8          | 19   | 35  | 14 | 2,80            | 0,13         | PHS 05B-1BH23 |
| 24    | 61,29           | A              | 8    | -          | -    | -   | -  | 0,06            | PHS 05B-1A24 |               |
|       |                 | B              | -    | 8          | 19   | 35  | 14 | 2,80            | 0,15         | PHS 05B-1BH24 |
| 25    | 63,83           | A              | 8    | -          | -    | -   | -  | 0,06            | PHS 05B-1A25 |               |
|       |                 | B              | -    | 8          | 19   | 35  | 14 | 2,80            | 0,15         | PHS 05B-1BH25 |
| 26    | 66,37           | A              | 10   | -          | -    | -   | -  | 0,07            | PHS 05B-1A26 |               |
|       |                 | B              | -    | 10         | 23   | 40  | 16 | 2,80            | 0,17         | PHS 05B-1B26  |
| 27    | 68,91           | A              | 10   | -          | -    | -   | -  | 0,07            | PHS 05B-1A27 |               |
|       |                 | B              | -    | 10         | 23   | 40  | 16 | 2,80            | 0,19         | PHS 05B-1B27  |
| 28    | 71,45           | A              | 10   | -          | -    | -   | -  | 0,08            | PHS 05B-1A28 |               |
|       |                 | B              | -    | 10         | 23   | 40  | 16 | 2,80            | 0,20         | PHS 05B-1B28  |
| 29    | 73,99           | A              | 10   | -          | -    | -   | -  | 0,08            | PHS 05B-1A29 |               |
|       |                 | B              | -    | 10         | 23   | 40  | 16 | 2,80            | 0,21         | PHS 05B-1B29  |

| Pitch | Number of teeth | Pitch diameter | Type | Dimensions |      | Hub |    | Plate thickness | Mass         | Designation  |
|-------|-----------------|----------------|------|------------|------|-----|----|-----------------|--------------|--------------|
|       |                 |                |      | Bore stock | Bore | H   | L  |                 |              |              |
| mm    | -               | mm             | -    | mm         | mm   | mm  | mm | mm              | kg           | -            |
| 8     | 30              | 76,53          | A    | 10         | -    | -   | -  | -               | 0,09         | PHS 05B-1A30 |
|       |                 |                | B    | -          | 10   | 23  | 40 | 16              | 2,80         | 0,22         |
|       | 31              | 79,08          | A    | 10         | -    | -   | -  | -               | 0,10         | PHS 05B-1A31 |
|       |                 |                | B    | -          | 10   | 23  | 40 | 16              | 2,80         | 0,23         |
|       | 32              | 81,61          | A    | 10         | -    | -   | -  | -               | 0,11         | PHS 05B-1A32 |
|       |                 |                | B    | -          | 10   | 23  | 40 | 16              | 2,80         | 0,23         |
|       | 33              | 84,16          | A    | 10         | -    | -   | -  | -               | 0,12         | PHS 05B-1A33 |
|       |                 |                | B    | -          | 10   | 23  | 40 | 16              | 2,80         | 0,24         |
|       | 34              | 86,70          | A    | 10         | -    | -   | -  | -               | 0,12         | PHS 05B-1A34 |
|       |                 |                | B    | -          | 10   | 23  | 40 | 16              | 2,80         | 0,25         |
|       | 35              | 89,24          | A    | 10         | -    | -   | -  | -               | 0,12         | PHS 05B-1A35 |
|       |                 |                | B    | -          | 10   | 23  | 40 | 16              | 2,80         | 0,25         |
|       | 36              | 91,79          | A    | 10         | -    | -   | -  | -               | 0,13         | PHS 05B-1A36 |
|       |                 |                | B    | -          | 10   | 23  | 40 | 16              | 2,80         | 0,26         |
|       | 37              | 94,33          | A    | 10         | -    | -   | -  | -               | 0,14         | PHS 05B-1A37 |
|       |                 |                | B    | -          | 10   | 23  | 40 | 16              | 2,80         | 0,26         |
|       | 38              | 96,88          | A    | 10         | -    | -   | -  | -               | 0,15         | PHS 05B-1A38 |
|       |                 |                | B    | -          | 10   | 23  | 40 | 16              | 2,80         | 0,27         |
|       | 39              | 99,42          | A    | 10         | -    | -   | -  | -               | 0,16         | PHS 05B-1A39 |
|       |                 |                | B    | -          | 10   | 23  | 40 | 16              | 2,80         | 0,28         |
|       | 40              | 101,97         | A    | 10         | -    | -   | -  | -               | 0,16         | PHS 05B-1A40 |
|       |                 |                | B    | -          | 10   | 23  | 40 | 16              | 2,80         | 0,28         |
|       | 41              | 104,51         | A    | 12         | -    | -   | -  | -               | 0,17         | PHS 05B-1A41 |
|       |                 |                | B    | -          | 10   | 23  | 60 | 20              | 2,80         | 0,29         |
|       | 42              | 107,05         | A    | 12         | -    | -   | -  | -               | 0,18         | PHS 05B-1A42 |
|       |                 |                | B    | -          | 10   | 23  | 60 | 20              | 2,80         | 0,30         |
|       | 43              | 109,60         | A    | 12         | -    | -   | -  | -               | 0,19         | PHS 05B-1A43 |
|       |                 |                | B    | -          | 10   | 23  | 60 | 20              | 2,80         | 0,30         |
|       | 44              | 112,14         | A    | 12         | -    | -   | -  | -               | 0,20         | PHS 05B-1A44 |
|       |                 |                | B    | -          | 10   | 23  | 60 | 20              | 2,80         | 0,31         |
| 45    | 114,69          | A              | 12   | -          | -    | -   | -  | 0,21            | PHS 05B-1A45 |              |
|       |                 | B              | -    | 12         | 40   | 60  | 20 | 2,80            | 0,31         | PHS 05B-1B45 |
| 46    | 117,23          | A              | 12   | -          | -    | -   | -  | 0,21            | PHS 05B-1A46 |              |
|       |                 | B              | -    | 12         | 40   | 60  | 20 | 2,80            | 0,32         | PHS 05B-1B46 |
| 47    | 119,77          | A              | 12   | -          | -    | -   | -  | 0,32            | PHS 05B-1A47 |              |
|       |                 | B              | -    | 12         | 40   | 60  | 20 | 2,80            | 0,33         | PHS 05B-1B47 |
| 48    | 122,32          | A              | 12   | -          | -    | -   | -  | 0,34            | PHS 05B-1A48 |              |
|       |                 | B              | -    | 12         | 40   | 60  | 20 | 2,80            | 0,33         | PHS 05B-1B48 |
| 54    | 137,59          | A              | 14   | -          | -    | -   | -  | 0,67            | PHS 05B-1A54 |              |
|       |                 | B              | -    | 12         | 40   | 80  | 20 | 2,80            | 0,37         | PHS 05B-1B54 |
| 57    | 145,22          | A              | 14   | -          | -    | -   | -  | 1,47            | PHS 05B-1A57 |              |
|       |                 | B              | -    | 14         | 55   | 80  | 20 | 2,80            | 0,39         | PHS 05B-1B57 |
| 60    | 152,85          | A              | 14   | -          | -    | -   | -  | 1,53            | PHS 05B-1A60 |              |
|       |                 | B              | -    | 14         | 55   | 80  | 34 | 2,80            | 0,41         | PHS 05B-1B60 |

Maximum bores can accommodate standard keyways. Larger bores are available where a shallow keyway is used or no keyway is required. All Type B or C sprockets, up to and including 25 tooth, are with hardened teeth as standard. For any additional size sprockets with hardened teeth, add "H" before the number of teeth, e.g. PHS 08B-1AH8.



Metric sprockets, simplex, pilot bore

ISO 05B-1 · 8 mm pitch | ISO 06B-1 · 9,525 mm pitch

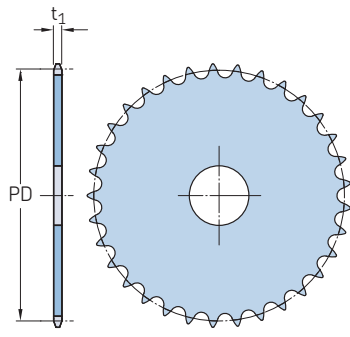
| Pitch | Number of teeth | Pitch diameter | Type   | Dimensions |           |                | Hub            | Plate thickness | Mass                           | Designation |
|-------|-----------------|----------------|--------|------------|-----------|----------------|----------------|-----------------|--------------------------------|-------------|
|       |                 |                |        | Bore       | Bore      | t <sub>1</sub> |                |                 |                                |             |
|       |                 |                |        | stock      | stock     |                |                |                 |                                |             |
| mm    | -               | mm             | -      | mm         | Min. Max. | H L            | t <sub>1</sub> | kg              | -                              |             |
|       |                 | PD             |        |            |           |                |                |                 |                                |             |
| 8     | 64              | 163,04         | A<br>B | 16         | - -       | - - -          | -              | 1,62<br>0,43    | PHS 05B-1A64<br>PHS 05B-1B64   |             |
|       | 70              | 178,31         | A<br>B | 16         | - 14      | 55 80 34       | 2,80           | 1,74<br>0,47    | PHS 05B-1A70<br>PHS 05B-1B70   |             |
|       | 72              | 183,41         | A<br>B | 20         | - 14      | 55 80 34       | 2,80           | 1,79<br>0,48    | PHS 05B-1A72<br>PHS 05B-1B72   |             |
|       | 76              | 193,59         | A<br>B | 20         | - 20      | 55 80 34       | 2,80           | 1,87<br>0,51    | PHS 05B-1A76<br>PHS 05B-1B76   |             |
|       | 80              | 203,77         | A<br>B | 20         | - 20      | 55 80 34       | 2,80           | 1,95<br>0,53    | PHS 05B-1A80<br>PHS 05B-1B80   |             |
|       | 84              | 213,95         | A<br>B | 20         | - 20      | 55 80 34       | 2,80           | 2,04<br>0,56    | PHS 05B-1A84<br>PHS 05B-1B84   |             |
|       | 90              | 229,23         | A<br>B | 20         | - 20      | 55 80 34       | 2,80           | 2,16<br>0,60    | PHS 05B-1A90<br>PHS 05B-1B90   |             |
|       | 95              | 241,96         | A<br>B | 20         | - 20      | 55 80 34       | 2,80           | 2,27<br>0,63    | PHS 05B-1A95<br>PHS 05B-1B95   |             |
|       | 96              | 244,50         | A<br>B | 20         | - 20      | 55 80 34       | 2,80           | 2,29<br>0,63    | PHS 05B-1A96<br>PHS 05B-1B96   |             |
|       | 114             | 290,33         | A<br>B | 20         | - 20      | 55 88 39       | 2,80           | 2,67<br>0,75    | PHS 05B-1A114<br>PHS 05B-1B114 |             |
| 9,525 | 8               | 24,89          | A<br>B | 6          | - 6       | 6 15+20        | 5,31           | 0,02<br>0,03    | PHS 06B-1A8<br>PHS 06B-1BH8    |             |
|       | 9               | 27,85          | A<br>B | 8          | - 8       | 8 18+20        | 5,31           | 0,02<br>0,04    | PHS 06B-1A9<br>PHS 06B-1BH9    |             |
|       | 10              | 30,82          | A<br>B | 8          | - 8       | 8 20 20        | 5,31           | 0,02<br>0,06    | PHS 06B-1A10<br>PHS 06B-1BH10  |             |
|       | 11              | 33,80          | A<br>B | 8          | - 8       | 8 22 25        | 5,31           | 0,03<br>0,08    | PHS 06B-1A11<br>PHS 06B-1BH11  |             |
|       | 12              | 36,80          | A<br>B | 8          | - 8       | 10 25 25       | 5,31           | 0,04<br>0,10    | PHS 06B-1A12<br>PHS 06B-1BH12  |             |
|       | 13              | 39,79          | A<br>B | 8          | - 10      | 12 28 25       | 5,31           | 0,05<br>0,12    | PHS 06B-1A13<br>PHS 06B-1BH13  |             |
|       | 14              | 42,80          | A<br>B | 8          | - 10      | 15 31 25       | 5,31           | 0,05<br>0,15    | PHS 06B-1A14<br>PHS 06B-1BH14  |             |
|       | 15              | 45,81          | A<br>B | 8          | - 10      | 18 34 25       | 5,31           | 0,06<br>0,19    | PHS 06B-1A15<br>PHS 06B-1BH15  |             |
|       | 16              | 48,82          | A<br>B | 10         | - 10      | 20 37 28       | 5,31           | 0,07<br>0,24    | PHS 06B-1A16<br>PHS 06B-1BH16  |             |
|       | 17              | 51,83          | A<br>B | 10         | - 10      | 23 40 28       | 5,31           | 0,07<br>0,29    | PHS 06B-1A17<br>PHS 06B-1BH17  |             |
|       | 18              | 54,85          | A<br>B | 10         | - 10      | 26 43 28       | 5,31           | 0,08<br>0,33    | PHS 06B-1A18<br>PHS 06B-1BH18  |             |
|       | 19              | 57,87          | A<br>B | 10         | - 10      | 28 45 28       | 5,31           | 0,09<br>0,37    | PHS 06B-1A19<br>PHS 06B-1BH19  |             |
|       | 20              | 60,89          | A<br>B | 10         | - 10      | 28 46 28       | 5,31           | 0,10<br>0,39    | PHS 06B-1A20<br>PHS 06B-1BH20  |             |
|       | 21              | 63,91          | A<br>B | 10         | - 12      | 30 48 28       | 5,31           | 0,11<br>0,42    | PHS 06B-1A21<br>PHS 06B-1BH21  |             |
|       | 22              | 66,93          | A<br>B | 10         | - 12      | 35 50 28       | 5,31           | 0,13<br>0,46    | PHS 06B-1A22<br>PHS 06B-1BH22  |             |
|       | 23              | 69,95          | A<br>B | 10         | - 12      | 35 52 28       | 5,31           | 0,14<br>0,50    | PHS 06B-1A23<br>PHS 06B-1BH23  |             |
|       | 24              | 72,97          | A<br>B | 10         | - 12      | 35 54 28       | 5,31           | 0,15<br>0,54    | PHS 06B-1A24<br>PHS 06B-1BH24  |             |
|       | 25              | 76,00          | A<br>B | 10         | - 12      | 40 57 28       | 5,31           | 0,17<br>0,60    | PHS 06B-1A25<br>PHS 06B-1BH25  |             |
|       | 26              | 79,02          | A<br>B | 10         | - 12      | 40 60 28       | 5,31           | 0,18<br>0,67    | PHS 06B-1A26<br>PHS 06B-1B26   |             |
|       | 27              | 82,05          | A<br>B | 10         | - 12      | 40 60 28       | 5,31           | 0,19<br>0,68    | PHS 06B-1A27<br>PHS 06B-1B27   |             |

| Pitch | Number of teeth | Pitch diameter | Type   | Dimensions |           |                | Hub            | Plate thickness | Mass                         | Designation |
|-------|-----------------|----------------|--------|------------|-----------|----------------|----------------|-----------------|------------------------------|-------------|
|       |                 |                |        | Bore       | Bore      | t <sub>1</sub> |                |                 |                              |             |
|       |                 |                |        | stock      | stock     |                |                |                 |                              |             |
| mm    | -               | mm             | -      | mm         | Min. Max. | H L            | t <sub>1</sub> | kg              | -                            |             |
|       |                 | PD             |        |            |           |                |                |                 |                              |             |
| 9,525 | 28              | 85,07          | A<br>B | 10         | - 12      | 40 60 28       | 5,31           | 0,21<br>0,70    | PHS 06B-1A28<br>PHS 06B-1B28 |             |
|       | 29              | 88,09          | A<br>B | 10         | - 12      | 40 60 28       | 5,31           | 0,23<br>0,72    | PHS 06B-1A29<br>PHS 06B-1B29 |             |
|       | 30              | 91,12          | A<br>B | 10         | - 12      | 40 60 28       | 5,31           | 0,25<br>0,77    | PHS 06B-1A30<br>PHS 06B-1B30 |             |
|       | 31              | 94,15          | A<br>B | 12         | - 14      | 43 65 30       | 5,31           | 0,26<br>0,88    | PHS 06B-1A31<br>PHS 06B-1B31 |             |
|       | 32              | 97,17          | A<br>B | 12         | - 14      | 43 65 30       | 5,31           | 0,28<br>0,90    | PHS 06B-1A32<br>PHS 06B-1B32 |             |
|       | 33              | 100,20         | A<br>B | 12         | - 14      | 43 65 30       | 5,31           | 0,30<br>0,91    | PHS 06B-1A33<br>PHS 06B-1B33 |             |
|       | 34              | 103,23         | A<br>B | 12         | - 14      | 43 65 30       | 5,31           | 0,32<br>0,94    | PHS 06B-1A34<br>PHS 06B-1B34 |             |
|       | 35              | 106,26         | A<br>B | 12         | - 14      | 43 65 30       | 5,31           | 0,34<br>0,95    | PHS 06B-1A35<br>PHS 06B-1B35 |             |
|       | 36              | 109,29         | A<br>B | 12         | - 14      | 48 70 30       | 5,31           | 0,35<br>1,07    | PHS 06B-1A36<br>PHS 06B-1B36 |             |
|       | 37              | 112,32         | A<br>B | 12         | - 14      | 48 70 30       | 5,31           | 0,38<br>1,09    | PHS 06B-1A37<br>PHS 06B-1B37 |             |
|       | 38              | 115,35         | A<br>B | 12         | - 14      | 48 70 30       | 5,31           | 0,39<br>1,10    | PHS 06B-1A38<br>PHS 06B-1B38 |             |
|       | 39              | 118,37         | A<br>B | 12         | - 14      | 48 70 30       | 5,31           | 0,42<br>1,12    | PHS 06B-1A39<br>PHS 06B-1B39 |             |
|       | 40              | 121,40         | A<br>B | 12         | - 14      | 48 70 30       | 5,31           | 0,44<br>1,16    | PHS 06B-1A40<br>PHS 06B-1B40 |             |
|       | 41              | 124,43         | A<br>B | 16         | - 14      | 48 78 32       | 5,31           | 0,46<br>1,28    | PHS 06B-1A41<br>PHS 06B-1B41 |             |
|       | 42              | 127,46         | A<br>B | 16         | - 14      | 48 78 32       | 5,31           | 0,48<br>1,36    | PHS 06B-1A42<br>PHS 06B-1B42 |             |
|       | 43              | 130,49         | A<br>B | 16         | - 14      | 48 78 32       | 5,31           | 0,51<br>1,44    | PHS 06B-1A43<br>PHS 06B-1B43 |             |
|       | 44              | 133,52         | A<br>B | 16         | - 14      | 48 78 32       | 5,31           | 0,54<br>1,52    | PHS 06B-1A44<br>PHS 06B-1B44 |             |
|       | 45              | 136,55         | A<br>B | 16         | - 14      | 40 78 32       | 5,31           | 0,56<br>1,40    | PHS 06B-1A45<br>PHS 06B-1B45 |             |
|       | 46              | 139,58         | A<br>B | 16         | - 14      | 48 78 32       | 5,31           | 0,59<br>1,68    | PHS 06B-1A46<br>PHS 06B-1B46 |             |
|       | 47              | 142,61         | A<br>B | 16         | - 14      | 48 78 32       | 5,31           | 0,61<br>1,76    | PHS 06B-1A47<br>PHS 06B-1B47 |             |
|       | 48              | 145,64         | A<br>B | 16         | - 14      | 48 78 32       | 5,31           | 0,63<br>1,84    | PHS 06B-1A48<br>PHS 06B-1B48 |             |
|       | 50              | 151,69         | A<br>B | 16         | - 14      | 48 78 32       | 5,31           | 0,65<br>2,06    | PHS 06B-1A50<br>PHS 06B-1B50 |             |
|       | 54              | 163,82         | A<br>B | 16         | - 14      | 48 78 32       | 5,31           | 0,68<br>2,32    | PHS 06B-1A54<br>PHS 06B-1B54 |             |
|       | 57              | 172,91         | A<br>B | 16         | - 14      | 40 78 32       | 5,31           | 1,71<br>1,70    | PHS 06B-1A57<br>PHS 06B-1B57 |             |
|       | 60              | 182,00         | A<br>B | 16         | - 14      | 48 78 32       | 5,31           | 0,91<br>2,80    | PHS 06B-1A60<br>PHS 06B-1B60 |             |
|       | 64              | 194,12         | A<br>B | 20         | - 14      | 48 78 32       | 5,31           | 0,97<br>3,12    | PHS 06B-1A64<br>PHS 06B-1B64 |             |
|       | 65              | 197,15         | A<br>B | 20         | - 14      | 48 78 32       | 5,31           | 1,01<br>3,31    | PHS 06B-1A65<br>PHS 06B-1B65 |             |
|       | 70              | 212,30         | A<br>B | 20         | - 14      | 48 78 32       | 5,31           | 1,06<br>3,60    | PHS 06B-1A70<br>PHS 06B-1B70 |             |
|       | 72              | 218,37         | A<br>B | 20         | - 14      | 48 78 32       | 5,31           | 1,09<br>3,76    | PHS 06B-1A72<br>PHS 06B-1B72 |             |
|       | 76              | 230,49         | A<br>B | 20         | - 14      | 48 78 32       | 5,31           | 1,64<br>2,79    | PHS 06B-1A76<br>PHS 06B-1B76 |             |

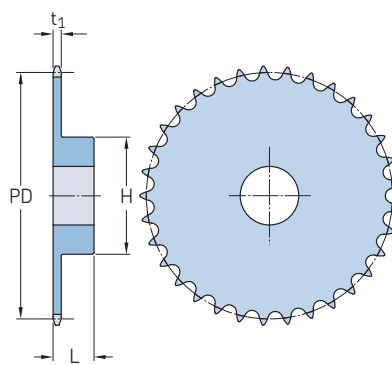
Maximum bores can accommodate standard keyways. Larger bores are available where a shallow keyway is used or no keyway is required. All Type B or C sprockets, up to and including 25 tooth, are with hardened teeth as standard. For any additional size sprockets with hardened teeth, add "H" before the number of teeth, e.g. PHS 08B-1AH8.

Metric sprockets, simplex, pilot bore

ISO 06B-1 · 9,525 mm pitch | ISO 08B-1 · 12,70 mm pitch



Type A



Type B

| Pitch | Number of teeth | Pitch diameter | Type | Dimensions |      | Hub |    | Plate thickness | Mass          | Designation   |
|-------|-----------------|----------------|------|------------|------|-----|----|-----------------|---------------|---------------|
|       |                 |                |      | Bore stock | Bore | H   | L  |                 |               |               |
| mm    | -               | mm             | -    | mm         | mm   | mm  | mm | t <sub>1</sub>  | kg            | -             |
| 9,525 | 80              | 242,61         | A    | 20         | -    | -   | -  | -               | 1,53          | PHS 06B-1A80  |
|       |                 |                | B    | -          | 14   | 52  | 78 | 32              | 5,31          | 4,40          |
|       | 84              | 254,74         | A    | 20         | -    | -   | -  | -               | 1,60          | PHS 06B-1A84  |
|       |                 |                | B    | -          | 14   | 52  | 80 | 32              | 5,31          | 4,72          |
|       | 85              | 257,77         | A    | 20         | -    | -   | -  | -               | 1,66          | PHS 06B-1A85  |
|       |                 |                | B    | -          | 14   | 52  | 80 | 32              | 5,31          | 4,93          |
|       | 90              | 272,93         | A    | 20         | -    | -   | -  | -               | 1,72          | PHS 06B-1A90  |
|       |                 |                | B    | -          | 14   | 55  | 80 | 32              | 5,31          | 5,20          |
|       | 92              | 278,99         | A    | 20         | -    | -   | -  | -               | 2,16          | PHS 06B-1A92  |
|       |                 |                | B    | -          | 14   | 55  | 80 | 32              | 5,31          | 5,45          |
|       | 95              | 288,08         | A    | 20         | -    | -   | -  | -               | 2,60          | PHS 06B-1A95  |
| B     |                 |                | -    | 14         | 55   | 80  | 32 | 5,31            | 3,95          | PHS 06B-1B95  |
| 96    | 291,11          | A              | 20   | -          | -    | -   | -  | 2,20            | PHS 06B-1A96  |               |
|       |                 | B              | -    | 14         | 55   | 80  | 32 | 5,31            | 5,68          | PHS 06B-1B96  |
| 114   | 345,68          | A              | 20   | -          | -    | -   | -  | 3,13            | PHS 06B-1A114 |               |
|       |                 | B              | -    | 14         | 55   | 80  | 32 | 5,31            | 7,12          | PHS 06B-1B114 |
| 12,70 | 8               | 33,18          | A    | 8          | -    | -   | -  | -               | 0,03          | PHS 08B-1A8   |
|       |                 |                | B    | -          | 10   | 10  | 20 | 25              | 7,37          | 0,06          |
|       | 9               | 37,13          | A    | 8          | -    | -   | -  | -               | 0,04          | PHS 08B-1A9   |
|       |                 |                | B    | -          | 10   | 10  | 24 | 25              | 7,37          | 0,09          |
|       | 10              | 41,10          | A    | 8          | -    | -   | -  | -               | 0,06          | PHS 08B-1A10  |
|       |                 |                | B    | -          | 10   | 11  | 26 | 25              | 7,37          | 0,12          |
|       | 11              | 45,07          | A    | 10         | -    | -   | -  | -               | 0,07          | PHS 08B-1A11  |
|       |                 |                | B    | -          | 10   | 13  | 29 | 25              | 7,37          | 0,15          |
|       | 12              | 49,07          | A    | 10         | -    | -   | -  | -               | 0,09          | PHS 08B-1A12  |
|       |                 |                | B    | -          | 10   | 17  | 33 | 28              | 7,37          | 0,21          |
|       | 13              | 53,06          | A    | 10         | -    | -   | -  | -               | 0,10          | PHS 08B-1A13  |
| B     |                 |                | -    | 10         | 20   | 37  | 28 | 7,37            | 0,27          | PHS 08B-1B13  |
| 14    | 57,07           | A              | 10   | -          | -    | -   | -  | 0,12            | PHS 08B-1A14  |               |
|       |                 | B              | -    | 10         | 24   | 41  | 28 | 7,37            | 0,33          | PHS 08B-1B14  |
| 15    | 61,09           | A              | 10   | -          | -    | -   | -  | 0,13            | PHS 08B-1A15  |               |
|       |                 | B              | -    | 10         | 28   | 45  | 28 | 7,37            | 0,39          | PHS 08B-1B15  |
| 16    | 65,10           | A              | 10   | -          | -    | -   | -  | 0,16            | PHS 08B-1A16  |               |
|       |                 | B              | -    | 12         | 30   | 50  | 28 | 7,37            | 0,46          | PHS 08B-1B16  |
| 17    | 69,11           | A              | 10   | -          | -    | -   | -  | 0,18            | PHS 08B-1A17  |               |
|       |                 | B              | -    | 12         | 30   | 52  | 28 | 7,37            | 0,51          | PHS 08B-1B17  |
| 18    | 73,14           | A              | 10   | -          | -    | -   | -  | 0,20            | PHS 08B-1A18  |               |
|       |                 | B              | -    | 12         | 35   | 56  | 28 | 7,37            | 0,59          | PHS 08B-1B18  |
| 19    | 77,16           | A              | 10   | -          | -    | -   | -  | 0,23            | PHS 08B-1A19  |               |
|       |                 | B              | -    | 12         | 40   | 60  | 28 | 7,37            | 0,67          | PHS 08B-1B19  |
| 20    | 81,19           | A              | 10   | -          | -    | -   | -  | 0,25            | PHS 08B-1A20  |               |
|       |                 | B              | -    | 12         | 40   | 64  | 28 | 7,37            | 0,77          | PHS 08B-1B20  |
| 21    | 85,22           | A              | 12   | -          | -    | -   | -  | 0,26            | PHS 08B-1A21  |               |
|       |                 | B              | -    | 12         | 40   | 68  | 28 | 7,37            | 0,85          | PHS 08B-1B21  |

| Pitch | Number of teeth | Pitch diameter | Type | Dimensions |      | Hub |    | Plate thickness | Mass         | Designation  |
|-------|-----------------|----------------|------|------------|------|-----|----|-----------------|--------------|--------------|
|       |                 |                |      | Bore stock | Bore | H   | L  |                 |              |              |
| mm    | -               | mm             | -    | mm         | mm   | mm  | mm | t <sub>1</sub>  | kg           | -            |
| 12,70 | 22              | 89,24          | A    | 12         | -    | -   | -  | -               | 0,30         | PHS 08B-1A22 |
|       |                 |                | B    | -          | 12   | 40  | 70 | 28              | 7,37         | 0,92         |
|       | 23              | 93,27          | A    | 12         | -    | -   | -  | -               | 0,34         | PHS 08B-1A23 |
|       |                 |                | B    | -          | 14   | 40  | 70 | 28              | 7,37         | 0,95         |
|       | 24              | 97,29          | A    | 12         | -    | -   | -  | -               | 0,37         | PHS 08B-1A24 |
|       |                 |                | B    | -          | 14   | 40  | 70 | 28              | 7,37         | 0,98         |
|       | 25              | 101,33         | A    | 12         | -    | -   | -  | -               | 0,41         | PHS 08B-1A25 |
|       |                 |                | B    | -          | 14   | 40  | 70 | 28              | 7,37         | 1,01         |
|       | 26              | 105,36         | A    | 16         | -    | -   | -  | -               | 0,44         | PHS 08B-1A26 |
|       |                 |                | B    | -          | 16   | 46  | 70 | 30              | 7,37         | 1,09         |
|       | 27              | 109,40         | A    | 16         | -    | -   | -  | -               | 0,48         | PHS 08B-1A27 |
| B     |                 |                | -    | 16         | 46   | 70  | 30 | 7,37            | 1,13         | PHS 08B-1B27 |
| 28    | 113,42          | A              | 16   | -          | -    | -   | -  | 0,51            | PHS 08B-1A28 |              |
|       |                 | B              | -    | 16         | 46   | 70  | 30 | 7,37            | 1,17         | PHS 08B-1B28 |
| 29    | 117,46          | A              | 16   | -          | -    | -   | -  | 0,55            | PHS 08B-1A29 |              |
|       |                 | B              | -    | 16         | 46   | 80  | 30 | 7,37            | 1,41         | PHS 08B-1B29 |
| 30    | 121,50          | A              | 16   | -          | -    | -   | -  | 0,59            | PHS 08B-1A30 |              |
|       |                 | B              | -    | 16         | 46   | 80  | 30 | 7,37            | 1,46         | PHS 08B-1B30 |
| 31    | 125,54          | A              | 16   | -          | -    | -   | -  | 0,63            | PHS 08B-1A31 |              |
|       |                 | B              | -    | 16         | 46   | 90  | 30 | 7,37            | 1,75         | PHS 08B-1B31 |
| 32    | 129,56          | A              | 16   | -          | -    | -   | -  | 0,68            | PHS 08B-1A32 |              |
|       |                 | B              | -    | 16         | 46   | 90  | 30 | 7,37            | 1,79         | PHS 08B-1B32 |
| 33    | 133,60          | A              | 16   | -          | -    | -   | -  | 0,72            | PHS 08B-1A33 |              |
|       |                 | B              | -    | 16         | 46   | 90  | 30 | 7,37            | 1,83         | PHS 08B-1B33 |
| 34    | 137,64          | A              | 16   | -          | -    | -   | -  | 0,78            | PHS 08B-1A34 |              |
|       |                 | B              | -    | 16         | 46   | 90  | 30 | 7,37            | 1,87         | PHS 08B-1B34 |
| 35    | 141,68          | A              | 16   | -          | -    | -   | -  | 0,81            | PHS 08B-1A35 |              |
|       |                 | B              | -    | 16         | 46   | 90  | 30 | 7,37            | 1,94         | PHS 08B-1B35 |
| 36    | 145,72          | A              | 16   | -          | -    | -   | -  | 0,87            | PHS 08B-1A36 |              |
|       |                 | B              | -    | 16         | 50   | 90  | 35 | 7,37            | 2,21         | PHS 08B-1B36 |
| 37    | 149,76          | A              | 16   | -          | -    | -   | -  | 0,92            | PHS 08B-1A37 |              |
|       |                 | B              | -    | 16         | 50   | 90  | 35 | 7,37            | 2,24         | PHS 08B-1B37 |
| 38    | 153,80          | A              | 16   | -          | -    | -   | -  | 0,97            | PHS 08B-1A38 |              |
|       |                 | B              | -    | 16         | 50   | 90  | 35 | 7,37            | 2,33         | PHS 08B-1B38 |
| 39    | 157,83          | A              | 16   | -          | -    | -   | -  | 1,02            | PHS 08B-1A39 |              |
|       |                 | B              | -    | 16         | 50   | 90  | 35 | 7,37            | 2,30         | PHS 08B-1B39 |
| 40    | 161,87          | A              | 16   | -          | -    | -   | -  | 1,08            | PHS 08B-1A40 |              |
|       |                 | B              | -    | 16         | 50   | 90  | 35 | 7,37            | 2,44         | PHS 08B-1B40 |
| 41    | 165,91          | A              | 20   | -          | -    | -   | -  | 1,10            | PHS 08B-1A41 |              |
|       |                 | B              | -    | 16         | 50   | 90  | 40 | 7,37            | 2,41         | PHS 08B-1B41 |
| 42    | 169,95          | A              | 20   | -          | -    | -   | -  | 1,00            | PHS 08B-1A42 |              |
|       |                 | B              | -    | 16         | 60   | 90  | 40 | 7,37            | 2,38         | PHS 08B-1B42 |
| 43    | 173,99          | A              | 20   | -          | -    | -   | -  | 1,24            | PHS 08B-1A43 |              |
|       |                 | B              | -    | 16         | 50   | 90  | 40 | 7,37            | 2,35         | PHS 08B-1B43 |

Maximum bores can accommodate standard keyways. Larger bores are available where a shallow keyway is used or no keyway is required. All Type B or C sprockets, up to and including 25 tooth, are with hardened teeth as standard. For any additional size sprockets with hardened teeth, add "H" before the number of teeth, e.g. PHS 08B-1AH8.

**Metric sprockets, simplex, pilot bore**

ISO 08B-1 · 12,70 mm pitch | ISO 10B-1 · 15,88 mm pitch

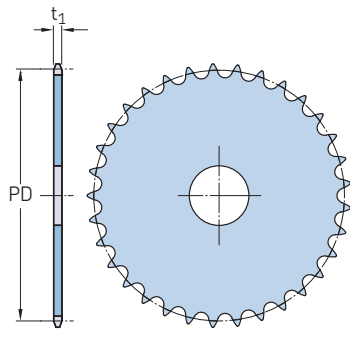
| Pitch        | Number of teeth | Pitch diameter | Type   | Dimensions |         | Hub     |         | Plate thickness t <sub>1</sub> | Mass         | Designation                    |
|--------------|-----------------|----------------|--------|------------|---------|---------|---------|--------------------------------|--------------|--------------------------------|
|              |                 |                |        | Bore stock | Bore    | H       | L       |                                |              |                                |
|              |                 |                |        | Min.       | Max.    |         |         |                                |              |                                |
| mm           | -               | mm             | -      | mm         |         |         |         | kg                             | -            |                                |
| <b>12,70</b> | 44              | 178,03         | A<br>B | 20<br>-    | -<br>16 | -<br>50 | -<br>90 | -<br>40                        | 1,28<br>2,32 | PHS 08B-1A44<br>PHS 08B-1B44   |
|              | 45              | 182,07         | A<br>B | 20<br>-    | -<br>16 | -<br>50 | -<br>90 | -<br>40                        | 1,00<br>2,30 | PHS 08B-1A45<br>PHS 08B-1B45   |
|              | 46              | 186,10         | A<br>B | 20<br>-    | -<br>16 | -<br>50 | -<br>90 | -<br>40                        | 1,43<br>2,45 | PHS 08B-1A46<br>PHS 08B-1B46   |
|              | 47              | 190,14         | A<br>B | 20<br>-    | -<br>16 | -<br>50 | -<br>90 | -<br>40                        | 1,50<br>2,60 | PHS 08B-1A47<br>PHS 08B-1B47   |
|              | 48              | 194,18         | A<br>B | 20<br>-    | -<br>16 | -<br>64 | -<br>90 | -<br>40                        | 1,57<br>2,85 | PHS 08B-1A48<br>PHS 08B-1B48   |
|              | 50              | 208,30         | A<br>B | 20<br>-    | -<br>16 | -<br>64 | -<br>90 | -<br>40                        | 1,81<br>2,92 | PHS 08B-1A50<br>PHS 08B-1B50   |
|              | 54              | 218,43         | A<br>B | 20<br>-    | -<br>16 | -<br>64 | -<br>90 | -<br>40                        | 2,00<br>3,00 | PHS 08B-1A54<br>PHS 08B-1B54   |
|              | 57              | 230,54         | A<br>B | 20<br>-    | -<br>16 | -<br>50 | -<br>90 | -<br>40                        | 2,22<br>3,13 | PHS 08B-1A57<br>PHS 08B-1B57   |
|              | 60              | 242,66         | A<br>B | 20<br>-    | -<br>16 | -<br>64 | -<br>90 | -<br>40                        | 2,50<br>3,30 | PHS 08B-1A60<br>PHS 08B-1B60   |
|              | 64              | 258,82         | A<br>B | 25<br>-    | -<br>16 | -<br>64 | -<br>90 | -<br>40                        | 2,87<br>3,60 | PHS 08B-1A64<br>PHS 08B-1B64   |
|              | 70              | 283,07         | A<br>B | 25<br>-    | -<br>16 | -<br>64 | -<br>90 | -<br>40                        | 3,43<br>3,80 | PHS 08B-1A70<br>PHS 08B-1B70   |
|              | 72              | 291,16         | A<br>B | 25<br>-    | -<br>16 | -<br>64 | -<br>90 | -<br>40                        | 3,62<br>4,00 | PHS 08B-1A72<br>PHS 08B-1B72   |
|              | 76              | 307,33         | A<br>B | 25<br>-    | -<br>16 | -<br>50 | -<br>90 | -<br>40                        | 3,99<br>4,12 | PHS 08B-1A76<br>PHS 08B-1B76   |
|              | 80              | 323,48         | A<br>B | 25<br>-    | -<br>16 | -<br>64 | -<br>90 | -<br>40                        | 4,46<br>5,00 | PHS 08B-1A80<br>PHS 08B-1B80   |
|              | 84              | 339,65         | A<br>B | 25<br>-    | -<br>16 | -<br>64 | -<br>90 | -<br>40                        | 4,93<br>6,12 | PHS 08B-1A84<br>PHS 08B-1B84   |
|              | 85              | 343,69         | A<br>B | 25<br>-    | -<br>16 | -<br>64 | -<br>90 | -<br>40                        | 5,05<br>6,32 | PHS 08B-1A85<br>PHS 08B-1B85   |
|              | 92              | 371,99         | A<br>B | 25<br>-    | -<br>16 | -<br>64 | -<br>90 | -<br>40                        | 5,88<br>6,92 | PHS 08B-1A92<br>PHS 08B-1B92   |
|              | 95              | 384,11         | A<br>B | 25<br>-    | -<br>16 | -<br>55 | -<br>90 | -<br>40                        | 6,23<br>7,38 | PHS 08B-1A95<br>PHS 08B-1B95   |
|              | 96              | 388,15         | A<br>B | 25<br>-    | -<br>16 | -<br>64 | -<br>90 | -<br>40                        | 6,35<br>8,00 | PHS 08B-1A96<br>PHS 08B-1B96   |
|              | 114             | 460,90         | A<br>B | 25<br>-    | -<br>16 | -<br>64 | -<br>90 | -<br>40                        | 8,47<br>9,50 | PHS 08B-1A114<br>PHS 08B-1B114 |
| <b>15,88</b> | 8               | 41,48          | A<br>B | 10<br>-    | -<br>10 | -<br>11 | -<br>25 | -<br>25                        | 0,07<br>0,12 | PHS 10B-1A8<br>PHS 10B-1B8     |
|              | 9               | 46,42          | A<br>B | 10<br>-    | -<br>10 | -<br>15 | -<br>30 | -<br>25                        | 0,10<br>0,17 | PHS 10B-1A9<br>PHS 10B-1B9     |
|              | 10              | 51,37          | A<br>B | 10<br>-    | -<br>10 | -<br>18 | -<br>35 | -<br>25                        | 0,12<br>0,23 | PHS 10B-1A10<br>PHS 10B-1B10   |
|              | 11              | 56,34          | A<br>B | 10<br>-    | -<br>12 | -<br>21 | -<br>37 | -<br>30                        | 0,15<br>0,30 | PHS 10B-1A11<br>PHS 10B-1B11   |
|              | 12              | 61,34          | A<br>B | 10<br>-    | -<br>12 | -<br>25 | -<br>42 | -<br>30                        | 0,18<br>0,38 | PHS 10B-1A12<br>PHS 10B-1B12   |
|              | 13              | 66,32          | A<br>B | 10<br>-    | -<br>12 | -<br>28 | -<br>47 | -<br>30                        | 0,21<br>0,47 | PHS 10B-1A13<br>PHS 10B-1B13   |
|              | 14              | 71,34          | A<br>B | 10<br>-    | -<br>12 | -<br>32 | -<br>52 | -<br>30                        | 0,24<br>0,57 | PHS 10B-1A14<br>PHS 10B-1B14   |
|              | 15              | 76,36          | A<br>B | 10<br>-    | -<br>12 | -<br>35 | -<br>57 | -<br>30                        | 0,28<br>0,69 | PHS 10B-1A15<br>PHS 10B-1B15   |
|              | 16              | 81,37          | A<br>B | 12<br>-    | -<br>12 | -<br>40 | -<br>60 | -<br>30                        | 0,31<br>0,77 | PHS 10B-1A16<br>PHS 10B-1B16   |
|              | 17              | 86,39          | A<br>B | 12<br>-    | -<br>12 | -<br>40 | -<br>60 | -<br>30                        | 0,36<br>0,82 | PHS 10B-1A17<br>PHS 10B-1B17   |

| Pitch        | Number of teeth | Pitch diameter | Type   | Dimensions |         | Hub     |          | Plate thickness t <sub>1</sub> | Mass         | Designation                  |
|--------------|-----------------|----------------|--------|------------|---------|---------|----------|--------------------------------|--------------|------------------------------|
|              |                 |                |        | Bore stock | Bore    | H       | L        |                                |              |                              |
|              |                 |                |        | Min.       | Max.    |         |          |                                |              |                              |
| mm           | -               | mm             | -      | mm         |         |         |          | kg                             | -            |                              |
| <b>15,88</b> | 18              | 91,42          | A<br>B | 12<br>-    | -<br>14 | -<br>50 | -<br>70  | -<br>30                        | 0,41<br>1,02 | PHS 10B-1A18<br>PHS 10B-1B18 |
|              | 19              | 96,45          | A<br>B | 12<br>-    | -<br>14 | -<br>50 | -<br>70  | -<br>30                        | 0,46<br>1,06 | PHS 10B-1A19<br>PHS 10B-1B19 |
|              | 20              | 101,49         | A<br>B | 12<br>-    | -<br>14 | -<br>50 | -<br>75  | -<br>30                        | 0,52<br>1,22 | PHS 10B-1A20<br>PHS 10B-1B20 |
|              | 21              | 106,52         | A<br>B | 12<br>-    | -<br>16 | -<br>50 | -<br>75  | -<br>30                        | 0,57<br>1,26 | PHS 10B-1A21<br>PHS 10B-1B21 |
|              | 22              | 111,55         | A<br>B | 12<br>-    | -<br>16 | -<br>50 | -<br>80  | -<br>30                        | 0,62<br>1,42 | PHS 10B-1A22<br>PHS 10B-1B22 |
|              | 23              | 116,58         | A<br>B | 12<br>-    | -<br>16 | -<br>50 | -<br>80  | -<br>30                        | 0,67<br>1,47 | PHS 10B-1A23<br>PHS 10B-1B23 |
|              | 24              | 121,62         | A<br>B | 12<br>-    | -<br>16 | -<br>50 | -<br>80  | -<br>30                        | 0,74<br>1,55 | PHS 10B-1A24<br>PHS 10B-1B24 |
|              | 25              | 126,66         | A<br>B | 12<br>-    | -<br>16 | -<br>50 | -<br>80  | -<br>30                        | 0,81<br>1,62 | PHS 10B-1A25<br>PHS 10B-1B25 |
|              | 26              | 131,70         | A<br>B | 16<br>-    | -<br>20 | -<br>55 | -<br>85  | -<br>35                        | 0,88<br>2,00 | PHS 10B-1A26<br>PHS 10B-1B26 |
|              | 27              | 136,75         | A<br>B | 16<br>-    | -<br>20 | -<br>55 | -<br>85  | -<br>35                        | 0,96<br>2,05 | PHS 10B-1A27<br>PHS 10B-1B27 |
|              | 28              | 141,78         | A<br>B | 16<br>-    | -<br>20 | -<br>55 | -<br>90  | -<br>35                        | 1,02<br>2,27 | PHS 10B-1A28<br>PHS 10B-1B28 |
|              | 29              | 146,83         | A<br>B | 16<br>-    | -<br>20 | -<br>55 | -<br>90  | -<br>35                        | 1,09<br>2,35 | PHS 10B-1A29<br>PHS 10B-1B29 |
|              | 30              | 151,87         | A<br>B | 16<br>-    | -<br>20 | -<br>58 | -<br>90  | -<br>35                        | 1,20<br>2,42 | PHS 10B-1A30<br>PHS 10B-1B30 |
|              | 31              | 156,92         | A<br>B | 16<br>-    | -<br>20 | -<br>58 | -<br>95  | -<br>35                        | 1,28<br>2,66 | PHS 10B-1A31<br>PHS 10B-1B31 |
|              | 32              | 161,95         | A<br>B | 16<br>-    | -<br>20 | -<br>58 | -<br>95  | -<br>35                        | 1,38<br>2,74 | PHS 10B-1A32<br>PHS 10B-1B32 |
|              | 33              | 167,00         | A<br>B | 16<br>-    | -<br>20 | -<br>58 | -<br>95  | -<br>35                        | 1,46<br>2,80 | PHS 10B-1A33<br>PHS 10B-1B33 |
|              | 34              | 172,05         | A<br>B | 16<br>-    | -<br>20 | -<br>58 | -<br>95  | -<br>35                        | 1,55<br>2,90 | PHS 10B-1A34<br>PHS 10B-1B34 |
|              | 35              | 177,10         | A<br>B | 16<br>-    | -<br>20 | -<br>58 | -<br>95  | -<br>35                        | 1,63<br>3,03 | PHS 10B-1A35<br>PHS 10B-1B35 |
|              | 36              | 182,15         | A<br>B | 20<br>-    | -<br>20 | -<br>63 | -<br>100 | -<br>35                        | 2,00<br>3,27 | PHS 10B-1A36<br>PHS 10B-1B36 |
|              | 37              | 187,20         | A<br>B | 20<br>-    | -<br>20 | -<br>63 | -<br>100 | -<br>35                        | 1,85<br>3,39 | PHS 10B-1A37<br>PHS 10B-1B37 |
|              | 38              | 192,24         | A<br>B | 20<br>-    | -<br>20 | -<br>63 | -<br>100 | -<br>35                        | 1,93<br>3,49 | PHS 10B-1A38<br>PHS 10B-1B38 |
|              | 39              | 197,29         | A<br>B | 20<br>-    | -<br>20 | -<br>63 | -<br>100 | -<br>35                        | 2,05<br>3,58 | PHS 10B-1A39<br>PHS 10B-1B39 |
|              | 40              | 202,34         | A<br>B | 20<br>-    | -<br>20 | -<br>63 | -<br>100 | -<br>35                        | 2,15<br>3,69 | PHS 10B-1A40<br>PHS 10B-1B40 |
|              | 41              | 207,39         | A<br>B | 20<br>-    | -<br>20 | -<br>57 | -<br>100 | -<br>40                        | 2,25<br>3,78 | PHS 10B-1A41<br>PHS 10B-1B41 |
|              | 42              | 212,44         | A<br>B | 20<br>-    | -<br>20 | -<br>57 | -<br>100 | -<br>40                        | 2,38<br>3,87 | PHS 10B-1A42<br>PHS 10B-1B42 |
|              | 43              | 217,49         | A<br>B | 20<br>-    | -<br>20 | -<br>57 | -<br>100 | -<br>40                        | 2,49<br>3,96 | PHS 10B-1A43<br>PHS 10B-1B43 |
|              | 44              | 222,53         | A<br>B | 20<br>-    | -<br>20 | -<br>57 | -<br>100 | -<br>40                        | 2,61<br>4,05 | PHS 10B-1A44<br>PHS 10B-1B44 |
|              | 45              | 227,58         | A<br>B | 20<br>-    | -<br>20 | -<br>55 | -<br>100 | -<br>40                        | 2,74<br>4,18 | PHS 10B-1A45<br>PHS 10B-1B45 |
|              | 46              | 232,63         | A<br>B | 20<br>-    | -<br>20 | -<br>64 | -<br>100 | -<br>40                        | 2,87<br>4,34 | PHS 10B-1A46<br>PHS 10B-1B46 |
|              | 47              | 237,68         | A<br>B | 20<br>-    | -<br>20 | -<br>64 | -<br>100 | -<br>40                        | 2,99<br>4,50 | PHS 10B-1A47<br>PHS 10B-1B47 |

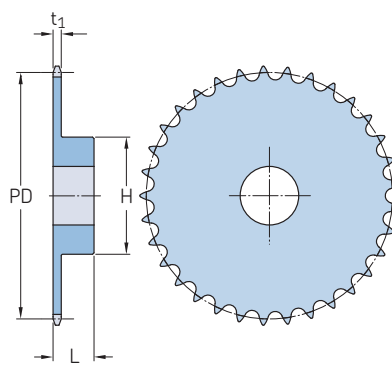
Maximum bores can accommodate standard keyways. Larger bores are available where a shallow keyway is used or no keyway is required. All Type B or C sprockets, up to and including 25 tooth, are with hardened teeth as standard. For any additional size sprockets with hardened teeth, add "H" before the number of teeth, e.g. PHS 08B-1AH8.

**Metric sprockets, simplex, pilot bore**

ISO 10B-1 · 15,88 mm pitch | ISO 12B-1 · 19,05 mm pitch



Type A



Type B

| Pitch | Number of teeth | Pitch diameter | Type | Dimensions |      | Hub    | Plate thickness | Mass           | Designation  |
|-------|-----------------|----------------|------|------------|------|--------|-----------------|----------------|--------------|
|       |                 |                |      | Bore stock | Bore |        |                 |                |              |
|       |                 | PD             |      | Min.       | Max. | H      | L               | t <sub>1</sub> |              |
| mm    | -               | mm             | -    | mm         |      |        |                 | kg             | -            |
| 15,88 | 48              | 242,73         | A    | 20         | -    | -      | -               | 3,13           | PHS 10B-1A48 |
|       |                 |                | B    | -          | 20   | 64     | 100 40          | 9,17           | 4,66         |
|       | 49              | 247,78         | A    | 20         | -    | -      | -               | 3,28           | PHS 10B-1A49 |
|       |                 |                | B    | -          | 20   | 64     | 100 40          | 9,17           | 4,82         |
|       | 50              | 252,82         | A    | 20         | -    | -      | -               | 3,43           | PHS 10B-1A50 |
|       |                 |                | B    | -          | 20   | 64     | 100 40          | 9,17           | 4,98         |
|       | 51              | 257,87         | A    | 20         | -    | -      | -               | 3,57           | PHS 10B-1A51 |
|       |                 |                | B    | -          | 20   | 64     | 100 40          | 9,17           | 5,14         |
|       | 52              | 262,92         | A    | 20         | -    | -      | -               | 3,72           | PHS 10B-1A52 |
|       |                 |                | B    | -          | 20   | 64     | 100 40          | 9,17           | 5,30         |
|       | 53              | 267,97         | A    | 20         | -    | -      | -               | 3,87           | PHS 10B-1A53 |
|       |                 |                | B    | -          | 20   | 64     | 100 40          | 9,17           | 5,46         |
|       | 54              | 273,03         | A    | 20         | -    | -      | -               | 4,02           | PHS 10B-1A54 |
|       |                 |                | B    | -          | 20   | 64     | 100 40          | 9,17           | 5,62         |
|       | 55              | 278,08         | A    | 20         | -    | -      | -               | 4,16           | PHS 10B-1A55 |
|       |                 |                | B    | -          | 20   | 64     | 100 40          | 9,17           | 5,78         |
|       | 56              | 283,13         | A    | 25         | -    | -      | -               | 4,31           | PHS 10B-1A56 |
|       |                 |                | B    | -          | 20   | 64     | 100 40          | 9,17           | 5,94         |
|       | 57              | 288,18         | A    | 25         | -    | -      | -               | 4,46           | PHS 10B-1A57 |
| B     |                 |                | -    | 20         | 55   | 100 40 | 9,17            | 6,00           | PHS 10B-1B57 |
| 58    | 293,23          | A              | 25   | -          | -    | -      | 4,64            | PHS 10B-1A58   |              |
|       |                 | B              | -    | 20         | 64   | 100 43 | 9,17            | 6,44           | PHS 10B-1B58 |
| 59    | 298,27          | A              | 25   | -          | -    | -      | 4,83            | PHS 10B-1A59   |              |
|       |                 | B              | -    | 20         | 64   | 100 43 | 9,17            | 6,88           | PHS 10B-1B59 |
| 60    | 303,32          | A              | 25   | -          | -    | -      | 5,01            | PHS 10B-1A60   |              |
|       |                 | B              | -    | 20         | 64   | 100 43 | 9,17            | 7,32           | PHS 10B-1B60 |
| 65    | 328,58          | A              | 25   | -          | -    | -      | 5,92            | PHS 10B-1A65   |              |
|       |                 | B              | -    | 20         | 64   | 100 43 | 9,17            | 7,48           | PHS 10B-1B65 |
| 70    | 353,84          | A              | 25   | -          | -    | -      | 6,83            | PHS 10B-1A70   |              |
|       |                 | B              | -    | 20         | 64   | 100 43 | 9,17            | 7,76           | PHS 10B-1B70 |
| 72    | 363,95          | A              | 25   | -          | -    | -      | 7,20            | PHS 10B-1A72   |              |
|       |                 | B              | -    | 20         | 64   | 100 43 | 9,17            | 8,20           | PHS 10B-1B72 |
| 76    | 384,16          | A              | 25   | -          | -    | -      | 7,93            | PHS 10B-1A76   |              |
|       |                 | B              | -    | 20         | 60   | 100 43 | 9,17            | 8,68           | PHS 10B-1B76 |
| 80    | 404,35          | A              | 25   | -          | -    | -      | 8,89            | PHS 10B-1A80   |              |
|       |                 | B              | -    | 20         | 70   | 100 43 | 9,17            | 10,20          | PHS 10B-1B80 |
| 84    | 424,57          | A              | 30   | -          | -    | -      | 9,85            | PHS 10B-1A84   |              |
|       |                 | B              | -    | 20         | 70   | 100 50 | 9,17            | 11,72          | PHS 10B-1B84 |
| 85    | 429,62          | A              | 30   | -          | -    | -      | 10,09           | PHS 10B-1A85   |              |
|       |                 | B              | -    | 20         | 70   | 100 50 | 9,17            | 12,12          | PHS 10B-1B85 |
| 92    | 464,98          | A              | 30   | -          | -    | -      | 11,76           | PHS 10B-1A92   |              |
|       |                 | B              | -    | 20         | 70   | 100 50 | 9,17            | 12,91          | PHS 10B-1B92 |
| 95    | 480,14          | A              | 30   | -          | -    | -      | 12,48           | PHS 10B-1A95   |              |
|       |                 | B              | -    | 20         | 60   | 100 50 | 9,17            | 13,24          | PHS 10B-1B95 |

| Pitch | Number of teeth | Pitch diameter | Type  | Dimensions |      | Hub   | Plate thickness | Mass           | Designation   |               |
|-------|-----------------|----------------|-------|------------|------|-------|-----------------|----------------|---------------|---------------|
|       |                 |                |       | Bore stock | Bore |       |                 |                |               |               |
|       |                 | PD             |       | Min.       | Max. | H     | L               | t <sub>1</sub> |               |               |
| mm    | -               | mm             | -     | mm         |      |       |                 | kg             | -             |               |
| 15,88 | 96              | 485,19         | A     | 30         | -    | -     | -               | 12,72          | PHS 10B-1A96  |               |
|       |                 |                | B     | -          | 20   | 70    | 100 50          | 9,17           | 14,00         | PHS 10B-1B96  |
|       | 112             | 566,03         | A     | 30         | -    | -     | -               | 16,55          | PHS 10B-1A112 |               |
|       |                 |                | B     | -          | 20   | 70    | 100 50          | 9,17           | 15,55         | PHS 10B-1B112 |
|       | 114             | 576,13         | A     | 30         | -    | -     | -               | 17,03          | PHS 10B-1A114 |               |
|       |                 |                | B     | -          | 20   | 70    | 100 50          | 9,17           | 16,25         | PHS 10B-1B114 |
|       | 120             | 606,45         | A     | 30         | -    | -     | -               | 18,50          | PHS 10B-1A120 |               |
|       |                 |                | B     | -          | 20   | 70    | 100 50          | 9,17           | 18,25         | PHS 10B-1B120 |
|       | 19,05           | 8              | 49,78 | A          | 12   | -     | -               | -              | 0,13          | PHS 12B-1A8   |
|       |                 |                |       | B          | -    | 12    | 16              | 31 30          | 11,10         | 0,22          |
|       |                 | 9              | 55,70 | A          | 12   | -     | -               | -              | 0,16          | PHS 12B-1A9   |
|       |                 |                |       | B          | -    | 12    | 20              | 37 30          | 11,10         | 0,31          |
|       |                 | 10             | 61,64 | A          | 12   | -     | -               | -              | 0,21          | PHS 12B-1A10  |
|       |                 |                |       | B          | -    | 12    | 23              | 42 30          | 11,10         | 0,39          |
|       |                 | 11             | 67,61 | A          | 14   | -     | -               | -              | 0,25          | PHS 12B-1A11  |
|       |                 |                |       | B          | -    | 14    | 28              | 46 35          | 11,10         | 0,54          |
|       |                 | 12             | 73,61 | A          | 14   | -     | -               | -              | 0,30          | PHS 12B-1A12  |
|       |                 |                |       | B          | -    | 14    | 32              | 52 35          | 11,10         | 0,68          |
|       |                 | 13             | 79,59 | A          | 14   | -     | -               | -              | 0,37          | PHS 12B-1A13  |
| B     |                 |                |       | -          | 14   | 36    | 58 35           | 11,10          | 0,84          | PHS 12B-1B13  |
| 14    |                 | 85,61          | A     | 14         | -    | -     | -               | 0,43           | PHS 12B-1A14  |               |
|       |                 |                | B     | -          | 14   | 40    | 64 35           | 11,10          | 1,01          | PHS 12B-1B14  |
| 15    |                 | 91,63          | A     | 14         | -    | -     | -               | 0,50           | PHS 12B-1A15  |               |
|       |                 |                | B     | -          | 14   | 44    | 70 35           | 11,10          | 1,19          | PHS 12B-1B15  |
| 16    |                 | 97,65          | A     | 14         | -    | -     | -               | 0,56           | PHS 12B-1A16  |               |
|       |                 |                | B     | -          | 16   | 48    | 75 35           | 11,10          | 1,36          | PHS 12B-1B16  |
| 17    |                 | 103,67         | A     | 14         | -    | -     | -               | 0,65           | PHS 12B-1A17  |               |
|       | B               |                | -     | 16         | 55   | 80 35 | 11,10           | 1,56           | PHS 12B-1B17  |               |
| 18    | 109,71          | A              | 14    | -          | -    | -     | 0,73            | PHS 12B-1A18   |               |               |
|       |                 | B              | -     | 16         | 55   | 80 35 | 11,10           | 1,73           | PHS 12B-1B18  |               |
| 19    | 115,75          | A              | 14    | -          | -    | -     | 0,82            | PHS 12B-1A19   |               |               |
|       |                 | B              | -     | 16         | 55   | 80 35 | 11,10           | 1,73           | PHS 12B-1B19  |               |
| 20    | 121,78          | A              | 14    | -          | -    | -     | 0,90            | PHS 12B-1A20   |               |               |
|       |                 | B              | -     | 16         | 55   | 80 35 | 11,10           | 1,83           | PHS 12B-1B20  |               |
| 21    | 127,82          | A              | 16    | -          | -    | -     | 0,99            | PHS 12B-1A21   |               |               |
|       |                 | B              | -     | 20         | 55   | 90 40 | 11,10           | 2,37           | PHS 12B-1B21  |               |
| 22    | 133,86          | A              | 16    | -          | -    | -     | 1,08            | PHS 12B-1A22   |               |               |
|       |                 | B              | -     | 20         | 55   | 90 40 | 11,10           | 2,48           | PHS 12B-1B22  |               |
| 23    | 139,90          | A              | 16    | -          | -    | -     | 1,21            | PHS 12B-1A23   |               |               |
|       |                 | B              | -     | 20         | 55   | 90 40 | 11,10           | 2,58           | PHS 12B-1B23  |               |
| 24    | 145,94          | A              | 16    | -          | -    | -     | 1,33            | PHS 12B-1A24   |               |               |
|       |                 | B              | -     | 20         | 55   | 90 40 | 11,10           | 2,70           | PHS 12B-1B24  |               |
| 25    | 152,00          | A              | 16    | -          | -    | -     | 1,43            | PHS 12B-1A25   |               |               |
|       |                 | B              | -     | 20         | 55   | 90 40 | 11,10           | 2,81           | PHS 12B-1B25  |               |

Maximum bores can accommodate standard keyways. Larger bores are available where a shallow keyway is used or no keyway is required. All Type B or C sprockets, up to and including 25 tooth, are with hardened teeth as standard. For any additional size sprockets with hardened teeth, add "H" before the number of teeth, e.g. PHS 08B-1AH8.

# Metric sprockets, simplex, pilot bore

ISO 12B-1 · 19,05 mm pitch | ISO 16B-1 · 25,40 mm pitch

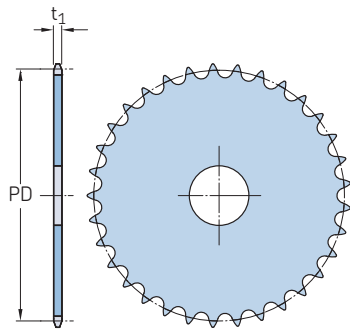
| Pitch | Number of teeth | Pitch diameter | Type   | Dimensions |      | Hub  |    | Plate thickness | Mass           | Designation                  |
|-------|-----------------|----------------|--------|------------|------|------|----|-----------------|----------------|------------------------------|
|       |                 |                |        | Bore stock | Bore | H    | L  |                 |                |                              |
|       |                 | PD             |        |            | Min. | Max. |    |                 |                |                              |
| mm    | -               | mm             | -      | mm         |      |      |    | kg              | -              |                              |
| 19,05 | 26              | 158,04         | A<br>B | 16         | -    | -    | -  | -               | 1,57<br>3,11   | PHS 12B-1A26<br>PHS 12B-1B26 |
|       | 27              | 164,09         | A<br>B | 16         | -    | 20   | 58 | 95 40           | 1,69<br>3,24   | PHS 12B-1A27<br>PHS 12B-1B27 |
|       | 28              | 170,13         | A<br>B | 16         | -    | 20   | 58 | 95 40           | 1,83<br>3,37   | PHS 12B-1A28<br>PHS 12B-1B28 |
|       | 29              | 176,19         | A<br>B | 16         | -    | 20   | 60 | 95 40           | 1,97<br>3,49   | PHS 12B-1A29<br>PHS 12B-1B29 |
|       | 30              | 182,25         | A<br>B | 16         | -    | 20   | 60 | 95 40           | 2,11<br>3,66   | PHS 12B-1A30<br>PHS 12B-1B30 |
|       | 31              | 188,31         | A<br>B | 20         | -    | 20   | 64 | 95 40           | 2,26<br>3,96   | PHS 12B-1A31<br>PHS 12B-1B31 |
|       | 32              | 194,36         | A<br>B | 20         | -    | 20   | 64 | 95 40           | 2,37<br>4,14   | PHS 12B-1A32<br>PHS 12B-1B32 |
|       | 33              | 200,40         | A<br>B | 20         | -    | 20   | 64 | 95 40           | 2,58<br>4,28   | PHS 12B-1A33<br>PHS 12B-1B33 |
|       | 34              | 206,46         | A<br>B | 20         | -    | 20   | 64 | 95 40           | 2,72<br>4,45   | PHS 12B-1A34<br>PHS 12B-1B34 |
|       | 35              | 212,52         | A<br>B | 20         | -    | 20   | 64 | 95 40           | 2,90<br>4,62   | PHS 12B-1A35<br>PHS 12B-1B35 |
|       | 36              | 218,58         | A<br>B | 20         | -    | 20   | 70 | 100 40          | 3,04<br>4,79   | PHS 12B-1A36<br>PHS 12B-1B36 |
|       | 37              | 224,64         | A<br>B | 20         | -    | 20   | 70 | 100 40          | 3,27<br>4,97   | PHS 12B-1A37<br>PHS 12B-1B37 |
|       | 38              | 230,69         | A<br>B | 20         | -    | 20   | 70 | 100 40          | 3,42<br>5,15   | PHS 12B-1A38<br>PHS 12B-1B38 |
|       | 39              | 236,75         | A<br>B | 20         | -    | 20   | 70 | 100 40          | 3,61<br>5,34   | PHS 12B-1A39<br>PHS 12B-1B39 |
|       | 40              | 242,81         | A<br>B | 20         | -    | 20   | 70 | 100 40          | 3,80<br>5,54   | PHS 12B-1A40<br>PHS 12B-1B40 |
|       | 41              | 248,87         | A<br>B | 25         | -    | 20   | 70 | 110 56          | 3,97<br>5,78   | PHS 12B-1A41<br>PHS 12B-1B41 |
|       | 42              | 254,93         | A<br>B | 25         | -    | 20   | 70 | 110 56          | 4,18<br>6,02   | PHS 12B-1A42<br>PHS 12B-1B42 |
|       | 43              | 260,98         | A<br>B | 25         | -    | 20   | 70 | 110 56          | 4,43<br>6,26   | PHS 12B-1A43<br>PHS 12B-1B43 |
|       | 44              | 267,04         | A<br>B | 25         | -    | 20   | 70 | 110 56          | 4,60<br>6,50   | PHS 12B-1A44<br>PHS 12B-1B44 |
|       | 45              | 273,10         | A<br>B | 25         | -    | 20   | 60 | 110 56          | 4,77<br>6,30   | PHS 12B-1A45<br>PHS 12B-1B45 |
|       | 46              | 279,16         | A<br>B | 25         | -    | 20   | 70 | 110 56          | 5,07<br>6,98   | PHS 12B-1A46<br>PHS 12B-1B46 |
|       | 47              | 285,21         | A<br>B | 25         | -    | 20   | 70 | 110 56          | 5,30<br>7,22   | PHS 12B-1A47<br>PHS 12B-1B47 |
|       | 48              | 291,27         | A<br>B | 25         | -    | 20   | 70 | 110 56          | 5,55<br>7,46   | PHS 12B-1A48<br>PHS 12B-1B48 |
|       | 49              | 297,33         | A<br>B | 25         | -    | 20   | 70 | 110 56          | 5,81<br>7,70   | PHS 12B-1A49<br>PHS 12B-1B49 |
|       | 50              | 303,39         | A<br>B | 25         | -    | 20   | 70 | 110 56          | 6,06<br>7,94   | PHS 12B-1A50<br>PHS 12B-1B50 |
|       | 54              | 327,64         | A<br>B | 25         | -    | 20   | 70 | 110 56          | 7,08<br>8,90   | PHS 12B-1A54<br>PHS 12B-1B54 |
|       | 57              | 345,81         | A<br>B | 25         | -    | 20   | 60 | 110 56          | 7,84<br>7,75   | PHS 12B-1A57<br>PHS 12B-1B57 |
|       | 60              | 363,99         | A<br>B | 25         | -    | 20   | 70 | 110 56          | 8,82<br>10,34  | PHS 12B-1A60<br>PHS 12B-1B60 |
|       | 65              | 394,29         | A<br>B | 25         | -    | 20   | 70 | 110 56          | 10,46<br>11,64 | PHS 12B-1A65<br>PHS 12B-1B65 |
|       | 68              | 412,49         | A<br>B | 30         | -    | 20   | 70 | 110 56          | 11,44<br>12,20 | PHS 12B-1A68<br>PHS 12B-1B68 |

| Pitch | Number of teeth | Pitch diameter | Type   | Dimensions |      | Hub  |        | Plate thickness | Mass                         | Designation                    |                              |
|-------|-----------------|----------------|--------|------------|------|------|--------|-----------------|------------------------------|--------------------------------|------------------------------|
|       |                 |                |        | Bore stock | Bore | H    | L      |                 |                              |                                |                              |
|       |                 | PD             |        |            | Min. | Max. |        |                 |                              |                                |                              |
| mm    | -               | mm             | -      | mm         |      |      |        | kg              | -                            |                                |                              |
| 19,05 | 70              | 424,60         | A<br>B | 30         | -    | -    | -      | -               | 12,10<br>12,74               | PHS 12B-1A70<br>PHS 12B-1B70   |                              |
|       | 72              | 436,74         | A<br>B | 30         | -    | 20   | 80     | 110 56          | 12,75<br>13,22               | PHS 12B-1A72<br>PHS 12B-1B72   |                              |
|       | 76              | 460,99         | A<br>B | 30         | -    | 20   | 60     | 110 56          | 14,06<br>12,50               | PHS 12B-1A76<br>PHS 12B-1B76   |                              |
|       | 80              | 485,22         | A<br>B | 30         | -    | 20   | 80     | 110 56          | 15,73<br>15,14               | PHS 12B-1A80<br>PHS 12B-1B80   |                              |
|       | 84              | 509,48         | A<br>B | 30         | -    | 20   | 80     | 110 56          | 17,40<br>16,10               | PHS 12B-1A84<br>PHS 12B-1B84   |                              |
|       | 90              | 545,85         | A<br>B | 30         | -    | 20   | 80     | 110 56          | 19,91<br>17,23               | PHS 12B-1A90<br>PHS 12B-1B90   |                              |
|       | 92              | 557,98         | A<br>B | 30         | -    | 20   | 80     | 110 56          | 20,75<br>18,19               | PHS 12B-1A92<br>PHS 12B-1B92   |                              |
|       | 95              | 576,17         | A<br>B | 30         | -    | 20   | 92     | 110 56          | 22,00<br>18,74               | PHS 12B-1A95<br>PHS 12B-1B95   |                              |
|       | 96              | 582,23         | A<br>B | 30         | -    | 20   | 92     | 110 56          | 22,42<br>18,98               | PHS 12B-1A96<br>PHS 12B-1B96   |                              |
|       | 114             | 691,36         | A<br>B | 30         | -    | 20   | 92     | 110 56          | 29,94<br>23,30               | PHS 12B-1A114<br>PHS 12B-1B114 |                              |
|       | 25,40           | 8              | 66,37  | A<br>B     | 12   | -    | 16     | 22              | 42 35                        | 0,34<br>0,50                   | PHS 16B-1A8<br>PHS 16B-1B8   |
|       |                 | 9              | 74,27  | A<br>B     | 12   | -    | 16     | 28              | 50 35                        | 0,44<br>0,68                   | PHS 16B-1A9<br>PHS 16B-1B9   |
|       |                 | 10             | 82,19  | A<br>B     | 12   | -    | 16     | 34              | 55 35                        | 0,96<br>0,87                   | PHS 16B-1A10<br>PHS 16B-1B10 |
|       |                 | 11             | 90,14  | A<br>B     | 16   | -    | 16     | 38              | 61 40                        | 0,68<br>1,18                   | PHS 16B-1A11<br>PHS 16B-1B11 |
|       |                 | 12             | 98,14  | A<br>B     | 16   | -    | 16     | 44              | 69 40                        | 0,81<br>1,48                   | PHS 16B-1A12<br>PHS 16B-1B12 |
|       |                 | 13             | 106,12 | A<br>B     | 16   | -    | 16     | 48              | 78 40                        | 1,00<br>1,82                   | PHS 16B-1A13<br>PHS 16B-1B13 |
|       |                 | 14             | 114,15 | A<br>B     | 16   | -    | 16     | 53              | 84 40                        | 1,13<br>2,14                   | PHS 16B-1A14<br>PHS 16B-1B14 |
|       |                 | 15             | 122,17 | A<br>B     | 16   | -    | 16     | 58              | 92 40                        | 1,30<br>2,52                   | PHS 16B-1A15<br>PHS 16B-1B15 |
|       |                 | 16             | 130,20 | A<br>B     | 20   | -    | 20     | 64              | 100 45                       | 1,49<br>3,19                   | PHS 16B-1A16<br>PHS 16B-1B16 |
|       |                 | 17             | 138,22 | A<br>B     | 20   | -    | 20     | 70              | 100 45                       | 1,68<br>3,41                   | PHS 16B-1A17<br>PHS 16B-1B17 |
|       | 18              | 146,28         | A<br>B | 20         | -    | 20   | 70     | 100 45          | 1,91<br>3,62                 | PHS 16B-1A18<br>PHS 16B-1B18   |                              |
|       | 19              | 154,33         | A<br>B | 20         | -    | 20   | 70     | 100 45          | 2,12<br>3,86                 | PHS 16B-1A19<br>PHS 16B-1B19   |                              |
|       | 20              | 162,38         | A<br>B | 20         | -    | 20   | 70     | 100 45          | 2,39<br>4,10                 | PHS 16B-1A20<br>PHS 16B-1B20   |                              |
|       | 21              | 170,43         | A<br>B | 20         | -    | 20   | 70     | 110 50          | 2,64<br>5,09                 | PHS 16B-1A21<br>PHS 16B-1B21   |                              |
|       | 22              | 178,48         | A<br>B | 20         | -    | 20   | 70     | 110 50          | 2,91<br>5,35                 | PHS 16B-1A22<br>PHS 16B-1B22   |                              |
|       | 23              | 186,53         | A<br>B | 20         | -    | 20   | 70     | 110 50          | 3,16<br>5,66                 | PHS 16B-1A23<br>PHS 16B-1B23   |                              |
|       | 24              | 194,59         | A<br>B | 20         | -    | 20   | 70     | 110 50          | 3,43<br>5,94                 | PHS 16B-1A24<br>PHS 16B-1B24   |                              |
| 25    | 202,66          | A<br>B         | 20     | -          | 20   | 70   | 110 50 | 3,72<br>6,25    | PHS 16B-1A25<br>PHS 16B-1B25 |                                |                              |
| 26    | 210,72          | A<br>B         | 20     | -          | 20   | 76   | 120 50 | 4,08<br>7,07    | PHS 16B-1A26<br>PHS 16B-1B26 |                                |                              |
| 27    | 218,79          | A<br>B         | 20     | -          | 20   | 76   | 120 50 | 4,40<br>7,39    | PHS 16B-1A27<br>PHS 16B-1B27 |                                |                              |

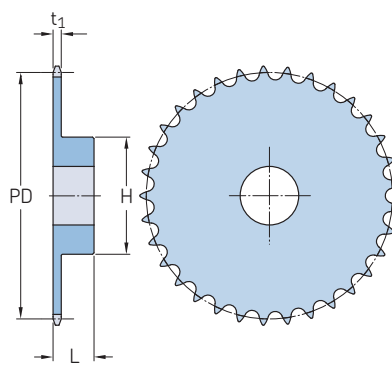
Maximum bores can accommodate standard keyways. Larger bores are available where a shallow keyway is used or no keyway is required. All Type B or C sprockets, up to and including 25 tooth, are with hardened teeth as standard. For any additional size sprockets with hardened teeth, add "H" before the number of teeth, e.g. PHS 08B-1AH8.

**Metric sprockets, simplex, pilot bore**

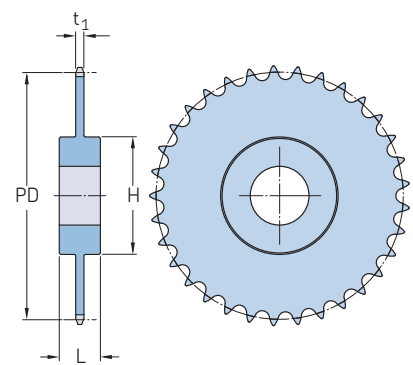
ISO 16B-1 · 25,40 mm pitch | ISO 20B-1 · 31,75 mm pitch



Type A



Type B



Type C

| Pitch | Number of teeth | Pitch diameter | Type | Dimensions |      | Hub    | Plate thickness | Mass         | Designation  |
|-------|-----------------|----------------|------|------------|------|--------|-----------------|--------------|--------------|
|       |                 |                |      | Bore stock | Bore |        |                 |              |              |
| mm    | -               | mm             | -    | mm         | mm   | H L    | t <sub>1</sub>  | kg           | -            |
| 25,40 | 28              | 226,85         | A    | 20         | -    | -      | -               | 4,79         | PHS 16B-1A28 |
|       |                 |                | B    | -          | 20   | 76     | 120 50          | 16,18        | 7,72         |
|       | 29              | 234,92         | A    | 20         | -    | -      | -               | 5,14         | PHS 16B-1A29 |
|       |                 |                | B    | -          | 20   | 76     | 120 50          | 16,18        | 8,11         |
|       | 30              | 243,00         | A    | 20         | -    | -      | -               | 5,53         | PHS 16B-1A30 |
|       |                 |                | B    | -          | 20   | 76     | 120 50          | 16,18        | 8,47         |
|       | 31              | 251,08         | A    | 25         | -    | -      | -               | 5,89         | PHS 16B-1A31 |
|       |                 |                | B    | -          | 25   | 76     | 120 50          | 16,18        | 8,78         |
|       | 32              | 259,13         | A    | 25         | -    | -      | -               | 6,33         | PHS 16B-1A32 |
|       |                 |                | B    | -          | 25   | 76     | 120 50          | 16,18        | 9,19         |
|       | 33              | 267,21         | A    | 25         | -    | -      | -               | 6,70         | PHS 16B-1A33 |
|       |                 |                | B    | -          | 25   | 76     | 120 50          | 16,18        | 9,63         |
|       | 34              | 275,28         | A    | 25         | -    | -      | -               | 7,00         | PHS 16B-1A34 |
|       |                 |                | B    | -          | 25   | 76     | 120 50          | 16,18        | 10,02        |
|       | 35              | 283,36         | A    | 25         | -    | -      | -               | 7,60         | PHS 16B-1A35 |
|       |                 |                | B    | -          | 25   | 76     | 120 50          | 16,18        | 10,50        |
|       | 36              | 291,44         | A    | 25         | -    | -      | -               | 8,08         | PHS 16B-1A36 |
|       |                 |                | B    | -          | 25   | 76     | 120 50          | 16,18        | 10,90        |
|       | 37              | 299,51         | A    | 25         | -    | -      | -               | 8,50         | PHS 16B-1A37 |
|       |                 |                | B    | -          | 25   | 76     | 120 50          | 16,18        | 11,30        |
| 38    | 307,59          | A              | 25   | -          | -    | -      | 8,98            | PHS 16B-1A38 |              |
|       |                 | B              | -    | 25         | 76   | 120 50 | 16,18           | 11,86        | PHS 16B-1B38 |
| 39    | 315,67          | A              | 25   | -          | -    | -      | 9,34            | PHS 16B-1A39 |              |
|       |                 | B              | -    | 25         | 76   | 120 50 | 16,18           | 12,32        | PHS 16B-1B39 |
| 40    | 323,75          | A              | 25   | -          | -    | -      | 9,94            | PHS 16B-1A40 |              |
|       |                 | B              | -    | 25         | 76   | 125 50 | 16,18           | 12,86        | PHS 16B-1B40 |
| 41    | 331,82          | A              | 25   | -          | -    | -      | 10,50           | PHS 16B-1A41 |              |
|       |                 | B              | -    | 25         | 80   | 125 68 | 16,18           | 13,40        | PHS 16B-1B41 |
| 42    | 339,90          | A              | 25   | -          | -    | -      | 11,02           | PHS 16B-1A42 |              |
|       |                 | B              | -    | 25         | 80   | 125 68 | 16,18           | 13,94        | PHS 16B-1B42 |
| 43    | 347,98          | A              | 25   | -          | -    | -      | 11,64           | PHS 16B-1A43 |              |
|       |                 | B              | -    | 25         | 80   | 125 68 | 16,18           | 14,48        | PHS 16B-1B43 |
| 44    | 356,06          | A              | 25   | -          | -    | -      | 12,08           | PHS 16B-1A44 |              |
|       |                 | B              | -    | 25         | 80   | 125 68 | 16,18           | 15,02        | PHS 16B-1B44 |
| 45    | 364,13          | A              | 25   | -          | -    | -      | 12,60           | PHS 16B-1A45 |              |
|       |                 | B              | -    | 25         | 65   | 125 68 | 16,18           | 13,00        | PHS 16B-1B45 |
| 46    | 372,21          | A              | 25   | -          | -    | -      | 13,20           | PHS 16B-1A46 |              |
|       |                 | B              | -    | 25         | 80   | 125 68 | 16,18           | 16,10        | PHS 16B-1B46 |
| 47    | 380,29          | A              | 25   | -          | -    | -      | 13,94           | PHS 16B-1A47 |              |
|       |                 | B              | -    | 25         | 80   | 125 68 | 16,18           | 16,64        | PHS 16B-1B47 |
| 48    | 388,36          | A              | 25   | -          | -    | -      | 14,54           | PHS 16B-1A48 |              |
|       |                 | B              | -    | 25         | 80   | 125 68 | 16,18           | 17,18        | PHS 16B-1B48 |
| 50    | 404,52          | A              | 25   | -          | -    | -      | 15,86           | PHS 16B-1A50 |              |
|       |                 | B              | -    | 25         | 80   | 125 68 | 16,18           | 18,26        | PHS 16B-1B50 |

| Pitch | Number of teeth | Pitch diameter | Type | Dimensions |      | Hub    | Plate thickness | Mass          | Designation   |
|-------|-----------------|----------------|------|------------|------|--------|-----------------|---------------|---------------|
|       |                 |                |      | Bore stock | Bore |        |                 |               |               |
| mm    | -               | mm             | -    | mm         | mm   | H L    | t <sub>1</sub>  | kg            | -             |
| 25,40 | 54              | 436,85         | A    | 30         | -    | -      | -               | 18,51         | PHS 16B-1A54  |
|       |                 |                | B    | -          | 25   | 85     | 125 68          | 16,18         | 20,42         |
|       | 57              | 461,07         | A    | 30         | -    | -      | -               | 20,50         | PHS 16B-1A57  |
|       |                 |                | B    | -          | 25   | 65     | 125 68          | 16,18         | 15,50         |
|       | 60              | 485,32         | A    | 30         | -    | -      | -               | 22,95         | PHS 16B-1A60  |
|       |                 |                | B    | -          | 25   | 85     | 133 68          | 16,18         | 23,66         |
|       | 65              | 525,73         | A    | 30         | -    | -      | -               | 27,03         | PHS 16B-1A65  |
|       |                 |                | B    | -          | 25   | 85     | 140 68          | 16,18         | 26,36         |
|       | 70              | 566,14         | A    | 30         | -    | -      | -               | 31,11         | PHS 16B-1A70  |
|       |                 |                | C    | -          | 25   | 108    | 140 68          | 16,18         | 29,06         |
|       | 72              | 582,32         | A    | 30         | -    | -      | -               | 32,74         | PHS 16B-1A72  |
|       |                 |                | C    | -          | 25   | 108    | 140 68          | 16,18         | 30,14         |
|       | 76              | 614,65         | A    | 30         | -    | -      | -               | 36,00         | PHS 16B-1A76  |
|       |                 |                | C    | -          | 25   | 75     | 140 68          | 16,18         | 28,50         |
|       | 80              | 646,96         | A    | 30         | -    | -      | -               | 40,42         | PHS 16B-1A80  |
|       |                 |                | C    | -          | 25   | 108    | 140 68          | 16,18         | 34,46         |
|       | 84              | 679,30         | A    | 30         | -    | -      | -               | 44,84         | PHS 16B-1A84  |
|       |                 |                | C    | -          | 25   | 108    | 140 78          | 16,18         | 36,62         |
|       | 90              | 727,81         | A    | 30         | -    | -      | -               | 51,47         | PHS 16B-1A90  |
|       |                 |                | C    | -          | 25   | 108    | 140 78          | 16,18         | 39,86         |
| 95    | 768,22          | A              | 30   | -          | -    | -      | 57,00           | PHS 16B-1A95  |               |
|       |                 | C              | -    | 25         | 85   | 140 78 | 16,18           | 42,56         | PHS 16B-1C95  |
| 96    | 766,31          | A              | 30   | -          | -    | -      | 58,11           | PHS 16B-1A96  |               |
|       |                 | C              | -    | 25         | 108  | 140 78 | 16,18           | 43,10         | PHS 16B-1C96  |
| 114   | 921,81          | A              | 30   | -          | -    | -      | 78,00           | PHS 16B-1A114 |               |
|       |                 | C              | -    | 25         | 108  | 140 78 | 16,18           | 52,82         | PHS 16B-1C114 |
| 31,75 | 8               | 82,97          | A    | 16         | -    | -      | -               | 0,63          | PHS 20B-1A8   |
|       |                 |                | B    | -          | 20   | 57     | 53 40           | 18,59         | 1,04          |
| 9     | 92,83           | A              | 16   | -          | -    | -      | 0,95            | PHS 20B-1A9   |               |
|       |                 | B              | -    | 20         | 57   | 63 40  | 18,59           | 1,45          | PHS 20B-1B9   |
| 10    | 102,75          | A              | 16   | -          | -    | -      | 1,27            | PHS 20B-1A10  |               |
|       |                 | B              | -    | 20         | 60   | 70 40  | 18,59           | 1,86          | PHS 20B-1B10  |
| 11    | 112,70          | A              | 16   | -          | -    | -      | 1,59            | PHS 20B-1A11  |               |
|       |                 | B              | -    | 20         | 70   | 77 45  | 18,59           | 2,40          | PHS 20B-1B11  |
| 12    | 122,67          | A              | 20   | -          | -    | -      | 1,91            | PHS 20B-1A12  |               |
|       |                 | B              | -    | 20         | 76   | 88 45  | 18,59           | 2,95          | PHS 20B-1B12  |
| 13    | 132,67          | A              | 20   | -          | -    | -      | 2,18            | PHS 20B-1A13  |               |
|       |                 | B              | -    | 20         | 76   | 98 45  | 18,59           | 3,00          | PHS 20B-1B13  |
| 14    | 142,68          | A              | 20   | -          | -    | -      | 2,49            | PHS 20B-1A14  |               |
|       |                 | B              | -    | 20         | 76   | 108 45 | 18,59           | 3,40          | PHS 20B-1B14  |
| 15    | 152,71          | A              | 20   | -          | -    | -      | 2,68            | PHS 20B-1A15  |               |
|       |                 | B              | -    | 20         | 76   | 118 50 | 18,59           | 4,31          | PHS 20B-1B15  |
| 16    | 162,75          | A              | 20   | -          | -    | -      | 3,08            | PHS 20B-1A16  |               |
|       |                 | B              | -    | 20         | 76   | 120 50 | 18,59           | 4,63          | PHS 20B-1B16  |

Maximum bores can accommodate standard keyways. Larger bores are available where a shallow keyway is used or no keyway is required. All Type B or C sprockets, up to and including 25 tooth, are with hardened teeth as standard. For any additional size sprockets with hardened teeth, add "H" before the number of teeth, e.g. PHS 08B-1AH8.

Metric sprockets, simplex, pilot bore

ISO 20B-1 · 31,75 mm pitch | ISO 24B-1 · 38,10 mm pitch

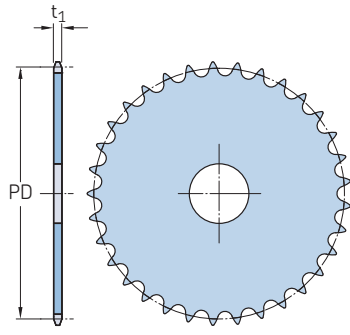
| Pitch | Number of teeth | Pitch diameter | Type   | Dimensions |      | Hub |   | Plate thickness t <sub>1</sub> | Mass           | Designation                   |
|-------|-----------------|----------------|--------|------------|------|-----|---|--------------------------------|----------------|-------------------------------|
|       |                 |                |        | Bore stock | Bore | H   | L |                                |                |                               |
|       |                 |                |        | Min.       | Max. |     |   |                                |                |                               |
| mm    | -               | mm             | -      | mm         |      |     |   | kg                             | -              |                               |
| 31,75 | 17              | 172,79         | A<br>B | 20         | -    | -   | - | -                              | 3,54<br>4,99   | PHS 20B-1A17<br>PHS 20B-1BH17 |
|       | 18              | 182,84         | A<br>B | 20         | -    | -   | - | -                              | 3,81<br>5,44   | PHS 20B-1A18<br>PHS 20B-1BH18 |
|       | 19              | 192,90         | A<br>B | 20         | -    | -   | - | -                              | 4,31<br>5,90   | PHS 20B-1A19<br>PHS 20B-1BH19 |
|       | 20              | 202,96         | A<br>B | 20         | -    | -   | - | -                              | 4,58<br>6,35   | PHS 20B-1A20<br>PHS 20B-1BH20 |
|       | 21              | 213,03         | A<br>B | 25         | -    | -   | - | -                              | 5,17<br>7,03   | PHS 20B-1A21<br>PHS 20B-1BH21 |
|       | 22              | 223,10         | A<br>B | 25         | -    | -   | - | -                              | 5,72<br>7,71   | PHS 20B-1A22<br>PHS 20B-1BH22 |
|       | 23              | 233,17         | A<br>B | 25         | -    | -   | - | -                              | 5,99<br>8,16   | PHS 20B-1A23<br>PHS 20B-1BH23 |
|       | 24              | 243,25         | A<br>B | 25         | -    | -   | - | -                              | 6,62<br>8,62   | PHS 20B-1A24<br>PHS 20B-1BH24 |
|       | 25              | 253,32         | A<br>B | 25         | -    | -   | - | -                              | 6,94<br>9,07   | PHS 20B-1A25<br>PHS 20B-1BH25 |
|       | 26              | 263,41         | A<br>B | 25         | -    | -   | - | -                              | 7,62<br>9,53   | PHS 20B-1A26<br>PHS 20B-1B26  |
|       | 27              | 273,49         | A<br>B | 25         | -    | -   | - | -                              | 8,35<br>10,43  | PHS 20B-1A27<br>PHS 20B-1B27  |
|       | 28              | 283,57         | A<br>B | 25         | -    | -   | - | -                              | 8,85<br>11,34  | PHS 20B-1A28<br>PHS 20B-1B28  |
|       | 29              | 293,66         | A<br>B | 25         | -    | -   | - | -                              | 9,43<br>11,76  | PHS 20B-1A29<br>PHS 20B-1B29  |
|       | 30              | 303,75         | A<br>B | 25         | -    | -   | - | -                              | 9,98<br>12,02  | PHS 20B-1A30<br>PHS 20B-1B30  |
|       | 31              | 313,83         | A<br>B | 25         | -    | -   | - | -                              | 10,73<br>12,77 | PHS 20B-1A31<br>PHS 20B-1B31  |
|       | 32              | 323,92         | A<br>B | 25         | -    | -   | - | -                              | 11,49<br>13,52 | PHS 20B-1A32<br>PHS 20B-1B32  |
|       | 33              | 334,01         | A<br>B | 25         | -    | -   | - | -                              | 12,24<br>14,59 | PHS 20B-1A33<br>PHS 20B-1B33  |
|       | 34              | 344,10         | A<br>B | 25         | -    | -   | - | -                              | 13,00<br>15,66 | PHS 20B-1A34<br>PHS 20B-1B34  |
|       | 35              | 354,20         | A<br>B | 25         | -    | -   | - | -                              | 13,75<br>16,74 | PHS 20B-1A35<br>PHS 20B-1B35  |
|       | 36              | 364,29         | A<br>B | 25         | -    | -   | - | -                              | 14,50<br>17,51 | PHS 20B-1A36<br>PHS 20B-1B36  |
|       | 37              | 374,38         | A<br>B | 25         | -    | -   | - | -                              | 15,25<br>18,17 | PHS 20B-1A37<br>PHS 20B-1B37  |
|       | 38              | 384,48         | A<br>B | 25         | -    | -   | - | -                              | 16,01<br>18,82 | PHS 20B-1A38<br>PHS 20B-1B38  |
|       | 39              | 394,57         | A<br>B | 25         | -    | -   | - | -                              | 16,76<br>19,78 | PHS 20B-1A39<br>PHS 20B-1B39  |
|       | 40              | 404,67         | A<br>B | 25         | -    | -   | - | -                              | 17,52<br>21,27 | PHS 20B-1A40<br>PHS 20B-1B40  |
|       | 41              | 414,77         | A<br>B | 30         | -    | -   | - | -                              | 18,27<br>22,07 | PHS 20B-1A41<br>PHS 20B-1B41  |
|       | 42              | 424,88         | A<br>B | 30         | -    | -   | - | -                              | 19,03<br>22,86 | PHS 20B-1A42<br>PHS 20B-1B42  |
|       | 43              | 434,96         | A<br>B | 30         | -    | -   | - | -                              | 19,78<br>23,40 | PHS 20B-1A43<br>PHS 20B-1B43  |
|       | 44              | 445,06         | A<br>B | 30         | -    | -   | - | -                              | 20,53<br>23,95 | PHS 20B-1A44<br>PHS 20B-1B44  |
|       | 45              | 455,15         | A<br>B | 30         | -    | -   | - | -                              | 21,29<br>24,49 | PHS 20B-1A45<br>PHS 20B-1B45  |
|       | 46              | 465,25         | A<br>B | 30         | -    | -   | - | -                              | 22,04<br>26,31 | PHS 20B-1A46<br>PHS 20B-1B46  |

| Pitch | Number of teeth | Pitch diameter | Type   | Dimensions |      | Hub |   | Plate thickness t <sub>1</sub> | Mass                           | Designation                   |
|-------|-----------------|----------------|--------|------------|------|-----|---|--------------------------------|--------------------------------|-------------------------------|
|       |                 |                |        | Bore stock | Bore | H   | L |                                |                                |                               |
|       |                 |                |        | Min.       | Max. |     |   |                                |                                |                               |
| mm    | -               | mm             | -      | mm         |      |     |   | kg                             | -                              |                               |
| 31,75 | 47              | 475,35         | A<br>B | 30         | -    | -   | - | -                              | 22,79<br>28,12                 | PHS 20B-1A47<br>PHS 20B-1B47  |
|       | 48              | 485,45         | A<br>B | 30         | -    | -   | - | -                              | 23,55<br>29,94                 | PHS 20B-1A48<br>PHS 20B-1B48  |
|       | 49              | 495,55         | A<br>B | 30         | -    | -   | - | -                              | 24,30<br>31,76                 | PHS 20B-1A49<br>PHS 20B-1B49  |
|       | 50              | 505,65         | A<br>B | 30         | -    | -   | - | -                              | 25,06<br>33,57                 | PHS 20B-1A50<br>PHS 20B-1B50  |
|       | 51              | 515,75         | A<br>B | 30         | -    | -   | - | -                              | 24,43<br>35,39                 | PHS 20B-1A51<br>PHS 20B-1B51  |
|       | 52              | 525,85         | A<br>B | 30         | -    | -   | - | -                              | 25,85<br>37,21                 | PHS 20B-1A52<br>PHS 20B-1B52  |
|       | 53              | 535,95         | A<br>B | 30         | -    | -   | - | -                              | 27,27<br>39,02                 | PHS 20B-1A53<br>PHS 20B-1B53  |
|       | 54              | 546,05         | A<br>C | 30         | -    | -   | - | -                              | 25,70<br>32,90                 | PHS 20B-1A54<br>PHS 20B-1C54  |
|       | 55              | 556,15         | A<br>C | 30         | -    | -   | - | -                              | 30,12<br>34,77                 | PHS 20B-1A55<br>PHS 20B-1C55  |
|       | 56              | 566,25         | A<br>C | 30         | -    | -   | - | -                              | 31,34<br>36,63                 | PHS 20B-1A56<br>PHS 20B-1C56  |
|       | 57              | 576,35         | A<br>C | 30         | -    | -   | - | -                              | 32,96<br>38,50                 | PHS 20B-1A57<br>PHS 20B-1C57  |
|       | 58              | 586,45         | A<br>C | 30         | -    | -   | - | -                              | 35,80<br>40,37                 | PHS 20B-1A58<br>PHS 20B-1C58  |
|       | 59              | 596,56         | A<br>C | 30         | -    | -   | - | -                              | 37,22<br>42,24                 | PHS 20B-1A59<br>PHS 20B-1C59  |
|       | 60              | 606,66         | A<br>C | 30         | -    | -   | - | -                              | 38,64<br>44,10                 | PHS 20B-1A60<br>PHS 20B-1C60  |
|       | 70              | 707,68         | A<br>C | 30         | -    | -   | - | -                              | 52,85<br>65,36                 | PHS 20B-1A70<br>PHS 20B-1C70  |
| 72    | 727,89          | A<br>C         | 30     | -          | -    | -   | - | 55,70<br>67,23                 | PHS 20B-1A72<br>PHS 20B-1C72   |                               |
| 76    | 768,30          | A<br>C         | 30     | -          | -    | -   | - | 61,38<br>70,98                 | PHS 20B-1A76<br>PHS 20B-1C76   |                               |
| 80    | 808,71          | A<br>C         | 30     | -          | -    | -   | - | 67,06<br>74,70                 | PHS 20B-1A80<br>PHS 20B-1C80   |                               |
| 84    | 849,13          | A<br>C         | 30     | -          | -    | -   | - | 72,75<br>78,43                 | PHS 20B-1A84<br>PHS 20B-1C84   |                               |
| 90    | 909,76          | A<br>C         | 30     | -          | -    | -   | - | 81,27<br>84,03                 | PHS 20B-1A90<br>PHS 20B-1C90   |                               |
| 95    | 960,28          | A<br>C         | 30     | -          | -    | -   | - | 102,42<br>117,18               | PHS 20B-1A95<br>PHS 20B-1C95   |                               |
| 96    | 970,38          | A<br>C         | 30     | -          | -    | -   | - | 103,84<br>117,56               | PHS 20B-1A96<br>PHS 20B-1C96   |                               |
| 114   | 1 152,27        | A<br>C         | 30     | -          | -    | -   | - | 130,84<br>124,40               | PHS 20B-1A114<br>PHS 20B-1C114 |                               |
| 38,10 | 9               | 111,40         | A<br>B | 20         | -    | -   | - | -                              | 1,69<br>2,02                   | PHS 24B-1A9<br>PHS 24B-1BH9   |
|       | 10              | 123,29         | A<br>B | 20         | -    | -   | - | -                              | 1,88<br>2,61                   | PHS 24B-1A10<br>PHS 24B-1BH10 |
|       | 11              | 135,23         | A<br>B | 20         | -    | -   | - | -                              | 2,06<br>3,77                   | PHS 24B-1A11<br>PHS 24B-1BH11 |
|       | 12              | 147,21         | A<br>B | 20         | -    | -   | - | -                              | 2,68<br>4,77                   | PHS 24B-1A12<br>PHS 24B-1BH12 |
|       | 13              | 159,20         | A<br>B | 20         | -    | -   | - | -                              | 3,06<br>5,91                   | PHS 24B-1A13<br>PHS 24B-1BH13 |
|       | 14              | 171,22         | A<br>B | 20         | -    | -   | - | -                              | 3,72<br>6,68                   | PHS 24B-1A14<br>PHS 24B-1BH14 |
|       | 15              | 183,25         | A<br>B | 20         | -    | -   | - | -                              | 4,31<br>7,49                   | PHS 24B-1A15<br>PHS 24B-1BH15 |

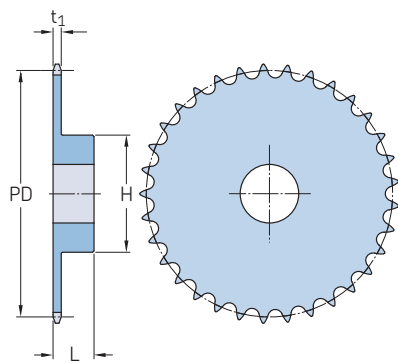
Maximum bores can accommodate standard keyways. Larger bores are available where a shallow keyway is used or no keyway is required. All Type B or C sprockets, up to and including 25 tooth, are with hardened teeth as standard. For any additional size sprockets with hardened teeth, add "H" before the number of teeth, e.g. PHS 08B-1AH8.

**Metric sprockets, simplex, pilot bore**

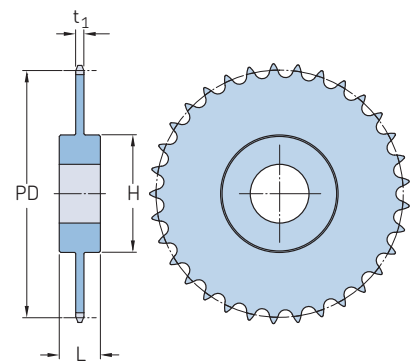
ISO 24B-1 · 38,10 mm pitch | ISO 28B-1 · 44,45 mm pitch



Type A



Type B



Type C

| Pitch | Number of teeth | Pitch diameter | Type   | Dimensions |      |     |                 | Mass           | Designation |                               |                               |
|-------|-----------------|----------------|--------|------------|------|-----|-----------------|----------------|-------------|-------------------------------|-------------------------------|
|       |                 |                |        | Bore stock | Bore | Hub | Plate thickness |                |             |                               |                               |
|       |                 | PD             |        | Min.       | Max. | H   | L               | t <sub>1</sub> |             |                               |                               |
| mm    | -               | mm             | -      | mm         |      |     |                 | kg             | -           |                               |                               |
| 38,10 | 16              | 195,29         | A      | 25         | -    | -   | -               | -              | 4,86        | PHS 24B-1A16<br>PHS 24B-1BH16 |                               |
|       |                 |                | B      | -          | 25   | 92  | 136             | 55             | 24,13       |                               | 9,08                          |
|       | 17              | 207,35         | A      | 25         | -    | -   | -               | -              | 5,44        | PHS 24B-1A17<br>PHS 24B-1BH17 |                               |
|       |                 |                | B      | -          | 25   | 92  | 136             | 55             | 24,13       |                               | 9,76                          |
|       | 18              | 219,41         | 219,41 | A          | 25   | -   | -               | -              | -           | 6,13                          | PHS 24B-1A18<br>PHS 24B-1BH18 |
|       |                 |                |        | B          | -    | 25  | 92              | 136            | 55          | 24,13                         |                               |
|       | 19              | 231,48         | 231,48 | A          | 25   | -   | -               | -              | -           | 7,03                          | PHS 24B-1A19<br>PHS 24B-1BH19 |
|       |                 |                |        | B          | -    | 25  | 92              | 136            | 55          | 24,13                         |                               |
|       | 20              | 243,55         | 243,55 | A          | 25   | -   | -               | -              | -           | 7,94                          | PHS 24B-1A20<br>PHS 24B-1BH20 |
|       |                 |                |        | B          | -    | 25  | 92              | 136            | 55          | 24,13                         |                               |
|       | 21              | 255,63         | 255,63 | A          | 25   | -   | -               | -              | -           | 8,62                          | PHS 24B-1A21<br>PHS 24B-1BH21 |
|       |                 |                |        | B          | -    | 25  | 92              | 150            | 60          | 24,13                         |                               |
|       | 22              | 267,72         | 267,72 | A          | 25   | -   | -               | -              | -           | 9,76                          | PHS 24B-1A22<br>PHS 24B-1BH22 |
|       |                 |                |        | B          | -    | 25  | 92              | 150            | 60          | 24,13                         |                               |
|       | 23              | 179,80         | 179,80 | A          | 25   | -   | -               | -              | -           | 10,43                         | PHS 24B-1A23<br>PHS 24B-1BH23 |
|       |                 |                |        | B          | -    | 25  | 92              | 150            | 60          | 24,13                         |                               |
|       | 24              | 291,90         | 291,90 | A          | 25   | -   | -               | -              | -           | 11,35                         | PHS 24B-1A24<br>PHS 24B-1BH24 |
|       |                 |                |        | B          | -    | 25  | 92              | 150            | 60          | 24,13                         |                               |
|       | 25              | 303,99         | 303,99 | A          | 25   | -   | -               | -              | -           | 12,47                         | PHS 24B-1A25<br>PHS 24B-1BH25 |
|       |                 |                |        | B          | -    | 25  | 92              | 150            | 60          | 24,13                         |                               |
|       | 26              | 316,09         | 316,09 | A          | 30   | -   | -               | -              | -           | 13,39                         | PHS 24B-1A26<br>PHS 24B-1B26  |
|       |                 |                |        | B          | -    | 30  | 102             | 150            | 65          | 24,13                         |                               |
|       | 27              | 328,19         | 328,19 | A          | 30   | -   | -               | -              | -           | 14,53                         | PHS 24B-1A27<br>PHS 24B-1B27  |
|       |                 |                |        | B          | -    | 30  | 102             | 150            | 65          | 24,13                         |                               |
|       | 28              | 340,29         | 340,29 | A          | 30   | -   | -               | -              | -           | 15,89                         | PHS 24B-1A28<br>PHS 24B-1B28  |
|       |                 |                |        | B          | -    | 30  | 102             | 150            | 65          | 24,13                         |                               |
|       | 29              | 352,39         | 352,39 | A          | 30   | -   | -               | -              | -           | 17,02                         | PHS 24B-1A29<br>PHS 24B-1B29  |
|       |                 |                |        | B          | -    | 30  | 102             | 150            | 65          | 24,13                         |                               |
|       | 30              | 364,49         | 364,49 | A          | 30   | -   | -               | -              | -           | 18,39                         | PHS 24B-1A30<br>PHS 24B-1B30  |
|       |                 |                |        | B          | -    | 30  | 102             | 150            | 65          | 24,13                         |                               |
|       | 31              | 376,60         | 376,60 | A          | 30   | -   | -               | -              | -           | 20,02                         | PHS 24B-1A31<br>PHS 24B-1B31  |
|       |                 |                |        | B          | -    | 30  | 102             | 150            | 65          | 24,13                         |                               |
|       | 32              | 388,71         | 388,71 | A          | 30   | -   | -               | -              | -           | 21,66                         | PHS 24B-1A32<br>PHS 24B-1B32  |
|       |                 |                |        | B          | -    | 30  | 102             | 150            | 65          | 24,13                         |                               |
|       | 33              | 400,82         | 400,82 | A          | 30   | -   | -               | -              | -           | 23,29                         | PHS 24B-1A33<br>PHS 24B-1B33  |
|       |                 |                |        | B          | -    | 30  | 102             | 150            | 65          | 24,13                         |                               |
|       | 34              | 412,93         | 412,93 | A          | 30   | -   | -               | -              | -           | 24,93                         | PHS 24B-1A34<br>PHS 24B-1B34  |
|       |                 |                |        | B          | -    | 30  | 102             | 150            | 65          | 24,13                         |                               |
| 35    | 425,04          | 425,04         | A      | 30         | -    | -   | -               | -              | 26,56       | PHS 24B-1A35<br>PHS 24B-1B35  |                               |
|       |                 |                | B      | -          | 30   | 102 | 150             | 65             | 24,13       |                               | 33,93                         |
| 36    | 437,15          | 437,15         | A      | 30         | -    | -   | -               | -              | 28,19       | PHS 24B-1A36<br>PHS 24B-1B36  |                               |
|       |                 |                | B      | -          | 30   | 102 | 150             | 65             | 24,13       |                               | 35,86                         |
| 38    | 461,37          | 461,37         | A      | 30         | -    | -   | -               | -              | 31,46       | PHS 24B-1A38<br>PHS 24B-1B38  |                               |
|       |                 |                | B      | -          | 30   | 102 | 150             | 65             | 24,13       |                               | 39,73                         |

| Pitch | Number of teeth | Pitch diameter | Type   | Dimensions |      |     |                 | Mass           | Designation |                              |                                |                               |
|-------|-----------------|----------------|--------|------------|------|-----|-----------------|----------------|-------------|------------------------------|--------------------------------|-------------------------------|
|       |                 |                |        | Bore stock | Bore | Hub | Plate thickness |                |             |                              |                                |                               |
|       |                 | PD             |        | Min.       | Max. | H   | L               | t <sub>1</sub> |             |                              |                                |                               |
| mm    | -               | mm             | -      | mm         |      |     |                 | kg             | -           |                              |                                |                               |
| 38,10 | 40              | 485,60         | A      | 30         | -    | -   | -               | -              | 36,23       | PHS 24B-1A40<br>PHS 24B-1B40 |                                |                               |
|       |                 |                | B      | -          | 30   | 102 | 150             | 65             | 24,13       |                              | 42,52                          |                               |
|       | 42              | 509,83         | 509,83 | A          | 30   | -   | -               | -              | -           | 40,99                        | PHS 24B-1A42<br>PHS 24B-1C42   |                               |
|       |                 |                |        | C          | -    | 30  | 102             | 160            | 90          | 24,13                        |                                | 45,31                         |
|       | 45              | 546,19         | 546,19 | A          | 30   | -   | -               | -              | -           | 48,14                        | PHS 24B-1A45<br>PHS 24B-1C45   |                               |
|       |                 |                |        | C          | -    | 30  | 102             | 160            | 90          | 24,13                        |                                | 50,71                         |
|       | 48              | 482,54         | 482,54 | A          | 30   | -   | -               | -              | -           | 55,29                        | PHS 24B-1A48<br>PHS 24B-1C48   |                               |
|       |                 |                |        | C          | -    | 30  | 102             | 160            | 90          | 24,13                        |                                | 57,43                         |
|       | 50              | 606,78         | 606,78 | A          | 30   | -   | -               | -              | -           | 60,05                        | PHS 24B-1A50<br>PHS 24B-1C50   |                               |
|       |                 |                |        | C          | -    | 30  | 102             | 160            | 90          | 24,13                        |                                | 61,57                         |
|       | 54              | 655,26         | 655,26 | A          | 30   | -   | -               | -              | -           | 69,58                        | PHS 24B-1A54<br>PHS 24B-1C54   |                               |
|       |                 |                |        | C          | -    | 30  | 102             | 160            | 100         | 24,13                        |                                | 69,84                         |
|       | 57              | 691,62         | 691,62 | A          | 30   | -   | -               | -              | -           | 76,73                        | PHS 24B-1A57<br>PHS 24B-1C57   |                               |
|       |                 |                |        | C          | -    | 30  | 133             | 160            | 100         | 24,13                        |                                | 76,05                         |
|       | 60              | 727,99         | 727,99 | A          | 30   | -   | -               | -              | -           | 85,19                        | PHS 24B-1A60<br>PHS 24B-1C60   |                               |
|       |                 |                |        | C          | -    | 30  | 133             | 160            | 100         | 24,13                        |                                | 80,05                         |
|       | 68              | 824,97         | 824,97 | A          | 40   | -   | -               | -              | -           | 107,74                       | PHS 24B-1A68<br>PHS 24B-1C68   |                               |
|       |                 |                |        | C          | -    | 30  | 133             | 160            | 100         | 24,13                        |                                | 93,39                         |
|       | 72              | 873,43         | 873,43 | A          | 40   | -   | -               | -              | -           | 119,02                       | PHS 24B-1A72<br>PHS 24B-1C72   |                               |
|       |                 |                |        | C          | -    | 30  | 133             | 160            | 100         | 24,13                        |                                | 111,51                        |
|       | 76              | 921,96         | 921,96 | A          | 40   | -   | -               | -              | -           | 130,30                       | PHS 24B-1A76<br>PHS 24B-1C76   |                               |
|       |                 |                |        | C          | -    | 30  | 133             | 160            | 100         | 24,13                        |                                | 129,62                        |
|       | 95              | 921,96         | 921,96 | A          | 40   | -   | -               | -              | -           | 183,88                       | PHS 24B-1A95<br>PHS 24B-1C95   |                               |
|       |                 |                |        | C          | -    | 30  | 133             | 160            | 100         | 24,13                        |                                | 215,67                        |
|       | 96              | 921,96         | 921,96 | A          | 40   | -   | -               | -              | -           | 186,70                       | PHS 24B-1A96<br>PHS 24B-1C96   |                               |
|       |                 |                |        | C          | -    | 30  | 133             | 160            | 100         | 24,13                        |                                | 220,20                        |
|       | 114             | 921,96         | 921,96 | A          | 40   | -   | -               | -              | -           | 237,46                       | PHS 24B-1A114<br>PHS 24B-1C114 |                               |
|       |                 |                |        | C          | -    | 30  | 133             | 160            | 100         | 24,13                        |                                | 301,71                        |
|       | 44,45           | 11             | 157,77 | A          | 20   | -   | -               | -              | -           | 3,18                         | PHS 28B-1A11<br>PHS 28B-1BH11  |                               |
|       |                 |                |        | B          | -    | 25  | 73              | 112            | 70          | 29,44                        |                                | 5,27                          |
|       |                 | 12             | 171,74 | 171,74     | A    | 20  | -               | -              | -           | -                            | 3,95                           | PHS 28B-1A12<br>PHS 28B-1BH12 |
|       |                 |                |        |            | B    | -   | 25              | 84             | 125         | 70                           | 29,44                          |                               |
|       |                 | 13             | 185,74 | 185,74     | A    | 20  | -               | -              | -           | -                            | 4,31                           | PHS 28B-1A13<br>PHS 28B-1BH13 |
|       |                 |                |        |            | B    | -   | 25              | 93             | 125         | 70                           | 29,44                          |                               |
|       |                 | 14             | 199,76 | 199,76     | A    | 20  | -               | -              | -           | -                            | 4,77                           | PHS 28B-1A14<br>PHS 28B-1BH14 |
|       |                 |                |        |            | B    | -   | 25              | 93             | 125         | 70                           | 29,44                          |                               |
|       |                 | 15             | 213,79 | 213,79     | A    | 20  | -               | -              | -           | -                            | 5,45                           | PHS 28B-1A15<br>PHS 28B-1BH15 |
|       |                 |                |        |            | B    | -   | 25              | 108            | 125         | 70                           | 29,44                          |                               |
| 16    |                 | 227,84         | 227,84 | A          | 30   | -   | -               | -              | -           | 6,81                         | PHS 28B-1A16<br>PHS 28B-1BH16  |                               |
|       |                 |                |        | B          | -    | 30  | 108             | 160            | 75          | 29,44                        |                                | 12,76                         |
| 17    |                 | 241,91         | 241,91 | A          | 30   | -   | -               | -              | -           | 7,71                         | PHS 28B-1A17<br>PHS 28B-1BH17  |                               |
|       |                 |                |        | B          | -    | 30  | 108             | 160            | 75          | 29,44                        |                                | 13,65                         |
| 18    |                 | 255,98         | 255,98 | A          | 30   | -   | -               | -              | -           | 8,63                         | PHS 28B-1A18<br>PHS 28B-1BH18  |                               |
|       |                 |                |        | B          | -    | 30  | 108             | 160            | 75          | 29,44                        |                                | 13,65                         |

Maximum bores can accommodate standard keyways. Larger bores are available where a shallow keyway is used or no keyway is required. All Type B or C sprockets, up to and including 25 tooth, are with hardened teeth as standard. For any additional size sprockets with hardened teeth, add "H" before the number of teeth, e.g. PHS 08B-1AH8.



# Metric sprockets, simplex, pilot bore

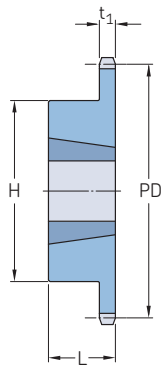
ISO 28B-1 · 44,45 mm pitch | ISO 32B-1 · 50,80 mm pitch

| Pitch | Number of teeth | Pitch diameter | Type | Dimensions |      | Hub  |     | Plate thickness t <sub>1</sub> | Mass         | Designation  | Pitch    | Number of teeth | Pitch diameter | Type         | Dimensions |      | Hub  |     | Plate thickness t <sub>1</sub> | Mass         | Designation  |
|-------|-----------------|----------------|------|------------|------|------|-----|--------------------------------|--------------|--------------|----------|-----------------|----------------|--------------|------------|------|------|-----|--------------------------------|--------------|--------------|
|       |                 |                |      | Bore stock | Bore | H    | L   |                                |              |              |          |                 |                |              | Bore stock | Bore | H    | L   |                                |              |              |
| mm    | -               | mm             | -    | mm         | Min. | Max. | mm  | mm                             | kg           | -            | mm       | -               | mm             | -            | mm         | Min. | Max. | mm  | mm                             | kg           | -            |
| 44,45 | 19              | 270,06         | A    | 30         | -    | -    | -   | -                              | 9,53         | PHS 28B-1A19 | 50,80    | 17              | 276,46         | A            | 30         | -    | -    | -   | -                              | 12,35        | PHS 32B-1A17 |
|       |                 |                | B    | -          | 30   | 108  | 160 | 75                             | 29,44        | 15,01        |          |                 |                | PHS 28B-1B19 | B          | -    | 30   | 103 | 160                            | 90           | 29,44        |
|       | 20              | 284,14         | A    | 30         | -    | -    | -   | -                              | 10,44        | PHS 28B-1A20 | 18       | 292,55          | A              | 30           | -          | -    | -    | -   | -                              | 13,96        | PHS 32B-1A18 |
|       |                 |                | B    | -          | 30   | 108  | 160 | 75                             | 29,44        | 16,84        |          |                 | PHS 28B-1B20   | B            | -          | 30   | 103  | 160 | 90                             | 29,44        | 21,88        |
|       | 21              | 298,24         | A    | 30         | -    | -    | -   | -                              | 11,79        | PHS 28B-1A21 | 19       | 308,64          | A              | 30           | -          | -    | -    | -   | -                              | 15,57        | PHS 32B-1A19 |
|       |                 |                | B    | -          | 30   | 108  | 160 | 75                             | 29,44        | 18,19        |          |                 | PHS 28B-1B21   | B            | -          | 30   | 103  | 160 | 90                             | 29,44        | 23,53        |
|       | 22              | 312,34         | A    | 30         | -    | -    | -   | -                              | 13,17        | PHS 28B-1A22 | 20       | 324,74          | A              | 30           | -          | -    | -    | -   | -                              | 17,36        | PHS 32B-1A20 |
|       |                 |                | B    | -          | 30   | 108  | 160 | 75                             | 29,44        | 19,11        |          |                 | PHS 28B-1B22   | B            | -          | 30   | 133  | 180 | 90                             | 29,44        | 25,37        |
|       | 23              | 326,44         | A    | 30         | -    | -    | -   | -                              | 14,06        | PHS 28B-1A23 | 21       | 340,84          | A              | 30           | -          | -    | -    | -   | -                              | 19,15        | PHS 32B-1A21 |
|       |                 |                | B    | -          | 30   | 108  | 160 | 75                             | 29,44        | 20,46        |          |                 | PHS 28B-1B23   | B            | -          | 30   | 133  | 180 | 90                             | 29,44        | 27,20        |
|       | 24              | 340,54         | A    | 30         | -    | -    | -   | -                              | 15,44        | PHS 28B-1A24 | 22       | 356,96          | A              | 30           | -          | -    | -    | -   | -                              | 21,13        | PHS 32B-1A22 |
|       |                 |                | B    | -          | 30   | 108  | 160 | 75                             | 29,44        | 21,84        |          |                 | PHS 28B-1B24   | B            | -          | 30   | 133  | 180 | 90                             | 29,44        | 29,23        |
|       | 25              | 354,65         | A    | 30         | -    | -    | -   | -                              | 16,78        | PHS 28B-1A25 | 23       | 373,07          | A              | 30           | -          | -    | -    | -   | -                              | 23,10        | PHS 32B-1A23 |
|       |                 |                | B    | -          | 30   | 108  | 160 | 75                             | 29,44        | 22,73        |          |                 | PHS 28B-1B25   | B            | -          | 30   | 133  | 180 | 90                             | 29,44        | 31,25        |
|       | 26              | 368,77         | A    | 30         | -    | -    | -   | -                              | 18,61        | PHS 28B-1A26 | 24       | 389,19          | A              | 30           | -          | -    | -    | -   | -                              | 25,26        | PHS 32B-1A24 |
|       |                 |                | B    | -          | 30   | 108  | 160 | 75                             | 29,44        | 26,83        |          |                 | PHS 28B-1B26   | B            | -          | 30   | 133  | 180 | 90                             | 29,44        | 35,33        |
|       | 27              | 382,88         | A    | 30         | -    | -    | -   | -                              | 20,43        | PHS 28B-1A27 | 25       | 405,32          | A              | 30           | -          | -    | -    | -   | -                              | 27,41        | PHS 32B-1A25 |
|       |                 |                | B    | -          | 30   | 108  | 160 | 75                             | 29,44        | 27,74        |          |                 | PHS 28B-1B27   | B            | -          | 30   | 133  | 180 | 90                             | 29,44        | 36,80        |
| 28    | 397,00          | A              | 30   | -          | -    | -    | -   | 20,88                          | PHS 28B-1A28 | 26           | 421,45   | A               | 30             | -            | -          | -    | -    | -   | 30,25                          | PHS 32B-1A26 |              |
|       |                 | B              | -    | 30         | 108  | 160  | 75  | 29,44                          | 30,29        |              |          | PHS 28B-1B28    | B              | -            | 30         | 133  | 180  | 90  | 29,44                          | 39,41        | PHS 32B-1B26 |
| 30    | 425,24          | A              | 30   | -          | -    | -    | -   | 25,17                          | PHS 28B-1A30 | 27           | 437,58   | A               | 30             | -            | -          | -    | -    | -   | 33,10                          | PHS 32B-1A27 |              |
|       |                 | B              | -    | 30         | 108  | 160  | 75  | 29,44                          | 32,73        |              |          | PHS 28B-1B30    | B              | -            | 30         | 133  | 180  | 90  | 29,44                          | 42,02        | PHS 32B-1B27 |
| 32    | 453,49          | A              | 30   | -          | -    | -    | -   | 31,02                          | PHS 28B-1A32 | 28           | 453,72   | A               | 30             | -            | -          | -    | -    | -   | 35,94                          | PHS 32B-1A28 |              |
|       |                 | B              | -    | 30         | 134  | 180  | 75  | 29,44                          | 34,84        |              |          | PHS 28B-1B32    | B              | -            | 30         | 133  | 180  | 90  | 29,44                          | 44,62        | PHS 32B-1B28 |
| 38    | 538,27          | A              | 30   | -          | -    | -    | -   | 48,58                          | PHS 28B-1A38 | 30           | 485,99   | A               | 30             | -            | -          | -    | -    | -   | 41,63                          | PHS 32B-1A30 |              |
|       |                 | B              | -    | 30         | 134  | 180  | 75  | 29,44                          | 51,25        |              |          | PHS 28B-1B38    | B              | -            | 30         | 133  | 180  | 90  | 29,44                          | 49,84        | PHS 32B-1B30 |
| 40    | 566,54          | A              | 30   | -          | -    | -    | -   | 52,80                          | PHS 28B-1A40 | 32           | 518,28   | A               | 30             | -            | -          | -    | -    | -   | 47,31                          | PHS 32B-1A32 |              |
|       |                 | C              | -    | 30         | 134  | 180  | 75  | 29,44                          | 52,84        |              |          | PHS 28B-1C40    | B              | -            | 30         | 139  | 180  | 90  | 29,44                          | 58,02        | PHS 32B-1B32 |
| 42    | 594,81          | A              | 30   | -          | -    | -    | -   | 57,02                          | PHS 28B-1A42 | 38           | 615,17   | A               | 30             | -            | -          | -    | -    | -   | 64,37                          | PHS 32B-1A38 |              |
|       |                 | C              | -    | 30         | 134  | 180  | 90  | 29,44                          | 54,43        |              |          | PHS 28B-1C42    | B              | -            | 30         | 139  | 180  | 90  | 29,44                          | 86,78        | PHS 32B-1B38 |
| 45    | 637,22          | A              | 30   | -          | -    | -    | -   | 63,35                          | PHS 28B-1A45 | 40           | 647,47   | A               | 40             | -            | -          | -    | -    | -   | 72,98                          | PHS 32B-1A40 |              |
|       |                 | C              | -    | 30         | 134  | 180  | 90  | 29,44                          | 60,55        |              |          | PHS 28B-1C45    | C              | -            | 30         | 139  | 180  | 90  | 29,44                          | 91,35        | PHS 32B-1C40 |
| 48    | 679,63          | A              | 30   | -          | -    | -    | -   | 69,68                          | PHS 28B-1A48 | 42           | 679,78   | A               | 40             | -            | -          | -    | -    | -   | 81,60                          | PHS 32B-1A42 |              |
|       |                 | C              | -    | 30         | 134  | 180  | 90  | 29,44                          | 62,72        |              |          | PHS 28B-1C48    | C              | -            | 30         | 139  | 180  | 90  | 29,44                          | 95,91        | PHS 32B-1C42 |
| 54    | 764,47          | A              | 30   | -          | -    | -    | -   | 82,34                          | PHS 28B-1A54 | 45           | 728,25   | A               | 40             | -            | -          | -    | -    | -   | 94,52                          | PHS 32B-1A45 |              |
|       |                 | C              | -    | 30         | 134  | 180  | 100 | 29,44                          | 74,60        |              |          | PHS 28B-1C54    | C              | -            | 30         | 139  | 180  | 100 | 29,44                          | 116,97       | PHS 32B-1C45 |
| 57    | 806,89          | A              | 40   | -          | -    | -    | -   | 88,67                          | PHS 28B-1A57 | 48           | 790,72   | A               | 40             | -            | -          | -    | -    | -   | 107,44                         | PHS 32B-1A48 |              |
|       |                 | C              | -    | 30         | 134  | 180  | 100 | 29,44                          | 81,77        |              |          | PHS 28B-1C57    | C              | -            | 30         | 139  | 180  | 100 | 29,44                          | 130,43       | PHS 32B-1C48 |
| 60    | 849,32          | A              | 40   | -          | -    | -    | -   | 97,97                          | PHS 28B-1A60 | 54           | 873,68   | A               | 40             | -            | -          | -    | -    | -   | 133,29                         | PHS 32B-1A54 |              |
|       |                 | C              | -    | 30         | 134  | 180  | 100 | 29,44                          | 88,94        |              |          | PHS 28B-1C60    | C              | -            | 30         | 139  | 180  | 100 | 29,44                          | 157,34       | PHS 32B-1C54 |
| 68    | 962,47          | A              | 40   | -          | -    | -    | -   | 122,79                         | PHS 28B-1A68 | 57           | 922,16   | A               | 40             | -            | -          | -    | -    | -   | 146,21                         | PHS 32B-1A57 |              |
|       |                 | C              | -    | 30         | 137  | 180  | 100 | 29,44                          | 108,05       |              |          | PHS 28B-1C68    | C              | -            | 30         | 139  | 180  | 100 | 29,44                          | 190,79       | PHS 32B-1C57 |
| 72    | 1 019,04        | A              | 40   | -          | -    | -    | -   | 135,19                         | PHS 28B-1A72 | 60           | 990,65   | A               | 40             | -            | -          | -    | -    | -   | 164,35                         | PHS 32B-1A60 |              |
|       |                 | C              | -    | 30         | 137  | 180  | 100 | 29,44                          | 117,61       |              |          | PHS 28B-1C72    | C              | -            | 30         | 139  | 200  | 110 | 29,44                          | 184,25       | PHS 32B-1C60 |
| 76    | 1 075,62        | A              | 40   | -          | -    | -    | -   | 147,60                         | PHS 28B-1A76 | 68           | 1 099,96 | A               | 40             | -            | -          | -    | -    | -   | 212,73                         | PHS 32B-1A68 |              |
|       |                 | C              | -    | 30         | 137  | 180  | 100 | 29,44                          | 127,17       |              |          | PHS 28B-1C76    | C              | -            | 30         | 139  | 200  | 110 | 29,44                          | 220,13       | PHS 32B-1C68 |
| 95    | 1 344,39        | A              | 40   | -          | -    | -    | -   | 206,53                         | PHS 28B-1A95 | 72           | 1 164,62 | A               | 40             | -            | -          | -    | -    | -   | 236,91                         | PHS 32B-1A72 |              |
|       |                 | C              | -    | 30         | 137  | 180  | 100 | 29,44                          | 172,57       |              |          | PHS 28B-1C95    | C              | -            | 30         | 139  | 200  | 110 | 29,44                          | 282,31       | PHS 32B-1C72 |
| 50,80 | 11              | 180,31         | A    | 25         | -    | -    | -   | -                              | 5,00         | PHS 32B-1A11 | 90       | 1 229,28        | A              | 40           | -          | -    | -    | -   | -                              | 261,10       | PHS 32B-1A90 |
|       |                 |                | B    | -          | 30   | 83   | 120 | 90                             | 29,44        | 9,04         |          |                 | PHS 32B-1B11   | C            | -          | 30   | 139  | 200 | 110                            | 29,44        | 297,99       |
|       | 12              | 196,28         | A    | 25         | -    | -    | -   | -                              | 6,02         | PHS 32B-1A12 | 13       | 212,27          | A              | 25           | -          | -    | -    | -   | -                              | 7,12         | PHS 32B-1A13 |
|       |                 |                | B    | -          | 30   | 89   | 133 | 90                             | 29,44        | 11,11        |          |                 | PHS 32B-1B12   | B            | -          | 30   | 102  | 145 | 90                             | 29,44        | 12,61        |
|       | 14              | 228,29         | A    | 30         | -    | -    | -   | -                              | 8,32         | PHS 32B-1A14 | 15       | 244,33          | A              | 30           | -          | -    | -    | -   | -                              | 9,50         | PHS 32B-1A15 |
|       |                 |                | B    | -          | 30   | 102  | 145 | 90                             | 29,44        | 14,97        |          |                 | PHS 32B-1B14   | B            | -          | 30   | 102  | 145 | 90                             | 29,44        | 17,32        |
|       | 16              | 260,39         | A    | 30         | -    | -    | -   | -                              | 11,64        | PHS 32B-1A16 | 18,78    | PHS 32B-1B16    |                |              |            |      |      |     |                                |              |              |

Maximum bores can accommodate standard keyways. Larger bores are available where a shallow keyway is used or no keyway is required. All Type B or C sprockets, up to and including 25 tooth, are with hardened teeth as standard. For any additional size sprockets with hardened teeth, add "H" before the number of teeth, e.g. PHS 08B-1AH8.

Metric sprockets, simplex, taper bushed

ISO 06B-1 · 9,525 mm pitch | ISO 08B-1 · 12,70 mm pitch



Type B

| Pitch | Number of teeth | Pitch diameter | Type  | Bushing number | Dimensions |      |      |                    | Plate thickness    | Mass Rim | Bushing | Designation    |
|-------|-----------------|----------------|-------|----------------|------------|------|------|--------------------|--------------------|----------|---------|----------------|
|       |                 |                |       |                | Bore       |      | L    | H                  |                    |          |         |                |
|       |                 | PD             |       |                | Min.       | Max. |      |                    | t <sub>1</sub>     |          |         |                |
| mm    | -               | mm             | -     | -              | mm         |      |      |                    |                    | kg       | -       |                |
| 9,525 | 16              | 48,82          | B     | 1008           | 9          | 25,4 | 22,0 | 42,0 <sup>4)</sup> | 5,31               | 0,12     | 0,09    | PHS 06B-1TBH16 |
|       | 17              | 51,83          | B     | 1008           | 9          | 25,4 | 22,0 | 45,0               | 5,31               | 0,13     | 0,09    | PHS 06B-1TBH17 |
|       | 18              | 54,85          | B     | 1008           | 9          | 25,4 | 22,0 | 45,0               | 5,31               | 0,14     | 0,09    | PHS 06B-1TBH18 |
|       | 19              | 57,87          | B     | 1008           | 9          | 25,4 | 22,0 | 45,0               | 5,31               | 0,16     | 0,09    | PHS 06B-1TBH19 |
|       | 20              | 60,89          | B     | 1008           | 9          | 25,4 | 22,0 | 46,0               | 5,31               | 0,18     | 0,09    | PHS 06B-1TBH20 |
|       | 21              | 63,91          | B     | 1008           | 9          | 25,4 | 22,0 | 46,0               | 5,31               | 0,20     | 0,09    | PHS 06B-1TBH21 |
|       | 22              | 66,93          | B     | 1108           | 9          | 28,0 | 22,0 | 52,0               | 5,31               | 0,24     | 0,12    | PHS 06B-1TBH22 |
|       | 23              | 69,95          | B     | 1210           | 11         | 31,8 | 25,0 | 63,0 <sup>4)</sup> | 5,31               | 0,30     | 0,21    | PHS 06B-1TBH23 |
|       | 24              | 72,97          | B     | 1210           | 11         | 31,8 | 25,0 | 63,0               | 5,31               | 0,32     | 0,21    | PHS 06B-1TBH24 |
|       | 25              | 76,00          | B     | 1210           | 11         | 31,8 | 25,0 | 63,0               | 5,31               | 0,35     | 0,21    | PHS 06B-1TBH25 |
|       | 26              | 79,02          | B     | 1210           | 11         | 31,8 | 25,0 | 63,0               | 5,31               | 0,35     | 0,21    | PHS 06B-1TB26  |
|       | 27              | 82,05          | B     | 1210           | 11         | 31,8 | 25,0 | 63,0               | 5,31               | 0,38     | 0,21    | PHS 06B-1TB27  |
|       | 28              | 85,07          | B     | 1210           | 11         | 31,8 | 25,0 | 63,0               | 5,31               | 0,38     | 0,21    | PHS 06B-1TB28  |
|       | 29              | 88,09          | B     | 1210           | 11         | 31,8 | 25,0 | 63,0               | 5,31               | 0,40     | 0,21    | PHS 06B-1TB29  |
|       | 30              | 91,12          | B     | 1210           | 11         | 31,8 | 25,0 | 63,0               | 5,31               | 0,41     | 0,21    | PHS 06B-1TB30  |
|       | 32              | 97,18          | B     | 1210           | 11         | 31,8 | 25,0 | 63,0               | 5,31               | 0,58     | 0,21    | PHS 06B-1TB32  |
|       | 35              | 106,26         | B     | 1210           | 11         | 31,8 | 25,0 | 63,0               | 5,31               | 0,76     | 0,21    | PHS 06B-1TB35  |
|       | 36              | 109,29         | B     | 1210           | 11         | 31,8 | 25,0 | 63,0               | 5,31               | 0,82     | 0,21    | PHS 06B-1TB36  |
|       | 38              | 115,35         | B     | 1210           | 11         | 31,8 | 25,0 | 70,0               | 5,31               | 0,94     | 0,21    | PHS 06B-1TB38  |
|       | 40              | 121,40         | B     | 1210           | 11         | 31,8 | 25,0 | 70,0               | 5,31               | 1,06     | 0,21    | PHS 06B-1TB40  |
|       | 45              | 136,55         | B     | 1210           | 11         | 31,8 | 25,0 | 70,0               | 5,31               | 1,36     | 0,21    | PHS 06B-1TB45  |
|       | 48              | 145,65         | B     | 1210           | 11         | 31,8 | 25,0 | 70,0               | 5,31               | 1,54     | 0,21    | PHS 06B-1TB48  |
|       | 54              | 163,82         | B     | 1210           | 11         | 31,8 | 25,0 | 70,0               | 5,31               | 1,90     | 0,21    | PHS 06B-1TB54  |
|       | 57              | 172,90         | B     | 1210           | 11         | 31,8 | 25,0 | 70,0               | 5,31               | 1,60     | 0,21    | PHS 06B-1TB57  |
|       | 60              | 182,00         | B     | 1210           | 11         | 31,8 | 25,0 | 70,0               | 5,31               | 2,26     | 0,21    | PHS 06B-1TB60  |
|       | 70              | 212,30         | B     | 1210           | 11         | 31,8 | 25,0 | 70,0               | 5,31               | 2,86     | 0,21    | PHS 06B-1TB70  |
|       | 76              | 230,49         | B     | 1210           | 11         | 31,8 | 25,0 | 70,0               | 5,31               | 2,43     | 0,21    | PHS 06B-1TB76  |
|       | 95              | 288,08         | B     | 1210           | 11         | 31,8 | 25,0 | 110,0              | 5,31               | 2,72     | 0,21    | PHS 06B-1TB95  |
|       | 114             | 345,68         | B     | 1215           | 11         | 31,8 | 25,0 | 110,0              | 5,31               | 5,50     | 0,31    | PHS 06B-1TB114 |
|       | 12,70           | 14             | 57,07 | B              | 1008       | 9    | 25,4 | 22,0               | 46,0 <sup>4)</sup> | 7,37     | 0,12    | 0,14           |
| 15    |                 | 61,09          | B     | 1008           | 9          | 25,4 | 22,0 | 45,0               | 7,37               | 0,18     | 0,14    | PHS 08B-1TBH15 |
| 16    |                 | 65,10          | B     | 1108           | 9          | 28,0 | 22,0 | 52,0               | 7,37               | 0,24     | 0,16    | PHS 08B-1TBH16 |
| 17    |                 | 69,11          | B     | 1210           | 11         | 31,8 | 25,0 | 60,0 <sup>4)</sup> | 7,37               | 0,24     | 0,27    | PHS 08B-1TBH17 |
| 18    |                 | 73,14          | B     | 1210           | 11         | 31,8 | 25,0 | 60,0 <sup>4)</sup> | 7,37               | 0,30     | 0,27    | PHS 08B-1TBH18 |
| 19    |                 | 77,16          | B     | 1210           | 11         | 31,8 | 25,0 | 63,0               | 7,37               | 0,33     | 0,27    | PHS 08B-1TBH19 |
| 20    |                 | 81,19          | B     | 1610           | 11         | 31,8 | 25,0 | 71,0               | 7,37               | 0,32     | 0,41    | PHS 08B-1TBH20 |
| 21    |                 | 85,22          | B     | 1610           | 14         | 41,3 | 25,0 | 71,0               | 7,37               | 0,37     | 0,41    | PHS 08B-1TBH21 |
| 22    |                 | 89,24          | B     | 1610           | 14         | 41,3 | 25,0 | 76,0               | 7,37               | 0,50     | 0,41    | PHS 08B-1TBH22 |
| 23    |                 | 93,27          | B     | 1610           | 14         | 41,3 | 25,0 | 76,0               | 7,37               | 0,53     | 0,41    | PHS 08B-1TBH23 |
| 24    |                 | 97,29          | B     | 1610           | 14         | 41,3 | 25,0 | 76,0               | 7,37               | 0,54     | 0,41    | PHS 08B-1TBH24 |
| 25    |                 | 101,33         | B     | 1610           | 14         | 41,3 | 25,0 | 76,0               | 7,37               | 0,59     | 0,41    | PHS 08B-1TBH25 |
| 26    |                 | 105,36         | B     | 1610           | 14         | 41,3 | 25,0 | 76,0               | 7,37               | 0,61     | 0,41    | PHS 08B-1TB26  |
| 27    |                 | 109,40         | B     | 1610           | 14         | 41,3 | 25,0 | 76,0               | 7,37               | 0,94     | 0,41    | PHS 08B-1TB27  |
| 28    |                 | 113,42         | B     | 2012           | 14         | 50,8 | 25,0 | 90,0               | 7,37               | 0,86     | 0,77    | PHS 08B-1TB28  |
| 29    |                 | 117,46         | B     | 2012           | 14         | 50,8 | 25,0 | 90,0               | 7,37               | 0,90     | 0,77    | PHS 08B-1TB29  |
| 30    |                 | 121,50         | B     | 2012           | 14         | 50,8 | 32,0 | 90,0               | 7,37               | 0,94     | 0,59    | PHS 08B-1TB30  |
| 32    |                 | 129,57         | B     | 2012           | 14         | 50,8 | 32,0 | 90,0               | 7,37               | 1,12     | 0,59    | PHS 08B-1TB32  |
| 35    |                 | 141,68         | B     | 2012           | 14         | 50,8 | 32,0 | 90,0               | 7,37               | 1,30     | 0,59    | PHS 08B-1TB35  |
| 36    |                 | 145,72         | B     | 2012           | 14         | 50,8 | 32,0 | 90,0               | 7,37               | 1,48     | 0,59    | PHS 08B-1TB36  |
| 38    |                 | 153,80         | B     | 2012           | 14         | 50,8 | 32,0 | 90,0               | 7,37               | 1,67     | 0,59    | PHS 08B-1TB38  |
| 40    |                 | 161,87         | B     | 2012           | 14         | 50,8 | 32,0 | 90,0               | 7,37               | 1,80     | 0,59    | PHS 08B-1TB40  |
| 42    |                 | 169,94         | B     | 2012           | 14         | 50,8 | 32,0 | 100,0              | 7,37               | 1,93     | 0,59    | PHS 08B-1TB42  |
| 45    |                 | 182,07         | B     | 2012           | 14         | 50,8 | 32,0 | 100,0              | 7,37               | 2,06     | 0,59    | PHS 08B-1TB45  |
| 48    |                 | 194,18         | B     | 2012           | 14         | 50,8 | 32,0 | 100,0              | 7,37               | 2,36     | 0,59    | PHS 08B-1TB48  |

<sup>4)</sup> Undercut in hub for chain clearance

All Type B or C sprockets, up to and including 25 tooth, are with hardened teeth as standard.

For any additional size sprockets with hardened teeth, add "H" before the number of teeth, e.g. PHS 08B-1TBH16.

# Metric sprockets, simplex, taper bushed

ISO 08B-1 · 12,70 mm pitch | ISO 10B-1 · 15,88 mm pitch | ISO 12B-1 · 19,05 mm pitch

| Pitch | Number of teeth | Pitch diameter | Type  | Bushing number | Dimensions |      |      |                    | Plate thickness    | Mass Rim | Bushing | Designation    |                |
|-------|-----------------|----------------|-------|----------------|------------|------|------|--------------------|--------------------|----------|---------|----------------|----------------|
|       |                 |                |       |                | Bore       |      | L    | H                  |                    |          |         |                |                |
|       |                 | PD             |       |                | Min.       | Max. |      |                    | t <sub>1</sub>     |          |         |                |                |
| mm    | -               | mm             | -     | -              | mm         |      |      |                    |                    | kg       | -       |                |                |
| 12,70 | 54              | 218,42         | B     | 2012           | 14         | 50,8 | 32,0 | 100,0              | 7,37               | 2,66     | 0,59    | PHS 08B-1TB54  |                |
|       | 57              | 230,53         | B     | 2012           | 14         | 50,8 | 32,0 | 100,0              | 7,37               | 3,07     | 0,59    | PHS 08B-1TB57  |                |
|       | 60              | 242,66         | B     | 2012           | 14         | 50,8 | 32,0 | 100,0              | 7,37               | 3,23     | 0,59    | PHS 08B-1TB60  |                |
|       | 70              | 283,07         | B     | 2012           | 14         | 50,8 | 32,0 | 100,0              | 7,37               | 3,39     | 0,59    | PHS 08B-1TB70  |                |
|       | 72              | 291,15         | B     | 2012           | 14         | 50,8 | 32,0 | 100,0              | 7,37               | 3,55     | 0,59    | PHS 08B-1TB72  |                |
|       | 76              | 307,31         | B     | 2012           | 14         | 50,8 | 32,0 | 100,0              | 7,37               | 3,71     | 0,59    | PHS 08B-1TB76  |                |
|       | 80              | 323,49         | B     | 2012           | 14         | 50,8 | 32,0 | 100,0              | 7,37               | 4,55     | 0,59    | PHS 08B-1TB80  |                |
|       | 84              | 339,65         | B     | 2012           | 14         | 50,8 | 32,0 | 100,0              | 7,37               | 5,39     | 0,59    | PHS 08B-1TB84  |                |
|       | 95              | 384,10         | B     | 2012           | 14         | 50,8 | 32,0 | 100,0              | 7,37               | 6,23     | 0,59    | PHS 08B-1TB95  |                |
|       | 96              | 388,15         | B     | 2012           | 14         | 50,8 | 32,0 | 100,0              | 7,37               | 7,00     | 0,59    | PHS 08B-1TB96  |                |
|       | 114             | 460,90         | B     | 2517           | 16         | 63,5 | 45,0 | 110,0              | 7,37               | 8,10     | 1,30    | PHS 08B-1TB114 |                |
|       | 15,88           | 12             | 61,34 | B              | 1008       | 9    | 25,4 | 22,0               | 49,2 <sup>1)</sup> | 9,17     | 0,21    | 0,09           | PHS 10B-1TBH12 |
|       |                 | 13             | 66,32 | B              | 1008       | 9    | 25,4 | 22,0               | 47,0               | 9,17     | 0,25    | 0,09           | PHS 10B-1TBH13 |
|       |                 | 14             | 71,34 | B              | 1108       | 9    | 25,4 | 22,0               | 52,0               | 9,17     | 0,27    | 0,12           | PHS 10B-1TBH14 |
| 15    |                 | 76,36          | B     | 1210           | 11         | 31,8 | 25,0 | 60,0               | 9,17               | 0,33     | 0,21    | PHS 10B-1TBH15 |                |
| 16    |                 | 81,37          | B     | 1610           | 14         | 41,3 | 25,0 | 70,6 <sup>4)</sup> | 9,17               | 0,32     | 0,31    | PHS 10B-1TBH16 |                |
| 17    |                 | 86,39          | B     | 1610           | 14         | 41,3 | 25,0 | 71,0 <sup>4)</sup> | 9,17               | 0,40     | 0,31    | PHS 10B-1TBH17 |                |
| 18    |                 | 91,42          | B     | 1610           | 14         | 41,3 | 25,0 | 75,0               | 9,17               | 0,50     | 0,31    | PHS 10B-1TBH18 |                |
| 19    |                 | 96,45          | B     | 1610           | 14         | 41,3 | 25,0 | 75,0               | 9,17               | 0,56     | 0,31    | PHS 10B-1TBH19 |                |
| 20    |                 | 101,49         | B     | 1610           | 14         | 41,3 | 25,0 | 76,0               | 9,17               | 0,64     | 0,31    | PHS 10B-1TBH20 |                |
| 21    |                 | 106,52         | B     | 1610           | 14         | 41,3 | 25,0 | 76,0               | 9,17               | 0,69     | 0,31    | PHS 10B-1TBH21 |                |
| 22    |                 | 111,55         | B     | 1610           | 14         | 41,3 | 25,0 | 76,0               | 9,17               | 0,75     | 0,31    | PHS 10B-1TBH22 |                |
| 23    |                 | 116,58         | B     | 1610           | 14         | 41,3 | 25,0 | 76,0               | 9,17               | 0,81     | 0,31    | PHS 10B-1TBH23 |                |
| 24    |                 | 121,62         | B     | 2012           | 14         | 50,8 | 32,0 | 90,0               | 9,17               | 1,00     | 0,59    | PHS 10B-1TBH24 |                |
| 25    |                 | 126,66         | B     | 2012           | 14         | 50,8 | 32,0 | 90,0               | 9,17               | 1,06     | 0,59    | PHS 10B-1TBH25 |                |
| 26    |                 | 131,70         | B     | 2012           | 14         | 50,8 | 32,0 | 90,0               | 9,17               | 1,14     | 0,59    | PHS 10B-1TB26  |                |
| 27    |                 | 136,75         | B     | 2012           | 14         | 50,8 | 32,0 | 90,0               | 9,17               | 1,19     | 0,59    | PHS 10B-1TB27  |                |
| 28    |                 | 141,78         | B     | 2012           | 14         | 50,8 | 32,0 | 90,0               | 9,17               | 1,28     | 0,59    | PHS 10B-1TB28  |                |
| 29    |                 | 146,83         | B     | 2012           | 14         | 50,8 | 32,0 | 90,0               | 9,17               | 1,37     | 0,59    | PHS 10B-1TB29  |                |
| 30    |                 | 151,87         | B     | 2012           | 14         | 50,8 | 32,0 | 90,0               | 9,17               | 1,65     | 0,59    | PHS 10B-1TB30  |                |
| 32    |                 | 161,96         | B     | 2012           | 14         | 50,8 | 32,0 | 98,0               | 9,17               | 2,21     | 0,59    | PHS 10B-1TB32  |                |
| 35    |                 | 177,10         | B     | 2012           | 14         | 50,8 | 32,0 | 98,0               | 9,17               | 3,05     | 0,59    | PHS 10B-1TB35  |                |
| 36    |                 | 182,15         | B     | 2012           | 14         | 50,8 | 32,0 | 98,0               | 9,17               | 3,33     | 0,59    | PHS 10B-1TB36  |                |
| 38    |                 | 192,24         | B     | 2012           | 14         | 50,8 | 32,0 | 100,0              | 9,17               | 3,89     | 0,59    | PHS 10B-1TB38  |                |
| 40    |                 | 202,33         | B     | 2012           | 14         | 50,8 | 32,0 | 100,0              | 9,17               | 4,45     | 0,59    | PHS 10B-1TB40  |                |
| 42    |                 | 212,43         | B     | 2012           | 14         | 50,8 | 32,0 | 100,0              | 9,17               | 5,01     | 0,59    | PHS 10B-1TB42  |                |
| 45    |                 | 227,58         | B     | 2012           | 14         | 50,8 | 32,0 | 100,0              | 9,17               | 3,97     | 0,59    | PHS 10B-1TB45  |                |
| 48    |                 | 242,73         | B     | 2012           | 14         | 50,8 | 32,0 | 100,0              | 9,17               | 6,69     | 0,59    | PHS 10B-1TB48  |                |
| 54    |                 | 273,03         | B     | 2012           | 14         | 50,8 | 32,0 | 100,0              | 9,17               | 8,37     | 0,59    | PHS 10B-1TB54  |                |
| 57    |                 | 288,19         | B     | 2012           | 14         | 50,8 | 32,0 | 100,0              | 9,17               | 5,45     | 0,59    | PHS 10B-1TB57  |                |
| 60    |                 | 303,33         | B     | 2012           | 14         | 50,8 | 32,0 | 100,0              | 9,17               | 10,05    | 0,59    | PHS 10B-1TB60  |                |
| 70    |                 | 353,84         | B     | 2012           | 16         | 63,5 | 45,0 | 100,0              | 9,17               | 12,85    | 1,30    | PHS 10B-1TB70  |                |
| 72    |                 | 363,95         | B     | 2012           | 16         | 63,5 | 45,0 | 100,0              | 9,17               | 13,41    | 1,30    | PHS 10B-1TB72  |                |
| 76    |                 | 384,15         | B     | 2012           | 14         | 50,8 | 45,0 | 100,0              | 9,17               | 7,43     | 0,59    | PHS 10B-1TB76  |                |
| 80    |                 | 404,35         | B     | 2012           | 16         | 63,5 | 45,0 | 110,0              | 9,17               | 15,65    | 1,30    | PHS 10B-1TB80  |                |
| 84    |                 | 424,70         | B     | 2012           | 16         | 63,5 | 45,0 | 110,0              | 9,17               | 16,77    | 1,30    | PHS 10B-1TB84  |                |
| 95    |                 | 480,14         | B     | 2517           | 14         | 50,8 | 45,0 | 110,0              | 9,17               | 19,85    | 0,59    | PHS 10B-1TB95  |                |
| 96    |                 | 485,30         | B     | 2517           | 16         | 63,5 | 45,0 | 110,0              | 9,17               | 20,13    | 1,30    | PHS 10B-1TB96  |                |
| 114   |                 | 576,13         | B     | 2517           | 16         | 63,5 | 45,0 | 110,0              | 9,17               | 25,17    | 1,30    | PHS 10B-1TB114 |                |
| 19,05 |                 | 11             | 67,61 | B              | 1008       | 9    | 25,4 | 22,0               | 46,0               | 11,10    | 0,22    | 0,09           | PHS 12B-1TBH11 |
|       |                 | 12             | 73,61 | B              | 1008       | 9    | 25,4 | 22,0               | 49,2               | 11,10    | 0,30    | 0,09           | PHS 12B-1TBH12 |
|       |                 | 13             | 79,59 | B              | 1210       | 11   | 31,8 | 25,0               | 60,0               | 11,10    | 0,38    | 0,21           | PHS 12B-1TBH13 |
|       |                 | 14             | 85,61 | B              | 1610       | 14   | 41,3 | 25,0               | 70,0               | 11,10    | 0,46    | 0,31           | PHS 12B-1TBH14 |
|       | 15              | 91,63          | B     | 1610           | 14         | 41,3 | 25,0 | 70,0               | 11,10              | 0,48     | 0,31    | PHS 12B-1TBH15 |                |
|       | 16              | 97,65          | B     | 1610           | 14         | 41,3 | 25,0 | 75,0               | 11,10              | 0,60     | 0,31    | PHS 12B-1TBH16 |                |
|       | 17              | 103,67         | B     | 1610           | 14         | 41,3 | 25,0 | 76,0               | 11,10              | 0,70     | 0,31    | PHS 12B-1TBH17 |                |
|       | 18              | 109,71         | B     | 2012           | 14         | 50,8 | 32,0 | 90,0               | 11,10              | 0,86     | 0,59    | PHS 12B-1TBH18 |                |
|       | 19              | 115,75         | B     | 2012           | 14         | 50,8 | 32,0 | 90,0               | 11,10              | 0,98     | 0,59    | PHS 12B-1TBH19 |                |
|       | 20              | 121,78         | B     | 2012           | 14         | 50,8 | 32,0 | 95,0               | 11,10              | 1,25     | 0,59    | PHS 12B-1TBH20 |                |
|       | 21              | 127,82         | B     | 2517           | 16         | 63,5 | 45,0 | 102,0              | 11,10              | 1,28     | 1,30    | PHS 12B-1TBH21 |                |
|       | 22              | 133,86         | B     | 2517           | 16         | 63,5 | 45,0 | 102,0              | 11,10              | 1,37     | 1,30    | PHS 12B-1TBH22 |                |
|       | 23              | 139,90         | B     | 2517           | 16         | 63,5 | 45,0 | 108,0              | 11,10              | 1,75     | 1,30    | PHS 12B-1TBH23 |                |
|       | 24              | 145,94         | B     | 2517           | 16         | 63,5 | 45,0 | 108,0              | 11,10              | 1,85     | 1,30    | PHS 12B-1TBH24 |                |
|       | 25              | 152,00         | B     | 2517           | 16         | 63,5 | 45,0 | 108,0              | 11,10              | 1,95     | 1,30    | PHS 12B-1TBH25 |                |
|       | 26              | 158,04         | B     | 2517           | 16         | 63,5 | 45,0 | 108,0              | 11,10              | 2,09     | 1,30    | PHS 12B-1TB26  |                |
|       | 27              | 164,09         | B     | 2517           | 16         | 63,5 | 45,0 | 108,0              | 11,10              | 2,22     | 1,30    | PHS 12B-1TB27  |                |
|       | 28              | 170,13         | B     | 2517           | 16         | 63,5 | 45,0 | 108,0              | 11,10              | 2,36     | 1,30    | PHS 12B-1TB28  |                |
|       | 29              | 176,19         | B     | 2517           | 16         | 63,5 | 45,0 | 108,0              | 11,10              | 2,75     | 1,30    | PHS 12B-1TB29  |                |
|       | 30              | 182,25         | B     | 2517           | 16         | 63,5 | 45,0 | 108,0              | 11,10              | 2,89     | 1,30    | PHS 12B-1TB30  |                |
|       | 32              | 194,36         | B     | 2517           | 16         | 63,5 | 45,0 | 108,0              | 11,10              | 3,59     | 1,30    | PHS 12B-1TB32  |                |
|       | 35              | 212,52         | B     | 2517           | 16         | 63,5 | 45,0 | 108,0              | 11,10              | 4,41     | 1,30    | PHS 12B-1TB35  |                |
|       | 36              | 218,58         | B     | 2517           | 16         | 63,5 | 45,0 | 108,0              | 11,10              | 4,68     | 1,30    | PHS 12B-1TB36  |                |
|       | 38              | 230,69         | B     | 2517           | 16         | 63,5 | 45,0 | 108,0              | 11,10              | 4,60     | 1,30    | PHS 12B-1TB38  |                |

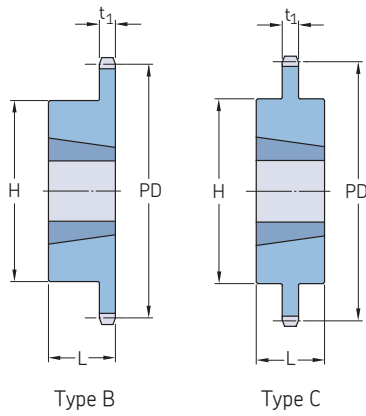
<sup>1)</sup> Undercut in hub for chain clearance

All Type B or C sprockets, up to and including 25 tooth, are with hardened teeth as standard.

For any additional size sprockets with hardened teeth, add "H" before the number of teeth, e.g. PHS 08B-1TBH16.

Metric sprockets, simplex, taper bushed

ISO 12B-1 · 19,05 mm pitch | ISO 16B-1 · 25,40 mm pitch



| Pitch | Number of teeth | Pitch diameter<br>PD | Type | Bushing number | Dimensions |      |       |       | Plate thickness<br>$t_1$ | Mass Rim | Bushing        | Designation    |
|-------|-----------------|----------------------|------|----------------|------------|------|-------|-------|--------------------------|----------|----------------|----------------|
|       |                 |                      |      |                | Bore       | Min. | Max.  | L     |                          |          |                |                |
| mm    | -               | mm                   | -    | -              | mm         |      |       |       |                          | kg       | -              |                |
| 19,05 | 40              | 242,81               | B    | 2517           | 16         | 63,5 | 45,0  | 108,0 | 11,10                    | 5,78     | 1,30           | PHS 12B-1TB40  |
|       | 42              | 254,93               | B    | 2517           | 16         | 63,5 | 45,0  | 108,0 | 11,10                    | 6,33     | 1,30           | PHS 12B-1TB42  |
|       | 45              | 273,10               | B    | 2517           | 16         | 63,5 | 45,0  | 108,0 | 11,10                    | 5,70     | 1,30           | PHS 12B-1TB45  |
|       | 48              | 291,27               | B    | 2517           | 16         | 63,5 | 45,0  | 108,0 | 11,10                    | 7,97     | 1,30           | PHS 12B-1TB48  |
|       | 54              | 327,64               | B    | 2517           | 16         | 63,5 | 45,0  | 108,0 | 11,10                    | 9,61     | 1,30           | PHS 12B-1TB54  |
|       | 57              | 345,81               | B    | 2517           | 16         | 63,5 | 45,0  | 108,0 | 11,10                    | 6,49     | 1,30           | PHS 12B-1TB57  |
|       | 60              | 363,99               | B    | 2517           | 16         | 63,5 | 45,0  | 108,0 | 11,10                    | 11,25    | 1,30           | PHS 12B-1TB60  |
|       | 68              | 412,49               | B    | 2517           | 16         | 63,5 | 45,0  | 108,0 | 11,10                    | 13,44    | 1,30           | PHS 12B-1TB68  |
|       | 70              | 424,60               | B    | 2517           | 16         | 63,5 | 45,0  | 108,0 | 11,10                    | 13,99    | 1,30           | PHS 12B-1TB70  |
|       | 72              | 436,74               | B    | 2517           | 16         | 63,5 | 45,0  | 108,0 | 11,10                    | 14,54    | 1,30           | PHS 12B-1TB72  |
|       | 76              | 460,99               | B    | 2517           | 16         | 63,5 | 45,0  | 108,0 | 11,10                    | 11,20    | 1,30           | PHS 12B-1TB76  |
|       | 84              | 509,48               | B    | 2517           | 16         | 63,5 | 45,0  | 108,0 | 11,10                    | 17,82    | 1,30           | PHS 12B-1TB84  |
|       | 95              | 576,17               | B    | 2517           | 16         | 63,5 | 45,0  | 108,0 | 11,10                    | 17,64    | 1,30           | PHS 12B-1TB95  |
|       | 96              | 582,23               | B    | 2517           | 16         | 63,5 | 45,0  | 108,0 | 11,10                    | 21,11    | 1,30           | PHS 12B-1TB96  |
| 114   | 691,36          | B                    | 2517 | 16             | 63,5       | 64,0 | 108,0 | 11,10 | 26,04                    | 1,30     | PHS 12B-1TB114 |                |
| 25,40 | 10              | 82,19                | B    | 1215           | 11         | 31,8 | 38,0  | 62,7  | 16,18                    | 0,34     | 0,30           | PHS 16B-1TBH10 |
|       | 11              | 90,14                | B    | 1215           | 11         | 31,8 | 38,0  | 62,7  | 16,18                    | 0,57     | 0,30           | PHS 16B-1TBH11 |
|       | 12              | 98,14                | B    | 1615           | 14         | 41,3 | 38,0  | 76,2  | 16,18                    | 0,81     | 0,43           | PHS 16B-1TBH12 |
|       | 13              | 106,12               | B    | 1615           | 14         | 41,3 | 38,0  | 73,0  | 16,18                    | 1,03     | 0,43           | PHS 16B-1TBH13 |
|       | 14              | 114,15               | B    | 1615           | 14         | 41,3 | 38,0  | 78,0  | 16,18                    | 1,26     | 0,43           | PHS 16B-1TBH14 |
|       | 15              | 122,17               | B    | 1615           | 14         | 41,3 | 38,0  | 76,0  | 16,18                    | 1,40     | 0,43           | PHS 16B-1TBH15 |
|       | 16              | 130,20               | B    | 2012           | 14         | 50,8 | 32,0  | 90,0  | 16,18                    | 1,42     | 0,59           | PHS 16B-1TBH16 |
|       | 17              | 138,22               | B    | 2012           | 14         | 50,8 | 32,0  | 90,0  | 16,18                    | 1,60     | 0,59           | PHS 16B-1TBH17 |
|       | 18              | 146,28               | B    | 2517           | 16         | 63,5 | 45,0  | 108,0 | 16,18                    | 2,09     | 1,30           | PHS 16B-1TBH18 |
|       | 19              | 154,33               | B    | 2517           | 16         | 63,5 | 45,0  | 108,0 | 16,18                    | 2,30     | 1,30           | PHS 16B-1TBH19 |
|       | 20              | 162,38               | B    | 2517           | 16         | 63,5 | 45,0  | 110,0 | 16,18                    | 2,56     | 1,30           | PHS 16B-1TBH20 |
|       | 21              | 170,43               | B    | 2517           | 16         | 63,5 | 45,0  | 110,0 | 16,18                    | 2,80     | 1,30           | PHS 16B-1TBH21 |
|       | 22              | 178,48               | B    | 2517           | 16         | 63,5 | 45,0  | 110,0 | 16,18                    | 3,36     | 1,30           | PHS 16B-1TBH22 |
|       | 23              | 186,53               | B    | 2517           | 16         | 63,5 | 45,0  | 110,0 | 16,18                    | 3,34     | 1,30           | PHS 16B-1TBH23 |
|       | 24              | 194,59               | B    | 2517           | 16         | 63,5 | 45,0  | 110,0 | 16,18                    | 3,66     | 1,30           | PHS 16B-1TBH24 |
|       | 25              | 202,66               | B    | 2517           | 16         | 63,5 | 45,0  | 110,0 | 16,18                    | 3,96     | 1,30           | PHS 16B-1TBH25 |
|       | 26              | 210,72               | B    | 2517           | 16         | 63,5 | 45,0  | 110,0 | 16,18                    | 4,26     | 1,30           | PHS 16B-1TB26  |
|       | 27              | 218,79               | B    | 2517           | 16         | 63,5 | 45,0  | 110,0 | 16,18                    | 4,63     | 1,30           | PHS 16B-1TB27  |
|       | 28              | 226,85               | B    | 2517           | 16         | 63,5 | 45,0  | 140,0 | 16,18                    | 4,97     | 1,30           | PHS 16B-1TB28  |
|       | 29              | 234,92               | B    | 3020           | 25         | 76,2 | 51,0  | 140,0 | 16,18                    | 6,24     | 2,24           | PHS 16B-1TB29  |
|       | 30              | 243,00               | B    | 3020           | 25         | 76,2 | 51,0  | 140,0 | 16,18                    | 6,67     | 2,24           | PHS 16B-1TB30  |
|       | 32              | 259,13               | B    | 3020           | 25         | 76,2 | 51,0  | 140,0 | 16,18                    | 8,37     | 2,24           | PHS 16B-1TB32  |
|       | 35              | 283,36               | B    | 3020           | 25         | 76,2 | 51,0  | 140,0 | 16,18                    | 10,92    | 2,24           | PHS 16B-1TB35  |
|       | 36              | 291,44               | B    | 3020           | 25         | 76,2 | 51,0  | 140,0 | 16,18                    | 11,77    | 2,24           | PHS 16B-1TB36  |
|       | 38              | 307,59               | B    | 3020           | 25         | 76,2 | 51,0  | 140,0 | 16,18                    | 9,49     | 2,24           | PHS 16B-1TB38  |
|       | 40              | 323,75               | B    | 3020           | 25         | 76,2 | 51,0  | 140,0 | 16,18                    | 15,17    | 2,24           | PHS 16B-1TB40  |
|       | 45              | 364,13               | B    | 3020           | 25         | 76,2 | 51,0  | 140,0 | 16,18                    | 11,70    | 2,24           | PHS 16B-1TB45  |
|       | 48              | 388,36               | B    | 3020           | 25         | 76,2 | 51,0  | 140,0 | 16,18                    | 18,91    | 2,24           | PHS 16B-1TB48  |
|       | 54              | 436,85               | B    | 3020           | 25         | 76,2 | 51,0  | 140,0 | 16,18                    | 21,72    | 2,24           | PHS 16B-1TB54  |
|       | 57              | 461,07               | B    | 3020           | 25         | 76,2 | 51,0  | 140,0 | 16,18                    | 15,00    | 2,24           | PHS 16B-1TB57  |
|       | 60              | 485,32               | B    | 3020           | 25         | 76,2 | 51,0  | 140,0 | 16,18                    | 24,52    | 2,24           | PHS 16B-1TB60  |
|       | 64              | 517,65               | B    | 3020           | 25         | 76,2 | 51,0  | 140,0 | 16,18                    | 26,39    | 2,24           | PHS 16B-1TB64  |
| 70    | 566,14          | B                    | 3020 | 25             | 76,2       | 51,0 | 140,0 | 16,18 | 29,20                    | 2,24     | PHS 16B-1TB70  |                |
| 76    | 614,65          | B                    | 3020 | 25             | 76,2       | 51,0 | 140,0 | 16,18 | 23,00                    | 2,24     | PHS 16B-1TB76  |                |
| 80    | 646,96          | B                    | 3020 | 25             | 76,2       | 51,0 | 140,0 | 16,18 | 33,87                    | 2,24     | PHS 16B-1TB80  |                |
| 84    | 679,30          | B                    | 3020 | 25             | 76,2       | 51,0 | 140,0 | 16,18 | 35,74                    | 2,24     | PHS 16B-1TB84  |                |
| 95    | 768,22          | B                    | 3020 | 25             | 76,2       | 51,0 | 140,0 | 16,18 | 40,88                    | 2,24     | PHS 16B-1TB95  |                |
| 114   | 921,81          | B                    | 3020 | 25             | 76,2       | 76,0 | 140,0 | 16,18 | 49,77                    | 2,24     | PHS 16B-1TB114 |                |

<sup>1)</sup> Undercut in hub for chain clearance

All Type B or C sprockets, up to and including 25 tooth, are with hardened teeth as standard.

For any additional size sprockets with hardened teeth, add "H" before the number of teeth, e.g. PHS 08B-1TBH16.

# Metric sprockets, simplex, taper bushed

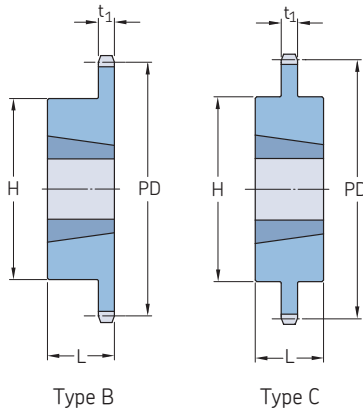
ISO 20B-1 · 31,75 mm pitch | ISO 24B-1 · 38,10 mm pitch | ISO 28B-1 · 44,45 mm pitch

| Pitch | Number of teeth | Pitch diameter | Type   | Bushing number | Dimensions |       |       |       | Plate thickness | Mass Rim | Bushing | Designation    |                |
|-------|-----------------|----------------|--------|----------------|------------|-------|-------|-------|-----------------|----------|---------|----------------|----------------|
|       |                 |                |        |                | Bore       |       | L     | H     |                 |          |         |                |                |
| mm    | –               | mm             | –      | –              | Min.       | Max.  | mm    | mm    | t <sub>1</sub>  | kg       | –       |                |                |
| 31,75 | 11              | 112,70         | B      | 1615           | 14         | 41,3  | 38,0  | 62,7  | 18,59           | 1,22     | 0,43    | PHS 20B-1TBH11 |                |
|       | 12              | 122,67         | B      | 1615           | 14         | 41,3  | 38,0  | 70,6  | 18,59           | 1,41     | 0,43    | PHS 20B-1TBH12 |                |
|       | 13              | 132,67         | B      | 2012           | 14         | 50,8  | 32,0  | 90,0  | 18,59           | 1,45     | 0,59    | PHS 20B-1TBH13 |                |
|       | 14              | 142,68         | B      | 2012           | 14         | 50,8  | 32,0  | 90,5  | 18,59           | 1,63     | 0,59    | PHS 20B-1TBH14 |                |
|       | 15              | 152,71         | B      | 2517           | 16         | 63,5  | 45,0  | 108,0 | 18,59           | 2,31     | 1,30    | PHS 20B-1TBH15 |                |
|       | 16              | 162,75         | B      | 2517           | 16         | 63,5  | 45,0  | 108,0 | 18,59           | 2,72     | 1,30    | PHS 20B-1TBH16 |                |
|       | 17              | 172,79         | B      | 2517           | 16         | 63,5  | 45,0  | 108,0 | 18,59           | 3,27     | 1,30    | PHS 20B-1TBH17 |                |
|       | 18              | 182,84         | B      | 2517           | 16         | 63,5  | 45,0  | 108,0 | 18,59           | 3,63     | 1,30    | PHS 20B-1TBH18 |                |
|       | 19              | 192,90         | B      | 2517           | 16         | 63,5  | 45,0  | 108,0 | 18,59           | 4,09     | 1,30    | PHS 20B-1TBH19 |                |
|       | 20              | 202,96         | B      | 2517           | 16         | 63,5  | 45,0  | 108,0 | 18,59           | 4,40     | 1,30    | PHS 20B-1TBH20 |                |
|       | 21              | 213,03         | B      | 2517           | 16         | 63,5  | 45,0  | 108,0 | 18,59           | 4,54     | 1,30    | PHS 20B-1TBH21 |                |
|       | 22              | 223,10         | B      | 2517           | 16         | 63,5  | 45,0  | 108,0 | 18,59           | 4,77     | 1,30    | PHS 20B-1TBH22 |                |
|       | 23              | 233,17         | B      | 2517           | 16         | 63,5  | 45,0  | 108,0 | 18,59           | 5,58     | 1,30    | PHS 20B-1TBH23 |                |
|       | 24              | 243,25         | B      | 2517           | 16         | 63,5  | 45,0  | 108,0 | 18,59           | 6,13     | 1,30    | PHS 20B-1TBH24 |                |
|       | 25              | 253,32         | B      | 2517           | 16         | 63,5  | 45,0  | 108,0 | 18,59           | 6,95     | 1,30    | PHS 20B-1TBH25 |                |
|       | 26              | 263,41         | B      | 2517           | 16         | 63,5  | 51,0  | 108,0 | 18,59           | 7,35     | 1,30    | PHS 20B-1TB26  |                |
|       | 28              | 283,57         | B      | 3020           | 25         | 76,2  | 51,0  | 150,0 | 18,59           | 7,90     | 2,24    | PHS 20B-1TB28  |                |
|       | 30              | 303,75         | B      | 3020           | 25         | 76,2  | 51,0  | 150,0 | 18,59           | 9,62     | 2,24    | PHS 20B-1TB30  |                |
|       | 32              | 323,92         | B      | 3020           | 25         | 76,2  | 51,0  | 160,0 | 18,59           | 11,03    | 2,24    | PHS 20B-1TB32  |                |
|       | 35              | 354,20         | B      | 3020           | 25         | 76,2  | 51,0  | 160,0 | 18,59           | 13,15    | 2,24    | PHS 20B-1TB35  |                |
|       | 36              | 364,29         | B      | 3020           | 25         | 76,2  | 51,0  | 160,0 | 18,59           | 13,86    | 2,24    | PHS 20B-1TB36  |                |
|       | 38              | 384,48         | B      | 3020           | 25         | 76,2  | 51,0  | 160,0 | 18,59           | 15,98    | 2,24    | PHS 20B-1TB38  |                |
|       | 40              | 404,67         | B      | 3020           | 25         | 76,2  | 51,0  | 160,0 | 18,59           | 19,43    | 2,24    | PHS 20B-1TB40  |                |
|       | 45              | 455,15         | B      | 3020           | 25         | 76,2  | 51,0  | 160,0 | 18,59           | 25,18    | 2,24    | PHS 20B-1TB45  |                |
|       | 48              | 485,45         | B      | 3020           | 25         | 76,2  | 51,0  | 160,0 | 18,59           | 28,62    | 2,24    | PHS 20B-1TB48  |                |
|       | 54              | 546,05         | B      | 3020           | 25         | 76,2  | 51,0  | 160,0 | 18,59           | 35,52    | 2,24    | PHS 20B-1TB54  |                |
|       | 57              | 576,35         | B      | 3020           | 25         | 76,2  | 51,0  | 160,0 | 18,59           | 37,82    | 2,24    | PHS 20B-1TB57  |                |
|       | 60              | 606,66         | B      | 3020           | 25         | 76,2  | 51,0  | 160,0 | 18,59           | 41,27    | 2,24    | PHS 20B-1TB60  |                |
|       | 70              | 707,68         | C      | 3535           | 35         | 88,9  | 51,0  | 160,0 | 24,13           | 51,56    | 5,18    | PHS 20B-1TB70  |                |
|       | 72              | 727,89         | C      | 3535           | 35         | 88,9  | 51,0  | 160,0 | 24,13           | 53,97    | 5,18    | PHS 20B-1TB72  |                |
|       | 76              | 768,30         | C      | 3535           | 35         | 88,9  | 51,0  | 160,0 | 24,13           | 60,33    | 5,18    | PHS 20B-1TB76  |                |
|       | 80              | 808,71         | C      | 3535           | 35         | 88,9  | 51,0  | 160,0 | 24,13           | 66,23    | 5,18    | PHS 20B-1TB80  |                |
|       | 84              | 849,13         | C      | 3535           | 35         | 88,9  | 51,0  | 160,0 | 24,13           | 73,48    | 5,18    | PHS 20B-1TB84  |                |
|       | 90              | 909,76         | C      | 3535           | 35         | 88,9  | 51,0  | 160,0 | 24,13           | 94,33    | 5,18    | PHS 20B-1TB90  |                |
|       | 95              | 960,28         | C      | 3535           | 35         | 88,9  | 51,0  | 160,0 | 24,13           | 96,16    | 5,18    | PHS 20B-1TB95  |                |
|       | 38,10           | 11             | 135,23 | B              | 2012       | 14    | 50,8  | 31,8  | 90,5            | 24,13    | 2,28    | 0,59           | PHS 24B-1TBH11 |
|       |                 | 12             | 147,21 | B              | 2012       | 14    | 50,8  | 31,8  | 90,5            | 24,13    | 2,49    | 0,59           | PHS 24B-1TBH12 |
|       |                 | 13             | 159,20 | B              | 2517       | 16    | 63,5  | 44,5  | 107,9           | 24,13    | 2,77    | 1,30           | PHS 24B-1TBH13 |
|       |                 | 14             | 171,22 | B              | 2517       | 16    | 63,5  | 44,5  | 107,9           | 24,13    | 3,54    | 1,30           | PHS 24B-1TBH14 |
|       |                 | 15             | 183,25 | B              | 2517       | 16    | 63,5  | 44,5  | 107,9           | 24,13    | 4,31    | 1,30           | PHS 24B-1TBH15 |
|       |                 | 16             | 195,29 | B              | 3020       | 25    | 76,2  | 50,8  | 133,4           | 24,13    | 4,77    | 2,24           | PHS 24B-1TBH16 |
|       |                 | 17             | 207,35 | B              | 3020       | 25    | 76,2  | 50,8  | 133,4           | 24,13    | 5,45    | 2,24           | PHS 24B-1TBH17 |
|       |                 | 18             | 219,41 | B              | 3020       | 25    | 76,2  | 50,8  | 133,4           | 24,13    | 6,13    | 2,24           | PHS 24B-1TBH18 |
|       |                 | 19             | 231,48 | B              | 3020       | 25    | 76,2  | 50,8  | 133,4           | 24,13    | 6,81    | 2,24           | PHS 24B-1TBH19 |
|       |                 | 20             | 243,55 | B              | 3020       | 25    | 76,2  | 50,8  | 133,4           | 24,13    | 7,49    | 2,24           | PHS 24B-1TBH20 |
|       |                 | 21             | 255,63 | B              | 3020       | 25    | 76,2  | 50,8  | 133,4           | 24,13    | 7,94    | 2,24           | PHS 24B-1TBH21 |
|       |                 | 22             | 267,72 | B              | 3020       | 25    | 76,2  | 50,8  | 133,4           | 24,13    | 8,75    | 2,24           | PHS 24B-1TBH22 |
|       |                 | 23             | 279,80 | B              | 3020       | 25    | 76,2  | 50,8  | 133,4           | 24,13    | 9,53    | 2,24           | PHS 24B-1TBH23 |
| 24    |                 | 291,90         | B      | 3020           | 25         | 76,2  | 50,8  | 133,4 | 24,13           | 10,67    | 2,24    | PHS 24B-1TBH24 |                |
| 25    |                 | 303,99         | B      | 3020           | 25         | 76,2  | 50,8  | 133,4 | 24,13           | 11,80    | 2,24    | PHS 24B-1TBH25 |                |
| 26    |                 | 316,09         | B      | 3020           | 25         | 76,2  | 50,8  | 133,4 | 24,13           | 12,93    | 2,24    | PHS 24B-1TB26  |                |
| 27    |                 | 328,19         | B      | 3020           | 25         | 76,2  | 50,8  | 133,4 | 24,13           | 13,50    | 2,24    | PHS 24B-1TB27  |                |
| 28    |                 | 340,29         | B      | 3020           | 25         | 76,2  | 50,8  | 133,4 | 24,13           | 14,70    | 2,24    | PHS 24B-1TB28  |                |
| 29    |                 | 352,29         | B      | 3020           | 25         | 76,2  | 50,8  | 133,4 | 24,13           | 14,75    | 2,24    | PHS 24B-1TB29  |                |
| 30    |                 | 364,49         | B      | 3020           | 25         | 76,2  | 50,8  | 133,4 | 24,13           | 15,20    | 2,24    | PHS 24B-1TB30  |                |
| 32    |                 | 388,71         | B      | 3020           | 25         | 76,2  | 50,8  | 133,4 | 24,13           | 15,76    | 2,24    | PHS 24B-1TB32  |                |
| 38    |                 | 461,37         | B      | 3030           | 35         | 76,2  | 76,2  | 139,7 | 24,13           | 24,97    | 3,04    | PHS 24B-1TB38  |                |
| 40    |                 | 485,60         | C      | 3030           | 35         | 76,2  | 76,2  | 139,7 | 24,13           | 28,46    | 3,04    | PHS 24B-1TB40  |                |
| 42    |                 | 509,83         | C      | 3030           | 35         | 76,2  | 76,2  | 139,7 | 24,13           | 31,95    | 3,04    | PHS 24B-1TB42  |                |
| 45    |                 | 546,19         | C      | 3030           | 35         | 76,2  | 76,2  | 139,7 | 24,13           | 37,19    | 3,04    | PHS 24B-1TB45  |                |
| 48    |                 | 582,54         | C      | 3030           | 35         | 76,2  | 76,2  | 139,7 | 24,13           | 42,43    | 3,04    | PHS 24B-1TB48  |                |
| 50    |                 | 606,78         | C      | 3030           | 35         | 76,2  | 76,2  | 139,7 | 24,13           | 45,92    | 3,04    | PHS 24B-1TB50  |                |
| 54    |                 | 655,26         | C      | 3535           | 35         | 88,9  | 88,9  | 165,1 | 24,13           | 63,32    | 5,18    | PHS 24B-1TB54  |                |
| 57    |                 | 691,62         | C      | 3535           | 35         | 88,9  | 88,9  | 165,1 | 24,13           | 71,46    | 5,18    | PHS 24B-1TB57  |                |
| 60    |                 | 727,99         | C      | 3535           | 35         | 88,9  | 88,9  | 165,1 | 24,13           | 79,60    | 5,18    | PHS 24B-1TB60  |                |
| 68    |                 | 824,97         | C      | 3535           | 35         | 88,9  | 88,9  | 165,1 | 24,13           | 101,31   | 5,18    | PHS 24B-1TB68  |                |
| 72    |                 | 873,46         | C      | 3535           | 35         | 88,9  | 88,9  | 165,1 | 24,13           | 112,17   | 5,18    | PHS 24B-1TB72  |                |
| 76    |                 | 921,96         | C      | 3535           | 35         | 88,9  | 88,9  | 165,1 | 24,13           | 123,02   | 5,18    | PHS 24B-1TB76  |                |
| 95    |                 | 1 152,33       | C      | 4040           | 40         | 101,6 | 101,6 | 196,9 | 24,13           | 196,67   | 8,27    | PHS 24B-1TB95  |                |
| 96    |                 | 1 164,46       | C      | 4040           | 40         | 101,6 | 101,6 | 196,9 | 24,13           | 201,03   | 8,27    | PHS 24B-1TB96  |                |
| 114   |                 | 1 382,72       | C      | 4040           | 40         | 101,6 | 101,6 | 196,9 | 24,13           | 279,50   | 8,27    | PHS 24B-1TB114 |                |
| 44,45 |                 | 11             | 157,77 | B              | 2517       | 16    | 63,5  | 44,5  | 107,9           | 29,44    | 3,53    | 1,30           | PHS 28B-1TBH11 |
|       |                 | 12             | 171,74 | B              | 2517       | 16    | 63,5  | 44,5  | 107,9           | 29,44    | 3,86    | 1,30           | PHS 28B-1TBH12 |

<sup>1)</sup> Undercut in hub for chain clearance  
 All Type B or C sprockets, up to and including 25 tooth, are with hardened teeth as standard.  
 For any additional size sprockets with hardened teeth, add "H" before the number of teeth, e.g. PHS 08B-1TBH16.

Metric sprockets, simplex, taper bushed

ISO 28B-1 · 44,45 mm pitch | ISO 32B-1 · 50,80 mm pitch



| Pitch | Number of teeth | Pitch diameter<br>PD | Type | Bushing number | Dimensions |       |       |       | Plate thickness<br>t <sub>1</sub> | Mass<br>Rim | Bushing       | Designation    |
|-------|-----------------|----------------------|------|----------------|------------|-------|-------|-------|-----------------------------------|-------------|---------------|----------------|
|       |                 |                      |      |                | Bore       |       | L     | H     |                                   |             |               |                |
| mm    | -               | mm                   | -    | -              | mm         | Min.  | Max.  | L     | H                                 | mm          | kg            | -              |
| 44,45 | 13              | 185,75               | B    | 3020           | 25         | 76,2  | 50,8  | 133,4 | 29,44                             | 5,90        | 2,24          | PHS 28B-1TBH13 |
|       | 14              | 199,76               | B    | 3020           | 25         | 76,2  | 50,8  | 133,4 | 29,44                             | 7,04        | 2,24          | PHS 28B-1TBH14 |
|       | 15              | 213,79               | B    | 3020           | 25         | 76,2  | 50,8  | 133,4 | 29,44                             | 8,17        | 2,24          | PHS 28B-1TBH15 |
|       | 16              | 227,84               | B    | 3020           | 25         | 76,2  | 50,8  | 133,4 | 29,44                             | 9,76        | 2,24          | PHS 28B-1TBH16 |
|       | 17              | 241,91               | B    | 3020           | 25         | 76,2  | 50,8  | 133,4 | 29,44                             | 11,35       | 2,24          | PHS 28B-1TBH17 |
|       | 18              | 255,98               | B    | 3020           | 25         | 76,2  | 50,8  | 133,4 | 29,44                             | 12,49       | 2,24          | PHS 28B-1TBH18 |
|       | 19              | 270,06               | B    | 3020           | 25         | 76,2  | 50,8  | 133,4 | 29,44                             | 13,62       | 2,24          | PHS 28B-1TBH19 |
|       | 20              | 284,15               | B    | 3020           | 25         | 76,2  | 50,8  | 133,4 | 29,44                             | 14,30       | 2,24          | PHS 28B-1TBH20 |
|       | 21              | 298,24               | B    | 3020           | 25         | 76,2  | 50,8  | 133,4 | 29,44                             | 14,98       | 2,24          | PHS 28B-1TBH21 |
|       | 22              | 312,34               | B    | 3020           | 25         | 76,2  | 50,8  | 133,4 | 29,44                             | 16,91       | 2,24          | PHS 28B-1TBH22 |
|       | 23              | 326,44               | B    | 3020           | 25         | 76,2  | 50,8  | 133,4 | 29,44                             | 18,84       | 2,24          | PHS 28B-1TBH23 |
|       | 24              | 340,55               | B    | 3020           | 25         | 76,2  | 50,8  | 133,4 | 29,44                             | 20,77       | 2,24          | PHS 28B-1TBH24 |
|       | 25              | 354,66               | B    | 3020           | 25         | 76,2  | 50,8  | 133,4 | 29,44                             | 22,70       | 2,24          | PHS 28B-1TBH25 |
|       | 26              | 368,77               | B    | 3020           | 25         | 76,2  | 50,8  | 133,4 | 29,44                             | 24,63       | 2,24          | PHS 28B-1TB26  |
|       | 27              | 382,88               | B    | 3020           | 25         | 76,2  | 50,8  | 133,4 | 29,44                             | 26,56       | 2,24          | PHS 28B-1TB27  |
|       | 28              | 397,00               | B    | 3020           | 25         | 76,2  | 50,8  | 133,4 | 29,44                             | 28,49       | 2,24          | PHS 28B-1TB28  |
|       | 30              | 425,24               | B    | 3020           | 25         | 76,2  | 50,8  | 133,4 | 29,44                             | 32,35       | 2,24          | PHS 28B-1TB30  |
|       | 32              | 453,49               | B    | 3020           | 25         | 76,2  | 50,8  | 133,4 | 29,44                             | 36,21       | 2,24          | PHS 28B-1TB32  |
|       | 38              | 538,27               | B    | 3535           | 35         | 88,9  | 88,9  | 165,1 | 29,44                             | 45,40       | 3,56          | PHS 28B-1TB38  |
|       | 40              | 566,54               | C    | 3535           | 35         | 88,9  | 88,9  | 165,1 | 29,44                             | 47,79       | 3,56          | PHS 28B-1TB40  |
|       | 42              | 594,82               | C    | 3535           | 35         | 88,9  | 88,9  | 165,1 | 29,44                             | 50,18       | 3,56          | PHS 28B-1TB42  |
|       | 45              | 637,22               | C    | 4040           | 40         | 101,6 | 101,6 | 219,1 | 29,44                             | 57,35       | 8,27          | PHS 28B-1TB45  |
|       | 48              | 679,63               | C    | 4040           | 40         | 101,6 | 101,6 | 219,1 | 29,44                             | 61,17       | 8,27          | PHS 28B-1TB48  |
|       | 54              | 764,46               | C    | 4040           | 40         | 101,6 | 101,6 | 219,1 | 29,44                             | 68,82       | 8,27          | PHS 28B-1TB54  |
|       | 57              | 806,90               | C    | 4040           | 40         | 101,6 | 101,6 | 219,1 | 29,44                             | 72,64       | 8,27          | PHS 28B-1TB57  |
|       | 60              | 849,32               | C    | 4040           | 40         | 101,6 | 101,6 | 219,1 | 29,44                             | 76,44       | 8,27          | PHS 28B-1TB60  |
|       | 68              | 962,46               | C    | 4040           | 40         | 101,6 | 101,6 | 219,1 | 29,44                             | 86,63       | 8,27          | PHS 28B-1TB68  |
| 72    | 1 019,05        | C                    | 4040 | 40             | 101,6      | 101,6 | 219,1 | 29,44 | 91,73                             | 8,27        | PHS 28B-1TB72 |                |
| 76    | 1 075,62        | C                    | 4040 | 40             | 101,6      | 101,6 | 219,1 | 29,44 | 96,83                             | 8,27        | PHS 28B-1TB76 |                |
| 95    | 1 344,37        | C                    | 4040 | 40             | 101,6      | 101,6 | 219,1 | 29,44 | 121,03                            | 8,27        | PHS 28B-1TB95 |                |
| 50,80 | 11              | 180,34               | B    | 2517           | 16         | 63,5  | 44,5  | 107,9 | 29,44                             | 4,51        | 1,30          | PHS 32B-1TBH11 |
|       | 12              | 196,29               | B    | 3020           | 25         | 76,2  | 50,8  | 133,4 | 29,44                             | 5,27        | 2,24          | PHS 32B-1TBH12 |
|       | 13              | 212,29               | B    | 3020           | 25         | 76,2  | 50,8  | 133,4 | 29,44                             | 6,38        | 2,24          | PHS 32B-1TBH13 |
|       | 14              | 228,29               | B    | 3020           | 25         | 76,2  | 50,8  | 133,4 | 29,44                             | 6,87        | 2,24          | PHS 32B-1TBH14 |
|       | 15              | 244,30               | B    | 3535           | 35         | 88,9  | 88,9  | 165,1 | 29,44                             | 11,80       | 5,18          | PHS 32B-1TBH15 |
|       | 16              | 260,40               | B    | 3535           | 35         | 88,9  | 88,9  | 165,1 | 29,44                             | 13,38       | 5,18          | PHS 32B-1TBH16 |
|       | 17              | 276,40               | B    | 3535           | 35         | 88,9  | 88,9  | 165,1 | 29,44                             | 14,98       | 5,18          | PHS 32B-1TBH17 |
|       | 18              | 292,55               | B    | 3535           | 35         | 88,9  | 88,9  | 165,1 | 29,44                             | 16,12       | 5,18          | PHS 32B-1TBH18 |
|       | 19              | 308,66               | B    | 3535           | 35         | 88,9  | 88,9  | 165,1 | 29,44                             | 17,25       | 5,18          | PHS 32B-1TBH19 |
|       | 20              | 324,71               | B    | 3535           | 35         | 88,9  | 88,9  | 165,1 | 29,44                             | 21,10       | 5,18          | PHS 32B-1TBH20 |
|       | 21              | 340,82               | B    | 3535           | 35         | 88,9  | 88,9  | 165,1 | 29,44                             | 24,94       | 5,18          | PHS 32B-1TBH21 |
|       | 22              | 356,98               | B    | 3535           | 35         | 88,9  | 88,9  | 165,1 | 29,44                             | 27,79       | 5,18          | PHS 32B-1TBH22 |
|       | 23              | 373,08               | B    | 3535           | 35         | 88,9  | 88,9  | 165,1 | 29,44                             | 30,64       | 5,18          | PHS 32B-1TBH23 |
|       | 24              | 389,18               | B    | 3535           | 35         | 88,9  | 88,9  | 165,1 | 29,44                             | 33,48       | 5,18          | PHS 32B-1TBH24 |
|       | 25              | 405,33               | B    | 3535           | 35         | 88,9  | 88,9  | 165,1 | 29,44                             | 36,32       | 5,18          | PHS 32B-1TBH25 |
|       | 26              | 421,44               | B    | 3535           | 35         | 88,9  | 88,9  | 165,1 | 29,44                             | 39,16       | 5,18          | PHS 32B-1TB26  |
|       | 27              | 437,59               | B    | 3535           | 35         | 88,9  | 88,9  | 165,1 | 29,44                             | 42,00       | 5,18          | PHS 32B-1TB27  |
|       | 28              | 453,69               | B    | 3535           | 35         | 88,9  | 88,9  | 165,1 | 29,44                             | 44,84       | 5,18          | PHS 32B-1TB28  |
|       | 30              | 486,00               | B    | 3535           | 35         | 88,9  | 88,9  | 165,1 | 29,44                             | 50,52       | 5,18          | PHS 32B-1TB30  |
|       | 32              | 518,26               | B    | 3535           | 35         | 88,9  | 88,9  | 165,1 | 29,44                             | 56,20       | 5,18          | PHS 32B-1TB32  |
|       | 38              | 615,14               | B    | 4040           | 40         | 101,6 | 101,6 | 219,1 | 29,44                             | 68,10       | 8,27          | PHS 32B-1TB38  |
|       | 40              | 647,49               | C    | 4040           | 40         | 101,6 | 101,6 | 219,1 | 29,44                             | 77,08       | 8,27          | PHS 32B-1TB40  |
|       | 45              | 728,26               | C    | 4040           | 40         | 101,6 | 101,6 | 219,1 | 29,44                             | 99,53       | 8,27          | PHS 32B-1TB45  |
|       | 48              | 776,72               | C    | 4040           | 40         | 101,6 | 101,6 | 219,1 | 29,44                             | 113,01      | 8,27          | PHS 32B-1TB48  |

<sup>1)</sup> Undercut in hub for chain clearance

All Type B or C sprockets, up to and including 25 tooth, are with hardened teeth as standard.

For any additional size sprockets with hardened teeth, add "H" before the number of teeth, e.g. PHS 08B-1TBH16.

## Metric sprockets, simplex, taper bushed

ISO 32B-1 · 50,80 mm pitch

| Pitch | Number of teeth | Pitch diameter<br>PD | Type | Bushing number | Dimensions |       |       |       | Plate thickness<br>$t_1$ | Mass Rim | Bushing | Designation   |
|-------|-----------------|----------------------|------|----------------|------------|-------|-------|-------|--------------------------|----------|---------|---------------|
|       |                 |                      |      |                | Bore       |       | L     | H     |                          |          |         |               |
| mm    | –               | mm                   | –    | –              | mm         | Min.  | Max.  |       |                          |          | –       |               |
| 50,80 | 54              | 873,68               | C    | 4040           | 40         | 101,6 | 114,3 | 219,1 | 29,44                    | 139,95   | 8,27    | PHS 32B-1TB54 |
|       | 57              | 922,17               | C    | 4545           | 55         | 114,3 | 114,3 | 247,7 | 29,44                    | 136,20   | 9,99    | PHS 32B-1TB57 |
|       | 60              | 970,63               | C    | 4545           | 55         | 114,3 | 114,3 | 247,7 | 29,44                    | 158,84   | 9,99    | PHS 32B-1TB60 |
|       | 64              | 1 035,30             | C    | 4545           | 55         | 114,3 | 114,3 | 247,7 | 29,44                    | 189,03   | 9,99    | PHS 32B-1TB64 |
|       | 70              | 1 132,29             | C    | 4545           | 55         | 114,3 | 114,3 | 247,7 | 29,44                    | 234,32   | 9,99    | PHS 32B-1TB70 |

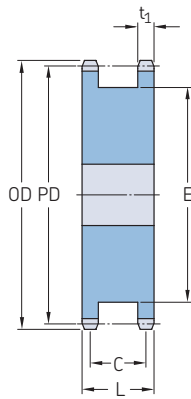
<sup>1)</sup> Undercut in hub for chain clearance

All Type B or C sprockets, up to and including 25 tooth, are with hardened teeth as standard.

For any additional size sprockets with hardened teeth, add "H" before the number of teeth, e.g. PHS 08B-1TBH16.

**Metric sprockets, double simplex, pilot bore**

ISO 06B-1 · 9,525 mm pitch | ISO 08B-1 · 12,70 mm pitch | ISO 10B-1 · 15,88 mm pitch | ISO 12B-1 · 19,05 mm pitch



Type A

| Pitch | Number of teeth | Diameters Outside |        | Pitch | Type  | Dimensions Bore |      |      | Plate thickness t <sub>1</sub> | Mass  | Designation    |                |
|-------|-----------------|-------------------|--------|-------|-------|-----------------|------|------|--------------------------------|-------|----------------|----------------|
|       |                 | OD                | PD     |       |       | Min.            | Max. | L    |                                |       |                | C              |
| mm    | -               | mm                |        | -     | -     | mm              |      |      | -                              | kg    | -              |                |
| 9,525 | 14              | 46,30             | 42,80  | A     | 10    | 20,00           | 25,5 | 20,3 | 31                             | 5,31  | 0,17           | PHS 06B-1DSA14 |
|       | 15              | 49,30             | 45,81  | A     | 10    | 23,00           | 25,5 | 20,3 | 34                             | 5,31  | 0,20           | PHS 06B-1DSA15 |
|       | 16              | 52,30             | 48,82  | A     | 10    | 25,00           | 25,5 | 20,3 | 37                             | 5,31  | 0,23           | PHS 06B-1DSA16 |
|       | 17              | 55,30             | 51,83  | A     | 12    | 27,00           | 25,5 | 20,3 | 40                             | 5,31  | 0,27           | PHS 06B-1DSA17 |
|       | 18              | 58,30             | 54,85  | A     | 12    | 29,00           | 25,5 | 20,3 | 43                             | 5,31  | 0,30           | PHS 06B-1DSA18 |
|       | 19              | 61,30             | 57,87  | A     | 12    | 31,00           | 25,5 | 20,3 | 46                             | 5,31  | 0,35           | PHS 06B-1DSA19 |
|       | 20              | 64,30             | 60,89  | A     | 12    | 33,00           | 25,5 | 20,3 | 48                             | 5,31  | 0,39           | PHS 06B-1DSA20 |
|       | 21              | 68,00             | 63,91  | A     | 15    | 35,00           | 25,5 | 20,3 | 52                             | 5,31  | 0,44           | PHS 06B-1DSA21 |
|       | 22              | 71,00             | 66,93  | A     | 15    | 36,00           | 25,5 | 20,3 | 55                             | 5,31  | 0,50           | PHS 06B-1DSA22 |
|       | 23              | 73,50             | 69,95  | A     | 15    | 38,00           | 25,5 | 20,3 | 59                             | 5,31  | 0,55           | PHS 06B-1DSA23 |
| 24    | 77,00           | 72,97             | A      | 15    | 40,00 | 25,5            | 20,3 | 61   | 5,31                           | 0,61  | PHS 06B-1DSA24 |                |
| 25    | 80,00           | 76,02             | A      | 15    | 43,00 | 25,5            | 20,3 | 65   | 5,31                           | 0,67  | PHS 06B-1DSA25 |                |
| 12,70 | 12              | 53,00             | 49,07  | A     | 10    | 24,00           | 32,0 | 24,8 | 35                             | 7,20  | 0,35           | PHS 08B-1DSA12 |
|       | 13              | 57,40             | 53,06  | A     | 10    | 26,00           | 32,0 | 24,8 | 37                             | 7,20  | 0,41           | PHS 08B-1DSA13 |
|       | 14              | 61,80             | 57,07  | A     | 10    | 27,00           | 32,0 | 24,8 | 41                             | 7,20  | 0,49           | PHS 08B-1DSA14 |
|       | 15              | 65,50             | 61,09  | A     | 10    | 30,00           | 32,0 | 24,8 | 45                             | 7,20  | 0,55           | PHS 08B-1DSA15 |
|       | 16              | 69,50             | 65,10  | A     | 12    | 34,00           | 32,0 | 24,8 | 50                             | 7,20  | 0,64           | PHS 08B-1DSA16 |
|       | 17              | 73,60             | 69,11  | A     | 12    | 36,00           | 32,0 | 24,8 | 53                             | 7,20  | 0,73           | PHS 08B-1DSA17 |
|       | 18              | 77,80             | 73,14  | A     | 12    | 38,00           | 32,0 | 24,8 | 58                             | 7,20  | 0,82           | PHS 08B-1DSA18 |
|       | 19              | 81,70             | 77,16  | A     | 12    | 41,00           | 32,0 | 24,8 | 62                             | 7,20  | 1,00           | PHS 08B-1DSA19 |
|       | 20              | 85,80             | 81,18  | A     | 12    | 44,00           | 32,0 | 24,8 | 66                             | 7,20  | 1,18           | PHS 08B-1DSA20 |
|       | 21              | 89,70             | 85,22  | A     | 15    | 46,00           | 32,0 | 24,8 | 70                             | 7,20  | 1,32           | PHS 08B-1DSA21 |
| 22    | 93,80           | 89,24             | A      | 15    | 48,00 | 32,0            | 24,8 | 74   | 7,20                           | 1,36  | PHS 08B-1DSA22 |                |
| 23    | 98,20           | 93,27             | A      | 15    | 52,00 | 32,0            | 24,8 | 78   | 7,20                           | 1,59  | PHS 08B-1DSA23 |                |
| 24    | 101,80          | 97,29             | A      | 15    | 54,00 | 32,0            | 24,8 | 82   | 7,20                           | 1,70  | PHS 08B-1DSA24 |                |
| 25    | 105,80          | 101,33            | A      | 15    | 57,00 | 32,0            | 24,8 | 86   | 7,20                           | 1,82  | PHS 08B-1DSA25 |                |
| 15,88 | 12              | 68,00             | 61,34  | A     | 15    | 30,00           | 42,0 | 27,9 | 45                             | 9,10  | 0,59           | PHS 10B-1DSA12 |
|       | 13              | 73,00             | 66,32  | A     | 15    | 34,00           | 42,0 | 27,9 | 48                             | 9,10  | 0,70           | PHS 10B-1DSA13 |
|       | 14              | 78,00             | 71,34  | A     | 15    | 36,00           | 42,0 | 27,9 | 55                             | 9,10  | 0,83           | PHS 10B-1DSA14 |
|       | 15              | 83,00             | 76,36  | A     | 15    | 40,00           | 42,0 | 27,9 | 58                             | 9,10  | 0,95           | PHS 10B-1DSA15 |
|       | 16              | 88,00             | 81,37  | A     | 15    | 42,00           | 42,0 | 27,9 | 64                             | 9,10  | 1,09           | PHS 10B-1DSA16 |
|       | 17              | 93,00             | 86,39  | A     | 15    | 44,00           | 42,0 | 27,9 | 68                             | 9,10  | 1,32           | PHS 10B-1DSA17 |
|       | 18              | 98,00             | 91,42  | A     | 15    | 47,00           | 42,0 | 27,9 | 73                             | 9,10  | 1,50           | PHS 10B-1DSA18 |
|       | 19              | 103,30            | 96,45  | A     | 19    | 52,00           | 42,0 | 27,9 | 79                             | 9,10  | 1,68           | PHS 10B-1DSA19 |
|       | 20              | 108,40            | 101,49 | A     | 19    | 57,00           | 42,0 | 27,9 | 83                             | 9,10  | 1,91           | PHS 10B-1DSA20 |
|       | 21              | 113,40            | 106,52 | A     | 19    | 57,00           | 42,0 | 27,9 | 89                             | 9,10  | 2,18           | PHS 10B-1DSA21 |
| 22    | 118,00          | 111,55            | A      | 19    | 61,00 | 42,0            | 27,9 | 93   | 9,10                           | 2,41  | PHS 10B-1DSA22 |                |
| 23    | 123,40          | 116,58            | A      | 19    | 65,00 | 42,0            | 27,9 | 99   | 9,10                           | 2,64  | PHS 10B-1DSA23 |                |
| 24    | 128,30          | 121,62            | A      | 19    | 69,00 | 42,0            | 27,9 | 103  | 9,10                           | 2,86  | PHS 10B-1DSA24 |                |
| 25    | 134,00          | 126,66            | A      | 19    | 72,00 | 42,0            | 27,9 | 109  | 9,10                           | 3,16  | PHS 10B-1DSA25 |                |
| 19,05 | 12              | 81,50             | 73,61  | A     | 20    | 35,00           | 45,0 | 33,9 | 53                             | 11,10 | 1,08           | PHS 12B-1DSA12 |
|       | 13              | 87,50             | 79,59  | A     | 20    | 38,00           | 45,0 | 33,9 | 59                             | 11,10 | 1,29           | PHS 12B-1DSA13 |
|       | 14              | 93,60             | 85,62  | A     | 20    | 42,00           | 45,0 | 33,9 | 65                             | 11,10 | 1,52           | PHS 12B-1DSA14 |
|       | 15              | 99,80             | 91,61  | A     | 20    | 38,00           | 45,0 | 33,9 | 71                             | 11,10 | 1,73           | PHS 12B-1DSA15 |
|       | 16              | 105,50            | 97,63  | A     | 20    | 46,00           | 45,0 | 33,9 | 77                             | 11,10 | 2,09           | PHS 12B-1DSA16 |
|       | 17              | 111,50            | 103,67 | A     | 20    | 55,00           | 45,0 | 33,9 | 71                             | 11,10 | 2,41           | PHS 12B-1DSA17 |
|       | 18              | 118,00            | 109,71 | A     | 20    | 58,00           | 45,0 | 33,9 | 88                             | 11,10 | 2,95           | PHS 12B-1DSA18 |
|       | 19              | 124,20            | 115,75 | A     | 20    | 62,00           | 45,0 | 33,9 | 71                             | 11,10 | 3,09           | PHS 12B-1DSA19 |
|       | 20              | 129,70            | 121,78 | A     | 24    | 65,00           | 45,0 | 33,9 | 100                            | 11,10 | 3,30           | PHS 12B-1DSA20 |
|       | 21              | 136,00            | 127,82 | A     | 24    | 70,00           | 45,0 | 33,9 | 71                             | 11,10 | 3,62           | PHS 12B-1DSA21 |
| 22    | 141,80          | 133,86            | A      | 24    | 73,00 | 45,0            | 33,9 | 112  | 11,10                          | 4,00  | PHS 12B-1DSA22 |                |
| 23    | 149,00          | 139,90            | A      | 24    | 77,00 | 45,0            | 33,9 | 71   | 11,10                          | 4,60  | PHS 12B-1DSA23 |                |
| 24    | 153,90          | 145,94            | A      | 24    | 81,00 | 45,0            | 33,9 | 124  | 11,10                          | 4,95  | PHS 12B-1DSA24 |                |

All Type B or C sprockets, up to and including 25 tooth, are with hardened teeth as standard.  
For any additional size sprockets with hardened teeth, add "H" before the number of teeth, e.g. PHS 06B-1DSA14H.



## Metric sprockets, double simplex, pilot bore

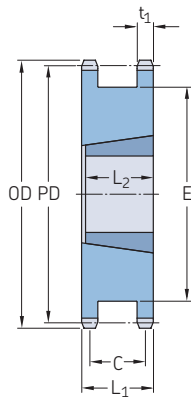
ISO 12B-1 · 19,05 mm pitch | ISO 16B-1 · 25,40 mm pitch | ISO 20B-1 · 31,75 mm pitch

| Pitch | Number of teeth | Diameters |        | Type | Dimensions |        |      | L    | C     | E     | Plate thickness<br>$t_1$ | Mass           | Designation    |
|-------|-----------------|-----------|--------|------|------------|--------|------|------|-------|-------|--------------------------|----------------|----------------|
|       |                 | Outside   | Pitch  |      | Bore       |        |      |      |       |       |                          |                |                |
|       |                 | OD        | PD     |      | Min.       | Max.   |      |      |       |       |                          |                |                |
| mm    | –               | mm        |        | –    | mm         |        |      |      |       |       |                          | kg             | –              |
| 19,05 | 25              | 160,30    | 151,94 | A    | 24         | 85,00  | 45,0 | 33,9 | 71    | 11,10 | 5,30                     |                | PHS 12B-1DSA25 |
| 25,40 | 12              | 109,00    | 98,14  | A    | 24         | 46,00  | 64,0 | 47,8 | 72    | 16,20 | 2,48                     |                | PHS 16B-1DSA12 |
|       | 13              | 117,00    | 106,12 | A    | 24         | 50,00  | 64,0 | 47,8 | 78    | 16,20 | 3,09                     |                | PHS 16B-1DSA13 |
|       | 14              | 125,00    | 114,15 | A    | 24         | 57,00  | 64,0 | 47,8 | 84    | 16,20 | 3,70                     |                | PHS 16B-1DSA14 |
|       | 15              | 133,00    | 122,17 | A    | 24         | 60,00  | 64,0 | 47,8 | 95    | 16,20 | 4,35                     |                | PHS 16B-1DSA15 |
|       | 16              | 141,00    | 130,20 | A    | 24         | 68,00  | 64,0 | 47,8 | 101   | 16,20 | 5,00                     |                | PHS 16B-1DSA16 |
|       | 17              | 149,00    | 138,22 | A    | 24         | 71,00  | 64,0 | 47,8 | 111   | 16,20 | 5,75                     |                | PHS 16B-1DSA17 |
|       | 18              | 157,00    | 146,28 | A    | 24         | 79,00  | 64,0 | 47,8 | 117   | 16,20 | 6,50                     |                | PHS 16B-1DSA18 |
|       | 19              | 165,20    | 154,33 | A    | 24         | 82,00  | 64,0 | 47,8 | 127   | 16,20 | 7,40                     |                | PHS 16B-1DSA19 |
|       | 20              | 173,20    | 162,38 | A    | 24         | 88,00  | 64,0 | 47,8 | 134   | 16,20 | 8,30                     |                | PHS 16B-1DSA20 |
|       | 21              | 181,20    | 170,43 | A    | 24         | 95,00  | 64,0 | 47,8 | 143   | 16,20 | 9,20                     |                | PHS 16B-1DSA21 |
|       | 22              | 189,30    | 178,48 | A    | 24         | 100,00 | 64,0 | 47,8 | 151   | 16,20 | 10,15                    |                | PHS 16B-1DSA22 |
|       | 23              | 197,50    | 186,59 | A    | 24         | 107,00 | 64,0 | 47,8 | 160   | 16,20 | 11,20                    |                | PHS 16B-1DSA23 |
|       | 24              | 205,50    | 194,59 | A    | 24         | 111,00 | 64,0 | 47,8 | 168   | 16,20 | 12,80                    |                | PHS 16B-1DSA24 |
| 25    | 213,50          | 178,49    | A      | 24   | 115,00     | 64,0   | 47,8 | 176  | 16,20 | 14,40 |                          | PHS 16B-1DSA25 |                |
| 31,75 | 13              | 147,83    | 132,66 | A    | 25         | 63,50  | 68,3 | 49,8 | 96    | 18,50 | 5,09                     |                | PHS 20B-1DSA13 |
|       | 14              | 158,24    | 142,67 | A    | 25         | 69,85  | 68,3 | 49,8 | 106   | 18,50 | 6,14                     |                | PHS 20B-1DSA14 |
|       | 15              | 168,40    | 152,70 | A    | 32         | 77,79  | 68,3 | 49,8 | 116   | 18,50 | 7,64                     |                | PHS 20B-1DSA15 |
|       | 16              | 178,56    | 162,74 | A    | 32         | 82,55  | 68,3 | 49,8 | 114   | 18,50 | 8,77                     |                | PHS 20B-1DSA16 |
|       | 17              | 188,98    | 172,80 | A    | 32         | 92,08  | 68,3 | 49,8 | 124   | 18,50 | 9,77                     |                | PHS 20B-1DSA17 |
|       | 18              | 199,14    | 182,83 | A    | 32         | 95,25  | 68,3 | 49,8 | 134   | 18,50 | 10,45                    |                | PHS 20B-1DSA18 |
|       | 19              | 209,30    | 192,91 | A    | 32         | 106,36 | 68,3 | 49,8 | 157   | 18,50 | 11,36                    |                | PHS 20B-1DSA19 |
|       | 20              | 219,46    | 202,97 | A    | 32         | 106,36 | 68,3 | 49,8 | 167   | 18,50 | 12,05                    |                | PHS 20B-1DSA20 |
|       | 21              | 229,62    | 213,03 | A    | 32         | 133,35 | 68,3 | 49,8 | 177   | 18,50 | 13,18                    |                | PHS 20B-1DSA21 |

All Type B or C sprockets, up to and including 25 tooth, are with hardened teeth as standard.  
For any additional size sprockets with hardened teeth, add "H" before the number of teeth, e.g. PHS 06B-1DSA14.

**Metric sprockets, double simplex, taper bushed**

ISO 06B-1 · 9,525 mm pitch | ISO 08B-1 · 12,70 mm pitch | ISO 10B-1 · 15,88 mm pitch | ISO 12B-1 · 19,05 mm pitch | ISO 16B-1 · 25,40 mm pitch



Type A

| Pitch | Number of teeth | Diameters  |          | Type  | Bushing number | Dimensions Bore |      | L <sub>1</sub> | C     | E     | L <sub>2</sub> | Plate thickness t <sub>1</sub> | Mass <sup>1)</sup> | Designation      |                  |
|-------|-----------------|------------|----------|-------|----------------|-----------------|------|----------------|-------|-------|----------------|--------------------------------|--------------------|------------------|------------------|
|       |                 | Outside OD | Pitch PD |       |                | Min.            | Max. |                |       |       |                |                                |                    |                  |                  |
| mm    | -               | mm         | mm       | -     | -              | mm              | mm   | mm             | mm    | mm    | mm             | mm                             | kg                 | -                |                  |
| 9,525 | 18              | 58,30      | 54,85    | A     | 1008           | 9               | 25   | 23,5           | 18,17 | 43    | 22,2           | 5,31                           | 0,19               | PHS 06B-1DSTBH18 |                  |
|       | 19              | 61,30      | 57,87    | A     | 1008           | 9               | 25   | 23,5           | 18,17 | 46    | 22,2           | 5,31                           | 0,23               | PHS 06B-1DSTBH19 |                  |
|       | 20              | 64,30      | 60,89    | A     | 1108           | 9               | 28   | 23,5           | 18,17 | 48    | 22,2           | 5,31                           | 0,25               | PHS 06B-1DSTBH20 |                  |
|       | 21              | 68,00      | 63,91    | A     | 1108           | 9               | 28   | 23,5           | 18,17 | 52    | 22,2           | 5,31                           | 0,31               | PHS 06B-1DSTBH21 |                  |
|       | 22              | 71,00      | 66,93    | A     | 1108           | 9               | 28   | 23,5           | 18,17 | 55    | 22,2           | 5,31                           | 0,36               | PHS 06B-1DSTBH22 |                  |
|       | 23              | 73,50      | 69,95    | A     | 1108           | 9               | 28   | 23,5           | 18,17 | 58    | 22,2           | 5,31                           | 0,41               | PHS 06B-1DSTBH23 |                  |
|       | 24              | 77,00      | 72,97    | A     | 1108           | 9               | 28   | 23,5           | 18,17 | 61    | 22,2           | 5,31                           | 0,47               | PHS 06B-1DSTBH24 |                  |
|       | 25              | 80,00      | 76,02    | A     | 1108           | 9               | 28   | 23,5           | 18,17 | 64    | 22,2           | 5,31                           | 0,53               | PHS 06B-1DSTBH25 |                  |
|       | 12,70           | 14         | 61,80    | 57,07 | A              | 1008            | 9    | 25             | 35,7  | 28,58 | 41             | 22,2                           | 7,20               | 0,32             | PHS 08B-1DSTBH14 |
|       |                 | 15         | 65,30    | 61,09 | A              | 1008            | 9    | 25             | 35,7  | 28,58 | 45             | 22,2                           | 7,20               | 0,40             | PHS 08B-1DSTBH15 |
| 16    |                 | 69,50      | 65,10    | A     | 1108           | 9               | 28   | 35,7           | 28,58 | 49    | 22,2           | 7,20                           | 0,44               | PHS 08B-1DSTBH16 |                  |
| 17    |                 | 73,60      | 69,11    | A     | 1215           | 11              | 32   | 35,7           | 28,58 | 53    | 38,1           | 7,20                           | 0,43               | PHS 08B-1DSTBH17 |                  |
| 18    |                 | 77,80      | 73,14    | A     | 1215           | 11              | 32   | 35,7           | 28,58 | 58    | 38,1           | 7,20                           | 0,46               | PHS 08B-1DSTBH18 |                  |
| 19    |                 | 81,70      | 77,15    | A     | 1215           | 11              | 32   | 35,7           | 28,58 | 63    | 38,1           | 7,20                           | 0,50               | PHS 08B-1DSTBH19 |                  |
| 20    |                 | 85,80      | 81,18    | A     | 1215           | 11              | 32   | 35,7           | 28,58 | 66    | 38,1           | 7,20                           | 0,59               | PHS 08B-1DSTBH20 |                  |
| 21    |                 | 89,70      | 85,22    | A     | 1615           | 14              | 42   | 35,7           | 28,58 | 70    | 38,1           | 7,20                           | 0,59               | PHS 08B-1DSTBH21 |                  |
| 22    |                 | 93,80      | 89,24    | A     | 1615           | 14              | 42   | 35,7           | 28,58 | 74    | 38,1           | 7,20                           | 0,64               | PHS 08B-1DSTBH22 |                  |
| 23    |                 | 98,20      | 93,27    | A     | 1615           | 14              | 42   | 35,7           | 28,58 | 78    | 38,1           | 7,20                           | 0,68               | PHS 08B-1DSTBH23 |                  |
| 24    | 101,80          | 97,29      | A        | 1615  | 14             | 42              | 35,7 | 28,58          | 82    | 38,1  | 7,20           | 0,77                           | PHS 08B-1DSTBH24   |                  |                  |
| 25    | 105,80          | 101,33     | A        | 2012  | 14             | 50              | 35,7 | 28,58          | 86    | 31,8  | 7,20           | 0,86                           | PHS 08B-1DSTBH25   |                  |                  |
| 15,88 | 12              | 68,00      | 61,34    | A     | 1108           | 9               | 28   | 42,0           | 33,34 | 15,88 | 9,0            | 9,10                           | 28,00              | PHS 10B-1DSTBH12 |                  |
|       | 13              | 73,00      | 66,32    | A     | 1108           | 9               | 28   | 42,0           | 33,34 | 15,88 | 9,0            | 9,10                           | 28,00              | PHS 10B-1DSTBH13 |                  |
|       | 14              | 78,00      | 71,34    | A     | 1108           | 9               | 28   | 42,0           | 33,34 | 15,88 | 9,0            | 9,10                           | 28,00              | PHS 10B-1DSTBH14 |                  |
|       | 15              | 83,00      | 76,36    | A     | 1215           | 11              | 32   | 42,0           | 33,34 | 15,88 | 11,0           | 9,10                           | 32,00              | PHS 10B-1DSTBH15 |                  |
|       | 16              | 88,00      | 81,37    | A     | 1215           | 11              | 32   | 42,0           | 33,34 | 15,88 | 11,0           | 9,10                           | 32,00              | PHS 10B-1DSTBH16 |                  |
|       | 17              | 93,00      | 86,39    | A     | 1615           | 14              | 42   | 42,0           | 33,34 | 15,88 | 14,0           | 9,10                           | 42,00              | PHS 10B-1DSTBH17 |                  |
|       | 18              | 98,30      | 91,42    | A     | 1615           | 14              | 42   | 42,0           | 33,34 | 15,88 | 14,0           | 9,10                           | 42,00              | PHS 10B-1DSTBH18 |                  |
|       | 19              | 103,30     | 96,42    | A     | 1615           | 14              | 42   | 42,0           | 33,34 | 15,88 | 14,0           | 9,10                           | 42,00              | PHS 10B-1DSTBH19 |                  |
|       | 20              | 108,40     | 101,49   | A     | 1615           | 14              | 42   | 42,0           | 33,34 | 15,88 | 14,0           | 9,10                           | 42,00              | PHS 10B-1DSTBH20 |                  |
|       | 21              | 113,40     | 106,52   | A     | 2012           | 14              | 50   | 42,0           | 33,34 | 15,88 | 14,0           | 9,10                           | 50,00              | PHS 10B-1DSTBH21 |                  |
| 22    | 118,00          | 111,55     | A        | 2012  | 14             | 50              | 42,0 | 33,34          | 15,88 | 14,0  | 9,10           | 50,00                          | PHS 10B-1DSTBH22   |                  |                  |
| 23    | 123,40          | 116,58     | A        | 2012  | 14             | 50              | 42,0 | 33,34          | 15,88 | 14,0  | 9,10           | 50,00                          | PHS 10B-1DSTBH23   |                  |                  |
| 24    | 128,30          | 121,62     | A        | 2012  | 14             | 50              | 42,0 | 33,34          | 15,88 | 14,0  | 9,10           | 50,00                          | PHS 10B-1DSTBH24   |                  |                  |
| 25    | 134,00          | 126,66     | A        | 2012  | 14             | 50              | 42,0 | 33,34          | 15,88 | 14,0  | 9,10           | 50,00                          | PHS 10B-1DSTBH25   |                  |                  |
| 19,05 | 12              | 81,50      | 73,61    | A     | 1215           | 11              | 32   | 49,2           | 38,10 | 19,05 | 11,0           | 11,10                          | 32,00              | PHS 12B-1DSTBH12 |                  |
|       | 13              | 87,50      | 79,59    | A     | 1215           | 11              | 32   | 49,2           | 38,10 | 19,05 | 11,0           | 11,10                          | 32,00              | PHS 12B-1DSTBH13 |                  |
|       | 14              | 93,60      | 85,62    | A     | 1215           | 11              | 32   | 49,2           | 38,10 | 19,05 | 11,0           | 11,10                          | 32,00              | PHS 12B-1DSTBH14 |                  |
|       | 15              | 99,80      | 91,61    | A     | 1615           | 14              | 42   | 49,2           | 38,10 | 19,05 | 14,0           | 11,10                          | 42,00              | PHS 12B-1DSTBH15 |                  |
|       | 16              | 105,50     | 97,63    | A     | 1615           | 14              | 42   | 49,2           | 38,10 | 19,05 | 14,0           | 11,10                          | 42,00              | PHS 12B-1DSTBH16 |                  |
|       | 17              | 111,50     | 103,67   | A     | 1615           | 14              | 42   | 49,2           | 38,10 | 19,05 | 14,0           | 11,10                          | 42,00              | PHS 12B-1DSTBH17 |                  |
|       | 18              | 118,00     | 109,71   | A     | 2012           | 14              | 50   | 49,2           | 38,10 | 19,05 | 14,0           | 11,10                          | 50,00              | PHS 12B-1DSTBH18 |                  |
|       | 19              | 124,20     | 115,75   | A     | 2012           | 14              | 50   | 49,2           | 38,10 | 19,05 | 14,0           | 11,10                          | 50,00              | PHS 12B-1DSTBH19 |                  |
|       | 20              | 129,70     | 121,78   | A     | 2517           | 16              | 65   | 49,2           | 38,10 | 19,05 | 16,0           | 11,10                          | 65,00              | PHS 12B-1DSTBH20 |                  |
|       | 21              | 136,00     | 127,82   | A     | 2517           | 16              | 65   | 49,2           | 38,10 | 19,05 | 16,0           | 11,10                          | 65,00              | PHS 12B-1DSTBH21 |                  |
| 22    | 141,80          | 133,86     | A        | 2517  | 16             | 65              | 49,2 | 38,10          | 19,05 | 16,0  | 11,10          | 65,00                          | PHS 12B-1DSTBH22   |                  |                  |
| 23    | 149,00          | 139,90     | A        | 2517  | 16             | 65              | 49,2 | 38,10          | 19,05 | 16,0  | 11,10          | 65,00                          | PHS 12B-1DSTBH23   |                  |                  |
| 24    | 153,90          | 145,94     | A        | 2517  | 16             | 65              | 49,2 | 38,10          | 19,05 | 16,0  | 11,10          | 65,00                          | PHS 12B-1DSTBH24   |                  |                  |
| 25    | 160,30          | 151,94     | A        | 2517  | 16             | 65              | 49,2 | 38,10          | 19,05 | 16,0  | 11,10          | 65,00                          | PHS 12B-1DSTBH25   |                  |                  |
| 25,40 | 12              | 109,00     | 98,14    | A     | 1615           | 14              | 42   | 63,5           | 46,50 | 72    | 38,1           | 16,20                          | 1,92               | PHS 16B-1DSTBH12 |                  |
|       | 13              | 117,00     | 106,12   | A     | 1615           | 14              | 42   | 63,5           | 46,50 | 80    | 38,1           | 16,20                          | 2,53               | PHS 16B-1DSTBH13 |                  |
|       | 14              | 125,00     | 114,15   | A     | 2012           | 14              | 50   | 63,5           | 46,50 | 88    | 31,8           | 16,20                          | 2,53               | PHS 16B-1DSTBH14 |                  |
|       | 15              | 133,00     | 122,17   | A     | 2012           | 14              | 50   | 63,5           | 46,50 | 96    | 31,8           | 16,20                          | 3,10               | PHS 16B-1DSTBH15 |                  |
|       | 16              | 141,00     | 130,20   | A     | 2012           | 14              | 50   | 63,5           | 46,50 | 104   | 31,8           | 16,20                          | 3,68               | PHS 16B-1DSTBH16 |                  |

<sup>1)</sup> Mass for rim only

All Type B or C sprockets, up to and including 25 tooth, are with hardened teeth as standard.  
For any additional size sprockets with hardened teeth, add "H" before the number of teeth, e.g. PHS 06B-1DSTBH18.

## Metric sprockets, double simplex, taper bushed

ISO 16B-1 · 25,40 mm pitch | ISO 20B-1 · 31,75 mm pitch

| Pitch | Number of teeth | Diameters  |          | Type   | Bushing number | Dimensions Bore |      | L <sub>1</sub> | C     | E     | L <sub>2</sub> | Plate thickness t <sub>1</sub> | Mass <sup>1)</sup> | Designation      |
|-------|-----------------|------------|----------|--------|----------------|-----------------|------|----------------|-------|-------|----------------|--------------------------------|--------------------|------------------|
|       |                 | Outside OD | Pitch PD |        |                | Min.            | Max. |                |       |       |                |                                |                    |                  |
| mm    | –               | mm         | –        | –      | –              | mm              | –    | –              | –     | –     | –              | –                              | kg                 | –                |
| 25,40 | 17              | 149,00     | 138,22   | A      | 2517           | 16              | 65   | 63,5           | 46,50 | 112   | 44,5           | 16,20                          | 3,89               | PHS 16B-1DSTBH17 |
|       | 18              | 157,00     | 146,28   | A      | 2517           | 16              | 65   | 63,5           | 46,50 | 120   | 44,5           | 16,20                          | 4,65               | PHS 16B-1DSTBH18 |
|       | 19              | 165,20     | 154,33   | A      | 3020           | 25              | 75   | 63,5           | 46,50 | 128   | 50,8           | 16,20                          | 4,50               | PHS 16B-1DSTBH19 |
|       | 20              | 173,20     | 162,38   | A      | 3020           | 25              | 75   | 63,5           | 46,50 | 135   | 50,8           | 16,20                          | 5,10               | PHS 16B-1DSTBH20 |
|       | 21              | 181,20     | 170,43   | A      | 3020           | 25              | 75   | 63,5           | 46,50 | 142   | 50,8           | 16,20                          | 6,00               | PHS 16B-1DSTBH21 |
|       | 22              | 189,30     | 178,48   | A      | 3020           | 25              | 75   | 63,5           | 46,50 | 151   | 50,8           | 16,20                          | 6,20               | PHS 16B-1DSTBH22 |
|       | 23              | 197,50     | 186,59   | A      | 3525           | 35              | 90   | 63,5           | 46,50 | 160   | 63,5           | 16,20                          | 7,15               | PHS 16B-1DSTBH23 |
|       | 24              | 205,50     | 194,59   | A      | 3525           | 35              | 90   | 63,5           | 46,50 | 167   | 63,5           | 16,20                          | 8,10               | PHS 16B-1DSTBH24 |
|       | 25              | 213,50     | 178,49   | A      | 3525           | 35              | 90   | 63,5           | 46,50 | 175   | 63,5           | 16,20                          | 9,00               | PHS 16B-1DSTBH25 |
|       | 31,75           | 15         | 167,90   | 152,72 | A              | 2517            | 16   | 60             | 68,3  | 49,80 | 115            | 44,5                           | 18,50              | 4,20             |
| 16    |                 | 177,90     | 162,75   | A      | 2517           | 16              | 60   | 68,3           | 49,80 | 127   | 44,5           | 18,50                          | 5,91               | PHS 20B-1DSTBH16 |
| 17    |                 | 172,80     | 172,78   | A      | 3020           | 25              | 75   | 68,3           | 49,80 | 137   | 50,8           | 18,50                          | 6,36               | PHS 20B-1DSTBH17 |
| 18    |                 | 182,83     | 182,85   | A      | 3020           | 25              | 75   | 68,3           | 49,80 | 147   | 50,8           | 18,50                          | 7,27               | PHS 20B-1DSTBH18 |
| 19    |                 | 192,91     | 192,91   | A      | 3020           | 25              | 75   | 68,3           | 49,80 | 157   | 50,8           | 18,50                          | 9,09               | PHS 20B-1DSTBH19 |
| 20    |                 | 218,10     | 202,98   | A      | 3020           | 25              | 75   | 68,3           | 49,80 | 167   | 50,8           | 18,50                          | 10,85              | PHS 20B-1DSTBH20 |
| 21    |                 | 228,28     | 213,03   | A      | 3020           | 25              | 75   | 68,3           | 49,80 | 177   | 50,8           | 18,50                          | 12,50              | PHS 20B-1DSTBH21 |

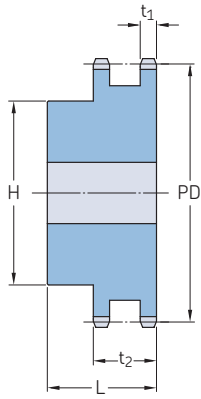
<sup>1)</sup> Mass for rim only

All Type B or C sprockets, up to and including 25 tooth, are with hardened teeth as standard.

For any additional size sprockets with hardened teeth, add "H" before the number of teeth, e.g. PHS 06B-1DSTBH18.

**Metric sprockets, duplex, standard**

ISO 06B-2 · 9,525 mm pitch | ISO 08B-2 · 12,70 mm pitch



Type B

| Pitch | Number of teeth | Pitch diameter<br>PD | Type | Dimensions<br>Bore |      | Hub |      | Plate thickness |                | Mass           | Designation   |
|-------|-----------------|----------------------|------|--------------------|------|-----|------|-----------------|----------------|----------------|---------------|
|       |                 |                      |      | Min.               | Max. | H   | L    | t <sub>1</sub>  | t <sub>2</sub> |                |               |
| mm    | –               | mm                   | –    | mm                 |      |     |      |                 |                | kg             | –             |
| 9,525 | 12              | 36,80                | B    | 10                 | 12   | 25  | 25   | 5,20            | 15,44          | 0,11           | PHS 06B-2BH12 |
|       | 13              | 39,79                | B    | 10                 | 12   | 28  | 25   | 5,20            | 15,44          | 0,14           | PHS 06B-2BH13 |
|       | 14              | 42,80                | B    | 10                 | 18   | 31  | 25   | 5,20            | 15,44          | 0,17           | PHS 06B-2BH14 |
|       | 15              | 45,81                | B    | 10                 | 18   | 34  | 25   | 5,20            | 15,44          | 0,20           | PHS 06B-2BH15 |
|       | 16              | 48,82                | B    | 12                 | 20   | 37  | 30   | 5,20            | 15,44          | 0,26           | PHS 06B-2BH16 |
|       | 17              | 51,83                | B    | 12                 | 23   | 40  | 30   | 5,20            | 15,44          | 0,32           | PHS 06B-2BH17 |
|       | 18              | 54,85                | B    | 12                 | 25   | 43  | 30   | 5,20            | 15,44          | 0,37           | PHS 06B-2BH18 |
|       | 19              | 57,87                | B    | 12                 | 28   | 46  | 30   | 5,20            | 15,44          | 0,42           | PHS 06B-2BH19 |
|       | 20              | 60,89                | B    | 12                 | 25   | 49  | 30   | 5,20            | 15,44          | 0,48           | PHS 06B-2BH20 |
|       | 21              | 63,91                | B    | 12                 | 30   | 52  | 30   | 5,20            | 15,44          | 0,54           | PHS 06B-2BH21 |
|       | 22              | 66,93                | B    | 12                 | 28   | 55  | 30   | 5,20            | 15,44          | 0,61           | PHS 06B-2BH22 |
|       | 23              | 69,95                | B    | 12                 | 35   | 58  | 30   | 5,20            | 15,44          | 0,67           | PHS 06B-2BH23 |
|       | 24              | 72,97                | B    | 12                 | 32   | 61  | 30   | 5,20            | 15,44          | 0,74           | PHS 06B-2BH24 |
|       | 25              | 76,00                | B    | 12                 | 40   | 64  | 30   | 5,20            | 15,44          | 0,81           | PHS 06B-2BH25 |
|       | 26              | 79,02                | B    | 12                 | 32   | 67  | 30   | 5,20            | 15,44          | 0,92           | PHS 06B-2BH26 |
|       | 27              | 82,05                | B    | 12                 | 40   | 70  | 30   | 5,20            | 15,44          | 0,97           | PHS 06B-2BH27 |
|       | 28              | 85,07                | B    | 12                 | 32   | 73  | 30   | 5,20            | 15,44          | 1,08           | PHS 06B-2BH28 |
|       | 29              | 88,09                | B    | 12                 | 32   | 76  | 30   | 5,20            | 15,44          | 1,15           | PHS 06B-2BH29 |
|       | 30              | 91,12                | B    | 12                 | 40   | 79  | 30   | 5,20            | 15,44          | 1,23           | PHS 06B-2BH30 |
|       | 32              | 97,17                | B    | 16                 | 52   | 80  | 30   | 5,20            | 15,44          | 1,38           | PHS 06B-2BH32 |
|       | 35              | 106,26               | B    | 16                 | 52   | 80  | 30   | 5,20            | 15,44          | 1,61           | PHS 06B-2BH35 |
|       | 36              | 109,29               | B    | 16                 | 60   | 90  | 30   | 5,20            | 15,44          | 1,69           | PHS 06B-2BH36 |
|       | 38              | 115,35               | B    | 16                 | 50   | 90  | 30   | 5,20            | 15,44          | 1,84           | PHS 06B-2BH38 |
|       | 40              | 121,40               | B    | 16                 | 52   | 90  | 30   | 5,20            | 15,44          | 2,00           | PHS 06B-2BH40 |
|       | 42              | 127,46               | B    | 16                 | 60   | 90  | 40   | 5,20            | 15,44          | 2,15           | PHS 06B-2BH42 |
|       | 45              | 136,55               | B    | 16                 | 50   | 90  | 40   | 5,20            | 15,44          | 2,01           | PHS 06B-2BH45 |
|       | 48              | 145,64               | B    | 16                 | 60   | 90  | 40   | 5,20            | 15,44          | 2,61           | PHS 06B-2BH48 |
|       | 52              | 157,75               | B    | 16                 | 60   | 90  | 40   | 5,20            | 15,44          | 2,92           | PHS 06B-2BH52 |
|       | 57              | 172,91               | B    | 16                 | 50   | 90  | 40   | 5,20            | 15,44          | 2,34           | PHS 06B-2BH57 |
|       | 60              | 182,00               | B    | 16                 | 60   | 90  | 40   | 5,20            | 15,44          | 3,53           | PHS 06B-2BH60 |
|       | 68              | 206,24               | B    | 16                 | 60   | 90  | 40   | 5,20            | 15,44          | 4,14           | PHS 06B-2BH68 |
|       | 70              | 212,30               | B    | 16                 | 60   | 90  | 40   | 5,20            | 15,44          | 4,30           | PHS 06B-2BH70 |
| 72    | 218,37          | B                    | 16   | 60                 | 90   | 40  | 5,20 | 15,44           | 4,45           | PHS 06B-2BH72  |               |
| 76    | 230,49          | B                    | 16   | 50                 | 90   | 40  | 5,20 | 15,44           | 3,35           | PHS 06B-2BH76  |               |
| 84    | 254,74          | B                    | 16   | 60                 | 90   | 40  | 5,20 | 15,44           | 5,37           | PHS 06B-2BH84  |               |
| 95    | 288,08          | B                    | 16   | 62                 | 90   | 40  | 5,20 | 15,44           | 6,21           | PHS 06B-2BH95  |               |
| 96    | 291,11          | B                    | 16   | 62                 | 90   | 40  | 5,20 | 15,44           | 6,29           | PHS 06B-2BH96  |               |
| 114   | 345,68          | B                    | 16   | 62                 | 90   | 40  | 5,20 | 15,44           | 7,67           | PHS 06B-2BH114 |               |
| 12,70 | 10              | 41,10                | B    | 10                 | 18   | 28  | 32   | 7,24            | 21,13          | 0,15           | PHS 08B-2BH10 |
|       | 11              | 45,07                | B    | 12                 | 21   | 32  | 35   | 7,24            | 21,13          | 0,22           | PHS 08B-2BH11 |
|       | 12              | 49,07                | B    | 12                 | 19   | 35  | 35   | 7,24            | 21,13          | 0,29           | PHS 08B-2BH12 |
|       | 13              | 53,06                | B    | 12                 | 21   | 38  | 35   | 7,24            | 21,13          | 0,36           | PHS 08B-2BH13 |
|       | 14              | 57,07                | B    | 12                 | 28   | 42  | 35   | 7,24            | 21,13          | 0,44           | PHS 08B-2BH14 |
|       | 15              | 61,09                | B    | 12                 | 28   | 46  | 35   | 7,24            | 21,13          | 0,52           | PHS 08B-2BH15 |
|       | 16              | 65,10                | B    | 14                 | 33   | 50  | 35   | 7,24            | 21,13          | 0,61           | PHS 08B-2BH16 |
|       | 17              | 69,11                | B    | 14                 | 30   | 54  | 35   | 7,24            | 21,13          | 0,70           | PHS 08B-2BH17 |
|       | 18              | 73,14                | B    | 14                 | 38   | 58  | 35   | 7,24            | 21,13          | 0,81           | PHS 08B-2BH18 |
|       | 19              | 77,16                | B    | 14                 | 40   | 62  | 35   | 7,24            | 21,13          | 0,91           | PHS 08B-2BH19 |
|       | 20              | 81,19                | B    | 14                 | 40   | 66  | 35   | 7,24            | 21,13          | 1,10           | PHS 08B-2BH20 |
|       | 21              | 85,22                | B    | 16                 | 40   | 70  | 40   | 7,24            | 21,13          | 1,29           | PHS 08B-2BH21 |
|       | 22              | 89,24                | B    | 16                 | 45   | 70  | 40   | 7,24            | 21,13          | 1,37           | PHS 08B-2BH22 |
|       | 23              | 93,27                | B    | 16                 | 50   | 70  | 40   | 7,24            | 21,13          | 1,46           | PHS 08B-2BH23 |
|       | 24              | 97,29                | B    | 16                 | 50   | 75  | 40   | 7,24            | 21,13          | 1,64           | PHS 08B-2BH24 |

Maximum bores can accommodate standard keyways. Larger bores are available.  
 All Type B or C sprockets, up to and including 25 tooth, are with hardened teeth as standard.  
 For any additional size sprockets with hardened teeth, add "H" before the number of teeth, e.g. PHS 06B-2BH12.

# Metric sprockets, duplex, standard

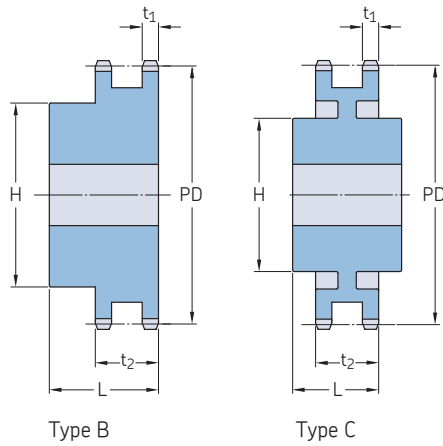
ISO 08B-2 · 12,70 mm pitch | ISO 10B-2 · 15,88 mm pitch | ISO 12B-2 · 19,05 mm pitch

| Pitch | Number of teeth | Pitch diameter<br>PD | Type   | Dimensions |      | Hub |     | Plate thickness |                | Mass  | Designation   |               |
|-------|-----------------|----------------------|--------|------------|------|-----|-----|-----------------|----------------|-------|---------------|---------------|
|       |                 |                      |        | Bore       |      | H   | L   | t <sub>1</sub>  | t <sub>2</sub> |       |               |               |
|       |                 |                      |        | Min.       | Max. |     |     |                 |                |       |               |               |
| mm    | -               | mm                   | -      | mm         |      |     |     |                 | kg             | -     |               |               |
| 12,70 | 25              | 101,33               | B      | 16         | 50   | 80  | 40  | 7,24            | 21,13          | 1,83  | PHS 08B-2BH25 |               |
|       | 26              | 105,36               | B      | 16         | 56   | 85  | 40  | 7,24            | 21,13          | 1,96  | PHS 08B-2B26  |               |
|       | 27              | 109,40               | B      | 16         | 50   | 85  | 40  | 7,24            | 21,13          | 2,09  | PHS 08B-2B27  |               |
|       | 28              | 113,42               | B      | 16         | 60   | 90  | 40  | 7,24            | 21,13          | 2,31  | PHS 08B-2B28  |               |
|       | 29              | 117,46               | B      | 16         | 62   | 95  | 40  | 7,24            | 21,13          | 2,53  | PHS 08B-2B29  |               |
|       | 30              | 121,50               | B      | 16         | 50   | 100 | 40  | 7,24            | 21,13          | 2,75  | PHS 08B-2B30  |               |
|       | 32              | 129,56               | B      | 20         | 64   | 100 | 40  | 7,24            | 21,13          | 3,08  | PHS 08B-2B32  |               |
|       | 34              | 137,64               | B      | 20         | 64   | 100 | 40  | 7,24            | 21,13          | 3,24  | PHS 08B-2B34  |               |
|       | 35              | 141,68               | B      | 20         | 64   | 100 | 40  | 7,24            | 21,13          | 3,41  | PHS 08B-2B35  |               |
|       | 36              | 145,72               | B      | 20         | 73   | 100 | 40  | 7,24            | 21,13          | 3,74  | PHS 08B-2B36  |               |
|       | 38              | 153,80               | B      | 20         | 55   | 100 | 40  | 7,24            | 21,13          | 4,08  | PHS 08B-2B38  |               |
|       | 40              | 161,87               | B      | 20         | 73   | 100 | 50  | 7,24            | 21,13          | 4,00  | PHS 08B-2B40  |               |
|       | 42              | 169,95               | B      | 20         | 73   | 108 | 50  | 7,24            | 21,13          | 3,90  | PHS 08B-2B42  |               |
|       | 45              | 182,07               | B      | 20         | 55   | 108 | 50  | 7,24            | 21,13          | 3,70  | PHS 08B-2B45  |               |
|       | 48              | 194,18               | B      | 20         | 73   | 108 | 50  | 7,24            | 21,13          | 4,10  | PHS 08B-2B48  |               |
|       | 54              | 218,43               | B      | 20         | 73   | 108 | 50  | 7,24            | 21,13          | 4,70  | PHS 08B-2B54  |               |
|       | 57              | 230,54               | B      | 20         | 55   | 108 | 50  | 7,24            | 21,13          | 5,01  | PHS 08B-2B57  |               |
|       | 60              | 242,66               | B      | 20         | 73   | 108 | 50  | 7,24            | 21,13          | 5,34  | PHS 08B-2B60  |               |
|       | 68              | 274,99               | B      | 20         | 73   | 108 | 55  | 7,24            | 21,13          | 5,68  | PHS 08B-2B68  |               |
|       | 72              | 291,16               | B      | 20         | 73   | 108 | 55  | 7,24            | 21,13          | 6,02  | PHS 08B-2B72  |               |
|       | 76              | 307,33               | B      | 20         | 60   | 108 | 55  | 7,24            | 21,13          | 6,36  | PHS 08B-2B76  |               |
|       | 84              | 339,65               | B      | 20         | 80   | 120 | 55  | 7,24            | 21,13          | 8,31  | PHS 08B-2B84  |               |
|       | 95              | 384,10               | B      | 20         | 60   | 110 | 55  | 7,24            | 21,13          | 10,26 | PHS 08B-2B95  |               |
|       | 96              | 388,15               | B      | 20         | 80   | 110 | 55  | 7,24            | 21,13          | 11,00 | PHS 08B-2B96  |               |
|       | 114             | 460,90               | B      | 20         | 80   | 110 | 55  | 7,24            | 21,13          | 12,45 | PHS 08B-2B114 |               |
|       | 15,88           | 11                   | 56,34  | B          | 14   | 24  | 39  | 40              | 8,97           | 25,55 | 0,45          | PHS 10B-2BH11 |
|       |                 | 12                   | 61,34  | B          | 14   | 25  | 44  | 40              | 8,97           | 25,55 | 0,57          | PHS 10B-2BH12 |
|       |                 | 13                   | 66,32  | B          | 14   | 29  | 49  | 40              | 8,97           | 25,55 | 0,70          | PHS 10B-2BH13 |
|       |                 | 14                   | 71,34  | B          | 14   | 35  | 54  | 40              | 8,97           | 25,55 | 0,84          | PHS 10B-2BH14 |
|       |                 | 15                   | 76,36  | B          | 14   | 35  | 59  | 40              | 8,97           | 25,55 | 0,99          | PHS 10B-2BH15 |
|       |                 | 16                   | 81,37  | B          | 16   | 40  | 64  | 45              | 8,97           | 25,55 | 1,23          | PHS 10B-2BH16 |
|       |                 | 17                   | 86,39  | B          | 16   | 40  | 69  | 45              | 8,97           | 25,55 | 1,47          | PHS 10B-2BH17 |
|       |                 | 18                   | 91,42  | B          | 16   | 48  | 74  | 45              | 8,97           | 25,55 | 1,68          | PHS 10B-2BH18 |
|       |                 | 19                   | 96,45  | B          | 16   | 46  | 79  | 45              | 8,97           | 25,55 | 1,90          | PHS 10B-2BH19 |
|       |                 | 20                   | 101,49 | B          | 16   | 56  | 84  | 45              | 8,97           | 25,55 | 2,10          | PHS 10B-2BH20 |
|       |                 | 21                   | 106,52 | B          | 16   | 55  | 85  | 45              | 8,97           | 25,55 | 2,31          | PHS 10B-2BH21 |
|       |                 | 22                   | 111,55 | B          | 16   | 60  | 90  | 45              | 8,97           | 25,55 | 2,58          | PHS 10B-2BH22 |
|       |                 | 23                   | 116,58 | B          | 16   | 55  | 95  | 45              | 8,97           | 25,55 | 2,85          | PHS 10B-2BH23 |
|       |                 | 24                   | 121,62 | B          | 16   | 64  | 100 | 45              | 8,97           | 25,55 | 3,14          | PHS 10B-2BH24 |
| 25    |                 | 126,66               | B      | 16         | 55   | 105 | 45  | 8,97            | 25,55          | 3,44  | PHS 10B-2BH25 |               |
| 26    |                 | 131,70               | B      | 20         | 73   | 110 | 45  | 8,97            | 25,55          | 3,69  | PHS 10B-2B26  |               |
| 27    |                 | 136,75               | B      | 20         | 55   | 110 | 45  | 8,97            | 25,55          | 3,95  | PHS 10B-2B27  |               |
| 28    |                 | 141,78               | B      | 20         | 76   | 115 | 45  | 8,97            | 25,55          | 4,25  | PHS 10B-2B28  |               |
| 29    |                 | 146,83               | B      | 20         | 76   | 115 | 45  | 8,97            | 25,55          | 4,55  | PHS 10B-2B29  |               |
| 30    |                 | 151,87               | B      | 20         | 58   | 120 | 45  | 8,97            | 25,55          | 4,87  | PHS 10B-2B30  |               |
| 32    |                 | 161,95               | B      | 20         | 80   | 120 | 45  | 8,97            | 25,55          | 4,95  | PHS 10B-2B32  |               |
| 35    |                 | 177,10               | B      | 20         | 80   | 120 | 45  | 8,97            | 25,55          | 5,08  | PHS 10B-2B35  |               |
| 36    |                 | 182,15               | B      | 20         | 80   | 120 | 45  | 8,97            | 25,55          | 5,11  | PHS 10B-2B36  |               |
| 38    |                 | 192,24               | B      | 20         | 58   | 120 | 45  | 8,97            | 25,55          | 5,20  | PHS 10B-2B38  |               |
| 40    |                 | 202,34               | B      | 20         | 80   | 120 | 45  | 8,97            | 25,55          | 5,41  | PHS 10B-2B40  |               |
| 45    |                 | 227,58               | B      | 20         | 60   | 120 | 50  | 8,97            | 25,55          | 5,94  | PHS 10B-2B45  |               |
| 48    |                 | 242,73               | B      | 20         | 80   | 120 | 50  | 8,97            | 25,55          | 7,27  | PHS 10B-2B48  |               |
| 57    |                 | 288,18               | B      | 20         | 60   | 120 | 50  | 8,97            | 25,55          | 8,61  | PHS 10B-2B57  |               |
| 60    |                 | 303,32               | B      | 20         | 85   | 120 | 57  | 8,97            | 25,55          | 9,30  | PHS 10B-2B60  |               |
| 70    |                 | 353,84               | B      | 20         | 85   | 120 | 57  | 8,97            | 25,55          | 9,99  | PHS 10B-2B70  |               |
| 76    |                 | 384,16               | B      | 20         | 85   | 120 | 57  | 8,97            | 25,55          | 10,68 | PHS 10B-2B76  |               |
| 80    |                 | 404,35               | B      | 20         | 85   | 130 | 58  | 8,97            | 25,55          | 11,00 | PHS 10B-2B80  |               |
| 95    |                 | 480,14               | B      | 20         | 85   | 130 | 58  | 8,97            | 25,55          | 12,00 | PHS 10B-2B95  |               |
| 114   |                 | 576,13               | B      | 20         | 85   | 130 | 58  | 8,97            | 25,55          | 13,00 | PHS 10B-2B114 |               |
| 19,05 |                 | 10                   | 61,65  | B          | 12   | 32  | 42  | 45              | 10,87          | 30,33 | 0,57          | PHS 12B-2BH10 |
|       |                 | 11                   | 67,61  | B          | 16   | 32  | 47  | 50              | 10,87          | 30,33 | 0,80          | PHS 12B-2BH11 |
|       |                 | 12                   | 73,61  | B          | 16   | 32  | 53  | 50              | 10,87          | 30,33 | 1,03          | PHS 12B-2BH12 |
|       |                 | 13                   | 79,59  | B          | 16   | 36  | 59  | 50              | 10,87          | 30,33 | 1,26          | PHS 12B-2BH13 |
|       |                 | 14                   | 85,61  | B          | 16   | 42  | 65  | 50              | 10,87          | 30,33 | 1,52          | PHS 12B-2BH14 |
|       | 15              | 91,63                | B      | 16         | 44   | 71  | 50  | 10,87           | 30,33          | 1,78  | PHS 12B-2BH15 |               |
|       | 16              | 97,65                | B      | 20         | 51   | 77  | 50  | 10,87           | 30,33          | 2,08  | PHS 12B-2BH16 |               |
|       | 17              | 103,67               | B      | 20         | 55   | 83  | 50  | 10,87           | 30,33          | 2,37  | PHS 12B-2BH17 |               |
|       | 18              | 109,71               | B      | 20         | 60   | 89  | 50  | 10,87           | 30,33          | 2,72  | PHS 12B-2BH18 |               |
|       | 19              | 115,75               | B      | 20         | 55   | 95  | 50  | 10,87           | 30,33          | 3,07  | PHS 12B-2BH19 |               |
|       | 20              | 121,78               | B      | 20         | 64   | 100 | 50  | 10,87           | 30,33          | 3,39  | PHS 12B-2BH20 |               |
|       | 21              | 127,82               | B      | 20         | 60   | 100 | 50  | 10,87           | 30,33          | 3,70  | PHS 12B-2BH21 |               |
|       | 22              | 133,86               | B      | 20         | 64   | 100 | 50  | 10,87           | 30,33          | 4,11  | PHS 12B-2BH22 |               |
|       | 23              | 139,90               | B      | 20         | 60   | 110 | 50  | 10,87           | 30,33          | 4,52  | PHS 12B-2BH23 |               |
|       | 24              | 145,94               | B      | 20         | 73   | 110 | 50  | 10,87           | 30,33          | 4,96  | PHS 12B-2BH24 |               |

Maximum bores can accommodate standard keyways. Larger bores are available.  
 All Type B or C sprockets, up to and including 25 tooth, are with hardened teeth as standard.  
 For any additional size sprockets with hardened teeth, add "H" before the number of teeth, e.g. PHS 06B-2BH12.

Metric sprockets, duplex, standard

ISO 12B-2 · 19,05 mm pitch | ISO 16B-2 · 25,40 mm pitch



| Pitch | Number of teeth | Pitch diameter<br>PD | Type | Dimensions<br>Bore |      | Hub |    | Plate thickness |                | Mass   | Designation   |
|-------|-----------------|----------------------|------|--------------------|------|-----|----|-----------------|----------------|--------|---------------|
|       |                 |                      |      | Min.               | Max. | H   | L  | t <sub>1</sub>  | t <sub>2</sub> |        |               |
| mm    | -               | mm                   | -    | mm                 |      |     |    |                 |                | kg     | -             |
| 19,05 | 25              | 152,00               | B    | 20                 | 60   | 120 | 50 | 10,87           | 30,33          | 5,39   | PHS 12B-2BH25 |
|       | 26              | 158,04               | B    | 20                 | 80   | 120 | 50 | 10,87           | 30,33          | 5,74   | PHS 12B-2B26  |
|       | 27              | 164,09               | B    | 20                 | 60   | 120 | 50 | 10,87           | 30,33          | 6,09   | PHS 12B-2B27  |
|       | 28              | 170,13               | B    | 20                 | 80   | 120 | 50 | 10,87           | 30,33          | 6,45   | PHS 12B-2B28  |
|       | 30              | 182,25               | B    | 20                 | 60   | 120 | 50 | 10,87           | 30,33          | 7,17   | PHS 12B-2B30  |
|       | 32              | 194,36               | B    | 20                 | 85   | 120 | 50 | 10,87           | 30,33          | 8,41   | PHS 12B-2B32  |
|       | 35              | 212,52               | B    | 20                 | 85   | 120 | 50 | 10,87           | 30,33          | 9,70   | PHS 12B-2B35  |
|       | 36              | 218,58               | B    | 25                 | 85   | 120 | 50 | 10,87           | 30,33          | 10,12  | PHS 12B-2B36  |
|       | 38              | 230,69               | B    | 25                 | 65   | 120 | 50 | 10,87           | 30,33          | 10,98  | PHS 12B-2B38  |
|       | 40              | 242,81               | B    | 25                 | 85   | 120 | 50 | 10,87           | 30,33          | 11,84  | PHS 12B-2B40  |
|       | 45              | 273,10               | B    | 25                 | 65   | 136 | 62 | 10,87           | 30,33          | 10,58  | PHS 12B-2B45  |
|       | 48              | 291,27               | B    | 25                 | 85   | 136 | 62 | 10,87           | 30,33          | 15,26  | PHS 12B-2B48  |
|       | 57              | 345,81               | B    | 25                 | 70   | 136 | 62 | 10,87           | 30,33          | 11,72  | PHS 12B-2B57  |
|       | 60              | 363,99               | B    | 25                 | 85   | 136 | 62 | 10,87           | 30,33          | 20,40  | PHS 12B-2B60  |
|       | 68              | 412,49               | C    | 25                 | 85   | 140 | 63 | 10,87           | 30,33          | 23,83  | PHS 12B-2C68  |
|       | 76              | 460,99               | C    | 25                 | 80   | 140 | 63 | 10,87           | 30,33          | 18,50  | PHS 12B-2C76  |
|       | 80              | 485,22               | C    | 25                 | 85   | 140 | 63 | 10,87           | 30,33          | 28,97  | PHS 12B-2C80  |
|       | 95              | 576,17               | C    | 25                 | 93   | 140 | 63 | 10,87           | 30,33          | 35,39  | PHS 12B-2C95  |
|       | 96              | 582,23               | C    | 25                 | 93   | 140 | 63 | 10,87           | 30,33          | 35,82  | PHS 12B-2C96  |
|       | 114             | 691,36               | C    | 25                 | 93   | 140 | 63 | 10,87           | 30,33          | 43,53  | PHS 12B-2C114 |
| 25,40 | 11              | 90,14                | B    | 20                 | 42   | 64  | 70 | 15,83           | 47,71          | 1,86   | PHS 16B-2BH11 |
|       | 12              | 98,14                | B    | 20                 | 45   | 72  | 70 | 15,83           | 47,71          | 2,54   | PHS 16B-2BH12 |
|       | 13              | 106,12               | B    | 20                 | 48   | 80  | 70 | 15,83           | 47,71          | 3,22   | PHS 16B-2BH13 |
|       | 14              | 114,15               | B    | 20                 | 53   | 88  | 70 | 15,83           | 47,71          | 3,90   | PHS 16B-2BH14 |
|       | 15              | 122,17               | B    | 20                 | 58   | 96  | 70 | 15,83           | 47,71          | 4,58   | PHS 16B-2BH15 |
|       | 16              | 130,20               | B    | 20                 | 66   | 104 | 70 | 15,83           | 47,71          | 5,35   | PHS 16B-2BH16 |
|       | 17              | 138,22               | B    | 20                 | 70   | 112 | 70 | 15,83           | 47,71          | 6,12   | PHS 16B-2BH17 |
|       | 18              | 146,28               | B    | 20                 | 80   | 120 | 70 | 15,83           | 47,71          | 7,02   | PHS 16B-2BH18 |
|       | 19              | 154,33               | B    | 20                 | 70   | 128 | 70 | 15,83           | 47,71          | 7,91   | PHS 16B-2BH19 |
|       | 20              | 162,38               | B    | 20                 | 85   | 130 | 70 | 15,83           | 47,71          | 8,59   | PHS 16B-2BH20 |
|       | 21              | 170,43               | B    | 25                 | 75   | 130 | 70 | 15,83           | 47,71          | 9,26   | PHS 16B-2BH21 |
|       | 22              | 178,48               | B    | 25                 | 85   | 130 | 70 | 15,83           | 47,71          | 10,05  | PHS 16B-2BH22 |
|       | 23              | 186,53               | B    | 25                 | 75   | 130 | 70 | 15,83           | 47,71          | 10,84  | PHS 16B-2BH23 |
|       | 24              | 194,59               | B    | 25                 | 85   | 130 | 70 | 15,83           | 47,71          | 11,70  | PHS 16B-2BH24 |
|       | 25              | 202,66               | B    | 25                 | 75   | 130 | 70 | 15,83           | 47,71          | 12,56  | PHS 16B-2BH25 |
|       | 26              | 210,72               | B    | 25                 | 85   | 130 | 70 | 15,83           | 47,71          | 13,52  | PHS 16B-2B26  |
|       | 27              | 218,79               | B    | 25                 | 75   | 130 | 70 | 15,83           | 47,71          | 14,48  | PHS 16B-2B27  |
|       | 28              | 226,85               | B    | 25                 | 85   | 130 | 70 | 15,83           | 47,71          | 15,49  | PHS 16B-2B28  |
|       | 29              | 234,92               | B    | 25                 | 85   | 130 | 70 | 15,83           | 47,71          | 16,51  | PHS 16B-2B29  |
|       | 30              | 243,00               | B    | 25                 | 75   | 130 | 70 | 15,83           | 47,71          | 17,52  | PHS 16B-2B30  |
|       | 32              | 259,13               | B    | 25                 | 95   | 140 | 70 | 15,83           | 47,71          | 20,13  | PHS 16B-2B32  |
|       | 35              | 283,36               | B    | 25                 | 95   | 140 | 70 | 15,83           | 47,71          | 24,04  | PHS 16B-2B35  |
|       | 36              | 291,44               | B    | 25                 | 95   | 140 | 70 | 15,83           | 47,71          | 25,34  | PHS 16B-2B36  |
|       | 38              | 307,59               | B    | 25                 | 75   | 140 | 70 | 15,83           | 47,71          | 27,95  | PHS 16B-2B38  |
|       | 42              | 339,90               | B    | 25                 | 95   | 140 | 70 | 15,83           | 47,71          | 32,35  | PHS 16B-2B42  |
|       | 45              | 364,13               | C    | 25                 | 85   | 140 | 70 | 15,83           | 47,71          | 22,00  | PHS 16B-2C45  |
|       | 57              | 461,07               | C    | 25                 | 85   | 150 | 85 | 15,83           | 47,71          | 34,50  | PHS 16B-2C57  |
|       | 60              | 485,32               | C    | 25                 | 95   | 150 | 85 | 15,83           | 47,71          | 52,14  | PHS 16B-2C60  |
|       | 68              | 549,98               | C    | 25                 | 96   | 160 | 90 | 15,83           | 47,71          | 60,93  | PHS 16B-2C68  |
|       | 76              | 614,65               | C    | 25                 | 100  | 160 | 90 | 15,83           | 47,71          | 51,50  | PHS 16B-2C76  |
|       | 80              | 646,96               | C    | 25                 | 102  | 160 | 90 | 15,83           | 47,71          | 74,13  | PHS 16B-2C80  |
|       | 95              | 768,22               | C    | 25                 | 100  | 160 | 90 | 15,83           | 47,71          | 90,62  | PHS 16B-2C95  |
|       | 114             | 921,81               | C    | 25                 | 102  | 160 | 90 | 15,83           | 47,71          | 111,51 | PHS 16B-2C114 |

Maximum bores can accommodate standard keyways. Larger bores are available.  
 All Type B or C sprockets, up to and including 25 tooth, are with hardened teeth as standard.  
 For any additional size sprockets with hardened teeth, add "H" before the number of teeth, e.g. PHS 06B-2BH12.

## Metric sprockets, duplex, standard

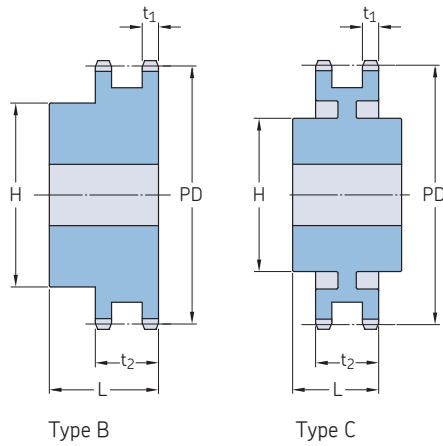
ISO 20B-2 · 31,75 mm pitch | ISO 24B-2 · 38,10 mm pitch | ISO 28B-2 · 44,45 mm pitch

| Pitch | Number of teeth | Pitch diameter<br>PD | Type   | Dimensions |      | Hub |     | Plate thickness |                | Mass   | Designation   |               |
|-------|-----------------|----------------------|--------|------------|------|-----|-----|-----------------|----------------|--------|---------------|---------------|
|       |                 |                      |        | Bore       |      | H   | L   | t <sub>1</sub>  | t <sub>2</sub> |        |               |               |
|       |                 |                      |        | Min.       | Max. |     |     |                 |                |        |               |               |
| mm    | -               | mm                   | -      | mm         |      |     |     |                 | kg             | -      |               |               |
| 31,75 | 10              | 102,75               | B      | 20         | 45   | 70  | 75  | 18,19           | 54,64          | 2,90   | PHS 20B-2BH10 |               |
|       | 11              | 112,70               | B      | 20         | 52   | 80  | 80  | 18,19           | 54,64          | 3,67   | PHS 20B-2BH11 |               |
|       | 12              | 122,67               | B      | 20         | 60   | 90  | 80  | 18,19           | 54,64          | 4,31   | PHS 20B-2BH12 |               |
|       | 13              | 132,67               | B      | 20         | 64   | 100 | 80  | 18,19           | 54,64          | 5,53   | PHS 20B-2BH13 |               |
|       | 14              | 142,68               | B      | 20         | 73   | 110 | 80  | 18,19           | 54,64          | 6,62   | PHS 20B-2BH14 |               |
|       | 15              | 152,71               | B      | 20         | 80   | 120 | 80  | 18,19           | 54,64          | 7,76   | PHS 20B-2BH15 |               |
|       | 16              | 162,75               | B      | 25         | 80   | 120 | 80  | 18,19           | 54,64          | 9,12   | PHS 20B-2BH16 |               |
|       | 17              | 172,79               | B      | 25         | 80   | 120 | 80  | 18,19           | 54,64          | 10,44  | PHS 20B-2BH17 |               |
|       | 18              | 182,84               | B      | 25         | 80   | 120 | 80  | 18,19           | 54,64          | 11,71  | PHS 20B-2BH18 |               |
|       | 19              | 192,90               | B      | 25         | 80   | 120 | 80  | 18,19           | 54,64          | 12,92  | PHS 20B-2BH19 |               |
|       | 20              | 202,96               | B      | 25         | 80   | 120 | 80  | 18,19           | 54,64          | 15,43  | PHS 20B-2BH20 |               |
|       | 21              | 213,03               | B      | 25         | 92   | 140 | 80  | 18,19           | 54,64          | 16,55  | PHS 20B-2BH21 |               |
|       | 22              | 223,10               | B      | 25         | 92   | 140 | 80  | 18,19           | 54,64          | 17,70  | PHS 20B-2BH22 |               |
|       | 23              | 233,17               | B      | 25         | 92   | 140 | 80  | 18,19           | 54,64          | 19,05  | PHS 20B-2BH23 |               |
|       | 24              | 243,25               | B      | 25         | 96   | 140 | 80  | 18,19           | 54,64          | 20,43  | PHS 20B-2BH24 |               |
|       | 25              | 253,32               | B      | 25         | 96   | 140 | 80  | 18,19           | 54,64          | 21,77  | PHS 20B-2BH25 |               |
|       | 26              | 263,41               | B      | 25         | 96   | 150 | 80  | 18,19           | 54,64          | 23,15  | PHS 20B-2BH26 |               |
|       | 27              | 273,49               | B      | 25         | 96   | 150 | 80  | 18,19           | 54,64          | 24,97  | PHS 20B-2BH27 |               |
|       | 28              | 283,57               | B      | 25         | 96   | 150 | 80  | 18,19           | 54,64          | 26,78  | PHS 20B-2BH28 |               |
|       | 30              | 303,75               | B      | 25         | 96   | 150 | 80  | 18,19           | 54,64          | 30,41  | PHS 20B-2B30  |               |
|       | 32              | 323,92               | B      | 25         | 96   | 150 | 80  | 18,19           | 54,64          | 32,22  | PHS 20B-2B32  |               |
|       | 35              | 354,20               | C      | 25         | 100  | 150 | 80  | 18,19           | 54,64          | 34,02  | PHS 20B-2C35  |               |
|       | 36              | 364,29               | C      | 30         | 100  | 150 | 80  | 18,19           | 54,64          | 34,70  | PHS 20B-2C36  |               |
|       | 38              | 384,48               | C      | 30         | 100  | 150 | 80  | 18,19           | 54,64          | 43,72  | PHS 20B-2C38  |               |
|       | 42              | 424,86               | C      | 30         | 100  | 160 | 90  | 18,19           | 54,64          | 43,55  | PHS 20B-2C42  |               |
|       | 45              | 455,15               | C      | 30         | 100  | 160 | 90  | 18,19           | 54,64          | 46,72  | PHS 20B-2C45  |               |
|       | 57              | 576,35               | C      | 30         | 100  | 160 | 100 | 18,19           | 54,64          | 64,10  | PHS 20B-2C57  |               |
|       | 60              | 606,66               | C      | 30         | 125  | 160 | 100 | 18,19           | 54,64          | 79,38  | PHS 20B-2C60  |               |
|       | 68              | 687,48               | C      | 30         | 125  | 180 | 100 | 18,19           | 54,64          | 87,74  | PHS 20B-2C68  |               |
|       | 76              | 768,30               | C      | 30         | 125  | 180 | 100 | 18,19           | 54,64          | 96,11  | PHS 20B-2C76  |               |
|       | 80              | 808,71               | C      | 30         | 125  | 180 | 100 | 18,19           | 54,64          | 100,30 | PHS 20B-2C80  |               |
|       | 95              | 960,28               | C      | 30         | 125  | 180 | 100 | 18,19           | 54,64          | 115,98 | PHS 20B-2C95  |               |
|       | 114             | 1 152,26             | C      | 30         | 125  | 180 | 100 | 18,19           | 54,64          | 135,85 | PHS 20B-2C114 |               |
|       | 38,10           | 11                   | 135,23 | B          | 25   | 60  | 90  | 100             | 23,62          | 71,98  | 6,50          | PHS 24B-2BH11 |
|       |                 | 12                   | 147,21 | B          | 25   | 67  | 102 | 100             | 23,62          | 71,98  | 8,13          | PHS 24B-2BH12 |
|       |                 | 13                   | 159,20 | B          | 25   | 76  | 114 | 100             | 23,62          | 71,98  | 9,92          | PHS 24B-2BH13 |
|       |                 | 14                   | 171,22 | B          | 25   | 84  | 128 | 100             | 23,62          | 71,98  | 11,98         | PHS 24B-2BH14 |
|       |                 | 15                   | 183,25 | B          | 25   | 93  | 132 | 100             | 23,62          | 71,98  | 14,13         | PHS 24B-2BH15 |
|       |                 | 16                   | 195,29 | B          | 25   | 100 | 136 | 100             | 23,62          | 71,98  | 16,35         | PHS 24B-2BH16 |
|       |                 | 17                   | 207,35 | B          | 25   | 100 | 136 | 100             | 23,62          | 71,98  | 17,85         | PHS 24B-2BH17 |
|       |                 | 18                   | 219,41 | B          | 25   | 108 | 150 | 100             | 23,62          | 71,98  | 20,35         | PHS 24B-2BH18 |
|       |                 | 19                   | 231,48 | B          | 25   | 108 | 160 | 100             | 23,62          | 71,98  | 22,56         | PHS 24B-2BH19 |
|       |                 | 20                   | 243,55 | B          | 25   | 108 | 160 | 100             | 23,62          | 71,98  | 24,78         | PHS 24B-2BH20 |
|       |                 | 21                   | 255,63 | B          | 25   | 108 | 160 | 100             | 23,62          | 71,98  | 26,99         | PHS 24B-2BH21 |
| 22    |                 | 267,72               | B      | 25         | 108  | 160 | 100 | 23,62           | 71,98          | 29,74  | PHS 24B-2BH22 |               |
| 23    |                 | 279,80               | B      | 25         | 108  | 160 | 100 | 23,62           | 71,98          | 32,87  | PHS 24B-2BH23 |               |
| 24    |                 | 291,90               | B      | 25         | 108  | 160 | 100 | 23,62           | 71,98          | 36,00  | PHS 24B-2BH24 |               |
| 25    |                 | 303,99               | B      | 25         | 108  | 160 | 100 | 23,62           | 71,98          | 39,13  | PHS 24B-2BH25 |               |
| 26    |                 | 316,09               | B      | 30         | 108  | 160 | 100 | 23,62           | 71,98          | 42,26  | PHS 24B-2B26  |               |
| 27    |                 | 328,19               | B      | 30         | 108  | 160 | 100 | 23,62           | 71,98          | 45,40  | PHS 24B-2B27  |               |
| 28    |                 | 340,29               | B      | 30         | 108  | 160 | 100 | 23,62           | 71,98          | 48,53  | PHS 24B-2B28  |               |
| 29    |                 | 352,39               | B      | 30         | 108  | 160 | 100 | 23,62           | 71,98          | 51,66  | PHS 24B-2B29  |               |
| 30    |                 | 364,49               | B      | 30         | 108  | 160 | 100 | 23,62           | 71,98          | 54,79  | PHS 24B-2B30  |               |
| 32    |                 | 388,71               | B      | 30         | 108  | 160 | 100 | 23,62           | 71,98          | 61,05  | PHS 24B-2B32  |               |
| 38    |                 | 461,37               | B      | 30         | 137  | 160 | 100 | 23,62           | 71,98          | 72,01  | PHS 24B-2B38  |               |
| 40    |                 | 485,60               | C      | 30         | 137  | 160 | 100 | 23,62           | 71,98          | 75,80  | PHS 24B-2C40  |               |
| 42    |                 | 509,83               | C      | 30         | 137  | 180 | 100 | 23,62           | 71,98          | 79,59  | PHS 24B-2C42  |               |
| 45    |                 | 546,19               | C      | 30         | 137  | 180 | 100 | 23,62           | 71,98          | 85,28  | PHS 24B-2C45  |               |
| 48    |                 | 582,54               | C      | 30         | 137  | 180 | 100 | 23,62           | 71,98          | 90,97  | PHS 24B-2C48  |               |
| 50    |                 | 606,78               | C      | 30         | 137  | 180 | 100 | 23,62           | 71,98          | 94,76  | PHS 24B-2C50  |               |
| 54    |                 | 655,26               | C      | 30         | 161  | 180 | 110 | 23,62           | 71,98          | 127,46 | PHS 24B-2C54  |               |
| 57    |                 | 691,62               | C      | 30         | 161  | 180 | 110 | 23,62           | 71,98          | 140,74 | PHS 24B-2C57  |               |
| 60    |                 | 727,99               | C      | 30         | 161  | 180 | 120 | 23,62           | 71,98          | 154,02 | PHS 24B-2C60  |               |
| 68    |                 | 824,97               | C      | 30         | 161  | 200 | 120 | 23,62           | 71,98          | 189,45 | PHS 24B-2C68  |               |
| 72    |                 | 873,46               | C      | 30         | 161  | 200 | 120 | 23,62           | 71,98          | 207,16 | PHS 24B-2C72  |               |
| 76    |                 | 921,96               | C      | 30         | 161  | 200 | 120 | 23,62           | 71,98          | 224,87 | PHS 24B-2C76  |               |
| 95    |                 | 1 152,33             | C      | 30         | 161  | 200 | 120 | 23,62           | 71,98          | 309,00 | PHS 24B-2C95  |               |
| 96    |                 | 1 164,46             | C      | 30         | 161  | 200 | 120 | 23,62           | 71,98          | 313,43 | PHS 24B-2C96  |               |
| 114   |                 | 1 382,72             | C      | 30         | 161  | 200 | 120 | 23,62           | 71,98          | 393,13 | PHS 24B-2C114 |               |
| 44,45 |                 | 11                   | 157,77 | B          | 25   | 73  | 112 | 120             | 29,36          | 88,90  | 10,21         | PHS 28B-2BH11 |
|       |                 | 12                   | 171,74 | B          | 25   | 84  | 125 | 120             | 29,36          | 88,90  | 13,02         | PHS 28B-2BH12 |
|       |                 | 13                   | 185,75 | B          | 25   | 84  | 125 | 120             | 29,36          | 88,90  | 16,00         | PHS 28B-2BH13 |
|       |                 | 14                   | 199,76 | B          | 25   | 87  | 125 | 120             | 29,36          | 88,90  | 19,28         | PHS 28B-2BH14 |

Maximum bores can accommodate standard keyways. Larger bores are available.  
 All Type B or C sprockets, up to and including 25 tooth, are with hardened teeth as standard.  
 For any additional size sprockets with hardened teeth, add "H" before the number of teeth, e.g. PHS 06B-2BH12.

**Metric sprockets, duplex, standard**

ISO 28B-2 · 44,45 mm pitch | ISO 32B-2 · 50,80 mm pitch



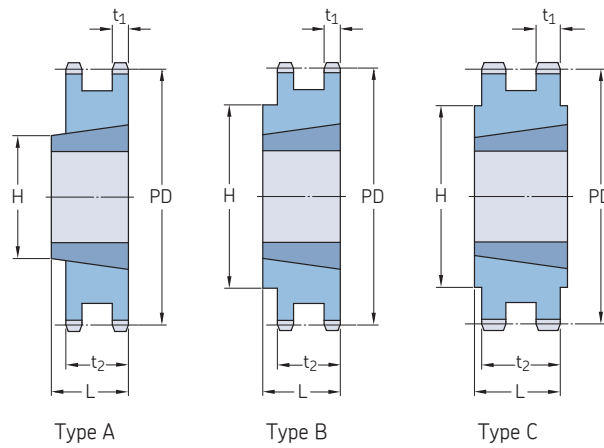
| Pitch | Number of teeth | Pitch diameter<br>PD | Type   | Dimensions<br>Bore |      | Hub |     | Plate thickness |                | Mass   | Designation   |               |
|-------|-----------------|----------------------|--------|--------------------|------|-----|-----|-----------------|----------------|--------|---------------|---------------|
|       |                 |                      |        | Min.               | Max. | H   | L   | t <sub>1</sub>  | t <sub>2</sub> |        |               |               |
| mm    | -               | mm                   | -      | mm                 |      |     |     |                 |                | kg     | -             |               |
| 44,45 | 15              | 213,79               | B      | 25                 | 96   | 145 | 120 | 29,36           | 88,90          | 22,91  | PHS 28B-2BH15 |               |
|       | 16              | 227,84               | B      | 30                 | 108  | 160 | 120 | 29,36           | 88,90          | 26,92  | PHS 28B-2BH16 |               |
|       | 17              | 241,91               | B      | 30                 | 114  | 160 | 120 | 29,36           | 88,90          | 30,83  | PHS 28B-2BH17 |               |
|       | 18              | 255,98               | B      | 30                 | 114  | 160 | 120 | 29,36           | 88,90          | 34,74  | PHS 28B-2BH18 |               |
|       | 19              | 270,06               | B      | 30                 | 133  | 180 | 120 | 29,36           | 88,90          | 38,93  | PHS 28B-2BH19 |               |
|       | 20              | 284,15               | B      | 30                 | 133  | 180 | 120 | 29,36           | 88,90          | 44,27  | PHS 28B-2BH20 |               |
|       | 21              | 298,24               | B      | 30                 | 133  | 180 | 120 | 29,36           | 88,90          | 45,08  | PHS 28B-2BH21 |               |
|       | 22              | 312,34               | B      | 30                 | 133  | 180 | 120 | 29,36           | 88,90          | 48,15  | PHS 28B-2BH22 |               |
|       | 23              | 326,44               | B      | 30                 | 133  | 180 | 120 | 29,36           | 88,90          | 51,59  | PHS 28B-2BH23 |               |
|       | 24              | 340,55               | B      | 30                 | 133  | 180 | 120 | 29,36           | 88,90          | 55,03  | PHS 28B-2BH24 |               |
|       | 25              | 354,66               | B      | 30                 | 133  | 180 | 120 | 29,36           | 88,90          | 58,47  | PHS 28B-2BH25 |               |
|       | 26              | 368,77               | B      | 30                 | 133  | 180 | 120 | 29,36           | 88,90          | 64,06  | PHS 28B-2B26  |               |
|       | 28              | 397,00               | B      | 30                 | 133  | 180 | 120 | 29,36           | 88,90          | 76,05  | PHS 28B-2B28  |               |
|       | 30              | 425,24               | B      | 30                 | 133  | 180 | 120 | 29,36           | 88,90          | 89,16  | PHS 28B-2B30  |               |
|       | 32              | 453,49               | B      | 30                 | 133  | 180 | 120 | 29,36           | 88,90          | 103,38 | PHS 28B-2B32  |               |
|       | 38              | 538,27               | B      | 30                 | 133  | 200 | 120 | 29,36           | 88,90          | 97,53  | PHS 28B-2B38  |               |
|       | 40              | 566,54               | C      | 30                 | 137  | 200 | 120 | 29,36           | 88,90          | 109,47 | PHS 28B-2C40  |               |
|       | 45              | 637,22               | C      | 30                 | 137  | 200 | 120 | 29,36           | 88,90          | 137,32 | PHS 28B-2C45  |               |
|       | 48              | 679,63               | C      | 30                 | 137  | 200 | 120 | 29,36           | 88,90          | 153,61 | PHS 28B-2C48  |               |
|       | 54              | 764,46               | C      | 30                 | 162  | 200 | 120 | 29,36           | 88,90          | 204,44 | PHS 28B-2C54  |               |
|       | 57              | 806,90               | C      | 30                 | 162  | 200 | 130 | 29,36           | 88,90          | 210,02 | PHS 28B-2C57  |               |
|       | 60              | 849,32               | C      | 30                 | 162  | 200 | 130 | 29,36           | 88,90          | 230,82 | PHS 28B-2C60  |               |
|       | 68              | 962,46               | C      | 30                 | 162  | 200 | 130 | 29,36           | 88,90          | 273,98 | PHS 28B-2C68  |               |
|       | 72              | 1 019,05             | C      | 30                 | 162  | 200 | 130 | 29,36           | 88,90          | 305,70 | PHS 28B-2C72  |               |
|       | 76              | 1 075,62             | C      | 30                 | 162  | 200 | 130 | 29,36           | 88,90          | 323,56 | PHS 28B-2C76  |               |
|       | 50,80           | 11                   | 180,34 | B                  | 30   | 80  | 120 | 120             | 28,83          | 87,38  | 10,42         | PHS 32B-2BH11 |
|       |                 | 12                   | 196,29 | B                  | 30   | 89  | 133 | 120             | 28,83          | 87,38  | 16,32         | PHS 32B-2BH12 |
|       |                 | 13                   | 212,29 | B                  | 30   | 96  | 145 | 120             | 28,83          | 87,38  | 21,77         | PHS 32B-2BH13 |
|       |                 | 14                   | 228,29 | B                  | 30   | 103 | 145 | 120             | 28,83          | 87,38  | 26,31         | PHS 32B-2BH14 |
|       |                 | 15                   | 244,30 | B                  | 30   | 106 | 160 | 120             | 28,83          | 87,38  | 30,84         | PHS 32B-2BH15 |
|       |                 | 16                   | 260,40 | B                  | 30   | 120 | 160 | 120             | 28,83          | 87,38  | 34,02         | PHS 32B-2BH16 |
|       |                 | 17                   | 276,40 | B                  | 30   | 120 | 180 | 120             | 28,83          | 87,38  | 41,28         | PHS 32B-2BH17 |
| 18    |                 | 292,55               | B      | 30                 | 120  | 180 | 120 | 28,83           | 87,38          | 43,55  | PHS 32B-2BH18 |               |
| 19    |                 | 308,66               | B      | 30                 | 120  | 200 | 120 | 28,83           | 87,38          | 48,53  | PHS 32B-2BH19 |               |
| 20    |                 | 324,71               | B      | 30                 | 130  | 200 | 120 | 28,83           | 87,38          | 53,98  | PHS 32B-2BH20 |               |
| 21    |                 | 340,82               | B      | 30                 | 130  | 200 | 120 | 28,83           | 87,38          | 58,97  | PHS 32B-2BH21 |               |
| 22    |                 | 356,98               | B      | 30                 | 130  | 200 | 120 | 28,83           | 87,38          | 63,96  | PHS 32B-2BH22 |               |
| 23    |                 | 373,08               | B      | 30                 | 130  | 200 | 120 | 28,83           | 87,38          | 71,21  | PHS 32B-2BH23 |               |
| 24    |                 | 389,18               | B      | 30                 | 130  | 200 | 120 | 28,83           | 87,38          | 77,57  | PHS 32B-2BH24 |               |
| 25    |                 | 405,33               | B      | 30                 | 130  | 200 | 120 | 28,83           | 87,38          | 84,82  | PHS 32B-2BH25 |               |
| 26    |                 | 421,44               | B      | 30                 | 130  | 200 | 120 | 28,83           | 87,38          | 91,17  | PHS 32B-2B26  |               |
| 28    |                 | 453,69               | B      | 30                 | 130  | 200 | 120 | 28,83           | 87,38          | 101,13 | PHS 32B-2B28  |               |
| 30    |                 | 486,00               | B      | 30                 | 130  | 200 | 120 | 28,83           | 87,38          | 116,57 | PHS 32B-2B30  |               |
| 38    |                 | 615,14               | B      | 30                 | 178  | 200 | 120 | 28,83           | 87,38          | 170,25 | PHS 32B-2B38  |               |
| 40    |                 | 647,49               | C      | 30                 | 178  | 200 | 120 | 28,83           | 87,38          | 177,46 | PHS 32B-2C40  |               |
| 45    |                 | 728,26               | C      | 30                 | 178  | 200 | 120 | 28,83           | 87,38          | 195,50 | PHS 32B-2C45  |               |
| 48    |                 | 776,72               | C      | 30                 | 178  | 200 | 120 | 28,83           | 87,38          | 204,51 | PHS 32B-2C48  |               |
| 54    |                 | 873,68               | C      | 30                 | 178  | 220 | 120 | 28,83           | 87,38          | 222,53 | PHS 32B-2C54  |               |
| 57    |                 | 922,16               | C      | 30                 | 178  | 220 | 120 | 28,83           | 87,38          | 231,54 | PHS 32B-2C57  |               |
| 68    |                 | 1 099,96             | C      | 30                 | 178  | 220 | 130 | 28,83           | 87,38          | 255,83 | PHS 32B-2C68  |               |
| 76    |                 | 1 229,28             | C      | 30                 | 178  | 220 | 130 | 28,83           | 87,38          | 292,83 | PHS 32B-2C76  |               |

Maximum bores can accommodate standard keyways. Larger bores are available.  
 All Type B or C sprockets, up to and including 25 tooth, are with hardened teeth as standard.  
 For any additional size sprockets with hardened teeth, add "H" before the number of teeth, e.g. PHS 06B-2BH12.



# Metric sprockets, duplex, taper bushed

ISO 06B-2 · 9,525 mm pitch | ISO 08B-2 · 12,70 mm pitch

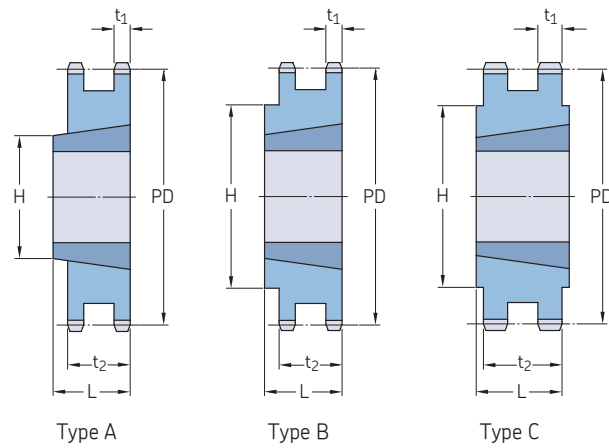


| Pitch | Number of teeth | Pitch diameter<br>PD | Type  | Bushing number | Dimensions Bore |      | L    | H    | Plate thickness |                | Mass Rim | Bushing | Designation    |                |
|-------|-----------------|----------------------|-------|----------------|-----------------|------|------|------|-----------------|----------------|----------|---------|----------------|----------------|
|       |                 |                      |       |                | Min.            | Max. |      |      | t <sub>1</sub>  | t <sub>2</sub> |          |         |                |                |
| mm    | -               | mm                   | -     | -              | mm              |      |      |      |                 |                | kg       | -       | -              |                |
| 9,525 | 16              | 48,82                | B     | 1008           | 9               | 25,4 | 22,0 | 41   | 5,20            | 15,44          | 0,06     | 0,12    | PHS 06B-2TBH16 |                |
|       | 17              | 51,83                | B     | 1008           | 9               | 25,4 | 22,0 | 41   | 5,20            | 15,44          | 0,12     | 0,09    | PHS 06B-2TBH17 |                |
|       | 18              | 54,85                | B     | 1008           | 9               | 25,4 | 22,0 | 45   | 5,20            | 15,44          | 0,18     | 0,09    | PHS 06B-2TBH18 |                |
|       | 19              | 57,87                | B     | 1008           | 9               | 25,4 | 22,0 | 46   | 5,20            | 15,44          | 0,20     | 0,09    | PHS 06B-2TBH19 |                |
|       | 20              | 60,89                | B     | 1008           | 9               | 25,4 | 22,0 | 48   | 5,20            | 15,44          | 0,24     | 0,09    | PHS 06B-2TBH20 |                |
|       | 21              | 63,91                | B     | 1008           | 9               | 25,4 | 22,0 | 49   | 5,20            | 15,44          | 0,29     | 0,09    | PHS 06B-2TBH21 |                |
|       | 22              | 66,93                | B     | 1108           | 9               | 25,4 | 22,0 | 52   | 5,20            | 15,44          | 0,30     | 0,12    | PHS 06B-2TBH22 |                |
|       | 23              | 69,95                | B     | 1210           | 11              | 31,8 | 25,0 | 59   | 5,20            | 15,44          | 0,26     | 0,21    | PHS 06B-2TBH23 |                |
|       | 24              | 72,97                | B     | 1210           | 11              | 31,8 | 25,0 | 63   | 5,20            | 15,44          | 0,34     | 0,21    | PHS 06B-2TBH24 |                |
|       | 25              | 76,00                | B     | 1210           | 11              | 31,8 | 25,0 | 64   | 5,20            | 15,44          | 0,41     | 0,21    | PHS 06B-2TBH25 |                |
|       | 26              | 79,02                | B     | 1210           | 11              | 31,8 | 25,0 | 65   | 5,20            | 15,44          | 0,45     | 0,21    | PHS 06B-2TB26  |                |
|       | 27              | 82,05                | B     | 1210           | 11              | 31,8 | 25,0 | 70   | 5,20            | 15,44          | 0,50     | 0,21    | PHS 06B-2TB27  |                |
|       | 28              | 85,07                | B     | 1210           | 11              | 31,8 | 25,0 | 70   | 5,20            | 15,44          | 0,54     | 0,21    | PHS 06B-2TB28  |                |
|       | 29              | 88,09                | B     | 1210           | 11              | 31,8 | 25,0 | 70   | 5,20            | 15,44          | 0,51     | 0,21    | PHS 06B-2TB29  |                |
|       | 30              | 91,12                | B     | 1210           | 11              | 31,8 | 25,0 | 75   | 5,20            | 15,44          | 0,61     | 0,21    | PHS 06B-2TB30  |                |
|       | 32              | 97,17                | B     | 1610           | 14              | 41,3 | 25,0 | 80   | 5,20            | 15,44          | 0,75     | 0,31    | PHS 06B-2TB32  |                |
|       | 35              | 106,26               | B     | 1610           | 14              | 41,3 | 25,0 | 80   | 5,20            | 15,44          | 0,95     | 0,31    | PHS 06B-2TB35  |                |
|       | 38              | 115,35               | B     | 1610           | 14              | 41,3 | 25,0 | 80   | 5,20            | 15,44          | 1,16     | 0,31    | PHS 06B-2TB38  |                |
|       | 40              | 121,40               | B     | 1610           | 14              | 41,3 | 25,0 | 80   | 5,20            | 15,44          | 1,30     | 0,31    | PHS 06B-2TB40  |                |
|       | 45              | 136,55               | B     | 1610           | 14              | 41,3 | 25,0 | 80   | 5,20            | 15,44          | 1,64     | 0,31    | PHS 06B-2TB45  |                |
|       | 48              | 145,64               | B     | 1610           | 14              | 41,3 | 25,0 | 80   | 5,20            | 15,44          | 1,85     | 0,31    | PHS 06B-2TB48  |                |
|       | 54              | 163,82               | B     | 1610           | 14              | 41,3 | 25,0 | 80   | 5,20            | 15,44          | 2,26     | 0,31    | PHS 06B-2TB54  |                |
|       | 57              | 172,91               | B     | 1610           | 14              | 41,3 | 25,0 | 80   | 5,20            | 15,44          | 1,75     | 0,31    | PHS 06B-2TB57  |                |
|       | 60              | 182,00               | B     | 1610           | 14              | 41,3 | 25,0 | 80   | 5,20            | 15,44          | 2,67     | 0,31    | PHS 06B-2TB60  |                |
|       | 70              | 212,30               | B     | 1610           | 14              | 41,3 | 25,0 | 80   | 5,20            | 15,44          | 3,36     | 0,31    | PHS 06B-2TB70  |                |
|       | 76              | 230,49               | B     | 1610           | 14              | 41,3 | 25,0 | 80   | 5,20            | 15,44          | 3,19     | 0,31    | PHS 06B-2TB76  |                |
|       | 95              | 288,08               | B     | 1610           | 14              | 41,3 | 25,0 | 90   | 5,20            | 15,44          | 5,08     | 0,31    | PHS 06B-2TB95  |                |
|       | 114             | 345,68               | B     | 1615           | 14              | 50,8 | 38,0 | 95   | 5,20            | 15,44          | 6,39     | 0,59    | PHS 06B-2TB114 |                |
|       | 12,70           | 15                   | 61,09 | A              | 1008            | 9    | 25,4 | 22,0 | 46              | 7,24           | 21,13    | 0,23    | 0,09           | PHS 08B-2TBH15 |
|       |                 | 16                   | 65,10 | A              | 1108            | 9    | 28,0 | 22,0 | 50              | 7,24           | 21,13    | 0,25    | 0,12           | PHS 08B-2TBH16 |
| 17    |                 | 69,11                | A     | 1210           | 11              | 31,8 | 25,0 | 56   | 7,24            | 21,13          | 0,26     | 0,21    | PHS 08B-2TBH17 |                |
| 18    |                 | 73,14                | B     | 1210           | 11              | 31,8 | 25,0 | 60   | 7,24            | 21,13          | 0,31     | 0,21    | PHS 08B-2TBH18 |                |
| 19    |                 | 77,16                | B     | 1210           | 11              | 31,8 | 25,0 | 62   | 7,24            | 21,13          | 0,43     | 0,21    | PHS 08B-2TBH19 |                |
| 20    |                 | 81,19                | B     | 1610           | 14              | 41,3 | 25,0 | 68   | 7,24            | 21,13          | 0,45     | 0,31    | PHS 08B-2TBH20 |                |
| 21    |                 | 85,22                | B     | 1610           | 14              | 41,3 | 25,0 | 70   | 7,24            | 21,13          | 0,48     | 0,31    | PHS 08B-2TBH21 |                |
| 22    |                 | 89,24                | B     | 1610           | 14              | 41,3 | 25,0 | 76   | 7,24            | 21,13          | 0,54     | 0,31    | PHS 08B-2TBH22 |                |
| 23    |                 | 93,27                | B     | 1610           | 14              | 41,3 | 25,0 | 79   | 7,24            | 21,13          | 0,66     | 0,31    | PHS 08B-2TBH23 |                |
| 24    |                 | 97,29                | B     | 1610           | 14              | 50,8 | 32,0 | 84   | 7,24            | 21,13          | 0,60     | 0,59    | PHS 08B-2TBH24 |                |
| 25    |                 | 101,33               | B     | 2012           | 14              | 50,8 | 32,0 | 87   | 7,24            | 21,13          | 0,74     | 0,59    | PHS 08B-2TBH25 |                |
| 26    |                 | 105,36               | B     | 2012           | 14              | 50,8 | 32,0 | 87   | 7,24            | 21,13          | 0,81     | 0,59    | PHS 08B-2TB26  |                |
| 27    |                 | 109,40               | B     | 2012           | 14              | 50,8 | 32,0 | 87   | 7,24            | 21,13          | 0,92     | 0,59    | PHS 08B-2TB27  |                |
| 28    |                 | 113,42               | B     | 2012           | 14              | 50,8 | 32,0 | 87   | 7,24            | 21,13          | 1,03     | 0,59    | PHS 08B-2TB28  |                |
| 29    |                 | 117,46               | B     | 2012           | 14              | 50,8 | 32,0 | 87   | 7,24            | 21,13          | 1,16     | 0,59    | PHS 08B-2TB29  |                |
| 30    |                 | 121,50               | B     | 2012           | 14              | 50,8 | 32,0 | 87   | 7,24            | 21,13          | 1,25     | 0,59    | PHS 08B-2TB30  |                |
| 35    |                 | 141,68               | B     | 2012           | 14              | 50,8 | 32,0 | 100  | 7,24            | 21,13          | 1,65     | 0,59    | PHS 08B-2TB35  |                |
| 36    |                 | 145,72               | B     | 2012           | 14              | 50,8 | 32,0 | 100  | 7,24            | 21,13          | 2,05     | 0,59    | PHS 08B-2TB36  |                |
| 38    |                 | 153,80               | B     | 2012           | 14              | 50,8 | 32,0 | 100  | 7,24            | 21,13          | 2,53     | 0,59    | PHS 08B-2TB38  |                |
| 42    |                 | 169,94               | C     | 2517           | 16              | 63,5 | 32,0 | 100  | 7,24            | 21,13          | 3,13     | 1,30    | PHS 08B-2TB42  |                |
| 45    |                 | 182,07               | C     | 2012           | 14              | 50,8 | 32,0 | 100  | 7,24            | 21,13          | 3,73     | 0,59    | PHS 08B-2TB45  |                |
| 48    |                 | 194,18               | C     | 2517           | 16              | 63,5 | 32,0 | 100  | 7,24            | 21,13          | 3,84     | 1,30    | PHS 08B-2TB48  |                |
| 54    |                 | 218,42               | C     | 2517           | 16              | 63,5 | 32,0 | 100  | 7,24            | 21,13          | 3,95     | 1,30    | PHS 08B-2TB54  |                |
| 57    |                 | 230,53               | C     | 2012           | 14              | 50,8 | 32,0 | 100  | 7,24            | 21,13          | 4,07     | 0,59    | PHS 08B-2TB57  |                |
| 60    |                 | 242,66               | C     | 2517           | 16              | 63,5 | 32,0 | 100  | 7,24            | 21,13          | 4,20     | 1,30    | PHS 08B-2TB60  |                |

All Type B or C sprockets, up to and including 25 tooth, are with hardened teeth as standard.  
For any additional size sprockets with hardened teeth, add "H" before the number of teeth, e.g. PHS 06B-2TBH16.

**Metric sprockets, duplex, taper bushed**

ISO 08B-2 · 12,70 mm pitch | ISO 10B-2 · 15,88 mm pitch | ISO 12B-2 · 19,05 mm pitch



| Pitch | Number of teeth | Pitch diameter<br>PD | Type  | Bushing number | Dimensions Bore |      | L    | H    | Plate thickness |                | Mass Rim | Bushing | Designation    |                |
|-------|-----------------|----------------------|-------|----------------|-----------------|------|------|------|-----------------|----------------|----------|---------|----------------|----------------|
|       |                 |                      |       |                | Min.            | Max. |      |      | t <sub>1</sub>  | t <sub>2</sub> |          |         |                |                |
| mm    | -               | mm                   | -     | -              | mm              |      |      |      |                 |                | kg       | -       | -              |                |
| 12,70 | 68              | 274,99               | C     | 2517           | 16              | 63,5 | 32,0 | 100  | 7,24            | 21,13          | 4,33     | 1,30    | PHS 08B-2TB68  |                |
|       | 70              | 283,07               | C     | 2517           | 16              | 63,5 | 32,0 | 100  | 7,24            | 21,13          | 4,46     | 1,30    | PHS 08B-2TB70  |                |
|       | 72              | 291,15               | C     | 2517           | 16              | 63,5 | 32,0 | 100  | 7,24            | 21,13          | 4,59     | 1,30    | PHS 08B-2TB72  |                |
|       | 76              | 307,31               | C     | 2012           | 14              | 50,8 | 32,0 | 100  | 7,24            | 21,13          | 4,72     | 0,59    | PHS 08B-2TB76  |                |
|       | 84              | 339,65               | C     | 2517           | 16              | 63,5 | 32,0 | 100  | 7,24            | 21,13          | 6,45     | 1,30    | PHS 08B-2TB84  |                |
|       | 95              | 384,10               | C     | 2012           | 14              | 50,8 | 32,0 | 100  | 7,24            | 21,13          | 8,18     | 0,59    | PHS 08B-2TB95  |                |
|       | 96              | 388,15               | C     | 2517           | 16              | 63,5 | 32,0 | 110  | 7,24            | 21,13          | 9,00     | 1,30    | PHS 08B-2TB96  |                |
|       | 114             | 460,90               | C     | 2517           | 16              | 63,5 | 45,0 | 110  | 7,24            | 21,13          | 10,50    | 1,30    | PHS 08B-2TB114 |                |
|       | 15,88           | 14                   | 71,34 | A              | 1008            | 9    | 25,4 | 25,5 | -               | 8,97           | 25,22    | 0,43    | 0,09           | PHS 10B-2TBH14 |
|       |                 | 15                   | 76,36 | A              | 1210            | 11   | 31,8 | 25,5 | -               | 8,97           | 25,22    | 0,39    | 0,21           | PHS 10B-2TBH15 |
| 16    |                 | 81,37                | A     | 1610           | 14              | 41,3 | 25,5 | -    | 8,97            | 25,22          | 0,35     | 0,31    | PHS 10B-2TBH16 |                |
| 17    |                 | 86,39                | A     | 1610           | 14              | 41,3 | 25,5 | -    | 8,97            | 25,22          | 0,46     | 0,31    | PHS 10B-2TBH17 |                |
| 18    |                 | 91,42                | A     | 1610           | 14              | 41,3 | 25,5 | -    | 8,97            | 25,22          | 0,62     | 0,31    | PHS 10B-2TBH18 |                |
| 19    |                 | 96,45                | A     | 1610           | 14              | 41,3 | 25,5 | -    | 8,97            | 25,22          | 0,75     | 0,31    | PHS 10B-2TBH19 |                |
| 20    |                 | 101,49               | B     | 1610           | 14              | 41,3 | 25,5 | -    | 8,97            | 25,55          | 0,87     | 0,31    | PHS 10B-2TBH20 |                |
| 21    |                 | 106,52               | B     | 1610           | 14              | 41,3 | 25,5 | -    | 8,97            | 25,55          | 1,05     | 0,31    | PHS 10B-2TBH21 |                |
| 22    |                 | 111,55               | B     | 1610           | 14              | 41,3 | 25,5 | -    | 8,97            | 25,55          | 1,20     | 0,31    | PHS 10B-2TBH22 |                |
| 23    |                 | 116,58               | B     | 1610           | 14              | 41,3 | 25,5 | -    | 8,97            | 25,55          | 1,38     | 0,31    | PHS 10B-2TBH23 |                |
| 24    |                 | 121,62               | B     | 2012           | 14              | 50,8 | 32,0 | 90   | 8,97            | 25,55          | 1,43     | 0,59    | PHS 10B-2TBH24 |                |
| 25    |                 | 126,66               | B     | 2012           | 14              | 50,8 | 32,0 | 90   | 8,97            | 25,55          | 1,62     | 0,59    | PHS 10B-2TBH25 |                |
| 26    |                 | 131,70               | B     | 2012           | 14              | 50,8 | 32,0 | 90   | 8,97            | 25,55          | 1,79     | 0,59    | PHS 10B-2TB26  |                |
| 27    |                 | 136,75               | B     | 2012           | 14              | 50,8 | 32,0 | 90   | 8,97            | 25,55          | 2,00     | 0,59    | PHS 10B-2TB27  |                |
| 28    |                 | 141,78               | B     | 2012           | 14              | 50,8 | 32,0 | 90   | 8,97            | 25,55          | 2,20     | 0,59    | PHS 10B-2TB28  |                |
| 29    |                 | 146,83               | B     | 2012           | 14              | 50,8 | 32,0 | 90   | 8,97            | 25,55          | 2,43     | 0,59    | PHS 10B-2TB29  |                |
| 30    |                 | 151,87               | B     | 2012           | 14              | 50,8 | 32,0 | 90   | 8,97            | 25,55          | 2,66     | 0,59    | PHS 10B-2TB30  |                |
| 36    |                 | 182,15               | C     | 2517           | 16              | 63,5 | 45,0 | 110  | 8,97            | 25,55          | 4,33     | 1,30    | PHS 10B-2TB36  |                |
| 38    |                 | 192,24               | C     | 2517           | 14              | 50,8 | 45,0 | 110  | 8,97            | 25,55          | 4,88     | 0,59    | PHS 10B-2TB38  |                |
| 42    |                 | 212,44               | C     | 2517           | 16              | 63,5 | 45,0 | 110  | 8,97            | 25,55          | 5,99     | 1,30    | PHS 10B-2TB42  |                |
| 45    |                 | 227,58               | C     | 2517           | 16              | 63,5 | 45,0 | 110  | 8,97            | 25,55          | 6,83     | 1,30    | PHS 10B-2TB45  |                |
| 48    |                 | 242,73               | C     | 2517           | 16              | 63,5 | 45,0 | 110  | 8,97            | 25,55          | 7,66     | 1,30    | PHS 10B-2TB48  |                |
| 57    |                 | 288,18               | C     | 2517           | 16              | 63,5 | 45,0 | 110  | 8,97            | 25,55          | 10,15    | 1,30    | PHS 10B-2TB57  |                |
| 60    |                 | 303,32               | C     | 2517           | 16              | 63,5 | 45,0 | 110  | 8,97            | 25,55          | 10,99    | 1,30    | PHS 10B-2TB60  |                |
| 68    |                 | 343,74               | C     | 2517           | 16              | 63,5 | 45,0 | 110  | 8,97            | 25,55          | 13,21    | 1,30    | PHS 10B-2TB68  |                |
| 76    |                 | 384,16               | C     | 2517           | 16              | 63,5 | 45,0 | 110  | 8,97            | 25,55          | 15,43    | 1,30    | PHS 10B-2TB76  |                |
| 84    |                 | 424,57               | C     | 2517           | 16              | 63,5 | 45,0 | 110  | 8,97            | 25,55          | 17,65    | 1,30    | PHS 10B-2TB84  |                |
| 95    |                 | 480,14               | C     | 2517           | 16              | 63,5 | 45,0 | 110  | 8,97            | 25,55          | 20,70    | 1,30    | PHS 10B-2TB95  |                |
| 114   |                 | 576,13               | C     | 2517           | 16              | 63,5 | 45,0 | 110  | 8,97            | 25,55          | 25,97    | 1,30    | PHS 10B-2TB114 |                |
| 19,05 |                 | 12                   | 73,61 | A              | 1215            | 11   | 31,8 | 30,3 | -               | 10,87          | 30,33    | 0,19    | 0,30           | PHS 12B-2TBH12 |
|       | 13              | 79,59                | A     | 1215           | 14              | 41,3 | 30,3 | -    | 10,87           | 30,33          | 0,36     | 0,30    | PHS 12B-2TBH13 |                |
|       | 14              | 85,61                | A     | 1215           | 14              | 41,3 | 30,3 | -    | 10,87           | 30,33          | 0,53     | 0,30    | PHS 12B-2TBH14 |                |
|       | 15              | 91,63                | A     | 1610           | 14              | 41,3 | 30,3 | -    | 10,87           | 30,33          | 0,70     | 0,31    | PHS 12B-2TBH15 |                |
|       | 16              | 97,65                | A     | 1610           | 14              | 41,3 | 30,3 | -    | 10,87           | 30,33          | 0,87     | 0,31    | PHS 12B-2TBH16 |                |
|       | 17              | 103,67               | A     | 1610           | 14              | 41,3 | 30,3 | -    | 10,87           | 30,33          | 1,10     | 0,31    | PHS 12B-2TBH17 |                |
|       | 18              | 109,71               | B     | 2012           | 14              | 50,8 | 31,8 | 90   | 10,87           | 30,33          | 1,05     | 0,59    | PHS 12B-2TBH18 |                |
|       | 19              | 115,75               | B     | 2012           | 14              | 50,8 | 32,0 | 90   | 10,87           | 30,33          | 1,29     | 0,59    | PHS 12B-2TBH19 |                |
|       | 20              | 121,78               | B     | 2517           | 16              | 63,5 | 45,0 | 102  | 10,87           | 30,33          | 1,34     | 1,30    | PHS 12B-2TBH20 |                |
|       | 21              | 127,82               | B     | 2517           | 16              | 63,5 | 45,0 | 108  | 10,87           | 30,33          | 1,71     | 1,30    | PHS 12B-2TBH21 |                |
|       | 22              | 133,86               | B     | 2517           | 16              | 63,5 | 45,0 | 108  | 10,87           | 30,33          | 2,03     | 1,30    | PHS 12B-2TBH22 |                |
|       | 23              | 139,90               | B     | 2517           | 16              | 63,5 | 45,0 | 108  | 10,87           | 30,33          | 2,51     | 1,30    | PHS 12B-2TBH23 |                |
|       | 24              | 145,94               | B     | 2517           | 16              | 63,5 | 45,0 | 108  | 10,87           | 30,33          | 2,58     | 1,30    | PHS 12B-2TBH24 |                |
|       | 25              | 152,00               | B     | 2517           | 16              | 63,5 | 45,0 | 108  | 10,87           | 30,33          | 3,38     | 1,30    | PHS 12B-2TBH25 |                |
|       | 26              | 158,04               | B     | 2517           | 16              | 63,5 | 45,0 | 108  | 10,87           | 30,33          | 3,24     | 1,30    | PHS 12B-2TB26  |                |
|       | 27              | 164,09               | B     | 2517           | 16              | 63,5 | 45,0 | 108  | 10,87           | 30,33          | 4,00     | 1,30    | PHS 12B-2TB27  |                |

All Type B or C sprockets, up to and including 25 tooth, are with hardened teeth as standard.  
For any additional size sprockets with hardened teeth, add "H" before the number of teeth, e.g. PHS 06B-2TBH16.

## Metric sprockets, duplex, taper bushed

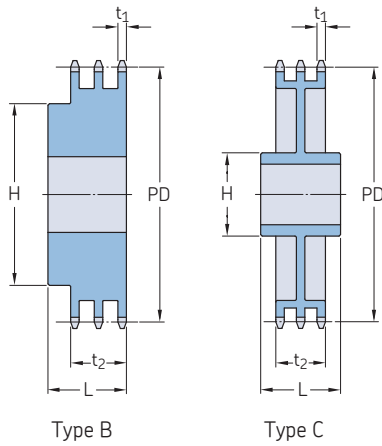
ISO 12B-2 · 19,05 mm pitch | ISO 16B-2 · 25,40 mm pitch

| Pitch | Number of teeth | Pitch diameter<br>PD | Type | Bushing number | Dimensions Bore |       |      |       | Plate thickness |                | Mass Rim | Bushing        | Designation    |
|-------|-----------------|----------------------|------|----------------|-----------------|-------|------|-------|-----------------|----------------|----------|----------------|----------------|
|       |                 |                      |      |                | Min.            | Max.  | L    | H     | t <sub>1</sub>  | t <sub>2</sub> |          |                |                |
|       |                 |                      |      |                |                 |       |      |       |                 |                |          |                |                |
| mm    | –               | mm                   | –    | –              | mm              |       |      |       |                 | kg             | –        | –              |                |
| 19,05 | 28              | 170,13               | B    | 2517           | 16              | 63,5  | 45,0 | 108   | 10,87           | 30,33          | 3,92     | 1,30           | PHS 12B-2TB28  |
|       | 30              | 182,25               | B    | 2517           | 16              | 63,5  | 45,0 | 108   | 10,87           | 30,33          | 5,14     | 1,30           | PHS 12B-2TB30  |
|       | 32              | 194,36               | B    | 2517           | 16              | 63,5  | 44,5 | 130   | 10,87           | 30,33          | 5,92     | 1,30           | PHS 12B-2TB32  |
|       | 35              | 212,52               | B    | 2517           | 16              | 63,5  | 44,5 | 130   | 10,87           | 30,33          | 7,08     | 1,30           | PHS 12B-2TB35  |
|       | 38              | 230,69               | B    | 3020           | 25              | 76,2  | 51,0 | 140   | 10,87           | 30,33          | 6,95     | 2,24           | PHS 12B-2TB38  |
|       | 40              | 242,81               | C    | 3020           | 25              | 76,2  | 51,0 | 140   | 10,87           | 30,33          | 9,03     | 2,24           | PHS 12B-2TB40  |
|       | 42              | 254,93               | C    | 3020           | 25              | 76,2  | 51,0 | 140   | 10,87           | 30,33          | 9,81     | 2,24           | PHS 12B-2TB42  |
|       | 45              | 273,10               | C    | 3020           | 25              | 76,2  | 51,0 | 140   | 10,87           | 30,33          | 9,33     | 2,24           | PHS 12B-2TB45  |
|       | 54              | 327,64               | C    | 3020           | 25              | 76,2  | 51,0 | 140   | 10,87           | 30,33          | 14,47    | 2,24           | PHS 12B-2TB54  |
|       | 57              | 345,81               | C    | 3020           | 25              | 76,2  | 51,0 | 140   | 10,87           | 30,33          | 10,50    | 2,24           | PHS 12B-2TB57  |
|       | 60              | 363,99               | C    | 3020           | 25              | 76,2  | 51,0 | 140   | 10,87           | 30,33          | 16,80    | 2,24           | PHS 12B-2TB60  |
|       | 65              | 394,29               | C    | 3020           | 25              | 76,2  | 51,0 | 140   | 10,87           | 30,33          | 18,75    | 2,24           | PHS 12B-2TB65  |
|       | 70              | 424,60               | C    | 3020           | 25              | 76,2  | 51,0 | 140   | 10,87           | 30,33          | 20,69    | 2,24           | PHS 12B-2TB70  |
|       | 76              | 460,99               | C    | 3020           | 25              | 76,2  | 51,0 | 140   | 10,87           | 30,33          | 17,06    | 2,24           | PHS 12B-2TB76  |
| 84    | 509,48          | C                    | 3020 | 25             | 76,2            | 51,0  | 140  | 10,87 | 30,33           | 26,13          | 2,24     | PHS 12B-2TB84  |                |
| 95    | 576,17          | C                    | 3020 | 25             | 76,2            | 51,0  | 140  | 10,87 | 30,33           | 28,50          | 2,24     | PHS 12B-2TB95  |                |
| 114   | 691,36          | C                    | 3020 | 25             | 76,2            | 76,0  | 140  | 10,87 | 30,33           | 37,80          | 2,24     | PHS 12B-2TB114 |                |
| 25,40 | 13              | 106,12               | A    | 1615           | 14              | 42,0  | 47,7 | –     | 15,83           | 47,71          | 0,51     | 0,59           | PHS 16B-2TBH13 |
|       | 14              | 114,15               | A    | 2012           | 14              | 50,8  | 47,7 | –     | 15,83           | 47,71          | 1,01     | 0,59           | PHS 16B-2TBH14 |
|       | 15              | 122,17               | A    | 2012           | 14              | 50,8  | 47,7 | –     | 15,83           | 47,71          | 2,12     | 0,59           | PHS 16B-2TBH15 |
|       | 16              | 130,20               | A    | 2517           | 16              | 63,5  | 47,7 | –     | 15,83           | 47,71          | 2,01     | 1,30           | PHS 16B-2TBH16 |
|       | 17              | 138,22               | A    | 2517           | 16              | 63,5  | 47,7 | –     | 15,83           | 47,71          | 2,51     | 1,30           | PHS 16B-2TBH17 |
|       | 18              | 146,28               | A    | 2517           | 16              | 63,5  | 47,7 | –     | 15,83           | 47,71          | 3,13     | 1,30           | PHS 16B-2TBH18 |
|       | 19              | 154,33               | A    | 2517           | 16              | 63,5  | 47,7 | –     | 15,83           | 47,71          | 3,76     | 1,30           | PHS 16B-2TBH19 |
|       | 20              | 162,38               | B    | 2517           | 16              | 63,5  | 47,7 | 140   | 15,83           | 47,71          | 4,43     | 1,30           | PHS 16B-2TBH20 |
|       | 21              | 170,43               | B    | 3020           | 25              | 76,2  | 51,0 | 140   | 15,83           | 47,71          | 4,13     | 2,24           | PHS 16B-2TBH21 |
|       | 22              | 178,48               | B    | 3020           | 25              | 76,2  | 51,0 | 140   | 15,83           | 47,71          | 4,95     | 2,24           | PHS 16B-2TBH22 |
|       | 23              | 186,53               | B    | 3020           | 25              | 76,2  | 51,0 | 140   | 15,83           | 47,71          | 5,80     | 2,24           | PHS 16B-2TBH23 |
|       | 24              | 194,59               | B    | 3020           | 25              | 76,2  | 51,0 | 140   | 15,83           | 47,71          | 6,68     | 2,24           | PHS 16B-2TBH24 |
|       | 25              | 202,66               | B    | 3020           | 25              | 76,2  | 51,0 | 140   | 15,83           | 47,71          | 7,65     | 2,24           | PHS 16B-2TBH25 |
|       | 26              | 210,72               | B    | 3020           | 25              | 76,2  | 51,0 | 140   | 15,83           | 47,71          | 8,50     | 2,24           | PHS 16B-2TB26  |
|       | 27              | 218,79               | B    | 3020           | 25              | 76,2  | 51,0 | 140   | 15,83           | 47,71          | 9,47     | 2,24           | PHS 16B-2TB27  |
|       | 28              | 226,85               | B    | 3020           | 25              | 76,2  | 51,0 | 140   | 15,83           | 47,71          | 10,46    | 2,24           | PHS 16B-2TB28  |
|       | 29              | 234,92               | B    | 3020           | 25              | 76,2  | 51,0 | 140   | 15,83           | 47,71          | 11,48    | 2,24           | PHS 16B-2TB29  |
|       | 30              | 243,00               | B    | 3020           | 25              | 76,2  | 51,0 | 140   | 15,83           | 47,71          | 12,50    | 3,04           | PHS 16B-2TB30  |
|       | 35              | 283,36               | C    | 3030           | 35              | 76,2  | 76,0 | 140   | 15,83           | 47,71          | 16,36    | 3,04           | PHS 16B-2TB35  |
|       | 38              | 307,59               | C    | 3030           | 25              | 63,5  | 51,0 | 140   | 15,83           | 47,71          | 13,48    | 3,04           | PHS 16B-2TB38  |
|       | 42              | 339,90               | C    | 3030           | 35              | 76,2  | 76,0 | 140   | 15,83           | 47,71          | 22,52    | 2,24           | PHS 16B-2TB42  |
|       | 45              | 364,13               | C    | 3030           | 35              | 76,2  | 76,0 | 140   | 15,83           | 47,71          | 18,30    | 3,04           | PHS 16B-2TB45  |
|       | 57              | 461,07               | C    | 3525           | 35              | 100,0 | 63,5 | 175   | 15,83           | 47,71          | 27,00    | 3,56           | PHS 16B-2TB57  |
|       | 76              | 614,65               | C    | 3525           | 35              | 100,0 | 63,5 | 175   | 15,83           | 47,71          | 43,50    | 3,56           | PHS 16B-2TB76  |
| 95    | 768,22          | C                    | 4040 | 40             | 101,6           | 102,0 | 215  | 15,83 | 47,71           | 67,00          | 5,54     | PHS 16B-2TB95  |                |
| 114   | 921,81          | C                    | 4040 | 40             | 101,6           | 102,0 | 215  | 15,83 | 47,71           | 85,88          | 5,54     | PHS 16B-2TB114 |                |

All Type B or C sprockets, up to and including 25 tooth, are with hardened teeth as standard.  
For any additional size sprockets with hardened teeth, add "H" before the number of teeth, e.g. PHS 06B-2TBH16.

Metric sprockets, triplex, standard

ISO 06B-3 · 9,525 mm pitch | ISO 08B-3 · 12,70 mm pitch



| Pitch | Number of teeth | Pitch diameter<br>PD | Type | Dimensions<br>Bore |      | Hub |      | Plate thickness |                | Mass           | Designation   |
|-------|-----------------|----------------------|------|--------------------|------|-----|------|-----------------|----------------|----------------|---------------|
|       |                 |                      |      | Min.               | Max. | H   | L    | t <sub>1</sub>  | t <sub>2</sub> |                |               |
| mm    | -               | mm                   | -    | mm                 |      |     |      |                 |                | kg             | -             |
| 9,525 | 12              | 36,80                | B    | 10                 | 16   | 25  | 35   | 5,20            | 25,70          | 0,23           | PHS 06B-3BH12 |
|       | 13              | 39,79                | B    | 10                 | 18   | 28  | 35   | 5,20            | 25,70          | 0,27           | PHS 06B-3BH13 |
|       | 14              | 42,80                | B    | 12                 | 18   | 31  | 35   | 5,20            | 25,70          | 0,32           | PHS 06B-3BH14 |
|       | 15              | 45,81                | B    | 12                 | 20   | 34  | 35   | 5,20            | 25,70          | 0,36           | PHS 06B-3BH15 |
|       | 16              | 48,82                | B    | 12                 | 20   | 37  | 35   | 5,20            | 25,70          | 0,45           | PHS 06B-3BH16 |
|       | 17              | 51,83                | B    | 12                 | 24   | 40  | 35   | 5,20            | 25,70          | 0,54           | PHS 06B-3BH17 |
|       | 18              | 54,85                | B    | 12                 | 25   | 43  | 35   | 5,20            | 25,70          | 0,64           | PHS 06B-3BH18 |
|       | 19              | 57,87                | B    | 12                 | 28   | 46  | 35   | 5,20            | 25,70          | 0,72           | PHS 06B-3BH19 |
|       | 20              | 60,89                | B    | 12                 | 30   | 49  | 35   | 5,20            | 25,70          | 0,77           | PHS 06B-3BH20 |
|       | 21              | 63,91                | B    | 14                 | 30   | 52  | 40   | 5,20            | 25,70          | 0,86           | PHS 06B-3BH21 |
|       | 22              | 66,93                | B    | 14                 | 35   | 55  | 40   | 5,20            | 25,70          | 0,95           | PHS 06B-3BH22 |
|       | 23              | 69,95                | B    | 14                 | 38   | 58  | 40   | 5,20            | 25,70          | 1,04           | PHS 06B-3BH23 |
|       | 24              | 72,97                | B    | 14                 | 39   | 61  | 40   | 5,20            | 25,70          | 1,18           | PHS 06B-3BH24 |
|       | 25              | 76,02                | B    | 14                 | 40   | 64  | 40   | 5,20            | 25,70          | 1,27           | PHS 06B-3BH25 |
|       | 26              | 79,02                | B    | 14                 | 42   | 67  | 40   | 5,20            | 25,70          | 1,31           | PHS 06B-3BH26 |
|       | 27              | 82,02                | B    | 14                 | 45   | 70  | 40   | 5,20            | 25,70          | 1,36           | PHS 06B-3BH27 |
|       | 28              | 85,07                | B    | 14                 | 48   | 73  | 40   | 5,20            | 25,70          | 1,50           | PHS 06B-3BH28 |
|       | 29              | 88,09                | B    | 14                 | 50   | 76  | 40   | 5,20            | 25,70          | 1,68           | PHS 06B-3BH29 |
|       | 30              | 91,12                | B    | 14                 | 52   | 79  | 40   | 5,20            | 25,70          | 1,72           | PHS 06B-3BH30 |
|       | 32              | 97,17                | B    | 16                 | 52   | 80  | 40   | 5,20            | 25,70          | 2,00           | PHS 06B-3BH32 |
|       | 35              | 106,26               | B    | 16                 | 52   | 85  | 40   | 5,20            | 25,70          | 2,25           | PHS 06B-3BH35 |
|       | 36              | 109,29               | B    | 16                 | 60   | 90  | 40   | 5,20            | 25,70          | 2,33           | PHS 06B-3BH36 |
|       | 38              | 115,35               | B    | 16                 | 60   | 90  | 40   | 5,20            | 25,70          | 2,49           | PHS 06B-3BH38 |
|       | 40              | 121,40               | B    | 16                 | 60   | 90  | 40   | 5,20            | 25,70          | 2,65           | PHS 06B-3BH40 |
|       | 42              | 127,46               | B    | 16                 | 60   | 90  | 56   | 5,20            | 25,70          | 2,81           | PHS 06B-3BH42 |
|       | 45              | 136,55               | B    | 16                 | 60   | 90  | 56   | 5,20            | 25,70          | 3,00           | PHS 06B-3BH45 |
|       | 48              | 145,64               | B    | 16                 | 60   | 90  | 56   | 5,20            | 25,70          | 3,20           | PHS 06B-3BH48 |
|       | 52              | 157,75               | B    | 16                 | 60   | 90  | 56   | 5,20            | 25,70          | 3,46           | PHS 06B-3BH52 |
|       | 57              | 172,91               | B    | 16                 | 60   | 90  | 56   | 5,20            | 25,70          | 4,77           | PHS 06B-3BH57 |
|       | 60              | 181,99               | B    | 16                 | 60   | 90  | 56   | 5,20            | 25,70          | 5,02           | PHS 06B-3BH60 |
|       | 68              | 206,24               | B    | 16                 | 60   | 90  | 56   | 5,20            | 25,70          | 5,69           | PHS 06B-3BH68 |
|       | 70              | 212,30               | B    | 16                 | 60   | 90  | 56   | 5,20            | 25,70          | 5,86           | PHS 06B-3BH70 |
| 72    | 218,37          | B                    | 16   | 60                 | 90   | 56  | 5,20 | 25,70           | 6,02           | PHS 06B-3BH72  |               |
| 76    | 230,49          | B                    | 16   | 64                 | 90   | 56  | 5,20 | 25,70           | 8,48           | PHS 06B-3BH76  |               |
| 84    | 254,74          | B                    | 16   | 64                 | 90   | 56  | 5,20 | 25,70           | 9,37           | PHS 06B-3BH84  |               |
| 95    | 288,08          | B                    | 16   | 64                 | 90   | 56  | 5,20 | 25,70           | 13,61          | PHS 06B-3BH95  |               |
| 96    | 291,11          | B                    | 16   | 64                 | 90   | 56  | 5,20 | 25,70           | 13,75          | PHS 06B-3BH96  |               |
| 114   | 345,69          | B                    | 16   | 64                 | 90   | 56  | 5,20 | 25,70           | 17,48          | PHS 06B-3BH114 |               |
| 12,70 | 11              | 45,07                | B    | 14                 | 22   | 32  | 50   | 7,24            | 35,05          | 0,32           | PHS 08B-3BH11 |
|       | 12              | 49,07                | B    | 14                 | 24   | 35  | 50   | 7,24            | 35,05          | 0,45           | PHS 08B-3BH12 |
|       | 13              | 53,06                | B    | 14                 | 25   | 38  | 50   | 7,24            | 35,05          | 0,59           | PHS 08B-3BH13 |
|       | 14              | 57,07                | B    | 14                 | 28   | 42  | 50   | 7,24            | 35,05          | 0,72           | PHS 08B-3BH14 |
|       | 15              | 61,09                | B    | 14                 | 31   | 46  | 50   | 7,24            | 35,05          | 0,81           | PHS 08B-3BH15 |
|       | 16              | 65,10                | B    | 16                 | 35   | 50  | 50   | 7,24            | 35,05          | 0,90           | PHS 08B-3BH16 |
|       | 17              | 69,11                | B    | 16                 | 36   | 54  | 50   | 7,24            | 35,05          | 1,04           | PHS 08B-3BH17 |
|       | 18              | 73,14                | B    | 16                 | 38   | 58  | 50   | 7,24            | 35,05          | 1,22           | PHS 08B-3BH18 |
|       | 19              | 77,16                | B    | 16                 | 40   | 62  | 50   | 7,24            | 35,05          | 1,41           | PHS 08B-3BH19 |
|       | 20              | 81,19                | B    | 16                 | 40   | 66  | 50   | 7,24            | 35,05          | 1,58           | PHS 08B-3BH20 |
|       | 21              | 85,22                | B    | 16                 | 45   | 70  | 55   | 7,24            | 35,05          | 1,81           | PHS 08B-3BH21 |
|       | 22              | 89,24                | B    | 16                 | 45   | 70  | 55   | 7,24            | 35,05          | 2,03           | PHS 08B-3BH22 |
|       | 23              | 93,27                | B    | 16                 | 45   | 70  | 55   | 7,24            | 35,05          | 2,27           | PHS 08B-3BH23 |
|       | 24              | 97,29                | B    | 16                 | 50   | 75  | 55   | 7,24            | 35,05          | 2,44           | PHS 08B-3BH24 |
|       | 25              | 101,33               | B    | 16                 | 52   | 80  | 55   | 7,24            | 35,05          | 2,54           | PHS 08B-3BH25 |

Maximum bores can accommodate standard keyways. Larger bores are available where a shallow keyway is used or no keyway is required. All Type B or C sprockets, up to and including 25 tooth, are with hardened teeth as standard. For any additional size sprockets with hardened teeth, add "H" before the number of teeth, e.g. PHS 06B-3BH12.

# Metric sprockets, triplex, standard

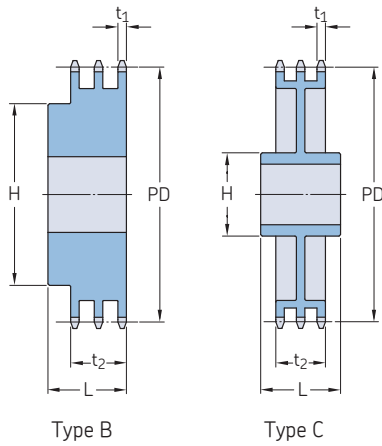
ISO 08B-3 · 12,70 mm pitch | ISO 10B-3 · 15,88 mm pitch | ISO 12B-3 · 19,05 mm pitch

| Pitch | Number of teeth | Pitch diameter | Type  | Dimensions |      | Hub |      | Plate thickness |                | Mass          | Designation   |               |
|-------|-----------------|----------------|-------|------------|------|-----|------|-----------------|----------------|---------------|---------------|---------------|
|       |                 |                |       | Bore       |      | H   | L    | t <sub>1</sub>  | t <sub>2</sub> |               |               |               |
|       |                 |                |       | Min.       | Max. |     |      |                 |                |               |               |               |
| mm    | -               | mm             | -     | mm         | mm   | mm  | mm   | mm              | mm             | kg            | -             |               |
| 12,70 | 26              | 105,36         | B     | 20         | 56   | 85  | 55   | 7,24            | 35,05          | 2,85          | PHS 08B-3B26  |               |
|       | 27              | 109,40         | B     | 20         | 56   | 85  | 55   | 7,24            | 35,05          | 2,85          | PHS 08B-3B27  |               |
|       | 28              | 113,42         | B     | 20         | 60   | 90  | 55   | 7,24            | 35,05          | 3,16          | PHS 08B-3B28  |               |
|       | 29              | 117,46         | B     | 20         | 62   | 95  | 55   | 7,24            | 35,05          | 3,34          | PHS 08B-3B29  |               |
|       | 30              | 121,50         | B     | 20         | 64   | 100 | 55   | 7,24            | 35,05          | 3,48          | PHS 08B-3B30  |               |
|       | 35              | 141,68         | B     | 20         | 73   | 110 | 55   | 7,24            | 35,05          | 4,79          | PHS 08B-3B35  |               |
|       | 36              | 145,72         | B     | 25         | 80   | 120 | 55   | 7,24            | 35,05          | 5,43          | PHS 08B-3B36  |               |
|       | 38              | 153,80         | B     | 25         | 80   | 120 | 55   | 7,24            | 35,05          | 6,49          | PHS 08B-3B38  |               |
|       | 42              | 169,95         | B     | 25         | 80   | 120 | 60   | 7,24            | 35,05          | 7,17          | PHS 08B-3B42  |               |
|       | 45              | 182,07         | B     | 25         | 80   | 120 | 60   | 7,24            | 35,05          | 7,69          | PHS 08B-3B45  |               |
|       | 48              | 194,18         | B     | 25         | 80   | 120 | 60   | 7,24            | 35,05          | 8,20          | PHS 08B-3B48  |               |
|       | 52              | 210,34         | B     | 25         | 80   | 120 | 60   | 7,24            | 35,05          | 8,88          | PHS 08B-3B52  |               |
|       | 54              | 218,43         | B     | 25         | 80   | 120 | 60   | 7,24            | 35,05          | 9,22          | PHS 08B-3B54  |               |
|       | 57              | 230,54         | B     | 25         | 80   | 120 | 60   | 7,24            | 35,05          | 12,62         | PHS 08B-3B57  |               |
|       | 60              | 242,66         | B     | 25         | 85   | 120 | 60   | 7,24            | 35,05          | 13,84         | PHS 08B-3B60  |               |
|       | 68              | 274,99         | B     | 25         | 85   | 120 | 60   | 7,24            | 35,05          | 15,69         | PHS 08B-3B68  |               |
|       | 72              | 291,16         | B     | 25         | 85   | 120 | 60   | 7,24            | 35,05          | 16,61         | PHS 08B-3B72  |               |
|       | 76              | 307,33         | B     | 25         | 85   | 120 | 60   | 7,24            | 35,05          | 22,23         | PHS 08B-3B76  |               |
|       | 84              | 339,65         | B     | 25         | 85   | 120 | 60   | 7,24            | 35,05          | 24,57         | PHS 08B-3B84  |               |
|       | 95              | 384,11         | B     | 25         | 85   | 120 | 60   | 7,24            | 35,05          | 33,11         | PHS 08B-3B95  |               |
|       | 114             | 460,90         | B     | 25         | 85   | 120 | 60   | 7,24            | 35,05          | 41,90         | PHS 08B-3B114 |               |
|       | 15,88           | 11             | 56,34 | B          | 16   | 24  | 39   | 55              | 8,97           | 42,14         | 0,68          | PHS 10B-3BH11 |
|       |                 | 12             | 61,34 | B          | 16   | 29  | 44   | 55              | 8,97           | 42,14         | 0,82          | PHS 10B-3BH12 |
|       |                 | 13             | 66,32 | B          | 16   | 34  | 49   | 55              | 8,97           | 42,14         | 1,05          | PHS 10B-3BH13 |
|       |                 | 14             | 71,34 | B          | 16   | 35  | 54   | 55              | 8,97           | 42,14         | 1,23          | PHS 10B-3BH14 |
|       |                 | 15             | 76,36 | B          | 16   | 38  | 59   | 55              | 8,97           | 42,14         | 1,36          | PHS 10B-3BH15 |
|       |                 | 16             | 81,37 | B          | 16   | 42  | 64   | 60              | 8,97           | 42,14         | 1,55          | PHS 10B-3BH16 |
|       |                 | 17             | 86,38 | B          | 16   | 45  | 69   | 60              | 8,97           | 42,14         | 1,81          | PHS 10B-3BH17 |
|       |                 | 18             | 91,42 | B          | 16   | 48  | 74   | 60              | 8,97           | 42,14         | 2,09          | PHS 10B-3BH18 |
|       |                 | 19             | 96,45 | B          | 16   | 52  | 79   | 60              | 8,97           | 42,14         | 2,40          | PHS 10B-3BH19 |
| 20    |                 | 101,49         | B     | 16         | 56   | 84  | 60   | 8,97            | 42,14          | 2,72          | PHS 10B-3BH20 |               |
| 21    |                 | 106,52         | B     | 20         | 56   | 85  | 60   | 8,97            | 42,14          | 3,04          | PHS 10B-3BH21 |               |
| 22    |                 | 111,55         | B     | 20         | 60   | 90  | 60   | 8,97            | 42,14          | 3,36          | PHS 10B-3BH22 |               |
| 23    |                 | 116,58         | B     | 20         | 62   | 95  | 60   | 8,97            | 42,14          | 3,67          | PHS 10B-3BH23 |               |
| 24    |                 | 121,62         | B     | 20         | 64   | 100 | 60   | 8,97            | 42,14          | 4,00          | PHS 10B-3BH24 |               |
| 25    |                 | 126,66         | B     | 20         | 68   | 105 | 60   | 8,97            | 42,14          | 4,31          | PHS 10B-3BH25 |               |
| 26    |                 | 131,70         | B     | 20         | 73   | 110 | 60   | 8,97            | 42,14          | 5,18          | PHS 10B-3B26  |               |
| 27    |                 | 136,75         | B     | 20         | 73   | 110 | 60   | 8,97            | 42,14          | 5,63          | PHS 10B-3B27  |               |
| 28    |                 | 141,78         | B     | 20         | 76   | 115 | 60   | 8,97            | 42,14          | 6,04          | PHS 10B-3B28  |               |
| 29    |                 | 146,83         | B     | 20         | 76   | 115 | 60   | 8,97            | 42,14          | 6,22          | PHS 10B-3B29  |               |
| 30    |                 | 151,87         | B     | 20         | 80   | 120 | 60   | 8,97            | 42,14          | 6,36          | PHS 10B-3B30  |               |
| 32    |                 | 161,95         | B     | 20         | 80   | 120 | 60   | 8,97            | 42,14          | 7,26          | PHS 10B-3B32  |               |
| 35    |                 | 177,10         | B     | 20         | 80   | 120 | 60   | 8,97            | 42,14          | 8,60          | PHS 10B-3B35  |               |
| 36    |                 | 182,15         | B     | 25         | 80   | 120 | 60   | 8,97            | 42,14          | 9,34          | PHS 10B-3B36  |               |
| 38    |                 | 192,24         | B     | 25         | 80   | 120 | 60   | 8,97            | 42,14          | 11,03         | PHS 10B-3B38  |               |
| 45    |                 | 227,58         | B     | 25         | 80   | 130 | 60   | 8,97            | 42,14          | 14,94         | PHS 10B-3B45  |               |
| 48    |                 | 242,73         | B     | 25         | 80   | 130 | 60   | 8,97            | 42,14          | 16,62         | PHS 10B-3B48  |               |
| 57    |                 | 288,18         | B     | 25         | 80   | 130 | 64   | 8,97            | 42,14          | 21,77         | PHS 10B-3B57  |               |
| 60    |                 | 303,32         | B     | 25         | 80   | 130 | 67   | 8,97            | 42,14          | 22,22         | PHS 10B-3B60  |               |
| 76    |                 | 384,16         | C     | 25         | 80   | 130 | 67   | 8,97            | 42,14          | 23,13         | PHS 10B-3C76  |               |
| 80    |                 | 404,35         | C     | 25         | 80   | 130 | 67   | 8,97            | 42,14          | 25,14         | PHS 10B-3C80  |               |
| 95    | 480,14          | C              | 25    | 80         | 130  | 67  | 8,97 | 42,14           | 32,66          | PHS 10B-3C95  |               |               |
| 114   | 576,13          | C              | 25    | 80         | 130  | 67  | 8,97 | 42,14           | 44,76          | PHS 10B-3C114 |               |               |
| 19,05 | 11              | 67,61          | B     | 20         | 32   | 47  | 70   | 10,87           | 49,78          | 1,13          | PHS 12B-3BH11 |               |
|       | 12              | 73,61          | B     | 20         | 36   | 53  | 70   | 10,87           | 49,78          | 1,50          | PHS 12B-3BH12 |               |
|       | 13              | 79,59          | B     | 20         | 38   | 59  | 70   | 10,87           | 49,78          | 1,77          | PHS 12B-3BH13 |               |
|       | 14              | 85,61          | B     | 20         | 42   | 65  | 70   | 10,87           | 49,78          | 2,04          | PHS 12B-3BH14 |               |
|       | 15              | 91,63          | B     | 20         | 45   | 71  | 70   | 10,87           | 49,78          | 2,45          | PHS 12B-3BH15 |               |
|       | 16              | 97,65          | B     | 20         | 51   | 77  | 70   | 10,87           | 49,78          | 2,95          | PHS 12B-3BH16 |               |
|       | 17              | 103,67         | B     | 20         | 54   | 83  | 70   | 10,87           | 49,78          | 3,49          | PHS 12B-3BH17 |               |
|       | 18              | 109,71         | B     | 20         | 60   | 89  | 70   | 10,87           | 49,78          | 3,86          | PHS 12B-3BH18 |               |
|       | 19              | 115,75         | B     | 20         | 62   | 95  | 70   | 10,87           | 49,78          | 4,54          | PHS 12B-3BH19 |               |
|       | 20              | 121,78         | B     | 20         | 64   | 100 | 70   | 10,87           | 49,78          | 5,08          | PHS 12B-3BH20 |               |
|       | 21              | 127,82         | B     | 20         | 64   | 100 | 70   | 10,87           | 49,78          | 5,67          | PHS 12B-3BH21 |               |
|       | 22              | 133,86         | B     | 20         | 64   | 100 | 70   | 10,87           | 49,78          | 5,99          | PHS 12B-3BH22 |               |
|       | 23              | 139,90         | B     | 20         | 73   | 110 | 70   | 10,87           | 49,78          | 6,62          | PHS 12B-3BH23 |               |
|       | 24              | 145,94         | B     | 20         | 73   | 110 | 70   | 10,87           | 49,78          | 7,17          | PHS 12B-3BH24 |               |
|       | 25              | 152,00         | B     | 20         | 80   | 120 | 70   | 10,87           | 49,78          | 7,71          | PHS 12B-3BH25 |               |
|       | 26              | 158,04         | B     | 20         | 80   | 120 | 70   | 10,87           | 49,78          | 8,44          | PHS 12B-3B26  |               |
|       | 27              | 164,09         | B     | 20         | 80   | 120 | 70   | 10,87           | 49,78          | 8,99          | PHS 12B-3B27  |               |
|       | 28              | 170,13         | B     | 20         | 80   | 120 | 70   | 10,87           | 49,78          | 9,49          | PHS 12B-3B28  |               |
|       | 29              | 176,19         | B     | 20         | 80   | 120 | 70   | 10,87           | 49,78          | 9,99          | PHS 12B-3B29  |               |
|       | 30              | 182,25         | B     | 20         | 80   | 120 | 70   | 10,87           | 49,78          | 10,53         | PHS 12B-3B30  |               |

Maximum bores can accommodate standard keyways. Larger bores are available where a shallow keyway is used or no keyway is required. All Type B or C sprockets, up to and including 25 tooth, are with hardened teeth as standard. For any additional size sprockets with hardened teeth, add "H" before the number of teeth, e.g. PHS 06B-3BH12.

**Metric sprockets, triplex, standard**

ISO 12B-3 · 19,05 mm pitch | ISO 16B-3 · 25,40 mm pitch | ISO 20B-3 · 31,75 mm pitch



| Pitch | Number of teeth | Pitch diameter<br>PD | Type | Dimensions<br>Bore |      | Hub |       | Plate thickness |                | Mass          | Designation   |
|-------|-----------------|----------------------|------|--------------------|------|-----|-------|-----------------|----------------|---------------|---------------|
|       |                 |                      |      | Min.               | Max. | H   | L     | t <sub>1</sub>  | t <sub>2</sub> |               |               |
| mm    | -               | mm                   | -    | mm                 |      |     |       |                 |                | kg            | -             |
| 19,05 | 35              | 212,52               | B    | 25                 | 85   | 130 | 70    | 10,87           | 49,78          | 18,95         | PHS 12B-3B35  |
|       | 36              | 218,58               | B    | 25                 | 85   | 130 | 70    | 10,87           | 49,78          | 19,49         | PHS 12B-3B36  |
|       | 38              | 230,69               | B    | 25                 | 85   | 130 | 70    | 10,87           | 49,78          | 20,57         | PHS 12B-3B38  |
|       | 45              | 273,10               | B    | 25                 | 85   | 140 | 70    | 10,87           | 49,78          | 24,36         | PHS 12B-3B45  |
|       | 48              | 291,27               | B    | 25                 | 85   | 140 | 70    | 10,87           | 49,78          | 25,98         | PHS 12B-3B48  |
|       | 57              | 345,81               | B    | 25                 | 82   | 140 | 70    | 10,87           | 49,78          | 33,73         | PHS 12B-3B57  |
|       | 60              | 363,99               | C    | 25                 | 82   | 140 | 70    | 10,87           | 49,78          | 35,51         | PHS 12B-3C60  |
|       | 68              | 412,49               | C    | 25                 | 82   | 140 | 70    | 10,87           | 49,78          | 40,24         | PHS 12B-3C68  |
|       | 76              | 460,99               | C    | 25                 | 95   | 140 | 70    | 10,87           | 49,78          | 37,19         | PHS 12B-3C76  |
|       | 80              | 485,22               | C    | 25                 | 95   | 140 | 70    | 10,87           | 49,78          | 39,15         | PHS 12B-3C80  |
| 95    | 576,17          | C                    | 25   | 95                 | 140  | 70  | 10,87 | 49,78           | 47,63          | PHS 12B-3C95  |               |
| 25,40 | 10              | 90,14                | B    | 20                 | 42   | 56  | 95    | 15,82           | 79,58          | 1,85          | PHS 16B-3BH10 |
|       | 11              | 90,14                | B    | 25                 | 42   | 64  | 100   | 15,82           | 79,58          | 3,59          | PHS 16B-3BH11 |
|       | 12              | 98,14                | B    | 25                 | 45   | 72  | 100   | 15,82           | 79,58          | 3,59          | PHS 16B-3BH12 |
|       | 13              | 106,12               | B    | 25                 | 52   | 80  | 100   | 15,82           | 79,58          | 4,13          | PHS 16B-3BH13 |
|       | 14              | 114,15               | B    | 25                 | 58   | 88  | 100   | 15,82           | 79,58          | 4,68          | PHS 16B-3BH14 |
|       | 15              | 122,17               | B    | 25                 | 62   | 96  | 100   | 15,82           | 79,58          | 5,54          | PHS 16B-3BH15 |
|       | 16              | 130,20               | B    | 25                 | 66   | 104 | 100   | 15,82           | 79,58          | 6,81          | PHS 16B-3BH16 |
|       | 17              | 138,22               | B    | 25                 | 74   | 112 | 100   | 15,82           | 79,58          | 8,07          | PHS 16B-3BH17 |
|       | 18              | 146,28               | B    | 25                 | 80   | 120 | 100   | 15,82           | 79,58          | 9,99          | PHS 16B-3BH18 |
|       | 19              | 154,33               | B    | 25                 | 84   | 128 | 100   | 15,82           | 79,58          | 10,89         | PHS 16B-3BH19 |
|       | 20              | 162,38               | B    | 25                 | 85   | 130 | 100   | 15,82           | 79,58          | 11,80         | PHS 16B-3BH20 |
|       | 21              | 170,43               | B    | 25                 | 85   | 130 | 100   | 15,82           | 79,58          | 13,61         | PHS 16B-3BH21 |
|       | 22              | 178,48               | B    | 25                 | 85   | 130 | 100   | 15,82           | 79,58          | 14,07         | PHS 16B-3BH22 |
|       | 23              | 186,53               | B    | 25                 | 85   | 130 | 100   | 15,82           | 79,58          | 14,97         | PHS 16B-3BH23 |
|       | 24              | 194,59               | B    | 25                 | 85   | 130 | 100   | 15,82           | 79,58          | 16,34         | PHS 16B-3BH24 |
|       | 25              | 202,66               | B    | 25                 | 85   | 130 | 100   | 15,82           | 79,58          | 17,70         | PHS 16B-3BH25 |
|       | 26              | 210,72               | B    | 30                 | 85   | 130 | 100   | 15,82           | 79,58          | 19,98         | PHS 16B-3B26  |
|       | 27              | 218,79               | B    | 30                 | 85   | 130 | 100   | 15,82           | 79,58          | 21,57         | PHS 16B-3B27  |
|       | 28              | 226,85               | B    | 30                 | 85   | 130 | 100   | 15,82           | 79,58          | 23,15         | PHS 16B-3B28  |
|       | 29              | 234,92               | B    | 30                 | 85   | 130 | 100   | 15,82           | 79,58          | 24,74         | PHS 16B-3B29  |
|       | 30              | 243,00               | B    | 30                 | 95   | 136 | 100   | 15,82           | 79,58          | 26,33         | PHS 16B-3B30  |
|       | 35              | 283,36               | B    | 30                 | 95   | 140 | 100   | 15,82           | 79,58          | 36,06         | PHS 16B-3B35  |
|       | 36              | 291,44               | B    | 30                 | 95   | 140 | 100   | 15,82           | 79,58          | 38,06         | PHS 16B-3B36  |
|       | 38              | 307,59               | C    | 30                 | 97   | 140 | 100   | 15,82           | 79,58          | 38,22         | PHS 16B-3C38  |
| 42    | 339,89          | C                    | 30   | 97                 | 160  | 100 | 15,82 | 79,58           | 38,51          | PHS 16B-3C42  |               |
| 45    | 364,13          | C                    | 30   | 97                 | 160  | 100 | 15,82 | 79,58           | 41,77          | PHS 16B-3C45  |               |
| 57    | 461,07          | C                    | 30   | 107                | 180  | 110 | 15,82 | 79,58           | 54,80          | PHS 16B-3C57  |               |
| 60    | 485,32          | C                    | 30   | 107                | 180  | 110 | 15,82 | 79,58           | 58,06          | PHS 16B-3C60  |               |
| 68    | 549,98          | C                    | 30   | 107                | 180  | 110 | 15,82 | 79,58           | 63,50          | PHS 16B-3C68  |               |
| 76    | 614,65          | C                    | 30   | 107                | 180  | 110 | 15,82 | 79,58           | 74,52          | PHS 16B-3C76  |               |
| 95    | 768,22          | C                    | 30   | 114                | 180  | 110 | 15,82 | 79,58           | 100,70         | PHS 16B-3C95  |               |
| 114   | 921,81          | C                    | 30   | 114                | 180  | 110 | 15,82 | 79,58           | 120,84         | PHS 16B-3C114 |               |
| 31,75 | 10              | 102,75               | B    | 20                 | 47   | 70  | 110   | 18,19           | 91,08          | 3,95          | PHS 20B-3BH10 |
|       | 11              | 112,70               | B    | 20                 | 52   | 80  | 115   | 18,19           | 91,08          | 5,26          | PHS 20B-3BH11 |
|       | 12              | 122,67               | B    | 20                 | 60   | 90  | 115   | 18,19           | 91,08          | 6,21          | PHS 20B-3BH12 |
|       | 13              | 132,67               | B    | 20                 | 64   | 100 | 115   | 18,19           | 91,08          | 9,26          | PHS 20B-3BH13 |
|       | 14              | 142,68               | B    | 20                 | 73   | 110 | 115   | 18,19           | 91,08          | 9,76          | PHS 20B-3BH14 |
|       | 15              | 152,71               | B    | 20                 | 80   | 120 | 115   | 18,19           | 91,08          | 10,81         | PHS 20B-3BH15 |
|       | 16              | 162,75               | B    | 25                 | 80   | 120 | 115   | 18,19           | 91,08          | 12,76         | PHS 20B-3BH16 |
|       | 17              | 172,79               | B    | 25                 | 80   | 120 | 115   | 18,19           | 91,08          | 14,76         | PHS 20B-3BH17 |
|       | 18              | 182,84               | B    | 25                 | 80   | 120 | 115   | 18,19           | 91,08          | 16,71         | PHS 20B-3BH18 |
|       | 19              | 192,90               | B    | 25                 | 80   | 120 | 115   | 18,19           | 91,08          | 19,13         | PHS 20B-3BH19 |

Maximum bores can accommodate standard keyways. Larger bores are available where a shallow keyway is used or no keyway is required. All Type B or C sprockets, up to and including 25 tooth, are with hardened teeth as standard. For any additional size sprockets with hardened teeth, add "H" before the number of teeth, e.g. PHS 06B-3BH12.

# Metric sprockets, triplex, standard

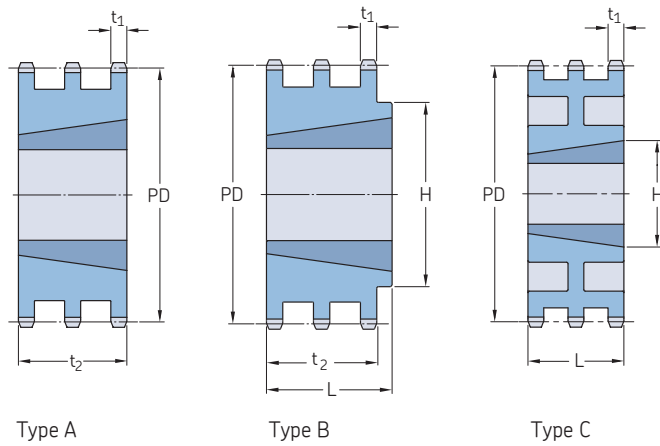
ISO 20B-3 · 31,75 mm pitch

| Pitch | Number of teeth | Pitch diameter<br>PD | Type | Dimensions<br>Bore |      | Hub |       | Plate thickness |                | Mass          | Designation   |
|-------|-----------------|----------------------|------|--------------------|------|-----|-------|-----------------|----------------|---------------|---------------|
|       |                 |                      |      | Min.               | Max. | H   | L     | t <sub>1</sub>  | t <sub>2</sub> |               |               |
| mm    | –               | mm                   | –    | mm                 |      |     |       |                 |                | kg            | –             |
| 31,75 | 20              | 202,96               | B    | 25                 | 80   | 120 | 115   | 18,19           | 91,08          | 21,57         | PHS 20B-3BH20 |
|       | 21              | 213,03               | B    | 25                 | 92   | 140 | 115   | 18,19           | 91,08          | 23,36         | PHS 20B-3BH21 |
|       | 22              | 223,10               | B    | 25                 | 92   | 140 | 115   | 18,19           | 91,08          | 25,65         | PHS 20B-3BH22 |
|       | 23              | 233,17               | B    | 25                 | 92   | 140 | 115   | 18,19           | 91,08          | 27,90         | PHS 20B-3BH23 |
|       | 24              | 243,25               | B    | 25                 | 95   | 140 | 115   | 18,19           | 91,08          | 27,19         | PHS 20B-3BH24 |
|       | 25              | 253,32               | B    | 25                 | 95   | 140 | 115   | 18,19           | 91,08          | 27,90         | PHS 20B-3BH25 |
|       | 26              | 263,41               | B    | 25                 | 95   | 150 | 115   | 18,19           | 91,08          | 31,90         | PHS 20B-3B26  |
|       | 27              | 273,49               | B    | 25                 | 95   | 150 | 115   | 18,19           | 91,08          | 35,90         | PHS 20B-3B27  |
|       | 28              | 283,57               | B    | 25                 | 95   | 150 | 115   | 18,19           | 91,08          | 39,90         | PHS 20B-3B28  |
|       | 30              | 303,75               | B    | 25                 | 95   | 150 | 115   | 18,19           | 91,08          | 47,90         | PHS 20B-3B30  |
|       | 32              | 323,92               | B    | 30                 | 95   | 150 | 115   | 18,19           | 91,08          | 51,57         | PHS 20B-3B32  |
|       | 35              | 354,20               | C    | 30                 | 97   | 150 | 115   | 18,19           | 91,08          | 57,29         | PHS 20B-3C35  |
|       | 36              | 364,29               | C    | 30                 | 97   | 150 | 115   | 18,19           | 91,08          | 59,35         | PHS 20B-3C36  |
|       | 38              | 384,48               | C    | 30                 | 97   | 150 | 115   | 18,19           | 91,08          | 62,56         | PHS 20B-3C38  |
|       | 42              | 424,86               | C    | 30                 | 97   | 160 | 110   | 18,19           | 91,08          | 70,12         | PHS 20B-3C42  |
|       | 45              | 455,15               | C    | 30                 | 97   | 160 | 110   | 18,19           | 91,08          | 75,84         | PHS 20B-3C45  |
|       | 57              | 576,35               | C    | 30                 | 102  | 180 | 123   | 18,19           | 91,08          | 100,11        | PHS 20B-3C57  |
|       | 60              | 606,66               | C    | 30                 | 102  | 180 | 123   | 18,19           | 91,08          | 104,86        | PHS 20B-3C60  |
|       | 68              | 687,48               | C    | 30                 | 102  | 200 | 123   | 18,19           | 91,08          | 117,54        | PHS 20B-3C68  |
|       | 76              | 768,30               | C    | 30                 | 102  | 200 | 123   | 18,19           | 91,08          | 130,21        | PHS 20B-3C76  |
| 80    | 808,71          | C                    | 30   | 102                | 200  | 123 | 18,19 | 91,08           | 136,55         | PHS 20B-3C80  |               |
| 95    | 960,28          | C                    | 30   | 102                | 200  | 123 | 18,19 | 91,08           | 160,31         | PHS 20B-3C95  |               |
| 114   | 1 152,27        | C                    | 30   | 102                | 200  | 126 | 18,19 | 91,08           | 190,41         | PHS 20B-3C114 |               |

Maximum bores can accommodate standard keyways. Larger bores are available where a shallow keyway is used or no keyway is required. All Type B or C sprockets, up to and including 25 tooth, are with hardened teeth as standard. For any additional size sprockets with hardened teeth, add "H" before the number of teeth, e.g. PHS 06B-3BH12.

**Metric sprockets, triplex, taper bushed**

ISO 12B-3 · 19,05 mm pitch | ISO 16B-3 · 25,40 mm pitch



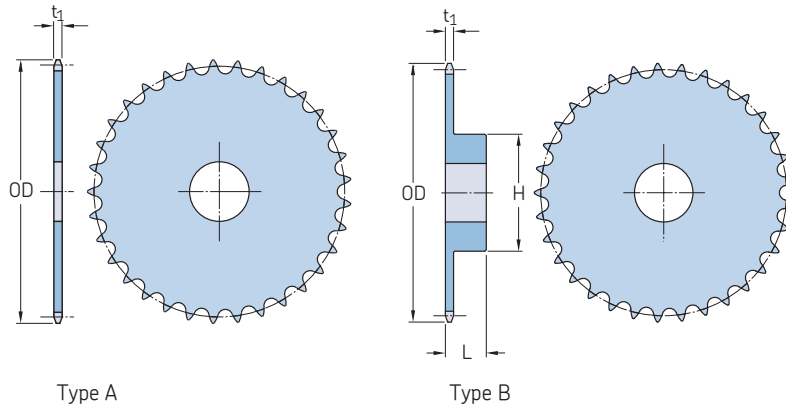
| Pitch | Number of teeth | Pitch diameter<br>PD | Type   | Bushing number | Dimensions Bore |      | L   | H     | Plate thickness |                | Mass  | Designation    |
|-------|-----------------|----------------------|--------|----------------|-----------------|------|-----|-------|-----------------|----------------|-------|----------------|
|       |                 |                      |        |                | Min.            | Max. |     |       | t <sub>1</sub>  | t <sub>2</sub> |       |                |
| mm    | -               | mm                   | -      | -              | mm              |      |     |       |                 |                | kg    | -              |
| 19,05 | 17              | 103,67               | A      | 2012           | 14              | 50   | -   | -     | 10,87           | 49,78          | 1,28  | PHS 12B-3TBH17 |
|       | 19              | 115,75               | A      | 2517           | 16              | 65   | -   | -     | 10,87           | 49,78          | 2,02  | PHS 12B-3TBH19 |
|       | 21              | 127,82               | A      | 2517           | 16              | 65   | -   | -     | 10,87           | 49,78          | 2,09  | PHS 12B-3TBH21 |
|       | 23              | 139,90               | A      | 2517           | 16              | 65   | -   | -     | 10,87           | 49,78          | 3,00  | PHS 12B-3TBH23 |
|       | 25              | 152,00               | A      | 3020           | 25              | 75   | -   | -     | 10,87           | 49,78          | 3,97  | PHS 12B-3TBH25 |
|       | 27              | 164,09               | B      | 3020           | 25              | 75   | 140 | 51,0  | 10,87           | 49,78          | 3,83  | PHS 12B-3TB27  |
|       | 30              | 182,25               | B      | 3020           | 25              | 75   | 140 | 51,0  | 10,87           | 49,78          | 5,72  | PHS 12B-3TB30  |
|       | 38              | 230,69               | B      | 3020           | 25              | 75   | 140 | 51,0  | 10,87           | 49,78          | 7,76  | PHS 12B-3TB38  |
|       | 45              | 273,10               | C      | 3020           | 25              | 75   | 140 | 51,0  | 10,87           | 49,78          | 10,04 | PHS 12B-3TB45  |
|       | 57              | 345,81               | C      | 3020           | 25              | 75   | 140 | 51,0  | 10,87           | 49,78          | 14,42 | PHS 12B-3TB57  |
|       | 76              | 460,99               | C      | 3020           | 25              | 75   | 140 | 51,0  | 10,87           | 49,78          | 25,50 | PHS 12B-3TB76  |
|       | 95              | 576,17               | C      | 3030           | 25              | 75   | 140 | 76,0  | 10,87           | 49,78          | 36,58 | PHS 12B-3TB95  |
|       | 114             | 691,36               | C      | 3030           | 25              | 75   | 140 | 76,0  | 10,87           | 49,78          | 47,66 | PHS 12B-3TB114 |
|       | 25,40           | 17                   | 138,22 | A              | 2517            | 16   | 65  | -     | -               | 15,82          | 79,58 | 4,20           |
| 19    |                 | 154,33               | B      | 3020           | 35              | 75   | -   | 76,2  | 15,82           | 79,58          | 4,30  | PHS 16B-3TBH19 |
| 21    |                 | 170,43               | B      | 3020           | 35              | 75   | -   | 76,2  | 15,82           | 79,58          | 6,60  | PHS 16B-3TBH21 |
| 23    |                 | 186,53               | B      | 3525           | 35              | 100  | -   | 65,0  | 15,82           | 79,58          | 7,00  | PHS 16B-3TBH23 |
| 25    |                 | 202,66               | B      | 3525           | 35              | 100  | -   | 65,0  | 15,82           | 79,58          | 9,80  | PHS 16B-3TBH25 |
| 27    |                 | 218,79               | B      | 3525           | 35              | 100  | -   | 65,0  | 15,82           | 79,58          | 12,80 | PHS 16B-3TB27  |
| 30    |                 | 243,00               | B      | 3525           | 35              | 100  | -   | 65,0  | 15,82           | 79,58          | 18,00 | PHS 16B-3TB30  |
| 38    |                 | 307,59               | B      | 3535           | 35              | 100  | 178 | 89,0  | 15,82           | 79,58          | 21,50 | PHS 16B-3TB38  |
| 45    |                 | 364,13               | C      | 4040           | 40              | 115  | 216 | 102,0 | 15,82           | 79,58          | 33,50 | PHS 16B-3TB45  |
| 57    |                 | 461,07               | C      | 4040           | 40              | 115  | 216 | 102,0 | 15,82           | 79,58          | 39,50 | PHS 16B-3TB57  |
| 76    |                 | 614,65               | C      | 4040           | 40              | 115  | 216 | 102,0 | 15,82           | 79,58          | 59,50 | PHS 16B-3TB76  |

Maximum bores can accommodate standard keyways. Larger bores are available where a shallow keyway is used or no keyway is required. All Type B or C sprockets, up to and including 25 tooth, are with hardened teeth as standard. For any additional size sprockets with hardened teeth, add "H" before the number of teeth, e.g. PHS 12B-3TBH17.



# ANSI sprockets, simplex, pilot bore

ANSI 25-1 · 6,35 mm (1/4") pitch

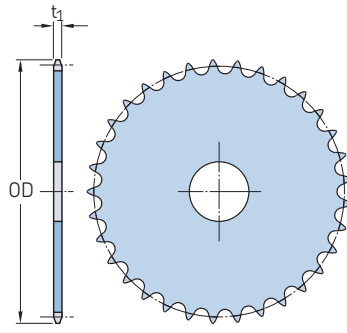


| Pitch | Number of teeth | Outside diameter | Type  | Dimensions |       | Hub   |       | Plate thickness | Mass  | Designation |      |             |
|-------|-----------------|------------------|-------|------------|-------|-------|-------|-----------------|-------|-------------|------|-------------|
|       |                 |                  |       | Bore stock | Bore  | H     | L     |                 |       |             |      |             |
| mm    | in.             | mm               | –     | mm         | Min.  | Max.  | mm    | t <sub>1</sub>  | kg    | –           |      |             |
| 6,35  | 1/4             | 9                | 21,34 | B          | –     | 6,35  | 6,35  | 11,11           | 12,70 | 2,790       | 0,01 | PHS 25-1B9  |
|       |                 | 10               | 23,37 | B          | –     | 6,35  | 6,35  | 12,70           | 12,70 | 2,790       | 0,01 | PHS 25-1B10 |
|       |                 | 11               | 25,40 | B          | –     | 6,35  | 7,94  | 14,29           | 12,70 | 2,790       | 0,02 | PHS 25-1B11 |
|       |                 | 12               | 27,43 | B          | –     | 6,35  | 9,53  | 15,88           | 12,70 | 2,790       | 0,03 | PHS 25-1B12 |
|       |                 | 13               | 29,72 | B          | –     | 6,35  | 11,11 | 18,26           | 12,70 | 2,790       | 0,03 | PHS 25-1B13 |
|       |                 | 14               | 31,75 | B          | –     | 6,35  | 14,29 | 20,64           | 12,70 | 2,790       | 0,04 | PHS 25-1B14 |
|       |                 | 15               | 33,78 | B          | –     | 6,35  | 14,29 | 22,62           | 12,70 | 2,790       | 0,05 | PHS 25-1B15 |
|       |                 | 16               | 35,81 | B          | –     | 6,35  | 14,29 | 24,61           | 12,70 | 2,790       | 0,05 | PHS 25-1B16 |
|       |                 | 17               | 37,85 | B          | –     | 6,35  | 15,88 | 26,19           | 12,70 | 2,790       | 0,06 | PHS 25-1B17 |
|       |                 | 18               | 39,88 | A          | 6,35  | –     | –     | –               | –     | 2,790       | 0,02 | PHS 25-1A18 |
|       |                 | 18               | 39,88 | B          | –     | 6,35  | 19,05 | 28,58           | 12,70 | 2,790       | 0,07 | PHS 25-1B18 |
|       |                 | 19               | 41,91 | A          | 6,35  | –     | –     | –               | –     | 2,790       | 0,02 | PHS 25-1A19 |
|       |                 | 19               | 41,91 | B          | –     | 6,35  | 20,64 | 30,96           | 12,70 | 2,790       | 0,09 | PHS 25-1B19 |
|       |                 | 20               | 43,94 | A          | 6,35  | –     | –     | –               | –     | 2,790       | 0,02 | PHS 25-1A20 |
|       |                 | 20               | 43,94 | B          | –     | 6,35  | 22,23 | 32,54           | 15,88 | 2,790       | 0,11 | PHS 25-1B20 |
|       |                 | 21               | 45,97 | A          | 9,53  | –     | –     | –               | –     | 2,790       | 0,02 | PHS 25-1A21 |
|       |                 | 21               | 45,97 | B          | –     | 6,35  | 22,23 | 34,93           | 15,88 | 2,790       | 0,13 | PHS 25-1B21 |
|       |                 | 22               | 48,01 | A          | 9,53  | –     | –     | –               | –     | 2,790       | 0,03 | PHS 25-1A22 |
|       |                 | 22               | 48,01 | B          | –     | 6,35  | 23,81 | 36,51           | 15,88 | 2,790       | 0,14 | PHS 25-1B22 |
|       |                 | 23               | 50,04 | A          | 9,53  | –     | –     | –               | –     | 2,790       | 0,03 | PHS 25-1A23 |
|       |                 | 23               | 50,04 | B          | –     | 6,35  | 25,40 | 38,10           | 15,88 | 2,790       | 0,15 | PHS 25-1B23 |
|       |                 | 24               | 52,07 | A          | 9,53  | –     | –     | –               | –     | 2,790       | 0,04 | PHS 25-1A24 |
|       |                 | 24               | 52,07 | B          | –     | 9,53  | 25,40 | 38,10           | 15,88 | 2,790       | 0,15 | PHS 25-1B24 |
|       |                 | 25               | 54,10 | A          | 9,53  | –     | –     | –               | –     | 2,790       | 0,04 | PHS 25-1A25 |
|       |                 | 25               | 54,10 | B          | –     | 9,53  | 25,40 | 38,10           | 15,88 | 2,790       | 0,15 | PHS 25-1B25 |
|       |                 | 26               | 56,13 | A          | 9,53  | –     | –     | –               | –     | 2,790       | 0,04 | PHS 25-1A26 |
|       |                 | 26               | 56,13 | B          | –     | 9,53  | 25,40 | 38,10           | 15,88 | 2,790       | 0,16 | PHS 25-1B26 |
|       |                 | 28               | 60,20 | A          | 9,53  | –     | –     | –               | –     | 2,790       | 0,05 | PHS 25-1A28 |
|       |                 | 28               | 60,20 | B          | –     | 9,53  | 25,40 | 38,10           | 15,88 | 2,790       | 0,16 | PHS 25-1B28 |
|       |                 | 30               | 64,26 | A          | 9,53  | –     | –     | –               | –     | 2,790       | 0,05 | PHS 25-1A30 |
|       |                 | 30               | 64,26 | B          | –     | 9,53  | 25,40 | 38,10           | 15,88 | 2,790       | 0,17 | PHS 25-1B30 |
|       |                 | 32               | 68,33 | A          | 9,53  | –     | –     | –               | –     | 2,790       | 0,06 | PHS 25-1A32 |
| 32    | 68,33           | B                | –     | 9,53       | 25,40 | 38,10 | 15,88 | 2,790           | 0,18  | PHS 25-1B32 |      |             |
| 35    | 74,42           | A                | 9,53  | –          | –     | –     | –     | 2,790           | 0,07  | PHS 25-1A35 |      |             |
| 36    | 76,45           | A                | 9,53  | –          | –     | –     | –     | 2,790           | 0,08  | PHS 25-1A36 |      |             |
| 36    | 76,45           | B                | –     | 9,53       | 25,40 | 38,10 | 19,05 | 2,790           | 0,23  | PHS 25-1B36 |      |             |
| 40    | 84,58           | A                | 12,70 | –          | –     | –     | –     | 2,790           | 0,09  | PHS 25-1A40 |      |             |
| 40    | 84,58           | B                | –     | 12,70      | 34,93 | 50,80 | 19,05 | 2,790           | 0,24  | PHS 25-1B40 |      |             |
| 42    | 88,65           | A                | 12,70 | –          | –     | –     | –     | 2,790           | 0,11  | PHS 25-1A42 |      |             |

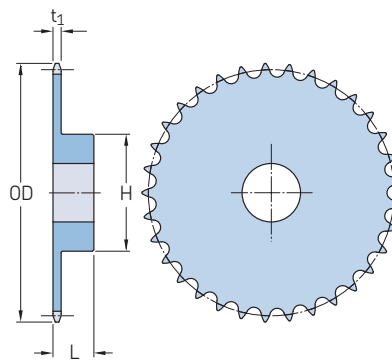
Maximum bores can accommodate standard keyways. Larger bores are available where a shallow keyway is used or no keyway is required. All Type B or C sprockets, up to and including 25 tooth, are with hardened teeth as standard. For any additional size sprockets with hardened teeth, add "H" before the number of teeth, e.g. PHS 25-1BH9.

# ANSI sprockets, simplex, pilot bore

ANSI 25-1 · 6,35 mm (1/4") pitch | ANSI 35-1 · 9,53 mm (3/8") pitch



Type A



Type B

| Pitch | Number of teeth | Outside diameter<br>OD | Type   | Dimensions |                   | Hub<br>H | Hub<br>L | Plate thickness<br>t <sub>1</sub> | Mass        | Designation  |              |
|-------|-----------------|------------------------|--------|------------|-------------------|----------|----------|-----------------------------------|-------------|--------------|--------------|
|       |                 |                        |        | Bore stock | Bore<br>Min. Max. |          |          |                                   |             |              |              |
| mm    | in.             | mm                     | –      | mm         | mm                | mm       | mm       | mm                                | kg          | –            |              |
| 6,35  | 1/4             | 45                     | A      | 12,70      | –                 | –        | –        | 2,790                             | 0,11        | PHS 25-1A45  |              |
|       |                 |                        | B      | –          | 12,70             | 34,93    | 50,80    | 19,05                             | 2,790       | 0,25         | PHS 25-1B45  |
|       | 48              | A                      | 100,58 | 12,70      | –                 | –        | –        | 2,790                             | 0,15        | PHS 25-1A48  |              |
|       |                 | B                      | 100,58 | –          | 12,70             | 34,93    | 50,80    | 19,05                             | 2,790       | 0,25         | PHS 25-1B48  |
|       | 54              | A                      | 112,78 | 12,70      | –                 | –        | –        | 2,790                             | 0,17        | PHS 25-1A54  |              |
|       |                 | B                      | 112,78 | –          | 12,70             | 34,93    | 50,80    | 19,05                             | 2,790       | 0,45         | PHS 25-1B54  |
|       | 60              | A                      | 124,97 | 12,70      | –                 | –        | –        | 2,790                             | 0,24        | PHS 25-1A60  |              |
|       |                 | B                      | 124,97 | –          | 12,70             | 34,93    | 50,80    | 19,05                             | 2,790       | 0,50         | PHS 25-1B60  |
|       | 70              | B                      | 145,29 | –          | 12,70             | 34,93    | 50,80    | 19,05                             | 2,790       | 0,57         | PHS 25-1B70  |
|       |                 | 72                     | A      | 149,35     | 12,70             | –        | –        | –                                 | 2,790       | 0,34         | PHS 25-1A72  |
|       | B               |                        | 149,35 | –          | 12,70             | 34,93    | 50,80    | 19,05                             | 2,790       | 0,59         | PHS 25-1B72  |
|       | 9,53            | 3/8                    | 8      | B          | –                 | 9,53     | 9,53     | 19,05                             | 19,05       | 4,270        | 0,03         |
| B     |                 |                        |        | –          | 9,53              | 9,53     | 21,43    | 19,05                             | 4,270       | 0,04         | PHS 35-1BH9  |
| 10    |                 |                        | B      | –          | 9,53              | 14,29    | 24,61    | 19,05                             | 4,270       | 0,06         | PHS 35-1BH10 |
|       |                 |                        | B      | –          | 9,53              | 14,29    | 26,99    | 19,05                             | 4,270       | 0,08         | PHS 35-1BH11 |
| 12    |                 |                        | B      | –          | 12,70             | 14,29    | 30,96    | 19,05                             | 4,270       | 0,09         | PHS 35-1BH12 |
|       |                 |                        | B      | –          | 12,70             | 17,46    | 31,75    | 19,05                             | 4,270       | 0,10         | PHS 35-1BH13 |
| 14    |                 |                        | B      | –          | 12,70             | 22,23    | 31,75    | 19,05                             | 4,270       | 0,11         | PHS 35-1BH14 |
|       |                 |                        | 15     | A          | 12,70             | –        | –        | –                                 | 4,270       | 0,05         | PHS 35-1A15  |
| B     |                 |                        |        | –          | 12,70             | 22,23    | 34,13    | 19,05                             | 4,270       | 0,13         | PHS 35-1BH15 |
| 16    |                 |                        | A      | 53,59      | 12,70             | –        | –        | –                                 | 4,270       | 0,05         | PHS 35-1A16  |
|       |                 |                        | B      | 53,59      | –                 | 12,70    | 23,81    | 37,31                             | 19,05       | 4,270        | 0,16         |
| 17    |                 |                        | A      | 56,64      | 12,70             | –        | –        | –                                 | 4,270       | 0,05         | PHS 35-1A17  |
|       |                 |                        | B      | 56,64      | –                 | 12,70    | 26,99    | 40,48                             | 19,05       | 4,270        | 0,19         |
| 18    |                 |                        | A      | 59,69      | 12,70             | –        | –        | –                                 | 4,270       | 0,06         | PHS 35-1A18  |
|       |                 |                        | B      | 59,69      | –                 | 12,70    | 30,16    | 43,66                             | 19,05       | 4,270        | 0,22         |
| 19    |                 |                        | A      | 62,74      | 12,70             | –        | –        | –                                 | 4,270       | 0,07         | PHS 35-1A19  |
|       |                 |                        | B      | 62,74      | –                 | 12,70    | 31,75    | 46,83                             | 19,05       | 4,270        | 0,24         |
| 20    |                 |                        | A      | 65,79      | 12,70             | –        | –        | –                                 | 4,270       | 0,09         | PHS 35-1A20  |
|       |                 |                        | B      | 65,79      | –                 | 12,70    | 33,34    | 49,21                             | 19,05       | 4,270        | 0,27         |
| 21    |                 |                        | A      | 68,83      | 12,70             | –        | –        | –                                 | 4,270       | 0,09         | PHS 35-1A21  |
|       |                 |                        | B      | 68,83      | –                 | 12,70    | 34,93    | 50,80                             | 22,23       | 4,270        | 0,36         |
| 22    |                 |                        | A      | 71,88      | 12,70             | –        | –        | –                                 | 4,270       | 0,10         | PHS 35-1A22  |
|       |                 |                        | B      | 71,88      | –                 | 12,70    | 34,93    | 50,80                             | 22,23       | 4,270        | 0,36         |
| 23    |                 |                        | A      | 74,93      | 12,70             | –        | –        | –                                 | 4,270       | 0,11         | PHS 35-1A23  |
|       |                 |                        | B      | 74,93      | –                 | 12,70    | 34,93    | 50,80                             | 22,23       | 4,270        | 0,37         |
| 24    | A               | 77,98                  | 12,70  | –          | –                 | –        | 4,270    | 0,12                              | PHS 35-1A24 |              |              |
|       | B               | 77,98                  | –      | 12,70      | 34,93             | 50,80    | 22,23    | 4,270                             | 0,40        | PHS 35-1BH24 |              |
| 25    | A               | 81,03                  | 12,70  | –          | –                 | –        | 4,270    | 0,13                              | PHS 35-1A25 |              |              |
|       | B               | 81,03                  | –      | 12,70      | 34,93             | 50,80    | 22,23    | 4,270                             | 0,40        | PHS 35-1BH25 |              |

Maximum bores can accommodate standard keyways. Larger bores are available where a shallow keyway is used or no keyway is required. All Type B or C sprockets, up to and including 25 tooth, are with hardened teeth as standard. For any additional size sprockets with hardened teeth, add "H" before the number of teeth, e.g. PHS 25-1BH9.

# ANSI sprockets, simplex, pilot bore

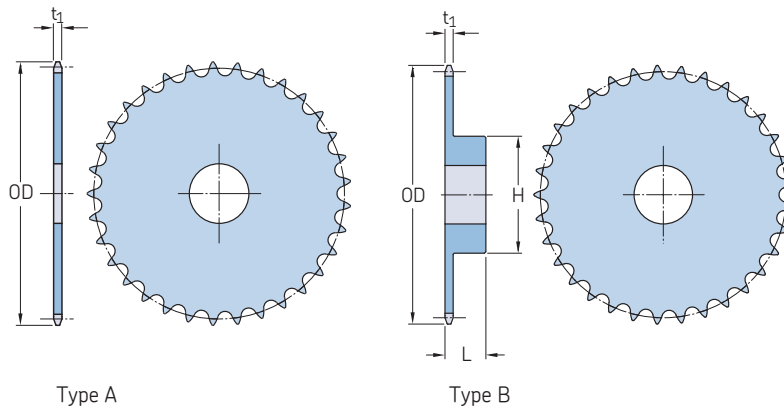
ANSI 35-1 · 9,53 mm (3/8") pitch | ANSI 41-1 · 12,70 mm (1/2") pitch

| Pitch | Number of teeth | Outside diameter | Type  | Dimensions |       | Hub   | Plate thickness | Mass  | Designation    |              |              |
|-------|-----------------|------------------|-------|------------|-------|-------|-----------------|-------|----------------|--------------|--------------|
|       |                 |                  |       | Bore stock | Bore  |       |                 |       |                |              |              |
|       |                 | OD               |       |            | Min.  | Max.  | H               | L     | t <sub>1</sub> |              |              |
| mm    | in.             | mm               |       | mm         |       |       |                 |       | kg             |              |              |
| 9,53  | 3/8             | 26               | A     | 12,70      | –     | –     | –               | –     | 4,270          | 0,13         | PHS 35-1A26  |
|       |                 |                  | B     | –          | 12,70 | 34,93 | 50,80           | 22,23 | 4,270          | 0,41         | PHS 35-1B26  |
|       | 27              | A                | 12,70 | –          | –     | –     | –               | –     | 4,270          | 0,15         | PHS 35-1A27  |
|       |                 | B                | –     | 12,70      | 34,93 | 50,80 | 22,23           | 4,270 | 0,43           | PHS 35-1B27  |              |
|       | 28              | A                | 12,70 | –          | –     | –     | –               | –     | 4,270          | 0,15         | PHS 35-1A28  |
|       |                 | B                | –     | 12,70      | 34,93 | 50,80 | 22,23           | 4,270 | 0,43           | PHS 35-1B28  |              |
|       | 30              | A                | 12,70 | –          | –     | –     | –               | –     | 4,270          | 0,21         | PHS 35-1A30  |
|       |                 | B                | –     | 12,70      | 34,93 | 50,80 | 22,23           | 4,270 | 0,46           | PHS 35-1B30  |              |
|       | 32              | A                | 15,88 | –          | –     | –     | –               | –     | 4,270          | 0,21         | PHS 35-1A32  |
|       |                 | B                | –     | 12,70      | 34,93 | 50,80 | 22,23           | 4,270 | 0,56           | PHS 35-1B32  |              |
|       | 35              | A                | 15,88 | –          | –     | –     | –               | –     | 4,270          | 0,27         | PHS 35-1A35  |
|       |                 | B                | –     | 15,88      | 38,10 | 57,15 | 22,23           | 4,270 | 0,68           | PHS 35-1B35  |              |
|       | 36              | A                | 15,88 | –          | –     | –     | –               | –     | 4,270          | 0,28         | PHS 35-1A36  |
|       |                 | B                | –     | 15,88      | 38,10 | 57,15 | 22,23           | 4,270 | 0,71           | PHS 35-1B36  |              |
|       | 40              | A                | 15,08 | –          | –     | –     | –               | –     | 4,270          | 0,32         | PHS 35-1A40  |
|       |                 | B                | –     | 15,88      | 38,10 | 57,15 | 25,40           | 4,270 | 0,73           | PHS 35-1B40  |              |
|       | 42              | A                | 15,08 | –          | –     | –     | –               | –     | 4,270          | 0,35         | PHS 35-1A42  |
|       |                 | B                | –     | 15,88      | 38,10 | 57,15 | 25,40           | 4,270 | 0,76           | PHS 35-1B42  |              |
|       | 45              | A                | 15,08 | –          | –     | –     | –               | –     | 4,270          | 0,40         | PHS 35-1A45  |
|       |                 | B                | –     | 15,88      | 38,10 | 57,15 | 25,40           | 4,270 | 0,81           | PHS 35-1B45  |              |
|       | 48              | A                | 15,08 | –          | –     | –     | –               | –     | 4,270          | 0,55         | PHS 35-1A48  |
|       |                 | B                | –     | 15,88      | 38,10 | 57,15 | 25,40           | 4,270 | 0,85           | PHS 35-1B48  |              |
|       | 54              | A                | 15,08 | –          | –     | –     | –               | –     | 4,270          | 0,60         | PHS 35-1A54  |
|       |                 | B                | –     | 15,88      | 38,10 | 57,15 | 25,40           | 4,270 | 1,00           | PHS 35-1B54  |              |
| 60    | A               | 18,26            | –     | –          | –     | –     | –               | 4,270 | 0,75           | PHS 35-1A60  |              |
|       | B               | –                | 19,05 | 38,10      | 57,15 | 25,40 | 4,270           | 1,12  | PHS 35-1B60    |              |              |
| 70    | A               | 18,26            | –     | –          | –     | –     | –               | 4,270 | 1,04           | PHS 35-1A70  |              |
|       | B               | –                | 19,05 | 38,10      | 57,15 | 25,40 | 4,270           | 1,42  | PHS 35-1B70    |              |              |
| 72    | A               | 18,26            | –     | –          | –     | –     | –               | 4,270 | 1,16           | PHS 35-1A72  |              |
|       | B               | –                | 19,05 | 38,10      | 57,15 | 25,40 | 4,270           | 1,55  | PHS 35-1B72    |              |              |
| 80    | A               | 18,26            | –     | –          | –     | –     | –               | 4,270 | 1,43           | PHS 35-1A80  |              |
|       | B               | –                | 19,05 | 38,10      | 57,15 | 25,40 | 4,270           | 1,73  | PHS 35-1B80    |              |              |
| 84    | A               | 18,26            | –     | –          | –     | –     | –               | 4,270 | 1,48           | PHS 35-1A84  |              |
|       | B               | –                | 19,05 | 38,10      | 57,15 | 25,40 | 4,270           | 1,92  | PHS 35-1B84    |              |              |
| 96    | A               | 18,26            | –     | –          | –     | –     | –               | 4,270 | 2,10           | PHS 35-1A96  |              |
|       | B               | –                | 19,05 | 38,10      | 57,15 | 25,40 | 4,270           | 2,34  | PHS 35-1B96    |              |              |
| 112   | A               | 18,26            | –     | –          | –     | –     | –               | 4,270 | 2,29           | PHS 35-1A112 |              |
|       | B               | –                | 19,05 | 38,10      | 57,15 | 25,40 | 4,270           | 3,04  | PHS 35-1B112   |              |              |
| 12,70 | 1/2             | 6                | B     | –          | 9,53  | 9,53  | 16,67           | 22,23 | 5,770          | 0,03         | PHS 41-1BH6  |
|       |                 |                  | B     | –          | 9,53  | 9,53  | 19,05           | 22,23 | 5,770          | 0,05         | PHS 41-1BH7  |
|       |                 |                  | B     | –          | 12,70 | 12,70 | 25,00           | 22,23 | 5,770          | 0,09         | PHS 41-1BH8  |
|       |                 |                  | B     | –          | 12,70 | 15,88 | 28,58           | 22,23 | 5,770          | 0,09         | PHS 41-1BH9  |
|       |                 |                  | B     | –          | 12,70 | 19,05 | 31,75           | 22,23 | 5,770          | 0,12         | PHS 41-1BH10 |
|       |                 |                  | B     | –          | 12,70 | 22,23 | 36,51           | 22,23 | 5,770          | 0,16         | PHS 41-1BH11 |
|       |                 |                  | B     | –          | 12,70 | 23,81 | 39,69           | 22,23 | 5,770          | 0,20         | PHS 41-1BH12 |
|       |                 |                  | B     | –          | 12,70 | 25,40 | 39,69           | 22,23 | 5,770          | 0,23         | PHS 41-1BH13 |
|       |                 |                  | B     | –          | 12,70 | 31,75 | 44,45           | 22,23 | 5,770          | 0,26         | PHS 41-1BH14 |
|       |                 |                  | A     | 15,88      | –     | –     | –               | –     | 5,770          | 0,13         | PHS 41-1A15  |
|       |                 |                  | B     | –          | 12,70 | 33,34 | 55,56           | 22,23 | 5,770          | 0,33         | PHS 41-1B15  |
|       |                 |                  | A     | 15,88      | –     | –     | –               | –     | 5,770          | 0,15         | PHS 41-1A16  |
|       |                 |                  | B     | –          | 15,88 | 34,93 | 52,39           | 22,23 | 5,770          | 0,41         | PHS 41-1B16  |
|       |                 |                  | A     | 15,88      | –     | –     | –               | –     | 5,770          | 0,16         | PHS 41-1A17  |
|       |                 |                  | B     | –          | 15,88 | 38,10 | 56,75           | 25,40 | 5,770          | 0,49         | PHS 41-1B17  |
|       |                 |                  | A     | 15,88      | –     | –     | –               | –     | 5,770          | 0,20         | PHS 41-1A18  |
|       |                 |                  | B     | –          | 15,88 | 41,28 | 60,33           | 25,40 | 5,770          | 0,57         | PHS 41-1B18  |
|       |                 |                  | A     | 15,88      | –     | –     | –               | –     | 5,770          | 0,21         | PHS 41-1A19  |

Maximum bores can accommodate standard keyways. Larger bores are available where a shallow keyway is used or no keyway is required. All Type B or C sprockets, up to and including 25 tooth, are with hardened teeth as standard. For any additional size sprockets with hardened teeth, add "H" before the number of teeth, e.g. PHS 25-1BH9.

# ANSI sprockets, simplex, pilot bore

ANSI 41-1 · 12,70 mm (1/2") pitch



| Pitch | Number of teeth | Outside diameter | Type   | Dimensions |       | Hub   | Plate thickness | Mass  | Designation  |       |       |              |             |
|-------|-----------------|------------------|--------|------------|-------|-------|-----------------|-------|--------------|-------|-------|--------------|-------------|
|       |                 |                  |        | Bore stock | Bore  |       |                 |       |              |       |       |              |             |
| mm    | in.             | mm               |        | mm         | Min.  | Max.  | t <sub>1</sub>  | kg    |              |       |       |              |             |
| 12,70 | 1/2             | 19               | 83,82  | B          | -     | 15,88 | 44,45           | 62,71 | 25,40        | 5,770 | 0,68  | PHS 41-1BH19 |             |
|       |                 |                  |        |            |       |       |                 |       |              |       |       |              | A           |
|       | B               | -                | 15,88  | 47,63      | 69,85 | 25,40 | 5,770           | 0,74  | PHS 41-1BH20 |       |       |              |             |
|       | 20              | 87,88            | 87,88  | A          | 15,88 | -     | -               | -     | -            | -     | 5,770 | 0,27         | PHS 41-1A21 |
|       |                 |                  |        |            |       |       |                 |       |              |       |       |              |             |
|       | 21              | 91,95            | 91,95  | A          | 15,88 | -     | -               | -     | -            | -     | 5,770 | 0,30         | PHS 41-1A22 |
|       |                 |                  |        |            |       |       |                 |       |              |       |       |              |             |
|       | 22              | 96,01            | 96,01  | A          | 15,88 | -     | -               | -     | -            | -     | 5,770 | 0,33         | PHS 41-1A23 |
|       |                 |                  |        |            |       |       |                 |       |              |       |       |              |             |
|       | 23              | 100,08           | 100,08 | A          | 15,88 | -     | -               | -     | -            | -     | 5,770 | 0,37         | PHS 41-1A24 |
|       |                 |                  |        |            |       |       |                 |       |              |       |       |              |             |
|       | 24              | 104,14           | 104,14 | A          | 15,88 | -     | -               | -     | -            | -     | 5,770 | 0,40         | PHS 41-1A25 |
|       |                 |                  |        |            |       |       |                 |       |              |       |       |              |             |
|       | 25              | 108,20           | 108,20 | A          | 15,88 | -     | -               | -     | -            | -     | 5,770 | 0,43         | PHS 41-1A26 |
|       |                 |                  |        |            |       |       |                 |       |              |       |       |              |             |
|       | 26              | 112,27           | 112,27 | A          | 15,88 | -     | -               | -     | -            | -     | 5,770 | 0,45         | PHS 41-1A27 |
|       |                 |                  |        |            |       |       |                 |       |              |       |       |              |             |
|       | 27              | 116,33           | 116,33 | A          | 15,88 | -     | -               | -     | -            | -     | 5,770 | 0,49         | PHS 41-1A28 |
|       |                 |                  |        |            |       |       |                 |       |              |       |       |              |             |
|       | 28              | 120,40           | 120,40 | A          | 15,88 | -     | -               | -     | -            | -     | 5,770 | 0,54         | PHS 41-1A30 |
|       |                 |                  |        |            |       |       |                 |       |              |       |       |              |             |
|       | 30              | 128,52           | 128,52 | A          | 15,08 | -     | -               | -     | -            | -     | 5,770 | 0,65         | PHS 41-1A32 |
|       |                 |                  |        |            |       |       |                 |       |              |       |       |              |             |
|       | 32              | 136,65           | 136,65 | A          | 15,08 | -     | -               | -     | -            | -     | 5,770 | 0,77         | PHS 41-1A35 |
|       |                 |                  |        |            |       |       |                 |       |              |       |       |              |             |
|       | 35              | 148,84           | 148,84 | A          | 15,08 | -     | -               | -     | -            | -     | 5,770 | 0,83         | PHS 41-1A36 |
|       |                 |                  |        |            |       |       |                 |       |              |       |       |              |             |
|       | 36              | 152,91           | 152,91 | A          | 18,26 | -     | -               | -     | -            | -     | 5,770 | 1,01         | PHS 41-1A40 |
|       |                 |                  |        |            |       |       |                 |       |              |       |       |              |             |
|       | 40              | 168,91           | 168,91 | A          | 18,26 | -     | -               | -     | -            | -     | 5,770 | 1,13         | PHS 41-1A42 |
|       |                 |                  |        |            |       |       |                 |       |              |       |       |              |             |
|       | 42              | 177,04           | 177,04 | A          | 18,26 | -     | -               | -     | -            | -     | 5,770 | 1,14         | PHS 41-1A45 |
| B     |                 |                  |        |            |       |       |                 |       |              |       |       |              |             |
| 45    | 189,23          | 189,23           | A      | 18,26      | -     | -     | -               | -     | -            | 5,770 | 1,32  | PHS 41-1A48  |             |
|       |                 |                  |        |            |       |       |                 |       |              |       |       |              | B           |
| 48    | 201,42          | 201,42           | A      | 18,26      | -     | -     | -               | -     | -            | 5,770 | 1,61  | PHS 41-1A54  |             |
|       |                 |                  |        |            |       |       |                 |       |              |       |       |              | B           |
| 54    | 225,55          | 225,55           | A      | 18,26      | -     | -     | -               | -     | -            | 5,770 | 2,09  | PHS 41-1A60  |             |
|       |                 |                  |        |            |       |       |                 |       |              |       |       |              | B           |
| 60    | 249,94          | 249,94           | A      | 18,26      | -     | -     | -               | -     | -            | 5,770 | 2,82  | PHS 41-1A70  |             |
|       |                 |                  |        |            |       |       |                 |       |              |       |       |              | B           |
| 70    | 290,32          | 290,32           | A      | 18,26      | -     | -     | -               | -     | -            | 5,770 | 2,87  | PHS 41-1A72  |             |
|       |                 |                  |        |            |       |       |                 |       |              |       |       |              | B           |

Maximum bores can accommodate standard keyways. Larger bores are available where a shallow keyway is used or no keyway is required. All Type B or C sprockets, up to and including 25 tooth, are with hardened teeth as standard. For any additional size sprockets with hardened teeth, add "H" before the number of teeth, e.g. PHS 25-1BH9.

# ANSI sprockets, simplex, pilot bore

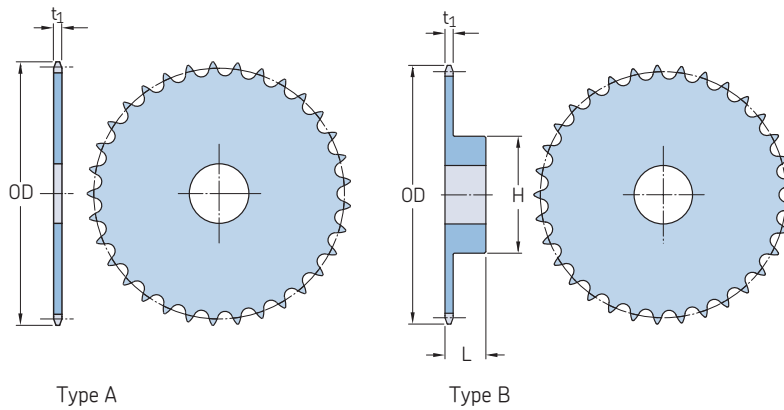
ANSI 41-1 · 12,70 mm (1/2") pitch | ANSI 40-1 · 12,70 mm (1/2") pitch

| Pitch |        | Number of teeth | Outside diameter<br>OD | Type  | Dimensions |       | Hub   |        | Plate thickness<br>t <sub>1</sub> | Mass<br>kg  | Designation |              |
|-------|--------|-----------------|------------------------|-------|------------|-------|-------|--------|-----------------------------------|-------------|-------------|--------------|
| mm    | in.    |                 |                        |       | Bore stock | Bore  | H     | L      |                                   |             |             | Min.         |
| 12,70 | 1/2    | 80              | 330,96                 | A     | 18,26      | –     | –     | –      | 5,770                             | 3,84        | PHS 41-1A80 |              |
|       |        |                 | 330,96                 | B     | –          | 19,05 | 69,85 | 101,60 | 30,16                             | 5,770       | 5,23        | PHS 41-1B80  |
|       |        | 84              | 346,96                 | A     | 18,26      | –     | –     | –      | –                                 | 5,770       | 4,14        | PHS 41-1A84  |
|       |        |                 | 346,96                 | B     | –          | 19,05 | 69,85 | 101,60 | 30,16                             | 5,770       | 5,53        | PHS 41-1B84  |
|       |        | 96              | 395,48                 | A     | 23,81      | –     | –     | –      | –                                 | 5,770       | 5,37        | PHS 41-1A96  |
|       |        |                 | 395,48                 | B     | –          | 25,40 | 69,85 | 101,60 | 30,16                             | 5,770       | 6,74        | PHS 41-1B96  |
|       |        | 112             | 460,25                 | A     | 23,81      | –     | –     | –      | –                                 | 5,770       | 7,18        | PHS 41-1A112 |
|       |        |                 | 460,25                 | B     | –          | 25,40 | 69,85 | 101,60 | 30,16                             | 5,770       | 8,69        | PHS 41-1B112 |
|       |        | 8               | 38,10                  | B     | –          | 12,70 | 12,70 | 24,61  | 22,23                             | 7,210       | 0,08        | PHS 40-1BH8  |
|       |        | 9               | 42,42                  | B     | –          | 12,70 | 14,29 | 26,99  | 22,23                             | 7,210       | 0,09        | PHS 40-1BH9  |
|       |        | 10              | 46,74                  | B     | –          | 12,70 | 19,05 | 31,75  | 22,23                             | 7,210       | 0,12        | PHS 40-1BH10 |
|       |        | 11              | 50,80                  | B     | –          | 12,70 | 22,23 | 34,93  | 22,23                             | 7,210       | 0,16        | PHS 40-1BH11 |
|       |        | 12              | 55,12                  | A     | 12,70      | –     | –     | –      | –                                 | 7,210       | 0,08        | PHS 40-1A12  |
|       |        |                 | 55,12                  | B     | –          | 12,70 | 25,40 | 39,69  | 22,23                             | 7,210       | 0,20        | PHS 40-1B12  |
|       |        | 13              | 59,18                  | A     | 12,70      | –     | –     | –      | –                                 | 7,210       | 0,10        | PHS 40-1A13  |
|       |        |                 | 59,18                  | B     | –          | 12,70 | 26,99 | 39,69  | 22,23                             | 7,210       | 0,23        | PHS 40-1B13  |
|       |        | 14              | 63,25                  | A     | 12,70      | –     | –     | –      | –                                 | 7,210       | 0,12        | PHS 40-1A14  |
|       |        |                 | 63,25                  | B     | –          | 12,70 | 28,58 | 42,86  | 22,23                             | 7,210       | 0,27        | PHS 40-1B14  |
|       |        | 15              | 67,31                  | A     | 15,88      | –     | –     | –      | –                                 | 7,210       | 0,14        | PHS 40-1A15  |
|       |        |                 | 67,31                  | B     | –          | 12,70 | 31,75 | 46,04  | 22,23                             | 7,210       | 0,32        | PHS 40-1B15  |
|       |        | 16              | 71,37                  | A     | 15,88      | –     | –     | –      | –                                 | 7,210       | 0,15        | PHS 40-1A16  |
|       |        |                 | 71,37                  | B     | –          | 15,88 | 34,93 | 50,80  | 22,23                             | 7,210       | 0,36        | PHS 40-1B16  |
|       |        | 17              | 75,69                  | A     | 15,88      | –     | –     | –      | –                                 | 7,210       | 0,16        | PHS 40-1A17  |
|       |        |                 | 75,69                  | B     | –          | 15,88 | 36,51 | 53,98  | 25,40                             | 7,210       | 0,47        | PHS 40-1B17  |
|       |        | 18              | 79,76                  | A     | 15,88      | –     | –     | –      | –                                 | 7,210       | 0,20        | PHS 40-1A18  |
|       |        |                 | 79,76                  | B     | –          | 15,88 | 38,10 | 58,74  | 25,40                             | 7,210       | 0,55        | PHS 40-1B18  |
|       |        | 19              | 83,82                  | A     | 15,88      | –     | –     | –      | –                                 | 7,210       | 0,21        | PHS 40-1A19  |
|       |        |                 | 83,82                  | B     | –          | 15,88 | 44,45 | 63,50  | 25,40                             | 7,210       | 0,65        | PHS 40-1B19  |
|       |        | 20              | 87,88                  | A     | 15,88      | –     | –     | –      | –                                 | 7,210       | 0,25        | PHS 40-1A20  |
|       |        |                 | 87,88                  | B     | –          | 15,88 | 47,63 | 66,68  | 25,40                             | 7,210       | 0,71        | PHS 40-1B20  |
|       |        | 21              | 91,95                  | A     | 15,88      | –     | –     | –      | –                                 | 7,210       | 0,26        | PHS 40-1A21  |
|       |        |                 | 91,95                  | B     | –          | 15,88 | 47,63 | 69,85  | 25,40                             | 7,210       | 0,78        | PHS 40-1B21  |
|       |        | 22              | 96,01                  | A     | 15,88      | –     | –     | –      | –                                 | 7,210       | 0,30        | PHS 40-1A22  |
|       |        |                 | 96,01                  | B     | –          | 15,88 | 47,63 | 73,03  | 25,40                             | 7,210       | 0,89        | PHS 40-1B22  |
| 23    | 100,08 | A               | 15,88                  | –     | –          | –     | –     | 7,210  | 0,33                              | PHS 40-1A23 |             |              |
|       | 100,08 | B               | –                      | 15,88 | 50,80      | 76,20 | 25,40 | 7,210  | 0,97                              | PHS 40-1B23 |             |              |
| 24    | 104,14 | A               | 15,88                  | –     | –          | –     | –     | 7,210  | 0,37                              | PHS 40-1A24 |             |              |
|       | 104,14 | B               | –                      | 15,88 | 57,15      | 82,55 | 25,40 | 7,210  | 1,09                              | PHS 40-1B24 |             |              |
| 25    | 108,20 | A               | 15,88                  | –     | –          | –     | –     | 7,210  | 0,40                              | PHS 40-1A25 |             |              |
|       | 108,20 | B               | –                      | 15,88 | 57,15      | 82,55 | 25,40 | 7,210  | 1,15                              | PHS 40-1B25 |             |              |
| 26    | 112,27 | A               | 15,88                  | –     | –          | –     | –     | 7,210  | 0,43                              | PHS 40-1A26 |             |              |
|       | 112,27 | B               | –                      | 15,88 | 57,15      | 82,55 | 25,40 | 7,210  | 1,17                              | PHS 40-1B26 |             |              |
| 27    | 116,33 | A               | 15,88                  | –     | –          | –     | –     | 7,210  | 0,44                              | PHS 40-1A27 |             |              |
|       | 116,33 | B               | –                      | 15,88 | 57,15      | 82,55 | 25,40 | 7,210  | 1,21                              | PHS 40-1B27 |             |              |
| 28    | 120,40 | A               | 15,88                  | –     | –          | –     | –     | 7,210  | 0,50                              | PHS 40-1A28 |             |              |
|       | 120,40 | B               | –                      | 15,88 | 57,15      | 82,55 | 25,40 | 7,210  | 1,24                              | PHS 40-1B28 |             |              |
| 29    | 124,46 | A               | 15,08                  | –     | –          | –     | –     | 7,210  | 0,55                              | PHS 40-1A29 |             |              |
|       | 124,46 | B               | –                      | 15,88 | 57,15      | 82,55 | 25,40 | 7,210  | 1,27                              | PHS 40-1B29 |             |              |
| 30    | 128,52 | A               | 15,08                  | –     | –          | –     | –     | 7,210  | 0,57                              | PHS 40-1A30 |             |              |
|       | 128,52 | B               | –                      | 15,88 | 57,15      | 82,55 | 25,40 | 7,210  | 1,35                              | PHS 40-1B30 |             |              |
| 31    | 132,59 | A               | 15,08                  | –     | –          | –     | –     | 7,210  | 0,64                              | PHS 40-1A31 |             |              |
|       | 132,59 | B               | –                      | 15,88 | 57,15      | 82,55 | 25,40 | 7,210  | 1,41                              | PHS 40-1B31 |             |              |
| 32    | 136,65 | A               | 15,08                  | –     | –          | –     | –     | 7,210  | 0,67                              | PHS 40-1A32 |             |              |
|       | 136,65 | B               | –                      | 15,88 | 57,15      | 82,55 | 25,40 | 7,210  | 1,43                              | PHS 40-1B32 |             |              |
| 33    | 140,72 | A               | 15,08                  | –     | –          | –     | –     | 7,210  | 0,71                              | PHS 40-1A33 |             |              |
|       | 140,72 | B               | –                      | 15,88 | 57,15      | 82,55 | 25,40 | 7,210  | 1,46                              | PHS 40-1B33 |             |              |
| 34    | 144,78 | A               | 15,08                  | –     | –          | –     | –     | 7,210  | 0,74                              | PHS 40-1A34 |             |              |
|       | 144,78 | B               | –                      | 15,88 | 57,15      | 82,55 | 25,40 | 7,210  | 1,50                              | PHS 40-1B34 |             |              |

Maximum bores can accommodate standard keyways. Larger bores are available where a shallow keyway is used or no keyway is required. All Type B or C sprockets, up to and including 25 tooth, are with hardened teeth as standard. For any additional size sprockets with hardened teeth, add "H" before the number of teeth, e.g. PHS 25-1BH9.

# ANSI sprockets, simplex, pilot bore

ANSI 40-1 · 12,70 mm (1/2") pitch



| Pitch | Number of teeth | Outside diameter<br>OD | Type   | Dimensions<br>Bore stock |              | Hub   |       | Plate thickness |             | Mass        | Designation |
|-------|-----------------|------------------------|--------|--------------------------|--------------|-------|-------|-----------------|-------------|-------------|-------------|
|       |                 |                        |        | Bore<br>Min.             | Bore<br>Max. | H     | L     | t <sub>1</sub>  |             |             |             |
| mm    | in.             | mm                     | –      | mm                       | –            | –     | –     | –               | –           | kg          | –           |
| 12,70 | 1/2             | 35                     | A      | 15,08                    | –            | –     | –     | –               | 7,210       | 0,77        | PHS 40-1A35 |
|       |                 |                        | B      | –                        | 15,88        | 57,15 | 82,55 | 25,40           | 7,210       | 1,57        | PHS 40-1B35 |
|       | 36              | A                      | 15,08  | –                        | –            | –     | –     | 7,210           | 0,83        | PHS 40-1A36 |             |
|       |                 | B                      | –      | 15,88                    | 57,15        | 82,55 | 25,40 | 7,210           | 1,62        | PHS 40-1B36 |             |
|       | 37              | A                      | 15,08  | –                        | –            | –     | –     | 7,210           | 0,87        | PHS 40-1A37 |             |
|       |                 | B                      | –      | 15,88                    | 57,15        | 82,55 | 25,40 | 7,210           | 1,64        | PHS 40-1B37 |             |
|       | 38              | A                      | 160,78 | –                        | –            | –     | –     | 7,210           | 0,91        | PHS 40-1A38 |             |
|       |                 | B                      | 160,78 | –                        | 15,88        | 57,15 | 82,55 | 25,40           | 7,210       | 1,68        | PHS 40-1B38 |
|       | 39              | A                      | 164,85 | –                        | –            | –     | –     | 7,210           | 0,92        | PHS 40-1A39 |             |
|       |                 | B                      | 164,85 | –                        | 15,88        | 57,15 | 82,55 | 25,40           | 7,210       | 1,71        | PHS 40-1B39 |
|       | 40              | A                      | 168,91 | –                        | –            | –     | –     | 7,210           | 1,01        | PHS 40-1A40 |             |
|       |                 | B                      | 168,91 | –                        | 19,05        | 60,33 | 88,90 | 28,58           | 7,210       | 2,13        | PHS 40-1B40 |
|       | 41              | A                      | 172,97 | –                        | –            | –     | –     | 7,210           | 1,10        | PHS 40-1A41 |             |
|       |                 | B                      | 172,97 | –                        | 19,05        | 60,33 | 88,90 | 28,58           | 7,210       | 2,16        | PHS 40-1B41 |
|       | 42              | A                      | 177,04 | –                        | –            | –     | –     | 7,210           | 1,13        | PHS 40-1A42 |             |
|       |                 | B                      | 177,04 | –                        | 19,05        | 60,33 | 88,90 | 28,58           | 7,210       | 2,19        | PHS 40-1B42 |
|       | 43              | A                      | 181,10 | –                        | –            | –     | –     | 7,210           | 1,27        | PHS 40-1A43 |             |
|       |                 | B                      | 181,10 | –                        | 19,05        | 60,33 | 88,90 | 28,58           | 7,210       | 2,32        | PHS 40-1B43 |
|       | 44              | A                      | 185,17 | –                        | –            | –     | –     | 7,210           | 1,29        | PHS 40-1A44 |             |
|       |                 | B                      | 185,17 | –                        | 19,05        | 60,33 | 88,90 | 28,58           | 7,210       | 2,34        | PHS 40-1B44 |
|       | 45              | A                      | 189,23 | –                        | –            | –     | –     | 7,210           | 1,43        | PHS 40-1A45 |             |
|       |                 | B                      | 189,23 | –                        | 19,05        | 60,33 | 88,90 | 28,58           | 7,210       | 2,40        | PHS 40-1B45 |
|       | 46              | A                      | 193,29 | –                        | –            | –     | –     | 7,210           | 1,48        | PHS 40-1A46 |             |
|       |                 | B                      | 193,29 | –                        | 19,05        | 60,33 | 88,90 | 28,58           | 7,210       | 2,53        | PHS 40-1B46 |
|       | 47              | A                      | 197,36 | –                        | –            | –     | –     | 7,210           | 1,51        | PHS 40-1A47 |             |
|       |                 | B                      | 197,36 | –                        | 19,05        | 60,33 | 88,90 | 28,58           | 7,210       | 2,47        | PHS 40-1B47 |
|       | 48              | A                      | 201,42 | –                        | –            | –     | –     | 7,210           | 1,46        | PHS 40-1A48 |             |
|       |                 | B                      | 201,42 | –                        | 19,05        | 60,33 | 88,90 | 28,58           | 7,210       | 2,65        | PHS 40-1B48 |
|       | 49              | A                      | 205,49 | –                        | –            | –     | –     | 7,210           | 1,56        | PHS 40-1A49 |             |
|       |                 | B                      | 205,49 | –                        | 19,05        | 60,33 | 88,90 | 28,58           | 7,210       | 2,68        | PHS 40-1B49 |
|       | 50              | A                      | 209,55 | –                        | –            | –     | –     | 7,210           | 1,64        | PHS 40-1A50 |             |
|       |                 | B                      | 209,55 | –                        | 19,05        | 60,33 | 88,90 | 28,58           | 7,210       | 2,70        | PHS 40-1B50 |
| 51    | A               | 213,61                 | –      | –                        | –            | –     | 7,210 | 1,79            | PHS 40-1A51 |             |             |
|       | B               | 213,61                 | –      | 19,05                    | 60,33        | 88,90 | 28,58 | 7,210           | 2,76        | PHS 40-1B51 |             |
| 52    | A               | 217,68                 | –      | –                        | –            | –     | 7,210 | 1,85            | PHS 40-1A52 |             |             |
|       | B               | 217,68                 | –      | 19,05                    | 60,33        | 88,90 | 28,58 | 7,210           | 2,85        | PHS 40-1B52 |             |
| 53    | A               | 221,74                 | –      | –                        | –            | –     | 7,210 | 1,83            | PHS 40-1A53 |             |             |
|       | B               | 221,74                 | –      | 19,05                    | 60,33        | 88,90 | 28,58 | 7,210           | 2,87        | PHS 40-1B53 |             |
| 54    | A               | 225,81                 | –      | –                        | –            | –     | 7,210 | 2,01            | PHS 40-1A54 |             |             |
|       | B               | 225,81                 | –      | 19,05                    | 60,33        | 88,90 | 28,58 | 7,210           | 2,91        | PHS 40-1B54 |             |
| 55    | A               | 229,62                 | –      | –                        | –            | –     | 7,210 | 2,06            | PHS 40-1A55 |             |             |
|       | B               | 229,62                 | –      | 19,05                    | 60,33        | 88,90 | 28,58 | 7,210           | 2,93        | PHS 40-1B55 |             |
| 56    |                 | 233,68                 | A      | 18,26                    | –            | –     | –     | –               | 7,210       | 2,20        | PHS 40-1A56 |

Maximum bores can accommodate standard keyways. Larger bores are available where a shallow keyway is used or no keyway is required. All Type B or C sprockets, up to and including 25 tooth, are with hardened teeth as standard. For any additional size sprockets with hardened teeth, add "H" before the number of teeth, e.g. PHS 25-1BH9.

# ANSI sprockets, simplex, pilot bore

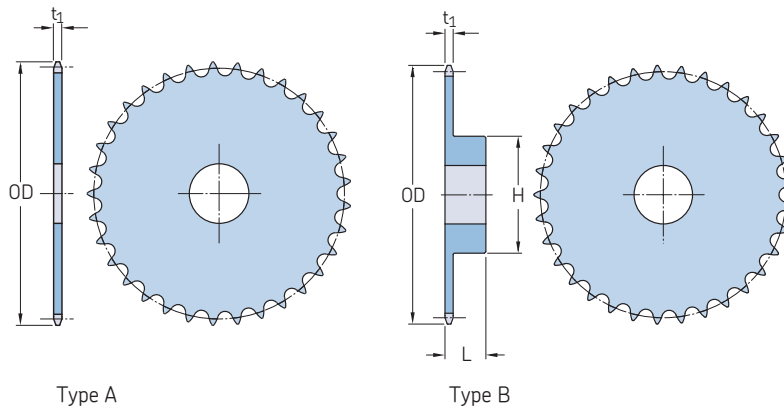
ANSI 40-1 · 12,70 mm (1/2") pitch | ANSI 50-1 · 15,88 mm (5/8") pitch

| Pitch |                  | Number of teeth | Outside diameter<br>OD | Type  | Dimensions |           |           | Hub    |       | Plate thickness<br>t <sub>1</sub> | Mass<br>kg | Designation  |
|-------|------------------|-----------------|------------------------|-------|------------|-----------|-----------|--------|-------|-----------------------------------|------------|--------------|
| mm    | in.              |                 |                        |       | Bore stock | Bore Min. | Bore Max. | H      | L     |                                   |            |              |
| 12,70 | 1/2              | 56              | 233,68                 | B     | –          | 19,05     | 60,33     | 88,90  | 28,58 | 7,210                             | 3,13       | PHS 40-1B56  |
|       |                  |                 |                        | A     | 18,26      | –         | –         | –      | –     | 7,210                             | 2,27       | PHS 40-1A57  |
|       |                  | 57              | 237,74<br>237,74       | B     | –          | 19,05     | 60,33     | 88,90  | 28,58 | 7,210                             | 3,18       | PHS 40-1B57  |
|       |                  |                 |                        | A     | 18,26      | –         | –         | –      | –     | 7,210                             | 2,32       | PHS 40-1A58  |
|       |                  | 58              | 241,81<br>241,81       | B     | –          | 19,05     | 60,33     | 88,90  | 28,58 | 7,210                             | 3,34       | PHS 40-1B58  |
|       |                  |                 |                        | A     | 18,26      | –         | –         | –      | –     | 7,210                             | 2,40       | PHS 40-1A59  |
|       |                  | 59              | 245,87<br>245,87       | B     | –          | 19,05     | 60,33     | 88,90  | 28,58 | 7,210                             | 3,38       | PHS 40-1B59  |
|       |                  |                 |                        | A     | 18,26      | –         | –         | –      | –     | 7,210                             | 2,49       | PHS 40-1A60  |
|       |                  | 60              | 249,94<br>249,94       | B     | –          | 19,05     | 60,33     | 88,90  | 28,58 | 7,210                             | 3,57       | PHS 40-1B60  |
|       |                  |                 |                        | A     | 18,26      | –         | –         | –      | –     | 7,210                             | 2,49       | PHS 40-1A60  |
|       |                  | 70              | 290,32<br>290,32       | B     | –          | 19,05     | 69,85     | 101,60 | 31,75 | 7,210                             | 4,99       | PHS 40-1B70  |
|       |                  |                 |                        | A     | 18,26      | –         | –         | –      | –     | 7,210                             | 3,28       | PHS 40-1A70  |
|       |                  | 72              | 298,45<br>298,45       | B     | –          | 19,05     | 69,85     | 101,60 | 31,75 | 7,210                             | 5,22       | PHS 40-1B72  |
|       |                  |                 |                        | A     | 18,26      | –         | –         | –      | –     | 7,210                             | 3,51       | PHS 40-1A72  |
|       |                  | 80              | 330,96<br>330,96       | B     | –          | 19,05     | 69,85     | 101,60 | 31,75 | 7,210                             | 6,08       | PHS 40-1B80  |
|       |                  |                 |                        | A     | 18,26      | –         | –         | –      | –     | 7,210                             | 4,63       | PHS 40-1A80  |
|       |                  | 84              | 346,96<br>346,96       | B     | –          | 19,05     | 69,85     | 101,60 | 31,75 | 7,210                             | 6,37       | PHS 40-1B84  |
|       |                  |                 |                        | A     | 18,26      | –         | –         | –      | –     | 7,210                             | 4,57       | PHS 40-1A84  |
| 96    | 395,48<br>395,48 | B               | –                      | 25,40 | 69,85      | 101,60    | 31,75     | 7,210  | 7,97  | PHS 40-1B96                       |            |              |
|       |                  | A               | 23,81                  | –     | –          | –         | –         | 7,210  | 5,51  | PHS 40-1A96                       |            |              |
| 112   | 460,25<br>460,25 | B               | –                      | 25,40 | 69,85      | 101,60    | 31,75     | 7,210  | 10,23 | PHS 40-1B112                      |            |              |
|       |                  | A               | 23,81                  | –     | –          | –         | –         | 7,210  | 9,07  | PHS 40-1A112                      |            |              |
| 15,88 | 5/8              | 8               | 47,75                  | B     | –          | 15,88     | 15,88     | 28,58  | 25,40 | 8,710                             | 0,11       | PHS 50-1BH8  |
|       |                  |                 |                        | A     | –          | –         | –         | –      | –     | –                                 | –          | –            |
|       |                  | 9               | 53,09                  | B     | –          | 15,88     | 19,05     | 34,93  | 25,40 | 8,710                             | 0,16       | PHS 50-1BH9  |
|       |                  |                 |                        | A     | –          | –         | –         | –      | –     | –                                 | –          | –            |
|       |                  | 10              | 58,42                  | B     | –          | 15,88     | 22,23     | 39,69  | 25,40 | 8,710                             | 0,22       | PHS 50-1BH10 |
|       |                  |                 |                        | A     | –          | –         | –         | –      | –     | –                                 | –          | –            |
|       |                  | 11              | 63,50                  | B     | –          | 15,88     | 25,40     | 44,45  | 25,40 | 8,710                             | 0,29       | PHS 50-1BH11 |
|       |                  |                 |                        | A     | –          | –         | –         | –      | –     | –                                 | –          | –            |
|       |                  | 12              | 68,83<br>68,83         | B     | –          | 15,88     | 31,75     | 50,40  | 25,40 | 8,710                             | 0,38       | PHS 50-1BH12 |
|       |                  |                 |                        | A     | 15,88      | –         | –         | –      | –     | 8,710                             | 0,15       | PHS 50-1A12  |
|       |                  | 13              | 73,91<br>73,91         | B     | –          | 15,88     | 33,34     | 47,63  | 25,40 | 8,710                             | 0,40       | PHS 50-1BH13 |
|       |                  |                 |                        | A     | 15,88      | –         | –         | –      | –     | 8,710                             | 0,19       | PHS 50-1A13  |
|       |                  | 14              | 78,99<br>78,99         | B     | –          | 15,88     | 36,51     | 53,98  | 25,40 | 8,710                             | 0,51       | PHS 50-1BH14 |
|       |                  |                 |                        | A     | 15,88      | –         | –         | –      | –     | 8,710                             | 0,23       | PHS 50-1A14  |
|       |                  | 15              | 84,33<br>84,33         | B     | –          | 15,88     | 38,10     | 60,33  | 25,40 | 8,710                             | 0,61       | PHS 50-1BH15 |
|       |                  |                 |                        | A     | 15,88      | –         | –         | –      | –     | 8,710                             | 0,24       | PHS 50-1A15  |
|       |                  | 16              | 89,41<br>89,41         | B     | –          | 15,88     | 44,45     | 63,50  | 25,40 | 8,710                             | 0,68       | PHS 50-1BH16 |
|       |                  |                 |                        | A     | 15,88      | –         | –         | –      | –     | 8,710                             | 0,31       | PHS 50-1A16  |
|       |                  | 17              | 94,49<br>94,49         | B     | –          | 15,88     | 47,63     | 68,26  | 25,40 | 8,710                             | 0,79       | PHS 50-1BH17 |
|       |                  |                 |                        | A     | 15,88      | –         | –         | –      | –     | 8,710                             | 0,34       | PHS 50-1A17  |
|       |                  | 18              | 99,57<br>99,57         | B     | –          | 15,88     | 47,63     | 73,03  | 25,40 | 8,710                             | 0,91       | PHS 50-1BH18 |
|       |                  |                 |                        | A     | 15,88      | –         | –         | –      | –     | 8,710                             | 0,39       | PHS 50-1A18  |
|       |                  | 19              | 104,65<br>104,65       | B     | –          | 15,88     | 50,80     | 76,20  | 25,40 | 8,710                             | 1,01       | PHS 50-1BH19 |
|       |                  |                 |                        | A     | 15,88      | –         | –         | –      | –     | 8,710                             | 0,43       | PHS 50-1A19  |
|       |                  | 20              | 109,73<br>109,73       | B     | –          | 19,05     | 50,80     | 76,20  | 25,40 | 8,710                             | 1,03       | PHS 50-1BH20 |
|       |                  |                 |                        | A     | 19,05      | –         | –         | –      | –     | 8,710                             | 0,48       | PHS 50-1A20  |
|       |                  | 21              | 114,81<br>114,81       | B     | –          | 19,05     | 50,80     | 76,20  | 25,40 | 8,710                             | 1,09       | PHS 50-1BH21 |
| A     | 19,05            |                 |                        | –     | –          | –         | –         | 8,710  | 0,51  | PHS 50-1A21                       |            |              |
| 22    | 119,89<br>119,89 | B               | –                      | 19,05 | 50,80      | 76,20     | 25,40     | 8,710  | 1,16  | PHS 50-1BH22                      |            |              |
|       |                  | A               | 19,05                  | –     | –          | –         | –         | 8,710  | 0,59  | PHS 50-1A22                       |            |              |
| 23    | 124,97<br>124,97 | B               | –                      | 19,05 | 50,80      | 76,20     | 25,40     | 8,710  | 1,21  | PHS 50-1BH23                      |            |              |
|       |                  | A               | 19,05                  | –     | –          | –         | –         | 8,710  | 0,65  | PHS 50-1A23                       |            |              |
| 24    | 130,05<br>130,05 | B               | –                      | 19,05 | 50,80      | 76,20     | 31,75     | 8,710  | 1,50  | PHS 50-1BH24                      |            |              |
|       |                  | A               | 18,26                  | –     | –          | –         | –         | 8,710  | 0,68  | PHS 50-1A24                       |            |              |
| 25    | 135,13<br>135,13 | B               | –                      | 19,05 | 50,80      | 76,20     | 31,75     | 8,710  | 1,54  | PHS 50-1BH25                      |            |              |
|       |                  | A               | 18,26                  | –     | –          | –         | –         | 8,710  | 0,73  | PHS 50-1A25                       |            |              |
| 26    | 140,21<br>140,21 | B               | –                      | 19,05 | 50,80      | 76,20     | 31,75     | 8,710  | 1,56  | PHS 50-1BH26                      |            |              |
|       |                  | A               | 18,26                  | –     | –          | –         | –         | 8,710  | 0,78  | PHS 50-1A26                       |            |              |
| 27    | 145,29<br>145,29 | B               | –                      | 19,05 | 50,80      | 76,20     | 31,75     | 8,710  | 1,70  | PHS 50-1BH27                      |            |              |
|       |                  | A               | 18,26                  | –     | –          | –         | –         | 8,710  | 0,89  | PHS 50-1A27                       |            |              |

Maximum bores can accommodate standard keyways. Larger bores are available where a shallow keyway is used or no keyway is required. All Type B or C sprockets, up to and including 25 tooth, are with hardened teeth as standard. For any additional size sprockets with hardened teeth, add "H" before the number of teeth, e.g. PHS 25-1BH9.

# ANSI sprockets, simplex, pilot bore

ANSI 50-1 · 15,88 mm (5/8") pitch



| Pitch | Number of teeth | Outside diameter | Type  | Dimensions |       | Hub   | Plate thickness | Mass  | Designation    |             |             |
|-------|-----------------|------------------|-------|------------|-------|-------|-----------------|-------|----------------|-------------|-------------|
|       |                 |                  |       | Bore stock | Bore  |       |                 |       |                |             |             |
|       |                 | OD               |       |            | Min.  | Max.  | H               | L     | t <sub>1</sub> |             |             |
| mm    | in.             | mm               |       | mm         |       |       |                 |       | kg             |             |             |
| 15,88 | 5/8             | 28               | A     | 18,26      | -     | -     | -               | -     | 8,710          | 0,93        | PHS 50-1A28 |
|       |                 |                  | B     | -          | 19,05 | 50,80 | 76,20           | 31,75 | 8,710          | 1,72        | PHS 50-1B28 |
|       | 29              | A                | 18,26 | -          | -     | -     | -               | 8,710 | 1,07           | PHS 50-1A29 |             |
|       |                 | B                | -     | 19,05      | 50,80 | 76,20 | 31,75           | 8,710 | 1,84           | PHS 50-1B29 |             |
|       | 30              | A                | 18,26 | -          | -     | -     | -               | 8,710 | 1,15           | PHS 50-1A30 |             |
|       |                 | B                | -     | 19,05      | 57,15 | 82,55 | 31,75           | 8,710 | 2,07           | PHS 50-1B30 |             |
|       | 31              | A                | 18,26 | -          | -     | -     | -               | 8,710 | 1,27           | PHS 50-1A31 |             |
|       |                 | B                | -     | 19,05      | 57,15 | 82,55 | 31,75           | 8,710 | 2,15           | PHS 50-1B31 |             |
|       | 32              | A                | 18,26 | -          | -     | -     | -               | 8,710 | 1,23           | PHS 50-1A32 |             |
|       |                 | B                | -     | 19,05      | 57,15 | 82,55 | 31,75           | 8,710 | 2,25           | PHS 50-1B32 |             |
|       | 33              | A                | 18,26 | -          | -     | -     | -               | 8,710 | 1,42           | PHS 50-1A33 |             |
|       |                 | B                | -     | 19,05      | 57,15 | 82,55 | 31,75           | 8,710 | 2,36           | PHS 50-1B33 |             |
|       | 34              | A                | 18,26 | -          | -     | -     | -               | 8,710 | 1,45           | PHS 50-1A34 |             |
|       |                 | B                | -     | 19,05      | 57,15 | 82,55 | 31,75           | 8,710 | 2,33           | PHS 50-1B34 |             |
|       | 35              | A                | 18,26 | -          | -     | -     | -               | 8,710 | 1,51           | PHS 50-1A35 |             |
|       |                 | B                | -     | 19,05      | 57,15 | 82,55 | 31,75           | 8,710 | 2,47           | PHS 50-1B35 |             |
|       | 36              | A                | 18,26 | -          | -     | -     | -               | 8,710 | 1,73           | PHS 50-1A36 |             |
|       |                 | B                | -     | 19,05      | 57,15 | 82,55 | 31,75           | 8,710 | 2,56           | PHS 50-1B36 |             |
|       | 37              | A                | 18,26 | -          | -     | -     | -               | 8,710 | 1,81           | PHS 50-1A37 |             |
|       |                 | B                | -     | 19,05      | 57,15 | 82,55 | 31,75           | 8,710 | 2,68           | PHS 50-1B37 |             |
| 38    | A               | 18,26            | -     | -          | -     | -     | 8,710           | 1,88  | PHS 50-1A38    |             |             |
|       | B               | -                | 19,05 | 57,15      | 82,55 | 31,75 | 8,710           | 2,76  | PHS 50-1B38    |             |             |
| 39    | A               | 18,26            | -     | -          | -     | -     | 8,710           | 2,00  | PHS 50-1A39    |             |             |
|       | B               | -                | 19,05 | 57,15      | 82,55 | 31,75 | 8,710           | 2,86  | PHS 50-1B39    |             |             |
| 40    | A               | 18,26            | -     | -          | -     | -     | 8,710           | 2,02  | PHS 50-1A40    |             |             |
|       | B               | -                | 19,05 | 57,15      | 82,55 | 31,75 | 8,710           | 2,95  | PHS 50-1B40    |             |             |
| 41    | A               | 18,26            | -     | -          | -     | -     | 8,710           | 2,20  | PHS 50-1A41    |             |             |
|       | B               | -                | 19,05 | 57,15      | 82,55 | 31,75 | 8,710           | 3,01  | PHS 50-1B41    |             |             |
| 42    | A               | 18,26            | -     | -          | -     | -     | 8,710           | 2,26  | PHS 50-1A42    |             |             |
|       | B               | -                | 19,05 | 57,15      | 82,55 | 31,75 | 8,710           | 3,16  | PHS 50-1B42    |             |             |
| 43    | A               | 18,26            | -     | -          | -     | -     | 8,710           | 2,38  | PHS 50-1A43    |             |             |
|       | B               | -                | 19,05 | 57,15      | 82,55 | 31,75 | 8,710           | 3,20  | PHS 50-1B43    |             |             |
| 44    | A               | 18,26            | -     | -          | -     | -     | 8,710           | 2,46  | PHS 50-1A44    |             |             |
|       | B               | -                | 19,05 | 57,15      | 82,55 | 31,75 | 8,710           | 3,44  | PHS 50-1B44    |             |             |
| 45    | A               | 18,26            | -     | -          | -     | -     | 8,710           | 2,69  | PHS 50-1A45    |             |             |
|       | B               | -                | 19,05 | 63,50      | 95,25 | 31,75 | 8,710           | 3,89  | PHS 50-1B45    |             |             |
| 46    | A               | 23,81            | -     | -          | -     | -     | 8,710           | 2,91  | PHS 50-1A46    |             |             |
|       | B               | -                | 25,40 | 63,50      | 95,25 | 31,75 | 8,710           | 3,73  | PHS 50-1B46    |             |             |
| 47    | A               | 23,81            | -     | -          | -     | -     | 8,710           | 2,95  | PHS 50-1A47    |             |             |
|       | B               | -                | 25,40 | 63,50      | 95,25 | 31,75 | 8,710           | 3,85  | PHS 50-1B47    |             |             |
| 48    | A               | 23,81            | -     | -          | -     | -     | 8,710           | 2,98  | PHS 50-1A48    |             |             |
|       | B               | -                | 25,40 | 63,50      | 95,25 | 31,75 | 8,710           | 4,21  | PHS 50-1B48    |             |             |
| 49    | 256,79          | A                | 23,81 | -          | -     | -     | 8,710           | 3,20  | PHS 50-1A49    |             |             |

Maximum bores can accommodate standard keyways. Larger bores are available where a shallow keyway is used or no keyway is required. All Type B or C sprockets, up to and including 25 tooth, are with hardened teeth as standard. For any additional size sprockets with hardened teeth, add "H" before the number of teeth, e.g. PHS 25-1BH9.



# ANSI sprockets, simplex, pilot bore

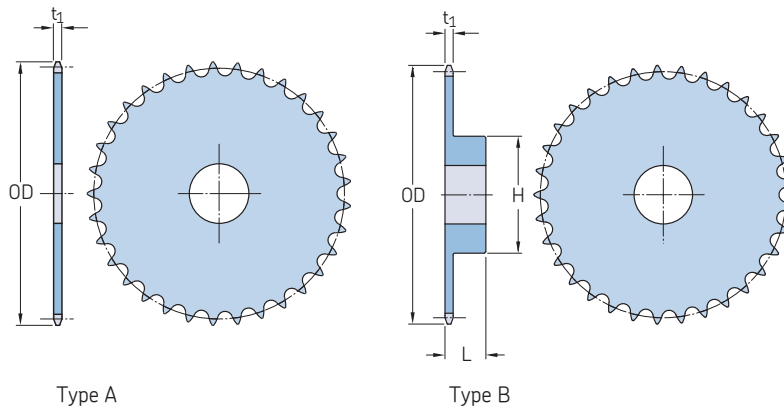
ANSI 50-1 · 15,88 mm (5/8") pitch | ANSI 60-1 · 19,05 mm (3/4") pitch

| Pitch |                  | Number of teeth | Outside diameter<br>OD | Type  | Dimensions<br>Bore stock | Bore   |       | Hub    |       | Plate thickness<br>t <sub>1</sub> | Mass<br>kg | Designation  |
|-------|------------------|-----------------|------------------------|-------|--------------------------|--------|-------|--------|-------|-----------------------------------|------------|--------------|
| mm    | in.              |                 |                        |       |                          | Min.   | Max.  | H      | L     |                                   |            |              |
| 15,88 | 5/8              | 49              | 256,79                 | B     | –                        | 25,40  | 63,50 | 95,25  | 31,75 | 8,710                             | 4,18       | PHS 50-1B49  |
|       |                  |                 |                        | A     | 23,81                    | –      | –     | –      | –     | 8,710                             | 3,22       | PHS 50-1A50  |
|       |                  | 50              | 261,87<br>261,87       | B     | –                        | 25,40  | 63,50 | 95,25  | 31,75 | 8,710                             | 4,48       | PHS 50-1B50  |
|       |                  |                 |                        | A     | 23,81                    | –      | –     | –      | –     | 8,710                             | 3,32       | PHS 50-1A51  |
|       |                  | 51              | 266,95<br>266,95       | B     | –                        | 25,40  | 63,50 | 95,25  | 31,75 | 8,710                             | 4,40       | PHS 50-1B51  |
|       |                  |                 |                        | A     | 23,81                    | –      | –     | –      | –     | 8,710                             | 3,32       | PHS 50-1A51  |
|       |                  | 52              | 272,03<br>272,03       | B     | –                        | 25,40  | 63,50 | 95,25  | 31,75 | 8,710                             | 4,64       | PHS 50-1B52  |
|       |                  |                 |                        | A     | 23,81                    | –      | –     | –      | –     | 8,710                             | 3,62       | PHS 50-1A52  |
|       |                  | 53              | 277,11<br>277,11       | B     | –                        | 25,40  | 63,50 | 95,25  | 31,75 | 8,710                             | 4,75       | PHS 50-1B53  |
|       |                  |                 |                        | A     | 23,81                    | –      | –     | –      | –     | 8,710                             | 3,67       | PHS 50-1A53  |
|       |                  | 54              | 282,19<br>282,19       | B     | –                        | 25,40  | 63,50 | 95,25  | 31,75 | 8,710                             | 4,99       | PHS 50-1B54  |
|       |                  |                 |                        | A     | 23,81                    | –      | –     | –      | –     | 8,710                             | 3,76       | PHS 50-1A54  |
|       |                  | 55              | 287,27<br>287,27       | B     | –                        | 25,40  | 63,50 | 95,25  | 31,75 | 8,710                             | 4,96       | PHS 50-1B55  |
|       |                  |                 |                        | A     | 23,81                    | –      | –     | –      | –     | 8,710                             | 3,88       | PHS 50-1A55  |
|       |                  | 56              | 292,10<br>292,10       | B     | –                        | 25,40  | 63,50 | 95,25  | 31,75 | 8,710                             | 5,22       | PHS 50-1B56  |
|       |                  |                 |                        | A     | 23,81                    | –      | –     | –      | –     | 8,710                             | 4,04       | PHS 50-1A56  |
|       |                  | 57              | 297,18<br>297,18       | B     | –                        | 25,40  | 63,50 | 95,25  | 31,75 | 8,710                             | 5,44       | PHS 50-1B57  |
|       |                  |                 |                        | A     | 23,81                    | –      | –     | –      | –     | 8,710                             | 4,25       | PHS 50-1A57  |
|       |                  | 58              | 302,26<br>302,26       | B     | –                        | 25,40  | 63,50 | 95,25  | 31,75 | 8,710                             | 5,36       | PHS 50-1B58  |
|       |                  |                 |                        | A     | 23,81                    | –      | –     | –      | –     | 8,710                             | 4,67       | PHS 50-1A58  |
|       |                  | 59              | 307,34<br>307,34       | B     | –                        | 25,40  | 63,50 | 95,25  | 31,75 | 8,710                             | 5,59       | PHS 50-1B59  |
|       |                  |                 |                        | A     | 23,81                    | –      | –     | –      | –     | 8,710                             | 4,76       | PHS 50-1A59  |
|       |                  | 60              | 312,42<br>312,42       | B     | –                        | 25,40  | 63,50 | 95,25  | 31,75 | 8,710                             | 5,90       | PHS 50-1B60  |
|       |                  |                 |                        | A     | 23,81                    | –      | –     | –      | –     | 8,710                             | 4,90       | PHS 50-1A60  |
| 70    | 362,97<br>362,97 | B               | –                      | 25,40 | 63,50                    | 95,25  | 44,45 | 8,710  | 8,24  | PHS 50-1B70                       |            |              |
|       |                  | A               | 23,81                  | –     | –                        | –      | –     | 8,710  | 6,35  | PHS 50-1A70                       |            |              |
| 72    | 373,13<br>373,13 | B               | –                      | 25,40 | 63,50                    | 95,25  | 44,45 | 8,710  | 8,84  | PHS 50-1B72                       |            |              |
|       |                  | A               | 23,81                  | –     | –                        | –      | –     | 8,710  | 6,91  | PHS 50-1A72                       |            |              |
| 76    | 393,45<br>393,45 | B               | –                      | 25,40 | 63,50                    | 95,25  | 44,45 | 8,710  | 9,53  | PHS 50-1B76                       |            |              |
|       |                  | A               | 23,81                  | –     | –                        | –      | –     | 8,710  | 9,11  | PHS 50-1A76                       |            |              |
| 80    | 413,51<br>413,51 | B               | –                      | 25,40 | 69,85                    | 107,95 | 44,45 | 8,710  | 11,22 | PHS 50-1B80                       |            |              |
|       |                  | A               | 23,81                  | –     | –                        | –      | –     | 8,710  | 9,53  | PHS 50-1A80                       |            |              |
| 84    | 433,83<br>433,83 | B               | –                      | 25,40 | 69,85                    | 107,95 | 44,45 | 8,710  | 11,57 | PHS 50-1B84                       |            |              |
|       |                  | A               | 23,81                  | –     | –                        | –      | –     | 8,710  | 10,02 | PHS 50-1A84                       |            |              |
| 95    | 489,46<br>489,46 | B               | –                      | 25,40 | 69,85                    | 107,95 | 44,45 | 8,710  | 14,51 | PHS 50-1B95                       |            |              |
|       |                  | A               | 23,81                  | –     | –                        | –      | –     | 8,710  | 12,25 | PHS 50-1A95                       |            |              |
| 96    | 494,54<br>494,54 | B               | –                      | 25,40 | 69,85                    | 107,95 | 44,45 | 8,710  | 14,93 | PHS 50-1B96                       |            |              |
|       |                  | A               | 23,81                  | –     | –                        | –      | –     | 8,710  | 12,43 | PHS 50-1A96                       |            |              |
| 112   | 575,31<br>575,31 | B               | –                      | 25,40 | 69,85                    | 107,95 | 44,45 | 8,710  | 19,05 | PHS 50-1B112                      |            |              |
|       |                  | A               | 23,81                  | –     | –                        | –      | –     | 8,710  | 17,10 | PHS 50-1A112                      |            |              |
| 19,05 | 3/4              | 8               | 57,40                  | B     | –                        | 15,88  | 15,88 | 37,31  | 31,75 | 11,660                            | 0,24       | PHS 60-1BH8  |
|       |                  |                 |                        | A     | –                        | –      | –     | –      | –     | –                                 | –          | –            |
|       |                  | 9               | 63,75                  | B     | –                        | 19,05  | 22,23 | 39,69  | 31,75 | 11,660                            | 0,29       | PHS 60-1BH9  |
|       |                  |                 |                        | A     | 19,05                    | –      | –     | –      | –     | 11,660                            | 0,20       | PHS 60-1A10  |
|       |                  | 10              | 70,10<br>70,10         | B     | –                        | 19,05  | 28,58 | 49,21  | 31,75 | 11,660                            | 0,45       | PHS 60-1BH10 |
|       |                  |                 |                        | A     | 19,05                    | –      | –     | –      | –     | 11,660                            | 0,24       | PHS 60-1A11  |
|       |                  | 11              | 76,20<br>76,20         | B     | –                        | 19,05  | 33,34 | 52,39  | 31,75 | 11,660                            | 0,53       | PHS 60-1BH11 |
|       |                  |                 |                        | A     | 19,05                    | –      | –     | –      | –     | 11,660                            | 0,24       | PHS 60-1A11  |
|       |                  | 12              | 82,55<br>82,55         | B     | –                        | 19,05  | 34,93 | 60,33  | 31,75 | 11,660                            | 0,67       | PHS 60-1BH12 |
|       |                  |                 |                        | A     | 19,05                    | –      | –     | –      | –     | 11,660                            | 0,31       | PHS 60-1A12  |
|       |                  | 13              | 88,65<br>88,65         | B     | –                        | 19,05  | 38,10 | 59,53  | 31,75 | 11,660                            | 0,75       | PHS 60-1BH13 |
|       |                  |                 |                        | A     | 19,05                    | –      | –     | –      | –     | 11,660                            | 0,36       | PHS 60-1A13  |
|       |                  | 14              | 95,00<br>95,00         | B     | –                        | 19,05  | 44,45 | 65,09  | 31,75 | 11,660                            | 0,91       | PHS 60-1BH14 |
|       |                  |                 |                        | A     | 19,05                    | –      | –     | –      | –     | 11,660                            | 0,43       | PHS 60-1A14  |
|       |                  | 15              | 101,09<br>101,09       | B     | –                        | 19,05  | 47,63 | 73,03  | 31,75 | 11,660                            | 1,14       | PHS 60-1BH15 |
|       |                  |                 |                        | A     | 19,05                    | –      | –     | –      | –     | 11,660                            | 0,49       | PHS 60-1A15  |
|       |                  | 16              | 107,19<br>107,19       | B     | –                        | 19,05  | 50,80 | 77,79  | 31,75 | 11,660                            | 1,27       | PHS 60-1BH16 |
|       |                  |                 |                        | A     | 19,05                    | –      | –     | –      | –     | 11,660                            | 0,56       | PHS 60-1A16  |
| 17    | 113,28<br>113,28 | B               | –                      | 19,05 | 57,15                    | 82,55  | 31,75 | 11,660 | 1,46  | PHS 60-1BH17                      |            |              |
|       |                  | A               | 19,05                  | –     | –                        | –      | –     | 11,660 | 0,65  | PHS 60-1A17                       |            |              |
| 18    | 119,38           | B               | –                      | –     | –                        | –      | –     | 11,660 | –     | –                                 |            |              |
|       |                  | A               | 19,05                  | –     | –                        | –      | –     | 11,660 | 0,73  | PHS 60-1A18                       |            |              |

Maximum bores can accommodate standard keyways. Larger bores are available where a shallow keyway is used or no keyway is required. All Type B or C sprockets, up to and including 25 tooth, are with hardened teeth as standard. For any additional size sprockets with hardened teeth, add "H" before the number of teeth, e.g. PHS 25-1BH9.

# ANSI sprockets, simplex, pilot bore

ANSI 60-1 · 19,05 mm (3/4") pitch



| Pitch | Number of teeth | Outside diameter | Type  | Dimensions |        | Hub   | Plate thickness | Mass  | Designation |      |                             |
|-------|-----------------|------------------|-------|------------|--------|-------|-----------------|-------|-------------|------|-----------------------------|
|       |                 |                  |       | Bore stock | Bore   |       |                 |       |             |      |                             |
| mm    | in.             | mm               |       | mm         | Min.   | Max.  | t <sub>1</sub>  | kg    |             |      |                             |
| 19,05 | 3/4             | 18               | A     | –          | 19,05  | 60,33 | 88,90           | 31,75 | 11,660      | 1,69 | PHS 60-1BH18                |
|       |                 |                  | B     | –          | 19,05  | 60,33 | 88,90           | 31,75 | 11,660      | 1,78 | PHS 60-1A19<br>PHS 60-1BH19 |
|       |                 | 19               | A     | 19,05      | –      | –     | –               | –     | 11,660      | 0,83 | PHS 60-1A19                 |
|       |                 |                  | B     | –          | 19,05  | 60,33 | 88,90           | 31,75 | 11,660      | 1,78 | PHS 60-1BH19                |
|       |                 | 20               | A     | 19,05      | –      | –     | –               | –     | 11,660      | 0,96 | PHS 60-1A20                 |
|       |                 |                  | B     | –          | 19,05  | 66,68 | 98,43           | 31,75 | 11,660      | 2,10 | PHS 60-1BH20                |
|       |                 | 21               | A     | 19,05      | –      | –     | –               | –     | 11,660      | 1,03 | PHS 60-1A21                 |
|       |                 |                  | B     | –          | 19,05  | 69,85 | 101,60          | 31,75 | 11,660      | 2,27 | PHS 60-1BH21                |
|       |                 | 22               | A     | 19,05      | –      | –     | –               | –     | 11,660      | 1,12 | PHS 60-1A22                 |
|       |                 |                  | B     | –          | 19,05  | 69,85 | 101,60          | 31,75 | 11,660      | 2,38 | PHS 60-1BH22                |
|       |                 | 23               | A     | 19,05      | –      | –     | –               | –     | 11,660      | 1,22 | PHS 60-1A23                 |
|       |                 |                  | B     | –          | 19,05  | 69,85 | 101,60          | 31,75 | 11,660      | 2,49 | PHS 60-1BH23                |
|       |                 | 24               | A     | 18,26      | –      | –     | –               | –     | 11,660      | 1,36 | PHS 60-1A24                 |
|       |                 |                  | B     | –          | 19,05  | 69,85 | 101,60          | 31,75 | 11,660      | 2,62 | PHS 60-1BH24                |
|       |                 | 25               | A     | 18,26      | –      | –     | –               | –     | 11,660      | 1,51 | PHS 60-1A25                 |
|       |                 |                  | B     | –          | 19,05  | 69,85 | 101,60          | 31,75 | 11,660      | 2,78 | PHS 60-1BH25                |
|       |                 | 26               | A     | 18,26      | –      | –     | –               | –     | 11,660      | 1,61 | PHS 60-1A26                 |
|       |                 |                  | B     | –          | 19,05  | 69,85 | 101,60          | 31,75 | 11,660      | 2,89 | PHS 60-1B26                 |
|       |                 | 27               | A     | 18,26      | –      | –     | –               | –     | 11,660      | 1,80 | PHS 60-1A27                 |
|       |                 |                  | B     | –          | 19,05  | 69,85 | 101,60          | 31,75 | 11,660      | 3,05 | PHS 60-1B27                 |
|       |                 | 28               | A     | 18,26      | –      | –     | –               | –     | 11,660      | 1,88 | PHS 60-1A28                 |
|       |                 |                  | B     | –          | 19,05  | 69,85 | 101,60          | 31,75 | 11,660      | 3,12 | PHS 60-1B28                 |
|       |                 | 29               | A     | 18,26      | –      | –     | –               | –     | 11,660      | 2,00 | PHS 60-1A29                 |
|       |                 |                  | B     | –          | 19,05  | 69,85 | 101,60          | 31,75 | 11,660      | 3,30 | PHS 60-1B29                 |
|       |                 | 30               | A     | 18,26      | –      | –     | –               | –     | 11,660      | 2,17 | PHS 60-1A30                 |
|       |                 |                  | B     | –          | 19,05  | 69,85 | 101,60          | 31,75 | 11,660      | 3,44 | PHS 60-1B30                 |
|       |                 | 31               | A     | 18,26      | –      | –     | –               | –     | 11,660      | 2,38 | PHS 60-1A31                 |
|       |                 |                  | B     | –          | 19,05  | 69,85 | 101,60          | 31,75 | 11,660      | 3,50 | PHS 60-1B31                 |
|       |                 | 32               | A     | 18,26      | –      | –     | –               | –     | 11,660      | 2,50 | PHS 60-1A32                 |
|       |                 |                  | B     | –          | 19,05  | 69,85 | 101,60          | 31,75 | 11,660      | 3,75 | PHS 60-1B32                 |
|       |                 | 33               | A     | 23,81      | –      | –     | –               | –     | 11,660      | 2,66 | PHS 60-1A33                 |
|       |                 |                  | B     | –          | 25,40  | 69,85 | 101,60          | 31,75 | 11,660      | 3,82 | PHS 60-1B33                 |
|       |                 | 34               | A     | 23,81      | –      | –     | –               | –     | 11,660      | 2,79 | PHS 60-1A34                 |
|       |                 |                  | B     | –          | 25,40  | 69,85 | 101,60          | 31,75 | 11,660      | 3,99 | PHS 60-1B34                 |
|       |                 | 35               | A     | 23,81      | –      | –     | –               | –     | 11,660      | 3,08 | PHS 60-1A35                 |
|       |                 |                  | B     | –          | 25,40  | 69,85 | 101,60          | 31,75 | 11,660      | 4,10 | PHS 60-1B35                 |
|       |                 | 36               | A     | 23,81      | –      | –     | –               | –     | 11,660      | 3,09 | PHS 60-1A36                 |
|       |                 |                  | B     | –          | 25,40  | 69,85 | 101,60          | 31,75 | 11,660      | 4,35 | PHS 60-1B36                 |
|       |                 | 37               | A     | 23,81      | –      | –     | –               | –     | 11,660      | 3,41 | PHS 60-1A37                 |
| B     | –               |                  | 25,40 | 69,85      | 101,60 | 31,75 | 11,660          | 4,64  | PHS 60-1B37 |      |                             |
| 38    | A               | 23,81            | –     | –          | –      | –     | 11,660          | 3,56  | PHS 60-1A38 |      |                             |
|       | B               | –                | 25,40 | 69,85      | 107,95 | 31,75 | 11,660          | 4,92  | PHS 60-1B38 |      |                             |
| 39    | A               | 23,81            | –     | –          | –      | –     | 11,660          | 3,76  | PHS 60-1A39 |      |                             |
|       | B               | –                | 25,40 | 69,85      | 107,95 | 31,75 | 11,660          | 5,15  | PHS 60-1B39 |      |                             |

Maximum bores can accommodate standard keyways. Larger bores are available where a shallow keyway is used or no keyway is required. All Type B or C sprockets, up to and including 25 tooth, are with hardened teeth as standard. For any additional size sprockets with hardened teeth, add "H" before the number of teeth, e.g. PHS 25-1BH9.

# ANSI sprockets, simplex, pilot bore

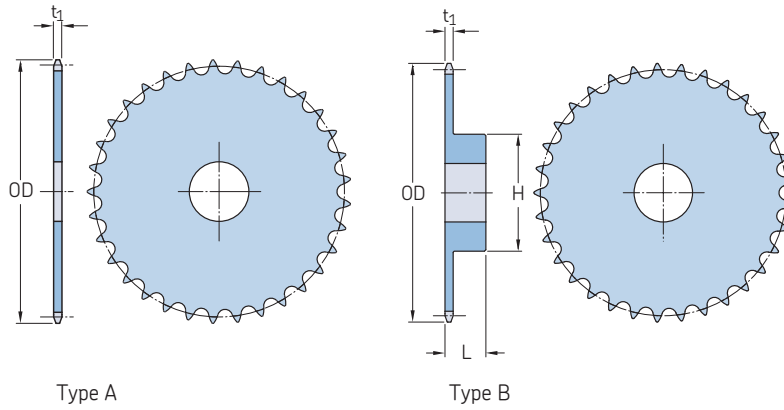
ANSI 60-1 · 19,05 mm (3/4") pitch

| Pitch |        | Number of teeth | Outside diameter<br>OD | Type  | Dimensions |        | Hub   |        | Plate thickness<br>t <sub>1</sub> | Mass<br>kg  | Designation |             |             |
|-------|--------|-----------------|------------------------|-------|------------|--------|-------|--------|-----------------------------------|-------------|-------------|-------------|-------------|
| mm    | in.    |                 |                        |       | Bore stock | Bore   | H     | L      |                                   |             |             |             |             |
|       |        |                 |                        |       |            | Min.   | Max.  |        |                                   |             |             |             |             |
| 19,05 | 3/4    | 40              | 253,49                 | A     | 23,81      | –      | –     | –      | –                                 | 11,660      | 3,88        | PHS 60-1A40 |             |
|       |        |                 | 253,49                 | B     | –          | 25,40  | 69,85 | 107,95 | 31,75                             | 11,660      | 5,22        | PHS 60-1B40 |             |
|       |        | 41              | 259,59                 | A     | 23,81      | –      | –     | –      | –                                 | –           | 11,660      | 4,13        | PHS 60-1A41 |
|       |        |                 | 259,59                 | B     | –          | 25,40  | 69,85 | 107,95 | 31,75                             | 11,660      | 5,51        | PHS 60-1B41 |             |
|       |        | 42              | 265,68                 | A     | 23,81      | –      | –     | –      | –                                 | –           | 11,660      | 4,46        | PHS 60-1A42 |
|       |        |                 | 265,68                 | B     | –          | 25,40  | 69,85 | 107,95 | 31,75                             | 11,660      | 5,78        | PHS 60-1B42 |             |
|       |        | 43              | 271,78                 | A     | 23,81      | –      | –     | –      | –                                 | –           | 11,660      | 4,42        | PHS 60-1A43 |
|       |        |                 | 271,78                 | B     | –          | 25,40  | 69,85 | 107,95 | 31,75                             | 11,660      | 5,90        | PHS 60-1B43 |             |
|       |        | 44              | 277,88                 | A     | 23,81      | –      | –     | –      | –                                 | –           | 11,660      | 4,88        | PHS 60-1A44 |
|       |        |                 | 277,88                 | B     | –          | 23,81  | 69,85 | 107,95 | 31,75                             | 11,660      | 6,30        | PHS 60-1B44 |             |
|       |        | 45              | 283,97                 | A     | 23,81      | –      | –     | –      | –                                 | –           | 11,660      | 5,03        | PHS 60-1A45 |
|       |        |                 | 283,97                 | B     | –          | 23,81  | 69,85 | 107,95 | 31,75                             | 11,660      | 6,34        | PHS 60-1B45 |             |
|       |        | 46              | 290,07                 | A     | 23,81      | –      | –     | –      | –                                 | –           | 11,660      | 5,22        | PHS 60-1A46 |
|       |        |                 | 290,07                 | B     | –          | 23,81  | 69,85 | 107,95 | 31,75                             | 11,660      | 6,62        | PHS 60-1B46 |             |
|       |        | 47              | 295,91                 | A     | 23,81      | –      | –     | –      | –                                 | –           | 11,660      | 5,59        | PHS 60-1A47 |
|       |        |                 | 295,91                 | B     | –          | 23,81  | 69,85 | 107,95 | 31,75                             | 11,660      | 6,80        | PHS 60-1B47 |             |
|       |        | 48              | 302,01                 | A     | 23,81      | –      | –     | –      | –                                 | –           | 11,660      | 5,63        | PHS 60-1A48 |
|       |        |                 | 302,01                 | B     | –          | 23,81  | 69,85 | 107,95 | 31,75                             | 11,660      | 7,18        | PHS 60-1B48 |             |
|       |        | 49              | 308,10                 | A     | 23,81      | –      | –     | –      | –                                 | –           | 11,660      | 5,86        | PHS 60-1A49 |
|       |        |                 | 308,10                 | B     | –          | 23,81  | 69,85 | 107,95 | 31,75                             | 11,660      | 7,21        | PHS 60-1B49 |             |
|       |        | 50              | 314,20                 | A     | 23,81      | –      | –     | –      | –                                 | –           | 11,660      | 6,34        | PHS 60-1A50 |
|       |        |                 | 314,20                 | B     | –          | 23,81  | 69,85 | 107,95 | 31,75                             | 11,660      | 8,01        | PHS 60-1B50 |             |
|       |        | 51              | 320,29                 | A     | 23,81      | –      | –     | –      | –                                 | –           | 11,660      | 6,61        | PHS 60-1A51 |
|       |        |                 | 320,29                 | B     | –          | 23,81  | 69,85 | 107,95 | 31,75                             | 11,660      | 7,70        | PHS 60-1B51 |             |
|       |        | 52              | 326,39                 | A     | 23,81      | –      | –     | –      | –                                 | –           | 11,660      | 6,62        | PHS 60-1A52 |
|       |        |                 | 326,39                 | B     | –          | 23,81  | 69,85 | 107,95 | 31,75                             | 11,660      | 8,13        | PHS 60-1B52 |             |
|       |        | 53              | 332,49                 | A     | 23,81      | –      | –     | –      | –                                 | –           | 11,660      | 7,18        | PHS 60-1A53 |
|       |        |                 | 332,49                 | B     | –          | 23,81  | 69,85 | 107,95 | 31,75                             | 11,660      | 8,16        | PHS 60-1B53 |             |
|       |        | 54              | 338,58                 | A     | 23,81      | –      | –     | –      | –                                 | –           | 11,660      | 7,22        | PHS 60-1A54 |
|       |        |                 | 338,58                 | B     | –          | 23,81  | 69,85 | 107,95 | 44,45                             | 11,660      | 9,80        | PHS 60-1B54 |             |
|       |        | 55              | 344,68                 | A     | 31,75      | –      | –     | –      | –                                 | –           | 11,660      | 7,69        | PHS 60-1A55 |
|       |        |                 | 344,68                 | B     | –          | 31,75  | 69,85 | 107,95 | 44,45                             | 11,660      | 9,59        | PHS 60-1B55 |             |
|       |        | 56              | 350,77                 | A     | 31,75      | –      | –     | –      | –                                 | –           | 11,660      | 7,98        | PHS 60-1A56 |
|       |        |                 | 350,77                 | B     | –          | 31,75  | 69,85 | 107,95 | 44,45                             | 11,660      | 9,92        | PHS 60-1B56 |             |
|       |        | 57              | 356,62                 | A     | 31,75      | –      | –     | –      | –                                 | –           | 11,660      | 7,99        | PHS 60-1A57 |
|       |        |                 | 356,62                 | B     | –          | 31,75  | 69,85 | 107,95 | 44,45                             | 11,660      | 10,10       | PHS 60-1B57 |             |
|       |        | 58              | 362,71                 | A     | 31,75      | –      | –     | –      | –                                 | –           | 11,660      | 8,62        | PHS 60-1A58 |
|       |        |                 | 362,71                 | B     | –          | 31,75  | 69,85 | 107,95 | 44,45                             | 11,660      | 10,34       | PHS 60-1B58 |             |
|       |        | 59              | 368,81                 | A     | 31,75      | –      | –     | –      | –                                 | –           | 11,660      | 8,71        | PHS 60-1A59 |
|       |        |                 | 368,81                 | B     | –          | 31,75  | 69,85 | 107,95 | 44,45                             | 11,660      | 10,82       | PHS 60-1B59 |             |
| 60    | 374,90 | A               | 31,75                  | –     | –          | –      | –     | –      | 11,660                            | 9,08        | PHS 60-1A60 |             |             |
|       | 374,90 | B               | –                      | 31,75 | 69,85      | 107,95 | 44,45 | 11,660 | 11,44                             | PHS 60-1B60 |             |             |             |
| 64    | 399,29 | A               | 31,75                  | –     | –          | –      | –     | –      | 11,660                            | 10,43       | PHS 60-1A64 |             |             |
|       | 399,29 | B               | –                      | 31,75 | 69,85      | 107,95 | 44,45 | 11,660 | 12,43                             | PHS 60-1B64 |             |             |             |
| 65    | 405,38 | A               | 31,75                  | –     | –          | –      | –     | –      | 11,660                            | 10,54       | PHS 60-1A65 |             |             |
|       | 405,38 | B               | –                      | 31,75 | 69,85      | 107,95 | 44,45 | 11,660 | 13,12                             | PHS 60-1B65 |             |             |             |
| 66    | –      | A               | 31,75                  | –     | –          | –      | –     | –      | 11,660                            | 11,08       | PHS 60-1A66 |             |             |
| 68    | 423,42 | A               | 31,75                  | –     | –          | –      | –     | –      | 11,660                            | 11,58       | PHS 60-1A68 |             |             |
|       | 423,42 | B               | –                      | 31,75 | 69,85      | 107,95 | 44,45 | 11,660 | 13,78                             | PHS 60-1B68 |             |             |             |
| 70    | 435,61 | A               | 31,75                  | –     | –          | –      | –     | –      | 11,660                            | 12,34       | PHS 60-1A70 |             |             |
|       | 435,61 | B               | –                      | 31,75 | 69,85      | 107,95 | 44,45 | 11,660 | 14,51                             | PHS 60-1B70 |             |             |             |
| 72    | 447,80 | A               | 31,75                  | –     | –          | –      | –     | –      | 11,660                            | 13,11       | PHS 60-1A72 |             |             |
|       | 447,80 | B               | –                      | 31,75 | 69,85      | 107,95 | 50,80 | 11,660 | 15,50                             | PHS 60-1B72 |             |             |             |
| 76    | 471,93 | A               | 31,75                  | –     | –          | –      | –     | –      | 11,660                            | 14,67       | PHS 60-1A76 |             |             |
|       | 471,93 | B               | –                      | 31,75 | 69,85      | 107,95 | 50,80 | 11,660 | 17,26                             | PHS 60-1B76 |             |             |             |
| 80    | 496,32 | A               | 31,75                  | –     | –          | –      | –     | –      | 11,660                            | 20,64       | PHS 60-1A80 |             |             |
|       | 496,32 | B               | –                      | 31,75 | 69,85      | 107,95 | 50,80 | 11,660 | 19,00                             | PHS 60-1B80 |             |             |             |
| 84    | 520,45 | A               | 31,75                  | –     | –          | –      | –     | –      | 11,660                            | 18,23       | PHS 60-1A84 |             |             |
|       | 520,45 | B               | –                      | 31,75 | 82,55      | 120,65 | 50,80 | 11,660 | 21,07                             | PHS 60-1B84 |             |             |             |

Maximum bores can accommodate standard keyways. Larger bores are available where a shallow keyway is used or no keyway is required. All Type B or C sprockets, up to and including 25 tooth, are with hardened teeth as standard. For any additional size sprockets with hardened teeth, add "H" before the number of teeth, e.g. PHS 25-1BH9.

# ANSI sprockets, simplex, pilot bore

ANSI 60-1 · 19,05 mm (3/4") pitch | ANSI 80-1 · 25,40 mm (1") pitch



| Pitch | Number of teeth | Outside diameter | Type  | Dimensions |        | Hub    | Plate thickness | Mass         | Designation  |
|-------|-----------------|------------------|-------|------------|--------|--------|-----------------|--------------|--------------|
|       |                 |                  |       | Bore stock | Bore   |        |                 |              |              |
|       |                 | OD               |       | Min.       | Max.   | H      | t <sub>1</sub>  |              |              |
| mm    | in.             | mm               |       | mm         |        |        |                 | kg           |              |
| 19,05 | 3/4             | 90               | A     | 31,75      | -      | -      | 11,660          | 19,70        | PHS 60-1A90  |
|       |                 |                  | B     | -          | 31,75  | 84,14  | 11,660          | 28,67        | PHS 60-1B90  |
|       | 96              | A                | 31,75 | -          | -      | 11,660 | 23,60           | PHS 60-1A96  |              |
|       |                 | B                | -     | 31,75      | 95,25  | 11,660 | 28,61           | PHS 60-1B96  |              |
|       | 112             | A                | 31,75 | -          | -      | 11,660 | 32,11           | PHS 60-1A112 |              |
|       |                 | B                | -     | 31,75      | 95,25  | 11,660 | 37,09           | PHS 60-1B112 |              |
| 25,40 | 1               | 8                | B     | -          | 25,40  | 25,40  | 14,600          | 0,64         | PHS 80-1BH8  |
|       |                 |                  | A     | 23,81      | -      | -      | 14,600          | 0,36         | PHS 80-1A9   |
|       |                 | 9                | A     | 23,81      | -      | -      | 14,600          | 0,73         | PHS 80-1A9   |
|       |                 |                  | B     | -          | 25,40  | 33,34  | 14,600          | 0,73         | PHS 80-1BH9  |
|       |                 | 10               | A     | 23,81      | -      | -      | 14,600          | 0,45         | PHS 80-1A10  |
|       |                 |                  | B     | -          | 25,40  | 38,10  | 14,600          | 1,00         | PHS 80-1BH10 |
|       |                 | 11               | A     | 23,81      | -      | -      | 14,600          | 0,59         | PHS 80-1A11  |
|       |                 |                  | B     | -          | 25,40  | 41,28  | 14,600          | 1,45         | PHS 80-1BH11 |
|       |                 | 12               | A     | 23,81      | -      | -      | 14,600          | 0,68         | PHS 80-1A12  |
|       |                 |                  | B     | -          | 25,40  | 47,63  | 14,600          | 1,54         | PHS 80-1BH12 |
|       |                 | 13               | A     | 23,81      | -      | -      | 14,600          | 0,82         | PHS 80-1A13  |
|       |                 |                  | B     | -          | 25,40  | 50,80  | 14,600          | 1,59         | PHS 80-1BH13 |
|       |                 | 14               | A     | 23,81      | -      | -      | 14,600          | 1,00         | PHS 80-1A14  |
|       |                 |                  | B     | -          | 25,40  | 57,15  | 14,600          | 1,86         | PHS 80-1BH14 |
|       |                 | 15               | A     | 23,81      | -      | -      | 14,600          | 1,13         | PHS 80-1A15  |
|       |                 |                  | B     | -          | 25,40  | 63,50  | 14,600          | 2,40         | PHS 80-1BH15 |
|       |                 | 16               | A     | 23,81      | -      | -      | 14,600          | 1,32         | PHS 80-1A16  |
|       |                 |                  | B     | -          | 25,40  | 69,85  | 14,600          | 2,68         | PHS 80-1BH16 |
|       |                 | 17               | A     | 23,81      | -      | -      | 14,600          | 1,50         | PHS 80-1A17  |
|       |                 |                  | B     | -          | 25,40  | 69,85  | 14,600          | 2,99         | PHS 80-1BH17 |
|       |                 | 18               | A     | 23,81      | -      | -      | 14,600          | 1,68         | PHS 80-1A18  |
|       |                 |                  | B     | -          | 25,40  | 69,85  | 14,600          | 3,31         | PHS 80-1BH18 |
|       |                 | 19               | A     | 23,81      | -      | -      | 14,600          | 1,86         | PHS 80-1A19  |
|       |                 |                  | B     | -          | 25,40  | 69,85  | 14,600          | 3,54         | PHS 80-1BH19 |
|       |                 | 20               | A     | 23,81      | -      | -      | 14,600          | 2,13         | PHS 80-1A20  |
|       |                 |                  | B     | -          | 25,40  | 69,85  | 14,600          | 3,81         | PHS 80-1BH20 |
| 21    | A               | 23,81            | -     | -          | 14,600 | 2,22   | PHS 80-1A21     |              |              |
|       | B               | -                | 25,40 | 69,85      | 14,600 | 4,26   | PHS 80-1BH21    |              |              |
| 22    | A               | 23,81            | -     | -          | 14,600 | 2,49   | PHS 80-1A22     |              |              |
|       | B               | -                | 25,40 | 69,85      | 14,600 | 4,54   | PHS 80-1BH22    |              |              |
| 23    | A               | 23,81            | -     | -          | 14,600 | 2,86   | PHS 80-1A23     |              |              |
|       | B               | -                | 25,40 | 69,85      | 14,600 | 4,85   | PHS 80-1BH23    |              |              |
| 24    | A               | 23,81            | -     | -          | 14,600 | 3,04   | PHS 80-1A24     |              |              |
|       | B               | -                | 25,40 | 69,85      | 14,600 | 5,13   | PHS 80-1BH24    |              |              |
| 25    | A               | 23,81            | -     | -          | 14,600 | 3,27   | PHS 80-1A25     |              |              |
|       | B               | -                | 25,40 | 69,85      | 14,600 | 5,40   | PHS 80-1BH25    |              |              |
| 26    | A               | 30,16            | -     | -          | 14,600 | 3,54   | PHS 80-1A26     |              |              |
|       | B               | -                | 31,75 | 82,55      | 14,600 | 6,49   | PHS 80-1B26     |              |              |

Maximum bores can accommodate standard keyways. Larger bores are available where a shallow keyway is used or no keyway is required. All Type B or C sprockets, up to and including 25 tooth, are with hardened teeth as standard. For any additional size sprockets with hardened teeth, add "H" before the number of teeth, e.g. PHS 25-1BH9.

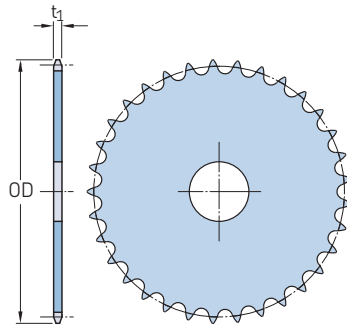
**ANSI sprockets, simplex, pilot bore**  
ANSI 80-1 · 25,40 mm (1") pitch

| Pitch |        | Number of teeth | Outside diameter<br>OD | Type  | Dimensions |        | Hub   |        | Plate thickness<br>t <sub>1</sub> | Mass        | Designation |             |
|-------|--------|-----------------|------------------------|-------|------------|--------|-------|--------|-----------------------------------|-------------|-------------|-------------|
| mm    | in.    |                 |                        |       | Bore stock | Bore   | H     | L      |                                   |             |             |             |
|       |        |                 |                        |       | Min.       | Max.   |       |        |                                   |             |             |             |
| 25,40 | 1      | 27              | 232,66                 | A     | 30,16      | –      | –     | –      | 14,600                            | 3,90        | PHS 80-1A27 |             |
|       |        |                 | 232,66                 | B     | –          | 31,75  | 82,55 | 120,65 | 50,80                             | 14,600      | 6,99        | PHS 80-1B27 |
|       |        | 28              | 240,79                 | A     | 30,16      | –      | –     | –      | –                                 | 14,600      | 4,22        | PHS 80-1A28 |
|       |        |                 | 240,79                 | B     | –          | 31,75  | 82,55 | 120,65 | 50,80                             | 14,600      | 7,26        | PHS 80-1B28 |
|       |        | 29              | 248,92                 | A     | 30,16      | –      | –     | –      | –                                 | 14,600      | 4,45        | PHS 80-1A29 |
|       |        |                 | 248,92                 | B     | –          | 30,16  | 82,55 | 120,65 | 50,80                             | 14,600      | 7,76        | PHS 80-1B29 |
|       |        | 30              | 256,79                 | A     | 30,16      | –      | –     | –      | –                                 | 14,600      | 4,85        | PHS 80-1A30 |
|       |        |                 | 256,79                 | B     | –          | 30,16  | 82,55 | 120,65 | 50,80                             | 14,600      | 7,89        | PHS 80-1B30 |
|       |        | 31              | 264,92                 | A     | 30,16      | –      | –     | –      | –                                 | 14,600      | 5,13        | PHS 80-1A31 |
|       |        |                 | 264,92                 | B     | –          | 30,16  | 82,55 | 120,65 | 50,80                             | 14,600      | 8,48        | PHS 80-1B31 |
|       |        | 32              | 273,05                 | A     | 30,16      | –      | –     | –      | –                                 | 14,600      | 5,49        | PHS 80-1A32 |
|       |        |                 | 273,05                 | B     | –          | 30,16  | 82,55 | 120,65 | 50,80                             | 14,600      | 8,85        | PHS 80-1B32 |
|       |        | 33              | 281,18                 | A     | 30,16      | –      | –     | –      | –                                 | 14,600      | 6,17        | PHS 80-1A33 |
|       |        |                 | 281,18                 | B     | –          | 30,16  | 82,55 | 120,65 | 50,80                             | 14,600      | 8,89        | PHS 80-1B33 |
|       |        | 34              | 289,31                 | A     | 30,16      | –      | –     | –      | –                                 | 14,600      | 6,49        | PHS 80-1A34 |
|       |        |                 | 289,31                 | B     | –          | 30,16  | 82,55 | 120,65 | 50,80                             | 14,600      | 9,66        | PHS 80-1B34 |
|       |        | 35              | 297,43                 | A     | 30,16      | –      | –     | –      | –                                 | 14,600      | 6,71        | PHS 80-1A35 |
|       |        |                 | 297,43                 | B     | –          | 30,16  | 82,55 | 120,65 | 50,80                             | 14,600      | 10,02       | PHS 80-1B35 |
|       |        | 36              | 305,56                 | A     | 30,16      | –      | –     | –      | –                                 | 14,600      | 7,30        | PHS 80-1A36 |
|       |        |                 | 305,56                 | B     | –          | 30,16  | 82,55 | 120,65 | 50,80                             | 14,600      | 10,48       | PHS 80-1B36 |
|       |        | 37              | 313,69                 | A     | 30,16      | –      | –     | –      | –                                 | 14,600      | 7,62        | PHS 80-1A37 |
|       |        |                 | 313,69                 | B     | –          | 30,16  | 82,55 | 120,65 | 50,80                             | 14,600      | 10,80       | PHS 80-1B37 |
|       |        | 38              | 321,82                 | A     | 30,16      | –      | –     | –      | –                                 | 14,600      | 7,80        | PHS 80-1A38 |
|       |        |                 | 321,82                 | B     | –          | 30,16  | 82,55 | 120,65 | 50,80                             | 14,600      | 11,20       | PHS 80-1B38 |
|       |        | 39              | 329,95                 | A     | 30,16      | –      | –     | –      | –                                 | 14,600      | 8,12        | PHS 80-1A39 |
|       |        |                 | 329,95                 | B     | –          | 30,16  | 82,55 | 120,65 | 50,80                             | 14,600      | 11,61       | PHS 80-1B39 |
|       |        | 40              | 338,07                 | A     | 30,16      | –      | –     | –      | –                                 | 14,600      | 8,57        | PHS 80-1A40 |
|       |        |                 | 338,07                 | B     | –          | 30,16  | 82,55 | 120,65 | 50,80                             | 14,600      | 12,11       | PHS 80-1B40 |
|       |        | 41              | 346,20                 | A     | 31,75      | –      | –     | –      | –                                 | 14,600      | 9,53        | PHS 80-1A41 |
|       |        |                 | 346,20                 | B     | –          | 31,75  | 82,55 | 120,65 | 50,80                             | 14,600      | 12,61       | PHS 80-1B41 |
|       |        | 42              | 354,08                 | A     | 31,75      | –      | –     | –      | –                                 | 14,600      | 9,89        | PHS 80-1A42 |
|       |        |                 | 354,08                 | B     | –          | 31,75  | 82,55 | 120,65 | 50,80                             | 14,600      | 13,02       | PHS 80-1B42 |
|       |        | 43              | 362,20                 | A     | 31,75      | –      | –     | –      | –                                 | 14,600      | 10,70       | PHS 80-1A43 |
|       |        |                 | 362,20                 | B     | –          | 31,75  | 82,55 | 120,65 | 50,80                             | 14,600      | 13,34       | PHS 80-1B43 |
|       |        | 44              | 370,33                 | A     | 31,75      | –      | –     | –      | –                                 | 14,600      | 11,02       | PHS 80-1A44 |
|       |        |                 | 370,33                 | B     | –          | 31,75  | 82,55 | 120,65 | 50,80                             | 14,600      | 13,56       | PHS 80-1B44 |
|       |        | 45              | 378,46                 | A     | 31,75      | –      | –     | –      | –                                 | 14,600      | 11,43       | PHS 80-1A45 |
|       |        |                 | 378,46                 | B     | –          | 31,75  | 82,55 | 120,65 | 50,80                             | 14,600      | 14,24       | PHS 80-1B45 |
|       |        | 46              | 386,59                 | A     | 31,75      | –      | –     | –      | –                                 | 14,600      | 12,07       | PHS 80-1A46 |
|       |        |                 | 386,59                 | B     | –          | 31,75  | 82,55 | 120,65 | 50,80                             | 14,600      | 15,01       | PHS 80-1B46 |
|       |        | 47              | 394,72                 | A     | 31,75      | –      | –     | –      | –                                 | 14,600      | 11,97       | PHS 80-1A47 |
|       |        |                 | 394,72                 | B     | –          | 31,75  | 82,55 | 120,65 | 50,80                             | 14,600      | 15,42       | PHS 80-1B47 |
|       |        | 48              | 402,84                 | A     | 31,75      | –      | –     | –      | –                                 | 14,600      | 12,61       | PHS 80-1A48 |
|       |        |                 | 402,84                 | B     | –          | 31,75  | 82,55 | 120,65 | 50,80                             | 14,600      | 16,10       | PHS 80-1B48 |
|       |        | 49              | 410,97                 | A     | 31,75      | –      | –     | –      | –                                 | 14,600      | 13,11       | PHS 80-1A49 |
|       |        |                 | 410,97                 | B     | –          | 31,75  | 82,55 | 120,65 | 50,80                             | 14,600      | 16,24       | PHS 80-1B49 |
|       |        | 50              | 419,10                 | A     | 31,75      | –      | –     | –      | –                                 | 14,600      | 14,02       | PHS 80-1A50 |
|       |        |                 | 419,10                 | B     | –          | 31,75  | 82,55 | 120,65 | 50,80                             | 14,600      | 16,92       | PHS 80-1B50 |
|       |        | 51              | 426,97                 | A     | 31,75      | –      | –     | –      | –                                 | 14,600      | 14,61       | PHS 80-1A51 |
|       |        |                 | 426,97                 | B     | –          | 31,75  | 82,55 | 120,65 | 50,80                             | 14,600      | 17,51       | PHS 80-1B51 |
|       |        | 52              | 435,10                 | A     | 31,75      | –      | –     | –      | –                                 | 14,600      | 14,97       | PHS 80-1A52 |
|       |        |                 | 435,10                 | B     | –          | 31,75  | 82,55 | 120,65 | 50,80                             | 14,600      | 17,87       | PHS 80-1B52 |
|       |        | 53              | 443,23                 | A     | 31,75      | –      | –     | –      | –                                 | 14,600      | 15,83       | PHS 80-1A53 |
|       |        |                 | 443,23                 | B     | –          | 31,75  | 82,55 | 120,65 | 50,80                             | 14,600      | 18,73       | PHS 80-1B53 |
|       |        | 54              | 451,36                 | A     | 31,75      | –      | –     | –      | –                                 | 14,600      | 16,60       | PHS 80-1A54 |
|       |        |                 | 451,36                 | B     | –          | 31,75  | 88,90 | 133,35 | 50,80                             | 14,600      | 20,28       | PHS 80-1B54 |
| 55    | 459,49 | A               | 31,75                  | –     | –          | –      | –     | 14,600 | 17,01                             | PHS 80-1A55 |             |             |
|       | 459,49 | B               | –                      | 31,75 | 88,90      | 133,35 | 50,80 | 14,600 | 20,68                             | PHS 80-1B55 |             |             |
| 56    |        | A               | 31,75                  | –     | –          | –      | –     | 14,600 | 17,87                             | PHS 80-1A56 |             |             |

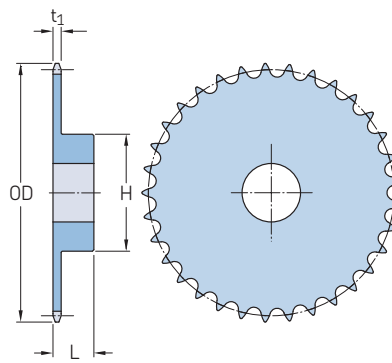
Maximum bores can accommodate standard keyways. Larger bores are available where a shallow keyway is used or no keyway is required. All Type B or C sprockets, up to and including 25 tooth, are with hardened teeth as standard. For any additional size sprockets with hardened teeth, add "H" before the number of teeth, e.g. PHS 25-1BH9.

**ANSI sprockets, simplex, pilot bore**

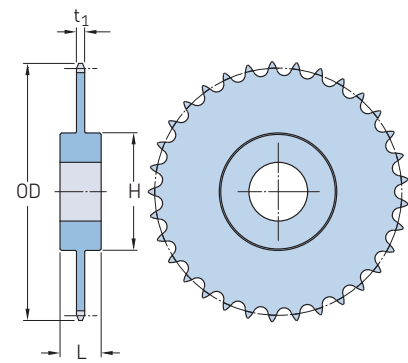
ANSI 80-1 · 25,40 mm (1") pitch | ANSI 100-1 · 31,75 mm (1¼") pitch



Type A



Type B



Type C

| Pitch | Number of teeth | Outside diameter<br>OD | Type   | Dimensions    |                   | Hub<br>H | Hub<br>L | Plate thickness<br>t <sub>1</sub> | Mass   | Designation |               |               |
|-------|-----------------|------------------------|--------|---------------|-------------------|----------|----------|-----------------------------------|--------|-------------|---------------|---------------|
|       |                 |                        |        | Bore<br>stock | Bore<br>Min. Max. |          |          |                                   |        |             |               |               |
| mm    | in.             | mm                     | –      | mm            | mm                | mm       | mm       | mm                                | kg     | –           |               |               |
| 25,40 | 1               | 56                     | 467,61 | B             | –                 | 31,75    | 88,90    | 133,35                            | 50,80  | 14,600      | 21,55         | PHS 80-1B56   |
|       |                 |                        |        | A             | 31,75             | –        | –        | –                                 | –      | 14,600      | 18,33         | PHS 80-1A57   |
|       | 57              | 475,74                 | 475,74 | B             | –                 | 31,75    | 88,90    | 133,35                            | 50,80  | 14,600      | 22,00         | PHS 80-1B57   |
|       |                 |                        |        | A             | 31,75             | –        | –        | –                                 | –      | 14,600      | 18,73         | PHS 80-1A58   |
|       | 58              | 483,62                 | 483,62 | B             | –                 | 31,75    | 88,90    | 133,35                            | 50,80  | 14,600      | 22,91         | PHS 80-1B58   |
|       |                 |                        |        | A             | 31,75             | –        | –        | –                                 | –      | 14,600      | 19,46         | PHS 80-1A59   |
|       | 59              | 491,74                 | 491,74 | B             | –                 | 31,75    | 88,90    | 133,35                            | 50,80  | 14,600      | 23,63         | PHS 80-1B59   |
|       |                 |                        |        | A             | 31,75             | –        | –        | –                                 | –      | 14,600      | 20,55         | PHS 80-1A60   |
|       | 60              | 499,87                 | 499,87 | B             | –                 | 31,75    | 88,90    | 133,35                            | 50,80  | 14,600      | 24,72         | PHS 80-1B60   |
|       |                 |                        |        | A             | 31,75             | –        | –        | –                                 | –      | 14,600      | 23,68         | PHS 80-1A65   |
|       | 65              | 540,26                 | 540,26 | B             | –                 | 31,75    | 88,90    | 133,35                            | 50,80  | 14,600      | 28,03         | PHS 80-1B65   |
|       |                 |                        |        | A             | 31,75             | –        | –        | –                                 | –      | 14,600      | 27,12         | PHS 80-1A70   |
|       | 70              | 580,90                 | 580,90 | C             | –                 | 38,10    | 107,95   | 158,75                            | 88,90  | 14,600      | 34,34         | PHS 80-1C70   |
|       |                 |                        |        | A             | 38,10             | –        | –        | –                                 | –      | 14,600      | 29,80         | PHS 80-1A72   |
|       | 72              | 596,90                 | 596,90 | C             | –                 | 38,10    | 107,95   | 158,75                            | 88,90  | 14,600      | 36,92         | PHS 80-1C72   |
|       |                 |                        |        | A             | 38,10             | –        | –        | –                                 | –      | 14,600      | 31,84         | PHS 80-1A76   |
|       | 76              | 629,41                 | 629,41 | C             | –                 | 38,10    | 107,95   | 158,75                            | 88,90  | 14,600      | 39,83         | PHS 80-1C76   |
|       |                 |                        |        | A             | 38,10             | –        | –        | –                                 | –      | 14,600      | 36,11         | PHS 80-1A80   |
|       | 80              | 661,67                 | 661,67 | C             | –                 | 38,10    | 107,95   | 158,75                            | 88,90  | 14,600      | 40,78         | PHS 80-1C80   |
|       |                 |                        |        | A             | 38,10             | –        | –        | –                                 | –      | 14,600      | 39,05         | PHS 80-1A84   |
| 84    | 694,18          | 694,18                 | C      | –             | 38,10             | 107,95   | 158,75   | 88,90                             | 14,600 | 45,00       | PHS 80-1C84   |               |
|       |                 |                        | A      | 38,10         | –                 | –        | –        | –                                 | 14,600 | 45,81       | PHS 80-1A90   |               |
| 90    | 742,70          | 742,70                 | C      | –             | 38,10             | 107,95   | 158,75   | 88,90                             | 14,600 | 48,08       | PHS 80-1C90   |               |
|       |                 |                        | A      | 38,10         | –                 | –        | –        | –                                 | 14,600 | 54,43       | PHS 80-1A96   |               |
| 96    | 791,21          | 791,21                 | C      | –             | 38,10             | 107,95   | 158,75   | 88,90                             | 14,600 | 53,07       | PHS 80-1C96   |               |
|       |                 |                        | A      | 38,10         | –                 | –        | –        | –                                 | 14,600 | 74,84       | PHS 80-1A112  |               |
| 112   | 920,50          | 920,50                 | C      | –             | 38,10             | 107,95   | 158,75   | 88,90                             | 14,600 | 69,85       | PHS 80-1C112  |               |
|       |                 |                        | A      | 38,10         | –                 | –        | –        | –                                 | 14,600 | 0,54        | PHS 100-1A7   |               |
| 31,75 | 1 ¼             | 7                      | 85,09  | A             | 25,40             | –        | –        | –                                 | –      | 17,580      | 0,54          | PHS 100-1A7   |
|       |                 |                        |        | B             | 25,40             | –        | –        | –                                 | –      | 17,580      | 0,64          | PHS 100-1A8   |
|       | 8               | 95,76                  | 95,76  | B             | –                 | 25,40    | 31,75    | 61,91                             | 47,63  | 17,580      | 1,04          | PHS 100-1BH8  |
|       |                 |                        |        | A             | 25,40             | –        | –        | –                                 | –      | 17,580      | 0,73          | PHS 100-1A9   |
|       | 9               | 106,17                 | 106,17 | B             | –                 | 25,40    | 41,28    | 71,44                             | 47,63  | 17,580      | 1,45          | PHS 100-1BH9  |
|       |                 |                        |        | A             | 25,40             | –        | –        | –                                 | –      | 17,580      | 0,91          | PHS 100-1A10  |
|       | 10              | 116,84                 | 116,84 | B             | –                 | 25,40    | 47,63    | 82,55                             | 47,63  | 17,580      | 1,86          | PHS 100-1BH10 |
|       |                 |                        |        | A             | 31,75             | –        | –        | –                                 | –      | 17,580      | 1,13          | PHS 100-1A11  |
|       | 11              | 127,25                 | 127,25 | B             | –                 | 25,40    | 57,15    | 90,49                             | 47,63  | 17,580      | 2,40          | PHS 100-1BH11 |
|       |                 |                        |        | A             | 31,75             | –        | –        | –                                 | –      | 17,580      | 1,36          | PHS 100-1A12  |
|       | 12              | 137,67                 | 137,67 | B             | –                 | 25,40    | 57,15    | 101,60                            | 47,63  | 17,580      | 2,90          | PHS 100-1BH12 |
|       |                 |                        |        | A             | 31,75             | –        | –        | –                                 | –      | 17,580      | 1,59          | PHS 100-1A13  |
|       | 13              | 147,83                 | 147,83 | B             | –                 | 25,40    | 60,33    | 98,43                             | 41,28  | 17,580      | 2,99          | PHS 100-1BH13 |
|       |                 |                        |        | A             | 31,75             | –        | –        | –                                 | –      | 17,580      | 1,86          | PHS 100-1A14  |
| 14    | 158,24          | 158,24                 | B      | –             | 31,75             | 69,85    | 106,36   | 41,28                             | 17,580 | 3,36        | PHS 100-1BH14 |               |
|       |                 |                        | A      | 31,75         | –                 | –        | –        | –                                 | 17,580 | 1,86        | PHS 100-1A14  |               |

Maximum bores can accommodate standard keyways. Larger bores are available where a shallow keyway is used or no keyway is required. All Type B or C sprockets, up to and including 25 tooth, are with hardened teeth as standard. For any additional size sprockets with hardened teeth, add "H" before the number of teeth, e.g. PHS 25-1BH9.

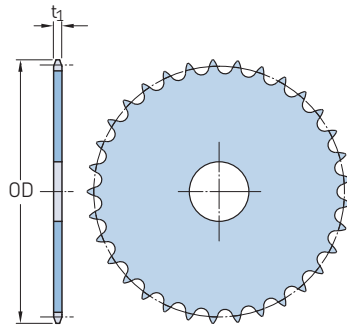
**ANSI sprockets, simplex, pilot bore**  
ANSI 100-1 · 31,75 mm (1¼") pitch

| Pitch |        | Number of teeth | Outside diameter<br>OD | Type  | Dimensions |        |       | Hub    |       | Plate thickness<br>t <sub>1</sub> | Mass  | Designation   |
|-------|--------|-----------------|------------------------|-------|------------|--------|-------|--------|-------|-----------------------------------|-------|---------------|
| mm    | in.    |                 |                        |       | Bore stock | Bore   |       | H      | L     |                                   |       |               |
|       |        |                 |                        |       | mm         | Min.   | Max.  |        |       | kg                                |       |               |
| 31,75 | 1¼     | 15              | 168,40                 | A     | 31,75      | –      | –     | –      | –     | 17,580                            | 2,13  | PHS 100-1A15  |
|       |        |                 | 168,40                 | B     | –          | 31,75  | 76,20 | 114,30 | 44,45 | 17,580                            | 4,17  | PHS 100-1BH15 |
|       |        | 16              | 178,56                 | A     | 31,75      | –      | –     | –      | –     | 17,580                            | 2,45  | PHS 100-1A16  |
|       |        |                 | 178,56                 | B     | –          | 33,34  | 76,20 | 114,30 | 44,45 | 17,580                            | 4,49  | PHS 100-1BH16 |
|       |        | 17              | 188,98                 | A     | 31,75      | –      | –     | –      | –     | 17,580                            | 2,77  | PHS 100-1A17  |
|       |        |                 | 188,98                 | B     | –          | 33,34  | 76,20 | 114,30 | 44,45 | 17,580                            | 4,90  | PHS 100-1BH17 |
|       |        | 18              | 199,14                 | A     | 31,75      | –      | –     | –      | –     | 17,580                            | 3,18  | PHS 100-1A18  |
|       |        |                 | 199,14                 | B     | –          | 33,34  | 76,20 | 114,30 | 44,45 | 17,580                            | 5,22  | PHS 100-1BH18 |
|       |        | 19              | 209,30                 | A     | 31,75      | –      | –     | –      | –     | 17,580                            | 3,54  | PHS 100-1A19  |
|       |        |                 | 209,30                 | B     | –          | 33,34  | 76,20 | 114,30 | 50,80 | 17,580                            | 5,94  | PHS 100-1BH19 |
|       |        | 20              | 219,46                 | A     | 31,75      | –      | –     | –      | –     | 17,580                            | 3,99  | PHS 100-1A20  |
|       |        |                 | 219,46                 | B     | –          | 33,34  | 76,20 | 114,30 | 50,80 | 17,580                            | 6,44  | PHS 100-1BH20 |
|       |        | 21              | 229,62                 | A     | 31,75      | –      | –     | –      | –     | 17,580                            | 4,45  | PHS 100-1A21  |
|       |        |                 | 229,62                 | B     | –          | 33,34  | 76,20 | 114,30 | 50,80 | 17,580                            | 6,94  | PHS 100-1BH21 |
|       |        | 22              | 239,78                 | A     | 31,75      | –      | –     | –      | –     | 17,580                            | 4,76  | PHS 100-1A22  |
|       |        |                 | 239,78                 | B     | –          | 33,34  | 76,20 | 114,30 | 50,80 | 17,580                            | 7,30  | PHS 100-1BH22 |
|       |        | 23              | 249,94                 | A     | 31,75      | –      | –     | –      | –     | 17,580                            | 5,35  | PHS 100-1A23  |
|       |        |                 | 249,94                 | B     | –          | 31,75  | 76,20 | 114,30 | 50,80 | 17,580                            | 7,80  | PHS 100-1BH23 |
|       |        | 24              | 260,35                 | A     | 31,75      | –      | –     | –      | –     | 17,580                            | 5,81  | PHS 100-1A24  |
|       |        |                 | 260,35                 | B     | –          | 31,75  | 76,20 | 114,30 | 50,80 | 17,580                            | 8,71  | PHS 100-1BH24 |
|       |        | 25              | 270,51                 | A     | 31,75      | –      | –     | –      | –     | 17,580                            | 6,30  | PHS 100-1A25  |
|       |        |                 | 270,51                 | B     | –          | 31,75  | 76,20 | 114,30 | 50,80 | 17,580                            | 8,85  | PHS 100-1BH25 |
|       |        | 26              | 280,67                 | A     | 31,75      | –      | –     | –      | –     | 17,580                            | 6,80  | PHS 100-1A26  |
|       |        |                 | 280,67                 | B     | –          | 31,75  | 84,14 | 127,00 | 50,80 | 17,580                            | 9,84  | PHS 100-1B26  |
|       |        | 27              | 290,58                 | A     | 31,75      | –      | –     | –      | –     | 17,580                            | 7,26  | PHS 100-1A27  |
|       |        |                 | 290,58                 | B     | –          | 31,75  | 84,14 | 127,00 | 50,80 | 17,580                            | 10,43 | PHS 100-1B27  |
|       |        | 28              | 300,74                 | A     | 31,75      | –      | –     | –      | –     | 17,580                            | 7,89  | PHS 100-1A28  |
|       |        |                 | 300,74                 | B     | –          | 31,75  | 84,14 | 127,00 | 50,80 | 17,580                            | 11,07 | PHS 100-1B28  |
|       |        | 29              | 310,90                 | A     | 31,75      | –      | –     | –      | –     | 17,580                            | 8,89  | PHS 100-1A29  |
|       |        |                 | 310,90                 | B     | –          | 31,75  | 84,14 | 127,00 | 50,80 | 17,580                            | 11,34 | PHS 100-1B29  |
|       |        | 30              | 321,06                 | A     | 31,75      | –      | –     | –      | –     | 17,580                            | 9,12  | PHS 100-1A30  |
|       |        |                 | 321,06                 | B     | –          | 31,75  | 84,14 | 127,00 | 50,80 | 17,580                            | 12,20 | PHS 100-1B30  |
|       |        | 31              | 331,22                 | A     | 31,75      | –      | –     | –      | –     | 17,580                            | 9,75  | PHS 100-1A31  |
|       |        | 32              | 341,38                 | A     | 31,75      | –      | –     | –      | –     | 17,580                            | 10,25 | PHS 100-1A32  |
|       |        |                 | 341,38                 | B     | –          | 31,75  | 84,14 | 127,00 | 50,80 | 17,580                            | 13,52 | PHS 100-1B32  |
|       |        | 33              | 351,54                 | A     | 31,75      | –      | –     | –      | –     | 17,580                            | 10,93 | PHS 100-1A33  |
|       |        | 34              | 361,70                 | A     | 31,75      | –      | –     | –      | –     | 17,580                            | 11,79 | PHS 100-1A34  |
|       |        | 35              | 371,86                 | A     | 31,75      | –      | –     | –      | –     | 17,580                            | 12,34 | PHS 100-1A35  |
|       |        |                 | 371,86                 | B     | –          | 31,75  | 84,14 | 127,00 | 63,50 | 17,580                            | 16,74 | PHS 100-1B35  |
|       |        | 36              | 382,02                 | A     | 31,75      | –      | –     | –      | –     | 17,580                            | 13,61 | PHS 100-1A36  |
|       |        |                 | 382,02                 | B     | –          | 31,75  | 84,14 | 127,00 | 63,50 | 17,580                            | 17,51 | PHS 100-1B36  |
|       |        | 37              | 392,18                 | A     | 31,75      | –      | –     | –      | –     | 17,580                            | 14,06 | PHS 100-1A37  |
|       |        | 38              | 402,34                 | A     | 31,75      | –      | –     | –      | –     | 17,580                            | 14,97 | PHS 100-1A38  |
|       |        |                 | 402,34                 | B     | –          | 31,75  | 84,14 | 127,00 | 63,50 | 17,580                            | 18,82 | PHS 100-1B38  |
|       |        | 39              | 412,24                 | A     | 31,75      | –      | –     | –      | –     | 17,580                            | 15,88 | PHS 100-1A39  |
|       |        |                 | 412,24                 | B     | –          | 31,75  | 84,14 | 127,00 | 63,50 | 17,580                            | 19,78 | PHS 100-1B39  |
| 40    | 422,40 | A               | 31,75                  | –     | –          | –      | –     | 17,580 | 16,33 | PHS 100-1A40                      |       |               |
|       | 422,40 | B               | –                      | 31,75 | 84,14      | 127,00 | 63,50 | 17,580 | 21,27 | PHS 100-1B40                      |       |               |
| 41    | 432,56 | A               | 31,75                  | –     | –          | –      | –     | 17,580 | 17,69 | PHS 100-1A41                      |       |               |
| 42    | 442,72 | A               | 31,75                  | –     | –          | –      | –     | 17,580 | 18,14 | PHS 100-1A42                      |       |               |
|       | 442,72 | B               | –                      | 31,75 | 84,14      | 127,00 | 63,50 | 17,580 | 22,86 | PHS 100-1B42                      |       |               |
| 43    | 452,88 | A               | 38,10                  | –     | –          | –      | –     | 17,580 | 19,50 | PHS 100-1A43                      |       |               |
| 44    | 463,04 | A               | 38,10                  | –     | –          | –      | –     | 17,580 | 20,41 | PHS 100-1A44                      |       |               |
| 45    | 473,20 | A               | 38,10                  | –     | –          | –      | –     | 17,580 | 21,32 | PHS 100-1A45                      |       |               |
|       | 473,20 | B               | –                      | 38,10 | 84,14      | 127,00 | 63,50 | 17,580 | 24,49 | PHS 100-1B45                      |       |               |
| 46    | 483,11 | A               | 38,10                  | –     | –          | –      | –     | 17,580 | 21,77 | PHS 100-1A46                      |       |               |

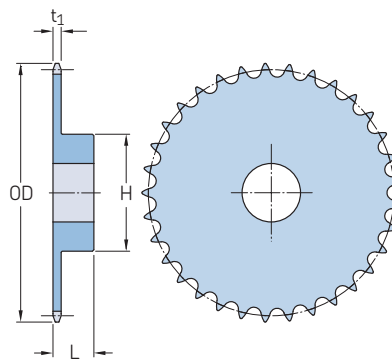
Maximum bores can accommodate standard keyways. Larger bores are available where a shallow keyway is used or no keyway is required. All Type B or C sprockets, up to and including 25 tooth, are with hardened teeth as standard. For any additional size sprockets with hardened teeth, add "H" before the number of teeth, e.g. PHS 25-1BH9.

**ANSI sprockets, simplex, pilot bore**

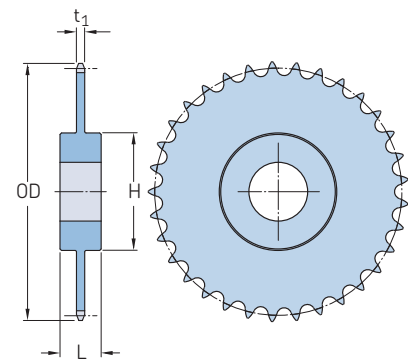
ANSI 100-1 · 31,75 mm (1¼") pitch | ANSI 120-1 · 38,10 mm (1½") pitch



Type A



Type B



Type C

| Pitch | Number of teeth | Outside diameter | Type  | Dimensions |        | Hub    | Plate thickness | Mass  | Designation   |       |
|-------|-----------------|------------------|-------|------------|--------|--------|-----------------|-------|---------------|-------|
|       |                 |                  |       | Bore stock | Bore   |        |                 |       |               |       |
| mm    | in.             | mm               |       | mm         | Min.   | Max.   | t <sub>1</sub>  | kg    |               |       |
| 31,75 | 1¼              | 47               | A     | 38,10      | -      | -      | 17,580          | 23,59 | PHS 100-1A47  |       |
|       |                 |                  | B     | 38,10      | 38,10  | 101,60 | 17,580          | 24,49 | PHS 100-1A48  |       |
|       |                 | 48               | A     | 38,10      | -      | -      | 17,580          | 25,40 | PHS 100-1A49  |       |
|       |                 |                  | B     | 38,10      | 38,10  | 101,60 | 17,580          | 29,94 | PHS 100-1B48  |       |
|       |                 | 49               | A     | 38,10      | -      | -      | 17,580          | 25,40 | PHS 100-1A49  |       |
|       |                 |                  | B     | 38,10      | 38,10  | 101,60 | 17,580          | 25,85 | PHS 100-1A50  |       |
|       |                 | 50               | A     | 38,10      | -      | -      | 17,580          | 25,85 | PHS 100-1A50  |       |
|       |                 |                  | B     | 38,10      | 38,10  | 101,60 | 17,580          | 28,58 | PHS 100-1A51  |       |
|       |                 | 51               | A     | 38,10      | -      | -      | 17,580          | 28,58 | PHS 100-1A51  |       |
|       |                 |                  | B     | 38,10      | 38,10  | 101,60 | 17,580          | 29,03 | PHS 100-1A52  |       |
|       |                 | 52               | A     | 38,10      | -      | -      | 17,580          | 29,03 | PHS 100-1A52  |       |
|       |                 |                  | B     | 38,10      | 38,10  | 101,60 | 17,580          | 29,12 | PHS 100-1A53  |       |
|       |                 | 53               | A     | 38,10      | -      | -      | 17,580          | 29,12 | PHS 100-1A53  |       |
|       |                 |                  | B     | 38,10      | 38,10  | 101,60 | 17,580          | 30,84 | PHS 100-1A54  |       |
|       |                 | 54               | A     | 38,10      | -      | -      | 17,580          | 30,84 | PHS 100-1A54  |       |
|       |                 |                  | C     | 38,10      | 38,10  | 101,60 | 152,40          | 82,55 | 17,580        | 35,38 |
|       |                 | 55               | A     | 38,10      | -      | -      | 17,580          | 31,75 | PHS 100-1A55  |       |
|       |                 |                  | B     | 38,10      | 38,10  | 101,60 | 152,40          | 82,55 | 17,580        | 32,66 |
|       |                 | 56               | A     | 38,10      | -      | -      | 17,580          | 32,66 | PHS 100-1A56  |       |
|       |                 |                  | B     | 38,10      | 38,10  | 101,60 | 152,40          | 82,55 | 17,580        | 34,38 |
|       |                 | 57               | A     | 38,10      | -      | -      | 17,580          | 34,38 | PHS 100-1A57  |       |
|       |                 |                  | B     | 38,10      | 38,10  | 101,60 | 152,40          | 82,55 | 17,580        | 34,47 |
|       |                 | 58               | A     | 38,10      | -      | -      | 17,580          | 34,47 | PHS 100-1A58  |       |
|       |                 |                  | B     | 38,10      | 38,10  | 101,60 | 152,40          | 82,55 | 17,580        | 34,93 |
| 59    | A               | 38,10            | -     | -          | 17,580 | 34,93  | PHS 100-1A59    |       |               |       |
|       | B               | 38,10            | 38,10 | 101,60     | 152,40 | 82,55  | 17,580          | 36,29 | PHS 100-1A60  |       |
| 60    | A               | 38,10            | -     | -          | 17,580 | 36,29  | PHS 100-1A60    |       |               |       |
|       | C               | 38,10            | 38,10 | 101,60     | 152,40 | 82,55  | 17,580          | 40,37 | PHS 100-1C60  |       |
| 70    | A               | 38,10            | -     | -          | 17,580 | 51,26  | PHS 100-1A70    |       |               |       |
|       | C               | 38,10            | 38,10 | 133,35     | 177,80 | 95,25  | 17,580          | 56,70 | PHS 100-1C70  |       |
| 72    | A               | 38,10            | -     | -          | 17,580 | 53,98  | PHS 100-1A72    |       |               |       |
|       | C               | 38,10            | 38,10 | 133,35     | 177,80 | 95,25  | 17,580          | 60,78 | PHS 100-1C72  |       |
| 76    | A               | 38,10            | -     | -          | 17,580 | 60,33  | PHS 100-1A76    |       |               |       |
|       | C               | 38,10            | 38,10 | 133,35     | 177,80 | 95,25  | 17,580          | 64,86 | PHS 100-1C76  |       |
| 80    | A               | 38,10            | -     | -          | 17,580 | 66,22  | PHS 100-1A80    |       |               |       |
|       | C               | 38,10            | 38,10 | 133,35     | 177,80 | 95,25  | 17,580          | 68,49 | PHS 100-1C80  |       |
| 84    | A               | 38,10            | -     | -          | 17,580 | 73,48  | PHS 100-1A84    |       |               |       |
|       | C               | 38,10            | 38,10 | 133,35     | 177,80 | 95,25  | 17,580          | 77,11 | PHS 100-1C84  |       |
| 90    | A               | 38,10            | -     | -          | 17,580 | 87,54  | PHS 100-1A90    |       |               |       |
|       | C               | 38,10            | 38,10 | 133,35     | 177,80 | 95,25  | 17,580          | 83,46 | PHS 100-1C90  |       |
| 96    | A               | 38,10            | -     | -          | 17,580 | 97,52  | PHS 100-1A96    |       |               |       |
|       | C               | 38,10            | 38,10 | 133,35     | 177,80 | 114,30 | 17,580          | 92,08 | PHS 100-1C96  |       |
| 38,10 | 1½              | 8                | A     | 31,75      | -      | -      | 23,470          | 1,09  | PHS 120-1A8   |       |
|       |                 |                  | B     | 31,75      | 34,93  | 46,04  | 85,73           | 57,15 | 23,470        | 1,36  |
|       |                 | 9                | A     | 31,75      | -      | -      | 23,470          | 1,36  | PHS 120-1A9   |       |
|       |                 |                  | B     | 31,75      | 34,93  | 46,04  | 85,73           | 57,15 | 23,470        | 2,40  |
|       |                 | 10               | A     | 31,75      | -      | -      | 23,470          | 1,72  | PHS 120-1A10  |       |
|       |                 |                  | B     | 31,75      | 34,93  | 46,04  | 85,73           | 57,15 | 23,470        | 3,22  |
| 11    | A               | 31,75            | -     | -          | 23,470 | 2,18   | PHS 120-1A11    |       |               |       |
|       | B               | 31,75            | 34,93 | 46,04      | 85,73  | 57,15  | 23,470          | 3,45  | PHS 120-1BH11 |       |
| 12    | A               | 31,75            | -     | -          | 23,470 | 2,63   | PHS 120-1A12    |       |               |       |

Maximum bores can accommodate standard keyways. Larger bores are available where a shallow keyway is used or no keyway is required. All Type B or C sprockets, up to and including 25 tooth, are with hardened teeth as standard. For any additional size sprockets with hardened teeth, add "H" before the number of teeth, e.g. PHS 25-1BH9.



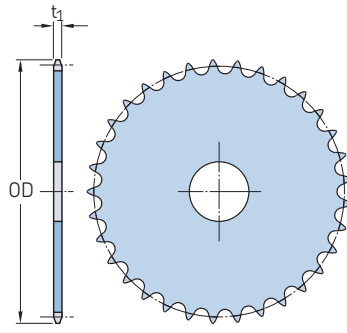
**ANSI sprockets, simplex, pilot bore**  
ANSI 120-1 · 38,10 mm (1 1/2") pitch

| Pitch |        | Number of teeth | Outside diameter<br>OD | Type  | Dimensions |              |              | Hub    |        | Plate thickness<br>t <sub>1</sub> | Mass<br>kg | Designation   |
|-------|--------|-----------------|------------------------|-------|------------|--------------|--------------|--------|--------|-----------------------------------|------------|---------------|
| mm    | in.    |                 |                        |       | Bore stock | Bore<br>Min. | Bore<br>Max. | H      | L      |                                   |            |               |
| 38,10 | 1 1/2  | 12              | 165,10                 | B     | –          | 34,93        | 69,85        | 104,78 | 53,98  | 23,470                            | 4,49       | PHS 120-1BH12 |
|       |        | 13              | 177,55                 | A     | 31,75      | –            | –            | –      | –      | 23,470                            | 3,04       | PHS 120-1A13  |
|       |        |                 | 177,55                 | B     | –          | 34,93        | 76,20        | 115,89 | 57,15  | 23,470                            | 5,62       | PHS 120-1BH13 |
|       |        | 14              | 189,74                 | A     | 31,75      | –            | –            | –      | –      | 23,470                            | 3,63       | PHS 120-1A14  |
|       |        |                 | 189,74                 | B     | –          | 34,93        | 82,55        | 120,65 | 57,15  | 23,470                            | 6,53       | PHS 120-1BH14 |
|       |        | 15              | 202,18                 | A     | 31,75      | –            | –            | –      | –      | 23,470                            | 4,13       | PHS 120-1A15  |
|       |        |                 | 202,18                 | B     | –          | 31,75        | 82,55        | 120,65 | 60,33  | 23,470                            | 7,57       | PHS 120-1BH15 |
|       |        | 16              | 214,38                 | A     | 31,75      | –            | –            | –      | –      | 23,470                            | 4,81       | PHS 120-1A16  |
|       |        |                 | 214,38                 | B     | –          | 31,75        | 88,90        | 133,35 | 60,33  | 23,470                            | 9,03       | PHS 120-1BH16 |
|       |        | 17              | 226,57                 | A     | 31,75      | –            | –            | –      | –      | 23,470                            | 5,72       | PHS 120-1A17  |
|       |        |                 | 226,57                 | B     | –          | 31,75        | 88,90        | 133,35 | 60,33  | 23,470                            | 9,43       | PHS 120-1BH17 |
|       |        | 18              | 239,01                 | A     | 31,75      | –            | –            | –      | –      | 23,470                            | 6,17       | PHS 120-1A18  |
|       |        |                 | 239,01                 | B     | –          | 31,75        | 88,90        | 133,35 | 60,33  | 23,470                            | 10,07      | PHS 120-1BH18 |
|       |        | 19              | 251,21                 | A     | 31,75      | –            | –            | –      | –      | 23,470                            | 6,85       | PHS 120-1A19  |
|       |        |                 | 251,21                 | B     | –          | 31,75        | 88,90        | 133,35 | 60,33  | 23,470                            | 11,25      | PHS 120-1BH19 |
|       |        | 20              | 263,40                 | A     | 31,75      | –            | –            | –      | –      | 23,470                            | 7,67       | PHS 120-1A20  |
|       |        |                 | 263,40                 | B     | –          | 31,75        | 88,90        | 133,35 | 60,33  | 23,470                            | 11,70      | PHS 120-1BH20 |
|       |        | 21              | 275,59                 | A     | 31,75      | –            | –            | –      | –      | 23,470                            | 8,48       | PHS 120-1A21  |
|       |        |                 | 275,59                 | B     | –          | 31,75        | 88,90        | 133,35 | 60,33  | 23,470                            | 12,11      | PHS 120-1BH21 |
|       |        | 22              | 287,78                 | A     | 31,75      | –            | –            | –      | –      | 23,470                            | 9,07       | PHS 120-1A22  |
|       |        |                 | 287,78                 | B     | –          | 31,75        | 88,90        | 133,35 | 60,33  | 23,470                            | 12,79      | PHS 120-1BH22 |
|       |        | 23              | 299,97                 | A     | 31,75      | –            | –            | –      | –      | 23,470                            | 10,02      | PHS 120-1A23  |
|       |        |                 | 299,97                 | B     | –          | 31,75        | 88,90        | 133,35 | 60,33  | 23,470                            | 13,74      | PHS 120-1BH23 |
|       |        | 24              | 312,17                 | A     | 31,75      | –            | –            | –      | –      | 23,470                            | 11,25      | PHS 120-1A24  |
|       |        |                 | 312,17                 | B     | –          | 31,75        | 88,90        | 133,35 | 60,33  | 23,470                            | 14,56      | PHS 120-1BH24 |
|       |        | 25              | 324,36                 | A     | 31,75      | –            | –            | –      | –      | 23,470                            | 12,16      | PHS 120-1A25  |
|       |        |                 | 324,36                 | B     | –          | 31,75        | 88,90        | 133,35 | 60,33  | 23,470                            | 15,69      | PHS 120-1BH25 |
|       |        | 26              | 336,55                 | A     | 38,10      | –            | –            | –      | –      | 23,470                            | 12,84      | PHS 120-1A26  |
|       |        |                 | 336,55                 | B     | –          | 38,10        | 101,60       | 152,40 | 63,50  | 23,470                            | 18,14      | PHS 120-1B26  |
|       |        | 27              | 348,74                 | A     | 38,10      | –            | –            | –      | –      | 23,470                            | 14,02      | PHS 120-1A27  |
|       |        | 28              | 360,93                 | A     | 38,10      | –            | –            | –      | –      | 23,470                            | 15,24      | PHS 120-1A28  |
|       |        |                 | 360,93                 | B     | –          | 38,10        | 101,60       | 152,40 | 63,50  | 23,470                            | 20,37      | PHS 120-1B28  |
|       |        | 30              | 385,32                 | A     | 38,10      | –            | –            | –      | –      | 23,470                            | 17,69      | PHS 120-1A30  |
|       |        |                 | 385,32                 | B     | –          | 38,10        | 101,60       | 152,40 | 63,50  | 23,470                            | 22,77      | PHS 120-1B30  |
|       |        | 32              | 409,70                 | A     | 38,10      | –            | –            | –      | –      | 23,470                            | 19,91      | PHS 120-1A32  |
|       |        |                 | 409,70                 | B     | –          | 38,10        | 101,60       | 152,40 | 63,50  | 23,470                            | 25,40      | PHS 120-1B32  |
|       |        | 33              | 421,89                 | A     | 38,10      | –            | –            | –      | –      | 23,470                            | 21,86      | PHS 120-1A33  |
|       |        | 34              | 434,09                 | A     | 38,10      | –            | –            | –      | –      | 23,470                            | 22,68      | PHS 120-1A34  |
|       |        | 35              | 446,28                 | A     | 38,10      | –            | –            | –      | –      | 23,470                            | 23,59      | PHS 120-1A35  |
|       |        |                 | 446,28                 | B     | –          | 38,10        | 101,60       | 152,40 | 63,50  | 23,470                            | 28,30      | PHS 120-1B35  |
| 36    | 458,47 | A               | 38,10                  | –     | –          | –            | –            | 23,470 | 25,40  | PHS 120-1A36                      |            |               |
|       | 458,47 | B               | –                      | 38,10 | 101,60     | 152,40       | 63,50        | 23,470 | 30,12  | PHS 120-1B36                      |            |               |
| 40    | 506,98 | A               | 38,10                  | –     | –          | –            | –            | 23,470 | 32,21  | PHS 120-1A40                      |            |               |
|       | 506,98 | C               | –                      | 38,10 | 101,60     | 152,40       | 95,25        | 23,470 | 41,73  | PHS 120-1C40                      |            |               |
| 42    | 531,37 | A               | 38,10                  | –     | –          | –            | –            | 23,470 | 34,02  | PHS 120-1A42                      |            |               |
|       | 531,37 | C               | –                      | 38,10 | 101,60     | 152,40       | 95,25        | 23,470 | 44,45  | PHS 120-1C42                      |            |               |
| 45    | 567,69 | A               | 38,10                  | –     | –          | –            | –            | 23,470 | 39,92  | PHS 120-1A45                      |            |               |
|       | 567,69 | C               | –                      | 38,10 | 101,60     | 152,40       | 95,25        | 23,470 | 45,00  | PHS 120-1C45                      |            |               |
| 48    | 604,27 | A               | 38,10                  | –     | –          | –            | –            | 23,470 | 46,72  | PHS 120-1A48                      |            |               |
|       | 604,27 | C               | –                      | 38,10 | 101,60     | 152,40       | 101,60       | 23,470 | 51,26  | PHS 120-1C48                      |            |               |
| 54    | 676,91 | A               | 38,10                  | –     | –          | –            | –            | 23,470 | 63,50  | PHS 120-1A54                      |            |               |
|       | 676,91 | C               | –                      | 38,10 | 101,60     | 152,40       | 101,60       | 23,470 | 60,33  | PHS 120-1C54                      |            |               |
| 60    | 749,81 | A               | 38,10                  | –     | –          | –            | –            | 23,470 | 72,57  | PHS 120-1A60                      |            |               |
|       | 749,81 | C               | –                      | 38,10 | 133,35     | 177,80       | 101,60       | 23,470 | 72,57  | PHS 120-1C60                      |            |               |
| 70    | 871,22 | A               | 38,10                  | –     | –          | –            | –            | 23,470 | 97,98  | PHS 120-1A70                      |            |               |
|       | 871,22 | C               | –                      | 38,10 | 136,53     | 190,50       | 114,30       | 23,470 | 93,44  | PHS 120-1C70                      |            |               |
| 80    | 992,63 | A               | 38,10                  | –     | –          | –            | –            | 23,470 | 128,82 | PHS 120-1A80                      |            |               |
|       | 992,63 | C               | –                      | 38,10 | 136,53     | 190,50       | 114,30       | 23,470 | 115,21 | PHS 120-1C80                      |            |               |

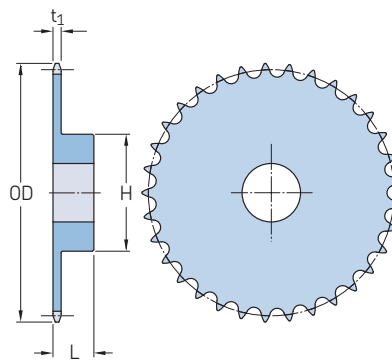
Maximum bores can accommodate standard keyways. Larger bores are available where a shallow keyway is used or no keyway is required.  
All Type B or C sprockets, up to and including 25 tooth, are with hardened teeth as standard.  
For any additional size sprockets with hardened teeth, add "H" before the number of teeth, e.g. PHS 25-1BH9.

**ANSI sprockets, simplex, pilot bore**

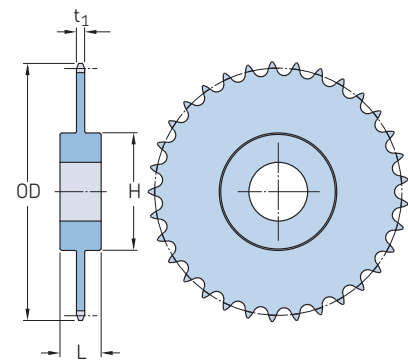
ANSI 120-1 · 38,10 mm (1½") pitch | ANSI 140-1 · 44,45 mm (1¾") pitch



Type A



Type B



Type C

| Pitch | Number of teeth | Outside diameter | Type    | Dimensions |        | Hub    | Plate thickness | Mass   | Designation |              |              |               |
|-------|-----------------|------------------|---------|------------|--------|--------|-----------------|--------|-------------|--------------|--------------|---------------|
|       |                 |                  |         | Bore stock | Bore   |        |                 |        |             |              |              |               |
| mm    | in.             | mm               | –       | mm         | Min.   | Max.   | t <sub>1</sub>  | kg     | –           |              |              |               |
| 38,10 | 1½              | 90               | 1113,79 | A          | 38,10  | –      | –               | –      | 23,470      | 162,39       | PHS 120-1A90 |               |
| 44,45 | 1¾              | 11               | 178,05  | A          | 38,10  | –      | –               | –      | 23,470      | 2,27         | PHS 140-1A11 |               |
|       |                 |                  | 178,05  | B          | –      | 38,10  | 69,85           | 107,95 | 57,15       | 23,470       | 5,13         | PHS 140-1BH11 |
|       |                 | 12               | 192,53  | A          | 38,10  | –      | –               | –      | –           | 23,470       | 3,54         | PHS 140-1A12  |
|       |                 |                  | 192,53  | B          | –      | 38,10  | 76,20           | 114,30 | 57,15       | 23,470       | 5,99         | PHS 140-1BH12 |
|       |                 | 13               | 207,01  | A          | 38,10  | –      | –               | –      | –           | 23,470       | 3,72         | PHS 140-1A13  |
|       |                 |                  | 207,01  | B          | –      | 38,10  | 95,25           | 139,70 | 60,33       | 23,470       | 8,57         | PHS 140-1BH13 |
|       |                 | 14               | 221,49  | A          | 38,10  | –      | –               | –      | –           | 23,470       | 4,54         | PHS 140-1A14  |
|       |                 |                  | 221,49  | B          | –      | 38,10  | 95,25           | 139,70 | 60,33       | 23,470       | 9,25         | PHS 140-1BH14 |
|       |                 | 15               | 235,71  | A          | 38,10  | –      | –               | –      | –           | 23,470       | 4,99         | PHS 140-1A15  |
|       |                 |                  | 235,71  | B          | –      | 38,10  | 107,95          | 158,75 | 60,33       | 23,470       | 11,39        | PHS 140-1BH15 |
|       |                 | 16               | 250,19  | A          | 38,10  | –      | –               | –      | –           | 23,470       | 6,35         | PHS 140-1A16  |
|       |                 |                  | 250,19  | B          | –      | 38,10  | 107,95          | 158,75 | 63,50       | 23,470       | 12,66        | PHS 140-1BH16 |
|       |                 | 17               | 264,41  | A          | 38,10  | –      | –               | –      | –           | 23,470       | 7,26         | PHS 140-1A17  |
|       |                 |                  | 264,41  | B          | –      | 38,10  | 107,95          | 158,75 | 63,50       | 23,470       | 13,52        | PHS 140-1BH17 |
|       |                 | 18               | 278,89  | A          | 38,10  | –      | –               | –      | –           | 23,470       | 8,16         | PHS 140-1A18  |
|       |                 |                  | 278,89  | B          | –      | 38,10  | 107,95          | 158,75 | 63,50       | 23,470       | 14,51        | PHS 140-1BH18 |
|       |                 | 19               | 293,12  | A          | 38,10  | –      | –               | –      | –           | 23,470       | 9,53         | PHS 140-1A19  |
|       |                 |                  | 293,12  | B          | –      | 38,10  | 107,95          | 158,75 | 63,50       | 23,470       | 15,47        | PHS 140-1BH19 |
|       |                 | 20               | 307,34  | A          | 38,10  | –      | –               | –      | –           | 23,470       | 10,43        | PHS 140-1A20  |
|       |                 |                  | 307,34  | B          | –      | 38,10  | 107,95          | 158,75 | 63,50       | 23,470       | 16,33        | PHS 140-1BH20 |
|       |                 | 21               | 321,56  | A          | 38,10  | –      | –               | –      | –           | 23,470       | 11,34        | PHS 140-1A21  |
|       |                 |                  | 321,56  | B          | –      | 38,10  | 107,95          | 158,75 | 63,50       | 23,470       | 17,55        | PHS 140-1BH21 |
|       |                 | 22               | 335,79  | A          | 38,10  | –      | –               | –      | –           | 23,470       | 12,70        | PHS 140-1A22  |
|       |                 |                  | 335,79  | B          | –      | 38,10  | 107,95          | 158,75 | 63,50       | 23,470       | 18,42        | PHS 140-1BH22 |
|       |                 | 23               | 350,01  | A          | 38,10  | –      | –               | –      | –           | 23,470       | 13,61        | PHS 140-1A23  |
|       |                 |                  | 350,01  | B          | –      | 38,10  | 107,95          | 158,75 | 63,50       | 23,470       | 19,10        | PHS 140-1BH23 |
|       |                 | 24               | 364,24  | A          | 38,10  | –      | –               | –      | –           | 23,470       | 14,97        | PHS 140-1A24  |
|       |                 |                  | 364,24  | B          | –      | 38,10  | 107,95          | 158,75 | 63,50       | 23,470       | 20,96        | PHS 140-1BH24 |
|       |                 | 25               | 378,46  | A          | 38,10  | –      | –               | –      | –           | 23,470       | 15,42        | PHS 140-1A25  |
|       |                 |                  | 378,46  | B          | –      | 38,10  | 107,95          | 158,75 | 63,50       | 23,470       | 21,68        | PHS 140-1BH25 |
|       |                 | 26               | 392,68  | A          | 38,10  | –      | –               | –      | –           | 23,470       | 17,69        | PHS 140-1A26  |
|       |                 |                  | 392,68  | B          | –      | 38,10  | 107,95          | 158,75 | 76,20       | 23,470       | 25,95        | PHS 140-1B26  |
| 27    | 406,91          | A                | 38,10   | –          | –      | –      | –               | 23,470 | 18,60       | PHS 140-1A27 |              |               |
|       | 406,91          | B                | –       | 38,10      | 107,95 | 158,75 | 76,20           | 23,470 | 26,54       | PHS 140-1B27 |              |               |
| 28    | 421,13          | A                | 38,10   | –          | –      | –      | –               | 23,470 | 20,41       | PHS 140-1A28 |              |               |
|       | 421,13          | B                | –       | 38,10      | 107,95 | 158,75 | 76,20           | 23,470 | 28,21       | PHS 140-1B28 |              |               |
| 30    | 449,58          | A                | 38,10   | –          | –      | –      | –               | 23,470 | 23,59       | PHS 140-1A30 |              |               |
|       | 449,58          | B                | –       | 38,10      | 107,95 | 158,75 | 76,20           | 23,470 | 31,66       | PHS 140-1B30 |              |               |
| 31    | 463,80          | A                | 44,45   | 38,10      | –      | –      | –               | 23,470 | 25,40       | PHS 140-1A31 |              |               |
| 32    | 478,03          | A                | 38,10   | –          | –      | –      | –               | 23,470 | 27,22       | PHS 140-1A32 |              |               |
|       | 478,03          | B                | –       | 38,10      | 107,95 | 158,75 | 76,20           | 23,470 | 34,61       | PHS 140-1B32 |              |               |

Maximum bores can accommodate standard keyways. Larger bores are available where a shallow keyway is used or no keyway is required. All Type B or C sprockets, up to and including 25 tooth, are with hardened teeth as standard. For any additional size sprockets with hardened teeth, add "H" before the number of teeth, e.g. PHS 25-1BH9.

# ANSI sprockets, simplex, pilot bore

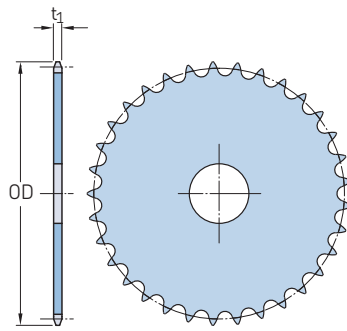
ANSI 140-1 · 44,45 mm (1<sup>3</sup>/<sub>4</sub>" pitch | ANSI 160-1 · 50,80 mm (2" pitch

| Pitch  |                               | Number of teeth | Outside diameter<br>OD | Type   | Dimensions |        | Hub    |        |        | Plate thickness<br>t <sub>1</sub> | Mass<br>kg   | Designation   |              |
|--------|-------------------------------|-----------------|------------------------|--------|------------|--------|--------|--------|--------|-----------------------------------|--------------|---------------|--------------|
| mm     | in.                           |                 |                        |        | Bore stock | Bore   | H      | L      | Min.   |                                   |              |               | Max.         |
| 44,45  | 1 <sup>3</sup> / <sub>4</sub> | 35              | 520,45                 | A      | 38,10      | –      | –      | –      | –      | 23,470                            | 33,11        | PHS 140-1A35  |              |
|        |                               |                 | 520,45                 | C      | –          | 38,10  | 133,35 | 177,80 | 101,60 | 23,470                            | 48,99        | PHS 140-1C35  |              |
|        |                               | 36              | 534,67                 | A      | 44,45      | 38,10  | –      | –      | –      | –                                 | 23,470       | 34,93         | PHS 140-1A36 |
|        |                               |                 | 591,57                 | A      | 38,10      | –      | –      | –      | –      | –                                 | 23,470       | 42,18         | PHS 140-1A40 |
|        |                               | 40              | 591,57                 | C      | –          | 38,10  | 133,35 | 177,80 | 101,60 | –                                 | 23,470       | 54,88         | PHS 140-1C40 |
|        |                               |                 | 662,43                 | A      | 38,10      | –      | –      | –      | –      | –                                 | 23,470       | 59,42         | PHS 140-1A45 |
|        |                               | 45              | 662,43                 | C      | –          | 38,10  | 133,35 | 177,80 | 101,60 | –                                 | 23,470       | 64,41         | PHS 140-1C45 |
|        |                               |                 | 704,85                 | A      | 38,10      | –      | –      | –      | –      | –                                 | 23,470       | 60,78         | PHS 140-1A48 |
|        |                               | 48              | 704,85                 | C      | –          | 38,10  | 133,35 | 177,80 | 101,60 | –                                 | 23,470       | 68,04         | PHS 140-1C48 |
|        |                               |                 | 789,94                 | A      | 38,10      | –      | –      | –      | –      | –                                 | 23,470       | 78,47         | PHS 140-1A54 |
|        |                               | 54              | 789,94                 | C      | –          | 38,10  | 133,35 | 177,80 | 101,60 | –                                 | 23,470       | 80,29         | PHS 140-1C54 |
|        |                               |                 | 874,78                 | A      | 38,10      | –      | –      | –      | –      | –                                 | 23,470       | 99,34         | PHS 140-1A60 |
|        |                               | 60              | 874,78                 | C      | –          | 38,10  | 133,35 | 177,80 | 127,00 | –                                 | 23,470       | 99,79         | PHS 140-1C60 |
|        |                               |                 | 1016,51                | A      | 38,10      | –      | –      | –      | –      | –                                 | 23,470       | 132,45        | PHS 140-1A70 |
|        |                               | 70              | 1016,51                | C      | –          | 38,10  | 136,53 | 190,50 | 127,00 | –                                 | 23,470       | 127,91        | PHS 140-1C70 |
|        |                               |                 | 1157,99                | A      | 38,10      | –      | –      | –      | –      | –                                 | 23,470       | 182,34        | PHS 140-1A80 |
| 80     | 1157,99                       | C               | –                      | 38,10  | 136,53     | 190,50 | 127,00 | –      | 23,470 | 150,14                            | PHS 140-1C80 |               |              |
|        | 50,80                         | 2               | 8                      | 153,16 | A          | 38,10  | –      | –      | –      | –                                 | 29,360       | 2,27          | PHS 160-1A8  |
| 153,16 |                               |                 |                        | B      | –          | 38,10  | 47,63  | 82,55  | 57,15  | 29,360                            | 3,63         | PHS 160-1BH8  |              |
| 9      |                               |                 | 170,18                 | A      | 38,10      | –      | –      | –      | –      | –                                 | 29,360       | 3,18          | PHS 160-1A9  |
|        |                               |                 | 170,18                 | B      | –          | 38,10  | 53,98  | 92,08  | 57,15  | 29,360                            | 4,54         | PHS 160-1BH9  |              |
| 10     |                               |                 | 186,94                 | A      | 38,10      | –      | –      | –      | –      | –                                 | 29,360       | 3,63          | PHS 160-1A10 |
|        |                               |                 | 186,94                 | B      | –          | 38,10  | 69,85  | 104,78 | 57,15  | 29,360                            | 5,44         | PHS 160-1BH10 |              |
| 11     |                               |                 | 203,45                 | A      | 38,10      | –      | –      | –      | –      | –                                 | 29,360       | 4,54          | PHS 160-1A11 |
|        |                               |                 | 203,45                 | B      | –          | 38,10  | 82,55  | 120,65 | 63,50  | 29,360                            | 7,71         | PHS 160-1BH11 |              |
| 12     |                               |                 | 219,96                 | A      | 38,10      | –      | –      | –      | –      | –                                 | 29,360       | 5,44          | PHS 160-1A12 |
|        |                               |                 | 219,96                 | B      | –          | 38,10  | 95,25  | 139,70 | 63,50  | 29,360                            | 9,53         | PHS 160-1BH12 |              |
| 13     |                               |                 | 236,47                 | A      | 38,10      | –      | –      | –      | –      | –                                 | 29,360       | 7,26          | PHS 160-1A13 |
|        |                               |                 | 236,47                 | B      | –          | 38,10  | 101,60 | 152,40 | 69,85  | 29,360                            | 12,70        | PHS 160-1BH13 |              |
| 14     |                               |                 | 252,98                 | A      | 38,10      | –      | –      | –      | –      | –                                 | 29,360       | 7,71          | PHS 160-1A14 |
|        |                               |                 | 252,98                 | B      | –          | 38,10  | 114,30 | 165,10 | 69,85  | 29,360                            | 14,51        | PHS 160-1BH14 |              |
| 15     |                               |                 | 269,49                 | A      | 38,10      | –      | –      | –      | –      | –                                 | 29,360       | 9,53          | PHS 160-1A15 |
|        |                               |                 | 269,49                 | B      | –          | 38,10  | 133,35 | 177,80 | 69,85  | 29,360                            | 16,78        | PHS 160-1BH15 |              |
| 16     |                               |                 | 286,00                 | A      | 38,10      | –      | –      | –      | –      | –                                 | 29,360       | 10,89         | PHS 160-1A16 |
|        |                               |                 | 286,00                 | B      | –          | 38,10  | 133,35 | 177,80 | 69,85  | 29,360                            | 18,60        | PHS 160-1BH16 |              |
| 17     |                               |                 | 302,26                 | A      | 38,10      | –      | –      | –      | –      | –                                 | 29,360       | 12,25         | PHS 160-1A17 |
|        |                               |                 | 302,26                 | B      | –          | 38,10  | 133,35 | 177,80 | 69,85  | 29,360                            | 20,41        | PHS 160-1BH17 |              |
| 18     |                               |                 | 318,52                 | A      | 38,10      | –      | –      | –      | –      | –                                 | 29,360       | 13,61         | PHS 160-1A18 |
|        |                               |                 | 318,52                 | B      | –          | 38,10  | 133,35 | 177,80 | 69,85  | 29,360                            | 21,77        | PHS 160-1BH18 |              |
| 19     |                               |                 | 335,03                 | A      | 38,10      | –      | –      | –      | –      | –                                 | 29,360       | 15,42         | PHS 160-1A19 |
|        |                               |                 | 335,03                 | B      | –          | 38,10  | 133,35 | 177,80 | 69,85  | 29,360                            | 23,59        | PHS 160-1BH19 |              |
| 20     |                               |                 | 351,28                 | A      | 38,10      | –      | –      | –      | –      | –                                 | 29,360       | 17,24         | PHS 160-1A20 |
|        |                               |                 | 351,28                 | B      | –          | 38,10  | 133,35 | 177,80 | 69,85  | 29,360                            | 25,40        | PHS 160-1BH20 |              |
| 21     |                               |                 | 367,54                 | A      | 38,10      | –      | –      | –      | –      | –                                 | 29,360       | 19,05         | PHS 160-1A21 |
|        |                               |                 | 367,54                 | B      | –          | 38,10  | 133,35 | 177,80 | 69,85  | 29,360                            | 26,76        | PHS 160-1BH21 |              |
| 22     | 383,79                        | A               | 38,10                  | –      | –          | –      | –      | –      | 29,360 | 20,87                             | PHS 160-1A22 |               |              |
|        | 383,79                        | B               | –                      | 38,10  | 133,35     | 177,80 | 69,85  | 29,360 | 29,48  | PHS 160-1BH22                     |              |               |              |
| 23     | 400,05                        | A               | 38,10                  | –      | –          | –      | –      | –      | 29,360 | 22,68                             | PHS 160-1A23 |               |              |
|        | 400,05                        | B               | –                      | 38,10  | 133,35     | 177,80 | 69,85  | 29,360 | 30,84  | PHS 160-1BH23                     |              |               |              |
| 24     | 416,31                        | A               | 38,10                  | –      | –          | –      | –      | –      | 29,360 | 25,40                             | PHS 160-1A24 |               |              |
|        | 416,31                        | B               | –                      | 38,10  | 133,35     | 177,80 | 76,20  | 29,360 | 34,93  | PHS 160-1BH24                     |              |               |              |
| 25     | 432,56                        | A               | 38,10                  | –      | –          | –      | –      | –      | 29,360 | 27,67                             | PHS 160-1A25 |               |              |
|        | 432,56                        | B               | –                      | 38,10  | 133,35     | 177,80 | 76,20  | 29,360 | 36,74  | PHS 160-1BH25                     |              |               |              |
| 26     | 448,82                        | A               | 38,10                  | –      | –          | –      | –      | –      | 29,360 | 29,48                             | PHS 160-1A26 |               |              |
|        | 448,82                        | B               | –                      | 38,10  | 133,35     | 177,80 | 76,20  | 29,360 | 39,01  | PHS 160-1B26                      |              |               |              |
| 27     | 465,07                        | A               | 38,10                  | –      | –          | –      | –      | –      | 29,360 | 32,21                             | PHS 160-1A27 |               |              |
|        | 465,07                        | B               | –                      | 38,10  | 133,35     | 177,80 | 76,20  | 29,360 | 41,28  | PHS 160-1B27                      |              |               |              |
| 28     | 481,33                        | A               | 38,10                  | –      | –          | –      | –      | –      | 29,360 | 34,93                             | PHS 160-1A28 |               |              |
|        | 481,33                        | B               | –                      | 38,10  | 133,35     | 177,80 | 76,20  | 29,360 | 44,45  | PHS 160-1B28                      |              |               |              |

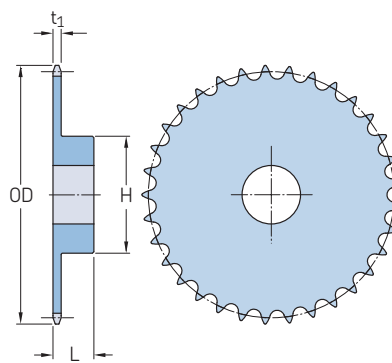
Maximum bores can accommodate standard keyways. Larger bores are available where a shallow keyway is used or no keyway is required. All Type B or C sprockets, up to and including 25 tooth, are with hardened teeth as standard. For any additional size sprockets with hardened teeth, add "H" before the number of teeth, e.g. PHS 25-1BH9.

**ANSI sprockets, simplex, pilot bore**

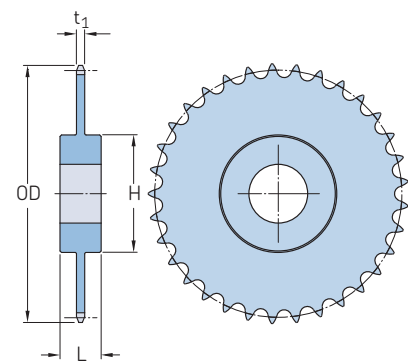
ANSI 160-1 · 50,80 mm (2") pitch | ANSI 180-1 · 57,15 mm (2¼") pitch



Type A



Type B



Type C

| Pitch | Number of teeth | Outside diameter<br>OD | Type  | Dimensions    |                   | Hub<br>H | Hub<br>L | Plate thickness<br>t <sub>1</sub> | Mass          | Designation   |
|-------|-----------------|------------------------|-------|---------------|-------------------|----------|----------|-----------------------------------|---------------|---------------|
|       |                 |                        |       | Bore<br>stock | Bore<br>Min. Max. |          |          |                                   |               |               |
| mm    | in.             | mm                     | –     | mm            | –                 | –        | –        | kg                                | –             |               |
| 50,80 | 2               | 30                     | A     | 38,10         | –                 | –        | –        | 29,360                            | 40,82         | PHS 160-1A30  |
|       |                 |                        | B     | –             | 38,10             | 133,35   | 177,80   | 76,20                             | 29,360        | 48,99         |
|       | 35              | A                      | 38,10 | –             | –                 | –        | –        | 29,360                            | 54,88         | PHS 160-1A35  |
|       |                 | C                      | –     | 38,10         | 139,70            | 203,20   | 114,30   | 29,360                            | 69,85         | PHS 160-1C35  |
|       | 40              | A                      | 38,10 | –             | –                 | –        | –        | 29,360                            | 62,60         | PHS 160-1A40  |
|       |                 | C                      | –     | 38,10         | 139,70            | 203,20   | 114,30   | 29,360                            | 88,90         | PHS 160-1C40  |
|       | 45              | A                      | 38,10 | –             | –                 | –        | –        | 29,360                            | 92,53         | PHS 160-1A45  |
|       |                 | C                      | –     | 38,10         | 139,70            | 203,20   | 127,00   | 29,360                            | 106,14        | PHS 160-1C45  |
|       | 54              | A                      | 38,10 | –             | –                 | –        | –        | 29,360                            | 133,36        | PHS 160-1A54  |
|       |                 | C                      | –     | 38,10         | 139,70            | 203,20   | 127,00   | 29,360                            | 125,19        | PHS 160-1C54  |
|       | 60              | A                      | 38,10 | –             | –                 | –        | –        | 29,360                            | 166,01        | PHS 160-1A60  |
|       |                 | C                      | –     | 38,10         | 139,70            | 203,20   | 127,00   | 29,360                            | 149,23        | PHS 160-1C60  |
|       | 70              | A                      | 38,10 | –             | –                 | –        | –        | 29,360                            | 229,97        | PHS 160-1A70  |
|       |                 | C                      | –     | 38,10         | 139,70            | 203,20   | 127,00   | 29,360                            | 202,30        | PHS 160-1C70  |
|       | 80              | A                      | 38,10 | –             | –                 | –        | –        | 29,360                            | 297,56        | PHS 160-1A80  |
|       |                 | C                      | –     | 38,10         | 139,70            | 203,20   | 152,40   | 29,360                            | 277,60        | PHS 160-1C80  |
| 57,15 | 2¼              | 11                     | A     | 38,10         | –                 | –        | –        | 33,050                            | 6,35          | PHS 180-1A11  |
|       |                 |                        | B     | –             | 38,10             | 92,08    | 139,70   | 76,20                             | 33,050        | 13,15         |
|       | 12              | A                      | 38,10 | –             | –                 | –        | –        | 33,050                            | 7,26          | PHS 180-1A12  |
|       |                 | B                      | –     | 38,10         | 101,60            | 152,40   | 76,20    | 33,050                            | 14,51         | PHS 180-1BH12 |
|       | 13              | A                      | 38,10 | –             | –                 | –        | –        | 33,050                            | 9,07          | PHS 180-1A13  |
|       |                 | B                      | –     | 38,10         | 117,48            | 171,45   | 79,38    | 33,050                            | 18,14         | PHS 180-1BH13 |
|       | 14              | A                      | 38,10 | –             | –                 | –        | –        | 33,050                            | 10,89         | PHS 180-1A14  |
|       |                 | B                      | –     | 38,10         | 133,35            | 177,80   | 79,38    | 33,050                            | 19,96         | PHS 180-1BH14 |
|       | 15              | A                      | 38,10 | –             | –                 | –        | –        | 33,050                            | 12,70         | PHS 180-1A15  |
|       |                 | B                      | –     | 38,10         | 133,35            | 177,80   | 79,38    | 33,050                            | 21,77         | PHS 180-1BH15 |
|       | 16              | A                      | 38,10 | –             | –                 | –        | –        | 33,050                            | 14,51         | PHS 180-1A16  |
|       |                 | B                      | –     | 38,10         | 133,35            | 177,80   | 79,38    | 33,050                            | 23,59         | PHS 180-1BH16 |
|       | 17              | A                      | 38,10 | –             | –                 | –        | –        | 33,050                            | 16,78         | PHS 180-1A17  |
|       |                 | B                      | –     | 38,10         | 133,35            | 177,80   | 79,38    | 33,050                            | 26,31         | PHS 180-1BH17 |
|       | 18              | A                      | 38,10 | –             | –                 | –        | –        | 33,050                            | 19,50         | PHS 180-1A18  |
|       |                 | B                      | –     | 38,10         | 133,35            | 177,80   | 79,38    | 33,050                            | 28,58         | PHS 180-1BH18 |
|       | 19              | A                      | 38,10 | –             | –                 | –        | –        | 33,050                            | 21,32         | PHS 180-1A19  |
|       |                 | B                      | –     | 38,10         | 136,53            | 190,50   | 85,73    | 33,050                            | 33,57         | PHS 180-1BH19 |
|       | 20              | A                      | 38,10 | –             | –                 | –        | –        | 33,050                            | 24,04         | PHS 180-1A20  |
|       |                 | B                      | –     | 38,10         | 136,53            | 190,50   | 85,73    | 33,050                            | 36,74         | PHS 180-1BH20 |
|       | 21              | A                      | 38,10 | –             | –                 | –        | –        | 33,050                            | 25,85         | PHS 180-1A21  |
|       |                 | B                      | –     | 38,10         | 136,53            | 190,50   | 85,73    | 33,050                            | 37,65         | PHS 180-1BH21 |
|       | 22              | A                      | 38,10 | –             | –                 | –        | –        | 33,050                            | 28,12         | PHS 180-1A22  |
|       |                 | B                      | –     | 38,10         | 136,53            | 190,50   | 85,73    | 33,050                            | 41,73         | PHS 180-1BH22 |
| 23    | A               | 38,10                  | –     | –             | –                 | –        | 33,050   | 31,30                             | PHS 180-1A23  |               |
|       | B               | –                      | 38,10 | 136,53        | 190,50            | 85,73    | 33,050   | 44,91                             | PHS 180-1BH23 |               |
| 24    | A               | 38,10                  | –     | –             | –                 | –        | 33,050   | 34,93                             | PHS 180-1A24  |               |

Maximum bores can accommodate standard keyways. Larger bores are available where a shallow keyway is used or no keyway is required. All Type B or C sprockets, up to and including 25 tooth, are with hardened teeth as standard. For any additional size sprockets with hardened teeth, add "H" before the number of teeth, e.g. PHS 25-1BH9.

# ANSI sprockets, simplex, pilot bore

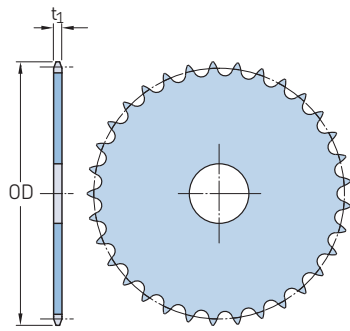
ANSI 180-1 · 57,15 mm (2¼") pitch | ANSI 200-1 · 63,50 mm (2½") pitch

| Pitch   |         | Number of teeth | Outside diameter<br>OD | Type  | Dimensions |        | Hub    |        | Plate thickness<br>t <sub>1</sub> | Mass<br>kg    | Designation  |               |
|---------|---------|-----------------|------------------------|-------|------------|--------|--------|--------|-----------------------------------|---------------|--------------|---------------|
| mm      | in.     |                 |                        |       | Bore stock | Bore   | H      | L      |                                   |               |              |               |
|         |         |                 |                        |       | Min.       | Max.   |        |        |                                   |               |              |               |
| 57,15   | 2¼      | 24              | 468,38                 | B     | –          | 38,10  | 136,53 | 190,50 | 85,73                             | 33,050        | 47,63        | PHS 180-1BH24 |
|         |         | 25              | 486,66                 | A     | 38,10      | –      | –      | –      | –                                 | 33,050        | 38,10        | PHS 180-1A25  |
|         |         |                 | 486,66                 | B     | –          | 38,10  | 136,53 | 190,50 | 85,73                             | 33,050        | 51,26        | PHS 180-1BH25 |
|         |         | 28              | 541,53                 | A     | 38,10      | –      | –      | –      | –                                 | 33,050        | 47,17        | PHS 180-1A28  |
|         |         |                 | 541,53                 | B     | –          | 38,10  | 139,70 | 203,20 | 88,90                             | 33,050        | 61,23        | PHS 180-1B28  |
|         |         | 30              | 578,10                 | A     | 38,10      | –      | –      | –      | –                                 | 33,050        | 54,43        | PHS 180-1A30  |
|         |         |                 | 578,10                 | C     | –          | 38,10  | 146,05 | 215,90 | 111,13                            | 33,050        | 81,65        | PHS 180-1C30  |
|         |         | 35              | 669,29                 | A     | 38,10      | –      | –      | –      | –                                 | 33,050        | 78,02        | PHS 180-1A35  |
|         |         |                 | 669,29                 | C     | –          | 38,10  | 146,05 | 215,90 | 111,13                            | 33,050        | 100,70       | PHS 180-1C35  |
|         |         | 40              | 760,48                 | A     | 38,10      | –      | –      | –      | –                                 | 33,050        | 103,87       | PHS 180-1A40  |
|         |         |                 | 760,48                 | C     | –          | 38,10  | 146,05 | 215,90 | 111,13                            | 33,050        | 122,47       | PHS 180-1C40  |
|         |         | 45              | 851,66                 | A     | 38,10      | –      | –      | –      | –                                 | 33,050        | 128,82       | PHS 180-1A45  |
|         |         |                 | 851,66                 | C     | –          | 38,10  | 152,40 | 228,60 | 127,00                            | 33,050        | 142,88       | PHS 180-1C45  |
|         |         | 54              | 1015,49                | A     | 38,10      | –      | –      | –      | –                                 | 33,050        | 190,51       | PHS 180-1A54  |
| 1015,49 | C       |                 | –                      | 38,10 | 152,40     | 228,60 | 127,00 | 33,050 | 216,36                            | PHS 180-1C54  |              |               |
| 60      | 1124,71 | A               | 38,10                  | –     | –          | –      | –      | 33,050 | 229,06                            | PHS 180-1A60  |              |               |
|         | 1124,71 | C               | –                      | 38,10 | 165,10     | 241,30 | 136,53 | 33,050 | 221,81                            | PHS 180-1C60  |              |               |
| 63,50   | 2½      | 10              | 233,68                 | A     | 38,10      | –      | –      | –      | 35,280                            | 7,26          | PHS 200-1A10 |               |
|         |         |                 | 233,68                 | B     | –          | 38,10  | 95,25  | 139,70 | 76,20                             | 35,280        | 11,79        | PHS 200-1BH10 |
|         |         | 11              | 254,51                 | A     | 38,10      | –      | –      | –      | –                                 | 35,280        | 9,07         | PHS 200-1A11  |
|         |         |                 | 254,51                 | B     | –          | 38,10  | 101,60 | 152,40 | 76,20                             | 35,280        | 14,97        | PHS 200-1BH11 |
|         |         | 12              | 275,08                 | A     | 38,10      | –      | –      | –      | –                                 | 35,280        | 10,89        | PHS 200-1A12  |
|         |         |                 | 275,08                 | B     | –          | 38,10  | 114,30 | 165,10 | 76,20                             | 35,280        | 16,78        | PHS 200-1BH12 |
|         |         | 13              | 295,66                 | A     | 38,10      | –      | –      | –      | –                                 | 35,280        | 13,61        | PHS 200-1A13  |
|         |         |                 | 295,66                 | B     | –          | 38,10  | 133,35 | 177,80 | 76,20                             | 35,280        | 20,87        | PHS 200-1BH13 |
|         |         | 14              | 316,48                 | A     | 38,10      | –      | –      | –      | –                                 | 35,280        | 14,51        | PHS 200-1A14  |
|         |         |                 | 316,48                 | B     | –          | 38,10  | 136,53 | 190,50 | 88,90                             | 35,280        | 26,76        | PHS 200-1BH14 |
|         |         | 15              | 336,80                 | A     | 38,10      | –      | –      | –      | –                                 | 35,280        | 18,14        | PHS 200-1A15  |
|         |         |                 | 336,80                 | B     | –          | 38,10  | 136,53 | 190,50 | 88,90                             | 35,280        | 29,03        | PHS 200-1BH15 |
|         |         | 16              | 357,38                 | A     | 38,10      | –      | –      | –      | –                                 | 35,280        | 20,87        | PHS 200-1A16  |
|         |         |                 | 357,38                 | B     | –          | 38,10  | 136,53 | 190,50 | 88,90                             | 35,280        | 32,66        | PHS 200-1BH16 |
|         |         | 17              | 377,70                 | A     | 38,10      | –      | –      | –      | –                                 | 35,280        | 23,13        | PHS 200-1A17  |
|         |         |                 | 377,70                 | B     | –          | 38,10  | 136,53 | 190,50 | 88,90                             | 35,280        | 34,47        | PHS 200-1BH17 |
|         |         | 18              | 398,27                 | A     | 38,10      | –      | –      | –      | –                                 | 35,280        | 25,85        | PHS 200-1A18  |
|         |         |                 | 398,27                 | B     | –          | 38,10  | 136,53 | 190,50 | 88,90                             | 35,280        | 38,10        | PHS 200-1BH18 |
|         |         | 19              | 418,59                 | A     | 38,10      | –      | –      | –      | –                                 | 35,280        | 29,48        | PHS 200-1A19  |
|         |         |                 | 418,59                 | B     | –          | 38,10  | 136,53 | 190,50 | 88,90                             | 35,280        | 41,28        | PHS 200-1BH19 |
|         |         | 20              | 439,17                 | A     | 38,10      | –      | –      | –      | –                                 | 35,280        | 32,66        | PHS 200-1A20  |
| 439,17  | B       |                 | –                      | 38,10 | 136,53     | 190,50 | 88,90  | 35,280 | 44,45                             | PHS 200-1BH20 |              |               |
| 21      | 459,49  | A               | 38,10                  | –     | –          | –      | –      | 35,280 | 37,19                             | PHS 200-1A21  |              |               |
|         | 459,49  | B               | –                      | 38,10 | 136,53     | 190,50 | 88,90  | 35,280 | 48,08                             | PHS 200-1BH21 |              |               |
| 22      | 479,81  | A               | 38,10                  | –     | –          | –      | –      | 35,280 | 39,92                             | PHS 200-1A22  |              |               |
|         | 479,81  | B               | –                      | 38,10 | 146,05     | 215,90 | 101,60 | 35,280 | 59,42                             | PHS 200-1BH22 |              |               |
| 23      | 500,13  | A               | 38,10                  | –     | –          | –      | –      | 35,280 | 43,09                             | PHS 200-1A23  |              |               |
|         | 500,13  | B               | –                      | 38,10 | 146,05     | 215,90 | 101,60 | 35,280 | 61,69                             | PHS 200-1BH23 |              |               |
| 24      | 520,45  | A               | 38,10                  | –     | –          | –      | –      | 35,280 | 47,63                             | PHS 200-1A24  |              |               |
|         | 520,45  | B               | –                      | 38,10 | 146,05     | 215,90 | 101,60 | 35,280 | 64,41                             | PHS 200-1BH24 |              |               |
| 25      | 540,77  | A               | 38,10                  | –     | –          | –      | –      | 35,280 | 51,26                             | PHS 200-1A25  |              |               |
|         | 540,77  | B               | –                      | 38,10 | 146,05     | 215,90 | 101,60 | 35,280 | 69,40                             | PHS 200-1BH25 |              |               |
| 26      | 561,09  | A               | 38,10                  | –     | –          | –      | –      | 35,280 | 56,25                             | PHS 200-1A26  |              |               |
|         | 561,09  | C               | –                      | 38,10 | 146,05     | 215,90 | 114,30 | 35,280 | 80,74                             | PHS 200-1C26  |              |               |
| 28      | 601,73  | A               | 38,10                  | –     | –          | –      | –      | 35,280 | 65,32                             | PHS 200-1A28  |              |               |
|         | 601,73  | C               | –                      | 38,10 | 146,05     | 215,90 | 114,30 | 35,280 | 88,45                             | PHS 200-1C28  |              |               |
| 30      | 642,37  | A               | 38,10                  | –     | –          | –      | –      | 35,280 | 75,75                             | PHS 200-1A30  |              |               |
|         | 642,37  | C               | –                      | 38,10 | 146,05     | 215,90 | 114,30 | 35,280 | 96,16                             | PHS 200-1C30  |              |               |
| 32      | 682,75  | A               | 38,10                  | –     | –          | –      | –      | 35,280 | 88,45                             | PHS 200-1A32  |              |               |
|         | 682,75  | C               | –                      | 38,10 | 146,05     | 215,90 | 114,30 | 35,280 | 99,79                             | PHS 200-1C32  |              |               |
| 35      | 743,71  | A               | 38,10                  | –     | –          | –      | –      | 35,280 | 102,97                            | PHS 200-1A35  |              |               |
|         | 743,71  | C               | –                      | 38,10 | 146,05     | 215,90 | 114,30 | 35,280 | 115,21                            | PHS 200-1C35  |              |               |

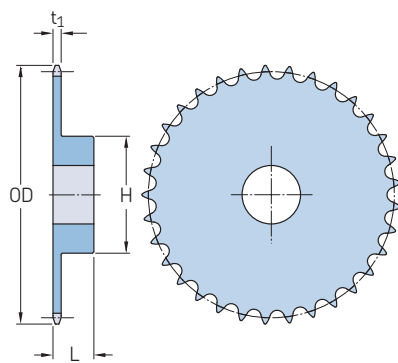
Maximum bores can accommodate standard keyways. Larger bores are available where a shallow keyway is used or no keyway is required. All Type B or C sprockets, up to and including 25 tooth, are with hardened teeth as standard. For any additional size sprockets with hardened teeth, add "H" before the number of teeth, e.g. PHS 25-1BH9.

# ANSI sprockets, simplex, pilot bore

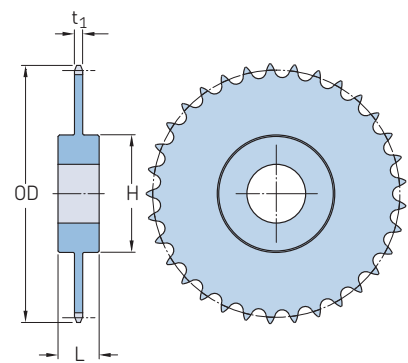
ANSI 200-1 · 63,50 mm (2½") pitch | ANSI 240-1 · 76,20 mm (3") pitch



Type A



Type B



Type C

| Pitch              | Number of teeth | Outside diameter   | Type  | Dimensions |        | Hub    | Plate thickness | Mass   | Designation   |        |
|--------------------|-----------------|--------------------|-------|------------|--------|--------|-----------------|--------|---------------|--------|
|                    |                 |                    |       | Bore stock | Bore   |        |                 |        |               |        |
|                    |                 | OD                 |       |            | Min.   | Max.   | t <sub>1</sub>  |        |               |        |
| mm                 | in.             | mm                 |       | mm         |        |        |                 | kg     |               |        |
| 63,50              | 2½              | 845,06<br>845,06   | A     | 38,10      | -      | -      | -               | 136,53 | PHS 200-1A40  |        |
|                    |                 |                    | C     | -          | 38,10  | 152,40 | 228,60          | 127,00 | 35,280        | 145,15 |
|                    |                 | 946,15<br>946,15   | A     | 38,10      | -      | -      | -               | 176,90 | PHS 200-1A45  |        |
|                    |                 |                    | C     | -          | 38,10  | 152,40 | 228,60          | 127,00 | 35,280        | 165,11 |
| 63,50              | 2½              | 1128,27<br>1128,27 | A     | 38,10      | -      | -      | -               | 251,74 | PHS 200-1A54  |        |
|                    |                 |                    | C     | -          | 38,10  | 165,10 | 241,30          | 139,70 | 35,280        | 232,24 |
|                    |                 | 1249,68<br>1249,68 | A     | 38,10      | -      | -      | -               | 313,89 | PHS 200-1A60  |        |
|                    |                 |                    | C     | -          | 38,10  | 165,10 | 241,30          | 139,70 | 35,280        | 296,65 |
| 76,20              | 3               | 280,16<br>280,16   | A     | 38,10      | -      | -      | -               | 13,61  | PHS 240-1A10  |        |
|                    |                 |                    | B     | -          | 38,10  | 114,30 | 165,10          | 85,73  | 44,150        | 22,23  |
|                    |                 | 305,31<br>305,31   | A     | 38,10      | -      | -      | -               | 16,78  | PHS 240-1A11  |        |
|                    |                 |                    | B     | -          | 38,10  | 120,65 | 177,80          | 98,43  | 44,150        | 29,94  |
|                    |                 | 330,20<br>330,20   | A     | 38,10      | -      | -      | -               | 20,41  | PHS 240-1A12  |        |
|                    |                 |                    | B     | -          | 38,10  | 136,53 | 190,50          | 98,43  | 44,150        | 32,66  |
|                    |                 | 354,84<br>354,84   | A     | 38,10      | -      | -      | -               | 24,49  | PHS 240-1A13  |        |
|                    |                 |                    | B     | -          | 38,10  | 136,53 | 190,50          | 98,43  | 44,150        | 36,74  |
|                    |                 | 379,48<br>379,48   | A     | 38,10      | -      | -      | -               | 28,12  | PHS 240-1A14  |        |
|                    |                 |                    | B     | -          | 38,10  | 136,53 | 190,50          | 98,43  | 44,150        | 39,92  |
|                    |                 | 404,11<br>404,11   | A     | 38,10      | -      | -      | -               | 30,84  | PHS 240-1A15  |        |
|                    |                 |                    | B     | -          | 38,10  | 136,53 | 190,50          | 98,43  | 44,150        | 44,45  |
|                    |                 | 428,75<br>428,75   | A     | 38,10      | -      | -      | -               | 37,19  | PHS 240-1A16  |        |
|                    |                 |                    | B     | -          | 38,10  | 139,70 | 203,20          | 104,78 | 44,150        | 54,43  |
|                    |                 | 453,39<br>453,39   | A     | 38,10      | -      | -      | -               | 42,18  | PHS 240-1A17  |        |
|                    |                 |                    | B     | -          | 38,10  | 139,70 | 203,20          | 104,78 | 44,150        | 62,14  |
|                    |                 | 477,77<br>477,77   | A     | 38,10      | -      | -      | -               | 48,99  | PHS 240-1A18  |        |
|                    |                 |                    | B     | -          | 38,10  | 139,70 | 203,20          | 104,78 | 44,150        | 64,41  |
|                    |                 | 502,41<br>502,41   | A     | 38,10      | -      | -      | -               | 54,43  | PHS 240-1A19  |        |
|                    |                 |                    | B     | -          | 38,10  | 139,70 | 203,20          | 104,78 | 44,150        | 69,85  |
| 526,80<br>526,80   | A               | 38,10              | -     | -          | -      | 58,06  | PHS 240-1A20    |        |               |        |
|                    | B               | -                  | 38,10 | 139,70     | 203,20 | 104,78 | 44,150          | 76,66  | PHS 240-1BH20 |        |
| 551,43<br>551,43   | A               | 38,10              | -     | -          | -      | 67,13  | PHS 240-1A21    |        |               |        |
|                    | B               | -                  | 38,10 | 139,70     | 203,20 | 104,78 | 44,150          | 84,37  | PHS 240-1BH21 |        |
| 648,97<br>648,97   | A               | 38,10              | -     | -          | -      | 94,35  | PHS 240-1A25    |        |               |        |
|                    | B               | -                  | 38,10 | 139,70     | 203,20 | 104,78 | 44,150          | 115,21 | PHS 240-1BH25 |        |
| 770,64<br>770,64   | A               | 38,10              | -     | -          | -      | 140,61 | PHS 240-1A30    |        |               |        |
|                    | C               | -                  | 38,10 | 152,40     | 228,60 | 158,75 | 44,150          | 180,53 | PHS 240-1C30  |        |
| 892,30<br>892,30   | A               | 38,10              | -     | -          | -      | 188,69 | PHS 240-1A35    |        |               |        |
|                    | C               | -                  | 38,10 | 152,40     | 228,60 | 158,75 | 44,150          | 239,04 | PHS 240-1C35  |        |
| 1013,97<br>1013,97 | A               | 38,10              | -     | -          | -      | 248,57 | PHS 240-1A40    |        |               |        |
|                    | C               | -                  | 38,10 | 177,80     | 254,00 | 171,45 | 44,150          | 304,81 | PHS 240-1C40  |        |
| 1135,38<br>1135,38 | A               | 38,10              | -     | -          | -      | 318,42 | PHS 240-1A45    |        |               |        |
|                    | C               | -                  | 38,10 | 177,80     | 254,00 | 171,45 | 44,150          | 385,55 | PHS 240-1C45  |        |
| 1354,07            | A               | 38,10              | -     | -          | -      | 463,57 | PHS 240-1A54    |        |               |        |

Maximum bores can accommodate standard keyways. Larger bores are available where a shallow keyway is used or no keyway is required. All Type B or C sprockets, up to and including 25 tooth, are with hardened teeth as standard. For any additional size sprockets with hardened teeth, add "H" before the number of teeth, e.g. PHS 25-1BH9.

## ANSI sprockets, simplex, pilot bore

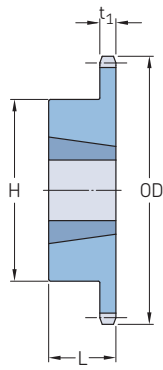
ANSI 240-1 · 76,20 mm (3") pitch

| Pitch |     | Number of teeth | Outside diameter<br>OD | Type | Dimensions |           |           | Hub    |        | Plate thickness<br>t <sub>1</sub> | Mass         | Designation  |
|-------|-----|-----------------|------------------------|------|------------|-----------|-----------|--------|--------|-----------------------------------|--------------|--------------|
| mm    | in. |                 |                        |      | Bore stock | Bore Min. | Bore Max. | H      | L      |                                   |              |              |
| mm    | in. | –               | mm                     | –    | mm         |           |           |        |        | kg                                | –            |              |
| 76,20 | 3   | 54              | 1354,07                | C    | –          | 38,10     | 177,80    | 254,00 | 171,45 | 44,150                            | 520,72       | PHS 240-1C54 |
|       |     |                 | 1499,62                | A    | 38,10      | –         | –         | –      | –      | –                                 | 44,150       | 575,15       |
|       |     | 1499,62         | C                      | –    | 38,10      | 177,80    | 254,00    | 171,45 | 44,150 | 643,65                            | PHS 240-1C60 |              |

Maximum bores can accommodate standard keyways. Larger bores are available where a shallow keyway is used or no keyway is required. All Type B or C sprockets, up to and including 25 tooth, are with hardened teeth as standard. For any additional size sprockets with hardened teeth, add "H" before the number of teeth, e.g. PHS 25-1BH9.

**ANSI sprockets, simplex, taper bushed**

ANSI 35-1 · 9,53 mm (3/8") pitch | ANSI 41-1 · 12,70 mm (1/2") pitch



Type B

| Pitch | Number of teeth | Diameters  |          | Type   | Bushing number | Dimensions |       |       |       | Plate thickness $t_1$ | Mass Rim | Bushing       | Designation  |               |               |
|-------|-----------------|------------|----------|--------|----------------|------------|-------|-------|-------|-----------------------|----------|---------------|--------------|---------------|---------------|
|       |                 | Outside OD | Pitch PD |        |                | Bore       |       | L     | H     |                       |          |               |              |               |               |
| mm    | in.             | mm         | mm       | -      | -              | mm         | mm    | mm    | mm    | mm                    | kg       | -             | -            |               |               |
| 9,53  | 3/8             | 18         | 59,69    | 54,86  | B              | 1008       | 9,53  | 25,40 | 22,23 | 47,63                 | 4,270    | 0,2           | 0,1          | PHS 35-1TBH18 |               |
|       |                 | 19         | 62,74    | 57,91  | B              | 1008       | 9,53  | 25,40 | 22,23 | 46,04                 | 4,270    | 0,2           | 0,1          | PHS 35-1TBH19 |               |
|       |                 | 20         | 65,79    | 60,96  | B              | 1008       | 9,53  | 25,40 | 22,23 | 49,21                 | 4,270    | 0,3           | 0,1          | PHS 35-1TBH20 |               |
|       |                 | 21         | 68,83    | 64,01  | B              | 1008       | 9,53  | 25,40 | 22,23 | 52,39                 | 4,270    | 0,3           | 0,1          | PHS 35-1TBH21 |               |
|       |                 | 22         | 73,15    | 66,80  | B              | 1210       | 15,88 | 31,75 | 25,40 | 60,33                 | 4,270    | 0,4           | 0,3          | PHS 35-1TBH22 |               |
|       |                 | 23         | 74,93    | 69,85  | B              | 1210       | 15,88 | 31,75 | 25,40 | 61,91                 | 4,270    | 0,4           | 0,3          | PHS 35-1TBH23 |               |
|       | 12,70           | 1/2        | 24       | 77,98  | 72,90          | B          | 1210  | 15,88 | 31,75 | 25,40                 | 61,91    | 4,270         | 0,4          | 0,3           | PHS 35-1TBH24 |
|       |                 |            | 25       | 81,03  | 75,95          | B          | 1210  | 15,88 | 31,75 | 25,40                 | 61,91    | 4,270         | 0,5          | 0,3           | PHS 35-1TBH25 |
|       |                 |            | 26       | 84,07  | 78,99          | B          | 1610  | 12,70 | 41,28 | 25,40                 | 73,03    | 4,270         | 0,5          | 0,4           | PHS 35-1TB26  |
|       |                 |            | 28       | 90,17  | 85,09          | B          | 1610  | 12,70 | 41,28 | 25,40                 | 73,03    | 4,270         | 0,5          | 0,4           | PHS 35-1TB28  |
|       |                 |            | 30       | 96,27  | 91,19          | B          | 1610  | 12,70 | 41,28 | 25,40                 | 79,38    | 4,270         | 0,5          | 0,4           | PHS 35-1TB30  |
|       |                 |            | 32       | 102,36 | 97,28          | B          | 1610  | 12,70 | 41,28 | 25,40                 | 82,55    | 4,270         | 0,6          | 0,4           | PHS 35-1TB32  |
|       |                 |            | 35       | 111,51 | 106,17         | B          | 1610  | 12,70 | 41,28 | 25,40                 | 82,55    | 4,270         | 0,6          | 0,4           | PHS 35-1TB35  |
|       |                 |            | 36       | 114,55 | 109,22         | B          | 1610  | 12,70 | 41,28 | 25,40                 | 82,55    | 4,270         | 0,6          | 0,4           | PHS 35-1TB36  |
|       |                 |            | 40       | 126,75 | 121,67         | B          | 1610  | 12,70 | 41,28 | 25,40                 | 82,55    | 4,270         | 0,9          | 0,4           | PHS 35-1TB40  |
|       |                 |            | 42       | 132,84 | 127,51         | B          | 1610  | 12,70 | 41,28 | 25,40                 | 82,55    | 4,270         | 0,9          | 0,4           | PHS 35-1TB42  |
|       |                 |            | 45       | 141,99 | 136,65         | B          | 1610  | 12,70 | 41,28 | 25,40                 | 82,55    | 4,270         | 1,0          | 0,4           | PHS 35-1TB45  |
|       |                 |            | 48       | 151,13 | 145,54         | B          | 1610  | 12,70 | 41,28 | 25,40                 | 82,55    | 4,270         | 1,0          | 0,4           | PHS 35-1TB48  |
|       |                 |            | 54       | 169,16 | 163,83         | B          | 1610  | 12,70 | 41,28 | 25,40                 | 82,55    | 4,270         | 1,2          | 0,4           | PHS 35-1TB54  |
|       |                 |            | 60       | 187,45 | 182,12         | B          | 1610  | 12,70 | 41,28 | 25,40                 | 82,55    | 4,270         | 1,4          | 0,4           | PHS 35-1TB60  |
|       | 70              | 217,68     | 212,34   | B      | 1610           | 12,70      | 41,28 | 25,40 | 82,55 | 4,270                 | 1,7      | 0,4           | PHS 35-1TB70 |               |               |
|       | 72              | 223,77     | 218,44   | B      | 1610           | 12,70      | 41,28 | 25,40 | 82,55 | 4,270                 | 1,8      | 0,4           | PHS 35-1TB72 |               |               |
| 80    | 248,16          | 242,57     | B        | 1610   | 12,70          | 41,28      | 25,40 | 82,55 | 4,270 | 2,0                   | 0,4      | PHS 35-1TB80  |              |               |               |
| 84    | 260,35          | 254,76     | B        | 1610   | 12,70          | 41,28      | 25,40 | 82,55 | 4,270 | 2,2                   | 0,4      | PHS 35-1TB84  |              |               |               |
| 96    | 296,67          | 291,08     | B        | 1610   | 12,70          | 41,28      | 25,40 | 82,55 | 4,270 | 2,7                   | 0,4      | PHS 35-1TB96  |              |               |               |
| 112   | 345,19          | 339,60     | B        | 1610   | 12,70          | 41,28      | 25,40 | 82,55 | 4,270 | 3,5                   | 0,4      | PHS 35-1TB112 |              |               |               |
| 12,70 | 1/2             | 14         | 63,25    | 57,15  | B              | 1008       | 9,53  | 25,40 | 22,23 | 47,63                 | 5,770    | 0,2           | 0,1          | PHS 41-1TBH14 |               |
|       |                 | 15         | 67,31    | 60,96  | B              | 1008       | 9,53  | 25,40 | 22,23 | 47,63                 | 5,770    | 0,2           | 0,1          | PHS 41-1TBH15 |               |
|       |                 | 16         | 71,37    | 63,50  | B              | 1008       | 9,53  | 25,40 | 22,23 | 50,80                 | 5,770    | 0,3           | 0,1          | PHS 41-1TBH16 |               |
|       |                 | 17         | 75,44    | 69,09  | B              | 1210       | 15,88 | 31,75 | 25,40 | 60,33                 | 5,770    | 0,3           | 0,3          | PHS 41-1TBH17 |               |
|       |                 | 18         | 79,76    | 73,15  | B              | 1210       | 15,88 | 31,75 | 25,40 | 85,73                 | 5,770    | 0,4           | 0,3          | PHS 41-1TBH18 |               |
|       |                 | 19         | 83,82    | 77,22  | B              | 1210       | 15,88 | 31,75 | 25,40 | 63,50                 | 5,770    | 0,5           | 0,3          | PHS 41-1TBH19 |               |
|       |                 | 20         | 87,88    | 81,28  | B              | 1610       | 12,70 | 41,28 | 25,40 | 73,03                 | 5,770    | 0,5           | 0,4          | PHS 41-1TBH20 |               |
|       |                 | 21         | 91,95    | 85,34  | B              | 1610       | 12,70 | 41,28 | 25,40 | 76,20                 | 5,770    | 0,5           | 0,4          | PHS 41-1TBH21 |               |
|       |                 | 22         | 96,01    | 89,15  | B              | 1610       | 12,70 | 41,28 | 25,40 | 76,20                 | 5,770    | 0,6           | 0,4          | PHS 41-1TBH22 |               |
|       |                 | 23         | 100,08   | 93,22  | B              | 1610       | 12,70 | 41,28 | 25,40 | 76,20                 | 5,770    | 0,6           | 0,4          | PHS 41-1TBH23 |               |
|       |                 | 24         | 104,14   | 97,28  | B              | 1610       | 12,70 | 41,28 | 25,40 | 76,20                 | 5,770    | 0,6           | 0,4          | PHS 41-1TBH24 |               |
|       |                 | 25         | 108,20   | 101,35 | B              | 1610       | 12,70 | 41,28 | 25,40 | 76,20                 | 5,770    | 0,7           | 0,4          | PHS 41-1TBH25 |               |
|       |                 | 26         | 112,27   | 105,41 | B              | 1610       | 12,70 | 41,28 | 25,40 | 76,20                 | 5,770    | 0,7           | 0,4          | PHS 41-1TB26  |               |
|       |                 | 28         | 120,40   | 113,54 | B              | 1610       | 12,70 | 41,28 | 25,40 | 76,20                 | 5,770    | 0,8           | 0,4          | PHS 41-1TB28  |               |
|       |                 | 30         | 128,52   | 121,41 | B              | 1610       | 12,70 | 41,28 | 25,40 | 76,20                 | 5,770    | 0,8           | 0,4          | PHS 41-1TB30  |               |
|       |                 | 32         | 136,65   | 129,54 | B              | 1610       | 12,70 | 41,28 | 25,40 | 76,20                 | 5,770    | 0,9           | 0,4          | PHS 41-1TB32  |               |
|       |                 | 35         | 148,84   | 141,73 | B              | 1610       | 12,70 | 41,28 | 25,40 | 76,20                 | 5,770    | 1,0           | 0,4          | PHS 41-1TB35  |               |
|       |                 | 36         | 152,91   | 145,80 | B              | 1610       | 12,70 | 41,28 | 25,40 | 76,20                 | 5,770    | 1,1           | 0,4          | PHS 41-1TB36  |               |
|       |                 | 40         | 168,91   | 161,80 | B              | 1610       | 12,70 | 41,28 | 25,40 | 76,20                 | 5,770    | 1,2           | 0,4          | PHS 41-1TB40  |               |
|       |                 | 45         | 189,23   | 182,12 | B              | 1610       | 12,70 | 41,28 | 25,40 | 76,20                 | 5,770    | 1,6           | 0,4          | PHS 41-1TB45  |               |
| 48    | 201,42          | 194,06     | B        | 1610   | 12,70          | 41,28      | 25,40 | 76,20 | 5,770 | 1,9                   | 0,4      | PHS 41-1TB48  |              |               |               |
| 54    | 225,55          | 218,44     | B        | 1610   | 12,70          | 41,28      | 25,40 | 76,20 | 5,770 | 2,2                   | 0,4      | PHS 41-1TB54  |              |               |               |
| 60    | 249,94          | 242,57     | B        | 1610   | 12,70          | 41,28      | 25,40 | 76,20 | 5,770 | 2,6                   | 0,4      | PHS 41-1TB60  |              |               |               |
| 70    | 290,32          | 282,96     | B        | 1610   | 12,70          | 41,28      | 25,40 | 76,20 | 5,770 | 3,4                   | 0,4      | PHS 41-1TB70  |              |               |               |
| 72    | 298,45          | 291,08     | B        | 1610   | 12,70          | 41,28      | 25,40 | 76,20 | 5,770 | 3,7                   | 0,4      | PHS 41-1TB72  |              |               |               |
| 80    | 330,96          | 323,60     | B        | 1610   | 12,70          | 41,28      | 25,40 | 76,20 | 5,770 | 4,4                   | 0,4      | PHS 41-1TB80  |              |               |               |
| 96    | 395,48          | 388,11     | B        | 1610   | 12,70          | 41,28      | 25,40 | 76,20 | 5,770 | 5,9                   | 0,4      | PHS 41-1TB96  |              |               |               |

All Type B or C sprockets, up to and including 25 tooth, are with hardened teeth as standard. For any additional size sprockets with hardened teeth, add "H" before the number of teeth, e.g. PHS 35-1TBH18.



**ANSI sprockets, simplex, taper bushed**

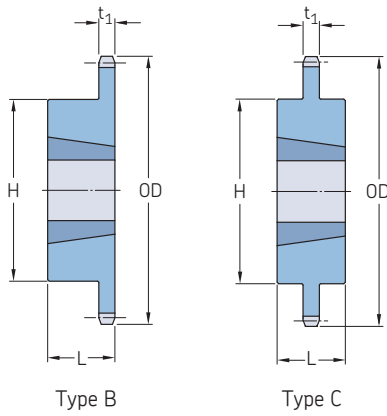
ANSI 40-1 · 12,70 mm (1/2") pitch | ANSI 50-1 · 15,88 mm (5/8") pitch | ANSI 60-1 · 19,05 mm (3/4") pitch

| Pitch |        | Number of teeth | Diameters |        | Type   | Bushing number | Dimensions |       |       |        | Plate thickness t <sub>1</sub> | Mass Rim | Bushing | Designation   |     |               |
|-------|--------|-----------------|-----------|--------|--------|----------------|------------|-------|-------|--------|--------------------------------|----------|---------|---------------|-----|---------------|
| mm    | in.    |                 | OD        | PD     |        |                | Min.       | Max.  | L     | H      |                                |          |         |               |     |               |
| 12,70 | 1/2    | 14              | 63,25     | 57,15  | B      | 1008           | 9,53       | 25,40 | 22,23 | 46,04  | 7,210                          | 0,1      | 0,1     | PHS 40-1TBH14 |     |               |
|       |        | 15              | 67,31     | 60,96  | B      | 1008           | 9,53       | 25,40 | 22,23 | 46,04  | 7,210                          | 0,2      | 0,1     | PHS 40-1TBH15 |     |               |
|       |        | 16              | 71,37     | 65,02  | B      | 1008           | 9,53       | 25,40 | 22,23 | 49,21  | 7,210                          | 0,2      | 0,1     | PHS 40-1TBH16 |     |               |
|       |        | 17              | 75,69     | 69,09  | B      | 1210           | 15,88      | 31,75 | 25,40 | 60,33  | 7,210                          | 0,2      | 0,1     | PHS 40-1TBH17 |     |               |
|       |        | 18              | 79,50     | 73,15  | B      | 1210           | 15,88      | 31,75 | 25,40 | 62,71  | 7,210                          | 0,3      | 0,3     | PHS 40-1TBH18 |     |               |
|       |        | 19              | 83,82     | 77,22  | B      | 1210           | 15,88      | 31,75 | 25,40 | 62,71  | 7,210                          | 0,3      | 0,3     | PHS 40-1TBH19 |     |               |
|       |        | 20              | 87,88     | 81,28  | B      | 1610           | 12,70      | 41,28 | 25,40 | 70,64  | 7,210                          | 0,3      | 0,4     | PHS 40-1TBH20 |     |               |
|       |        | 21              | 91,95     | 85,34  | B      | 1610           | 12,70      | 41,28 | 25,40 | 70,64  | 7,210                          | 0,4      | 0,4     | PHS 40-1TBH21 |     |               |
|       |        | 22              | 96,01     | 89,15  | B      | 1610           | 12,70      | 41,28 | 25,40 | 70,64  | 7,210                          | 0,4      | 0,4     | PHS 40-1TBH22 |     |               |
|       |        | 23              | 100,08    | 93,22  | B      | 1610           | 12,70      | 41,28 | 25,40 | 76,20  | 7,210                          | 0,5      | 0,4     | PHS 40-1TBH23 |     |               |
|       |        | 24              | 104,14    | 97,28  | B      | 1610           | 12,70      | 41,28 | 25,40 | 82,55  | 7,210                          | 0,6      | 0,4     | PHS 40-1TBH24 |     |               |
|       |        | 25              | 108,20    | 101,35 | B      | 1610           | 12,70      | 41,28 | 25,40 | 82,55  | 7,210                          | 0,7      | 0,4     | PHS 40-1TBH25 |     |               |
|       |        | 26              | 112,27    | 105,41 | B      | 1610           | 12,70      | 41,28 | 25,40 | 82,55  | 7,210                          | 0,8      | 0,4     | PHS 40-1TB26  |     |               |
|       |        | 28              | 120,40    | 113,54 | B      | 1610           | 12,70      | 41,28 | 25,40 | 76,20  | 7,210                          | 0,8      | 0,4     | PHS 40-1TB28  |     |               |
|       |        | 30              | 128,52    | 121,41 | B      | 1610           | 12,70      | 41,28 | 25,40 | 76,20  | 7,210                          | 0,9      | 0,4     | PHS 40-1TB30  |     |               |
|       |        | 32              | 136,65    | 129,54 | B      | 1610           | 12,70      | 41,28 | 25,40 | 76,20  | 7,210                          | 0,9      | 0,4     | PHS 40-1TB32  |     |               |
|       |        | 35              | 148,84    | 141,73 | B      | 1610           | 12,70      | 41,28 | 25,40 | 76,20  | 7,210                          | 1,0      | 0,4     | PHS 40-1TB35  |     |               |
|       |        | 36              | 152,65    | 145,80 | B      | 1610           | 12,70      | 41,28 | 25,40 | 76,20  | 7,210                          | 1,1      | 0,4     | PHS 40-1TB36  |     |               |
|       |        | 40              | 168,91    | 161,80 | B      | 1610           | 12,70      | 41,28 | 25,40 | 76,20  | 7,210                          | 1,3      | 0,4     | PHS 40-1TB40  |     |               |
|       |        | 42              | 177,04    | 169,93 | B      | 1610           | 12,70      | 41,28 | 25,40 | 76,20  | 7,210                          | 1,3      | 0,4     | PHS 40-1TB42  |     |               |
|       |        | 45              | 189,23    | 182,12 | B      | 1610           | 12,70      | 41,28 | 25,40 | 76,20  | 7,210                          | 1,6      | 0,4     | PHS 40-1TB45  |     |               |
|       |        | 48              | 201,42    | 194,06 | B      | 1610           | 12,70      | 41,28 | 25,40 | 76,20  | 7,210                          | 1,8      | 0,4     | PHS 40-1TB48  |     |               |
|       |        | 54              | 225,55    | 218,44 | B      | 1610           | 12,70      | 41,28 | 25,40 | 76,20  | 7,210                          | 2,2      | 0,4     | PHS 40-1TB54  |     |               |
|       |        | 60              | 249,94    | 242,57 | B      | 1610           | 12,70      | 41,28 | 25,40 | 76,20  | 7,210                          | 2,7      | 0,4     | PHS 40-1TB60  |     |               |
|       |        | 70              | 290,32    | 282,96 | B      | 2012           | 19,05      | 50,80 | 31,75 | 90,49  | 7,210                          | 3,7      | 0,8     | PHS 40-1TB70  |     |               |
|       |        | 72              | 298,45    | 291,08 | B      | 2012           | 19,05      | 50,80 | 31,75 | 90,49  | 7,210                          | 4,1      | 0,8     | PHS 40-1TB72  |     |               |
|       |        | 80              | 330,96    | 323,60 | B      | 2012           | 19,05      | 50,80 | 31,75 | 90,49  | 7,210                          | 4,9      | 0,8     | PHS 40-1TB80  |     |               |
|       |        | 84              | 346,96    | 339,60 | B      | 2012           | 19,05      | 50,80 | 31,75 | 90,49  | 7,210                          | 5,1      | 0,8     | PHS 40-1TB84  |     |               |
|       |        | 96              | 395,48    | 388,11 | B      | 2012           | 19,05      | 50,80 | 31,75 | 90,49  | 7,210                          | 6,6      | 0,8     | PHS 40-1TB96  |     |               |
|       |        | 112             | 460,25    | 452,88 | B      | 2517           | 19,05      | 63,50 | 44,45 | 107,95 | 7,210                          | 9,3      | 0,8     | PHS 40-1TB112 |     |               |
|       |        | 15,88           | 5/8       | 12     | 68,83  | 61,47          | B          | 1008  | 9,53  | 25,40  | 22,23                          | 49,21    | 8,710   | 0,2           | 0,1 | PHS 50-1TBH12 |
|       |        |                 |           | 13     | 73,91  | 66,29          | B          | 1008  | 9,53  | 25,40  | 22,23                          | 46,04    | 8,710   | 0,2           | 0,1 | PHS 50-1TBH13 |
|       |        |                 |           | 14     | 78,99  | 71,37          | B          | 1008  | 9,53  | 25,40  | 22,23                          | 49,21    | 8,710   | 0,3           | 0,1 | PHS 50-1TBH14 |
|       |        |                 |           | 15     | 84,07  | 76,45          | B          | 1210  | 15,88 | 31,75  | 25,40                          | 62,71    | 8,710   | 0,3           | 0,3 | PHS 50-1TBH15 |
|       |        |                 |           | 16     | 89,41  | 81,28          | B          | 1610  | 12,70 | 41,28  | 25,40                          | 70,64    | 8,710   | 0,3           | 0,4 | PHS 50-1TBH16 |
|       |        |                 |           | 17     | 94,49  | 86,36          | B          | 1610  | 12,70 | 41,28  | 25,40                          | 70,64    | 8,710   | 0,4           | 0,4 | PHS 50-1TBH17 |
|       |        |                 |           | 18     | 99,57  | 91,44          | B          | 1610  | 12,70 | 41,28  | 25,40                          | 70,64    | 8,710   | 0,4           | 0,4 | PHS 50-1TBH18 |
|       |        |                 |           | 19     | 104,65 | 96,52          | B          | 1610  | 12,70 | 41,28  | 25,40                          | 76,20    | 8,710   | 0,6           | 0,4 | PHS 50-1TBH19 |
|       |        |                 |           | 20     | 109,73 | 101,60         | B          | 1610  | 12,70 | 41,28  | 25,40                          | 82,55    | 8,710   | 0,7           | 0,4 | PHS 50-1TBH20 |
|       |        |                 |           | 21     | 114,81 | 106,43         | B          | 1610  | 12,70 | 41,28  | 25,40                          | 76,20    | 8,710   | 0,7           | 0,4 | PHS 50-1TBH21 |
|       |        |                 |           | 22     | 119,89 | 111,51         | B          | 1610  | 12,70 | 41,28  | 25,40                          | 76,20    | 8,710   | 0,7           | 0,4 | PHS 50-1TBH22 |
|       |        |                 |           | 23     | 124,97 | 116,59         | B          | 2012  | 19,05 | 50,80  | 31,75                          | 90,49    | 8,710   | 0,9           | 0,8 | PHS 50-1TBH23 |
| 24    | 130,05 |                 |           | 121,67 | B      | 2012           | 19,05      | 50,80 | 31,75 | 90,49  | 8,710                          | 1,0      | 0,8     | PHS 50-1TBH24 |     |               |
| 25    | 135,13 |                 |           | 126,75 | B      | 2012           | 19,05      | 50,80 | 31,75 | 90,49  | 8,710                          | 1,1      | 0,8     | PHS 50-1TBH25 |     |               |
| 26    | 140,21 |                 |           | 131,57 | B      | 2012           | 19,05      | 50,80 | 31,75 | 90,49  | 8,710                          | 1,1      | 0,8     | PHS 50-1TB26  |     |               |
| 27    | 145,29 |                 |           | 136,65 | B      | 2012           | 19,05      | 50,80 | 31,75 | 90,49  | 8,710                          | 1,2      | 0,8     | PHS 50-1TB27  |     |               |
| 28    | 150,37 |                 |           | 141,73 | B      | 2012           | 19,05      | 50,80 | 31,75 | 90,49  | 8,710                          | 1,3      | 0,8     | PHS 50-1TB28  |     |               |
| 30    | 160,53 |                 |           | 151,89 | B      | 2012           | 19,05      | 50,80 | 31,75 | 90,49  | 8,710                          | 1,5      | 0,8     | PHS 50-1TB30  |     |               |
| 32    | 170,69 |                 |           | 162,05 | B      | 2012           | 19,05      | 50,80 | 31,75 | 90,49  | 8,710                          | 1,6      | 0,8     | PHS 50-1TB32  |     |               |
| 35    | 185,93 |                 |           | 177,04 | B      | 2012           | 19,05      | 50,80 | 31,75 | 90,49  | 8,710                          | 1,9      | 0,8     | PHS 50-1TB35  |     |               |
| 36    | 191,01 |                 |           | 182,12 | B      | 2012           | 19,05      | 50,80 | 31,75 | 90,49  | 8,710                          | 2,0      | 0,8     | PHS 50-1TB36  |     |               |
| 40    | 211,33 |                 |           | 202,44 | B      | 2012           | 19,05      | 50,80 | 31,75 | 90,49  | 8,710                          | 2,4      | 0,8     | PHS 50-1TB40  |     |               |
| 42    | 221,23 |                 |           | 212,34 | B      | 2012           | 19,05      | 50,80 | 31,75 | 90,49  | 8,710                          | 2,7      | 0,8     | PHS 50-1TB42  |     |               |
| 45    | 236,47 |                 |           | 227,58 | B      | 2012           | 19,05      | 50,80 | 31,75 | 90,49  | 8,710                          | 3,0      | 0,8     | PHS 50-1TB45  |     |               |
| 48    | 251,71 |                 |           | 242,82 | B      | 2012           | 19,05      | 50,80 | 31,75 | 90,49  | 8,710                          | 3,3      | 0,8     | PHS 50-1TB48  |     |               |
| 54    | 282,19 |                 |           | 273,05 | B      | 2012           | 19,05      | 50,80 | 31,75 | 90,49  | 8,710                          | 4,1      | 0,8     | PHS 50-1TB54  |     |               |
| 60    | 312,42 |                 |           | 303,28 | B      | 2012           | 19,05      | 50,80 | 31,75 | 90,49  | 8,710                          | 4,9      | 0,8     | PHS 50-1TB60  |     |               |
| 70    | 362,97 |                 |           | 353,82 | B      | 2517           | 19,05      | 63,50 | 44,45 | 82,55  | 8,710                          | 6,4      | 1,6     | PHS 50-1TB70  |     |               |
| 72    | 373,13 |                 |           | 363,98 | B      | 2517           | 19,05      | 63,50 | 44,45 | 82,55  | 8,710                          | 7,0      | 1,6     | PHS 50-1TB72  |     |               |
| 80    | 413,51 |                 |           | 404,37 | B      | 2517           | 19,05      | 63,50 | 44,45 | 82,55  | 8,710                          | 8,9      | 1,6     | PHS 50-1TB80  |     |               |
| 84    | 433,83 |                 |           | 424,43 | B      | 2517           | 19,05      | 63,50 | 44,45 | 82,55  | 8,710                          | 10,2     | 1,6     | PHS 50-1TB84  |     |               |
| 96    | 494,54 |                 |           | 485,14 | B      | 2517           | 19,05      | 63,50 | 44,45 | 82,55  | 8,710                          | 13,2     | 1,6     | PHS 50-1TB96  |     |               |
| 112   | 575,31 |                 |           | 566,17 | B      | 2517           | 19,05      | 63,50 | 44,45 | 82,55  | 8,710                          | 17,6     | 1,6     | PHS 50-1TB112 |     |               |
| 19,05 | 3/4    |                 |           | 11     | 76,20  | 67,56          | B          | 1008  | 9,53  | 25,40  | 22,23                          | 46,04    | 11,660  | 0,3           | 0,1 | PHS 60-1TBH11 |
|       |        |                 |           | 12     | 82,55  | 73,66          | B          | 1008  | 9,53  | 25,40  | 22,23                          | 49,21    | 11,660  | 0,4           | 0,1 | PHS 60-1TBH12 |
|       |        |                 |           | 13     | 88,65  | 79,50          | B          | 1210  | 15,88 | 31,75  | 25,40                          | 62,71    | 11,660  | 0,4           | 0,3 | PHS 60-1TBH13 |
|       |        |                 |           | 14     | 95,00  | 85,60          | B          | 1210  | 15,88 | 31,75  | 25,40                          | 62,71    | 11,660  | 0,5           | 0,3 | PHS 60-1TBH14 |
|       |        |                 |           | 15     | 101,09 | 91,69          | B          | 1610  | 12,70 | 41,28  | 25,40                          | 70,64    | 11,660  | 0,5           | 0,4 | PHS 60-1TBH15 |
|       |        |                 |           | 16     | 107,19 | 97,54          | B          | 1610  | 12,70 | 41,28  | 25,40                          | 76,20    | 11,660  | 0,6           | 0,4 | PHS 60-1TBH16 |
|       |        |                 |           | 17     | 113,28 | 103,63         | B          | 1610  | 12,70 | 41,28  | 25,40                          | 82,55    | 11,660  | 0,8           | 0,4 | PHS 60-1TBH17 |
|       |        |                 |           | 18     | 119,38 | 109,73         | B          | 1610  | 12,70 | 41,28  | 25,40                          | 82,55    | 11,660  | 0,9           | 0,4 | PHS 60-1TBH18 |
|       |        |                 |           | 19     | 125,73 | 115,82         | B          | 1610  | 12,70 | 41,28  | 25,40                          | 82,55    | 11,660  | 1,0           | 0,4 | PHS 60-1TBH19 |
|       |        | 20              | 131,57    | 121,67 | B      | 2012           | 19,05      | 50,80 | 31,75 | 90,49  | 11,660                         | 1,0      | 0,8     | PHS 60-1TBH20 |     |               |

All Type B or C sprockets, up to and including 25 tooth, are with hardened teeth as standard.  
 For any additional size sprockets with hardened teeth, add "H" before the number of teeth, e.g. PHS 35-1TBH18.

# ANSI sprockets, simplex, taper bushed

ANSI 60-1 · 19,05 mm (3/4") pitch | ANSI 80-1 · 25,40 mm (1") pitch | ANSI 100-1 · 31,75 mm (1 1/4") pitch



| Pitch | Number of teeth | Diameters  |          | Type   | Bushing number | Dimensions |           |        |        | Plate thickness $t_1$ | Mass Rim | Bushing      | Designation   |                |
|-------|-----------------|------------|----------|--------|----------------|------------|-----------|--------|--------|-----------------------|----------|--------------|---------------|----------------|
|       |                 | Outside OD | Pitch PD |        |                | Bore Min.  | Bore Max. | L      | H      |                       |          |              |               |                |
| mm    | in.             | mm         | mm       | -      | -              | mm         | mm        | mm     | mm     | mm                    | kg       | -            | -             |                |
| 19,05 | 3/4             | 21         | 137,92   | 127,76 | B              | 2012       | 19,05     | 50,80  | 31,75  | 90,49                 | 11,660   | 1,1          | 0,8           | PHS 60-1TBH21  |
|       |                 | 22         | 144,02   | 133,86 | B              | 2012       | 19,05     | 50,80  | 31,75  | 90,49                 | 11,660   | 1,3          | 0,8           | PHS 60-1TBH22  |
|       |                 | 23         | 150,11   | 139,95 | B              | 2012       | 19,05     | 50,80  | 31,75  | 90,49                 | 11,660   | 1,4          | 0,8           | PHS 60-1TBH23  |
|       |                 | 24         | 156,21   | 146,05 | B              | 2012       | 19,05     | 50,80  | 31,75  | 90,49                 | 11,660   | 1,5          | 0,8           | PHS 60-1TBH24  |
|       |                 | 25         | 162,31   | 151,89 | B              | 2012       | 19,05     | 50,80  | 31,75  | 90,49                 | 11,660   | 1,7          | 0,8           | PHS 60-1TBH25  |
|       | -               | 26         | 168,40   | 157,99 | B              | 2012       | 19,05     | 50,80  | 31,75  | 90,49                 | 11,660   | 1,8          | 0,8           | PHS 60-1TB26   |
|       |                 | 27         | 174,50   | 163,07 | B              | 2012       | 19,05     | 50,80  | 31,75  | 90,49                 | 11,660   | 1,9          | 0,8           | PHS 60-1TB27   |
|       |                 | 28         | 180,59   | 170,18 | B              | 2012       | 19,05     | 50,80  | 31,75  | 90,49                 | 11,660   | 2,1          | 0,8           | PHS 60-1TB28   |
|       |                 | 30         | 192,79   | 182,12 | B              | 2012       | 19,05     | 50,80  | 31,75  | 90,49                 | 11,660   | 2,4          | 0,8           | PHS 60-1TB30   |
|       |                 | 32         | 204,72   | 194,31 | B              | 2012       | 19,05     | 50,80  | 31,75  | 90,49                 | 11,660   | 2,5          | 0,8           | PHS 60-1TB32   |
|       |                 | 35         | 223,01   | 212,60 | B              | 2012       | 19,05     | 50,80  | 31,75  | 90,49                 | 11,660   | 2,9          | 0,8           | PHS 60-1TB35   |
|       |                 | 36         | 229,11   | 218,69 | B              | 2012       | 19,05     | 50,80  | 31,75  | 90,49                 | 11,660   | 3,0          | 0,8           | PHS 60-1TB36   |
|       |                 | 40         | 253,49   | 242,82 | B              | 2012       | 19,05     | 50,80  | 31,75  | 90,49                 | 11,660   | 3,8          | 0,8           | PHS 60-1TB40   |
|       |                 | 42         | 265,68   | 255,02 | B              | 2012       | 19,05     | 50,80  | 31,75  | 90,49                 | 11,660   | 4,5          | 0,8           | PHS 60-1TB42   |
|       |                 | 45         | 283,97   | 273,05 | B              | 2012       | 19,05     | 50,80  | 31,75  | 90,49                 | 11,660   | 5,2          | 0,8           | PHS 60-1TB45   |
|       |                 | 48         | 302,01   | 291,34 | B              | 2012       | 19,05     | 50,80  | 31,75  | 90,49                 | 11,660   | 6,0          | 0,8           | PHS 60-1TB48   |
|       |                 | 54         | 338,58   | 327,66 | B              | 2517       | 19,05     | 63,50  | 44,45  | 107,95                | 11,660   | 7,8          | 1,6           | PHS 60-1TB54   |
|       |                 | 60         | 374,90   | 363,98 | B              | 2517       | 19,05     | 63,50  | 44,45  | 107,95                | 11,660   | 9,5          | 1,6           | PHS 60-1TB60   |
|       |                 | 70         | 435,61   | 424,69 | B              | 2517       | 19,05     | 63,50  | 44,45  | 107,95                | 11,660   | 12,5         | 1,6           | PHS 60-1TB70   |
|       |                 | 72         | 447,80   | 436,63 | B              | 2517       | 19,05     | 63,50  | 44,45  | 107,95                | 11,660   | 13,6         | 1,6           | PHS 60-1TB72   |
| 80    | 496,32          | 485,14     | B        | 2517   | 19,05          | 63,50      | 44,45     | 107,95 | 11,660 | 16,5                  | 1,6      | PHS 60-1TB80 |               |                |
| 84    | 520,45          | 509,52     | B        | 2517   | 19,05          | 63,50      | 44,45     | 107,95 | 11,660 | 18,4                  | 1,6      | PHS 60-1TB84 |               |                |
| 25,40 | 1               | 10         | 93,47    | 82,30  | B              | 1215       | 15,88     | 31,75  | 38,10  | 60,33                 | 14,600   | 0,5          | 0,4           | PHS 80-1TBH10  |
|       |                 | 11         | 101,85   | 90,17  | B              | 1215       | 15,88     | 31,75  | 38,10  | 62,71                 | 14,600   | 0,7          | 0,4           | PHS 80-1TBH11  |
|       |                 | 12         | 109,98   | 98,04  | B              | 1615       | 12,70     | 41,28  | 38,10  | 76,20                 | 14,600   | 0,8          | 0,5           | PHS 80-1TBH12  |
|       |                 | 13         | 118,36   | 106,17 | B              | 1615       | 12,70     | 41,28  | 38,10  | 76,20                 | 14,600   | 1,0          | 0,5           | PHS 80-1TBH13  |
|       |                 | 14         | 126,49   | 114,05 | B              | 1615       | 12,70     | 41,28  | 38,10  | 82,55                 | 14,600   | 1,1          | 0,5           | PHS 80-1TBH14  |
|       |                 | 15         | 134,62   | 122,17 | B              | 1615       | 12,70     | 41,28  | 38,10  | 82,55                 | 14,600   | 1,2          | 0,5           | PHS 80-1TBH15  |
|       |                 | 16         | 143,00   | 130,30 | B              | 2012       | 19,05     | 50,80  | 31,75  | 90,49                 | 14,600   | 1,3          | 0,8           | PHS 80-1TBH16  |
|       |                 | 17         | 151,13   | 138,18 | B              | 2012       | 19,05     | 50,80  | 31,75  | 90,49                 | 14,600   | 1,4          | 0,8           | PHS 80-1TBH17  |
|       |                 | 18         | 159,26   | 146,30 | B              | 2012       | 19,05     | 50,80  | 31,75  | 90,49                 | 14,600   | 1,2          | 0,8           | PHS 80-1TBH18  |
|       |                 | 19         | 167,39   | 154,43 | B              | 2012       | 19,05     | 50,80  | 31,75  | 90,49                 | 14,600   | 1,9          | 0,8           | PHS 80-1TBH19  |
|       |                 | 20         | 175,51   | 162,31 | B              | 2517       | 19,05     | 63,50  | 44,45  | 107,95                | 14,600   | 2,5          | 0,8           | PHS 80-1TBH20  |
|       |                 | 21         | 183,90   | 170,43 | B              | 2517       | 19,05     | 63,50  | 44,45  | 107,95                | 14,600   | 2,7          | 1,6           | PHS 80-1TBH21  |
|       |                 | 22         | 191,77   | 178,56 | B              | 2517       | 19,05     | 63,50  | 44,45  | 107,95                | 14,600   | 3,0          | 1,6           | PHS 80-1TBH22  |
|       |                 | 23         | 200,15   | 186,44 | B              | 2517       | 19,05     | 63,50  | 44,45  | 107,95                | 14,600   | 3,2          | 1,6           | PHS 80-1TBH23  |
|       | 24              | 208,28     | 194,56   | B      | 2517           | 19,05      | 63,50     | 44,45  | 107,95 | 14,600                | 3,4      | 1,6          | PHS 80-1TBH24 |                |
|       | 25              | 216,41     | 202,69   | B      | 2517           | 19,05      | 63,50     | 44,45  | 107,95 | 14,600                | 3,7      | 1,6          | PHS 80-1TBH25 |                |
|       | 26              | 224,54     | 210,82   | B      | 2517           | 19,05      | 63,50     | 44,45  | 107,95 | 14,600                | 4,0      | 1,6          | PHS 80-1TB26  |                |
|       | 27              | 232,66     | 218,69   | B      | 2517           | 19,05      | 63,50     | 44,45  | 107,95 | 14,600                | 4,1      | 1,6          | PHS 80-1TB27  |                |
|       | 28              | 240,54     | 226,82   | B      | 2517           | 19,05      | 63,50     | 44,45  | 107,95 | 14,600                | 4,3      | 1,6          | PHS 80-1TB28  |                |
|       | 30              | 256,79     | 243,08   | B      | 2517           | 19,05      | 63,50     | 44,45  | 107,95 | 14,600                | 5,2      | 1,6          | PHS 80-1TB30  |                |
| 32    | 273,05          | 259,08     | B        | 2517   | 19,05          | 63,50      | 44,45     | 107,95 | 14,600 | 5,4                   | 1,6      | PHS 80-1TB32 |               |                |
| 35    | 297,43          | 283,46     | B        | 2517   | 19,05          | 63,50      | 44,45     | 107,95 | 14,600 | 6,9                   | 1,6      | PHS 80-1TB35 |               |                |
| 36    | 305,56          | 291,34     | B        | 2517   | 19,05          | 63,50      | 44,45     | 107,95 | 14,600 | 7,7                   | 1,6      | PHS 80-1TB36 |               |                |
| 40    | 338,07          | 323,85     | B        | 2517   | 19,05          | 63,50      | 44,45     | 107,95 | 14,600 | 9,5                   | 1,6      | PHS 80-1TB40 |               |                |
| 45    | 378,46          | 364,24     | B        | 2517   | 19,05          | 63,50      | 44,45     | 107,95 | 14,600 | 12,0                  | 1,6      | PHS 80-1TB45 |               |                |
| 48    | 402,84          | 388,37     | B        | 2517   | 19,05          | 63,50      | 44,45     | 107,95 | 14,600 | 13,4                  | 1,6      | PHS 80-1TB48 |               |                |
| 54    | 451,36          | 436,88     | B        | 2517   | 19,05          | 63,50      | 44,45     | 107,95 | 14,600 | 17,5                  | 1,6      | PHS 80-1TB54 |               |                |
| 60    | 499,87          | 485,39     | B        | 2517   | 19,05          | 63,50      | 44,45     | 107,95 | 14,600 | 20,4                  | 1,6      | PHS 80-1TB60 |               |                |
| 70    | 580,90          | 566,17     | B        | 3020   | 31,75          | 76,20      | 50,80     | 133,35 | 14,600 | 23,7                  | 3,0      | PHS 80-1TB70 |               |                |
| 80    | 661,67          | 646,94     | B        | 3020   | 31,75          | 76,20      | 50,80     | 133,35 | 14,600 | 31,4                  | 3,0      | PHS 80-1TB80 |               |                |
| 31,75 | 1 1/4           | 11         | 127,25   | 112,78 | B              | 1615       | 12,70     | 41,28  | 38,10  | 76,20                 | 17,580   | 1,2          | 0,5           | PHS 100-1TBH11 |

All Type B or C sprockets, up to and including 25 tooth, are with hardened teeth as standard. For any additional size sprockets with hardened teeth, add "H" before the number of teeth, e.g. PHS 35-1TBH18.

## ANSI sprockets, simplex, taper bushed

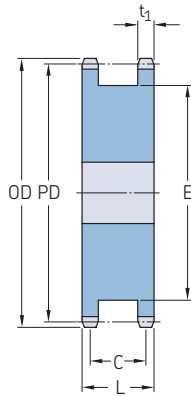
ANSI 100-1 · 31,75 mm (1¼") pitch | ANSI 120-1 · 38,10 mm (1½") pitch | ANSI 140-1 · 44,45 mm (1¾") pitch | ANSI 160-1 · 50,80 mm (2") pitch

| Pitch | Number of teeth | Diameters  |          | Type   | Bushing number | Dimensions |           |        |        | Plate thickness t <sub>1</sub> | Mass Rim | Bushing | Designation    |                |                |
|-------|-----------------|------------|----------|--------|----------------|------------|-----------|--------|--------|--------------------------------|----------|---------|----------------|----------------|----------------|
|       |                 | Outside OD | Pitch PD |        |                | Bore Min.  | Bore Max. | L      | H      |                                |          |         |                |                |                |
| mm    | in.             | –          | mm       | –      | –              | mm         | mm        | mm     | mm     | mm                             | kg       | –       | –              |                |                |
| 31,75 | 1¼              | 12         | 137,67   | 122,68 | B              | 1615       | 12,70     | 41,28  | 38,10  | 82,55                          | 17,580   | 1,6     | 0,5            | PHS 100-1TBH12 |                |
|       |                 | 13         | 147,83   | 132,59 | B              | 2012       | 19,05     | 50,80  | 31,75  | 90,49                          | 17,580   | 1,6     | 0,8            | PHS 100-1TBH13 |                |
|       |                 | 14         | 158,24   | 142,75 | B              | 2012       | 19,05     | 50,80  | 31,75  | 90,49                          | 17,580   | 1,8     | 0,8            | PHS 100-1TBH14 |                |
|       |                 | 15         | 168,40   | 152,65 | B              | 2517       | 19,05     | 63,50  | 44,45  | 107,95                         | 17,580   | 2,3     | 1,6            | PHS 100-1TBH15 |                |
|       | 16              | 178,56     | 162,81   | B      | 2517           | 19,05      | 63,50     | 44,45  | 114,30 | 17,580                         | 2,9      | 1,6     | PHS 100-1TBH16 |                |                |
|       | 17              | 188,98     | 172,72   | B      | 2517           | 19,05      | 63,50     | 44,45  | 114,30 | 17,580                         | 3,2      | 1,6     | PHS 100-1TBH17 |                |                |
|       | 18              | 199,14     | 182,88   | B      | 2517           | 19,05      | 63,50     | 44,45  | 114,30 | 17,580                         | 3,5      | 1,6     | PHS 100-1TBH18 |                |                |
|       | 19              | 209,30     | 192,79   | B      | 2517           | 19,05      | 63,50     | 44,45  | 114,30 | 17,580                         | 4,0      | 1,6     | PHS 100-1TBH19 |                |                |
|       | 20              | 219,46     | 202,95   | B      | 2517           | 19,05      | 63,50     | 44,45  | 114,30 | 17,580                         | 4,4      | 1,6     | PHS 100-1TBH20 |                |                |
|       | 21              | 229,62     | 213,11   | B      | 2517           | 19,05      | 63,50     | 44,45  | 114,30 | 17,580                         | 4,8      | 1,6     | PHS 100-1TBH21 |                |                |
|       | 22              | 239,78     | 223,01   | B      | 2517           | 19,05      | 63,50     | 44,45  | 114,30 | 17,580                         | 5,0      | 1,6     | PHS 100-1TBH22 |                |                |
|       | 24              | 260,10     | 243,33   | B      | 2517           | 19,05      | 63,50     | 44,45  | 114,30 | 17,580                         | 5,9      | 1,6     | PHS 100-1TBH24 |                |                |
|       | 26              | 280,42     | 263,40   | B      | 2517           | 19,05      | 63,50     | 44,45  | 114,30 | 17,580                         | 6,8      | 1,6     | PHS 100-1TB26  |                |                |
|       | 28              | 300,74     | 283,46   | B      | 3020           | 31,75      | 76,20     | 50,80  | 133,35 | 17,580                         | 7,5      | 3,0     | PHS 100-1TB28  |                |                |
|       | 30              | 321,06     | 303,78   | B      | 3020           | 31,75      | 76,20     | 50,80  | 133,35 | 17,580                         | 10,0     | 3,0     | PHS 100-1TB30  |                |                |
|       | 32              | 341,38     | 323,85   | B      | 3020           | 31,75      | 76,20     | 50,80  | 133,35 | 17,580                         | 10,4     | 3,0     | PHS 100-1TB32  |                |                |
|       | 35              | 371,86     | 354,33   | B      | 3020           | 31,75      | 76,20     | 50,80  | 133,35 | 17,580                         | 12,7     | 3,0     | PHS 100-1TB35  |                |                |
|       | 36              | 382,02     | 364,24   | B      | 3020           | 31,75      | 76,20     | 50,80  | 133,35 | 17,580                         | 14,1     | 3,0     | PHS 100-1TB36  |                |                |
|       | 40              | 422,40     | 404,62   | B      | 3020           | 31,75      | 76,20     | 50,80  | 133,35 | 17,580                         | 16,8     | 3,0     | PHS 100-1TB40  |                |                |
|       | 45              | 473,20     | 455,17   | B      | 3020           | 31,75      | 76,20     | 50,80  | 133,35 | 17,580                         | 20,9     | 3,0     | PHS 100-1TB45  |                |                |
|       | 48              | 503,43     | 485,39   | B      | 3020           | 31,75      | 76,20     | 50,80  | 133,35 | 17,580                         | 24,0     | 3,0     | PHS 100-1TB48  |                |                |
|       | 54              | 564,13     | 546,10   | B      | 3020           | 31,75      | 76,20     | 50,80  | 133,35 | 17,580                         | 28,1     | 3,0     | PHS 100-1TB54  |                |                |
|       | 60              | 624,84     | 606,55   | B      | 3020           | 31,75      | 76,20     | 50,80  | 133,35 | 17,580                         | 32,7     | 3,0     | PHS 100-1TB60  |                |                |
|       | 38,10           | 1½         | 12       | 165,10 | 147,32         | B          | 2012      | 19,05  | 50,80  | 31,75                          | 90,49    | 23,470  | 2,5            | 0,8            | PHS 120-1TBH12 |
|       |                 |            | 13       | 175,26 | 159,26         | B          | 2517      | 19,05  | 63,50  | 44,45                          | 107,95   | 23,470  | 2,7            | 1,6            | PHS 120-1TBH13 |
|       |                 |            | 14       | 189,74 | 171,20         | B          | 2517      | 19,05  | 63,50  | 44,45                          | 107,95   | 23,470  | 3,2            | 1,6            | PHS 120-1TBH14 |
|       |                 |            | 15       | 202,18 | 183,13         | B          | 2517      | 19,05  | 63,50  | 44,45                          | 107,95   | 23,470  | 3,6            | 1,6            | PHS 120-1TBH15 |
|       |                 | 16         | 214,38   | 195,33 | B              | 3020       | 31,75     | 76,20  | 50,80  | 133,35                         | 23,470   | 4,5     | 3,0            | PHS 120-1TBH16 |                |
|       |                 | 17         | 226,57   | 207,26 | B              | 3020       | 31,75     | 76,20  | 50,80  | 133,35                         | 23,470   | 5,0     | 3,0            | PHS 120-1TBH17 |                |
|       |                 | 18         | 239,01   | 219,46 | B              | 3020       | 31,75     | 76,20  | 50,80  | 133,35                         | 23,470   | 5,4     | 3,0            | PHS 120-1TBH18 |                |
|       |                 | 19         | 251,21   | 231,39 | B              | 3020       | 31,75     | 76,20  | 50,80  | 133,35                         | 23,470   | 6,4     | 3,0            | PHS 120-1TBH19 |                |
|       |                 | 20         | 263,40   | 243,59 | B              | 3020       | 31,75     | 76,20  | 50,80  | 133,35                         | 23,470   | 7,0     | 3,0            | PHS 120-1TBH20 |                |
|       |                 | 21         | 275,59   | 255,52 | B              | 3020       | 31,75     | 76,20  | 50,80  | 133,35                         | 23,470   | 7,9     | 3,0            | PHS 120-1TBH21 |                |
|       |                 | 24         | 312,17   | 291,85 | B              | 3020       | 31,75     | 76,20  | 50,80  | 133,35                         | 23,470   | 10,7    | 3,0            | PHS 120-1TBH24 |                |
|       |                 | 26         | 336,55   | 315,98 | B              | 3020       | 31,75     | 76,20  | 50,80  | 133,35                         | 23,470   | 12,9    | 3,0            | PHS 120-1TB26  |                |
|       |                 | 30         | 385,32   | 364,49 | B              | 3020       | 31,75     | 76,20  | 50,80  | 133,35                         | 23,470   | 15,2    | 3,0            | PHS 120-1TB30  |                |
| 35    |                 | 446,28     | 424,94   | C      | 3020           | 31,75      | 76,20     | 50,80  | 133,35 | 23,470                         | 23,6     | 3,0     | PHS 120-1TB35  |                |                |
| 45    |                 | 567,69     | 546,10   | C      | 3030           | 31,75      | 76,20     | 76,20  | 149,23 | 23,470                         | 37,2     | 4,2     | PHS 120-1TB45  |                |                |
| 60    |                 | 749,81     | 727,96   | C      | 3535           | 38,10      | 88,90     | 88,90  | 165,10 | 23,470                         | 63,5     | 6,4     | PHS 120-1TB60  |                |                |
| 70    |                 | 871,22     | 849,12   | C      | 3535           | 38,10      | 88,90     | 88,90  | 165,10 | 23,470                         | 79,4     | 6,4     | PHS 120-1TB70  |                |                |
| 80    |                 | 992,63     | 970,53   | C      | 3535           | 38,10      | 82,55     | 88,90  | 165,10 | 23,470                         | 99,8     | 6,4     | PHS 120-1TB80  |                |                |
| 44,45 |                 | 1¾         | 12       | 192,53 | 171,70         | B          | 2517      | 19,05  | 63,50  | 44,45                          | 107,95   | 23,470  | 3,2            | 1,6            | PHS 140-1TBH12 |
|       |                 |            | 13       | 207,01 | 185,67         | B          | 3020      | 31,75  | 76,20  | 50,80                          | 133,35   | 23,470  | 3,6            | 3,0            | PHS 140-1TBH13 |
|       |                 |            | 14       | 221,49 | 199,64         | B          | 3020      | 31,75  | 76,20  | 50,80                          | 133,35   | 23,470  | 4,5            | 3,0            | PHS 140-1TBH14 |
|       |                 |            | 15       | 235,71 | 213,87         | B          | 3020      | 31,75  | 76,20  | 50,80                          | 133,35   | 23,470  | 5,4            | 3,0            | PHS 140-1TBH15 |
|       |                 | 16         | 250,19   | 227,84 | B              | 3020       | 31,75     | 76,20  | 50,80  | 133,35                         | 23,470   | 6,4     | 3,0            | PHS 140-1TBH16 |                |
|       |                 | 17         | 264,41   | 241,81 | B              | 3020       | 31,75     | 76,20  | 50,80  | 133,35                         | 23,470   | 7,3     | 3,0            | PHS 140-1TBH17 |                |
|       | 18              | 278,64     | 256,03   | B      | 3020           | 31,75      | 76,20     | 50,80  | 133,35 | 23,470                         | 8,2      | 3,0     | PHS 140-1TBH18 |                |                |
|       | 19              | 293,12     | 270,00   | B      | 3020           | 31,75      | 76,20     | 50,80  | 133,35 | 23,470                         | 9,1      | 3,0     | PHS 140-1TBH19 |                |                |
|       | 21              | 321,56     | 298,20   | B      | 3020           | 31,75      | 76,20     | 50,80  | 133,35 | 23,470                         | 10,9     | 3,0     | PHS 140-1TBH21 |                |                |
|       | 26              | 392,68     | 368,81   | B      | 3020           | 31,75      | 76,20     | 50,80  | 133,35 | 23,470                         | 18,1     | 3,0     | PHS 140-1TB26  |                |                |
|       | 35              | 520,45     | 495,81   | C      | 3535           | 38,10      | 88,90     | 88,90  | 165,10 | 23,470                         | 35,4     | 6,4     | PHS 140-1TB35  |                |                |
|       | 45              | 662,43     | 637,29   | C      | 4040           | 44,45      | 101,60    | 101,60 | 196,85 | 23,470                         | 53,5     | 10,0    | PHS 140-1TB45  |                |                |
|       | 60              | 874,78     | 849,38   | C      | 4040           | 44,45      | 101,60    | 101,60 | 196,85 | 23,470                         | 85,3     | 10,0    | PHS 140-1TB60  |                |                |
|       | 70              | 1016,51    | 990,85   | C      | 4040           | 44,45      | 101,60    | 101,60 | 196,85 | 23,470                         | 109,3    | 10,0    | PHS 140-1TB70  |                |                |
|       | 50,80           | 2          | 11       | 203,45 | 180,34         | B          | 2517      | 19,05  | 63,50  | 44,45                          | 107,95   | 29,360  | 4,1            | 1,6            | PHS 160-1TBH11 |
|       |                 |            | 12       | 219,96 | 196,34         | B          | 3020      | 31,75  | 76,20  | 50,80                          | 133,35   | 29,360  | 5,0            | 3,0            | PHS 160-1TBH12 |
|       |                 |            | 13       | 236,47 | 212,34         | B          | 3020      | 31,75  | 76,20  | 50,80                          | 133,35   | 29,360  | 5,9            | 3,0            | PHS 160-1TBH13 |
|       |                 |            | 14       | 252,98 | 228,35         | B          | 3020      | 31,75  | 76,20  | 50,80                          | 133,35   | 29,360  | 7,3            | 3,0            | PHS 160-1TBH14 |
|       |                 | 15         | 269,49   | 244,35 | B              | 3535       | 38,10     | 88,90  | 88,90  | 165,10                         | 29,360   | 11,3    | 6,4            | PHS 160-1TBH15 |                |
|       |                 | 16         | 286,00   | 260,35 | B              | 3535       | 38,10     | 88,90  | 88,90  | 165,10                         | 29,360   | 12,7    | 6,4            | PHS 160-1TBH16 |                |
| 17    |                 | 302,26     | 276,35   | B      | 3535           | 38,10      | 88,90     | 88,90  | 165,10 | 29,360                         | 14,5     | 6,4     | PHS 160-1TBH17 |                |                |
| 18    |                 | 318,52     | 292,61   | B      | 3535           | 38,10      | 88,90     | 88,90  | 165,10 | 29,360                         | 15,9     | 6,4     | PHS 160-1TBH18 |                |                |
| 19    |                 | 335,03     | 308,61   | B      | 3535           | 38,10      | 88,90     | 88,90  | 165,10 | 29,360                         | 17,7     | 6,4     | PHS 160-1TBH19 |                |                |
| 21    |                 | 367,54     | 340,87   | B      | 3535           | 38,10      | 88,90     | 88,90  | 165,10 | 29,360                         | 21,8     | 6,4     | PHS 160-1TBH21 |                |                |
| 26    |                 | 448,82     | 421,39   | B      | 3535           | 38,10      | 88,90     | 88,90  | 165,10 | 29,360                         | 30,8     | 6,4     | PHS 160-1TB26  |                |                |
| 35    |                 | 594,87     | 566,67   | C      | 4040           | 44,45      | 101,60    | 101,60 | 196,85 | 29,360                         | 53,5     | 6,4     | PHS 160-1TB35  |                |                |
| 45    |                 | 756,92     | 728,22   | C      | 4040           | 44,45      | 101,60    | 101,60 | 196,85 | 29,360                         | 84,4     | 10,0    | PHS 160-1TB45  |                |                |
| 60    |                 | 999,74     | 970,79   | C      | 4545           | 53,98      | 114,30    | 114,30 | 196,85 | 29,360                         | 132,5    | 13,6    | PHS 160-1TB60  |                |                |

All Type B or C sprockets, up to and including 25 tooth, are with hardened teeth as standard.  
For any additional size sprockets with hardened teeth, add "H" before the number of teeth, e.g. PHS 35-1TBH18.

**ANSI sprockets, double simplex, pilot bore**

ANSI 40-1 · 12,70 mm (1/2") pitch | ANSI 50-1 · 15,88 mm (5/8") pitch | ANSI 60-1 · 19,05 mm (3/4") pitch |  
 ANSI 80-1 · 25,40 mm (1") pitch | ANSI 100-1 · 31,75 mm (1 1/4") pitch



Type A

| Pitch | Pitch  | Number of teeth | Diameters |        | Type   | Dimensions |        |       |       |        | Plate thickness t <sub>1</sub> | Mass   | Designation    |     |                |
|-------|--------|-----------------|-----------|--------|--------|------------|--------|-------|-------|--------|--------------------------------|--------|----------------|-----|----------------|
|       |        |                 | Outside   | Pitch  |        | Bore       |        | L     | C     | E      |                                |        |                |     |                |
| mm    | in.    | -               | mm        | mm     | -      | mm         | mm     | mm    | mm    | mm     | mm                             | kg     | -              |     |                |
| 12,70 | 1/2    | 15              | 67,31     | 60,96  | A      | 12,70      | 31,75  | 35,72 | 28,58 | 46,04  | 7,210                          | 0,5    | PHS 40-1DSA15  |     |                |
|       |        | 16              | 71,37     | 65,02  | A      | 12,70      | 31,75  | 35,72 | 28,58 | 50,80  | 7,210                          | 0,6    | PHS 40-1DSA16  |     |                |
|       |        | 17              | 75,69     | 69,09  | A      | 12,70      | 33,34  | 35,72 | 28,58 | 53,98  | 7,210                          | 0,7    | PHS 40-1DSA17  |     |                |
|       |        | 18              | 79,76     | 73,15  | A      | 12,70      | 38,10  | 35,72 | 28,58 | 58,74  | 7,210                          | 0,8    | PHS 40-1DSA18  |     |                |
|       |        | 19              | 83,82     | 77,22  | A      | 15,88      | 42,86  | 35,72 | 28,58 | 63,50  | 7,210                          | 1,0    | PHS 40-1DSA19  |     |                |
|       |        | 20              | 87,88     | 81,28  | A      | 15,88      | 44,45  | 35,72 | 28,58 | 66,68  | 7,210                          | 1,2    | PHS 40-1DSA20  |     |                |
|       |        | 21              | 91,95     | 85,34  | A      | 15,88      | 44,45  | 35,72 | 28,58 | 70,64  | 7,210                          | 1,3    | PHS 40-1DSA21  |     |                |
|       |        | 22              | 96,01     | 89,15  | A      | 15,88      | 46,04  | 35,72 | 28,58 | 74,61  | 7,210                          | 1,4    | PHS 40-1DSA22  |     |                |
|       |        | 23              | 100,08    | 93,22  | A      | 15,88      | 52,39  | 35,72 | 28,58 | 53,18  | 7,210                          | 1,6    | PHS 40-1DSA23  |     |                |
|       |        | 24              | 104,14    | 97,28  | A      | 15,88      | 57,15  | 35,72 | 28,58 | 57,55  | 7,210                          | 1,8    | PHS 40-1DSA24  |     |                |
|       |        | 25              | 108,20    | 101,35 | A      | 15,88      | 57,15  | 35,72 | 28,58 | 61,91  | 7,210                          | 2,0    | PHS 40-1DSA25  |     |                |
|       |        | 15,88           | 5/8       | 15     | 84,33  | 76,45      | A      | 15,88 | 38,10 | 42,07  | 30,16                          | 60,33  | 8,710          | 1,0 | PHS 50-1DSA15  |
|       |        |                 |           | 16     | 89,41  | 81,28      | A      | 15,88 | 42,86 | 42,07  | 33,34                          | 63,50  | 8,710          | 1,1 | PHS 50-1DSA16  |
|       |        |                 |           | 17     | 94,49  | 86,36      | A      | 15,88 | 44,45 | 42,07  | 33,34                          | 68,26  | 8,710          | 1,3 | PHS 50-1DSA17  |
|       |        |                 |           | 18     | 99,57  | 91,44      | A      | 15,88 | 47,63 | 42,07  | 33,34                          | 73,42  | 8,710          | 1,5 | PHS 50-1DSA18  |
|       |        |                 |           | 19     | 104,65 | 96,52      | A      | 15,88 | 52,39 | 42,07  | 33,34                          | 78,18  | 8,710          | 1,7 | PHS 50-1DSA19  |
| 20    | 109,73 |                 |           | 101,60 | A      | 15,88      | 57,15  | 42,07 | 33,34 | 83,34  | 8,710                          | 1,9    | PHS 50-1DSA20  |     |                |
| 21    | 114,81 |                 |           | 106,43 | A      | 15,88      | 57,15  | 42,07 | 33,34 | 88,50  | 8,710                          | 2,2    | PHS 50-1DSA21  |     |                |
| 22    | 119,89 |                 |           | 111,51 | A      | 15,88      | 61,91  | 42,07 | 33,34 | 93,66  | 8,710                          | 2,4    | PHS 50-1DSA22  |     |                |
| 23    | 124,97 |                 |           | 116,59 | A      | 15,88      | 66,68  | 42,07 | 33,34 | 98,82  | 8,710                          | 2,6    | PHS 50-1DSA23  |     |                |
| 24    | 130,05 |                 |           | 121,67 | A      | 15,88      | 69,85  | 42,07 | 33,34 | 103,58 | 8,710                          | 2,9    | PHS 50-1DSA24  |     |                |
| 19,05 | 3/4    |                 |           | 13     | 88,65  | 79,50      | A      | 19,05 | 31,75 | 49,21  | 37,70                          | 59,53  | 11,660         | 1,2 | PHS 60-1DSA13  |
|       |        |                 |           | 14     | 95,00  | 85,60      | A      | 19,05 | 33,34 | 49,21  | 37,70                          | 65,09  | 11,660         | 1,5 | PHS 60-1DSA14  |
|       |        |                 |           | 15     | 101,09 | 91,69      | A      | 19,05 | 38,10 | 49,21  | 37,70                          | 73,03  | 11,660         | 1,7 | PHS 60-1DSA15  |
|       |        |                 |           | 16     | 107,19 | 97,54      | A      | 19,05 | 42,86 | 49,21  | 37,70                          | 77,39  | 11,660         | 2,0 | PHS 60-1DSA16  |
|       |        |                 |           | 17     | 113,28 | 103,63     | A      | 19,05 | 44,45 | 49,21  | 37,70                          | 82,55  | 11,660         | 2,4 | PHS 60-1DSA17  |
|       |        |                 |           | 18     | 119,38 | 109,73     | A      | 19,05 | 47,63 | 49,21  | 37,70                          | 88,90  | 11,660         | 3,0 | PHS 60-1DSA18  |
|       |        | 19              | 125,73    | 115,82 | A      | 19,05      | 52,39  | 49,21 | 37,70 | 94,06  | 11,660                         | 3,1    | PHS 60-1DSA19  |     |                |
|       |        | 20              | 131,83    | 121,67 | A      | 19,05      | 57,15  | 49,21 | 37,70 | 100,41 | 11,660                         | 3,2    | PHS 60-1DSA20  |     |                |
|       |        | 21              | 137,92    | 127,76 | A      | 19,05      | 69,85  | 49,21 | 37,70 | 106,36 | 11,660                         | 3,4    | PHS 60-1DSA21  |     |                |
|       |        | 22              | 144,02    | 133,86 | A      | 19,05      | 69,85  | 49,21 | 37,70 | 112,71 | 11,660                         | 5,0    | PHS 60-1DSA22  |     |                |
|       |        | 23              | 150,11    | 139,95 | A      | 19,05      | 69,85  | 49,21 | 37,70 | 118,27 | 11,660                         | 5,2    | PHS 60-1DSA23  |     |                |
|       |        | 24              | 156,21    | 146,05 | A      | 19,05      | 69,85  | 49,21 | 37,70 | 131,76 | 11,660                         | 5,4    | PHS 60-1DSA24  |     |                |
|       |        | 25,40           | 1         | 13     | 118,36 | 106,17     | A      | 25,40 | 50,80 | 55,56  | 41,28                          | 76,60  | 14,600         | 3,0 | PHS 80-1DSA13  |
|       |        |                 |           | 14     | 126,49 | 114,05     | A      | 25,40 | 57,15 | 55,56  | 41,28                          | 84,93  | 14,600         | 3,5 | PHS 80-1DSA14  |
|       |        |                 |           | 15     | 134,62 | 122,17     | A      | 25,40 | 60,33 | 55,56  | 41,28                          | 96,84  | 14,600         | 4,1 | PHS 80-1DSA15  |
|       |        |                 |           | 16     | 143,00 | 130,30     | A      | 25,40 | 68,26 | 55,56  | 41,28                          | 101,60 | 14,600         | 4,3 | PHS 80-1DSA16  |
| 17    | 151,13 |                 |           | 138,18 | A      | 25,40      | 71,44  | 55,56 | 41,28 | 109,54 | 14,600                         | 4,9    | PHS 80-1DSA17  |     |                |
| 18    | 159,26 |                 |           | 146,30 | A      | 25,40      | 79,38  | 55,56 | 41,28 | 117,87 | 14,600                         | 5,5    | PHS 80-1DSA18  |     |                |
| 19    | 167,39 |                 |           | 154,43 | A      | 25,40      | 82,55  | 55,56 | 41,28 | 125,81 | 14,600                         | 5,8    | PHS 80-1DSA19  |     |                |
| 20    | 175,51 |                 |           | 162,31 | A      | 25,40      | 88,90  | 55,56 | 41,28 | 134,14 | 14,600                         | 6,4    | PHS 80-1DSA20  |     |                |
| 21    | 183,90 |                 |           | 170,43 | A      | 25,40      | 95,25  | 55,56 | 41,28 | 142,08 | 14,600                         | 7,5    | PHS 80-1DSA21  |     |                |
| 22    | 192,02 |                 |           | 178,56 | A      | 25,40      | 98,43  | 55,56 | 41,28 | 150,42 | 14,600                         | 8,4    | PHS 80-1DSA22  |     |                |
| 23    | 200,15 |                 |           | 186,44 | A      | 25,40      | 98,43  | 55,56 | 41,28 | 158,35 | 14,600                         | 9,3    | PHS 80-1DSA23  |     |                |
| 31,75 | 1 1/4  |                 |           | 13     | 147,83 | 132,59     | A      | 25,40 | 63,50 | 68,26  | 50,80                          | 96,04  | 17,580         | 5,1 | PHS 100-1DSA13 |
|       |        |                 |           | 14     | 158,24 | 142,75     | A      | 31,75 | 69,85 | 68,26  | 50,80                          | 106,36 | 17,580         | 6,1 | PHS 100-1DSA14 |
|       |        |                 |           | 15     | 168,40 | 152,65     | A      | 31,75 | 77,79 | 68,26  | 50,80                          | 116,68 | 17,580         | 7,6 | PHS 100-1DSA15 |
|       |        |                 |           | 16     | 178,56 | 162,81     | A      | 31,75 | 82,55 | 68,26  | 50,80                          | 127,00 | 17,580         | 8,8 | PHS 100-1DSA16 |
|       |        |                 |           | 17     | 188,98 | 172,72     | A      | 31,75 | 92,08 | 68,26  | 50,80                          | 137,32 | 17,580         | 9,8 | PHS 100-1DSA17 |
|       |        | 18              | 199,14    | 182,88 | A      | 31,75      | 95,25  | 68,26 | 50,80 | 147,24 | 17,580                         | 10,4   | PHS 100-1DSA18 |     |                |
|       |        | 19              | 209,30    | 192,79 | A      | 31,75      | 106,36 | 68,26 | 50,80 | 157,56 | 17,580                         | 11,3   | PHS 100-1DSA19 |     |                |
|       |        | 20              | 219,46    | 202,95 | A      | 31,75      | 106,36 | 68,26 | 50,80 | 167,88 | 17,580                         | 12,0   | PHS 100-1DSA20 |     |                |

All Type B or C sprockets, up to and including 25 tooth, are with hardened teeth as standard.  
 For any additional size sprockets with hardened teeth, add "H" before the number of teeth, e.g. PHS 40-1DSAH15.

## ANSI sprockets, double simplex, pilot bore

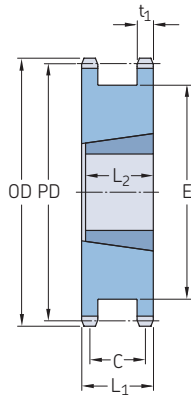
ANSI 100-1 · 31,75 mm (1¼") pitch | ANSI 120-1 · 38,10 mm (1½") pitch | ANSI 140-1 · 44,45 mm (1¾") pitch |  
ANSI 160-1 · 50,80 mm (2") pitch

| Pitch |     | Number of teeth | Diameters |        | Pitch | Type  | Dimensions |        |       |        |        | Plate thickness $t_t$ | Mass           | Designation |
|-------|-----|-----------------|-----------|--------|-------|-------|------------|--------|-------|--------|--------|-----------------------|----------------|-------------|
| Pitch |     |                 | Outside   | Bore   |       |       | L          | C      | E     | Min.   | Max.   |                       |                |             |
| mm    | in. |                 | OD        | PD     |       |       |            |        |       |        |        |                       |                |             |
| 31,75 | 1¼  | 21              | 229,62    | 213,11 | A     | 31,75 | 133,35     | 68,26  | 50,80 | 177,80 | 17,580 | 13,2                  | PHS 100-1DSA21 |             |
| 38,10 | 1½  | 15              | 202,18    | 183,13 | A     | 36,51 | 95,25      | 84,93  | 61,91 | 139,70 | 23,470 | 13,6                  | PHS 120-1DSA15 |             |
|       |     | 16              | 214,38    | 195,33 | A     | 36,51 | 101,60     | 84,93  | 61,91 | 152,40 | 23,470 | 15,4                  | PHS 120-1DSA16 |             |
|       |     | 17              | 226,57    | 207,26 | A     | 36,51 | 112,71     | 84,93  | 61,91 | 164,70 | 23,470 | 16,8                  | PHS 120-1DSA17 |             |
|       |     | 18              | 239,01    | 219,46 | A     | 36,51 | 131,76     | 84,93  | 61,91 | 164,70 | 23,470 | 19,1                  | PHS 120-1DSA18 |             |
|       |     | 19              | 251,21    | 231,39 | A     | 36,51 | 139,70     | 84,93  | 61,91 | 189,31 | 23,470 | 21,3                  | PHS 120-1DSA19 |             |
| 44,45 | 1¾  | 20              | 263,40    | 243,59 | A     | 36,51 | 150,81     | 84,93  | 61,91 | 201,61 | 23,470 | 23,1                  | PHS 120-1DSA20 |             |
|       |     | 14              | 221,49    | 199,64 | A     | 36,51 | 98,43      | 91,68  | 68,26 | 149,23 | 23,470 | 15,9                  | PHS 140-1DSA14 |             |
| 50,80 | 2   | 15              | 235,71    | 213,87 | A     | 36,51 | 112,71     | 91,68  | 68,26 | 163,91 | 23,470 | 19,5                  | PHS 140-1DSA15 |             |
|       |     | 16              | 250,19    | 227,84 | A     | 36,51 | 133,35     | 91,68  | 68,26 | 178,20 | 23,470 | 22,2                  | PHS 140-1DSA16 |             |
|       |     | 17              | 264,41    | 241,81 | A     | 36,51 | 141,29     | 91,68  | 68,26 | 192,48 | 23,470 | 26,3                  | PHS 140-1DSA17 |             |
|       |     | 18              | 278,89    | 256,03 | A     | 36,51 | 155,58     | 91,68  | 68,26 | 206,77 | 23,470 | 29,9                  | PHS 140-1DSA18 |             |
| 50,80 | 2   | 15              | 269,49    | 244,35 | A     | 42,86 | 139,70     | 107,95 | 78,58 | 187,33 | 23,470 | 31,3                  | PHS 160-1DSA15 |             |
|       |     | 16              | 286,00    | 260,35 | A     | 42,86 | 152,40     | 107,95 | 78,58 | 203,60 | 23,470 | 34,0                  | PHS 160-1DSA16 |             |
|       |     | 17              | 302,26    | 276,35 | A     | 42,86 | 165,10     | 107,95 | 78,58 | 219,87 | 23,470 | 41,7                  | PHS 160-1DSA17 |             |
|       |     | 18              | 318,52    | 292,61 | A     | 42,86 | 173,04     | 107,95 | 78,58 | 236,54 | 23,470 | 44,0                  | PHS 160-1DSA18 |             |

All Type B or C sprockets, up to and including 25 tooth, are with hardened teeth as standard.  
For any additional size sprockets with hardened teeth, add "H" before the number of teeth, e.g. PHS 40-1DSAH15.

### ANSI sprockets, double simplex, taper bushed

ANSI 40-1 · 12,70 mm (1/2") pitch | ANSI 50-1 · 15,88 mm (5/8") pitch | ANSI 60-1 · 19,05 mm (3/4") pitch |  
ANSI 80-1 · 25,40 mm (1") pitch | ANSI 100-1 · 31,75 mm (1 1/4") pitch



Type A taper bush

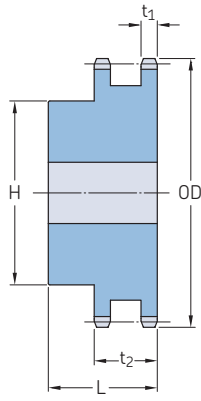
| Pitch | Number of teeth | Diameters  |          | Type   | Bushing number | Dimensions |       | L1    | C     | E     | L2     | Plate thickness t <sub>1</sub> | Mass <sup>1)</sup> | Designation |                  |                  |
|-------|-----------------|------------|----------|--------|----------------|------------|-------|-------|-------|-------|--------|--------------------------------|--------------------|-------------|------------------|------------------|
|       |                 | Outside OD | Pitch PD |        |                | Min.       | Max.  |       |       |       |        |                                |                    |             |                  |                  |
| mm    | in.             | mm         | mm       | -      | -              | mm         | mm    | mm    | mm    | mm    | mm     | mm                             | kg                 | -           |                  |                  |
| 12,70 | 1/2             | 18         | 79,76    | 73,15  | A              | 1215       | 12,70 | 31,75 | 35,72 | 28,58 | 58,74  | 38,10                          | 7,210              | 0,5         | PHS 40-1DSTBH18  |                  |
|       |                 | 19         | 83,82    | 77,22  | A              | 1215       | 12,70 | 31,75 | 35,72 | 28,58 | 63,50  | 38,10                          | 7,210              | 0,5         | PHS 40-1DSTBH19  |                  |
|       |                 | 20         | 87,88    | 81,28  | A              | 1215       | 12,70 | 31,75 | 35,72 | 28,58 | 66,68  | 38,10                          | 7,210              | 0,6         | PHS 40-1DSTBH20  |                  |
|       |                 | 21         | 91,95    | 85,34  | A              | 1615       | 12,70 | 41,28 | 35,72 | 28,58 | 70,64  | 38,10                          | 7,210              | 0,6         | PHS 40-1DSTBH21  |                  |
|       |                 | 23         | 100,08   | 93,22  | A              | 1615       | 12,70 | 41,28 | 35,72 | 28,58 | 78,58  | 38,10                          | 7,210              | 0,7         | PHS 40-1DSTBH23  |                  |
|       |                 | 24         | 104,14   | 97,28  | A              | 1615       | 12,70 | 41,28 | 35,72 | 28,58 | 82,95  | 38,10                          | 7,210              | 0,8         | PHS 40-1DSTBH24  |                  |
|       | 15,88           | 5/8        | 16       | 89,41  | 81,28          | A          | 1215  | 12,70 | 41,28 | 42,07 | 33,34  | 63,10                          | 38,10              | 8,710       | 1,4              | PHS 50-1DSTBH16  |
|       |                 |            | 17       | 94,49  | 86,36          | A          | 1615  | 12,70 | 41,28 | 42,07 | 33,34  | 68,26                          | 38,10              | 8,710       | 0,8              | PHS 50-1DSTBH17  |
|       |                 |            | 18       | 99,57  | 91,44          | A          | 1615  | 12,70 | 41,28 | 42,07 | 33,34  | 73,42                          | 38,10              | 8,710       | 1,0              | PHS 50-1DSTBH18  |
|       |                 |            | 19       | 104,65 | 96,52          | A          | 1615  | 12,70 | 41,28 | 42,07 | 33,34  | 78,18                          | 38,10              | 8,710       | 1,2              | PHS 50-1DSTBH19  |
| 20    |                 |            | 109,73   | 101,60 | A              | 1615       | 12,70 | 41,28 | 42,07 | 33,34 | 83,34  | 38,10                          | 8,710              | 2,3         | PHS 50-1DSTBH20  |                  |
|       |                 | 21         | 114,81   | 106,43 | A              | 2012       | 12,70 | 50,80 | 42,07 | 33,34 | 88,50  | 31,75                          | 8,710              | 1,5         | PHS 50-1DSTBH21  |                  |
|       |                 | 23         | 124,97   | 116,59 | A              | 2012       | 12,70 | 50,80 | 42,07 | 33,34 | 98,82  | 31,75                          | 8,710              | 1,7         | PHS 50-1DSTBH23  |                  |
|       |                 | 24         | 130,05   | 121,67 | A              | 2012       | 12,70 | 50,80 | 42,07 | 33,34 | 103,58 | 31,75                          | 8,710              | 1,9         | PHS 50-1DSTBH24  |                  |
| 19,05 |                 | 3/4        | 16       | 107,19 | 97,54          | A          | 1615  | 12,70 | 41,28 | 49,21 | 37,70  | 75,80                          | 38,10              | 11,660      | 2,0              | PHS 60-1DSTBH16  |
|       |                 |            | 17       | 113,28 | 101,60         | A          | 1615  | 12,70 | 41,28 | 49,21 | 37,70  | 81,76                          | 38,10              | 11,660      | 2,0              | PHS 60-1DSTBH17  |
|       | 18              |            | 119,38   | 109,73 | A              | 2012       | 12,70 | 50,80 | 49,21 | 37,70 | 88,11  | 31,75                          | 11,660             | 2,3         | PHS 60-1DSTBH18  |                  |
|       | 19              |            | 125,73   | 115,82 | A              | 2012       | 12,70 | 50,80 | 49,21 | 37,70 | 94,06  | 31,75                          | 11,660             | 2,6         | PHS 60-1DSTBH19  |                  |
|       | 20              |            | 131,83   | 121,67 | A              | 2517       | 12,70 | 63,50 | 49,21 | 37,70 | 100,41 | 44,45                          | 11,660             | 2,5         | PHS 60-1DSTBH20  |                  |
|       |                 | 21         | 137,92   | 127,76 | A              | 2517       | 12,70 | 63,50 | 49,21 | 37,70 | 106,36 | 44,45                          | 11,660             | 2,9         | PHS 60-1DSTBH21  |                  |
|       |                 | 23         | 150,11   | 139,95 | A              | 2517       | 12,70 | 63,50 | 49,21 | 37,70 | 118,67 | 44,45                          | 11,660             | 3,3         | PHS 60-1DSTBH23  |                  |
|       |                 | 24         | 156,21   | 146,05 | A              | 2517       | 12,70 | 63,50 | 49,21 | 37,70 | 131,76 | 44,45                          | 11,660             | 3,7         | PHS 60-1DSTBH24  |                  |
|       | 25,40           | 1          | 17       | 151,13 | 138,18         | A          | 2517  | 12,70 | 63,50 | 55,56 | 41,28  | 109,54                         | 44,45              | 14,600      | 3,5              | PHS 80-1DSTBH17  |
|       |                 |            | 18       | 159,26 | 146,30         | A          | 2517  | 12,70 | 63,50 | 55,56 | 41,28  | 120,65                         | 44,45              | 14,600      | 4,0              | PHS 80-1DSTBH18  |
| 19    |                 |            | 167,39   | 154,43 | A              | 3020       | 23,81 | 76,20 | 55,56 | 41,28 | 125,81 | 50,80                          | 14,600             | 4,4         | PHS 80-1DSTBH19  |                  |
| 20    |                 |            | 175,51   | 162,31 | A              | 3020       | 23,81 | 76,20 | 55,56 | 41,28 | 134,14 | 50,80                          | 14,600             | 4,5         | PHS 80-1DSTBH20  |                  |
| 21    |                 |            | 183,90   | 170,43 | A              | 3020       | 23,81 | 76,20 | 55,56 | 41,28 | 142,08 | 50,80                          | 14,600             | 5,4         | PHS 80-1DSTBH21  |                  |
|       |                 | 22         | 192,02   | 178,56 | A              | 3020       | 23,81 | 76,20 | 55,56 | 41,28 | 142,08 | 50,80                          | 14,600             | 5,9         | PHS 80-1DSTBH22  |                  |
|       |                 | 23         | 200,15   | 186,44 | A              | 3020       | 23,81 | 76,20 | 55,56 | 41,28 | 158,35 | 50,80                          | 14,600             | 6,6         | PHS 80-1DSTBH23  |                  |
| 31,75 |                 | 1 1/4      | 15       | 168,40 | 152,65         | A          | 2517  | 19,05 | 63,50 | 68,26 | 50,80  | 116,68                         | 44,45              | 17,580      | 5,7              | PHS 100-1DSTBH15 |
|       |                 |            | 16       | 178,56 | 162,81         | A          | 2517  | 19,05 | 63,50 | 68,26 | 50,80  | 127,00                         | 44,45              | 17,580      | 5,9              | PHS 100-1DSTBH16 |
|       |                 |            | 17       | 188,98 | 172,72         | A          | 3020  | 23,81 | 76,20 | 68,26 | 50,80  | 137,32                         | 50,80              | 17,580      | 6,4              | PHS 100-1DSTBH17 |
|       | 18              |            | 199,14   | 182,88 | A              | 3020       | 23,81 | 76,20 | 68,26 | 50,80 | 147,24 | 50,80                          | 17,580             | 7,3         | PHS 100-1DSTBH18 |                  |
|       | 19              |            | 209,30   | 192,79 | A              | 3020       | 23,81 | 76,20 | 68,26 | 50,80 | 157,56 | 50,80                          | 17,580             | 9,1         | PHS 100-1DSTBH19 |                  |
|       |                 | 20         | 219,46   | 202,95 | A              | 3020       | 23,81 | 76,20 | 68,26 | 50,80 | 167,88 | 44,45                          | 17,580             | 12,5        | PHS 100-1DSTBH20 |                  |
|       |                 | 21         | 229,62   | 213,11 | A              | 3020       | 23,81 | 76,20 | 68,26 | 50,80 | 177,80 | 50,80                          | 17,580             | 12,5        | PHS 100-1DSTBH21 |                  |

<sup>1)</sup> Mass for rim only

All Type B or C sprockets, up to and including 25 tooth, are with hardened teeth as standard.  
For any additional size sprockets with hardened teeth, add "H" before the number of teeth, e.g. PHS 40-1DSTBH18.

# ANSI sprockets, duplex, pilot bore

ANSI 35-2 · 9,53 mm (3/8") pitch | ANSI 40-2 · 12,70 mm (1/2") pitch



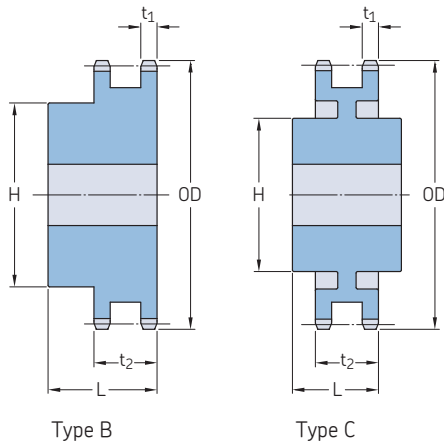
Type B

| Pitch | Number of teeth | Outside diameter | Type  | Dimensions |       |       |        | Plate thickness |                | Mass   | Designation  |              |
|-------|-----------------|------------------|-------|------------|-------|-------|--------|-----------------|----------------|--------|--------------|--------------|
|       |                 |                  |       | Bore       |       | H     | L      | t <sub>1</sub>  | t <sub>2</sub> |        |              |              |
|       |                 | OD               |       | Min.       | Max.  |       |        |                 |                |        |              |              |
| mm    | in.             | mm               | -     | mm         | mm    | mm    | mm     | mm              | mm             | kg     | -            |              |
| 9,53  | 3/8             | 12               | B     | 12,70      | 14,29 | 25,00 | 31,75  | 4,110           | 14,250         | 0,15   | PHS 35-2BH12 |              |
|       |                 | 13               | B     | 12,70      | 17,46 | 28,18 | 31,75  | 4,110           | 14,250         | 0,16   | PHS 35-2BH13 |              |
|       |                 | 14               | B     | 12,70      | 22,23 | 31,75 | 31,75  | 4,110           | 14,250         | 0,20   | PHS 35-2BH14 |              |
|       |                 | 15               | B     | 12,70      | 23,81 | 35,72 | 31,75  | 4,110           | 14,250         | 0,25   | PHS 35-2BH15 |              |
|       |                 | 16               | B     | 12,70      | 23,81 | 37,31 | 31,75  | 4,110           | 14,250         | 0,29   | PHS 35-2BH16 |              |
|       |                 | 17               | B     | 12,70      | 17,46 | 40,48 | 31,75  | 4,110           | 14,250         | 0,34   | PHS 35-2BH17 |              |
|       | 12,70           | 1/2              | 18    | B          | 12,70 | 20,64 | 43,66  | 31,75           | 4,110          | 14,250 | 0,38         | PHS 35-2BH18 |
|       |                 |                  | 19    | B          | 12,70 | 23,81 | 47,63  | 31,75           | 4,110          | 14,250 | 0,44         | PHS 35-2BH19 |
|       |                 |                  | 20    | B          | 19,05 | 23,81 | 49,21  | 34,93           | 4,110          | 14,250 | 0,49         | PHS 35-2BH20 |
|       |                 |                  | 21    | B          | 19,05 | 34,93 | 52,39  | 34,93           | 4,110          | 14,250 | 0,56         | PHS 35-2BH21 |
|       |                 |                  | 22    | B          | 19,05 | 36,51 | 55,56  | 34,93           | 4,110          | 14,250 | 0,64         | PHS 35-2BH22 |
|       |                 |                  | 23    | B          | 19,05 | 38,10 | 57,15  | 34,93           | 4,110          | 14,250 | 0,70         | PHS 35-2BH23 |
|       |                 |                  | 24    | B          | 19,05 | 38,10 | 57,15  | 34,93           | 4,110          | 14,250 | 0,73         | PHS 35-2BH24 |
|       |                 |                  | 25    | B          | 19,05 | 38,10 | 57,15  | 34,93           | 4,110          | 14,250 | 0,75         | PHS 35-2BH25 |
|       |                 |                  | 26    | B          | 19,05 | 44,45 | 63,50  | 34,93           | 4,110          | 14,250 | 0,90         | PHS 35-2B26  |
|       |                 |                  | 12,70 | 1/2        | 30    | B     | 19,05  | 44,45           | 63,50          | 34,93  | 4,110        | 14,250       |
|       | 36              | B                |       |            | 19,05 | 44,45 | 63,50  | 34,93           | 4,110          | 14,250 | 1,36         | PHS 35-2B36  |
|       | 42              | B                |       |            | 19,05 | 44,45 | 63,50  | 34,93           | 4,110          | 14,250 | 1,72         | PHS 35-2B42  |
|       | 48              | B                |       |            | 19,05 | 44,45 | 63,50  | 34,93           | 4,110          | 14,250 | 2,11         | PHS 35-2B48  |
|       | 52              | B                |       |            | 19,05 | 44,45 | 63,50  | 34,93           | 4,110          | 14,250 | 2,45         | PHS 35-2B52  |
|       | 60              | B                |       |            | 19,05 | 44,45 | 63,50  | 34,93           | 4,110          | 14,250 | 3,10         | PHS 35-2B60  |
|       | 68              | B                |       |            | 19,05 | 60,33 | 88,90  | 38,10           | 4,110          | 14,250 | 4,54         | PHS 35-2B68  |
|       | 72              | B                |       |            | 19,05 | 60,33 | 88,90  | 38,10           | 4,110          | 14,250 | 5,01         | PHS 35-2B72  |
|       | 76              | B                |       |            | 19,05 | 60,33 | 88,90  | 38,10           | 4,110          | 14,250 | 5,42         | PHS 35-2B76  |
|       | 84              | B                |       |            | 19,05 | 60,33 | 88,90  | 38,10           | 4,110          | 14,250 | 6,79         | PHS 35-2B84  |
|       | 12,70           | 1/2              | 95    | B          | 25,40 | 60,33 | 88,90  | 38,10           | 4,110          | 14,250 | 7,90         | PHS 35-2B95  |
| 96    |                 |                  | B     | 25,40      | 60,33 | 88,90 | 38,10  | 4,110           | 14,250         | 8,23   | PHS 35-2B96  |              |
| 102   |                 |                  | B     | 25,40      | 60,33 | 88,90 | 38,10  | 4,110           | 14,250         | 9,04   | PHS 35-2B102 |              |
| 11    |                 |                  | B     | 12,70      | 19,05 | 36,51 | 38,10  | 6,990           | 21,360         | 0,28   | PHS 40-2BH11 |              |
| 12    |                 |                  | B     | 12,70      | 23,81 | 39,69 | 38,10  | 6,990           | 21,360         | 0,34   | PHS 40-2BH12 |              |
| 13    |                 |                  | B     | 12,70      | 25,40 | 38,10 | 38,10  | 6,990           | 21,360         | 0,39   | PHS 40-2BH13 |              |
| 14    |                 |                  | B     | 12,70      | 28,58 | 42,86 | 38,10  | 6,990           | 21,360         | 0,49   | PHS 40-2BH14 |              |
| 15    |                 |                  | B     | 12,70      | 31,75 | 46,04 | 38,10  | 6,990           | 21,360         | 0,56   | PHS 40-2BH15 |              |
| 16    |                 |                  | B     | 15,88      | 34,93 | 50,80 | 38,10  | 6,990           | 21,360         | 0,64   | PHS 40-2BH16 |              |
| 17    |                 |                  | B     | 15,88      | 36,51 | 53,98 | 38,10  | 6,990           | 21,360         | 0,74   | PHS 40-2BH17 |              |
| 18    |                 |                  | B     | 15,88      | 38,10 | 58,74 | 38,10  | 6,990           | 21,360         | 0,87   | PHS 40-2BH18 |              |
| 19    |                 |                  | B     | 15,88      | 44,45 | 63,50 | 38,10  | 6,990           | 21,360         | 1,01   | PHS 40-2BH19 |              |
| 20    |                 |                  | B     | 15,88      | 47,63 | 66,68 | 41,28  | 6,990           | 21,360         | 1,20   | PHS 40-2BH20 |              |
| 21    |                 |                  | B     | 15,88      | 47,63 | 69,85 | 41,28  | 6,990           | 21,360         | 1,33   | PHS 40-2BH21 |              |
| 22    | B               | 15,88            | 47,63 | 73,03      | 41,28 | 6,990 | 21,360 | 1,44            | PHS 40-2BH22   |        |              |              |
| 23    | B               | 15,88            | 50,80 | 76,20      | 41,28 | 6,990 | 21,360 | 1,60            | PHS 40-2BH23   |        |              |              |
| 24    | B               | 15,88            | 57,15 | 82,55      | 41,28 | 6,990 | 21,360 | 1,83            | PHS 40-2BH24   |        |              |              |
| 25    | B               | 15,88            | 57,15 | 82,55      | 41,28 | 6,990 | 21,360 | 1,93            | PHS 40-2BH25   |        |              |              |
| 26    | B               | 15,88            | 57,15 | 82,55      | 41,28 | 6,990 | 21,360 | 2,03            | PHS 40-2B26    |        |              |              |
| 30    | B               | 22,23            | 57,15 | 82,55      | 41,28 | 6,990 | 21,360 | 2,42            | PHS 40-2B30    |        |              |              |
| 35    | B               | 22,23            | 57,15 | 82,55      | 41,28 | 6,990 | 21,360 | 3,08            | PHS 40-2B35    |        |              |              |
| 36    | B               | 23,81            | 63,50 | 95,25      | 41,28 | 6,990 | 21,360 | 3,27            | PHS 40-2B36    |        |              |              |
| 40    | B               | 23,81            | 63,50 | 95,25      | 44,45 | 6,990 | 21,360 | 4,26            | PHS 40-2B40    |        |              |              |
| 42    | B               | 23,81            | 63,50 | 95,25      | 44,45 | 6,990 | 21,360 | 4,63            | PHS 40-2B42    |        |              |              |
| 45    | B               | 23,81            | 63,50 | 95,25      | 44,45 | 6,990 | 21,360 | 5,15            | PHS 40-2B45    |        |              |              |
| 48    | B               | 23,81            | 63,50 | 95,25      | 44,45 | 6,990 | 21,360 | 5,74            | PHS 40-2B48    |        |              |              |
| 52    | B               | 23,81            | 63,50 | 95,25      | 44,45 | 6,990 | 21,360 | 6,56            | PHS 40-2B52    |        |              |              |
| 54    | B               | 23,81            | 63,50 | 95,25      | 44,45 | 6,990 | 21,360 | 7,02            | PHS 40-2B54    |        |              |              |

Maximum bores can accommodate standard keyways. Larger bores are available where a shallow keyway is used or no keyway is required. All Type B or C sprockets, up to and including 25 tooth, are with hardened teeth as standard. For any additional size sprockets with hardened teeth, add "H" before the number of teeth, e.g. PHS 35-2BH12.

**ANSI sprockets, duplex, pilot bore**

ANSI 40-2 · 12,70 mm (1/2") pitch | ANSI 50-2 · 15,88 mm (5/8") pitch | ANSI 60-2 · 19,05 mm (3/4") pitch



| Pitch | Number of teeth | Outside diameter | Type   | Dimensions Bore |       | H      | L      | Plate thickness |                | Mass   | Designation  |              |              |
|-------|-----------------|------------------|--------|-----------------|-------|--------|--------|-----------------|----------------|--------|--------------|--------------|--------------|
|       |                 |                  |        | Min.            | Max.  |        |        | t <sub>1</sub>  | t <sub>2</sub> |        |              |              |              |
| mm    | in.             | mm               | -      | mm              | mm    |        |        |                 |                | kg     | -            |              |              |
| 12,70 | 1/2             | 60               | B      | 249,94          | 23,81 | 63,50  | 95,25  | 44,45           | 6,990          | 21,360 | 8,44         | PHS 40-2B60  |              |
|       |                 | 68               | B      | 282,45          | 30,16 | 69,85  | 107,95 | 53,98           | 6,990          | 21,360 | 11,32        | PHS 40-2B68  |              |
|       |                 | 72               | B      | 298,45          | 30,16 | 69,85  | 107,95 | 53,98           | 6,990          | 21,360 | 12,65        | PHS 40-2B72  |              |
|       |                 | 76               | B      | 314,71          | 30,16 | 69,85  | 107,95 | 53,98           | 6,990          | 21,360 | 13,69        | PHS 40-2B76  |              |
|       | 84              | B                | 346,96 | 30,16           | 69,85 | 107,95 | 53,98  | 6,990           | 21,360         | 16,44  | PHS 40-2B84  |              |              |
|       | 95              | B                | 391,41 | 30,16           | 69,85 | 107,95 | 53,98  | 6,990           | 21,360         | 17,62  | PHS 40-2B95  |              |              |
|       | 96              | B                | 395,48 | 30,16           | 69,85 | 107,95 | 53,98  | 6,990           | 21,360         | 17,92  | PHS 40-2B96  |              |              |
|       | 102             | B                | 419,86 | 30,16           | 69,85 | 107,95 | 53,98  | 6,990           | 21,360         | 19,38  | PHS 40-2B102 |              |              |
|       | 112             | B                | 460,25 | 30,16           | 69,85 | 107,95 | 53,98  | 6,990           | 21,360         | 25,19  | PHS 40-2B112 |              |              |
|       | 15,88           | 5/8              | 11     | B               | 63,50 | 15,88  | 23,81  | 37,31           | 44,45          | 8,430  | 26,540       | 0,44         | PHS 50-2BH11 |
|       |                 |                  | 12     | B               | 68,83 | 15,88  | 28,58  | 42,86           | 44,45          | 8,430  | 26,540       | 0,57         | PHS 50-2BH12 |
|       |                 |                  | 13     | B               | 73,91 | 15,88  | 33,34  | 47,63           | 44,45          | 8,430  | 26,540       | 0,71         | PHS 50-2BH13 |
| 14    |                 |                  | B      | 78,99           | 15,88 | 34,93  | 52,39  | 44,45           | 8,430          | 26,540 | 0,84         | PHS 50-2BH14 |              |
| 15    |                 |                  | B      | 84,33           | 19,05 | 38,10  | 58,74  | 44,45           | 8,430          | 26,540 | 1,01         | PHS 50-2BH15 |              |
| 16    |                 |                  | B      | 89,41           | 19,05 | 44,45  | 63,50  | 44,45           | 8,430          | 26,540 | 1,19         | PHS 50-2BH16 |              |
| 17    |                 |                  | B      | 94,49           | 19,05 | 47,63  | 68,26  | 44,45           | 8,430          | 26,540 | 1,38         | PHS 50-2BH17 |              |
| 18    |                 |                  | B      | 99,57           | 19,05 | 49,21  | 74,61  | 44,45           | 8,430          | 26,540 | 1,62         | PHS 50-2BH18 |              |
| 19    |                 |                  | B      | 104,65          | 25,40 | 53,98  | 79,38  | 44,45           | 8,430          | 26,540 | 1,77         | PHS 50-2BH19 |              |
| 20    |                 |                  | B      | 109,73          | 25,40 | 57,15  | 82,55  | 44,45           | 8,430          | 26,540 | 1,93         | PHS 50-2BH20 |              |
| 21    |                 |                  | B      | 114,81          | 25,40 | 60,33  | 88,90  | 44,45           | 8,430          | 26,540 | 2,22         | PHS 50-2BH21 |              |
| 22    |                 |                  | B      | 119,89          | 25,40 | 60,33  | 90,49  | 47,63           | 8,430          | 26,540 | 2,53         | PHS 50-2BH22 |              |
| 23    |                 | B                | 124,97 | 25,40           | 63,50 | 92,08  | 47,63  | 8,430           | 26,540         | 2,77   | PHS 50-2BH23 |              |              |
| 24    |                 | B                | 130,05 | 25,40           | 63,50 | 92,08  | 47,63  | 8,430           | 26,540         | 2,95   | PHS 50-2BH24 |              |              |
| 25    |                 | B                | 135,13 | 25,40           | 63,50 | 92,08  | 47,63  | 8,430           | 26,540         | 3,15   | PHS 50-2BH25 |              |              |
| 26    |                 | B                | 140,21 | 25,40           | 63,50 | 95,25  | 47,63  | 8,430           | 26,540         | 3,42   | PHS 50-2B26  |              |              |
| 30    |                 | B                | 160,53 | 25,40           | 63,50 | 95,25  | 47,63  | 8,430           | 26,540         | 4,26   | PHS 50-2B30  |              |              |
| 32    |                 | B                | 170,69 | 25,40           | 63,50 | 95,25  | 47,63  | 8,430           | 26,540         | 4,74   | PHS 50-2B32  |              |              |
| 35    |                 | B                | 185,93 | 25,40           | 63,50 | 95,25  | 47,63  | 8,430           | 26,540         | 5,57   | PHS 50-2B35  |              |              |
| 36    |                 | B                | 191,01 | 30,16           | 69,85 | 101,60 | 53,98  | 8,430           | 26,540         | 6,32   | PHS 50-2B36  |              |              |
| 40    |                 | B                | 211,33 | 30,16           | 69,85 | 101,60 | 53,98  | 8,430           | 26,540         | 7,50   | PHS 50-2B40  |              |              |
| 42    |                 | B                | 221,49 | 30,16           | 69,85 | 101,60 | 53,98  | 8,430           | 26,540         | 8,13   | PHS 50-2B42  |              |              |
| 45    |                 | B                | 236,47 | 30,16           | 69,85 | 101,60 | 53,98  | 8,430           | 26,540         | 9,21   | PHS 50-2B45  |              |              |
| 48    |                 | B                | 251,71 | 30,16           | 69,85 | 107,95 | 60,33  | 8,430           | 26,540         | 10,92  | PHS 50-2B48  |              |              |
| 52    |                 | B                | 272,03 | 30,16           | 69,85 | 107,95 | 60,33  | 8,430           | 26,540         | 12,44  | PHS 50-2B52  |              |              |
| 54    |                 | B                | 282,19 | 30,16           | 69,85 | 107,95 | 60,33  | 8,430           | 26,540         | 13,23  | PHS 50-2B54  |              |              |
| 60    |                 | B                | 312,42 | 33,34           | 76,20 | 114,30 | 60,33  | 8,430           | 26,540         | 16,27  | PHS 50-2B60  |              |              |
| 68    |                 | B                | 352,81 | 33,34           | 76,20 | 114,30 | 60,33  | 8,430           | 26,540         | 20,40  | PHS 50-2B68  |              |              |
| 72    |                 | B                | 373,13 | 33,34           | 76,20 | 114,30 | 60,33  | 8,430           | 26,540         | 22,78  | PHS 50-2B72  |              |              |
| 76    |                 | B                | 393,45 | 33,34           | 76,20 | 114,30 | 60,33  | 8,430           | 26,540         | 20,70  | PHS 50-2B76  |              |              |
| 84    |                 | B                | 433,83 | 33,34           | 76,20 | 114,30 | 60,33  | 8,430           | 26,540         | 23,42  | PHS 50-2B84  |              |              |
| 95    |                 | B                | 489,46 | 33,34           | 76,20 | 114,30 | 60,33  | 8,430           | 26,540         | 29,18  | PHS 50-2B95  |              |              |
| 96    |                 | B                | 494,54 | 33,34           | 76,20 | 114,30 | 60,33  | 8,430           | 26,540         | 30,58  | PHS 50-2B96  |              |              |
| 102   |                 | B                | 524,76 | 33,34           | 76,20 | 114,30 | 60,33  | 8,430           | 26,540         | 32,97  | PHS 50-2B102 |              |              |
| 112   |                 | B                | 575,31 | 33,34           | 84,14 | 133,35 | 60,33  | 8,430           | 26,540         | 40,92  | PHS 50-2B112 |              |              |
| 19,05 |                 | 3/4              | 11     | B               | 76,20 | 25,40  | 31,75  | 46,04           | 53,98          | 11,280 | 34,060       | 0,73         | PHS 60-2BH11 |
|       | 12              |                  | B      | 82,55           | 25,40 | 36,51  | 53,98  | 53,98           | 11,280         | 34,060 | 1,00         | PHS 60-2BH12 |              |
|       | 13              |                  | B      | 88,65           | 25,40 | 38,10  | 57,15  | 53,98           | 11,280         | 34,060 | 1,18         | PHS 60-2BH13 |              |
|       | 14              |                  | B      | 95,00           | 25,40 | 44,45  | 63,50  | 53,98           | 11,280         | 34,060 | 1,47         | PHS 60-2BH14 |              |
|       | 15              |                  | B      | 101,09          | 25,40 | 47,63  | 71,44  | 53,98           | 11,280         | 34,060 | 1,80         | PHS 60-2BH15 |              |
|       | 16              | B                | 107,19 | 25,40           | 50,80 | 76,20  | 53,98  | 11,280          | 34,060         | 2,10   | PHS 60-2BH16 |              |              |
|       | 17              | B                | 113,28 | 25,40           | 57,15 | 82,55  | 53,98  | 11,280          | 34,060         | 2,45   | PHS 60-2BH17 |              |              |
|       | 18              | B                | 119,38 | 25,40           | 60,33 | 88,90  | 53,98  | 11,280          | 34,060         | 2,83   | PHS 60-2BH18 |              |              |
|       | 19              | B                | 125,73 | 25,40           | 63,50 | 93,66  | 53,98  | 11,280          | 34,060         | 3,18   | PHS 60-2BH19 |              |              |
|       | 20              | B                | 131,83 | 25,40           | 63,50 | 95,25  | 53,98  | 11,280          | 34,060         | 3,50   | PHS 60-2BH20 |              |              |

Maximum bores can accommodate standard keyways. Larger bores are available where a shallow keyway is used or no keyway is required.  
 All Type B or C sprockets, up to and including 25 tooth, are with hardened teeth as standard.  
 For any additional size sprockets with hardened teeth, add "H" before the number of teeth, e.g. PHS 35-2BH12.



### ANSI sprockets, duplex, pilot bore

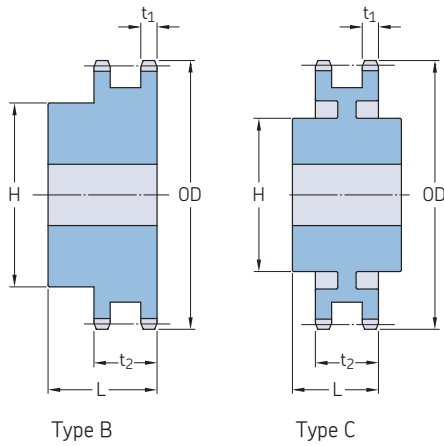
ANSI 60-2 · 19,05 mm (3/4") pitch | ANSI 80-2 · 25,40 mm (1") pitch | ANSI 100-2 · 31,75 mm (1 1/4") pitch |  
ANSI 120-2 · 38,10 mm (1 1/2") pitch

| Pitch | Number of teeth | Outside diameter | Type   | Dimensions |        |        |        | Plate thickness |                | Mass   | Designation |              |             |             |              |               |
|-------|-----------------|------------------|--------|------------|--------|--------|--------|-----------------|----------------|--------|-------------|--------------|-------------|-------------|--------------|---------------|
|       |                 |                  |        | Bore       |        | H      | L      | t <sub>1</sub>  | t <sub>2</sub> |        |             |              |             |             |              |               |
|       |                 |                  |        | Min.       | Max.   |        |        |                 |                |        |             |              |             |             |              |               |
| mm    | in.             | mm               | mm     | mm         | mm     | mm     | mm     | mm              | mm             | kg     | –           |              |             |             |              |               |
| 19,05 | 3/4             | 21               | 137,92 | B          | 25,40  | 69,85  | 104,78 | 53,98           | 11,280         | 34,060 | 4,00        | PHS 60-2BH21 |             |             |              |               |
|       |                 | 22               | 144,02 | B          | 25,40  | 69,85  | 107,95 | 53,98           | 11,280         | 34,060 | 4,39        | PHS 60-2BH22 |             |             |              |               |
|       |                 | 23               | 150,11 | B          | 25,40  | 69,85  | 107,95 | 53,98           | 11,280         | 34,060 | 4,67        | PHS 60-2BH23 |             |             |              |               |
|       |                 | 24               | 156,21 | B          | 25,40  | 69,85  | 107,95 | 53,98           | 11,280         | 34,060 | 5,05        | PHS 60-2BH24 |             |             |              |               |
|       |                 | 25               | 162,31 | B          | 25,40  | 69,85  | 107,95 | 53,98           | 11,280         | 34,060 | 5,42        | PHS 60-2BH25 |             |             |              |               |
|       |                 | 26               | 168,40 | B          | 25,40  | 69,85  | 107,95 | 53,98           | 11,280         | 34,060 | 5,76        | PHS 60-2B26  |             |             |              |               |
|       | 25,40           | 1                | 30     | 192,79     | B      | 25,40  | 69,85  | 107,95          | 53,98          | 11,280 | 34,060      | 7,42         | PHS 60-2B30 |             |              |               |
|       |                 |                  | 32     | 204,98     | B      | 31,75  | 76,20  | 114,30          | 60,33          | 11,280 | 34,060      | 8,85         | PHS 60-2B32 |             |              |               |
|       |                 |                  | 35     | 223,01     | B      | 31,75  | 76,20  | 114,30          | 60,33          | 11,280 | 34,060      | 10,34        | PHS 60-2B35 |             |              |               |
|       |                 |                  | 36     | 229,11     | B      | 31,75  | 76,20  | 114,30          | 60,33          | 11,280 | 34,060      | 10,80        | PHS 60-2B36 |             |              |               |
|       |                 |                  | 40     | 253,49     | B      | 31,75  | 82,55  | 120,65          | 69,85          | 11,280 | 34,060      | 13,99        | PHS 60-2B40 |             |              |               |
|       |                 |                  | 42     | 265,68     | B      | 31,75  | 82,55  | 120,65          | 69,85          | 11,280 | 34,060      | 15,00        | PHS 60-2B42 |             |              |               |
|       |                 | 31,75            | 1 1/4  | 45         | 283,97 | B      | 31,75  | 82,55           | 120,65         | 69,85  | 11,280      | 34,060       | 16,82       | PHS 60-2B45 |              |               |
|       |                 |                  |        | 52         | 326,39 | B      | 31,75  | 82,55           | 120,65         | 69,85  | 11,280      | 34,060       | 22,09       | PHS 60-2B52 |              |               |
|       |                 |                  |        | 60         | 374,90 | B      | 31,75  | 82,55           | 120,65         | 69,85  | 11,280      | 34,060       | 28,62       | PHS 60-2B60 |              |               |
|       |                 |                  |        | 68         | 423,42 | C      | 31,75  | 84,14           | 127,00         | 76,20  | 11,280      | 34,060       | 24,35       | PHS 60-2C68 |              |               |
|       |                 |                  |        | 72         | 447,80 | C      | 31,75  | 84,14           | 127,00         | 76,20  | 11,280      | 34,060       | 24,38       | PHS 60-2C72 |              |               |
|       |                 |                  |        | 76         | 471,93 | C      | 31,75  | 84,14           | 127,00         | 76,20  | 11,280      | 34,060       | 27,34       | PHS 60-2C76 |              |               |
|       |                 |                  | 38,10  | 1 1/2      | 95     | 587,25 | C      | 31,75           | 95,25          | 139,70 | 88,90       | 11,280       | 34,060      | 39,53       | PHS 60-2C95  |               |
|       |                 |                  |        |            | 10     | 93,47  | B      | 25,40           | 38,10          | 65,09  | 69,85       | 14,150       | 43,430      | 1,63        | PHS 80-2BH10 |               |
|       |                 |                  |        |            | 11     | 101,85 | B      | 25,40           | 44,45          | 63,50  | 63,50       | 14,150       | 43,430      | 1,81        | PHS 80-2BH11 |               |
|       |                 |                  |        |            | 12     | 109,98 | B      | 25,40           | 47,63          | 72,23  | 63,50       | 14,150       | 43,430      | 2,31        | PHS 80-2BH12 |               |
|       |                 |                  |        |            | 13     | 118,36 | B      | 25,40           | 57,15          | 80,17  | 63,50       | 14,150       | 43,430      | 2,86        | PHS 80-2BH13 |               |
|       |                 |                  |        |            | 14     | 126,49 | B      | 25,40           | 60,33          | 88,11  | 63,50       | 14,150       | 43,430      | 3,45        | PHS 80-2BH14 |               |
|       |                 |                  |        | 31,75      | 1 1/4  | 15     | 134,62 | B               | 25,40          | 63,50  | 96,44       | 63,50        | 14,150      | 43,430      | 4,08         | PHS 80-2BH15  |
|       |                 |                  |        |            |        | 16     | 143,00 | B               | 25,40          | 69,85  | 101,60      | 69,85        | 14,150      | 43,430      | 4,99         | PHS 80-2BH16  |
|       |                 |                  |        |            |        | 17     | 151,13 | B               | 25,40          | 76,20  | 112,32      | 69,85        | 14,150      | 43,430      | 5,99         | PHS 80-2BH17  |
|       |                 |                  |        |            |        | 18     | 159,26 | B               | 25,40          | 82,55  | 120,25      | 69,85        | 14,150      | 43,430      | 6,80         | PHS 80-2BH18  |
|       |                 |                  |        |            |        | 19     | 167,39 | B               | 25,40          | 84,14  | 127,00      | 69,85        | 14,150      | 43,430      | 7,71         | PHS 80-2BH19  |
|       |                 |                  |        |            |        | 20     | 175,51 | B               | 25,40          | 84,14  | 127,00      | 69,85        | 14,150      | 43,430      | 8,26         | PHS 80-2BH20  |
| 31,75 |                 |                  |        |            | 1 1/4  | 21     | 183,90 | B               | 25,40          | 84,14  | 127,00      | 69,85        | 14,150      | 43,430      | 8,89         | PHS 80-2BH21  |
|       |                 |                  |        |            |        | 22     | 192,02 | B               | 25,40          | 84,14  | 127,00      | 69,85        | 14,150      | 43,430      | 9,53         | PHS 80-2BH22  |
|       |                 |                  |        |            |        | 23     | 200,15 | B               | 25,40          | 84,14  | 127,00      | 69,85        | 14,150      | 43,430      | 10,34        | PHS 80-2BH23  |
|       |                 |                  |        |            |        | 24     | 208,28 | B               | 25,40          | 88,90  | 133,35      | 69,85        | 14,150      | 43,430      | 11,39        | PHS 80-2BH24  |
|       |                 |                  |        |            |        | 25     | 216,41 | B               | 25,40          | 88,90  | 133,35      | 76,20        | 14,150      | 43,430      | 12,84        | PHS 80-2BH25  |
|       |                 |                  |        |            |        | 26     | 224,54 | B               | 25,40          | 88,90  | 133,35      | 76,20        | 14,150      | 43,430      | 13,56        | PHS 80-2B26   |
|       | 31,75           |                  |        |            | 1 1/4  | 30     | 256,79 | B               | 31,75          | 95,25  | 146,05      | 76,20        | 14,150      | 43,430      | 17,92        | PHS 80-2B30   |
|       |                 |                  |        |            |        | 32     | 273,05 | B               | 31,75          | 95,25  | 146,05      | 76,20        | 14,150      | 43,430      | 19,87        | PHS 80-2B32   |
|       |                 |                  |        |            |        | 35     | 297,43 | B               | 31,75          | 95,25  | 146,05      | 76,20        | 14,150      | 43,430      | 22,27        | PHS 80-2B35   |
|       |                 |                  |        |            |        | 36     | 305,56 | B               | 31,75          | 95,25  | 146,05      | 79,38        | 14,150      | 43,430      | 24,58        | PHS 80-2B36   |
|       |                 |                  |        |            |        | 42     | 354,08 | B               | 31,75          | 95,25  | 146,05      | 79,38        | 14,150      | 43,430      | 32,43        | PHS 80-2B42   |
|       |                 |                  |        |            |        | 45     | 378,46 | B               | 31,75          | 95,25  | 146,05      | 79,38        | 14,150      | 43,430      | 33,34        | PHS 80-2B45   |
|       |                 | 31,75            |        |            | 1 1/4  | 52     | 435,10 | C               | 38,10          | 95,25  | 146,05      | 95,25        | 14,150      | 43,430      | 35,56        | PHS 80-2C52   |
|       |                 |                  |        |            |        | 60     | 499,87 | C               | 38,10          | 95,25  | 146,05      | 95,25        | 14,150      | 43,430      | 42,32        | PHS 80-2C60   |
|       |                 |                  |        |            |        | 68     | 564,64 | C               | 38,10          | 96,84  | 152,40      | 101,60       | 14,150      | 43,430      | 43,64        | PHS 80-2C68   |
|       |                 |                  |        |            |        | 76     | 629,41 | C               | 38,10          | 96,84  | 152,40      | 101,60       | 14,150      | 43,430      | 51,26        | PHS 80-2C76   |
|       |                 |                  |        |            |        | 95     | 783,08 | C               | 38,10          | 101,60 | 152,40      | 107,95       | 14,150      | 43,430      | 74,84        | PHS 80-2C95   |
|       |                 |                  |        |            |        | 9      | 106,17 | B               | 25,40          | 41,28  | 60,33       | 73,03        | 16,990      | 52,760      | 2,09         | PHS 100-2BH9  |
|       |                 |                  | 31,75  |            | 1 1/4  | 10     | 116,84 | B               | 25,40          | 47,63  | 69,85       | 73,03        | 16,990      | 52,760      | 2,81         | PHS 100-2BH10 |
|       |                 |                  |        |            |        | 11     | 127,25 | B               | 25,40          | 53,98  | 79,38       | 73,03        | 16,990      | 52,760      | 3,58         | PHS 100-2BH11 |
|       |                 |                  |        |            |        | 12     | 137,67 | B               | 28,58          | 57,15  | 85,73       | 73,03        | 16,990      | 52,760      | 4,22         | PHS 100-2BH12 |
|       |                 |                  |        |            |        | 13     | 147,83 | B               | 28,58          | 63,50  | 96,84       | 73,03        | 16,990      | 52,760      | 5,17         | PHS 100-2BH13 |
|       |                 |                  |        |            |        | 14     | 158,24 | B               | 28,58          | 69,85  | 106,36      | 73,03        | 16,990      | 52,760      | 6,17         | PHS 100-2BH14 |
|       |                 |                  |        |            |        | 15     | 168,40 | B               | 31,75          | 79,38  | 117,48      | 79,38        | 16,990      | 52,760      | 7,76         | PHS 100-2BH15 |
|       |                 |                  |        | 31,75      | 1 1/4  | 16     | 178,56 | B               | 31,75          | 84,14  | 127,00      | 79,38        | 16,990      | 52,760      | 9,12         | PHS 100-2BH16 |
|       |                 |                  |        |            |        | 17     | 188,98 | B               | 31,75          | 88,90  | 133,35      | 79,38        | 16,990      | 52,760      | 10,48        | PHS 100-2BH17 |
|       |                 |                  |        |            |        | 18     | 199,14 | B               | 31,75          | 88,90  | 133,35      | 79,38        | 16,990      | 52,760      | 11,52        | PHS 100-2BH18 |
|       |                 |                  |        |            |        | 19     | 209,30 | B               | 31,75          | 95,25  | 139,70      | 85,73        | 16,990      | 52,760      | 13,43        | PHS 100-2BH19 |
|       |                 |                  |        |            |        | 20     | 219,46 | B               | 31,75          | 95,25  | 139,70      | 85,73        | 16,990      | 52,760      | 14,70        | PHS 100-2BH20 |
|       |                 |                  |        |            |        | 21     | 229,62 | B               | 31,75          | 95,25  | 139,70      | 85,73        | 16,990      | 52,760      | 16,01        | PHS 100-2BH21 |
| 31,75 |                 |                  |        |            | 1 1/4  | 22     | 239,78 | B               | 31,75          | 95,25  | 139,70      | 85,73        | 16,990      | 52,760      | 17,42        | PHS 100-2BH22 |
|       |                 |                  |        |            |        | 23     | 249,94 | B               | 31,75          | 95,25  | 139,70      | 85,73        | 16,990      | 52,760      | 18,73        | PHS 100-2BH23 |
|       |                 |                  |        |            |        | 24     | 260,35 | B               | 31,75          | 95,25  | 146,05      | 85,73        | 16,990      | 52,760      | 20,46        | PHS 100-2BH24 |
|       |                 |                  |        |            |        | 25     | 270,51 | B               | 31,75          | 95,25  | 146,05      | 85,73        | 16,990      | 52,760      | 22,00        | PHS 100-2BH25 |
|       |                 |                  |        |            |        | 26     | 280,67 | B               | 38,10          | 95,25  | 146,05      | 85,73        | 16,990      | 52,760      | 23,36        | PHS 100-2B26  |
|       |                 |                  |        |            |        | 30     | 321,06 | B               | 38,10          | 95,25  | 146,05      | 85,73        | 16,990      | 52,760      | 29,48        | PHS 100-2B30  |
|       | 31,75           |                  |        |            | 1 1/4  | 35     | 371,86 | C               | 38,10          | 96,84  | 152,40      | 107,95       | 16,990      | 52,760      | 34,02        | PHS 100-2C35  |
|       |                 |                  |        |            |        | 45     | 473,20 | C               | 38,10          | 96,84  | 152,40      | 114,30       | 16,990      | 52,760      | 46,72        | PHS 100-2C45  |
|       |                 |                  |        |            |        | 60     | 624,84 | C               | 38,10          | 136,53 | 190,50      | 127,00       | 16,990      | 52,760      | 79,38        | PHS 100-2C60  |
|       |                 |                  |        |            |        | 70     | 725,93 | C               | 38,10          | 136,53 | 190,50      | 127,00       | 16,990      | 52,760      | 89,36        | PHS 100-2C70  |
|       |                 |                  |        |            |        | 80     | 827,28 | C               | 38,10          | 136,53 | 190,50      | 127,00       | 16,990      | 52,760      | 104,78       | PHS 100-2C80  |
|       |                 |                  |        |            |        | 11     | 152,65 | B               | 38,10          | 60,33  | 90,49       | 95,25        | 22,710      | 68,150      | 6,17         | PHS 120-2BH11 |
|       |                 | 38,10            |        |            | 1 1/2  | 12     | 165,10 | B               | 38,10          | 69,85  | 103,19      | 95,25        | 22,710      | 68,150      | 7,85         | PHS 120-2BH12 |

Maximum bores can accommodate standard keyways. Larger bores are available where a shallow keyway is used or no keyway is required.  
All Type B or C sprockets, up to and including 25 tooth, are with hardened teeth as standard.  
For any additional size sprockets with hardened teeth, add "H" before the number of teeth, e.g. PHS 35-2BH12.

**ANSI sprockets, duplex, pilot bore**

ANSI 120-2 · 38,10 mm (1½") pitch | ANSI 140-2 · 44,45 mm (1¾") pitch | ANSI 160-2 · 50,80 mm (2") pitch



| Pitch | Number of teeth | Outside diameter | Type | Dimensions Bore |        | H      | L      | Plate thickness |                | Mass   | Designation   |       |               |
|-------|-----------------|------------------|------|-----------------|--------|--------|--------|-----------------|----------------|--------|---------------|-------|---------------|
|       |                 |                  |      | Min.            | Max.   |        |        | t <sub>1</sub>  | t <sub>2</sub> |        |               |       |               |
| mm    | in.             | mm               | mm   | mm              | mm     | mm     | mm     | mm              | mm             | kg     | mm            |       |               |
| 38,10 | 1½              | 13               | B    | 38,10           | 76,20  | 114,30 | 95,25  | 22,710          | 68,150         | 9,57   | PHS 120-2BH13 |       |               |
|       |                 | 14               | B    | 38,10           | 84,14  | 127,00 | 95,25  | 22,710          | 68,150         | 11,61  | PHS 120-2BH14 |       |               |
|       |                 | 15               | B    | 38,10           | 88,90  | 133,35 | 95,25  | 22,710          | 68,150         | 13,56  | PHS 120-2BH15 |       |               |
|       |                 | 16               | B    | 38,10           | 88,90  | 133,35 | 95,25  | 22,710          | 68,150         | 15,33  | PHS 120-2BH16 |       |               |
|       |                 | 17               | B    | 38,10           | 88,90  | 133,35 | 95,25  | 22,710          | 68,150         | 16,74  | PHS 120-2BH17 |       |               |
|       |                 | 18               | B    | 38,10           | 88,90  | 133,35 | 95,25  | 22,710          | 68,150         | 19,01  | PHS 120-2BH18 |       |               |
|       |                 | 19               | B    | 38,10           | 88,90  | 133,35 | 95,25  | 22,710          | 68,150         | 21,09  | PHS 120-2BH19 |       |               |
|       |                 | 20               | B    | 38,10           | 88,90  | 139,70 | 95,25  | 22,710          | 68,150         | 22,77  | PHS 120-2BH20 |       |               |
|       |                 | 21               | B    | 38,10           | 88,90  | 139,70 | 95,25  | 22,710          | 68,150         | 25,22  | PHS 120-2BH21 |       |               |
|       |                 | 22               | B    | 38,10           | 96,84  | 146,05 | 101,60 | 22,710          | 68,150         | 29,03  | PHS 120-2BH22 |       |               |
|       |                 | 23               | B    | 38,10           | 114,30 | 165,10 | 101,60 | 22,710          | 68,150         | 34,02  | PHS 120-2BH23 |       |               |
|       |                 | 24               | B    | 38,10           | 114,30 | 165,10 | 101,60 | 22,710          | 68,150         | 35,83  | PHS 120-2BH24 |       |               |
|       |                 | 25               | B    | 38,10           | 114,30 | 165,10 | 101,60 | 22,710          | 68,150         | 38,10  | PHS 120-2BH25 |       |               |
|       |                 | 26               | B    | 38,10           | 114,30 | 165,10 | 101,60 | 22,710          | 68,150         | 40,82  | PHS 120-2B26  |       |               |
|       |                 | 30               | B    | 38,10           | 114,30 | 165,10 | 101,60 | 22,710          | 68,150         | 53,98  | PHS 120-2B30  |       |               |
|       |                 | 35               | C    | 38,10           | 136,53 | 190,50 | 152,40 | 22,710          | 71,580         | 67,13  | PHS 120-2C35  |       |               |
|       |                 | 45               | C    | 38,10           | 136,53 | 190,50 | 152,40 | 22,710          | 71,580         | 85,28  | PHS 120-2C45  |       |               |
|       |                 | 60               | C    | 38,10           | 161,93 | 241,30 | 158,75 | 22,710          | 71,580         | 139,25 | PHS 120-2C60  |       |               |
|       |                 | 44,45            | 1¾   | 13              | B      | 41,28  | 84,14  | 127,00          | 95,25          | 22,710 | 71,580        | 13,15 | PHS 140-2BH13 |
|       |                 |                  |      | 14              | B      | 41,28  | 95,25  | 139,70          | 95,25          | 22,710 | 71,580        | 15,79 | PHS 140-2BH14 |
| 15    | B               |                  |      | 41,28           | 114,30 | 165,10 | 95,25  | 22,710          | 71,580         | 19,28  | PHS 140-2BH15 |       |               |
| 16    | B               |                  |      | 41,28           | 133,35 | 177,80 | 101,60 | 22,710          | 71,580         | 21,82  | PHS 140-2BH16 |       |               |
| 17    | B               |                  |      | 41,28           | 133,35 | 177,80 | 101,60 | 22,710          | 71,580         | 26,08  | PHS 140-2BH17 |       |               |
| 18    | B               |                  |      | 44,45           | 133,35 | 177,80 | 101,60 | 22,710          | 71,580         | 29,76  | PHS 140-2BH18 |       |               |
| 19    | B               |                  |      | 44,45           | 133,35 | 177,80 | 101,60 | 22,710          | 71,580         | 32,66  | PHS 140-2BH19 |       |               |
| 20    | B               |                  |      | 44,45           | 133,35 | 177,80 | 101,60 | 22,710          | 71,580         | 34,47  | PHS 140-2BH20 |       |               |
| 21    | B               |                  |      | 44,45           | 133,35 | 177,80 | 101,60 | 22,710          | 71,580         | 37,19  | PHS 140-2BH21 |       |               |
| 22    | B               |                  |      | 44,45           | 133,35 | 177,80 | 101,60 | 22,710          | 71,580         | 42,64  | PHS 140-2BH22 |       |               |
| 23    | B               |                  |      | 44,45           | 133,35 | 177,80 | 101,60 | 22,710          | 71,580         | 45,36  | PHS 140-2BH23 |       |               |
| 24    | B               |                  |      | 44,45           | 133,35 | 177,80 | 101,60 | 22,710          | 71,580         | 47,17  | PHS 140-2BH24 |       |               |
| 25    | B               |                  |      | 44,45           | 133,35 | 177,80 | 101,60 | 22,710          | 71,580         | 54,43  | PHS 140-2BH25 |       |               |
| 26    | B               |                  |      | 44,45           | 133,35 | 177,80 | 101,60 | 22,710          | 71,580         | 58,06  | PHS 140-2B26  |       |               |
| 35    | C               |                  |      | 38,10           | 136,53 | 190,50 | 152,40 | 22,710          | 71,580         | 81,65  | PHS 140-2C35  |       |               |
| 45    | C               |                  |      | 38,10           | 136,53 | 190,50 | 152,40 | 22,710          | 71,580         | 105,23 | PHS 140-2C45  |       |               |
| 60    | C               |                  |      | 38,10           | 161,93 | 241,30 | 158,75 | 22,710          | 71,580         | 168,74 | PHS 140-2C60  |       |               |
| 50,80 | 2               |                  |      | 13              | B      | 50,80  | 101,60 | 152,40          | 120,65         | 28,420 | 86,970        | 21,77 | PHS 160-2BH13 |
|       |                 |                  |      | 14              | B      | 50,80  | 120,65 | 171,45          | 120,65         | 28,420 | 86,970        | 26,31 | PHS 160-2BH14 |
|       |                 |                  |      | 15              | B      | 50,80  | 133,35 | 177,80          | 120,65         | 28,420 | 86,970        | 30,84 | PHS 160-2BH15 |
|       |                 | 16               | B    | 50,80           | 133,35 | 177,80 | 120,65 | 28,420          | 86,970         | 34,02  | PHS 160-2BH16 |       |               |
|       |                 | 17               | B    | 50,80           | 133,35 | 177,80 | 120,65 | 28,420          | 86,970         | 41,28  | PHS 160-2BH17 |       |               |
|       |                 | 18               | B    | 50,80           | 133,35 | 177,80 | 120,65 | 28,420          | 86,970         | 43,54  | PHS 160-2BH18 |       |               |
|       |                 | 19               | B    | 50,80           | 133,35 | 177,80 | 120,65 | 28,420          | 86,970         | 48,53  | PHS 160-2BH19 |       |               |
|       |                 | 20               | B    | 50,80           | 133,35 | 177,80 | 120,65 | 28,420          | 86,970         | 53,98  | PHS 160-2BH20 |       |               |
|       |                 | 21               | B    | 50,80           | 136,53 | 190,50 | 120,65 | 28,420          | 86,970         | 58,97  | PHS 160-2BH21 |       |               |
|       |                 | 22               | B    | 50,80           | 136,53 | 190,50 | 120,65 | 28,420          | 86,970         | 63,96  | PHS 160-2BH22 |       |               |
|       |                 | 23               | B    | 50,80           | 136,53 | 190,50 | 120,65 | 28,420          | 86,970         | 71,21  | PHS 160-2BH23 |       |               |
|       |                 | 24               | B    | 50,80           | 136,53 | 190,50 | 120,65 | 28,420          | 86,970         | 77,56  | PHS 160-2BH24 |       |               |
|       |                 | 25               | B    | 50,80           | 136,53 | 190,50 | 120,65 | 28,420          | 86,970         | 84,82  | PHS 160-2BH25 |       |               |
|       |                 | 26               | B    | 50,80           | 136,53 | 190,50 | 120,65 | 28,420          | 86,970         | 91,17  | PHS 160-2B26  |       |               |
|       |                 | 35               | C    | 38,10           | 171,45 | 241,30 | 168,28 | 28,420          | 86,970         | 138,80 | PHS 160-2C35  |       |               |
|       |                 | 45               | C    | 38,10           | 177,80 | 254,00 | 180,98 | 28,420          | 86,970         | 195,50 | PHS 160-2C45  |       |               |
|       |                 | 60               | C    | 38,10           | 177,80 | 254,00 | 180,98 | 28,420          | 86,970         | 255,83 | PHS 160-2C60  |       |               |

Maximum bores can accommodate standard keyways. Larger bores are available where a shallow keyway is used or no keyway is required. All Type B or C sprockets, up to and including 25 tooth, are with hardened teeth as standard. For any additional size sprockets with hardened teeth, add "H" before the number of teeth, e.g. PHS 35-2BH12.

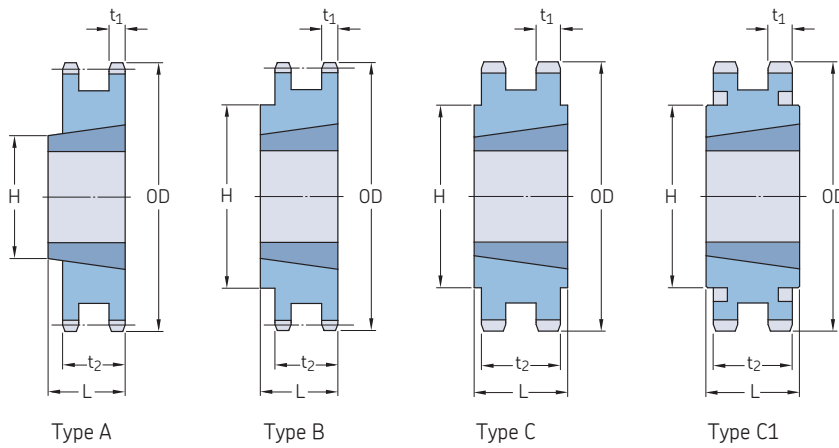
**ANSI sprockets, duplex, pilot bore**  
ANSI 200-2 · 63,50 mm (2½") pitch

| Pitch |     | Number of teeth | Outside diameter<br>OD | Type | Dimensions<br>Bore |        |        |        | Plate thickness |                | Mass   | Designation   |
|-------|-----|-----------------|------------------------|------|--------------------|--------|--------|--------|-----------------|----------------|--------|---------------|
| mm    | in. |                 |                        |      | Min.               | Max.   | H      | L      | t <sub>1</sub>  | t <sub>2</sub> |        |               |
| 63,50 | 2½  | 11              | 254,51                 | B    | 50,80              | 95,25  | 139,70 | 149,23 | 34,140          | 105,690        | 25,85  | PHS 200-2BH11 |
|       |     | 12              | 275,08                 | B    | 50,80              | 114,30 | 165,10 | 158,75 | 34,140          | 105,690        | 36,29  | PHS 200-2BH12 |
|       |     | 13              | 295,66                 | B    | 50,80              | 133,35 | 177,80 | 161,93 | 34,140          | 105,690        | 43,54  | PHS 200-2BH13 |
|       |     | 14              | 316,48                 | B    | 50,80              | 139,70 | 203,20 | 161,93 | 34,140          | 105,690        | 53,98  | PHS 200-2BH14 |
|       |     | 15              | 336,80                 | B    | 50,80              | 146,05 | 215,90 | 161,93 | 34,140          | 105,690        | 62,60  | PHS 200-2BH15 |
|       |     | 16              | 357,38                 | B    | 50,80              | 146,05 | 215,90 | 168,28 | 34,140          | 105,690        | 73,03  | PHS 200-2BH16 |
|       |     | 17              | 377,70                 | B    | 50,80              | 146,05 | 215,90 | 168,28 | 34,140          | 105,690        | 80,74  | PHS 200-2BH17 |
|       |     | 18              | 398,27                 | B    | 50,80              | 146,05 | 215,90 | 168,28 | 34,140          | 105,690        | 88,90  | PHS 200-2BH18 |
|       |     | 19              | 418,59                 | B    | 50,80              | 146,05 | 215,90 | 168,28 | 34,140          | 105,690        | 98,43  | PHS 200-2BH19 |
|       |     | 20              | 439,17                 | B    | 50,80              | 146,05 | 215,90 | 168,28 | 34,140          | 105,690        | 107,05 | PHS 200-2BH20 |
|       |     | 21              | 459,49                 | B    | 50,80              | 146,05 | 215,90 | 168,28 | 34,140          | 105,690        | 113,40 | PHS 200-2BH21 |
|       |     | 22              | 479,81                 | B    | 50,80              | 146,05 | 215,90 | 168,28 | 34,140          | 105,690        | 128,82 | PHS 200-2BH22 |
|       |     | 23              | 500,13                 | B    | 50,80              | 146,05 | 215,90 | 168,28 | 34,140          | 105,690        | 139,71 | PHS 200-2BH23 |
|       |     | 24              | 520,45                 | B    | 50,80              | 146,05 | 215,90 | 168,28 | 34,140          | 105,690        | 149,69 | PHS 200-2BH24 |
|       |     | 25              | 540,77                 | B    | 50,80              | 146,05 | 215,90 | 168,28 | 34,140          | 105,690        | 162,39 | PHS 200-2BH25 |
|       |     | 26              | 561,09                 | B    | 50,80              | 146,05 | 215,90 | 168,28 | 34,140          | 105,690        | 175,09 | PHS 200-2B26  |
|       |     | 45              | 946,15                 | C    | 38,10              | 177,80 | 254,00 | 215,90 | 34,140          | 105,690        | 301,64 | PHS 200-2C45  |
|       |     | 60              | 1249,68                | C    | 38,10              | 177,80 | 254,00 | 228,60 | 34,140          | 105,690        | 440,89 | PHS 200-2C60  |

Maximum bores can accommodate standard keyways. Larger bores are available where a shallow keyway is used or no keyway is required. All Type B or C sprockets, up to and including 25 tooth, are with hardened teeth as standard. For any additional size sprockets with hardened teeth, add "H" before the number of teeth, e.g. PHS 35-2BH12.

**ANSI sprockets, duplex, taper bushed**

ANSI 35-2 · 9,53 mm (3/8") pitch | ANSI 40-2 · 12,70 mm (1/2") pitch | ANSI 50-2 · 15,88 mm (5/8") pitch



| Pitch | Number of teeth | Diameters  |          | Type   | Bushing number | Dimensions Bore |       | Plate thickness |        | Mass Rim | Bushing | Designation |                |                |               |               |
|-------|-----------------|------------|----------|--------|----------------|-----------------|-------|-----------------|--------|----------|---------|-------------|----------------|----------------|---------------|---------------|
|       |                 | Outside OD | Pitch PD |        |                | Min.            | Max.  | L               | H      |          |         |             | t <sub>1</sub> | t <sub>2</sub> |               |               |
| mm    | in.             | mm         | mm       | -      | -              | mm              | mm    | mm              | mm     | kg       | -       | -           |                |                |               |               |
| 9,53  | 3/8             | 19         | 62,74    | 57,91  | B              | 1008            | 9,53  | 25,40           | 22,23  | 46,43    | 4,110   | 14,250      | 0,3            | 0,1            | PHS 35-2TBH19 |               |
|       |                 | 20         | 65,79    | 60,96  | B              | 1008            | 9,53  | 25,40           | 22,23  | 49,21    | 4,110   | 14,250      | 0,4            | 0,1            | PHS 35-2TBH20 |               |
|       |                 | 21         | 68,83    | 64,01  | B              | 1008            | 9,53  | 25,40           | 22,23  | 52,39    | 4,110   | 14,250      | 0,6            | 0,1            | PHS 35-2TBH21 |               |
|       |                 | 22         | 71,88    | 66,80  | B              | 1008            | 9,53  | 25,40           | 22,23  | 55,56    | 4,110   | 14,250      | 0,8            | 0,1            | PHS 35-2TBH22 |               |
|       |                 | 23         | 77,98    | 72,90  | B              | 1210            | 15,88 | 31,75           | 25,40  | 61,91    | 4,110   | 14,250      | 0,8            | 0,3            | PHS 35-2TBH24 |               |
|       | 26              | 84,07      | 78,99    | B      | 1210           | 15,88           | 31,75 | 25,40           | 66,68  | 4,110    | 14,250  | 0,9         | 0,3            | PHS 35-2TB26   |               |               |
|       | 30              | 96,27      | 91,19    | B      | 1610           | 12,70           | 41,28 | 25,40           | 79,38  | 4,110    | 14,250  | 0,8         | 0,4            | PHS 35-2TB30   |               |               |
|       | 32              | 102,36     | 97,28    | B      | 1610           | 12,70           | 41,28 | 25,40           | 82,55  | 4,110    | 14,250  | 0,9         | 0,4            | PHS 35-2TB32   |               |               |
|       | 35              | 111,51     | 106,17   | B      | 1610           | 12,70           | 41,28 | 25,40           | 82,55  | 4,110    | 14,250  | 1,0         | 0,4            | PHS 35-2TB35   |               |               |
|       | 40              | 126,75     | 121,41   | B      | 1610           | 12,70           | 41,28 | 25,40           | 82,55  | 4,110    | 14,250  | 1,3         | 0,4            | PHS 35-2TB40   |               |               |
|       | 45              | 141,99     | 136,65   | B      | 1610           | 12,70           | 41,28 | 25,40           | 82,55  | 4,110    | 14,250  | 1,5         | 0,4            | PHS 35-2TB45   |               |               |
|       | 48              | 151,13     | 145,54   | B      | 1610           | 12,70           | 41,28 | 25,40           | 92,08  | 4,110    | 14,250  | 1,6         | 0,4            | PHS 35-2TB48   |               |               |
|       | 54              | 169,16     | 163,83   | B      | 1610           | 12,70           | 41,28 | 25,40           | 92,08  | 4,110    | 14,250  | 1,8         | 0,4            | PHS 35-2TB54   |               |               |
|       | 60              | 187,45     | 182,12   | B      | 1610           | 12,70           | 41,28 | 25,40           | 92,08  | 4,110    | 14,250  | 2,2         | 0,4            | PHS 35-2TB60   |               |               |
|       | 70              | 217,68     | 212,34   | B      | 1610           | 12,70           | 41,28 | 25,40           | 92,08  | 4,110    | 14,250  | 2,9         | 0,4            | PHS 35-2TB70   |               |               |
|       | 80              | 248,16     | 242,57   | B      | 1610           | 12,70           | 41,28 | 25,40           | 92,08  | 4,110    | 14,250  | 3,6         | 0,4            | PHS 35-2TB80   |               |               |
|       | 96              | 296,67     | 291,08   | B      | 1610           | 12,70           | 41,28 | 25,40           | 92,08  | 4,110    | 14,250  | 4,5         | 0,4            | PHS 35-2TB96   |               |               |
|       | 112             | 345,19     | 339,60   | B      | 1610           | 12,70           | 41,28 | 25,40           | 92,08  | 4,110    | 14,250  | 4,9         | 0,4            | PHS 35-2TB112  |               |               |
|       | 12,70           | 1/2        | 15       | 67,31  | 60,96          | A               | 1008  | 9,53            | 25,40  | 22,23    | 32,15   | 6,990       | 21,360         | 0,2            | 0,1           | PHS 40-2TBH15 |
|       |                 |            | 16       | 71,37  | 65,02          | A               | 1008  | 9,53            | 25,40  | 22,23    | 32,15   | 6,990       | 21,360         | 0,3            | 0,1           | PHS 40-2TBH16 |
| 17    |                 |            | 75,69    | 69,09  | A              | 1008            | 9,53  | 25,40           | 22,23  | 32,15    | 6,990   | 21,360      | 0,3            | 0,1            | PHS 40-2TBH17 |               |
| 18    |                 |            | 79,50    | 73,15  | B              | 1210            | 15,88 | 31,75           | 25,40  | 58,74    | 6,990   | 21,360      | 0,3            | 0,3            | PHS 40-2TBH18 |               |
| 19    |                 |            | 83,82    | 77,22  | B              | 1210            | 15,88 | 31,75           | 25,40  | 63,50    | 6,990   | 21,360      | 0,4            | 0,3            | PHS 40-2TBH19 |               |
| 20    |                 |            | 87,88    | 81,28  | B              | 1610            | 12,70 | 41,28           | 25,40  | 66,68    | 6,990   | 21,360      | 0,4            | 0,4            | PHS 40-2TBH20 |               |
| 21    |                 |            | 91,95    | 85,34  | B              | 1610            | 12,70 | 41,28           | 25,40  | 69,85    | 6,990   | 21,360      | 0,5            | 0,4            | PHS 40-2TBH21 |               |
| 23    |                 |            | 100,08   | 93,22  | B              | 1610            | 12,70 | 41,28           | 25,40  | 76,20    | 6,990   | 21,360      | 0,6            | 0,4            | PHS 40-2TBH23 |               |
| 25    |                 |            | 108,20   | 101,35 | B              | 2012            | 19,05 | 50,80           | 31,75  | 86,52    | 6,990   | 21,360      | 0,7            | 0,8            | PHS 40-2TBH25 |               |
| 30    |                 | 128,52     | 121,41   | B      | 2012           | 19,05           | 50,80 | 31,75           | 107,55 | 6,990    | 21,360  | 1,5         | 0,8            | PHS 40-2TB30   |               |               |
| 36    |                 | 152,65     | 145,80   | B      | 2012           | 19,05           | 50,80 | 31,75           | 130,97 | 6,990    | 21,360  | 2,7         | 0,8            | PHS 40-2TB36   |               |               |
| 42    |                 | 177,04     | 169,93   | C      | 2517           | 19,05           | 63,50 | 44,45           | 107,95 | 6,990    | 21,360  | 3,2         | 1,6            | PHS 40-2TB42   |               |               |
| 48    |                 | 201,42     | 194,06   | C      | 2517           | 19,05           | 63,50 | 44,45           | 107,95 | 6,990    | 21,360  | 4,4         | 1,6            | PHS 40-2TB48   |               |               |
| 52    |                 | 217,68     | 210,31   | C      | 2517           | 19,05           | 63,50 | 44,45           | 107,95 | 6,990    | 21,360  | 5,2         | 1,6            | PHS 40-2TB52   |               |               |
| 60    |                 | 249,94     | 242,57   | C      | 2517           | 19,05           | 63,50 | 44,45           | 107,95 | 6,990    | 21,360  | 7,0         | 1,6            | PHS 40-2TB60   |               |               |
| 68    |                 | 282,45     | 275,08   | C      | 2517           | 19,05           | 63,50 | 44,45           | 107,95 | 6,990    | 21,360  | 9,3         | 1,6            | PHS 40-2TB68   |               |               |
| 76    |                 | 314,71     | 307,34   | C      | 2517           | 19,05           | 63,50 | 44,45           | 107,95 | 6,990    | 21,360  | 11,7        | 1,6            | PHS 40-2TB76   |               |               |
| 84    |                 | 346,96     | 339,60   | C      | 2517           | 19,05           | 63,50 | 44,45           | 107,95 | 6,990    | 21,360  | 14,3        | 1,6            | PHS 40-2TB84   |               |               |
| 95    |                 | 391,41     | 384,05   | C      | 2517           | 19,05           | 63,50 | 44,45           | 107,95 | 6,990    | 21,360  | 15,5        | 1,6            | PHS 40-2TB95   |               |               |
| 102   |                 | 419,86     | 412,50   | C      | 2517           | 19,05           | 63,50 | 44,45           | 107,95 | 6,990    | 21,360  | 16,7        | 1,6            | PHS 40-2TB102  |               |               |
| 15,88 | 5/8             | 14         | 78,99    | 71,37  | A              | 1008            | 9,53  | 25,40           | 22,23  | -        | 8,430   | 26,540      | 0,4            | 0,1            | PHS 50-2TBH14 |               |
|       |                 | 15         | 84,07    | 76,45  | A              | 1210            | 15,88 | 31,75           | 25,40  | -        | 8,430   | 26,540      | 0,4            | 0,3            | PHS 50-2TBH15 |               |
|       |                 | 16         | 89,41    | 81,28  | A              | 1210            | 15,88 | 31,75           | 25,40  | -        | 8,430   | 26,540      | 0,5            | 0,3            | PHS 50-2TBH16 |               |
|       |                 | 17         | 94,49    | 86,61  | A              | 1610            | 12,70 | 41,28           | 25,40  | -        | 8,430   | 26,540      | 0,5            | 0,3            | PHS 50-2TBH17 |               |
|       |                 | 18         | 99,57    | 91,44  | A              | 1610            | 12,70 | 41,28           | 25,40  | -        | 8,430   | 26,540      | 0,6            | 0,4            | PHS 50-2TBH18 |               |
|       |                 | 19         | 104,65   | 96,52  | A              | 1610            | 12,70 | 41,28           | 25,40  | -        | 8,430   | 26,540      | 0,7            | 0,4            | PHS 50-2TBH19 |               |
|       |                 | 20         | 109,73   | 101,60 | B              | 2012            | 19,05 | 50,80           | 31,75  | 82,55    | 8,430   | 26,540      | 0,7            | 0,8            | PHS 50-2TBH20 |               |
|       |                 | 21         | 114,81   | 106,43 | B              | 2012            | 19,05 | 50,80           | 31,75  | 88,90    | 8,430   | 26,540      | 0,9            | 0,8            | PHS 50-2TBH21 |               |
|       |                 | 25         | 135,13   | 126,75 | B              | 2012            | 19,05 | 50,80           | 31,75  | 108,74   | 8,430   | 26,540      | 1,7            | 0,8            | PHS 50-2TBH25 |               |
|       | 30              | 160,53     | 151,89   | B      | 2517           | 19,05           | 63,50 | 44,45           | 134,14 | 8,430    | 26,540  | 3,4         | 1,6            | PHS 50-2TB30   |               |               |
|       | 36              | 191,01     | 182,12   | C      | 2517           | 19,05           | 63,50 | 44,45           | 107,95 | 8,430    | 26,540  | 4,3         | 1,6            | PHS 50-2TB36   |               |               |
|       | 42              | 221,23     | 212,34   | C      | 2517           | 19,05           | 63,50 | 44,45           | 107,95 | 8,430    | 26,540  | 6,1         | 1,6            | PHS 50-2TB42   |               |               |
|       | 48              | 251,71     | 242,82   | C      | 2517           | 19,05           | 63,50 | 44,45           | 107,95 | 8,430    | 26,540  | 8,4         | 1,6            | PHS 50-2TB48   |               |               |
|       | 52              | 272,03     | 262,89   | C      | 2517           | 19,05           | 63,50 | 44,45           | 111,13 | 8,430    | 26,540  | 10,1        | 1,6            | PHS 50-2TB52   |               |               |
|       | 60              | 312,42     | 303,28   | C      | 2517           | 19,05           | 63,50 | 44,45           | 111,13 | 8,430    | 26,540  | 13,7        | 1,6            | PHS 50-2TB60   |               |               |

All Type B or C sprockets, up to and including 25 tooth, are with hardened teeth as standard. For any additional size sprockets with hardened teeth, add "H" before the number of teeth, e.g. PHS 35-2TBH19.

# ANSI sprockets, duplex, taper bushed

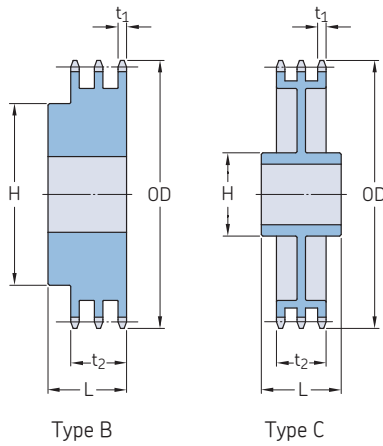
ANSI 50-2 · 15,88 mm (5/8") pitch | ANSI 60-2 · 19,05 mm (3/4") pitch | ANSI 80-2 · 25,40 mm (1") pitch

| Pitch | Number of teeth | Diameters |        | Type   | Bushing number | Dimensions |       |       |       | Plate thickness |                | Mass Rim | Bushing | Designation |               |     |               |
|-------|-----------------|-----------|--------|--------|----------------|------------|-------|-------|-------|-----------------|----------------|----------|---------|-------------|---------------|-----|---------------|
|       |                 | Outside   | Pitch  |        |                | Bore       |       | L     | H     | t <sub>1</sub>  | t <sub>2</sub> |          |         |             |               |     |               |
|       |                 | OD        | PD     |        |                | Min.       | Max.  |       |       |                 |                |          |         |             |               |     |               |
| mm    | in.             | mm        | mm     | mm     | mm             | mm         | mm    | mm    | mm    | mm              | mm             | kg       | mm      | mm          |               |     |               |
| 15,88 | 5/8             | 68        | 352,81 | 343,66 | C              | 2517       | 19,05 | 63,50 | 44,45 | 111,13          | 8,430          | 26,540   | 17,9    | 1,6         | PHS 50-2TB68  |     |               |
|       |                 | 76        | 393,45 | 384,05 | C              | 2517       | 19,05 | 63,50 | 44,45 | 111,13          | 8,430          | 26,540   | 18,7    | 1,6         | PHS 50-2TB76  |     |               |
|       |                 | 84        | 433,83 | 424,43 | C              | 2517       | 19,05 | 63,50 | 44,45 | 111,13          | 8,430          | 26,540   | 20,6    | 1,6         | PHS 50-2TB84  |     |               |
|       |                 | 95        | 489,46 | 480,06 | C              | 2517       | 19,05 | 63,50 | 44,45 | 111,13          | 8,430          | 26,540   | 26,7    | 1,6         | PHS 50-2TB95  |     |               |
|       |                 | 102       | 524,76 | 515,62 | C              | 2517       | 19,05 | 63,50 | 44,45 | 111,13          | 8,430          | 26,540   | 30,4    | 1,6         | PHS 50-2TB102 |     |               |
| 19,05 | 3/4             | 13        | 88,65  | 79,50  | B              | 1215       | 15,88 | 31,75 | 38,10 | 57,15           | 11,280         | 34,060   | 0,5     | 0,7         | PHS 60-2TBH13 |     |               |
|       |                 | 14        | 95,00  | 85,60  | B              | 1215       | 15,88 | 31,75 | 38,10 | 63,50           | 11,280         | 34,060   | 0,7     | 0,8         | PHS 60-2TBH14 |     |               |
|       |                 | 15        | 101,09 | 91,69  | B              | 1615       | 12,70 | 41,28 | 38,10 | 71,44           | 11,280         | 34,060   | 0,6     | 0,8         | PHS 60-2TBH15 |     |               |
|       |                 | 16        | 107,19 | 97,54  | B              | 1615       | 12,70 | 41,28 | 38,10 | 76,20           | 11,280         | 34,060   | 1,0     | 1,0         | PHS 60-2TBH16 |     |               |
|       |                 | 17        | 113,28 | 103,63 | B              | 1615       | 12,70 | 41,28 | 38,10 | 82,55           | 11,280         | 34,060   | 1,1     | 1,3         | PHS 60-2TBH17 |     |               |
|       |                 | 18        | 119,38 | 109,73 | A              | 2012       | 19,05 | 50,80 | 31,75 | -               | 11,280         | 34,060   | 1,4     | 1,1         | PHS 60-2TBH18 |     |               |
|       |                 | 19        | 125,73 | 115,82 | A              | 2012       | 19,05 | 50,80 | 31,75 | -               | 11,280         | 34,060   | 1,6     | 1,3         | PHS 60-2TBH19 |     |               |
|       |                 | 20        | 131,57 | 121,67 | B              | 2517       | 19,05 | 38,10 | 44,45 | 100,41          | 11,280         | 34,060   | 1,8     | 1,3         | PHS 60-2TBH20 |     |               |
|       |                 | 21        | 137,92 | 127,76 | B              | 2517       | 19,05 | 38,10 | 44,45 | 106,36          | 11,280         | 34,060   | 2,3     | 1,7         | PHS 60-2TBH21 |     |               |
|       |                 | 25        | 162,31 | 126,49 | B              | 2517       | 19,05 | 38,10 | 44,45 | 130,97          | 11,280         | 34,060   | 3,4     | 3,4         | PHS 60-2TBH25 |     |               |
|       |                 | 30        | 192,79 | 182,12 | B              | 2517       | 19,05 | 38,10 | 44,45 | 161,13          | 11,280         | 34,060   | 6,1     | 6,0         | PHS 60-2TB30  |     |               |
|       |                 | 36        | 229,11 | 218,69 | C              | 2517       | 19,05 | 38,10 | 44,45 | 107,95          | 11,280         | 34,060   | 7,9     | 7,9         | PHS 60-2TB36  |     |               |
|       |                 | 42        | 265,68 | 255,02 | C              | 2517       | 19,05 | 38,10 | 44,45 | 107,95          | 11,280         | 34,060   | 11,6    | 11,3        | PHS 60-2TB42  |     |               |
|       |                 | 45        | 283,97 | 273,05 | C              | 2517       | 19,05 | 38,10 | 44,45 | 107,95          | 11,280         | 34,060   | 13,4    | 13,3        | PHS 60-2TB45  |     |               |
|       |                 | 52        | 326,39 | 315,47 | C              | 2517       | 19,05 | 38,10 | 44,45 | 107,95          | 11,280         | 34,060   | 18,6    | 18,3        | PHS 60-2TB52  |     |               |
|       |                 | 60        | 374,90 | 363,98 | C1             | 2517       | 19,05 | 38,10 | 44,45 | 107,95          | 11,280         | 34,060   | 14,7    | 15,2        | PHS 60-2TB60  |     |               |
|       |                 | 68        | 423,42 | 412,50 | C1             | 2517       | 19,05 | 38,10 | 44,45 | 114,30          | 11,280         | 34,060   | 16,6    | 19,6        | PHS 60-2TB68  |     |               |
|       |                 | 76        | 471,93 | 461,01 | C1             | 3020       | 31,75 | 76,20 | 50,80 | 133,35          | 11,280         | 34,060   | 19,3    | 21,7        | PHS 60-2TB76  |     |               |
|       |                 | 95        | 587,25 | 576,07 | C1             | 3020       | 31,75 | 76,20 | 50,80 | 133,35          | 11,280         | 34,060   | 22,0    | 31,7        | PHS 60-2TB95  |     |               |
|       |                 | 25,40     | 1      | 13     | 118,36         | 106,17     | A     | 1615  | 12,70 | 41,28           | 38,10          | -        | 14,150  | 43,430      | 1,5           | 0,5 | PHS 80-2TBH13 |
|       |                 |           |        | 14     | 126,49         | 114,05     | A     | 2012  | 19,05 | 50,80           | 31,75          | -        | 14,150  | 43,430      | 1,6           | 0,8 | PHS 80-2TBH14 |
|       |                 |           |        | 15     | 134,62         | 122,17     | A     | 2012  | 19,05 | 50,80           | 31,75          | -        | 14,150  | 43,430      | 2,0           | 0,8 | PHS 80-2TBH15 |
|       |                 |           |        | 16     | 143,00         | 130,30     | A     | 2517  | 19,05 | 63,50           | 44,45          | 79,38    | 14,150  | 43,430      | 1,7           | 1,6 | PHS 80-2TBH16 |
|       |                 |           |        | 17     | 151,13         | 138,18     | A     | 2517  | 19,05 | 63,50           | 44,45          | 79,38    | 14,150  | 43,430      | 2,3           | 1,6 | PHS 80-2TBH17 |
|       |                 |           |        | 18     | 159,26         | 146,30     | A     | 2517  | 19,05 | 63,50           | 44,45          | 79,38    | 14,150  | 43,430      | 2,9           | 1,6 | PHS 80-2TBH18 |
| 19    | 167,39          |           |        | 154,43 | B              | 3020       | 31,75 | 76,20 | 50,80 | 127,00          | 14,150         | 43,430   | 2,5     | 3,0         | PHS 80-2TBH19 |     |               |
| 20    | 175,51          |           |        | 162,31 | B              | 3020       | 31,75 | 76,20 | 50,80 | 133,35          | 14,150         | 43,430   | 3,2     | 3,0         | PHS 80-2TBH20 |     |               |
| 21    | 183,90          |           |        | 170,43 | B              | 3020       | 31,75 | 76,20 | 50,80 | 141,29          | 14,150         | 43,430   | 4,0     | 3,0         | PHS 80-2TBH21 |     |               |
| 25    | 216,41          |           |        | 202,69 | B              | 3020       | 31,75 | 76,20 | 50,80 | 174,63          | 14,150         | 43,430   | 7,5     | 3,0         | PHS 80-2TBH25 |     |               |
| 30    | 256,79          |           |        | 243,08 | C              | 3020       | 31,75 | 76,20 | 50,80 | 133,35          | 14,150         | 43,430   | 11,4    | 3,0         | PHS 80-2TB30  |     |               |
| 36    | 305,56          |           |        | 291,34 | C              | 3020       | 31,75 | 76,20 | 50,80 | 133,35          | 14,150         | 43,430   | 17,9    | 3,0         | PHS 80-2TB36  |     |               |
| 42    | 354,08          |           |        | 340,11 | C              | 3020       | 31,75 | 76,20 | 50,80 | 133,35          | 14,150         | 43,430   | 16,5    | 3,0         | PHS 80-2TB42  |     |               |
| 45    | 378,46          |           |        | 364,24 | C1             | 3020       | 31,75 | 76,20 | 50,80 | 133,35          | 14,150         | 43,430   | 18,8    | 3,0         | PHS 80-2TB45  |     |               |
| 52    | 435,10          |           |        | 420,62 | C1             | 3020       | 31,75 | 76,20 | 50,80 | 133,35          | 14,150         | 43,430   | 25,5    | 3,0         | PHS 80-2TB52  |     |               |
| 60    | 499,87          |           |        | 485,39 | C1             | 3020       | 31,75 | 76,20 | 50,80 | 133,35          | 14,150         | 43,430   | 30,1    | 3,0         | PHS 80-2TB60  |     |               |
| 68    | 564,64          |           |        | 549,91 | C1             | 3020       | 31,75 | 76,20 | 50,80 | 133,35          | 14,150         | 43,430   | 32,7    | 3,0         | PHS 80-2TB68  |     |               |
| 76    | 629,41          |           |        | 614,68 | C1             | 3020       | 31,75 | 76,20 | 50,80 | 133,35          | 14,150         | 43,430   | 40,4    | 3,0         | PHS 80-2TB76  |     |               |
| 95    | 783,08          |           |        | 768,35 | C1             | 3020       | 31,75 | 76,20 | 50,80 | 133,35          | 14,150         | 43,430   | 50,8    | 3,0         | PHS 80-2TB95  |     |               |

All Type B or C sprockets, up to and including 25 tooth, are with hardened teeth as standard.  
For any additional size sprockets with hardened teeth, add "H" before the number of teeth, e.g. PHS 35-2TBH19.

**ANSI sprockets, triplex, pilot bore**

ANSI 35-3 · 9,53 mm (3/8") pitch | ANSI 40-3 · 12,70 mm (1/2") pitch



| Pitch | Number of teeth | Outside diameter | Type  | Dimensions Bore |       |       |        | Plate thickness |                | Mass | Designation  |
|-------|-----------------|------------------|-------|-----------------|-------|-------|--------|-----------------|----------------|------|--------------|
|       |                 |                  |       | Min.            | Max.  | H     | L      | t <sub>1</sub>  | t <sub>2</sub> |      |              |
| -     | in.             | mm               | -     | mm              |       |       |        |                 |                | kg   | -            |
| 9,53  | 3/8             | 13               | B     | 12,70           | 17,46 | 28,18 | 44,45  | 4,110           | 24,380         | 0,2  | PHS 35-3BH13 |
|       |                 | 14               | B     | 12,70           | 22,23 | 31,75 | 44,45  | 4,110           | 24,380         | 0,3  | PHS 35-3BH14 |
|       |                 | 15               | B     | 12,70           | 23,81 | 35,72 | 44,45  | 4,110           | 24,380         | 0,4  | PHS 35-3BH15 |
|       |                 | 16               | B     | 12,70           | 23,81 | 37,31 | 44,45  | 4,110           | 24,380         | 0,4  | PHS 35-3BH16 |
|       |                 | 17               | B     | 12,70           | 17,46 | 40,48 | 44,45  | 4,110           | 24,380         | 0,5  | PHS 35-3BH17 |
|       |                 | 18               | B     | 12,70           | 20,64 | 43,66 | 44,45  | 4,110           | 24,380         | 0,6  | PHS 35-3BH18 |
|       |                 | 19               | B     | 12,70           | 23,81 | 47,63 | 44,45  | 4,110           | 24,380         | 0,6  | PHS 35-3BH19 |
|       |                 | 20               | B     | 19,05           | 23,81 | 49,21 | 47,63  | 4,110           | 24,380         | 0,7  | PHS 35-3BH20 |
|       |                 | 21               | B     | 19,05           | 34,93 | 52,39 | 47,63  | 4,110           | 24,380         | 0,8  | PHS 35-3BH21 |
|       |                 | 22               | B     | 19,05           | 36,51 | 55,56 | 47,63  | 4,110           | 24,380         | 0,9  | PHS 35-3BH22 |
|       |                 | 23               | B     | 19,05           | 38,10 | 57,15 | 47,63  | 4,110           | 24,380         | 1,0  | PHS 35-3BH23 |
|       |                 | 24               | B     | 19,05           | 38,10 | 57,15 | 47,63  | 4,110           | 24,380         | 1,0  | PHS 35-3BH24 |
|       |                 | 25               | B     | 19,05           | 38,10 | 57,15 | 47,63  | 4,110           | 24,380         | 1,1  | PHS 35-3BH25 |
|       |                 | 26               | B     | 19,05           | 38,10 | 63,50 | 47,63  | 4,110           | 24,380         | 1,3  | PHS 35-3B26  |
|       |                 | 30               | B     | 19,05           | 44,45 | 63,50 | 47,63  | 4,110           | 24,380         | 1,6  | PHS 35-3B30  |
|       |                 | 36               | B     | 19,05           | 44,45 | 63,50 | 47,63  | 4,110           | 24,380         | 2,1  | PHS 35-3B36  |
|       |                 | 42               | B     | 19,05           | 44,45 | 63,50 | 47,63  | 4,110           | 24,380         | 2,7  | PHS 35-3B42  |
|       |                 | 48               | B     | 19,05           | 44,45 | 63,50 | 47,63  | 4,110           | 24,380         | 3,4  | PHS 35-3B48  |
|       |                 | 52               | B     | 19,05           | 44,45 | 63,50 | 47,63  | 4,110           | 24,380         | 3,9  | PHS 35-3B52  |
|       |                 | 60               | B     | 19,05           | 44,45 | 63,50 | 47,63  | 4,110           | 24,380         | 5,1  | PHS 35-3B60  |
|       |                 | 68               | B     | 19,05           | 60,33 | 88,90 | 47,63  | 4,110           | 24,380         | 7,0  | PHS 35-3B68  |
|       |                 | 72               | B     | 19,05           | 60,33 | 88,90 | 47,63  | 4,110           | 24,380         | 7,9  | PHS 35-3B72  |
| 76    | B               | 19,05            | 60,33 | 88,90           | 47,63 | 4,110 | 24,380 | 8,6             | PHS 35-3B76    |      |              |
| 84    | B               | 19,05            | 60,33 | 88,90           | 47,63 | 4,110 | 24,380 | 10,4            | PHS 35-3B84    |      |              |
| 95    | B               | 25,40            | 63,50 | 95,25           | 53,98 | 4,110 | 24,380 | 13,3            | PHS 35-3B95    |      |              |
| 96    | B               | 25,40            | 63,50 | 95,25           | 53,98 | 4,110 | 24,380 | 13,6            | PHS 35-3B96    |      |              |
| 102   | B               | 25,40            | 63,50 | 95,25           | 53,98 | 4,110 | 24,380 | 15,1            | PHS 35-3B102   |      |              |
| 12,70 | 1/2             | 11               | B     | 12,70           | 19,05 | 36,51 | 53,98  | 6,990           | 35,740         | 0,4  | PHS 40-3BH11 |
|       |                 | 12               | B     | 12,70           | 23,81 | 39,69 | 53,98  | 6,990           | 35,740         | 0,5  | PHS 40-3BH12 |
|       |                 | 13               | B     | 12,70           | 25,40 | 38,10 | 53,98  | 6,990           | 35,740         | 0,6  | PHS 40-3BH13 |
|       |                 | 14               | B     | 12,70           | 28,58 | 42,86 | 53,98  | 6,990           | 35,740         | 0,7  | PHS 40-3BH14 |
|       |                 | 15               | B     | 12,70           | 31,75 | 46,04 | 53,98  | 6,990           | 35,740         | 0,8  | PHS 40-3BH15 |
|       |                 | 16               | B     | 15,88           | 34,93 | 50,80 | 53,98  | 6,990           | 35,740         | 0,9  | PHS 40-3BH16 |
|       |                 | 17               | B     | 15,88           | 36,51 | 53,98 | 53,98  | 6,990           | 35,740         | 1,1  | PHS 40-3BH17 |
|       |                 | 18               | B     | 15,88           | 38,10 | 58,74 | 53,98  | 6,990           | 35,740         | 1,2  | PHS 40-3BH18 |
|       |                 | 19               | B     | 15,88           | 44,45 | 63,50 | 53,98  | 6,990           | 35,740         | 1,4  | PHS 40-3BH19 |
|       |                 | 20               | B     | 15,88           | 47,63 | 66,68 | 57,15  | 6,990           | 35,740         | 1,7  | PHS 40-3BH20 |
|       |                 | 21               | B     | 15,88           | 47,63 | 69,85 | 57,15  | 6,990           | 35,740         | 1,8  | PHS 40-3BH21 |
|       |                 | 22               | B     | 15,88           | 47,63 | 73,03 | 57,15  | 6,990           | 35,740         | 2,1  | PHS 40-3BH22 |
|       |                 | 23               | B     | 15,88           | 50,80 | 76,20 | 57,15  | 6,990           | 35,740         | 2,3  | PHS 40-3BH23 |
|       |                 | 24               | B     | 15,88           | 57,15 | 82,55 | 57,15  | 6,990           | 35,740         | 2,6  | PHS 40-3BH24 |
|       |                 | 25               | B     | 15,88           | 57,15 | 82,55 | 57,15  | 6,990           | 35,740         | 2,7  | PHS 40-3BH25 |
|       |                 | 26               | B     | 15,88           | 57,15 | 82,55 | 57,15  | 6,990           | 35,740         | 2,9  | PHS 40-3B26  |
|       |                 | 30               | B     | 22,23           | 57,15 | 82,55 | 57,15  | 6,990           | 35,740         | 3,6  | PHS 40-3B30  |
|       |                 | 35               | B     | 22,23           | 57,15 | 82,55 | 57,15  | 6,990           | 35,740         | 4,7  | PHS 40-3B35  |
|       |                 | 36               | B     | 23,81           | 63,50 | 95,25 | 60,33  | 6,990           | 35,740         | 5,3  | PHS 40-3B36  |
|       |                 | 42               | B     | 23,81           | 63,50 | 95,25 | 60,33  | 6,990           | 35,740         | 7,0  | PHS 40-3B42  |
|       |                 | 48               | B     | 23,81           | 63,50 | 95,25 | 60,33  | 6,990           | 35,740         | 8,8  | PHS 40-3B48  |
|       |                 | 52               | B     | 23,81           | 63,50 | 95,25 | 60,33  | 6,990           | 35,740         | 10,2 | PHS 40-3B52  |
| 60    | B               | 23,81            | 63,50 | 95,25           | 60,33 | 6,990 | 35,740 | 13,6            | PHS 40-3B60    |      |              |
| 68    | B               | 30,16            | 69,85 | 101,60          | 66,68 | 6,990 | 35,740 | 17,4            | PHS 40-3B68    |      |              |
| 72    | B               | 30,16            | 69,85 | 101,60          | 66,68 | 6,990 | 35,740 | 19,3            | PHS 40-3B72    |      |              |
| 76    | B               | 30,16            | 69,85 | 101,60          | 66,68 | 6,990 | 35,740 | 21,3            | PHS 40-3B76    |      |              |

Maximum bores can accommodate standard keyways. Larger bores are available where a shallow keyway is used or no keyway is required. All Type B or C sprockets, up to and including 25 tooth, are with hardened teeth as standard. For any additional size sprockets with hardened teeth, add "H" before the number of teeth, e.g. PHS 35-3BH13.

### ANSI sprockets, triplex, pilot bore

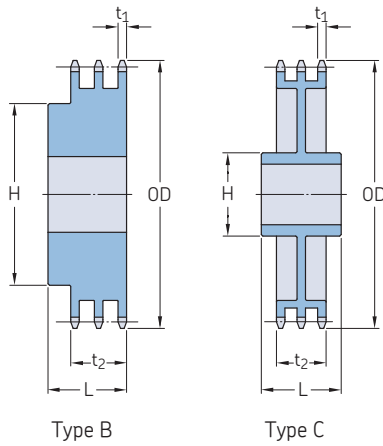
ANSI 40-3 · 12,70 mm (1/2") pitch | ANSI 50-3 · 15,88 mm (5/8") pitch | ANSI 60-3 · 19,05 mm (3/4") pitch | ANSI 80-3 · 25,40 mm (1") pitch

| Pitch | Number of teeth | Outside diameter | Type   | Dimensions |        |       |        | Plate thickness |                | Mass   | Designation |              |     |              |
|-------|-----------------|------------------|--------|------------|--------|-------|--------|-----------------|----------------|--------|-------------|--------------|-----|--------------|
|       |                 |                  |        | Bore       |        | H     | L      | t <sub>1</sub>  | t <sub>2</sub> |        |             |              |     |              |
|       |                 |                  |        | Min.       | Max.   |       |        |                 |                |        |             |              |     |              |
| –     | in.             | mm               | –      | mm         | mm     | mm    | mm     | mm              | mm             | kg     | –           |              |     |              |
| 12,70 | 1/2             | 84               | 346,96 | B          | 30,16  | 69,85 | 107,95 | 69,85           | 6,990          | 35,740 | 26,0        | PHS 40-3B84  |     |              |
|       |                 | 95               | 391,41 | B          | 30,16  | 69,85 | 107,95 | 69,85           | 6,990          | 35,740 | 28,2        | PHS 40-3B95  |     |              |
|       |                 | 102              | 419,86 | B          | 30,16  | 69,85 | 107,95 | 69,85           | 6,990          | 35,740 | 31,0        | PHS 40-3B102 |     |              |
| 15,88 | 5/8             | 11               | 63,50  | B          | 15,88  | 23,81 | 37,31  | 63,50           | 8,430          | 44,650 | 0,6         | PHS 50-3BH11 |     |              |
|       |                 | 12               | 68,83  | B          | 15,88  | 28,58 | 42,86  | 63,50           | 8,430          | 44,650 | 0,8         | PHS 50-3BH12 |     |              |
|       |                 | 13               | 73,91  | B          | 15,88  | 33,34 | 47,63  | 63,50           | 8,430          | 44,650 | 1,0         | PHS 50-3BH13 |     |              |
|       |                 | 14               | 78,99  | B          | 15,88  | 34,93 | 52,39  | 63,50           | 8,430          | 44,650 | 1,2         | PHS 50-3BH14 |     |              |
|       |                 | 15               | 84,33  | B          | 19,05  | 38,10 | 58,74  | 63,50           | 8,430          | 44,650 | 1,5         | PHS 50-3BH15 |     |              |
|       |                 | 16               | 89,41  | B          | 19,05  | 44,45 | 63,50  | 63,50           | 8,430          | 44,650 | 1,7         | PHS 50-3BH16 |     |              |
|       |                 | 17               | 94,49  | B          | 19,05  | 47,63 | 68,26  | 63,50           | 8,430          | 44,650 | 2,0         | PHS 50-3BH17 |     |              |
|       |                 | 18               | 99,57  | B          | 19,05  | 49,21 | 74,61  | 63,50           | 8,430          | 44,650 | 2,3         | PHS 50-3BH18 |     |              |
|       |                 | 19               | 104,65 | B          | 25,40  | 53,98 | 79,38  | 63,50           | 8,430          | 44,650 | 2,5         | PHS 50-3BH19 |     |              |
|       |                 | 20               | 109,73 | B          | 25,40  | 57,15 | 82,55  | 66,68           | 8,430          | 44,650 | 2,9         | PHS 50-3BH20 |     |              |
|       |                 | 21               | 114,81 | B          | 25,40  | 60,33 | 88,90  | 66,68           | 8,430          | 44,650 | 3,4         | PHS 50-3BH21 |     |              |
|       |                 | 22               | 119,89 | B          | 25,40  | 60,33 | 90,49  | 66,68           | 8,430          | 44,650 | 3,6         | PHS 50-3BH22 |     |              |
|       |                 | 23               | 124,97 | B          | 25,40  | 63,50 | 92,08  | 66,68           | 8,430          | 44,650 | 4,0         | PHS 50-3BH23 |     |              |
|       |                 | 24               | 130,05 | B          | 25,40  | 63,50 | 92,08  | 66,68           | 8,430          | 44,650 | 4,3         | PHS 50-3BH24 |     |              |
|       |                 | 25               | 135,13 | B          | 25,40  | 63,50 | 92,08  | 66,68           | 8,430          | 44,650 | 4,6         | PHS 50-3BH25 |     |              |
|       |                 | 26               | 140,21 | B          | 25,40  | 63,50 | 95,25  | 66,68           | 8,430          | 44,650 | 5,0         | PHS 50-3B26  |     |              |
|       |                 | 30               | 160,53 | B          | 25,40  | 63,50 | 95,25  | 66,68           | 8,430          | 44,650 | 6,5         | PHS 50-3B30  |     |              |
|       |                 | 35               | 185,93 | B          | 25,40  | 63,50 | 95,25  | 66,68           | 8,430          | 44,650 | 8,6         | PHS 50-3B35  |     |              |
|       |                 | 36               | 191,01 | B          | 30,16  | 69,85 | 101,60 | 69,85           | 8,430          | 44,650 | 9,3         | PHS 50-3B36  |     |              |
|       |                 | 42               | 221,49 | B          | 30,16  | 69,85 | 101,60 | 69,85           | 8,430          | 44,650 | 12,5        | PHS 50-3B42  |     |              |
|       |                 | 48               | 251,71 | B          | 30,16  | 69,85 | 101,60 | 79,38           | 8,430          | 44,650 | 16,6        | PHS 50-3B48  |     |              |
|       |                 | 52               | 272,03 | B          | 30,16  | 69,85 | 101,60 | 79,38           | 8,430          | 44,650 | 19,3        | PHS 50-3B52  |     |              |
|       |                 | 60               | 312,42 | B          | 33,34  | 76,20 | 114,30 | 79,38           | 8,430          | 44,650 | 25,8        | PHS 50-3B60  |     |              |
|       |                 | 68               | 352,81 | B          | 33,34  | 76,20 | 114,30 | 79,38           | 8,430          | 44,650 | 33,2        | PHS 50-3B68  |     |              |
|       |                 | 72               | 373,13 | C          | 33,34  | 76,20 | 120,65 | 88,90           | 8,430          | 44,650 | 24,7        | PHS 50-3C72  |     |              |
|       |                 | 76               | 393,45 | C          | 33,34  | 76,20 | 120,65 | 88,90           | 8,430          | 44,650 | 23,2        | PHS 50-3C76  |     |              |
|       |                 | 84               | 433,83 | C          | 33,34  | 76,20 | 120,65 | 88,90           | 8,430          | 44,650 | 29,6        | PHS 50-3C84  |     |              |
|       |                 | 95               | 489,46 | C          | 33,34  | 76,20 | 120,65 | 95,25           | 8,430          | 44,650 | 33,8        | PHS 50-3C95  |     |              |
|       |                 | 102              | 524,76 | C          | 33,34  | 76,20 | 120,65 | 95,25           | 8,430          | 44,650 | 36,3        | PHS 50-3C102 |     |              |
|       |                 | 19,05            | 3/4    | 11         | 76,20  | B     | 25,40  | 31,75           | 46,04          | 76,20  | 11,280      | 56,850       | 1,1 | PHS 60-3BH11 |
|       |                 |                  |        | 12         | 82,55  | B     | 25,40  | 36,51           | 53,98          | 76,20  | 11,280      | 56,850       | 1,5 | PHS 60-3BH12 |
|       |                 |                  |        | 13         | 88,65  | B     | 25,40  | 38,10           | 57,15          | 76,20  | 11,280      | 56,850       | 1,8 | PHS 60-3BH13 |
|       |                 |                  |        | 14         | 95,00  | B     | 25,40  | 44,45           | 63,50          | 76,20  | 11,280      | 56,850       | 2,0 | PHS 60-3BH14 |
| 15    | 101,09          |                  |        | B          | 25,40  | 47,63 | 71,44  | 76,20           | 11,280         | 56,850 | 2,5         | PHS 60-3BH15 |     |              |
| 16    | 107,19          |                  |        | B          | 25,40  | 50,80 | 76,20  | 76,20           | 11,280         | 56,850 | 3,0         | PHS 60-3BH16 |     |              |
| 17    | 113,28          |                  |        | B          | 25,40  | 57,15 | 82,55  | 76,20           | 11,280         | 56,850 | 3,5         | PHS 60-3BH17 |     |              |
| 18    | 119,38          |                  |        | B          | 25,40  | 60,33 | 88,90  | 76,20           | 11,280         | 56,850 | 3,9         | PHS 60-3BH18 |     |              |
| 19    | 125,73          |                  |        | B          | 25,40  | 63,50 | 93,66  | 76,20           | 11,280         | 56,850 | 4,5         | PHS 60-3BH19 |     |              |
| 20    | 131,83          |                  |        | B          | 25,40  | 63,50 | 95,25  | 76,20           | 11,280         | 56,850 | 5,1         | PHS 60-3BH20 |     |              |
| 21    | 137,92          |                  |        | B          | 25,40  | 69,85 | 104,78 | 76,20           | 11,280         | 56,850 | 5,7         | PHS 60-3BH21 |     |              |
| 22    | 144,02          |                  |        | B          | 25,40  | 69,85 | 107,95 | 76,20           | 11,280         | 56,850 | 6,0         | PHS 60-3BH22 |     |              |
| 23    | 150,11          |                  |        | B          | 25,40  | 69,85 | 107,95 | 76,20           | 11,280         | 56,850 | 6,6         | PHS 60-3BH23 |     |              |
| 24    | 156,21          |                  |        | B          | 25,40  | 69,85 | 107,95 | 76,20           | 11,280         | 56,850 | 7,2         | PHS 60-3BH24 |     |              |
| 25    | 162,31          |                  |        | B          | 25,40  | 69,85 | 107,95 | 76,20           | 11,280         | 56,850 | 7,7         | PHS 60-3BH25 |     |              |
| 26    | 168,40          |                  |        | B          | 25,40  | 69,85 | 107,95 | 76,20           | 11,280         | 56,850 | 8,4         | PHS 60-3B26  |     |              |
| 30    | 192,79          |                  |        | B          | 25,40  | 69,85 | 107,95 | 76,20           | 11,280         | 56,850 | 10,5        | PHS 60-3B30  |     |              |
| 35    | 223,01          |                  |        | B          | 31,75  | 76,20 | 114,30 | 82,55           | 11,280         | 56,850 | 15,7        | PHS 60-3B35  |     |              |
| 36    | 229,11          |                  |        | B          | 31,75  | 76,20 | 114,30 | 82,55           | 11,280         | 56,850 | 16,8        | PHS 60-3B36  |     |              |
| 42    | 265,68          |                  |        | B          | 31,75  | 82,55 | 120,65 | 92,08           | 11,280         | 56,850 | 22,2        | PHS 60-3B42  |     |              |
| 45    | 283,97          |                  |        | B          | 31,75  | 82,55 | 120,65 | 92,08           | 11,280         | 56,850 | 25,9        | PHS 60-3B45  |     |              |
| 52    | 326,39          |                  |        | C          | 31,75  | 82,55 | 120,65 | 88,90           | 11,280         | 56,850 | 33,1        | PHS 60-3C52  |     |              |
| 60    | 374,90          |                  |        | C          | 31,75  | 82,55 | 120,65 | 88,90           | 11,280         | 56,850 | 28,6        | PHS 60-3C60  |     |              |
| 68    | 423,42          |                  |        | C          | 31,75  | 82,55 | 127,00 | 88,90           | 11,280         | 56,850 | 33,1        | PHS 60-3C68  |     |              |
| 72    | 447,80          |                  |        | C          | 31,75  | 82,55 | 127,00 | 88,90           | 11,280         | 56,850 | 38,6        | PHS 60-3C72  |     |              |
| 76    | 471,93          |                  |        | C          | 38,10  | 95,25 | 139,70 | 88,90           | 11,280         | 56,850 | 37,2        | PHS 60-3C76  |     |              |
| 95    | 587,25          |                  |        | C          | 38,10  | 95,25 | 139,70 | 101,60          | 11,280         | 56,850 | 47,6        | PHS 60-3C95  |     |              |
| 25,40 | 1               |                  |        | 11         | 101,85 | B     | 25,40  | 44,45           | 63,50          | 92,08  | 14,150      | 72,720       | 2,7 | PHS 80-3BH11 |
|       |                 |                  |        | 12         | 109,98 | B     | 25,40  | 47,63           | 72,23          | 92,08  | 14,150      | 72,720       | 3,4 | PHS 80-3BH12 |
|       |                 |                  |        | 13         | 118,36 | B     | 25,40  | 57,15           | 80,17          | 92,08  | 14,150      | 72,720       | 4,2 | PHS 80-3BH13 |
|       |                 |                  |        | 14         | 126,49 | B     | 25,40  | 60,33           | 88,11          | 92,08  | 14,150      | 72,720       | 5,0 | PHS 80-3BH14 |
|       |                 |                  |        | 15         | 134,62 | B     | 25,40  | 63,50           | 96,44          | 92,08  | 14,150      | 72,720       | 5,9 | PHS 80-3BH15 |
|       |                 |                  |        | 16         | 143,00 | B     | 25,40  | 69,85           | 101,60         | 98,43  | 14,150      | 72,720       | 7,2 | PHS 80-3BH16 |
|       |                 | 17               | 151,13 | B          | 25,40  | 76,20 | 112,32 | 98,43           | 14,150         | 72,720 | 8,4         | PHS 80-3BH17 |     |              |
|       |                 | 18               | 159,26 | B          | 25,40  | 82,55 | 120,25 | 98,43           | 14,150         | 72,720 | 9,6         | PHS 80-3BH18 |     |              |
|       |                 | 19               | 167,39 | B          | 25,40  | 84,14 | 127,00 | 98,43           | 14,150         | 72,720 | 10,8        | PHS 80-3BH19 |     |              |
|       |                 | 20               | 175,51 | B          | 25,40  | 84,14 | 127,00 | 98,43           | 14,150         | 72,720 | 11,8        | PHS 80-3BH20 |     |              |
|       |                 | 21               | 183,90 | B          | 25,40  | 84,14 | 127,00 | 98,43           | 14,150         | 72,720 | 12,9        | PHS 80-3BH21 |     |              |
|       |                 | 22               | 192,02 | B          | 25,40  | 84,14 | 127,00 | 98,43           | 14,150         | 72,720 | 14,1        | PHS 80-3BH22 |     |              |
|       |                 | 23               | 200,15 | B          | 25,40  | 84,14 | 127,00 | 98,43           | 14,150         | 72,720 | 15,2        | PHS 80-3BH23 |     |              |
|       |                 | 24               | 208,28 | B          | 25,40  | 88,90 | 133,35 | 98,43           | 14,150         | 72,720 | 16,8        | PHS 80-3BH24 |     |              |

Maximum bores can accommodate standard keyways. Larger bores are available where a shallow keyway is used or no keyway is required. All Type B or C sprockets, up to and including 25 tooth, are with hardened teeth as standard. For any additional size sprockets with hardened teeth, add "H" before the number of teeth, e.g. PHS 35-3BH13.

# ANSI sprockets, triplex, pilot bore

ANSI 80-3 · 25,40 mm (1") pitch | ANSI 100-3 · 31,75 mm (1¼") pitch



| Pitch | Number of teeth | Outside diameter | Type  | Dimensions Bore |        | H      | L      | Plate thickness |                | Mass          | Designation   |               |               |               |
|-------|-----------------|------------------|-------|-----------------|--------|--------|--------|-----------------|----------------|---------------|---------------|---------------|---------------|---------------|
|       |                 |                  |       | Min.            | Max.   |        |        | t <sub>1</sub>  | t <sub>2</sub> |               |               |               |               |               |
| –     | in.             | mm               | –     | mm              |        | –      | –      | –               | –              | kg            | –             |               |               |               |
| 25,40 | 1               | 25               | B     | 25,40           | 88,90  | 133,35 | 98,43  | 14,150          | 72,720         | 18,2          | PHS 80-3BH25  |               |               |               |
|       |                 | 26               | B     | 25,40           | 88,90  | 133,35 | 98,43  | 14,150          | 72,720         | 19,5          | PHS 80-3B26   |               |               |               |
|       |                 | 30               | B     | 31,75           | 95,25  | 146,05 | 107,95 | 14,150          | 72,720         | 24,7          | PHS 80-3B30   |               |               |               |
|       |                 | 35               | B     | 31,75           | 95,25  | 146,05 | 107,95 | 14,150          | 72,720         | 36,1          | PHS 80-3B35   |               |               |               |
|       |                 | 36               | B     | 31,75           | 95,25  | 146,05 | 107,95 | 14,150          | 72,720         | 38,1          | PHS 80-3B36   |               |               |               |
|       | 25,40           | 2                | 42    | C               | 31,75  | 96,84  | 152,40 | 114,30          | 14,150         | 72,720        | 38,5          | PHS 80-3C42   |               |               |
|       |                 |                  | 45    | C               | 31,75  | 96,84  | 152,40 | 114,30          | 14,150         | 72,720        | 41,9          | PHS 80-3C45   |               |               |
|       |                 |                  | 52    | C               | 38,10  | 96,84  | 152,40 | 114,30          | 14,150         | 72,720        | 48,5          | PHS 80-3C52   |               |               |
|       |                 |                  | 60    | C               | 38,10  | 107,95 | 158,75 | 120,65          | 14,150         | 72,720        | 58,1          | PHS 80-3C60   |               |               |
|       |                 |                  | 68    | C               | 38,10  | 107,95 | 158,75 | 120,65          | 14,150         | 72,720        | 63,5          | PHS 80-3C68   |               |               |
|       |                 | 25,40            | 3     | 76              | C      | 38,10  | 107,95 | 158,75          | 120,65         | 14,150        | 72,720        | 74,8          | PHS 80-3C76   |               |
|       |                 |                  |       | 95              | C      | 38,10  | 114,30 | 171,45          | 127,00         | 14,150        | 72,720        | 108,9         | PHS 80-3C95   |               |
|       |                 |                  | 31,75 | 1¼              | 11     | B      | 25,40  | 53,98           | 79,38          | 107,95        | 16,990        | 88,520        | 5,3           | PHS 100-3BH11 |
|       |                 |                  |       |                 | 12     | B      | 28,58  | 57,15           | 85,73          | 107,95        | 16,990        | 88,520        | 6,2           | PHS 100-3BH12 |
| 13    | B               | 28,58            |       |                 | 63,50  | 96,84  | 107,95 | 16,990          | 88,520         | 7,7           | PHS 100-3BH13 |               |               |               |
| 14    | B               | 28,58            |       |                 | 69,85  | 106,36 | 107,95 | 16,990          | 88,520         | 9,2           | PHS 100-3BH14 |               |               |               |
| 15    | B               | 31,75            |       |                 | 79,38  | 117,48 | 114,30 | 16,990          | 88,520         | 11,3          | PHS 100-3BH15 |               |               |               |
| 31,75 | 2               | 16               |       |                 | B      | 31,75  | 84,14  | 127,00          | 114,30         | 16,990        | 88,520        | 13,3          | PHS 100-3BH16 |               |
|       |                 | 17               |       |                 | B      | 31,75  | 88,90  | 133,35          | 114,30         | 16,990        | 88,520        | 15,3          | PHS 100-3BH17 |               |
|       |                 | 18               |       |                 | B      | 31,75  | 88,90  | 133,35          | 120,65         | 16,990        | 88,520        | 17,5          | PHS 100-3BH18 |               |
|       |                 | 19               |       |                 | B      | 31,75  | 95,25  | 139,70          | 120,65         | 16,990        | 88,520        | 19,6          | PHS 100-3BH19 |               |
|       |                 | 20               |       |                 | B      | 31,75  | 95,25  | 139,70          | 120,65         | 16,990        | 88,520        | 21,7          | PHS 100-3BH20 |               |
|       |                 | 21               |       | B               | 31,75  | 95,25  | 139,70 | 120,65          | 16,990         | 88,520        | 23,7          | PHS 100-3BH21 |               |               |
|       |                 | 22               |       | B               | 31,75  | 95,25  | 139,70 | 120,65          | 16,990         | 88,520        | 26,1          | PHS 100-3BH22 |               |               |
|       |                 | 23               |       | B               | 31,75  | 95,25  | 139,70 | 120,65          | 16,990         | 88,520        | 28,4          | PHS 100-3BH23 |               |               |
|       |                 | 24               |       | B               | 31,75  | 95,25  | 146,05 | 120,65          | 16,990         | 88,520        | 31,3          | PHS 100-3BH24 |               |               |
| 25    | B               | 31,75            |       | 95,25           | 146,05 | 120,65 | 16,990 | 88,520          | 33,1           | PHS 100-3BH25 |               |               |               |               |
| 31,75 | 3               | 26               |       | B               | 38,10  | 96,84  | 146,05 | 120,65          | 16,990         | 88,520        | 35,8          | PHS 100-3B26  |               |               |
|       |                 | 30               |       | B               | 38,10  | 96,84  | 146,05 | 120,65          | 16,990         | 88,520        | 46,7          | PHS 100-3B30  |               |               |
|       |                 | 35               |       | C               | 38,10  | 101,60 | 152,40 | 127,00          | 16,990         | 88,520        | 49,0          | PHS 100-3C35  |               |               |
|       |                 | 45               |       | C               | 38,10  | 101,60 | 152,40 | 127,00          | 16,990         | 88,520        | 64,9          | PHS 100-3C45  |               |               |
|       |                 | 60               | C     | 38,10           | 136,53 | 190,50 | 127,00 | 16,990          | 88,520         | 98,4          | PHS 100-3C60  |               |               |               |
|       |                 | 70               | C     | 38,10           | 136,53 | 190,50 | 127,00 | 16,990          | 88,520         | 118,8         | PHS 100-3C70  |               |               |               |
|       |                 | 80               | C     | 38,10           | 136,53 | 190,50 | 127,00 | 16,990          | 88,520         | 142,0         | PHS 100-3C80  |               |               |               |

Maximum bores can accommodate standard keyways. Larger bores are available where a shallow keyway is used or no keyway is required. All Type B or C sprockets, up to and including 25 tooth, are with hardened teeth as standard. For any additional size sprockets with hardened teeth, add "H" before the number of teeth, e.g. PHS 35-3BH13.







# Pulleys



Wedge belt pulleys . . . . . 254



Classical V-belt pulleys . . . . . 268



QD Classical V-belt pulleys . . . . . 276



Narrow wedge belt pulleys . . . . . 285



QD Narrow wedge belt pulleys . . . . . 292



HiTD pulleys . . . . . 301



Classical timing pulleys . . . . . 313



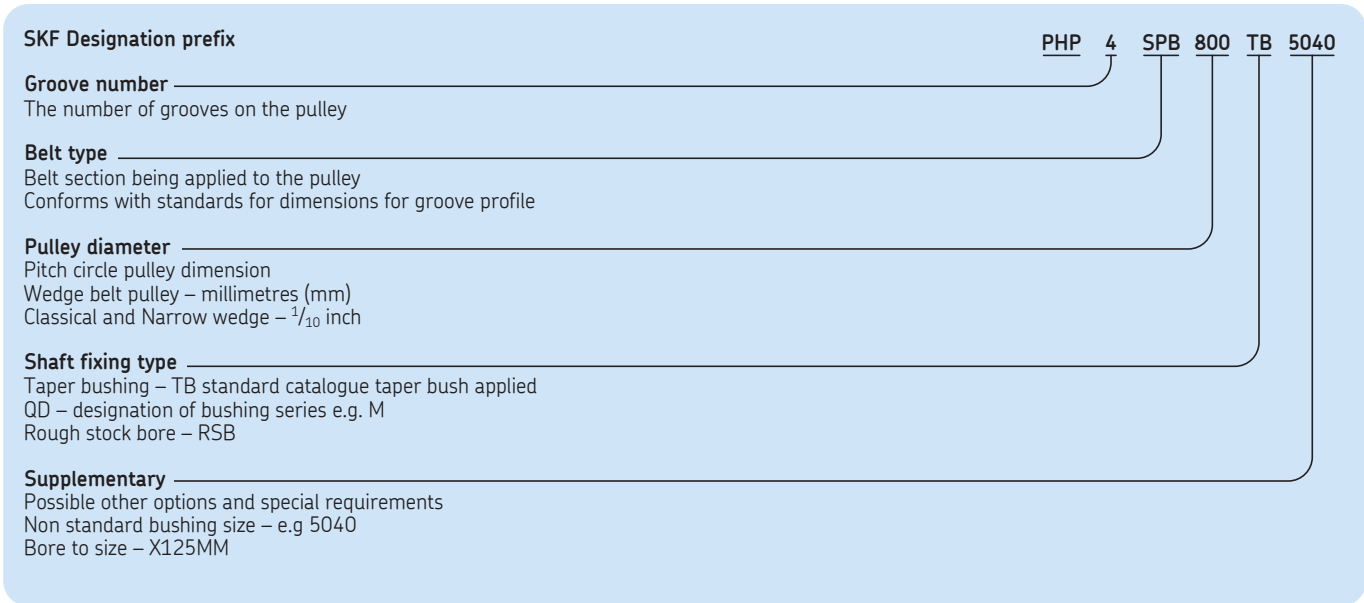
Metric timing pulleys . . . . . 325

## SKF Pulleys

SKF pulley range nomenclature has a defined prefix of PHP. All pulleys are made to be applied to standardized belts. SKF pulleys conform to conventional basic belt part number format – ISO, BS, or DIN.

### Pulleys – V-belts

The pulley range designation from SKF has the following is an example to indicate set up.



### Pulleys (PHP Product Group)

Classical and trapezoidal inch pitch timing pulleys (MXL, XL, L, H, XH, XXH) are manufactured according to ISO 5294.

Metric pitch series timing pulleys (T/AT) are manufactured according to DIN 7721.

All SKF V-belt pulleys are manufactured to the standards ISO 4183, DIN 2211, ANSI Narrow V-belt pulley IP-22 and the ANSI Classical V-belt pulley IP-20. They are interchangeable with type SPA, SPB, SPC and SPZ. The pulleys are made from cast iron G3000 (GG ) to American standard “SAEJ431AVG96”.

Following are the requirements of G3000:

- Tensile strength = 207Mpa
- Hardness = HB 187-241
- Chemical composition C 3,1-3,4 %, Si 1,9-2,3 %, Mn 0,6-0,9 %, S = 0,15 %, P = 0,15%

After being machined, pulleys are phosphated and treated with a rustproof oil.

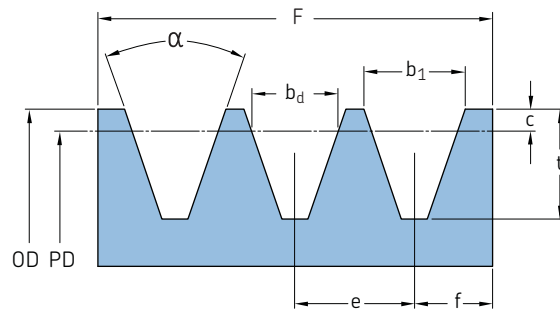
All pulleys are statically balanced to G6.3 according to ISO 1940. After balanced the pulleys are suitable for the linear speed of not more than 35 m/s. Two Plane (Dynamic) balancing can be provided on request. SKF can issue a certificate stating that all pulleys are dynamically balanced in case of any special customer request.

## Standard pulley groove dimensions DIN2211/1 and BS3970

Classical V-belt pulleys | Narrow Wedge V-belt pulleys (DIN / BS / ISO) | Narrow wedge belt pulleys (RMA)

### Nomenclature:

- $\alpha$  Pulley groove included angle (°)
- OD Outside diameter
- PD Effective (pitch) diameter
- $b_d$  Effective width at pitch line
- $b_1$  Groove top width
- c Distance from pitch to outside diameter (= OD - PD/2)
- e Transverse pitch of grooves (to centers)
- f Minimum recommended distance from edge of pulley to center of first groove
- t Total groove depth



### Classical V-belt pulleys

| Classical belt series | Pitch diameter range | Groove angle | Dimensions |       |       |       |       |
|-----------------------|----------------------|--------------|------------|-------|-------|-------|-------|
|                       |                      | $\alpha$     | $b_1$      | $b_d$ | t     | c     | e     |
| –                     | mm                   | °            | mm         |       |       |       |       |
| 13/A-17/B             | 85 - 170             | 34           | 15,55      | 15,88 | 19,05 | 4,45  | 12,70 |
|                       | Over 170             | 38           |            | 15,88 | 19,05 | 4,45  | 12,70 |
| 22/C                  | 178 - 203            | 34           | 22,33      | 19,81 | 25,40 | 5,08  | 17,48 |
|                       | 203 - 305            | 36           | 22,53      | 19,81 | 25,40 | 5,08  | 17,48 |
| 32/D                  | Over 305             | 38           | 22,73      | 19,81 | 25,40 | 5,08  | 17,48 |
|                       | 305 - 330            | 34           | 31,98      | 26,67 | 36,53 | 7,62  | 22,23 |
|                       | 330 - 432            | 36           | 32,28      | 26,67 | 36,53 | 7,62  | 22,23 |
|                       | Over 432             | 38           | 32,59      | 26,67 | 36,53 | 7,62  | 22,23 |
| 40/E                  | 457 - 610            | 36           | 38,79      | 33,02 | 44,45 | 10,16 | 31,24 |
|                       | Over 610             | 38           | 39,17      | 33,02 | 44,45 | 10,16 | 31,24 |

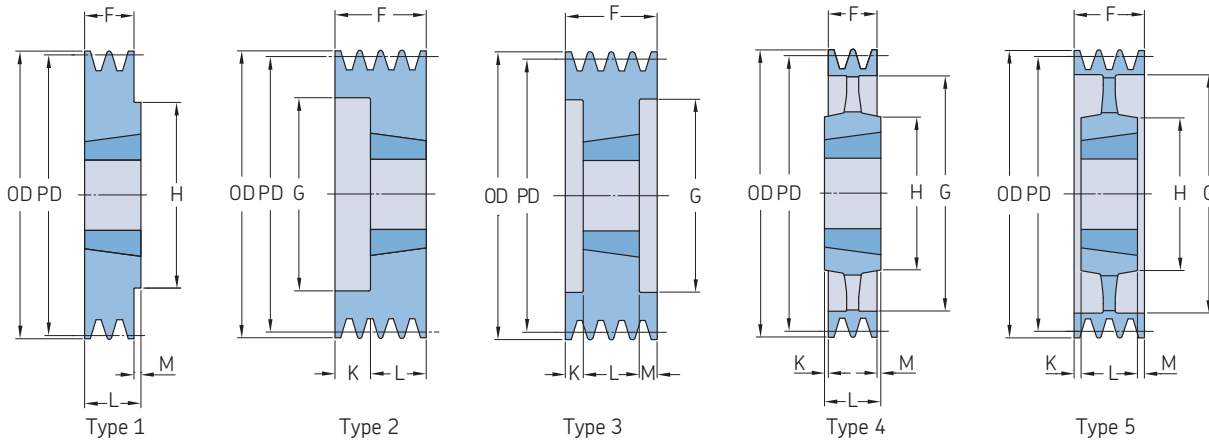
### Narrow Wedge V-belt pulleys (DIN / BS / ISO)

| Classical belt series | Pitch diameter range | Groove angle | Dimensions |       |                |      |            |      |
|-----------------------|----------------------|--------------|------------|-------|----------------|------|------------|------|
|                       |                      | $\alpha$     | $b_1$      | $b_d$ | $t(+0.6/-0.0)$ | c    | e          | f    |
| –                     | mm                   | °            | mm         |       |                |      |            |      |
| SPZ                   | Up to & incl. 80     | 34           | 9,7        | 8,5   | 11,00          | 2,00 | 12,0 ± 0,3 | 8,0  |
|                       | Over 80              | 38           | 9,7        | 8,5   | 11,00          | 2,00 | 12,0 ± 0,3 | 8,0  |
| SPA                   | Up to & incl. 118    | 34           | 12,7       | 11,0  | 14,00          | 2,80 | 15,0 ± 0,3 | 10,0 |
|                       | Over 118             | 38           | 12,7       | 11,0  | 14,00          | 2,80 | 15,0 ± 0,3 | 10,0 |
| SPB                   | Up to & incl. 190    | 34           | 16,2       | 14,4  | 18,00          | 3,50 | 19,0 ± 0,4 | 12,5 |
|                       | Over 190             | 38           | 16,2       | 14,4  | 18,00          | 3,50 | 19,0 ± 0,4 | 12,5 |
| SPC                   | Up to & incl. 315    | 34           | 22,0       | 19,0  | 24,00          | 4,80 | 25,5 ± 0,5 | 17,0 |
|                       | Over 315             | 38           | 22,0       | 19,0  | 24,00          | 4,80 | 25,5 ± 0,5 | 17,0 |

### Narrow wedge belt pulleys (RMA)

| RMA Belt series | Pitch diameter range | Groove angle | Dimensions |       |       |      |            |      |
|-----------------|----------------------|--------------|------------|-------|-------|------|------------|------|
|                 |                      | $\alpha$     | $b_1$      | $b_d$ | t     | c    | e          | f    |
| –               | mm                   | °            | mm         |       |       |      |            |      |
| 3V, 3VX         | Up to & incl. 90     | 36           | 8,89       | 8,89  | 8,64  | 0,64 | 10,3 ± 0,4 | 8,74 |
|                 | Over 90 - 150        | 38           | 8,89       | 8,89  | 8,64  | 0,64 | 10,3 ± 0,4 | 8,74 |
|                 | Over 150 - 305       | 40           | 8,89       | 8,89  | 8,64  | 0,64 | 10,3 ± 0,4 | 8,74 |
|                 | Over 305             | 42           | 8,89       | 8,89  | 8,64  | 0,64 | 10,3 ± 0,4 | 8,74 |
| 5V, 5VX         | Over 140 - 255       | 38           | 15,24      | 12,70 | 14,98 | 1,27 | 17,5 ± 0,4 | 3,20 |
|                 | Over 255 - 405       | 40           | 15,24      | 12,70 | 14,98 | 1,27 | 17,5 ± 0,4 | 3,20 |
|                 | Over 405             | 42           | 15,24      | 12,70 | 14,98 | 1,27 | 17,5 ± 0,4 | 3,20 |
| 8V, 8VX         | Over 315 - 405       | 38           | 25,40      | 25,40 | 25,15 | 2,54 | 28,6 ± 0,4 | 6,40 |
|                 | Over 405 - 570       | 40           | 25,40      | 25,40 | 25,15 | 2,54 | 28,6 ± 0,4 | 6,40 |
|                 | Over 570             | 42           | 25,40      | 25,40 | 25,15 | 2,54 | 28,6 ± 0,4 | 6,40 |

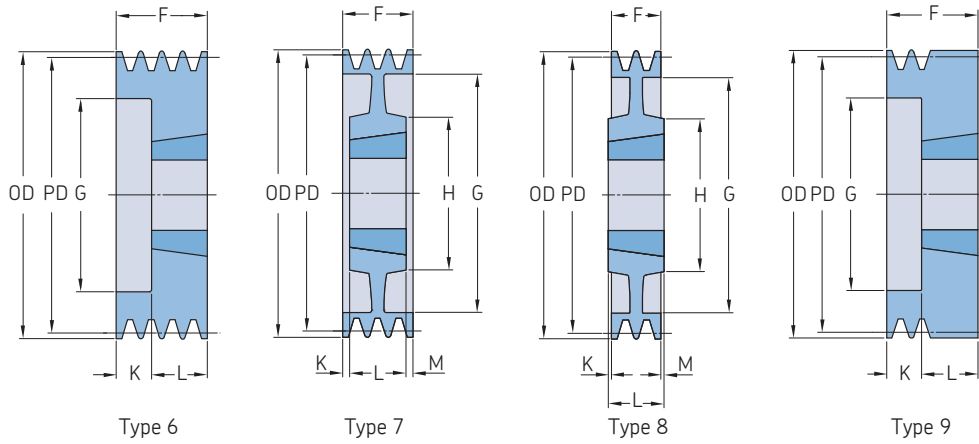
**Wedge belt pulleys**  
SPZ taper bushed



| Section | Number of grooves | Pitch diameter<br>PD | Pulley type | Bushing number | Dimensions           |        |      |      |     |      |     |      |               | Mass <sup>1)</sup> | Designation   |
|---------|-------------------|----------------------|-------------|----------------|----------------------|--------|------|------|-----|------|-----|------|---------------|--------------------|---------------|
|         |                   |                      |             |                | Outer diameter<br>OD | B Min. | Max. | F    | G   | K    | L   | M    | H             |                    |               |
|         |                   |                      |             |                | mm                   |        |      |      |     |      |     |      |               | kg                 |               |
| SPZ     | 1                 | 50                   | 9           | 1008           | 54,0                 | 9      | 25   | 37   | 28  | 12,0 | 22  | -    | -             | 0,3                | PHP 1SPZ50TB  |
|         |                   | 56                   | 9           | 1008           | 60,0                 | 9      | 25   | 37   | 23  | 12,0 | 22  | -    | -             | 0,5                | PHP 1SPZ56TB  |
|         |                   | 60                   | 1           | 1008           | 64,0                 | 9      | 25   | 22   | -   | -    | 22  | -    | -             | 0,3                | PHP 1SPZ60TB  |
|         |                   | 63                   | 1           | 1108           | 67,0                 | 9      | 28   | 16   | -   | -    | 22  | 6,0  | 62            | 0,3                | PHP 1SPZ63TB  |
|         |                   | 67                   | 1           | 1108           | 71,0                 | 9      | 28   | 16   | -   | -    | 22  | 6,0  | 62            | 0,3                | PHP 1SPZ67TB  |
|         |                   | 71                   | 1           | 1108           | 75,0                 | 9      | 28   | 16   | -   | -    | 22  | 6,0  | 62            | 0,4                | PHP 1SPZ71TB  |
|         |                   | 75                   | 1           | 1108           | 79,0                 | 9      | 28   | 16   | -   | -    | 22  | 6,0  | 62            | 0,4                | PHP 1SPZ75TB  |
|         |                   | 80                   | 1           | 1210           | 84,0                 | 11     | 32   | 16   | -   | -    | 25  | 9,0  | 75            | 0,5                | PHP 1SPZ80TB  |
|         |                   | 85                   | 1           | 1210           | 89,0                 | 11     | 32   | 16   | -   | -    | 25  | 9,0  | 75            | 0,7                | PHP 1SPZ85TB  |
|         |                   | 90                   | 1           | 1210           | 94,0                 | 11     | 32   | 16   | -   | -    | 25  | 9,0  | 75            | 0,7                | PHP 1SPZ90TB  |
|         |                   | 95                   | 1           | 1210           | 99,0                 | 11     | 32   | 16   | -   | -    | 25  | 9,0  | 75            | 0,8                | PHP 1SPZ95TB  |
|         |                   | 100                  | 1           | 1210           | 104,0                | 11     | 32   | 16   | -   | -    | 25  | 9,0  | 75            | 0,9                | PHP 1SPZ100TB |
|         |                   | 106                  | 1           | 1610           | 110,0                | 14     | 42   | 16   | -   | -    | 25  | 9,0  | 80            | 1,0                | PHP 1SPZ106TB |
|         |                   | 112                  | 1           | 1610           | 116,0                | 14     | 42   | 16   | -   | -    | 25  | 9,0  | 80            | 1,1                | PHP 1SPZ112TB |
|         |                   | 118                  | 1           | 1610           | 122,0                | 14     | 42   | 16   | -   | -    | 25  | 9,0  | 80            | 1,2                | PHP 1SPZ118TB |
|         |                   | 125                  | 1           | 1610           | 129,0                | 14     | 42   | 16   | -   | -    | 25  | 9,0  | 80            | 1,3                | PHP 1SPZ125TB |
|         |                   | 132                  | 1           | 1610           | 136,0                | 14     | 42   | 16   | -   | -    | 25  | 9,0  | 80            | 1,5                | PHP 1SPZ132TB |
|         |                   | 140                  | 1           | 1610           | 144,0                | 14     | 42   | 16   | -   | -    | 25  | 9,0  | 80            | 1,7                | PHP 1SPZ140TB |
|         |                   | 150                  | 1           | 1610           | 154,0                | 14     | 42   | 16   | -   | -    | 25  | 9,0  | 80            | 2,0                | PHP 1SPZ150TB |
|         |                   | 160                  | 1           | 1610           | 164,0                | 14     | 42   | 16   | -   | -    | 25  | 9,0  | 80            | 2,2                | PHP 1SPZ160TB |
|         |                   | 170                  | 1           | 1610           | 174,0                | 14     | 42   | 16   | -   | -    | 25  | 9,0  | 80            | 2,2                | PHP 1SPZ170TB |
|         |                   | 180                  | 4           | 1610           | 184,0                | 14     | 42   | 16   | 152 | -    | 25  | 9,0  | 92            | 2,1                | PHP 1SPZ180TB |
|         |                   | 190                  | 4           | 1610           | 194,0                | 14     | 42   | 16   | 161 | -    | 25  | 9,0  | 92            | 2,7                | PHP 1SPZ190TB |
|         |                   | 200                  | 4           | 2012           | 204,0                | 14     | 50   | 16   | 172 | -    | 32  | 16,0 | 100           | 3,4                | PHP 1SPZ200TB |
|         |                   | 224                  | 4           | 2012           | 228,0                | 14     | 50   | 16   | 196 | -    | 32  | 16,0 | 100           | 3,6                | PHP 1SPZ224TB |
|         |                   | 250                  | 4           | 2012           | 254,0                | 14     | 50   | 16   | 222 | 8,0  | 32  | 8,0  | 100           | 4,6                | PHP 1SPZ250TB |
|         |                   | 280                  | 4           | 2012           | 284,0                | 14     | 50   | 16   | 252 | 8,0  | 32  | 8,0  | 100           | 5,5                | PHP 1SPZ280TB |
|         |                   | 315                  | 4           | 2012           | 319,0                | 14     | 50   | 16   | 287 | 8,0  | 32  | 8,0  | 100           | 6,7                | PHP 1SPZ315TB |
|         |                   | 355                  | 4           | 2012           | 359,0                | 14     | 50   | 16   | 326 | 8,0  | 32  | 8,0  | 112           | 6,8                | PHP 1SPZ355TB |
|         |                   | 400                  | 4           | 2012           | 404,0                | 14     | 50   | 16   | 371 | 8,0  | 32  | 8,0  | 112           | 6,9                | PHP 1SPZ400TB |
| 450     | 4                 | 2517                 | 454,0       | 16             | 60                   | 16     | 421  | 14,5 | 45  | 14,5 | 120 | 7,2  | PHP 1SPZ450TB |                    |               |
| SPZ     | 2                 | 50                   | 9           | 1008           | 54,0                 | 9      | 25   | 49   | 28  | 25,0 | 22  | -    | -             | 0,4                | PHP 2SPZ50TB  |
|         |                   | 56                   | 9           | 1008           | 60,0                 | 9      | 25   | 49   | 35  | 27,0 | 22  | -    | -             | 0,5                | PHP 2SPZ56TB  |
|         |                   | 60                   | 9           | 1108           | 64,0                 | 9      | 25   | 49   | 36  | 27,0 | 22  | -    | -             | 0,7                | PHP 2SPZ60TB  |
|         |                   | 63                   | 6           | 1108           | 67,0                 | 9      | 28   | 28   | 40  | 6,0  | 22  | -    | -             | 0,3                | PHP 2SPZ63TB  |
|         |                   | 67                   | 6           | 1108           | 71,0                 | 9      | 28   | 28   | 42  | 6,0  | 22  | -    | -             | 0,4                | PHP 2SPZ67TB  |
|         |                   | 71                   | 6           | 1108           | 75,0                 | 9      | 28   | 28   | 42  | 6,0  | 22  | -    | -             | 0,5                | PHP 2SPZ71TB  |
|         |                   | 75                   | 6           | 1210           | 79,0                 | 11     | 32   | 28   | 51  | 3,0  | 25  | -    | -             | 0,5                | PHP 2SPZ75TB  |
|         |                   | 80                   | 6           | 1210           | 84,0                 | 11     | 32   | 28   | 51  | 3,0  | 25  | -    | -             | 0,6                | PHP 2SPZ80TB  |
|         |                   | 85                   | 6           | 1610           | 89,0                 | 14     | 42   | 28   | 60  | 3,0  | 25  | -    | -             | 0,6                | PHP 2SPZ85TB  |
|         |                   | 90                   | 6           | 1610           | 94,0                 | 14     | 42   | 28   | 61  | 3,0  | 25  | -    | -             | 0,7                | PHP 2SPZ90TB  |
|         |                   | 95                   | 6           | 1610           | 99,0                 | 14     | 42   | 28   | 66  | 3,0  | 25  | -    | -             | 0,8                | PHP 2SPZ95TB  |
|         |                   | 100                  | 6           | 1610           | 104,0                | 14     | 42   | 28   | 71  | 3,0  | 25  | -    | -             | 0,9                | PHP 2SPZ100TB |
|         |                   | 106                  | 6           | 1610           | 110,0                | 14     | 42   | 28   | 76  | 3,0  | 25  | -    | -             | 1,1                | PHP 2SPZ106TB |
|         |                   | 112                  | 6           | 1610           | 116,0                | 14     | 42   | 28   | 84  | 3,0  | 25  | -    | -             | 1,3                | PHP 2SPZ112TB |
|         |                   | 118                  | 6           | 1610           | 122,0                | 14     | 42   | 28   | 90  | 3,0  | 25  | -    | -             | 1,5                | PHP 2SPZ118TB |
|         |                   | 125                  | 6           | 1610           | 129,0                | 14     | 42   | 28   | 97  | 3,0  | 25  | -    | -             | 1,7                | PHP 2SPZ125TB |
|         |                   | 132                  | 6           | 1610           | 136,0                | 14     | 42   | 28   | 104 | 3,0  | 25  | -    | -             | 2,0                | PHP 2SPZ132TB |
|         |                   | 140                  | 6           | 1610           | 144,0                | 14     | 42   | 28   | 112 | 3,0  | 25  | -    | -             | 2,4                | PHP 2SPZ140TB |
|         |                   | 150                  | 1           | 2012           | 154,0                | 14     | 50   | 28   | -   | -    | 32  | 4,0  | 100           | 2,6                | PHP 2SPZ150TB |
|         |                   | 160                  | 1           | 2012           | 164,0                | 14     | 50   | 28   | -   | -    | 32  | 4,0  | 100           | 3,1                | PHP 2SPZ160TB |
|         |                   | 170                  | 1           | 2012           | 174,0                | 14     | 50   | 28   | -   | -    | 32  | 4,0  | 100           | 2,8                | PHP 2SPZ170TB |
|         |                   | 180                  | 8           | 2012           | 184,0                | 14     | 50   | 28   | 152 | -    | 32  | 4,0  | 100           | 2,9                | PHP 2SPZ180TB |

<sup>1)</sup> Mass does not include bushings.  
Non-functional dimensions may vary slightly.

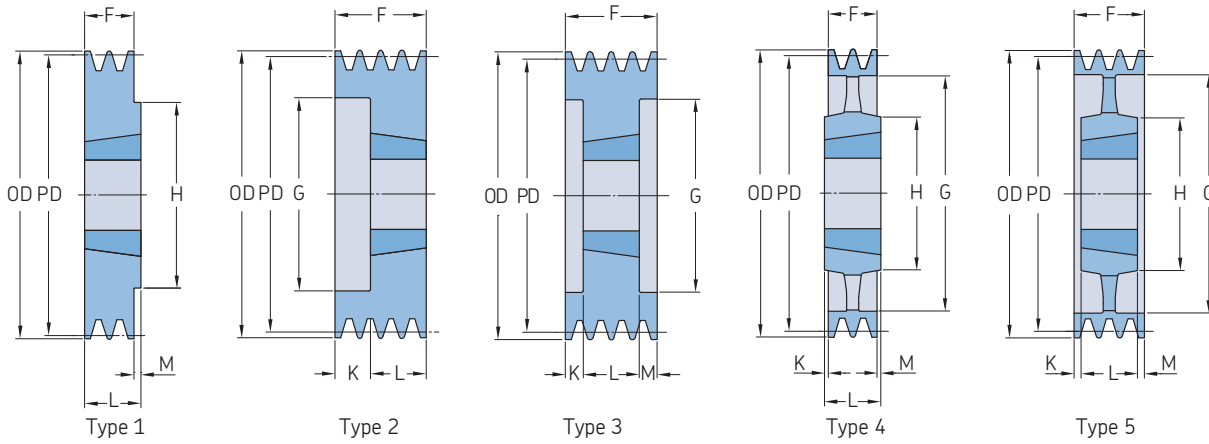
**Wedge belt pulleys**  
SPZ taper bushed



| Section | Number of grooves | Pitch diameter<br>PD | Pulley type | Bushing number | Dimensions           |           |      | F  | G   | K    | L    | M    | H    | Mass <sup>1)</sup><br>kg | Designation   |               |              |
|---------|-------------------|----------------------|-------------|----------------|----------------------|-----------|------|----|-----|------|------|------|------|--------------------------|---------------|---------------|--------------|
|         |                   |                      |             |                | Outer diameter<br>OD | B<br>Min. | Max. |    |     |      |      |      |      |                          |               |               |              |
| mm      |                   |                      |             |                |                      |           |      |    |     |      |      |      |      |                          |               |               |              |
| SPZ     | 2                 | 190                  | 8           | 2012           | 194,0                | 14        | 50   | 28 | 161 | –    | 32   | 4,0  | 100  | 3,1                      | PHP 2SPZ190TB |               |              |
|         |                   | 200                  | 4           | 2012           | 204,0                | 14        | 50   | 28 | 171 | –    | 32   | 4,0  | 100  | 3,4                      | PHP 2SPZ200TB |               |              |
|         |                   | 224                  | 4           | 2012           | 228,0                | 14        | 50   | 28 | 196 | –    | 32   | 4,0  | 100  | 4,5                      | PHP 2SPZ224TB |               |              |
|         |                   | 250                  | 4           | 2012           | 254,0                | 14        | 50   | 28 | 222 | 2,0  | 32   | 2,0  | 100  | 5,4                      | PHP 2SPZ250TB |               |              |
|         |                   |                      | 280         | 4              | 2012                 | 284,0     | 14   | 50 | 28  | 252  | 2,0  | 32   | 2,0  | 100                      | 6,2           | PHP 2SPZ280TB |              |
|         |                   |                      | 315         | 4              | 2012                 | 319,0     | 14   | 50 | 28  | 286  | 2,0  | 32   | 2,0  | 100                      | 7,2           | PHP 2SPZ315TB |              |
|         |                   |                      | 355         | 4              | 2012                 | 359,0     | 14   | 50 | 28  | 326  | 2,0  | 32   | 2,0  | 112                      | 8,6           | PHP 2SPZ355TB |              |
|         |                   |                      | 400         | 4              | 2517                 | 404,0     | 16   | 60 | 28  | 371  | 8,5  | 45   | 8,5  | 120                      | 9,9           | PHP 2SPZ400TB |              |
|         |                   |                      | 450         | 4              | 2517                 | 454,0     | 16   | 60 | 28  | 421  | 8,5  | 45   | 8,5  | 120                      | 11,2          | PHP 2SPZ450TB |              |
|         | SPZ               | 3                    | 63          | 6              | 1108                 | 67,0      | 9    | 28 | 40  | 40   | 18,0 | 22   | –    | –                        | 0,4           | PHP 3SPZ63TB  |              |
|         |                   |                      | 67          | 6              | 1108                 | 71,0      | 9    | 28 | 40  | 42   | 18,0 | 22   | –    | –                        | 0,5           | PHP 3SPZ67TB  |              |
|         |                   |                      | 71          | 6              | 1108                 | 75,0      | 9    | 28 | 40  | 42   | 18,0 | 22   | –    | –                        | 0,6           | PHP 3SPZ71TB  |              |
|         |                   |                      | 75          | 6              | 1210                 | 79,0      | 11   | 32 | 40  | 48   | 15,0 | 25   | –    | –                        | 0,7           | PHP 3SPZ75TB  |              |
|         |                   |                      | 80          | 6              | 1210                 | 84,0      | 11   | 32 | 40  | 51   | 15,0 | 25   | –    | –                        | 0,7           | PHP 3SPZ80TB  |              |
|         |                   |                      |             | 85             | 6                    | 1610      | 89,0 | 14 | 42  | 40   | 60   | 15,0 | 25   | –                        | –             | 0,8           | PHP 3SPZ85TB |
|         |                   |                      |             | 90             | 6                    | 1610      | 94,0 | 14 | 42  | 40   | 61   | 15,0 | 25   | –                        | –             | 0,9           | PHP 3SPZ90TB |
|         |                   |                      |             | 95             | 6                    | 1610      | 99,0 | 14 | 42  | 40   | 66   | 15,0 | 25   | –                        | –             | 1,0           | PHP 3SPZ95TB |
|         |                   |                      | 100         | 6              | 1610                 | 104,0     | 14   | 42 | 40  | 71   | 15,0 | 25   | –    | –                        | 1,1           | PHP 3SPZ100TB |              |
|         |                   |                      | 106         | 6              | 1610                 | 110,0     | 14   | 42 | 40  | 78   | 15,0 | 25   | –    | –                        | 1,4           | PHP 3SPZ106TB |              |
|         |                   |                      | 112         | 6              | 2012                 | 116,0     | 14   | 50 | 40  | 84   | 8,0  | 32   | –    | –                        | 1,4           | PHP 3SPZ112TB |              |
|         |                   |                      | 118         | 6              | 2012                 | 122,0     | 14   | 50 | 40  | 92   | 8,0  | 32   | –    | –                        | 1,7           | PHP 3SPZ118TB |              |
|         |                   |                      | 125         | 2              | 2012                 | 129,0     | 14   | 50 | 40  | 97   | –    | 32   | 8,0  | –                        | 2,0           | PHP 3SPZ125TB |              |
|         |                   |                      | 132         | 2              | 2012                 | 136,0     | 14   | 50 | 40  | 104  | –    | 32   | 8,0  | –                        | 2,3           | PHP 3SPZ132TB |              |
|         |                   |                      | 140         | 2              | 2012                 | 144,0     | 14   | 50 | 40  | 112  | –    | 32   | 8,0  | –                        | 2,7           | PHP 3SPZ140TB |              |
|         |                   |                      | 150         | 2              | 2012                 | 154,0     | 14   | 50 | 40  | 122  | –    | 32   | 8,0  | –                        | 3,3           | PHP 3SPZ150TB |              |
|         |                   |                      | 160         | 2              | 2012                 | 164,0     | 14   | 50 | 40  | 132  | –    | 32   | 8,0  | –                        | 3,9           | PHP 3SPZ160TB |              |
|         |                   |                      | 170         | 3              | 2012                 | 174,0     | 14   | 50 | 40  | 141  | 4,0  | 32   | 4,0  | –                        | 3,2           | PHP 3SPZ170TB |              |
|         |                   |                      | 180         | 7              | 2012                 | 184,0     | 14   | 50 | 40  | 152  | –    | 32   | 8,0  | 100                      | 3,4           | PHP 3SPZ180TB |              |
|         |                   |                      | 190         | 7              | 2012                 | 194,0     | 14   | 50 | 40  | 161  | 4,0  | 32   | 4,0  | 100                      | 3,4           | PHP 3SPZ190TB |              |
|         |                   |                      | 200         | 5              | 2012                 | 204,0     | 14   | 50 | 40  | 172  | 4,0  | 32   | 4,0  | 100                      | 3,9           | PHP 3SPZ200TB |              |
|         |                   |                      | 224         | 5              | 2012                 | 228,0     | 14   | 50 | 40  | 196  | 4,0  | 32   | 4,0  | 100                      | 5,4           | PHP 3SPZ224TB |              |
|         |                   |                      | 250         | 5              | 2012                 | 254,0     | 14   | 50 | 40  | 222  | 4,0  | 32   | 4,0  | 100                      | 6,4           | PHP 3SPZ250TB |              |
|         |                   |                      | 280         | 4              | 2517                 | 284,0     | 16   | 60 | 40  | 252  | 2,5  | 45   | 2,5  | 120                      | 8,3           | PHP 3SPZ280TB |              |
|         |                   |                      | 315         | 4              | 2517                 | 319,0     | 16   | 60 | 40  | 287  | 2,5  | 45   | 2,5  | 120                      | 10,1          | PHP 3SPZ315TB |              |
|         |                   |                      | 355         | 4              | 2517                 | 359,0     | 16   | 60 | 40  | 326  | 2,5  | 45   | 2,5  | 120                      | 11,7          | PHP 3SPZ355TB |              |
|         |                   |                      | 400         | 4              | 2517                 | 404,0     | 16   | 60 | 40  | 371  | 2,5  | 45   | 2,5  | 120                      | 13,3          | PHP 3SPZ400TB |              |
|         |                   |                      | 450         | 4              | 2517                 | 454,0     | 16   | 60 | 40  | 421  | 2,5  | 45   | 2,5  | 120                      | 14,6          | PHP 3SPZ450TB |              |
|         |                   | 500                  | 4           | 2517           | 504,0                | 16        | 60   | 40 | 471 | 2,5  | 45   | 2,5  | 120  | 15,8                     | PHP 3SPZ500TB |               |              |
|         |                   | 630                  | 4           | 3020           | 634,0                | 25        | 75   | 40 | 601 | 5,5  | 45   | 2,5  | 120  | 17,0                     | PHP 3SPZ630TB |               |              |
|         |                   | 800                  | 4           | 3020           | 804,0                | 25        | 75   | 40 | 771 | 5,5  | 51   | 2,5  | 150  | 33,0                     | PHP 3SPZ800TB |               |              |
| SPZ     | 4                 | 63                   | 6           | 1108           | 67,0                 | 9         | 28   | 52 | 38  | 30,0 | 22   | –    | –    | 0,5                      | PHP 4SPZ63TB  |               |              |
|         |                   | 67                   | 6           | 1108           | 71,0                 | 9         | 28   | 52 | 41  | 30,0 | 22   | –    | –    | 0,6                      | PHP 4SPZ67TB  |               |              |
|         |                   | 71                   | 6           | 1108           | 75,0                 | 9         | 28   | 52 | 45  | 30,0 | 22   | –    | –    | 0,7                      | PHP 4SPZ71TB  |               |              |
|         |                   | 75                   | 6           | 1210           | 79,0                 | 11        | 32   | 52 | 46  | 27,0 | 25   | –    | –    | 0,8                      | PHP 4SPZ75TB  |               |              |
|         |                   | 80                   | 6           | 1210           | 84,0                 | 11        | 32   | 52 | 51  | 27,0 | 25   | –    | –    | 0,9                      | PHP 4SPZ80TB  |               |              |
|         |                   |                      |             | 85             | 6                    | 1610      | 89,0 | 14 | 42  | 52   | 60   | 27,0 | 25   | –                        | –             | 1,0           | PHP 4SPZ85TB |
|         |                   |                      | 90          | 6              | 1610                 | 94,0      | 14   | 42 | 52  | 61   | 27,0 | 25   | –    | –                        | 1,1           | PHP 4SPZ90TB  |              |
|         |                   |                      | 95          | 6              | 1610                 | 99,0      | 14   | 42 | 52  | 66   | 27,0 | 25   | –    | –                        | 1,3           | PHP 4SPZ95TB  |              |
|         |                   |                      | 100         | 6              | 1610                 | 104,0     | 14   | 42 | 52  | 72   | 27,0 | 25   | –    | –                        | 1,4           | PHP 4SPZ100TB |              |
|         |                   |                      | 106         | 6              | 1610                 | 110,0     | 14   | 42 | 52  | 80   | 27,0 | 25   | –    | –                        | 1,6           | PHP 4SPZ106TB |              |
|         |                   |                      | 112         | 6              | 2012                 | 116,0     | 14   | 50 | 52  | 86   | 20,0 | 32   | –    | –                        | 1,7           | PHP 4SPZ112TB |              |
|         |                   |                      | 118         | 6              | 2012                 | 122,0     | 14   | 50 | 52  | 92   | 20,0 | 32   | –    | –                        | 2,0           | PHP 4SPZ118TB |              |
|         |                   |                      | 125         | 2              | 2012                 | 129,0     | 14   | 50 | 52  | 99   | –    | 32   | 20,0 | –                        | 2,3           | PHP 4SPZ125TB |              |

<sup>1)</sup> Mass does not include bushings.  
Non-functional dimensions may vary slightly.

**Wedge belt pulleys**  
SPZ taper bushed



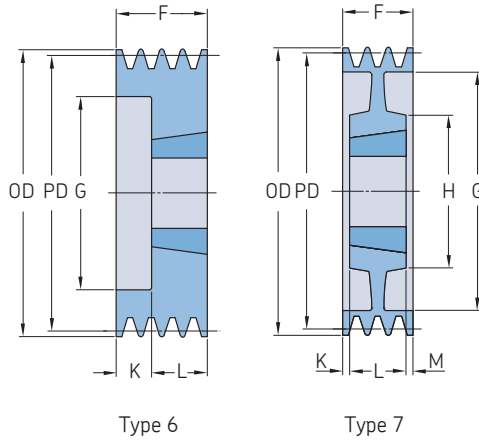
| Section | Number of grooves | Pitch diameter<br>PD | Pulley type | Bushing number | Dimensions           |           |      |    |     |      |      |      |      | Mass <sup>1)</sup> | Designation   |               |
|---------|-------------------|----------------------|-------------|----------------|----------------------|-----------|------|----|-----|------|------|------|------|--------------------|---------------|---------------|
|         |                   |                      |             |                | Outer diameter<br>OD | B<br>Min. | Max. | F  | G   | K    | L    | M    | H    |                    |               |               |
|         |                   |                      |             |                | mm                   |           |      |    |     |      |      |      |      | kg                 |               |               |
| SPZ     | 4                 | 132                  | 2           | 2012           | 136,0                | 14        | 50   | 52 | 104 | -    | 32   | 20,0 | -    | 2,6                | PHP 4SPZ132TB |               |
|         |                   | 140                  | 2           | 2012           | 144,0                | 14        | 50   | 52 | 112 | -    | 32   | 20,0 | -    | 3,1                | PHP 4SPZ140TB |               |
|         |                   | 150                  | 2           | 2517           | 154,0                | 16        | 60   | 52 | 122 | -    | 45   | 7,0  | -    | 3,8                | PHP 4SPZ150TB |               |
|         |                   | 160                  | 2           | 2517           | 164,0                | 16        | 60   | 52 | 132 | -    | 45   | 7,0  | -    | 4,6                | PHP 4SPZ160TB |               |
|         |                   |                      | 170         | 2              | 2517                 | 174,0     | 16   | 65 | 52  | 141  | -    | 45   | 7,0  | -                  | 5,5           | PHP 4SPZ170TB |
|         |                   |                      | 180         | 2              | 2517                 | 184,0     | 16   | 60 | 52  | 152  | -    | 45   | 7,0  | -                  | 6,3           | PHP 4SPZ180TB |
|         |                   |                      | 190         | 3              | 2517                 | 194,0     | 16   | 65 | 52  | 161  | 3,5  | 45   | 3,5  | -                  | 5,3           | PHP 4SPZ190TB |
|         |                   |                      | 200         | 7              | 2517                 | 204,0     | 16   | 60 | 52  | 172  | 3,5  | 45   | 3,5  | 120                | 5,4           | PHP 4SPZ200TB |
|         |                   |                      | 224         | 5              | 2517                 | 228,0     | 16   | 60 | 52  | 196  | 3,5  | 45   | 3,5  | 120                | 7,0           | PHP 4SPZ224TB |
|         |                   |                      | 250         | 5              | 2517                 | 254,0     | 16   | 60 | 52  | 222  | 3,5  | 45   | 3,5  | 120                | 8,0           | PHP 4SPZ250TB |
|         |                   |                      | 280         | 5              | 2517                 | 284,0     | 16   | 60 | 52  | 252  | 3,5  | 45   | 3,5  | 120                | 9,5           | PHP 4SPZ280TB |
|         |                   |                      | 315         | 5              | 2517                 | 319,0     | 16   | 60 | 52  | 287  | 3,5  | 45   | 3,5  | 120                | 12,1          | PHP 4SPZ315TB |
|         |                   |                      | 355         | 5              | 2517                 | 359,0     | 16   | 60 | 52  | 326  | 3,5  | 45   | 3,5  | 120                | 12,8          | PHP 4SPZ355TB |
|         |                   |                      | 400         | 5              | 2517                 | 404,0     | 16   | 60 | 52  | 371  | 3,5  | 45   | 3,5  | 120                | 13,6          | PHP 4SPZ400TB |
|         |                   |                      | 450         | 5              | 3020                 | 454,0     | 25   | 75 | 52  | 421  | 0,5  | 51   | 0,5  | 150                | 14,5          | PHP 4SPZ450TB |
|         |                   |                      | 500         | 5              | 3020                 | 504,0     | 25   | 75 | 52  | 471  | 0,5  | 51   | 0,5  | 150                | 17,3          | PHP 4SPZ500TB |
|         |                   |                      | 630         | 4              | 3030                 | 634,0     | 35   | 75 | 52  | 601  | 12,0 | 76   | 12,0 | 150                | 23,0          | PHP 4SPZ630TB |
|         |                   |                      | 800         | 4              | 3030                 | 804,0     | 35   | 75 | 52  | 771  | 12,0 | 76   | 12,0 | 150                | 36,0          | PHP 4SPZ800TB |
|         | SPZ               | 5                    | 85          | 6              | 1610                 | 89,0      | 14   | 42 | 64  | 60   | 39,0 | 25   | -    | -                  | 1,3           | PHP 5SPZ85TB  |
|         |                   |                      | 90          | 6              | 1610                 | 94,0      | 14   | 42 | 64  | 61   | 39,0 | 25   | -    | -                  | 1,3           | PHP 5SPZ90TB  |
| 95      |                   |                      | 6           | 1610           | 99,0                 | 14        | 42   | 64 | 66  | 39,0 | 25   | -    | -    | 1,5                | PHP 5SPZ95TB  |               |
| 100     |                   |                      | 6           | 2012           | 104,0                | 14        | 50   | 64 | 72  | 32,0 | 32   | -    | -    | 1,6                | PHP 5SPZ100TB |               |
|         |                   |                      | 106         | 6              | 2012                 | 110,0     | 14   | 50 | 64  | 78   | 32,0 | 32   | -    | -                  | 1,8           | PHP 5SPZ106TB |
|         |                   |                      | 112         | 6              | 2012                 | 116,0     | 14   | 50 | 64  | 84   | 32,0 | 32   | -    | -                  | 2,0           | PHP 5SPZ112TB |
|         |                   |                      | 118         | 6              | 2012                 | 122,0     | 14   | 50 | 64  | 90   | 32,0 | 32   | -    | -                  | 2,3           | PHP 5SPZ118TB |
|         |                   |                      | 125         | 6              | 2012                 | 129,0     | 14   | 50 | 64  | 97   | 32,0 | 32   | -    | -                  | 2,7           | PHP 5SPZ125TB |
|         |                   |                      | 132         | 6              | 2517                 | 136,0     | 16   | 60 | 64  | 104  | 19,0 | 45   | -    | -                  | 2,8           | PHP 5SPZ132TB |
|         |                   |                      | 140         | 2              | 2517                 | 144,0     | 16   | 60 | 64  | 112  | -    | 45   | 19,0 | -                  | 3,4           | PHP 5SPZ140TB |
|         |                   |                      | 150         | 2              | 2517                 | 154,0     | 16   | 60 | 64  | 122  | -    | 45   | 19,0 | -                  | 4,3           | PHP 5SPZ150TB |
|         |                   |                      | 160         | 2              | 2517                 | 164,0     | 16   | 60 | 64  | 132  | -    | 45   | 19,0 | -                  | 5,1           | PHP 5SPZ160TB |
|         |                   |                      | 170         | 2              | 2517                 | 174,0     | 16   | 60 | 64  | 141  | -    | 45   | 19,0 | -                  | 5,7           | PHP 5SPZ170TB |
|         |                   |                      | 180         | 2              | 2517                 | 184,0     | 16   | 60 | 64  | 152  | -    | 45   | 19,0 | -                  | 6,8           | PHP 5SPZ180TB |
|         |                   |                      | 190         | 3              | 2517                 | 194,0     | 16   | 60 | 64  | 161  | 9,5  | 45   | 9,5  | -                  | 7,8           | PHP 5SPZ190TB |
|         |                   |                      | 200         | 5              | 2517                 | 204,0     | 16   | 60 | 64  | 172  | 9,5  | 45   | 9,5  | -                  | 8,8           | PHP 5SPZ200TB |
|         |                   |                      | 224         | 5              | 2517                 | 228,0     | 16   | 60 | 64  | 196  | 9,5  | 45   | 9,5  | 120                | 8,8           | PHP 5SPZ224TB |
|         |                   |                      | 250         | 5              | 2517                 | 254,0     | 16   | 60 | 64  | 222  | 9,5  | 45   | 9,5  | 120                | 9,0           | PHP 5SPZ250TB |
|         |                   |                      | 280         | 5              | 2517                 | 284,0     | 16   | 60 | 64  | 252  | 9,5  | 45   | 9,5  | 120                | 11,0          | PHP 5SPZ280TB |
|         |                   |                      | 315         | 5              | 2517                 | 319,0     | 16   | 60 | 64  | 287  | 9,5  | 45   | 9,5  | 120                | 13,3          | PHP 5SPZ315TB |
|         |                   | 355                  | 5           | 2517           | 359,0                | 16        | 60   | 64 | 326 | 9,5  | 45   | 9,5  | 120  | 13,0               | PHP 5SPZ355TB |               |
|         |                   | 400                  | 5           | 3020           | 404,0                | 25        | 75   | 64 | 371 | 6,5  | 51   | 6,5  | 150  | 15,6               | PHP 5SPZ400TB |               |
|         |                   | 450                  | 5           | 3020           | 454,0                | 25        | 75   | 64 | 421 | 6,5  | 51   | 6,5  | 150  | 19,0               | PHP 5SPZ450TB |               |
|         |                   | 500                  | 4           | 3030           | 504,0                | 35        | 75   | 64 | 471 | 6,0  | 51   | 6,0  | 150  | 22,6               | PHP 5SPZ500TB |               |
|         |                   | 630                  | 4           | 3030           | 634,0                | 35        | 75   | 64 | 601 | 6,0  | 51   | 6,0  | 150  | 29,0               | PHP 5SPZ630TB |               |
|         |                   | 800                  | 4           | 3535           | 804,0                | 35        | 90   | 64 | 771 | 12,5 | 89   | 12,5 | 170  | 44,1               | PHP 5SPZ800TB |               |
| SPZ     | 6                 | 85                   | 6           | 1610           | 89,0                 | 14        | 42   | 76 | 61  | 51,0 | 25   | -    | -    | 1,3                | PHP 6SPZ85TB  |               |
|         |                   | 90                   | 6           | 1610           | 94,0                 | 14        | 42   | 76 | 61  | 51,0 | 25   | -    | -    | 1,5                | PHP 6SPZ90TB  |               |
|         |                   | 95                   | 6           | 1610           | 99,0                 | 14        | 42   | 76 | 66  | 51,0 | 25   | -    | -    | 1,7                | PHP 6SPZ95TB  |               |
|         |                   | 100                  | 6           | 2012           | 104,0                | 14        | 50   | 76 | 72  | 44,0 | 32   | -    | -    | 1,9                | PHP 6SPZ100TB |               |
|         |                   |                      | 106         | 6              | 2012                 | 110,0     | 14   | 50 | 76  | 78   | 44,0 | 32   | -    | -                  | 2,0           | PHP 6SPZ106TB |
|         |                   |                      | 112         | 6              | 2012                 | 116,0     | 14   | 50 | 76  | 84   | 44,0 | 32   | -    | -                  | 2,3           | PHP 6SPZ112TB |
|         |                   |                      | 118         | 6              | 2517                 | 122,0     | 16   | 60 | 76  | 90   | 31,0 | 45   | -    | -                  | 2,3           | PHP 6SPZ118TB |
|         |                   |                      | 125         | 6              | 2517                 | 129,0     | 16   | 60 | 76  | 97   | 31,0 | 45   | -    | -                  | 2,7           | PHP 6SPZ125TB |
|         |                   |                      | 132         | 6              | 2517                 | 136,0     | 16   | 60 | 76  | 104  | 31,0 | 45   | -    | -                  | 3,2           | PHP 6SPZ132TB |

<sup>1)</sup> Mass does not include bushings.  
Non-functional dimensions may vary slightly.



# Wedge belt pulleys

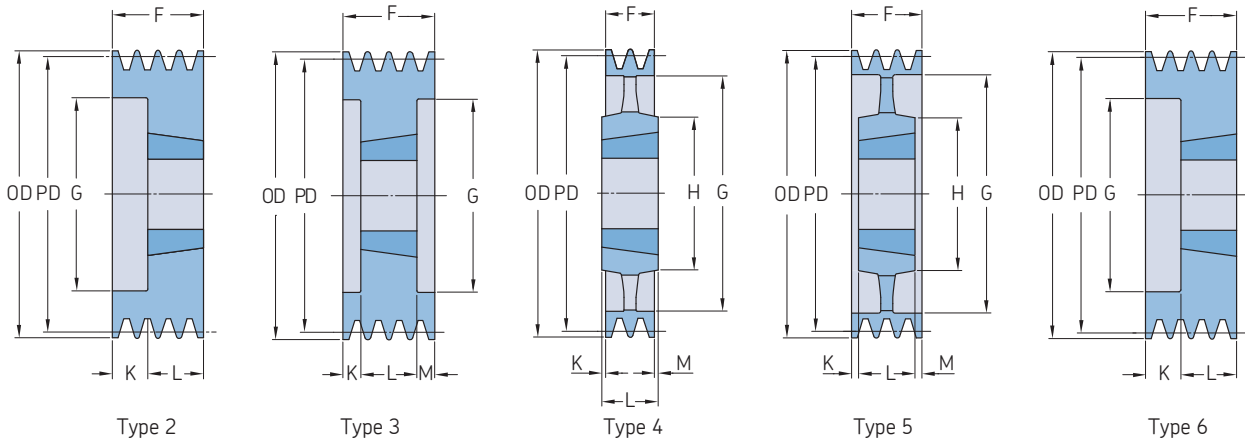
SPZ taper bushed | SPA taper bushed



| Section | Number of grooves | Pitch diameter<br>PD | Pulley type | Bushing number | Dimensions           |                |       |     |     |      |      |      |               | Mass <sup>1)</sup><br>kg | Designation   |               |               |
|---------|-------------------|----------------------|-------------|----------------|----------------------|----------------|-------|-----|-----|------|------|------|---------------|--------------------------|---------------|---------------|---------------|
|         |                   |                      |             |                | Outer diameter<br>OD | B<br>Min. Max. | F     | G   | K   | L    | M    | H    |               |                          |               |               |               |
|         |                   |                      |             |                | mm                   |                |       |     |     |      |      |      |               |                          |               |               |               |
| SPZ     | 6                 | 140                  | 2           | 2517           | 144,0                | 16             | 60    | 76  | 112 | –    | 45   | 31,0 | –             | 3,8                      | PHP 6SPZ140TB |               |               |
|         |                   | 150                  | 2           | 2517           | 154,0                | 16             | 60    | 76  | 122 | –    | 45   | 31,0 | –             | 4,6                      | PHP 6SPZ150TB |               |               |
|         |                   | 160                  | 2           | 2517           | 164,0                | 16             | 60    | 76  | 132 | –    | 45   | 31,0 | –             | 5,5                      | PHP 6SPZ160TB |               |               |
|         |                   | 170                  | 2           | 2517           | 174,0                | 16             | 65    | 76  | 141 | –    | 45   | 31,0 | –             | 6,5                      | PHP 6SPZ170TB |               |               |
|         |                   | 180                  | 3           | 2517           | 184,0                | 16             | 60    | 76  | 152 | 15,5 | 45   | 15,5 | –             | 7,3                      | PHP 6SPZ180TB |               |               |
|         |                   | 190                  | 3           | 2517           | 194,0                | 16             | 65    | 76  | 161 | 15,5 | 45   | 15,5 | 120           | 8,4                      | PHP 6SPZ190TB |               |               |
|         | SPZ               | 8                    | 200         | 3              | 2517                 | 204,0          | 16    | 60  | 76  | 172  | 15,5 | 45   | 15,5          | 120                      | 9,4           | PHP 6SPZ200TB |               |
|         |                   |                      | 224         | 5              | 2517                 | 228,0          | 16    | 60  | 76  | 196  | 15,5 | 45   | 15,5          | 120                      | 9,7           | PHP 6SPZ224TB |               |
|         |                   |                      | 250         | 5              | 2517                 | 254,0          | 16    | 60  | 76  | 222  | 15,5 | 45   | 15,5          | 120                      | 11,8          | PHP 6SPZ250TB |               |
|         |                   |                      | 280         | 5              | 2517                 | 284,0          | 16    | 60  | 76  | 252  | 15,5 | 45   | 15,5          | 120                      | 12,8          | PHP 6SPZ280TB |               |
|         |                   |                      | 315         | 5              | 2517                 | 319,0          | 16    | 60  | 76  | 287  | 15,5 | 45   | 15,5          | 120                      | 13,8          | PHP 6SPZ315TB |               |
|         |                   |                      | 355         | 5              | 2517                 | 359,0          | 16    | 60  | 76  | 326  | 15,5 | 45   | 15,5          | 125                      | 15,0          | PHP 6SPZ355TB |               |
|         |                   | SPZ                  | 8           | 400            | 5                    | 3020           | 404,0 | 25  | 75  | 76   | 371  | –    | 76            | –                        | 150           | 18,3          | PHP 6SPZ400TB |
|         |                   |                      |             | 450            | 5                    | 3020           | 454,0 | 25  | 75  | 76   | 421  | –    | 76            | –                        | 150           | 21,5          | PHP 6SPZ450TB |
|         |                   |                      |             | 500            | 5                    | 3020           | 504,0 | 25  | 75  | 76   | 471  | –    | 76            | –                        | 150           | 24,6          | PHP 6SPZ500TB |
|         |                   |                      |             | 630            | 4                    | 3535           | 634,0 | 35  | 90  | 76   | 601  | 6,5  | 89            | 6,5                      | 170           | 35,0          | PHP 6SPZ630TB |
| 800     |                   |                      |             | 4              | 3535                 | 804,0          | 35    | 90  | 76  | 771  | 6,5  | 89   | 6,5           | 170                      | 57,9          | PHP 6SPZ800TB |               |
| 140     |                   |                      |             | 3              | 2517                 | 144,0          | 16    | 60  | 100 | 112  | 27,5 | 45   | 27,5          | –                        | 4,0           | PHP 8SPZ140TB |               |
| 150     |                   |                      |             | 3              | 2517                 | 154,0          | 16    | 60  | 100 | 122  | 27,5 | 45   | 27,5          | –                        | 5,1           | PHP 8SPZ150TB |               |
| 160     |                   |                      |             | 3              | 2517                 | 164,0          | 16    | 60  | 100 | 132  | 27,5 | 45   | 27,5          | –                        | 5,6           | PHP 8SPZ160TB |               |
| 180     |                   |                      |             | 3              | 2517                 | 184,0          | 16    | 60  | 100 | 152  | 27,5 | 45   | 27,5          | –                        | 7,1           | PHP 8SPZ180TB |               |
| 200     |                   |                      |             | 3              | 3020                 | 204,0          | 25    | 75  | 100 | 171  | 24,5 | 51   | 24,5          | –                        | 9,3           | PHP 8SPZ200TB |               |
| SPA     | 1                 | 224                  | 3           | 3020           | 228,0                | 25             | 75    | 100 | 195 | 24,5 | 51   | 24,5 | –             | 11,8                     | PHP 8SPZ224TB |               |               |
|         |                   | 250                  | 5           | 3020           | 254,0                | 25             | 75    | 100 | 221 | 24,5 | 51   | 24,5 | 150           | 10,5                     | PHP 8SPZ250TB |               |               |
|         |                   | 280                  | 5           | 3020           | 284,0                | 25             | 75    | 100 | 252 | 24,5 | 51   | 24,5 | 150           | 10,8                     | PHP 8SPZ280TB |               |               |
|         |                   | 355                  | 5           | 3030           | 359,0                | 35             | 75    | 100 | 326 | 12,0 | 76   | 12,0 | 150           | 16,0                     | PHP 8SPZ355TB |               |               |
|         |                   | 400                  | 5           | 3030           | 404,0                | 35             | 75    | 100 | 371 | 12,0 | 76   | 12,0 | 150           | 18,2                     | PHP 8SPZ400TB |               |               |
|         |                   | 450                  | 5           | 3535           | 454,0                | 35             | 90    | 100 | 421 | 5,5  | 89   | 5,5  | 170           | 24,0                     | PHP 8SPZ450TB |               |               |
|         |                   | 63                   | 1           | 1108           | 68,5                 | 9              | 25    | 20  | –   | –    | 22   | 2,0  | 62            | 0,8                      | PHP 1SPA63TB  |               |               |
|         |                   | 67                   | 1           | 1108           | 72,5                 | 9              | 28    | 20  | –   | –    | 22   | 2,0  | 62            | 0,5                      | PHP 1SPA67TB  |               |               |
|         |                   | 71                   | 1           | 1108           | 76,5                 | 9              | 28    | 20  | –   | –    | 22   | 2,0  | 62            | 0,5                      | PHP 1SPA71TB  |               |               |
|         |                   | 75                   | 1           | 1108           | 80,5                 | 9              | 28    | 22  | –   | –    | 22   | 2,0  | 62            | 0,4                      | PHP 1SPA75TB  |               |               |
|         |                   | 80                   | 1           | 1210           | 85,5                 | 11             | 32    | 20  | –   | –    | 25   | 5,0  | 75            | 0,5                      | PHP 1SPA80TB  |               |               |
|         |                   | 85                   | 1           | 1210           | 90,5                 | 11             | 32    | 20  | –   | –    | 25   | 5,0  | 75            | 0,6                      | PHP 1SPA85TB  |               |               |
|         |                   | 90                   | 1           | 1210           | 95,5                 | 11             | 32    | 20  | –   | –    | 25   | 5,0  | 75            | 0,7                      | PHP 1SPA90TB  |               |               |
|         |                   | 95                   | 1           | 1210           | 100,5                | 11             | 32    | 20  | –   | –    | 25   | 5,0  | 75            | 0,9                      | PHP 1SPA95TB  |               |               |
|         |                   | 100                  | 1           | 1610           | 105,5                | 14             | 42    | 20  | –   | –    | 25   | 5,0  | 80            | 0,8                      | PHP 1SPA100TB |               |               |
|         |                   | 106                  | 1           | 1610           | 111,5                | 14             | 42    | 20  | –   | –    | 25   | 5,0  | 80            | 0,9                      | PHP 1SPA106TB |               |               |
| 112     | 1                 | 1610                 | 117,5       | 14             | 42                   | 20             | –     | –   | 25  | 5,0  | 80   | 1,1  | PHP 1SPA112TB |                          |               |               |               |
| 118     | 1                 | 1610                 | 123,5       | 14             | 42                   | 20             | –     | –   | 25  | 5,0  | 80   | 1,2  | PHP 1SPA118TB |                          |               |               |               |
| 125     | 1                 | 1610                 | 130,5       | 14             | 42                   | 20             | –     | –   | 25  | 5,0  | 80   | 1,4  | PHP 1SPA125TB |                          |               |               |               |
| 132     | 1                 | 1610                 | 137,5       | 14             | 42                   | 20             | –     | –   | 25  | 5,0  | 80   | 1,6  | PHP 1SPA132TB |                          |               |               |               |
| 140     | 1                 | 1610                 | 145,5       | 14             | 42                   | 20             | –     | –   | 25  | 5,0  | 80   | 1,8  | PHP 1SPA140TB |                          |               |               |               |
| 150     | 1                 | 1610                 | 155,5       | 14             | 42                   | 20             | –     | –   | 25  | 5,0  | 80   | 2,1  | PHP 1SPA150TB |                          |               |               |               |
| 160     | 1                 | 1610                 | 165,5       | 14             | 42                   | 20             | –     | –   | 25  | 5,0  | 80   | 2,4  | PHP 1SPA160TB |                          |               |               |               |
| 170     | 1                 | 1610                 | 175,5       | 14             | 42                   | 20             | –     | –   | 25  | 5,0  | 80   | 1,1  | PHP 1SPA170TB |                          |               |               |               |
| 180     | 4                 | 1610                 | 185,5       | 14             | 42                   | 20             | 145   | –   | 25  | 5,0  | 92   | 2,3  | PHP 1SPA180TB |                          |               |               |               |
| 190     | 4                 | 1610                 | 195,5       | 14             | 42                   | 20             | 156   | –   | 25  | 5,0  | 92   | 2,7  | PHP 1SPA190TB |                          |               |               |               |
| 200     | 4                 | 2012                 | 205,5       | 14             | 50                   | 20             | 165   | –   | 32  | 12,0 | 108  | 2,3  | PHP 1SPA200TB |                          |               |               |               |
| 212     | 4                 | 2012                 | 217,5       | 14             | 50                   | 20             | 177   | –   | 32  | 12,0 | 110  | 3,5  | PHP 1SPA212TB |                          |               |               |               |
| 224     | 4                 | 2012                 | 229,5       | 14             | 50                   | 20             | 189   | –   | 32  | 12,0 | 112  | 4,0  | PHP 1SPA224TB |                          |               |               |               |
| 250     | 4                 | 2012                 | 259,5       | 14             | 50                   | 20             | 215   | 6,0 | 32  | 6,0  | 112  | 4,8  | PHP 1SPA250TB |                          |               |               |               |
| 280     | 4                 | 2012                 | 289,5       | 14             | 50                   | 20             | 245   | –   | 32  | 12,0 | 112  | 6,3  | PHP 1SPA280TB |                          |               |               |               |

<sup>1)</sup> Mass does not include bushings.  
Non-functional dimensions may vary slightly.

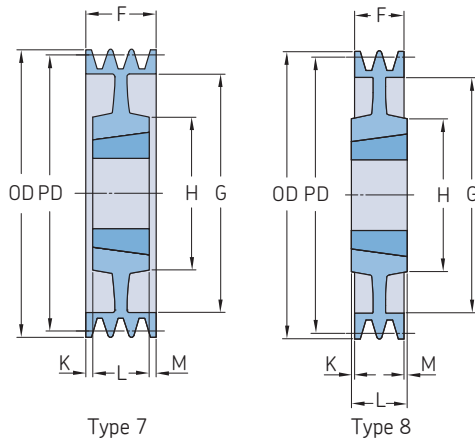
**Wedge belt pulleys**  
SPA taper bushed



| Section | Number of grooves | Pitch diameter | Pulley type | Bushing number | Dimensions        |        |      |     | F   | G    | K    | L    | M             | H             | Mass <sup>1)</sup> | Designation  |    |  |
|---------|-------------------|----------------|-------------|----------------|-------------------|--------|------|-----|-----|------|------|------|---------------|---------------|--------------------|--------------|----|--|
|         |                   | PD             |             |                | Outer diameter OD | B Min. | Max. |     |     |      |      |      |               |               |                    |              |    |  |
|         |                   | mm             | mm          |                |                   |        |      |     |     |      |      |      |               |               |                    |              | kg |  |
| SPA     | 1                 | 315            | 4           | 2012           | 320,5             | 14     | 50   | 20  | 280 | -    | 32   | 12,0 | 112           | 7,2           | PHP 1SPA315TB      |              |    |  |
|         |                   | 355            | 4           | 2012           | 360,5             | 14     | 50   | 20  | 320 | -    | 32   | 12,0 | 112           | 7,6           | PHP 1SPA355TB      |              |    |  |
|         |                   | 400            | 4           | 2012           | 405,5             | 14     | 50   | 20  | 365 | -    | 32   | 12,0 | 112           | 7,9           | PHP 1SPA400TB      |              |    |  |
|         |                   | 450            | 4           | 2012           | 455,5             | 16     | 60   | 20  | 415 | -    | 32   | 12,0 | 112           | 8,4           | PHP 1SPA450TB      |              |    |  |
|         |                   | 500            | 4           | 2517           | 505,5             | 16     | 60   | 20  | 465 | -    | 45   | 12,0 | 112           | 9,4           | PHP 1SPA500TB      |              |    |  |
|         |                   | 630            | 4           | 2517           | 635,5             | 16     | 60   | 20  | 595 | -    | 45   | 12,0 | 112           | 13,1          | PHP 1SPA630TB      |              |    |  |
|         | SPA               | 2              | 63          | 6              | 1008              | 68,5   | 9    | 28  | 35  | 33   | 13,0 | 22   | -             | -             | 0,6                | PHP 2SPA63TB |    |  |
|         |                   |                | 67          | 6              | 1108              | 72,5   | 9    | 28  | 35  | 37   | 13,0 | 22   | -             | -             | 0,4                | PHP 2SPA67TB |    |  |
|         |                   |                | 71          | 6              | 1108              | 76,5   | 9    | 28  | 35  | 40   | 13,0 | 22   | -             | -             | 0,5                | PHP 2SPA71TB |    |  |
|         |                   |                | 75          | 6              | 1108              | 80,5   | 9    | 28  | 35  | 44   | 13,0 | 25   | -             | -             | 0,7                | PHP 2SPA75TB |    |  |
| 80      |                   |                | 6           | 1210           | 85,5              | 11     | 32   | 35  | 47  | 10,0 | 25   | -    | -             | 0,6           | PHP 2SPA80TB       |              |    |  |
| 85      |                   |                | 6           | 1210           | 90,5              | 11     | 32   | 35  | 50  | 10,0 | 25   | -    | -             | 0,7           | PHP 2SPA85TB       |              |    |  |
| 90      |                   |                | 6           | 1610           | 95,5              | 14     | 42   | 35  | 60  | 10,0 | 25   | -    | -             | 0,7           | PHP 2SPA90TB       |              |    |  |
| 95      |                   |                | 6           | 1610           | 100,5             | 14     | 42   | 35  | 64  | 10,0 | 25   | -    | -             | 0,9           | PHP 2SPA95TB       |              |    |  |
| 100     |                   |                | 6           | 1610           | 105,5             | 14     | 42   | 35  | 70  | 10,0 | 25   | -    | -             | 1,1           | PHP 2SPA100TB      |              |    |  |
| 106     |                   |                | 6           | 1610           | 111,5             | 14     | 42   | 35  | 76  | 10,0 | 25   | -    | -             | 1,2           | PHP 2SPA106TB      |              |    |  |
| 112     |                   |                | 6           | 1610           | 117,5             | 14     | 42   | 35  | 80  | 10,0 | 25   | -    | -             | 1,4           | PHP 2SPA112TB      |              |    |  |
| 118     |                   |                | 6           | 1610           | 123,5             | 14     | 42   | 35  | 86  | 10,0 | 25   | -    | -             | 1,6           | PHP 2SPA118TB      |              |    |  |
| 125     |                   |                | 6           | 1610           | 130,5             | 14     | 42   | 35  | 90  | 10,0 | 25   | -    | -             | 1,9           | PHP 2SPA125TB      |              |    |  |
| 132     |                   |                | 6           | 2012           | 137,5             | 14     | 50   | 35  | 98  | 3,0  | 32   | -    | -             | 2,1           | PHP 2SPA132TB      |              |    |  |
| 140     |                   |                | 6           | 2012           | 145,5             | 14     | 50   | 35  | 106 | 3,0  | 32   | -    | -             | 2,6           | PHP 2SPA140TB      |              |    |  |
| 150     |                   |                | 6           | 2012           | 155,5             | 14     | 50   | 35  | 116 | 3,0  | 32   | -    | -             | 3,2           | PHP 2SPA150TB      |              |    |  |
| 160     |                   |                | 6           | 2012           | 165,5             | 14     | 50   | 35  | 125 | 3,0  | 32   | -    | -             | 3,8           | PHP 2SPA160TB      |              |    |  |
| 170     |                   |                | 6           | 2012           | 175,5             | 14     | 50   | 35  | 135 | 3,0  | 32   | -    | -             | 4,5           | PHP 2SPA170TB      |              |    |  |
| 180     |                   |                | 7           | 2012           | 185,5             | 14     | 50   | 35  | 148 | 2,0  | 32   | 2,0  | 100           | 5,2           | PHP 2SPA180TB      |              |    |  |
| 190     |                   |                | 7           | 2012           | 195,5             | 14     | 50   | 35  | 158 | 2,0  | 32   | 2,0  | 100           | 4,4           | PHP 2SPA190TB      |              |    |  |
| 200     |                   |                | 8           | 2517           | 205,5             | 16     | 60   | 35  | 165 | 5,0  | 45   | 5,0  | 120           | 4,9           | PHP 2SPA200TB      |              |    |  |
| 212     |                   |                | 4           | 2517           | 217,5             | 16     | 65   | 35  | 177 | 5,0  | 45   | 5,0  | 120           | 5,8           | PHP 2SPA212TB      |              |    |  |
| 224     |                   |                | 4           | 2517           | 229,5             | 16     | 60   | 35  | 189 | -    | 45   | 10,0 | 120           | 6,6           | PHP 2SPA224TB      |              |    |  |
| 250     |                   |                | 4           | 2517           | 255,5             | 16     | 60   | 35  | 215 | 5,0  | 45   | 5,0  | 120           | 6,8           | PHP 2SPA250TB      |              |    |  |
| 280     |                   |                | 4           | 2517           | 285,5             | 16     | 60   | 35  | 245 | -    | 45   | 10,0 | 120           | 8,3           | PHP 2SPA280TB      |              |    |  |
| 315     |                   |                | 4           | 2517           | 320,5             | 16     | 60   | 35  | 280 | -    | 45   | 10,0 | 120           | 10,2          | PHP 2SPA315TB      |              |    |  |
| 355     |                   |                | 4           | 2517           | 360,5             | 16     | 60   | 35  | 320 | -    | 45   | 10,0 | 120           | 10,5          | PHP 2SPA355TB      |              |    |  |
| 400     |                   |                | 4           | 2517           | 405,5             | 16     | 60   | 35  | 365 | -    | 45   | 10,0 | 120           | 11,3          | PHP 2SPA400TB      |              |    |  |
| 450     | 4                 | 2517           | 455,5       | 16             | 60                | 35     | 465  | -   | 45  | 10,0 | 120  | 15,0 | PHP 2SPA450TB |               |                    |              |    |  |
| 500     | 4                 | 2517           | 505,5       | 16             | 60                | 35     | 525  | -   | 51  | 16,0 | 150  | 18,7 | PHP 2SPA500TB |               |                    |              |    |  |
|         | 630               | 4              | 3020        | 635,5          | 25                | 75     | 35   | 595 | 8,0 | 51   | 8,0  | 150  | 22,0          | PHP 2SPA630TB |                    |              |    |  |
| SPA     | 3                 | 71             | 6           | 1108           | 76,5              | 9      | 28   | 50  | 40  | 28,0 | 22   | -    | -             | 0,7           | PHP 3SPA71TB       |              |    |  |
|         |                   | 75             | 6           | 1108           | 80,5              | 9      | 28   | 50  | 44  | 28,0 | 25   | -    | -             | 0,8           | PHP 3SPA75TB       |              |    |  |
|         |                   | 80             | 6           | 1210           | 85,5              | 11     | 32   | 50  | 47  | 25,0 | 25   | -    | -             | 0,9           | PHP 3SPA80TB       |              |    |  |
|         |                   | 85             | 6           | 1210           | 90,5              | 11     | 32   | 50  | 50  | 25,0 | 25   | -    | -             | 1,0           | PHP 3SPA85TB       |              |    |  |
|         |                   | 90             | 6           | 1610           | 95,5              | 14     | 42   | 50  | 60  | 25,0 | 25   | -    | -             | 1,0           | PHP 3SPA90TB       |              |    |  |
|         |                   | 95             | 6           | 1610           | 100,5             | 14     | 42   | 50  | 64  | 25,0 | 25   | -    | -             | 1,2           | PHP 3SPA95TB       |              |    |  |
|         |                   | 100            | 2           | 1610           | 105,5             | 14     | 42   | 50  | 70  | -    | 25   | 25,0 | -             | 1,3           | PHP 3SPA100TB      |              |    |  |
|         |                   | 106            | 2           | 1610           | 111,5             | 14     | 42   | 50  | 76  | -    | 25   | 25,0 | -             | 1,6           | PHP 3SPA106TB      |              |    |  |
|         |                   | 112            | 6           | 2012           | 117,5             | 14     | 50   | 50  | 83  | 18,0 | 32   | -    | -             | 1,6           | PHP 3SPA112TB      |              |    |  |
|         |                   | 118            | 2           | 2012           | 123,5             | 14     | 50   | 50  | 86  | -    | 32   | 18,0 | -             | 1,9           | PHP 3SPA118TB      |              |    |  |
|         |                   | 125            | 2           | 2012           | 130,5             | 14     | 50   | 50  | 92  | -    | 32   | 18,0 | -             | 2,3           | PHP 3SPA125TB      |              |    |  |
|         |                   | 132            | 2           | 2012           | 137,5             | 14     | 50   | 50  | 98  | -    | 32   | 18,0 | -             | 2,6           | PHP 3SPA132TB      |              |    |  |
|         |                   | 140            | 6           | 2517           | 145,5             | 16     | 60   | 50  | 106 | 5,0  | 45   | -    | -             | 2,9           | PHP 3SPA140TB      |              |    |  |
|         |                   | 150            | 6           | 2517           | 155,5             | 16     | 60   | 50  | 116 | 5,0  | 45   | -    | -             | 3,7           | PHP 3SPA150TB      |              |    |  |
|         |                   | 160            | 6           | 2517           | 165,5             | 16     | 60   | 50  | 126 | 5,0  | 45   | -    | -             | 4,5           | PHP 3SPA160TB      |              |    |  |

<sup>1)</sup> Mass does not include bushings.  
Non-functional dimensions may vary slightly.

**Wedge belt pulleys**  
SPA taper bushed

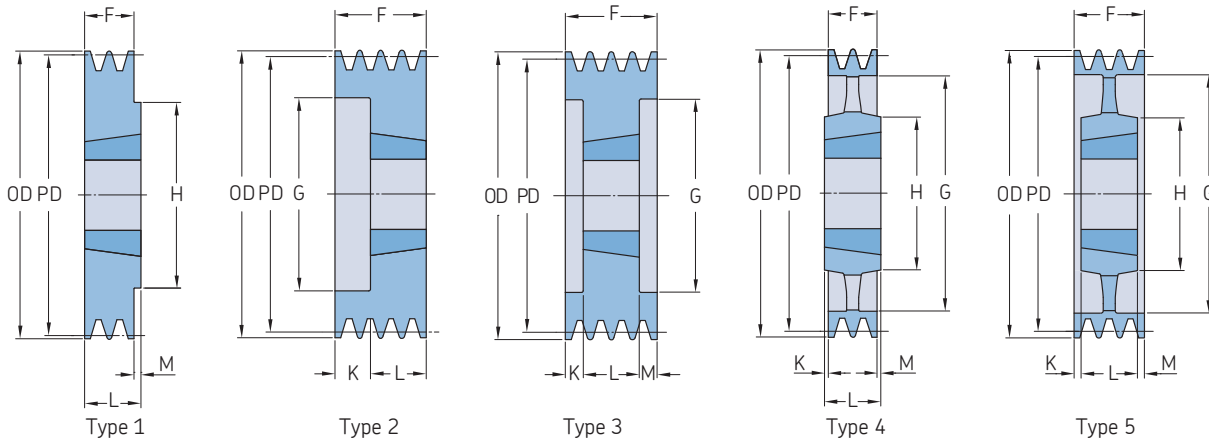


| Section | Number of grooves | Pitch diameter<br>PD | Pulley type | Bushing number | Dimensions           |           |      |    | F   | G    | K   | L    | M   | H    | Mass <sup>1)</sup><br>kg | Designation |
|---------|-------------------|----------------------|-------------|----------------|----------------------|-----------|------|----|-----|------|-----|------|-----|------|--------------------------|-------------|
|         |                   |                      |             |                | Outer diameter<br>OD | B<br>Min. | Max. |    |     |      |     |      |     |      |                          |             |
| Type 7  |                   |                      |             |                |                      |           |      |    |     |      |     |      |     |      |                          |             |
| Type 8  |                   |                      |             |                |                      |           |      |    |     |      |     |      |     |      |                          |             |
| -       |                   |                      |             |                |                      |           |      |    |     |      |     |      |     |      |                          |             |
| SPA     | 3                 | 170                  | 6           | 2517           | 175,5                | 16        | 60   | 50 | 138 | 5,0  | 45  | -    | -   | 5,0  | PHP 3SPA170TB            |             |
|         |                   | 180                  | 6           | 2517           | 185,5                | 16        | 60   | 50 | 146 | 5,0  | 45  | -    | -   | 6,2  | PHP 3SPA180TB            |             |
|         |                   | 190                  | 6           | 2517           | 195,5                | 16        | 60   | 50 | 158 | 5,0  | 45  | -    | -   | 7,0  | PHP 3SPA190TB            |             |
|         |                   | 200                  | 7           | 2517           | 205,5                | 16        | 60   | 50 | 165 | 2,5  | 45  | 2,5  | 120 | 5,6  | PHP 3SPA200TB            |             |
|         |                   | 212                  | 5           | 2517           | 217,5                | 16        | 60   | 50 | 177 | 2,5  | 45  | 2,5  | 120 | 6,6  | PHP 3SPA212TB            |             |
|         |                   | 224                  | 5           | 2517           | 229,5                | 16        | 60   | 50 | 189 | 2,5  | 45  | 2,5  | 120 | 7,5  | PHP 3SPA224TB            |             |
|         |                   | 250                  | 5           | 2517           | 255,5                | 16        | 60   | 50 | 215 | 2,5  | 45  | 2,5  | 120 | 8,6  | PHP 3SPA250TB            |             |
|         |                   | 280                  | 5           | 2517           | 285,5                | 16        | 60   | 50 | 245 | 2,5  | 45  | 2,5  | 120 | 10,0 | PHP 3SPA280TB            |             |
|         |                   | 315                  | 4           | 3020           | 320,5                | 25        | 75   | 50 | 280 | 0,5  | 51  | 0,5  | 160 | 12,8 | PHP 3SPA315TB            |             |
|         |                   | 355                  | 4           | 3020           | 360,5                | 25        | 75   | 50 | 320 | 0,5  | 51  | 0,5  | 150 | 13,4 | PHP 3SPA355TB            |             |
|         |                   | 400                  | 4           | 3020           | 405,5                | 25        | 75   | 50 | 365 | -    | 51  | 1,0  | 150 | 15,9 | PHP 3SPA400TB            |             |
|         |                   | 450                  | 4           | 3020           | 455,5                | 25        | 75   | 50 | 415 | -    | 51  | 1,0  | 150 | 19,3 | PHP 3SPA450TB            |             |
|         |                   | 500                  | 4           | 3020           | 505,5                | 25        | 75   | 50 | 465 | -    | 51  | 1,0  | 150 | 22,6 | PHP 3SPA500TB            |             |
|         |                   | 560                  | 4           | 3020           | 565,5                | 25        | 75   | 50 | 525 | -    | 51  | 1,0  | 150 | 23,5 | PHP 3SPA560TB            |             |
|         |                   | 630                  | 4           | 3020           | 635,5                | 25        | 75   | 50 | 595 | -    | 51  | 1,0  | 150 | 27,5 | PHP 3SPA630TB            |             |
|         |                   | 800                  | 4           | 3535           | 805,5                | 35        | 90   | 50 | 765 | 19,5 | 89  | 19,5 | 170 | 40,8 | PHP 3SPA800TB            |             |
|         |                   | 1 000                | 4           | 3535           | 1 005,5              | 35        | 90   | 50 | 965 | 19,5 | 89  | 19,5 | 178 | 50,0 | PHP 3SPA1000TB           |             |
| SPA     | 4                 | 90                   | 6           | 1615           | 95,5                 | 14        | 42   | 65 | 64  | 27,0 | 38  | -    | -   | 1,2  | PHP 4SPA90TB             |             |
|         |                   | 95                   | 6           | 1615           | 100,5                | 14        | 42   | 65 | 64  | 27,0 | 38  | -    | -   | 1,4  | PHP 4SPA95TB             |             |
|         |                   | 100                  | 2           | 1615           | 105,5                | 14        | 42   | 65 | 70  | -    | 38  | 27,0 | -   | 1,6  | PHP 4SPA100TB            |             |
|         |                   | 106                  | 6           | 2012           | 111,5                | 14        | 50   | 65 | 76  | 33,0 | 32  | -    | -   | 1,7  | PHP 4SPA106TB            |             |
|         |                   | 112                  | 6           | 2012           | 117,5                | 14        | 50   | 65 | 80  | 33,0 | 32  | -    | -   | 2,0  | PHP 4SPA112TB            |             |
|         |                   | 118                  | 2           | 2012           | 123,5                | 14        | 50   | 65 | 86  | -    | 32  | 33,0 | -   | 2,3  | PHP 4SPA118TB            |             |
|         |                   | 125                  | 2           | 2012           | 130,5                | 14        | 50   | 65 | 92  | -    | 32  | 33,0 | -   | 2,7  | PHP 4SPA125TB            |             |
|         |                   | 132                  | 2           | 2517           | 137,5                | 16        | 60   | 65 | 98  | -    | 45  | 20,0 | -   | 2,9  | PHP 4SPA132TB            |             |
|         |                   | 140                  | 2           | 2517           | 145,5                | 16        | 60   | 65 | 106 | -    | 45  | 20,0 | -   | 3,5  | PHP 4SPA140TB            |             |
|         |                   | 150                  | 2           | 2517           | 155,5                | 16        | 60   | 65 | 116 | -    | 45  | 20,0 | -   | 4,2  | PHP 4SPA150TB            |             |
|         |                   | 160                  | 2           | 2517           | 165,5                | 16        | 60   | 65 | 126 | -    | 45  | 20,0 | -   | 5,1  | PHP 4SPA160TB            |             |
|         |                   | 170                  | 2           | 2517           | 175,5                | 16        | 60   | 65 | 138 | -    | 45  | 20,0 | -   | 6,0  | PHP 4SPA170TB            |             |
|         |                   | 180                  | 2           | 2517           | 185,5                | 16        | 60   | 65 | 146 | -    | 45  | 20,0 | -   | 6,9  | PHP 4SPA180TB            |             |
|         |                   | 190                  | 2           | 2517           | 195,5                | 16        | 60   | 65 | 158 | -    | 45  | 20,0 | -   | 7,2  | PHP 4SPA190TB            |             |
|         |                   | 200                  | 2           | 3020           | 205,5                | 25        | 75   | 65 | 165 | -    | 51  | 14,0 | -   | 8,4  | PHP 4SPA200TB            |             |
|         |                   | 212                  | 2           | 3020           | 217,5                | 25        | 75   | 65 | 177 | -    | 51  | 14,0 | -   | 9,9  | PHP 4SPA212TB            |             |
|         |                   | 224                  | 2           | 3020           | 229,5                | 25        | 75   | 65 | 189 | -    | 51  | 14,0 | -   | 11,4 | PHP 4SPA224TB            |             |
|         |                   | 250                  | 5           | 3020           | 255,5                | 25        | 75   | 65 | 215 | 7,0  | 51  | 7,0  | 150 | 10,5 | PHP 4SPA250TB            |             |
|         |                   | 280                  | 5           | 3020           | 285,5                | 25        | 75   | 65 | 245 | 7,0  | 51  | 7,0  | 150 | 11,6 | PHP 4SPA280TB            |             |
|         |                   | 315                  | 5           | 3020           | 320,5                | 25        | 75   | 65 | 280 | 7,0  | 51  | 7,0  | 150 | 13,8 | PHP 4SPA315TB            |             |
|         |                   | 355                  | 5           | 3020           | 360,5                | 25        | 75   | 65 | 320 | 7,0  | 51  | 7,0  | 150 | 15,8 | PHP 4SPA355TB            |             |
|         |                   | 400                  | 5           | 3020           | 405,5                | 25        | 75   | 65 | 365 | 7,0  | 51  | 7,0  | 150 | 17,7 | PHP 4SPA400TB            |             |
|         |                   | 450                  | 5           | 3020           | 455,5                | 25        | 75   | 65 | 415 | 7,0  | 51  | 7,0  | 150 | 23,2 | PHP 4SPA450TB            |             |
|         |                   | 500                  | 5           | 3020           | 505,5                | 25        | 75   | 65 | 465 | 7,0  | 51  | 7,0  | 150 | 27,4 | PHP 4SPA500TB            |             |
|         |                   | 560                  | 4           | 3535           | 565,5                | 35        | 90   | 65 | 525 | 12,0 | 89  | 12,0 | 170 | 30,5 | PHP 4SPA560TB            |             |
|         |                   | 630                  | 4           | 4545           | 635,5                | 35        | 90   | 65 | 595 | 12,0 | 89  | 12,0 | 170 | 34,1 | PHP 4SPA630TB            |             |
|         |                   | 800                  | 4           | 3535           | 805,5                | 35        | 90   | 65 | 765 | 12,0 | 89  | 12,0 | 170 | 50,8 | PHP 4SPA800TB            |             |
|         |                   | 1 000                | 4           | 4040           | 1 005,5              | 40        | 100  | 65 | 965 | 18,5 | 102 | 18,5 | 216 | 62,0 | PHP 4SPA1000TB           |             |
| SPA     | 5                 | 100                  | 2           | 1615           | 105,5                | 14        | 42   | 80 | 70  | -    | 38  | 42,0 | -   | 1,9  | PHP 5SPA100TB            |             |
|         |                   | 106                  | 6           | 2012           | 111,5                | 14        | 50   | 80 | 76  | 48,0 | 32  | -    | -   | 2,1  | PHP 5SPA106TB            |             |
|         |                   | 112                  | 6           | 2012           | 117,5                | 14        | 50   | 80 | 80  | 48,0 | 32  | -    | -   | 2,4  | PHP 5SPA112TB            |             |
|         |                   | 118                  | 2           | 2012           | 123,5                | 14        | 50   | 80 | 86  | -    | 32  | 48,0 | -   | 2,7  | PHP 5SPA118TB            |             |
|         |                   | 125                  | 3           | 2012           | 130,5                | 14        | 50   | 80 | 92  | 24,0 | 32  | 24,0 | -   | 3,1  | PHP 5SPA125TB            |             |
|         |                   | 132                  | 3           | 2517           | 137,5                | 16        | 60   | 80 | 98  | 17,5 | 45  | 17,5 | -   | 3,2  | PHP 5SPA132TB            |             |
|         |                   | 140                  | 3           | 2517           | 145,5                | 16        | 60   | 80 | 106 | 17,5 | 45  | 17,5 | -   | 3,9  | PHP 5SPA140TB            |             |
|         |                   | 150                  | 3           | 2517           | 155,5                | 16        | 60   | 80 | 116 | 17,5 | 45  | 17,5 | -   | 4,7  | PHP 5SPA150TB            |             |

<sup>1)</sup> Mass does not include bushings.  
Non-functional dimensions may vary slightly.

# Wedge belt pulleys

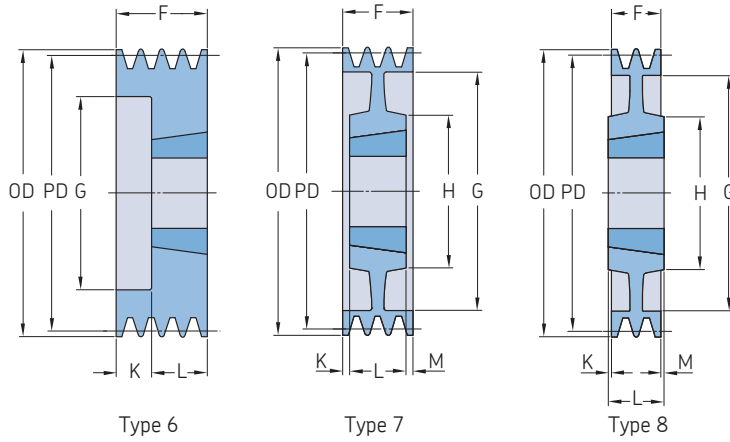
SPA taper bushed | SPB taper bushed



| Section | Number of grooves | Pitch diameter<br>PD | Pulley type | Bushing number | Dimensions           |         | B Min. | Max. | F   | G    | K    | L    | M    | H    | Mass <sup>1)</sup> | Designation    |   |
|---------|-------------------|----------------------|-------------|----------------|----------------------|---------|--------|------|-----|------|------|------|------|------|--------------------|----------------|---|
|         |                   |                      |             |                | Outer diameter<br>OD | B       |        |      |     |      |      |      |      |      |                    |                |   |
|         |                   |                      |             |                |                      |         |        |      |     |      |      |      |      |      |                    | kg             | - |
| SPA     | 5                 | 160                  | 3           | 2517           | 165,5                | 16      | 60     | 80   | 126 | 17,5 | 45   | 17,5 | -    | 5,6  | PHP 5SPA160TB      |                |   |
|         |                   | 170                  | 3           | 2517           | 175,5                | 16      | 60     | 80   | 146 | 17,5 | 45   | 17,5 | -    | 6,2  | PHP 5SPA170TB      |                |   |
|         |                   | 180                  | 3           | 3020           | 185,5                | 25      | 75     | 80   | 165 | 14,5 | 51   | 14,5 | -    | 6,8  | PHP 5SPA180TB      |                |   |
|         |                   | 190                  | 2           | 3020           | 195,5                | 25      | 75     | 80   | 189 | -    | 51   | 29,0 | -    | 7,4  | PHP 5SPA190TB      |                |   |
|         |                   | 200                  | 3           | 3020           | 205,5                | 25      | 75     | 80   | 215 | 14,5 | 51   | 14,5 | -    | 9,1  | PHP 5SPA200TB      |                |   |
|         |                   |                      | 212         | 2              | 3020                 | 217,5   | 25     | 75   | 80  | 245  | -    | 51   | 29,0 | -    | 10,7               | PHP 5SPA212TB  |   |
|         |                   |                      | 224         | 2              | 3020                 | 229,5   | 25     | 75   | 80  | 280  | -    | 51   | 29,0 | -    | 12,3               | PHP 5SPA224TB  |   |
|         |                   |                      | 250         | 7              | 3020                 | 255,5   | 25     | 75   | 80  | 215  | 14,5 | 51   | 14,5 | 150  | 11,7               | PHP 5SPA250TB  |   |
|         |                   |                      | 280         | 4              | 3535                 | 285,5   | 35     | 90   | 80  | 245  | 4,5  | 89   | 4,5  | 170  | 17,4               | PHP 5SPA280TB  |   |
|         |                   |                      | 315         | 4              | 3535                 | 320,5   | 35     | 90   | 80  | 280  | 4,5  | 89   | 4,5  | 170  | 20,0               | PHP 5SPA315TB  |   |
|         |                   |                      | 355         | 4              | 3535                 | 360,5   | 35     | 90   | 80  | 320  | 4,5  | 89   | 4,5  | 170  | 22,8               | PHP 5SPA355TB  |   |
|         |                   |                      | 400         | 4              | 3535                 | 405,5   | 35     | 90   | 80  | 365  | 4,5  | 89   | 4,5  | 170  | 24,8               | PHP 5SPA400TB  |   |
|         |                   |                      | 450         | 4              | 3535                 | 455,5   | 35     | 90   | 80  | 415  | 4,5  | 89   | 4,5  | 170  | 28,5               | PHP 5SPA450TB  |   |
|         |                   |                      | 500         | 4              | 3535                 | 505,5   | 35     | 90   | 80  | 465  | 4,5  | 89   | 4,5  | 170  | 31,7               | PHP 5SPA500TB  |   |
|         |                   |                      | 560         | 4              | 3535                 | 565,5   | 35     | 90   | 80  | 525  | 4,5  | 89   | 4,5  | 170  | 35,0               | PHP 5SPA560TB  |   |
|         |                   |                      | 630         | 4              | 3535                 | 635,5   | 35     | 90   | 80  | 595  | 4,5  | 89   | 4,5  | 170  | 42,0               | PHP 5SPA630TB  |   |
|         |                   |                      | 800         | 4              | 4040                 | 805,5   | 40     | 100  | 80  | 765  | 11,0 | 102  | 11,0 | 216  | 60,0               | PHP 5SPA800TB  |   |
|         |                   |                      | 1 000       | 4              | 4545                 | 1 005,5 | 55     | 120  | 80  | 965  | 17,0 | 114  | 17,0 | 225  | 70,0               | PHP 5SPA1000TB |   |
|         | SPA               | 6                    | 100         | 3              | 1610                 | 105,5   | 14     | 42   | 95  | 70   | 30,0 | 38   | 40,0 | -    | 2,2                | PHP 6SPA100TB  |   |
|         |                   |                      | 106         | 6              | 2012                 | 111,5   | 14     | 50   | 95  | 76   | 63,0 | 32   | -    | -    | 2,5                | PHP 6SPA106TB  |   |
| 112     |                   |                      | 6           | 2012           | 117,5                | 14      | 50     | 95   | 80  | 63,0 | 32   | -    | -    | 2,8  | PHP 6SPA112TB      |                |   |
| 118     |                   |                      | 6           | 2012           | 123,5                | 14      | 50     | 95   | 86  | 63,0 | 32   | -    | -    | 3,1  | PHP 6SPA118TB      |                |   |
| 125     |                   |                      | 3           | 2012           | 130,5                | 14      | 50     | 95   | 92  | 31,5 | 32   | 31,5 | -    | 3,7  | PHP 6SPA125TB      |                |   |
|         |                   |                      | 132         | 3              | 2517                 | 137,5   | 16     | 60   | 95  | 98   | 25,0 | 45   | 25,0 | -    | 3,6                | PHP 6SPA132TB  |   |
|         |                   |                      | 140         | 3              | 2517                 | 145,5   | 16     | 60   | 95  | 106  | 25,0 | 45   | 25,0 | -    | 4,5                | PHP 6SPA140TB  |   |
|         |                   |                      | 150         | 3              | 2517                 | 155,5   | 16     | 60   | 95  | 116  | 25,0 | 45   | 25,0 | -    | 5,3                | PHP 6SPA150TB  |   |
|         |                   |                      | 160         | 3              | 2517                 | 165,5   | 16     | 60   | 95  | 126  | 25,0 | 45   | 25,0 | -    | 6,3                | PHP 6SPA160TB  |   |
|         |                   |                      | 170         | 3              | 3020                 | 175,5   | 25     | 75   | 95  | 135  | 22,0 | 51   | 22,0 | -    | 6,3                | PHP 6SPA170TB  |   |
|         |                   |                      | 180         | 3              | 3020                 | 185,5   | 25     | 75   | 95  | 146  | 22,0 | 51   | 22,0 | -    | 7,5                | PHP 6SPA180TB  |   |
|         |                   |                      | 190         | 3              | 3020                 | 195,5   | 25     | 75   | 95  | 155  | 22,0 | 51   | 22,0 | -    | 8,6                | PHP 6SPA190TB  |   |
|         |                   |                      | 200         | 3              | 3020                 | 205,5   | 25     | 75   | 95  | 165  | 22,0 | 51   | 22,0 | -    | 9,9                | PHP 6SPA200TB  |   |
|         |                   |                      | 212         | 3              | 3020                 | 217,5   | 25     | 75   | 95  | 177  | 22,0 | 51   | 22,0 | -    | 11,6               | PHP 6SPA212TB  |   |
|         |                   |                      | 224         | 3              | 3020                 | 229,5   | 25     | 75   | 95  | 189  | 22,0 | 51   | 22,0 | -    | 13,2               | PHP 6SPA224TB  |   |
|         |                   |                      | 250         | 7              | 3020                 | 255,5   | 25     | 75   | 95  | 215  | 22,0 | 51   | 22,0 | 150  | 12,5               | PHP 6SPA250TB  |   |
|         |                   |                      | 280         | 5              | 3535                 | 285,5   | 35     | 90   | 95  | 245  | 3,0  | 89   | 3,0  | 170  | 19,0               | PHP 6SPA280TB  |   |
|         |                   |                      | 315         | 5              | 3535                 | 320,5   | 35     | 90   | 95  | 280  | 3,0  | 89   | 3,0  | 170  | 21,1               | PHP 6SPA315TB  |   |
|         |                   |                      | 355         | 5              | 3535                 | 360,5   | 35     | 90   | 95  | 320  | 3,0  | 89   | 3,0  | 170  | 23,5               | PHP 6SPA355TB  |   |
|         |                   |                      | 400         | 5              | 3535                 | 405,5   | 35     | 90   | 95  | 365  | 3,0  | 89   | 3,0  | 170  | 26,0               | PHP 6SPA400TB  |   |
|         |                   | 450                  | 5           | 3535           | 455,5                | 35      | 90     | 95   | 415 | 3,0  | 89   | 3,0  | 170  | 30,0 | PHP 6SPA450TB      |                |   |
|         |                   | 500                  | 5           | 3535           | 505,5                | 35      | 90     | 95   | 465 | 3,0  | 89   | 3,0  | 170  | 34,0 | PHP 6SPA500TB      |                |   |
|         |                   | 560                  | 5           | 3535           | 565,5                | 35      | 90     | 95   | 525 | 3,0  | 89   | 3,0  | 170  | 39,0 | PHP 6SPA560TB      |                |   |
|         |                   | 630                  | 4           | 4040           | 635,5                | 40      | 100    | 95   | 595 | 3,5  | 102  | 3,5  | 216  | 53,5 | PHP 6SPA630TB      |                |   |
|         |                   | 800                  | 4           | 4040           | 805,5                | 40      | 100    | 95   | 765 | 3,5  | 102  | 3,5  | 216  | 70,0 | PHP 6SPA800TB      |                |   |
|         |                   | 1 000                | 4           | 4545           | 1 005,5              | 55      | 120    | 95   | 965 | 9,5  | 114  | 9,5  | 225  | 85,5 | PHP 6SPA1000TB     |                |   |
| SPB     | 1                 | 100                  | 1           | 1610           | 107,0                | 14      | 42     | 25   | -   | -    | 25   | -    | -    | 0,8  | PHP 1SPB100TB      |                |   |
|         |                   | 106                  | 1           | 1610           | 113,0                | 14      | 42     | 25   | -   | -    | 25   | -    | -    | 1,0  | PHP 1SPB106TB      |                |   |
|         |                   | 112                  | 1           | 1610           | 119,0                | 14      | 42     | 25   | -   | -    | 25   | -    | -    | 1,2  | PHP 1SPB112TB      |                |   |
|         |                   | 118                  | 1           | 1610           | 125,0                | 14      | 42     | 25   | -   | -    | 25   | -    | -    | 1,5  | PHP 1SPB118TB      |                |   |
|         |                   | 125                  | 1           | 1610           | 132,0                | 14      | 42     | 25   | -   | -    | 25   | -    | -    | 1,5  | PHP 1SPB125TB      |                |   |
|         |                   |                      | 132         | 1              | 1610                 | 139,0   | 14     | 42   | 25  | -    | -    | 25   | -    | -    | 1,8                | PHP 1SPB132TB  |   |
|         |                   |                      | 140         | 1              | 1610                 | 147,0   | 14     | 42   | 25  | -    | -    | 25   | -    | -    | 2,1                | PHP 1SPB140TB  |   |
|         |                   |                      | 150         | 1              | 1610                 | 157,0   | 14     | 42   | 25  | -    | -    | 25   | -    | -    | 2,5                | PHP 1SPB150TB  |   |
|         |                   |                      | 160         | 1              | 1610                 | 167,0   | 14     | 42   | 25  | -    | -    | 25   | -    | -    | 2,9                | PHP 1SPB160TB  |   |

<sup>1)</sup> Mass does not include bushings.  
Non-functional dimensions may vary slightly.

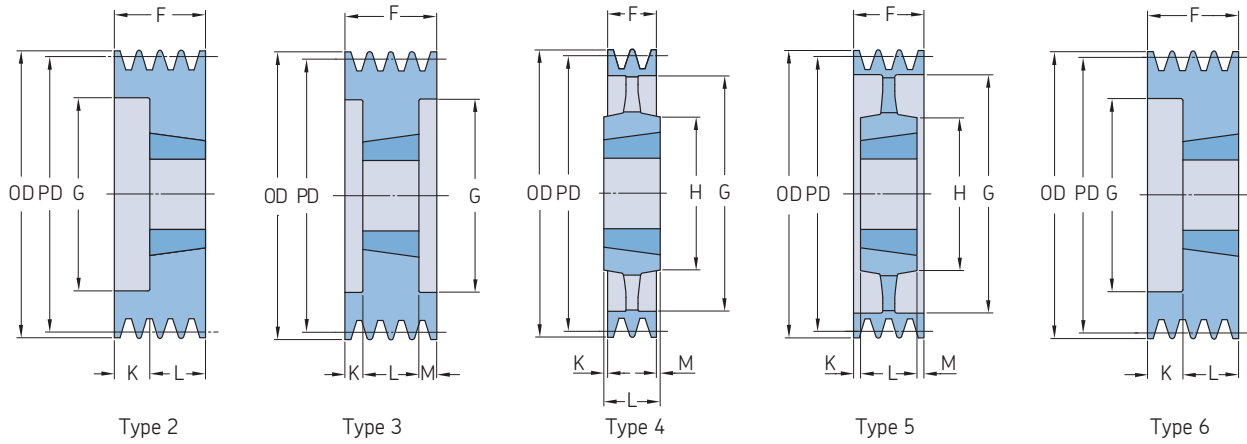
**Wedge belt pulleys**  
SPB taper bushed



| Section | Number of grooves | Pitch diameter<br>PD | Pulley type | Bushing number | Dimensions           |           |      | F  | G   | K    | L  | M    | H   | Mass <sup>1)</sup><br>kg | Designation   |
|---------|-------------------|----------------------|-------------|----------------|----------------------|-----------|------|----|-----|------|----|------|-----|--------------------------|---------------|
|         |                   |                      |             |                | Outer diameter<br>OD | B<br>Min. | Max. |    |     |      |    |      |     |                          |               |
| SPB     | 1                 | 170                  | 1           | 1610           | 177,0                | 14        | 42   | 25 | —   | —    | 25 | —    | —   | 3,0                      | PHP 1SPB170TB |
|         |                   | 180                  | 7           | 1610           | 187,0                | 14        | 42   | 25 | 137 | —    | 25 | —    | 80  | 3,8                      | PHP 1SPB180TB |
|         |                   | 190                  | 8           | 2012           | 197,0                | 14        | 50   | 25 | 147 | 3,5  | 32 | 3,5  | 100 | 4,4                      | PHP 1SPB190TB |
|         |                   | 200                  | 4           | 2012           | 207,0                | 14        | 50   | 25 | 157 | 3,5  | 32 | 3,5  | 104 | 4,0                      | PHP 1SPB200TB |
|         |                   | 212                  | 4           | 2012           | 219,0                | 14        | 50   | 25 | 169 | 3,5  | 32 | 3,5  | 104 | 5,2                      | PHP 1SPB212TB |
|         |                   | 224                  | 4           | 2012           | 231,0                | 14        | 50   | 25 | 181 | 3,5  | 32 | 3,5  | 104 | 5,2                      | PHP 1SPB224TB |
|         |                   | 236                  | 4           | 2012           | 243,0                | 14        | 50   | 25 | 193 | 3,5  | 32 | 3,5  | 104 | 5,4                      | PHP 1SPB236TB |
|         |                   | 250                  | 4           | 2012           | 257,0                | 14        | 50   | 25 | 207 | 3,5  | 32 | 3,5  | 104 | 6,2                      | PHP 1SPB250TB |
|         |                   | 280                  | 4           | 2012           | 287,0                | 14        | 50   | 25 | 237 | 3,5  | 32 | 3,5  | 104 | 6,5                      | PHP 1SPB280TB |
|         |                   | 300                  | 4           | 2012           | 307,0                | 14        | 50   | 25 | 258 | 3,5  | 32 | 3,5  | 104 | 7,0                      | PHP 1SPB300TB |
|         |                   | 315                  | 4           | 2012           | 322,0                | 14        | 50   | 25 | 272 | 3,5  | 32 | 3,5  | 100 | 7,5                      | PHP 1SPB315TB |
|         |                   | 335                  | 4           | 2517           | 342,0                | 16        | 60   | 25 | 288 | 10,0 | 45 | 10,0 | 125 | 8,5                      | PHP 1SPB335TB |
|         |                   | 355                  | 4           | 3020           | 362,0                | 25        | 75   | 25 | 312 | 13,0 | 51 | 13,0 | 146 | 9,5                      | PHP 1SPB355TB |
|         |                   | 400                  | 4           | 3020           | 407,0                | 25        | 75   | 25 | 357 | 13,0 | 51 | 13,0 | 146 | 11,0                     | PHP 1SPB400TB |
|         |                   | 450                  | 4           | 3020           | 457,0                | 25        | 75   | 25 | 407 | 13,0 | 51 | 13,0 | 150 | 12,3                     | PHP 1SPB450TB |
|         |                   | 500                  | 4           | 3020           | 507,0                | 25        | 75   | 25 | 457 | 13,0 | 51 | 13,0 | 150 | 14,6                     | PHP 1SPB500TB |
|         |                   | 560                  | 4           | 3020           | 567,0                | 25        | 75   | 25 | 517 | 13,0 | 51 | 13,0 | 150 | 18,5                     | PHP 1SPB560TB |
|         |                   | 630                  | 4           | 3020           | 637,0                | 25        | 75   | 25 | 587 | 13,0 | 51 | 13,0 | 150 | 20,5                     | PHP 1SPB630TB |
| SPB     | 2                 | 100                  | 6           | 1610           | 107,0                | 14        | 42   | 44 | 62  | 19,0 | 25 | —    | —   | 1,3                      | PHP 2SPB100TB |
|         |                   | 106                  | 6           | 1610           | 113,0                | 14        | 42   | 44 | 67  | 19,0 | 25 | —    | —   | 1,5                      | PHP 2SPB106TB |
|         |                   | 112                  | 6           | 1610           | 119,0                | 14        | 42   | 44 | 72  | 19,0 | 25 | —    | —   | 1,5                      | PHP 2SPB112TB |
|         |                   | 118                  | 2           | 1610           | 125,0                | 14        | 42   | 44 | 78  | —    | 25 | 19,0 | —   | 1,7                      | PHP 2SPB118TB |
|         |                   | 125                  | 2           | 2012           | 132,0                | 14        | 50   | 44 | 82  | —    | 32 | 12,0 | —   | 2,0                      | PHP 2SPB125TB |
|         |                   | 132                  | 2           | 2012           | 139,0                | 14        | 50   | 44 | 89  | —    | 32 | 12,0 | —   | 2,4                      | PHP 2SPB132TB |
|         |                   | 140                  | 2           | 2012           | 147,0                | 14        | 50   | 44 | 97  | —    | 32 | 12,0 | —   | 2,8                      | PHP 2SPB140TB |
|         |                   | 150                  | 2           | 2012           | 157,0                | 14        | 50   | 44 | 107 | —    | 32 | 12,0 | —   | 3,3                      | PHP 2SPB150TB |
|         |                   | 160                  | 2           | 2012           | 167,0                | 14        | 50   | 44 | 117 | —    | 32 | 12,0 | —   | 4,0                      | PHP 2SPB160TB |
|         |                   | 170                  | 2           | 2012           | 177,0                | 14        | 50   | 44 | 127 | —    | 32 | 12,0 | —   | 4,4                      | PHP 2SPB170TB |
|         |                   | 180                  | 1           | 2517           | 187,0                | 16        | 60   | 44 | —   | —    | 45 | 1,0  | 120 | 5,5                      | PHP 2SPB180TB |
|         |                   | 190                  | 1           | 2517           | 197,0                | 16        | 60   | 44 | —   | —    | 45 | 1,0  | 120 | 6,5                      | PHP 2SPB190TB |
|         |                   | 200                  | 1           | 2517           | 207,0                | 16        | 60   | 44 | —   | —    | 45 | 1,0  | 120 | 7,5                      | PHP 2SPB200TB |
|         |                   | 212                  | 8           | 2517           | 219,0                | 16        | 60   | 44 | 169 | —    | 45 | 1,0  | 120 | 7,0                      | PHP 2SPB212TB |
|         |                   | 224                  | 4           | 2517           | 231,0                | 16        | 60   | 44 | 181 | —    | 45 | 1,0  | 120 | 7,7                      | PHP 2SPB224TB |
|         |                   | 236                  | 4           | 2517           | 243,0                | 16        | 60   | 44 | 193 | —    | 45 | 1,0  | 120 | 8,3                      | PHP 2SPB236TB |
|         |                   | 250                  | 4           | 2517           | 257,0                | 16        | 60   | 44 | 207 | —    | 45 | 1,0  | 120 | 8,6                      | PHP 2SPB250TB |
|         |                   | 280                  | 4           | 2517           | 287,0                | 16        | 60   | 44 | 237 | —    | 45 | 1,0  | 120 | 10,1                     | PHP 2SPB280TB |
|         |                   | 300                  | 4           | 2517           | 307,0                | 16        | 60   | 44 | 257 | —    | 45 | 1,0  | 120 | 11,0                     | PHP 2SPB300TB |
|         |                   | 315                  | 4           | 2517           | 322,0                | 16        | 60   | 44 | 272 | —    | 45 | 1,0  | 120 | 12,2                     | PHP 2SPB315TB |
|         |                   | 335                  | 4           | 2517           | 342,0                | 16        | 60   | 44 | 292 | —    | 45 | 1,0  | 120 | 14,0                     | PHP 2SPB335TB |
|         |                   | 355                  | 4           | 3020           | 362,0                | 25        | 75   | 44 | 312 | 3,5  | 51 | 3,5  | 120 | 15,9                     | PHP 2SPB355TB |
|         |                   | 400                  | 4           | 3020           | 407,0                | 25        | 75   | 44 | 357 | 3,5  | 51 | 3,5  | 150 | 18,3                     | PHP 2SPB400TB |
|         |                   | 450                  | 4           | 3020           | 457,0                | 25        | 75   | 44 | 407 | 3,5  | 51 | 3,5  | 150 | 16,3                     | PHP 2SPB450TB |
|         |                   | 500                  | 4           | 3020           | 507,0                | 25        | 75   | 44 | 457 | 3,5  | 51 | 3,5  | 150 | 18,6                     | PHP 2SPB500TB |
|         |                   | 560                  | 4           | 3030           | 567,0                | 35        | 75   | 44 | 517 | 4,0  | 76 | 28,0 | 150 | 22,5                     | PHP 2SPB560TB |
|         |                   | 630                  | 4           | 3030           | 637,0                | 35        | 75   | 44 | 587 | 16,0 | 76 | —    | 150 | 25,5                     | PHP 2SPB630TB |
| SPB     | 3                 | 100                  | 6           | 1610           | 107,0                | 14        | 42   | 63 | 62  | 38,0 | 25 | —    | —   | 0,9                      | PHP 3SPB100TB |
|         |                   | 106                  | 6           | 1610           | 113,0                | 14        | 42   | 63 | 67  | 38,0 | 25 | —    | —   | 2,0                      | PHP 3SPB106TB |
|         |                   | 112                  | 6           | 1610           | 119,0                | 14        | 42   | 63 | 72  | 38,0 | 25 | —    | —   | 2,0                      | PHP 3SPB112TB |
|         |                   | 118                  | 2           | 1610           | 125,0                | 14        | 42   | 63 | 78  | —    | 25 | 38,0 | —   | 2,3                      | PHP 3SPB118TB |
|         |                   | 125                  | 2           | 2012           | 132,0                | 14        | 50   | 63 | 82  | —    | 32 | 31,0 | —   | 2,5                      | PHP 3SPB125TB |
|         |                   | 132                  | 2           | 2012           | 139,0                | 14        | 50   | 63 | 89  | —    | 32 | 31,0 | —   | 3,1                      | PHP 3SPB132TB |
|         |                   | 140                  | 2           | 2012           | 147,0                | 14        | 50   | 63 | 97  | —    | 32 | 31,0 | —   | 3,5                      | PHP 3SPB140TB |
|         |                   | 150                  | 2           | 2517           | 157,0                | 16        | 60   | 63 | 107 | —    | 45 | 18,0 | —   | 4,0                      | PHP 3SPB150TB |

<sup>1)</sup> Mass does not include bushings.  
Non-functional dimensions may vary slightly.

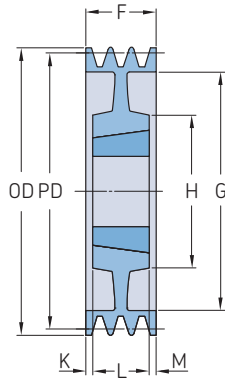
**Wedge belt pulleys**  
SPB taper bushed



| Section | Number of grooves | Pitch diameter<br>PD | Pulley type | Bushing number | Dimensions           |    | B Min. | Max. | F     | G    | K   | L    | M   | H     | Mass <sup>1)</sup><br>kg | Designation |
|---------|-------------------|----------------------|-------------|----------------|----------------------|----|--------|------|-------|------|-----|------|-----|-------|--------------------------|-------------|
|         |                   |                      |             |                | Outer diameter<br>OD | mm |        |      |       |      |     |      |     |       |                          |             |
| SPB     | 3                 | 160                  | 2           | 2517           | 167,0                | 16 | 60     | 63   | 117   | -    | 45  | 18,0 | -   | 4,9   | PHP 3SPB160TB            |             |
|         |                   | 170                  | 2           | 2517           | 177,0                | 16 | 60     | 63   | 127   | -    | 45  | 18,0 | -   | 5,7   | PHP 3SPB170TB            |             |
|         |                   | 180                  | 2           | 2517           | 187,0                | 16 | 60     | 63   | 137   | -    | 45  | 18,0 | -   | 6,7   | PHP 3SPB180TB            |             |
|         |                   | 190                  | 2           | 2517           | 197,0                | 16 | 60     | 63   | 147   | -    | 45  | 18,0 | -   | 7,6   | PHP 3SPB190TB            |             |
|         |                   | 200                  | 2           | 2517           | 207,0                | 16 | 60     | 63   | 157   | -    | 45  | 18,0 | -   | 8,9   | PHP 3SPB200TB            |             |
|         |                   | 212                  | 7           | 2517           | 219,0                | 16 | 60     | 63   | 169   | -    | 45  | 18,0 | 120 | 8,2   | PHP 3SPB212TB            |             |
|         |                   | 224                  | 4           | 2517           | 231,0                | 16 | 60     | 63   | 181   | -    | 45  | 18,0 | 120 | 9,1   | PHP 3SPB224TB            |             |
|         |                   | 236                  | 4           | 2517           | 243,0                | 16 | 60     | 63   | 193   | -    | 45  | 18,0 | 120 | 9,8   | PHP 3SPB236TB            |             |
|         |                   | 250                  | 4           | 3020           | 257,0                | 25 | 75     | 63   | 207   | -    | 51  | 12,0 | 150 | 11,2  | PHP 3SPB250TB            |             |
|         |                   | 280                  | 4           | 3020           | 287,0                | 25 | 75     | 63   | 237   | 6,0  | 51  | 6,0  | 150 | 12,0  | PHP 3SPB280TB            |             |
|         |                   | 300                  | 4           | 3020           | 307,0                | 25 | 75     | 63   | 257   | 6,0  | 51  | 6,0  | 150 | 13,5  | PHP 3SPB300TB            |             |
|         |                   | 315                  | 4           | 3020           | 322,0                | 25 | 75     | 63   | 272   | 6,0  | 51  | 6,0  | 150 | 14,2  | PHP 3SPB315TB            |             |
|         |                   | 335                  | 4           | 3020           | 342,0                | 25 | 75     | 63   | 292   | 6,0  | 51  | 6,0  | 150 | 16,0  | PHP 3SPB335TB            |             |
|         |                   | 355                  | 4           | 3020           | 362,0                | 25 | 75     | 63   | 312   | 6,0  | 51  | 6,0  | 150 | 17,7  | PHP 3SPB355TB            |             |
|         |                   | 400                  | 4           | 3535           | 407,0                | 35 | 90     | 63   | 357   | 13,0 | 89  | 13,0 | 170 | 25,0  | PHP 3SPB400TB            |             |
|         |                   | 450                  | 4           | 3535           | 457,0                | 35 | 90     | 63   | 407   | -    | 89  | 26,0 | 170 | 26,3  | PHP 3SPB450TB            |             |
|         |                   | 500                  | 4           | 3535           | 507,0                | 35 | 90     | 63   | 457   | -    | 89  | 26,0 | 170 | 29,9  | PHP 3SPB500TB            |             |
|         |                   | 560                  | 4           | 3535           | 567,0                | 35 | 90     | 63   | 517   | -    | 89  | 26,0 | 170 | 37,2  | PHP 3SPB560TB            |             |
|         |                   | 630                  | 4           | 3535           | 637,0                | 35 | 90     | 63   | 587   | -    | 89  | 26,0 | 170 | 41,0  | PHP 3SPB630TB            |             |
|         |                   | 710                  | 4           | 3535           | 717,0                | 35 | 90     | 63   | 664   | 13,0 | 89  | 13,0 | 170 | 48,0  | PHP 3SPB710TB            |             |
|         |                   | 800                  | 4           | 3535           | 807,0                | 35 | 90     | 63   | 754   | 13,0 | 89  | 13,0 | 170 | 55,0  | PHP 3SPB800TB            |             |
|         |                   | 900                  | 4           | 3535           | 907,0                | 35 | 90     | 63   | 854   | 13,0 | 89  | 13,0 | 170 | 64,1  | PHP 3SPB900TB            |             |
|         |                   | 1 000                | 4           | 4040           | 1 007,0              | 40 | 100    | 63   | 954   | 20,0 | 102 | 20,0 | 210 | 72,0  | PHP 3SPB1000TB           |             |
|         |                   | 1 250                | 4           | 4040           | 1 257,0              | 40 | 100    | 63   | 1 204 | 20,0 | 102 | 20,0 | 210 | 140,0 | PHP 3SPB1250TB           |             |
| SPB     | 4                 | 100                  | 3           | 1210           | 107,0                | 11 | 32     | 82   | 58    | 29,0 | 25  | 29,0 | -   | 2,4   | PHP 4SPB100TB            |             |
|         |                   | 106                  | 3           | 1610           | 113,0                | 14 | 42     | 82   | 65    | 29,0 | 25  | 29,0 | -   | 2,3   | PHP 4SPB106TB            |             |
|         |                   | 112                  | 3           | 1610           | 119,0                | 14 | 42     | 82   | 65    | 29,0 | 25  | 29,0 | -   | 2,8   | PHP 4SPB112TB            |             |
|         |                   | 118                  | 3           | 1610           | 125,0                | 14 | 42     | 82   | 71    | 29,0 | 25  | 29,0 | -   | 3,3   | PHP 4SPB118TB            |             |
|         |                   | 125                  | 3           | 2012           | 132,0                | 14 | 50     | 82   | 82    | 25,0 | 32  | 25,0 | -   | 3,0   | PHP 4SPB125TB            |             |
|         |                   | 132                  | 3           | 2012           | 139,0                | 14 | 50     | 82   | 89    | 25,0 | 32  | 25,0 | -   | 3,8   | PHP 4SPB132TB            |             |
|         |                   | 140                  | 3           | 2517           | 147,0                | 16 | 60     | 82   | 97    | 18,5 | 45  | 18,5 | -   | 4,0   | PHP 4SPB140TB            |             |
|         |                   | 150                  | 3           | 2517           | 157,0                | 16 | 60     | 82   | 107   | 18,5 | 45  | 18,5 | -   | 4,9   | PHP 4SPB150TB            |             |
|         |                   | 160                  | 3           | 2517           | 167,0                | 16 | 60     | 82   | 117   | 18,5 | 45  | 18,5 | -   | 5,8   | PHP 4SPB160TB            |             |
|         |                   | 170                  | 3           | 2517           | 177,0                | 16 | 60     | 82   | 127   | 18,5 | 45  | 18,5 | -   | 6,6   | PHP 4SPB170TB            |             |
|         |                   | 180                  | 3           | 2517           | 187,0                | 16 | 60     | 82   | 137   | 18,5 | 45  | 18,5 | -   | 7,7   | PHP 4SPB180TB            |             |
|         |                   | 190                  | 3           | 2517           | 197,0                | 16 | 60     | 82   | 147   | 18,5 | 45  | 18,5 | -   | 8,6   | PHP 4SPB190TB            |             |
|         |                   | 200                  | 3           | 3020           | 207,0                | 25 | 75     | 82   | 157   | 15,5 | 51  | 15,5 | -   | 9,3   | PHP 4SPB200TB            |             |
|         |                   | 212                  | 3           | 3020           | 219,0                | 25 | 75     | 82   | 169   | 15,5 | 51  | 15,5 | -   | 10,9  | PHP 4SPB212TB            |             |
|         |                   | 224                  | 3           | 3020           | 231,0                | 25 | 75     | 82   | 181   | 15,5 | 51  | 15,5 | -   | 12,4  | PHP 4SPB224TB            |             |
|         |                   | 236                  | 3           | 3020           | 243,0                | 25 | 75     | 82   | 193   | 15,5 | 51  | 15,5 | -   | 14,1  | PHP 4SPB236TB            |             |
|         |                   | 250                  | 5           | 3020           | 257,0                | 25 | 75     | 82   | 207   | 15,5 | 51  | 15,5 | 150 | 12,7  | PHP 4SPB250TB            |             |
|         |                   | 280                  | 5           | 3020           | 287,0                | 25 | 75     | 82   | 237   | 15,5 | 51  | 15,5 | 150 | 13,8  | PHP 4SPB280TB            |             |
|         |                   | 300                  | 4           | 3535           | 307,0                | 35 | 90     | 82   | 257   | -    | 89  | 7,0  | 150 | 20,5  | PHP 4SPB300TB            |             |
|         |                   | 315                  | 4           | 3535           | 322,0                | 35 | 90     | 82   | 272   | 3,5  | 89  | 3,5  | 170 | 20,6  | PHP 4SPB315TB            |             |
|         |                   | 335                  | 4           | 3535           | 342,0                | 35 | 90     | 82   | 292   | 3,5  | 89  | 3,5  | 170 | 22,0  | PHP 4SPB335TB            |             |
|         |                   | 355                  | 4           | 3535           | 362,0                | 35 | 90     | 82   | 312   | 3,5  | 89  | 3,5  | 170 | 23,2  | PHP 4SPB355TB            |             |
|         |                   | 400                  | 4           | 3535           | 407,0                | 35 | 90     | 82   | 357   | 3,5  | 89  | 3,5  | 170 | 26,5  | PHP 4SPB400TB            |             |
|         |                   | 450                  | 4           | 3535           | 457,0                | 35 | 90     | 82   | 407   | -    | 89  | 7,0  | 170 | 29,7  | PHP 4SPB450TB            |             |
|         |                   | 500                  | 4           | 3535           | 507,0                | 35 | 90     | 82   | 457   | -    | 89  | 7,0  | 170 | 34,7  | PHP 4SPB500TB            |             |
|         |                   | 560                  | 4           | 3535           | 567,0                | 35 | 90     | 82   | 517   | -    | 89  | 7,0  | 170 | 39,0  | PHP 4SPB560TB            |             |
|         |                   | 630                  | 4           | 3535           | 637,0                | 35 | 90     | 82   | 587   | -    | 89  | 7,0  | 170 | 44,5  | PHP 4SPB630TB            |             |
|         |                   | 710                  | 4           | 3535           | 717,0                | 35 | 90     | 82   | 664   | 3,5  | 89  | 3,5  | 187 | 50,5  | PHP 4SPB710TB            |             |
|         |                   | 800                  | 4           | 4040           | 807,0                | 40 | 100    | 82   | 754   | 10,0 | 102 | 10,0 | 200 | 60,5  | PHP 4SPB800TB            |             |
|         |                   | 900                  | 4           | 4040           | 907,0                | 40 | 100    | 82   | 854   | 10,0 | 102 | 10,0 | 216 | 70,0  | PHP 4SPB900TB            |             |

<sup>1)</sup> Mass does not include bushings.  
Non-functional dimensions may vary slightly.

**Wedge belt pulleys**  
SPB taper bushed



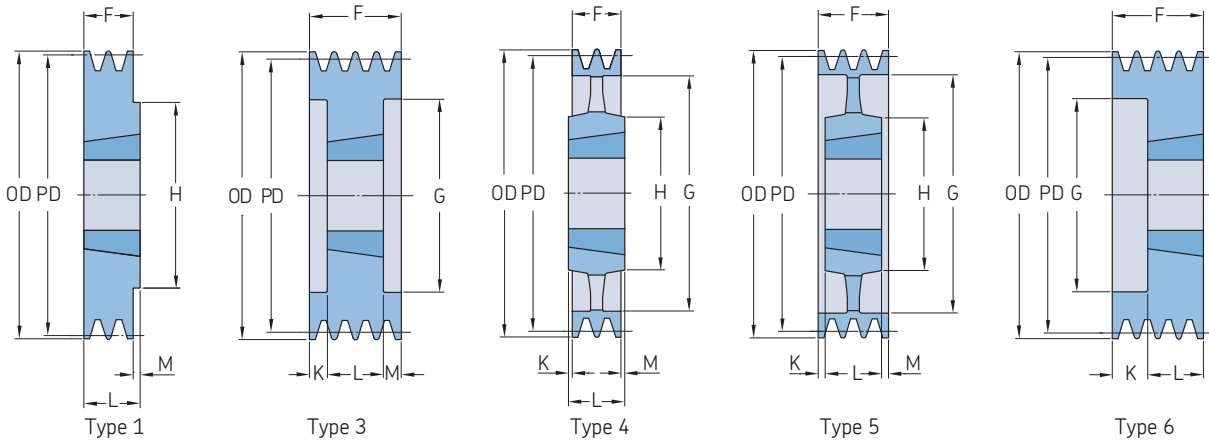
Type 7

| Section | Number of grooves | Pitch diameter<br>PD | Pulley type | Bushing number | Dimensions           |           |       | F   | G     | K    | L   | M     | H              | Mass <sup>1)</sup><br>kg | Designation    |
|---------|-------------------|----------------------|-------------|----------------|----------------------|-----------|-------|-----|-------|------|-----|-------|----------------|--------------------------|----------------|
|         |                   |                      |             |                | Outer diameter<br>OD | B<br>Min. | Max.  |     |       |      |     |       |                |                          |                |
|         |                   | mm                   |             |                | mm                   |           |       |     |       |      |     |       |                |                          |                |
| SPB     | 4                 | 1 000                | 4           | 4040           | 1 007,0              | 40        | 100   | 82  | 954   | 10,0 | 102 | 10,0  | 216            | 76,5                     | PHP 4SPB1000TB |
|         |                   | 1 250                | 4           | 4545           | 1 257,0              | 55        | 110   | 82  | 1 204 | 16,0 | 114 | 16,0  | 225            | 162,0                    | PHP 4SPB1250TB |
| SPB     | 5                 | 125                  | 6           | 2012           | 132,0                | 14        | 50    | 101 | 87    | 69,0 | 32  | –     | –              | 3,6                      | PHP 5SPB125TB  |
|         |                   | 132                  | 6           | 2517           | 139,0                | 16        | 60    | 101 | 94    | 56,0 | 45  | –     | –              | 3,8                      | PHP 5SPB132TB  |
|         |                   | 140                  | 3           | 2517           | 147,0                | 16        | 60    | 101 | 97    | 28,0 | 45  | 28,0  | –              | 4,2                      | PHP 5SPB140TB  |
|         |                   | 150                  | 3           | 2517           | 157,0                | 16        | 60    | 101 | 107   | 28,0 | 45  | 28,0  | –              | 5,7                      | PHP 5SPB150TB  |
|         |                   | 160                  | 3           | 2517           | 167,0                | 16        | 60    | 101 | 117   | 28,0 | 45  | 28,0  | –              | 6,7                      | PHP 5SPB160TB  |
|         |                   | 170                  | 3           | 3020           | 177,0                | 25        | 75    | 101 | 127   | 25,0 | 51  | 25,0  | –              | 6,7                      | PHP 5SPB170TB  |
|         |                   | 180                  | 3           | 3020           | 187,0                | 25        | 75    | 101 | 137   | 25,0 | 51  | 25,0  | –              | 7,8                      | PHP 5SPB180TB  |
|         |                   | 190                  | 3           | 3020           | 197,0                | 25        | 75    | 101 | 147   | 25,0 | 51  | 25,0  | –              | 9,1                      | PHP 5SPB190TB  |
|         |                   | 200                  | 3           | 3020           | 207,0                | 25        | 75    | 101 | 157   | 25,0 | 51  | 25,0  | –              | 10,3                     | PHP 5SPB200TB  |
|         |                   | 212                  | 3           | 3020           | 219,0                | 25        | 75    | 101 | 169   | 25,0 | 51  | 25,0  | –              | 12,2                     | PHP 5SPB212TB  |
|         |                   | 224                  | 3           | 3020           | 231,0                | 25        | 75    | 101 | 181   | 25,0 | 51  | 25,0  | –              | 13,7                     | PHP 5SPB224TB  |
|         |                   | 236                  | 3           | 3535           | 243,0                | 35        | 90    | 101 | 193   | 6,0  | 89  | 6,0   | –              | 15,9                     | PHP 5SPB236TB  |
|         |                   | 250                  | 3           | 3535           | 257,0                | 35        | 90    | 101 | 207   | 6,0  | 89  | 6,0   | –              | 18,6                     | PHP 5SPB250TB  |
|         |                   | 280                  | 7           | 3535           | 287,0                | 35        | 90    | 101 | 237   | 6,0  | 89  | 6,0   | 170            | 21,4                     | PHP 5SPB280TB  |
|         |                   | 300                  | 5           | 3535           | 307,0                | 35        | 90    | 101 | 257   | 6,0  | 89  | 6,0   | 170            | 22,5                     | PHP 5SPB300TB  |
|         |                   | 315                  | 5           | 3535           | 322,0                | 35        | 90    | 101 | 272   | 6,0  | 89  | 6,0   | 170            | 22,3                     | PHP 5SPB315TB  |
|         |                   | 335                  | 5           | 3535           | 342,0                | 35        | 90    | 101 | 292   | 6,0  | 89  | 6,0   | 170            | 24,0                     | PHP 5SPB335TB  |
|         |                   | 355                  | 4           | 3535           | 362,0                | 35        | 90    | 101 | 312   | 6,0  | 89  | 6,0   | 170            | 25,5                     | PHP 5SPB355TB  |
|         |                   | 400                  | 5           | 3535           | 407,0                | 35        | 90    | 101 | 357   | 6,0  | 89  | 6,0   | 170            | 30,2                     | PHP 5SPB400TB  |
|         |                   | 450                  | 5           | 3535           | 457,0                | 35        | 90    | 101 | 407   | –    | 89  | 12,0  | 170            | 32,8                     | PHP 5SPB450TB  |
|         |                   | 500                  | 5           | 3535           | 507,0                | 35        | 90    | 101 | 457   | –    | 89  | 12,0  | 170            | 36,7                     | PHP 5SPB500TB  |
|         |                   | 530                  | 5           | 3525           | 537,0                | 35        | 90    | 101 | 487   | –    | 89  | 12,0  | 170            | 39,2                     | PHP 5SPB530TB  |
|         |                   | 560                  | 4           | 4040           | 567,0                | 40        | 100   | 101 | 517   | –    | 102 | 1,0   | 200            | 45,6                     | PHP 5SPB560TB  |
|         |                   | 630                  | 4           | 4040           | 637,0                | 40        | 100   | 101 | 587   | –    | 102 | 1,0   | 200            | 50,0                     | PHP 5SPB630TB  |
| 710     | 4                 | 4040                 | 717,0       | 40             | 100                  | 101       | 664   | –   | 102   | 1,0  | 200 | 63,5  | PHP 5SPB710TB  |                          |                |
| 800     | 4                 | 4040                 | 807,0       | 40             | 100                  | 101       | 754   | –   | 102   | 1,0  | 200 | 67,0  | PHP 5SPB800TB  |                          |                |
| 900     | 4                 | 4040                 | 907,0       | 40             | 100                  | 101       | 854   | –   | 114   | 1,0  | 200 | 103,0 | PHP 5SPB900TB  |                          |                |
| 1 000   | 4                 | 4545                 | 1 007,0     | 55             | 110                  | 101       | 954   | 6,5 | 114   | 6,5  | 225 | 110,0 | PHP 5SPB1000TB |                          |                |
| 1 250   | 4                 | 4545                 | 1 257,0     | 55             | 110                  | 101       | 1 204 | 6,5 | 114   | 6,5  | 225 | 180,0 | PHP 5SPB1250TB |                          |                |
| SPB     | 6                 | 125                  | 3           | 2012           | 132,0                | 14        | 50    | 120 | 83    | 44,0 | 32  | 44,0  | –              | 4,2                      | PHP 6SPB125TB  |
|         |                   | 132                  | 3           | 2012           | 139,0                | 14        | 50    | 120 | 90    | 44,0 | 32  | 44,0  | –              | 4,5                      | PHP 6SPB132TB  |
|         |                   | 140                  | 3           | 2517           | 147,0                | 16        | 60    | 120 | 97    | 37,5 | 45  | 37,5  | –              | 4,7                      | PHP 6SPB140TB  |
|         |                   | 150                  | 3           | 2517           | 157,0                | 16        | 60    | 120 | 107   | 37,5 | 45  | 37,5  | –              | 6,5                      | PHP 6SPB150TB  |
|         |                   | 160                  | 3           | 3020           | 167,0                | 25        | 75    | 120 | 117   | 34,5 | 51  | 34,5  | –              | 5,9                      | PHP 6SPB160TB  |
|         |                   | 170                  | 3           | 3020           | 177,0                | 25        | 75    | 120 | 127   | 34,5 | 51  | 34,5  | –              | 7,6                      | PHP 6SPB170TB  |
|         |                   | 180                  | 3           | 3020           | 187,0                | 25        | 75    | 120 | 137   | 34,5 | 51  | 34,5  | –              | 8,9                      | PHP 6SPB180TB  |
|         |                   | 190                  | 3           | 3020           | 197,0                | 25        | 75    | 120 | 147   | 34,5 | 51  | 34,5  | –              | 10,2                     | PHP 6SPB190TB  |
|         |                   | 200                  | 3           | 3020           | 207,0                | 25        | 75    | 120 | 157   | 34,5 | 51  | 34,5  | –              | 11,7                     | PHP 6SPB200TB  |
|         |                   | 212                  | 3           | 3535           | 219,0                | 35        | 90    | 120 | 169   | 15,5 | 89  | 15,5  | –              | 13,2                     | PHP 6SPB212TB  |
|         |                   | 224                  | 3           | 3535           | 231,0                | 35        | 90    | 120 | 181   | 15,5 | 89  | 15,5  | –              | 15,2                     | PHP 6SPB224TB  |
|         |                   | 236                  | 3           | 3535           | 243,0                | 35        | 90    | 120 | 193   | 15,5 | 89  | 15,5  | –              | 17,6                     | PHP 6SPB236TB  |
|         |                   | 250                  | 3           | 3535           | 257,0                | 35        | 90    | 120 | 207   | 15,5 | 89  | 15,5  | –              | 20,2                     | PHP 6SPB250TB  |
|         |                   | 280                  | 7           | 3535           | 287,0                | 35        | 90    | 120 | 237   | 15,5 | 89  | 15,5  | 191            | 23,5                     | PHP 6SPB280TB  |
|         |                   | 300                  | 5           | 3535           | 307,0                | 35        | 90    | 120 | 257   | 15,5 | 89  | 15,5  | 191            | 24,0                     | PHP 6SPB300TB  |
|         |                   | 315                  | 5           | 3535           | 322,0                | 35        | 90    | 120 | 272   | 15,5 | 89  | 15,5  | 191            | 24,1                     | PHP 6SPB315TB  |
|         |                   | 335                  | 5           | 3535           | 342,0                | 35        | 90    | 120 | 292   | 15,5 | 89  | 15,5  | 191            | 26,0                     | PHP 6SPB335TB  |
|         |                   | 355                  | 5           | 3535           | 362,0                | 35        | 90    | 120 | 312   | 15,5 | 89  | 15,5  | 191            | 28,3                     | PHP 6SPB355TB  |
|         |                   | 400                  | 5           | 3535           | 407,0                | 35        | 90    | 120 | 357   | 15,5 | 89  | 15,5  | 191            | 31,8                     | PHP 6SPB400TB  |
|         |                   | 450                  | 5           | 4040           | 457,0                | 40        | 100   | 120 | 407   | –    | 102 | 18,0  | 191            | 35,3                     | PHP 6SPB450TB  |
|         |                   | 500                  | 5           | 4040           | 507,0                | 40        | 100   | 120 | 457   | –    | 102 | 18,0  | 191            | 40,7                     | PHP 6SPB500TB  |
|         |                   | 560                  | 5           | 4040           | 567,0                | 40        | 100   | 120 | 517   | –    | 102 | 18,0  | 191            | 49,2                     | PHP 6SPB560TB  |

<sup>1)</sup> Mass does not include bushings.  
Non-functional dimensions may vary slightly.

# Wedge belt pulleys

SPB taper bushed | SPC taper bushed

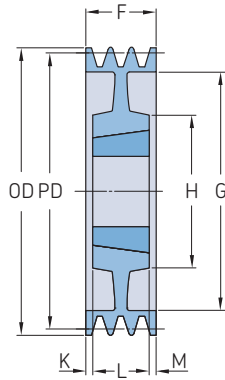


| Section | Number of grooves | Pitch diameter<br>PD | Pulley type | Bushing number | Dimensions           |    | B<br>Min. | Max. | F     | G    | K   | L    | M   | H     | Mass <sup>1)</sup><br>kg | Designation |
|---------|-------------------|----------------------|-------------|----------------|----------------------|----|-----------|------|-------|------|-----|------|-----|-------|--------------------------|-------------|
|         |                   |                      |             |                | Outer diameter<br>OD |    |           |      |       |      |     |      |     |       |                          |             |
| mm      |                   |                      |             |                |                      |    |           |      |       |      |     |      |     |       |                          |             |
| mm      |                   |                      |             |                |                      |    |           |      |       |      |     |      |     |       |                          |             |
| SPB     | 6                 | 630                  | 5           | 4040           | 637,0                | 40 | 100       | 120  | 587   | -    | 102 | 18,0 | 191 | 53,5  | PHP 6SPB630TB            |             |
|         |                   | 710                  | 5           | 4040           | 717,0                | 40 | 100       | 120  | 664   | 9,0  | 102 | 9,0  | 240 | 69,0  | PHP 6SPB710TB            |             |
|         |                   | 800                  | 5           | 4545           | 807,0                | 55 | 110       | 120  | 754   | 3,0  | 114 | 3,0  | 240 | 84,5  | PHP 6SPB800TB            |             |
|         |                   | 900                  | 5           | 4545           | 907,0                | 55 | 110       | 120  | 854   | 3,0  | 114 | 3,0  | 240 | 94,5  | PHP 6SPB900TB            |             |
|         |                   | 1 000                | 5           | 4545           | 1 007,0              | 55 | 110       | 120  | 954   | 3,0  | 114 | 3,0  | 240 | 104,0 | PHP 6SPB1000TB           |             |
|         |                   | 1 250                | 5           | 4545           | 1 257,0              | 55 | 110       | 120  | 1 204 | 3,0  | 127 | 3,0  | 240 | 210,0 | PHP 6SPB1250TB           |             |
| SPB     | 8                 | 140                  | 3           | 2517           | 147,0                | 16 | 60        | 158  | 97    | 56,5 | 45  | 56,5 | -   | 6,8   | PHP 8SPB140TB            |             |
|         |                   | 160                  | 3           | 3020           | 167,0                | 25 | 75        | 158  | 117   | 53,5 | 51  | 53,5 | -   | 8,3   | PHP 8SPB160TB            |             |
|         |                   | 170                  | 3           | 3030           | 177,0                | 35 | 75        | 158  | 127   | 41,0 | 76  | 41,0 | -   | 9,5   | PHP 8SPB170TB            |             |
|         |                   | 180                  | 3           | 3030           | 187,0                | 35 | 75        | 158  | 137   | 41,0 | 76  | 41,0 | -   | 10,8  | PHP 8SPB180TB            |             |
|         |                   | 190                  | 3           | 3030           | 197,0                | 35 | 75        | 158  | 147   | 41,0 | 76  | 41,0 | -   | 12,3  | PHP 8SPB190TB            |             |
|         |                   | 200                  | 3           | 3535           | 207,0                | 35 | 90        | 158  | 157   | 34,5 | 89  | 34,5 | -   | 13,7  | PHP 8SPB200TB            |             |
|         |                   | 212                  | 3           | 3535           | 219,0                | 35 | 90        | 158  | 169   | 34,5 | 89  | 34,5 | -   | 15,8  | PHP 8SPB212TB            |             |
|         |                   | 224                  | 3           | 3535           | 231,0                | 35 | 90        | 158  | 181   | 34,5 | 89  | 34,5 | -   | 17,9  | PHP 8SPB224TB            |             |
|         |                   | 236                  | 3           | 3535           | 243,0                | 35 | 90        | 158  | 193   | 34,5 | 89  | 34,5 | -   | 20,0  | PHP 8SPB236TB            |             |
|         |                   | 250                  | 3           | 3535           | 257,0                | 35 | 90        | 158  | 207   | 34,5 | 89  | 34,5 | -   | 23,2  | PHP 8SPB250TB            |             |
|         |                   | 280                  | 7           | 3535           | 287,0                | 35 | 90        | 158  | 237   | 34,5 | 89  | 34,5 | -   | 26,6  | PHP 8SPB280TB            |             |
|         |                   | 300                  | 7           | 3535           | 307,0                | 35 | 90        | 158  | 257   | 34,5 | 89  | 34,5 | 170 | 27,3  | PHP 8SPB300TB            |             |
|         |                   | 315                  | 7           | 3535           | 322,0                | 35 | 90        | 158  | 272   | 34,5 | 89  | 34,5 | 170 | 28,0  | PHP 8SPB315TB            |             |
|         |                   | 335                  | 7           | 3535           | 342,0                | 35 | 90        | 158  | 292   | 34,5 | 89  | 34,5 | 170 | 30,5  | PHP 8SPB335TB            |             |
|         |                   | 355                  | 7           | 3535           | 362,0                | 35 | 90        | 158  | 312   | 34,5 | 89  | 34,5 | 170 | 31,5  | PHP 8SPB355TB            |             |
|         |                   | 400                  | 5           | 4040           | 407,0                | 40 | 100       | 158  | 357   | 28,0 | 102 | 28,0 | 200 | 43,0  | PHP 8SPB400TB            |             |
|         |                   | 450                  | 5           | 4040           | 457,0                | 40 | 100       | 158  | 407   | 28,0 | 102 | 28,0 | 200 | 46,0  | PHP 8SPB450TB            |             |
|         |                   | 500                  | 5           | 4040           | 507,0                | 40 | 100       | 158  | 457   | 28,0 | 102 | 28,0 | 200 | 52,0  | PHP 8SPB500TB            |             |
|         |                   | 560                  | 5           | 4545           | 567,0                | 55 | 110       | 158  | 517   | 22,0 | 114 | 22,0 | 225 | 54,5  | PHP 8SPB560TB            |             |
|         |                   | 630                  | 5           | 4545           | 637,0                | 55 | 110       | 158  | 587   | 22,0 | 114 | 22,0 | 225 | 67,0  | PHP 8SPB630TB            |             |
|         |                   | 710                  | 5           | 4545           | 717,0                | 55 | 110       | 158  | 664   | 22,0 | 114 | 22,0 | 225 | 75,5  | PHP 8SPB710TB            |             |
|         |                   | 800                  | 5           | 4545           | 807,0                | 55 | 110       | 158  | 754   | 22,0 | 114 | 22,0 | 225 | 94,5  | PHP 8SPB800TB            |             |
|         |                   | 900                  | 5           | 4545           | 907,0                | 55 | 110       | 158  | 854   | 22,0 | 114 | 22,0 | 225 | 113,5 | PHP 8SPB900TB            |             |
|         |                   | 1 000                | 5           | 5050           | 1 007,0              | 70 | 125       | 158  | 954   | 15,5 | 127 | 15,5 | 245 | 121,5 | PHP 8SPB1000TB           |             |
|         |                   | 1 250                | 5           | 5050           | 1 257,0              | 70 | 125       | 158  | 1 204 | 15,5 | 127 | 15,5 | 245 | 242,0 | PHP 8SPB1250TB           |             |
| SPB     | 10                | 224                  | 3           | 3535           | 231,0                | 35 | 90        | 196  | 181   | 53,5 | 89  | 53,5 | -   | 20,5  | PHP 10SPB224TB           |             |
|         |                   | 236                  | 3           | 3535           | 243,0                | 35 | 90        | 196  | 193   | 53,5 | 89  | 53,5 | -   | 22,6  | PHP 10SPB236TB           |             |
|         |                   | 250                  | 3           | 3535           | 257,0                | 35 | 90        | 196  | 207   | 53,5 | 89  | 53,5 | -   | 26,6  | PHP 10SPB250TB           |             |
|         |                   | 280                  | 6           | 3535           | 287,0                | 35 | 90        | 196  | 237   | 53,5 | 89  | 53,5 | -   | 27,8  | PHP 10SPB280TB           |             |
|         |                   | 315                  | 7           | 3535           | 322,0                | 35 | 90        | 196  | 272   | 53,5 | 89  | 53,5 | 170 | 28,8  | PHP 10SPB315TB           |             |
|         |                   | 335                  | 5           | 4040           | 342,0                | 40 | 100       | 196  | 292   | 47,0 | 102 | 47,0 | 200 | 32,0  | PHP 10SPB335TB           |             |
|         |                   | 355                  | 5           | 4040           | 362,0                | 40 | 100       | 196  | 312   | 47,0 | 102 | 47,0 | 200 | 33,5  | PHP 10SPB355TB           |             |
|         |                   | 400                  | 5           | 4040           | 407,0                | 40 | 100       | 196  | 357   | 47,0 | 102 | 47,0 | 200 | 36,0  | PHP 10SPB400TB           |             |
|         |                   | 450                  | 5           | 4545           | 457,0                | 55 | 110       | 196  | 407   | 41,0 | 114 | 41,0 | 225 | 47,0  | PHP 10SPB450TB           |             |
|         |                   | 500                  | 5           | 4545           | 507,0                | 55 | 110       | 196  | 457   | 41,0 | 114 | 41,0 | 225 | 55,0  | PHP 10SPB500TB           |             |
|         |                   | 560                  | 5           | 4545           | 567,0                | 55 | 110       | 196  | 517   | 41,0 | 114 | 41,0 | 225 | 59,0  | PHP 10SPB560TB           |             |
|         |                   | 630                  | 5           | 4545           | 637,0                | 55 | 110       | 196  | 587   | 41,0 | 114 | 41,0 | 225 | 66,0  | PHP 10SPB630TB           |             |
|         |                   | 710                  | 5           | 4545           | 717,0                | 55 | 125       | 196  | 664   | 41,0 | 114 | 41,0 | 225 | 75,0  | PHP 10SPB710TB           |             |
|         |                   | 800                  | 5           | 4545           | 807,0                | 55 | 125       | 196  | 754   | 41,0 | 114 | 41,0 | 225 | 96,0  | PHP 10SPB800TB           |             |
|         |                   | 900                  | 5           | 5050           | 907,0                | 70 | 125       | 196  | 854   | 34,5 | 127 | 34,5 | 245 | 119,0 | PHP 10SPB900TB           |             |
|         |                   | 1 000                | 5           | 5050           | 1 007,0              | 70 | 125       | 196  | 954   | 34,5 | 127 | 34,5 | 245 | 141,0 | PHP 10SPB1000TB          |             |
|         |                   | 1 250                | 5           | 5050           | 1 257,0              | 70 | 125       | 196  | 1 203 | 35,0 | 127 | -    | -   | 265,0 | PHP 10SPB1250TB          |             |
| SPC     | 3                 | 200                  | 3           | 2517           | 209,6                | 16 | 60        | 85   | 150   | 20,0 | 45  | 20,0 | -   | 10,2  | PHP 3SPC200TB            |             |
|         |                   | 212                  | 3           | 3020           | 221,6                | 25 | 75        | 85   | 162   | 17,0 | 51  | 17,0 | -   | 11,2  | PHP 3SPC212TB            |             |
|         |                   | 224                  | 3           | 3020           | 233,6                | 25 | 75        | 85   | 173   | 17,0 | 51  | 17,0 | -   | 12,7  | PHP 3SPC224TB            |             |
|         |                   | 236                  | 3           | 3020           | 245,6                | 25 | 75        | 85   | 185   | 17,0 | 51  | 17,0 | -   | 14,4  | PHP 3SPC236TB            |             |
|         |                   | 250                  | 3           | 3020           | 259,6                | 25 | 75        | 85   | 194   | 17,0 | 51  | 17,0 | -   | 16,5  | PHP 3SPC250TB            |             |

<sup>1)</sup> Mass does not include bushings.  
Non-functional dimensions may vary slightly.



**Wedge belt pulleys**  
SPC taper bushed

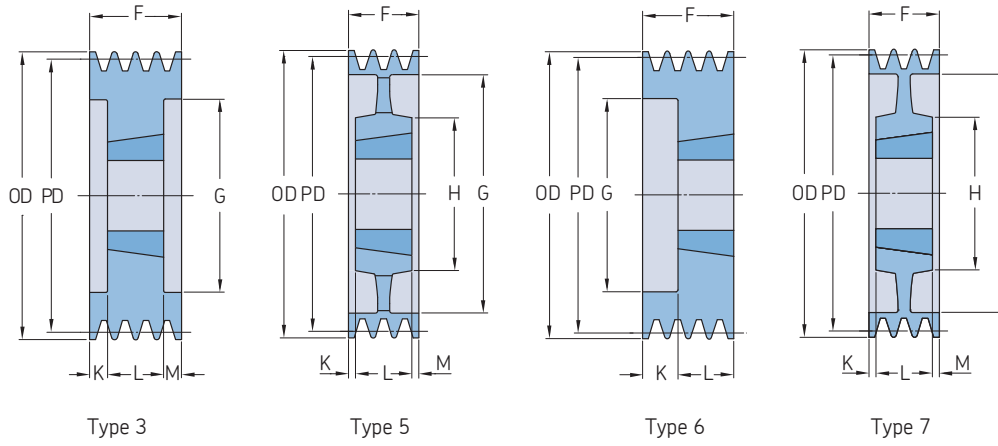


Type 7

| Section | Number of grooves | Pitch diameter<br>PD | Pulley type | Bushing number | Dimensions           |                | F       | G   | K     | L    | M    | H    | Mass <sup>1)</sup> | Designation |                |               |                |
|---------|-------------------|----------------------|-------------|----------------|----------------------|----------------|---------|-----|-------|------|------|------|--------------------|-------------|----------------|---------------|----------------|
|         |                   |                      |             |                | Outer diameter<br>OD | B<br>Min. Max. |         |     |       |      |      |      |                    |             |                |               |                |
|         |                   |                      |             |                |                      |                |         |     |       |      |      |      | kg                 | -           |                |               |                |
| SPC     | 3                 | 265                  | 1           | 3535           | 274,6                | 35             | 90      | 85  | -     | -    | 89   | 4,0  | 170                | 19,7        | PHP 3SPC265TB  |               |                |
|         |                   | 280                  | 1           | 3535           | 289,6                | 35             | 90      | 85  | -     | -    | 89   | 4,0  | 170                | 22,7        | PHP 3SPC280TB  |               |                |
|         |                   | 300                  | 4           | 3535           | 309,6                | 35             | 90      | 85  | 249   | 2,0  | 89   | 2,0  | 170                | 22,7        | PHP 3SPC300TB  |               |                |
|         |                   | 315                  | 7           | 3535           | 324,6                | 35             | 90      | 85  | 264   | 2,0  | 89   | 2,0  | 170                | 22,0        | PHP 3SPC315TB  |               |                |
|         |                   | 335                  | 4           | 3535           | 344,6                | 35             | 90      | 85  | 284   | 2,0  | 89   | 2,0  | 170                | 24,1        | PHP 3SPC335TB  |               |                |
|         |                   | 355                  | 4           | 3535           | 364,6                | 35             | 90      | 85  | 304   | 2,0  | 89   | 2,0  | 170                | 26,2        | PHP 3SPC355TB  |               |                |
|         | SPC               | 4                    | 375         | 4              | 3535                 | 384,6          | 35      | 90  | 85    | 324  | 2,0  | 89   | 2,0                | 170         | 28,0           | PHP 3SPC375TB |                |
|         |                   |                      | 400         | 4              | 3535                 | 409,6          | 35      | 90  | 85    | 344  | 2,0  | 89   | 2,0                | 170         | 29,3           | PHP 3SPC400TB |                |
|         |                   |                      | 425         | 4              | 3535                 | 434,6          | 35      | 90  | 85    | 369  | 2,0  | 89   | 2,0                | 170         | 32,8           | PHP 3SPC425TB |                |
|         |                   |                      | 450         | 4              | 3535                 | 459,6          | 35      | 90  | 85    | 394  | 2,0  | 89   | 2,0                | 170         | 34,7           | PHP 3SPC450TB |                |
|         |                   |                      | 475         | 4              | 3535                 | 484,6          | 35      | 90  | 85    | 419  | 2,0  | 89   | 2,0                | 170         | 36,5           | PHP 3SPC475TB |                |
|         |                   |                      | 500         | 4              | 3535                 | 509,6          | 35      | 90  | 85    | 444  | 2,0  | 89   | 2,0                | 170         | 40,0           | PHP 3SPC500TB |                |
|         |                   | SPC                  | 4           | 530            | 4                    | 3535           | 539,6   | 35  | 90    | 85   | 474  | 2,0  | 89                 | 2,0         | 170            | 42,5          | PHP 3SPC530TB  |
|         |                   |                      |             | 560            | 4                    | 3535           | 569,6   | 35  | 90    | 85   | 504  | 2,0  | 89                 | 2,0         | 170            | 45,9          | PHP 3SPC560TB  |
|         |                   |                      |             | 630            | 4                    | 4040           | 639,6   | 40  | 100   | 85   | 574  | 8,5  | 102                | 8,5         | 200            | 76,3          | PHP 3SPC630TB  |
|         |                   |                      |             | 710            | 4                    | 4040           | 719,6   | 70  | 100   | 85   | 654  | 8,5  | 102                | 8,5         | 200            | 81,6          | PHP 3SPC710TB  |
|         |                   |                      |             | 800            | 4                    | 4545           | 809,6   | 55  | 110   | 85   | 737  | 14,5 | 114                | 14,5        | 225            | 87,0          | PHP 3SPC800TB  |
|         |                   |                      |             | 1 000          | 4                    | 5050           | 1 009,6 | 70  | 125   | 85   | 937  | 21,0 | 127                | 21,0        | 245            | 120,0         | PHP 3SPC1000TB |
| SPC     | 5                 | 1 250                | 4           | 5050           | 1 259,6              | 70             | 125     | 85  | 1 187 | 21,0 | 127  | 21,0 | 245                | 175,0       | PHP 3SPC1250TB |               |                |
|         |                   | 200                  | 3           | 3020           | 209,6                | 25             | 75      | 111 | 144   | 30,0 | 51   | 30,0 | -                  | 11,3        | PHP 4SPC200TB  |               |                |
|         |                   | 212                  | 3           | 3020           | 221,6                | 25             | 75      | 111 | 156   | 30,0 | 51   | 30,0 | -                  | 13,0        | PHP 4SPC212TB  |               |                |
|         |                   | 224                  | 3           | 3535           | 233,6                | 35             | 90      | 111 | 168   | 11,0 | 89   | 11,0 | -                  | 14,5        | PHP 4SPC224TB  |               |                |
|         |                   | 236                  | 3           | 3535           | 245,6                | 35             | 90      | 111 | 180   | 11,0 | 89   | 11,0 | -                  | 16,7        | PHP 4SPC236TB  |               |                |
|         |                   | 250                  | 3           | 3535           | 259,6                | 35             | 90      | 111 | 194   | 11,0 | 89   | 11,0 | -                  | 19,3        | PHP 4SPC250TB  |               |                |
|         | SPC               | 5                    | 265         | 3              | 3535                 | 274,6          | 35      | 90  | 111   | 209  | 11,0 | 89   | 11,0               | -           | 22,4           | PHP 4SPC265TB |                |
|         |                   |                      | 280         | 7              | 3535                 | 289,6          | 35      | 90  | 111   | 224  | 11,0 | 89   | 11,0               | -           | 25,4           | PHP 4SPC280TB |                |
|         |                   |                      | 300         | 5              | 3535                 | 309,6          | 35      | 90  | 111   | 244  | 11,0 | 89   | 11,0               | 170         | 25,4           | PHP 4SPC300TB |                |
|         |                   |                      | 315         | 5              | 3535                 | 324,6          | 35      | 90  | 111   | 259  | 11,0 | 89   | 11,0               | 170         | 25,3           | PHP 4SPC315TB |                |
|         |                   |                      | 335         | 5              | 3535                 | 344,6          | 35      | 90  | 111   | 279  | 11,0 | 89   | 11,0               | 170         | 27,4           | PHP 4SPC335TB |                |
|         |                   |                      | 355         | 5              | 3535                 | 364,6          | 35      | 90  | 111   | 299  | 11,0 | 89   | 11,0               | 170         | 29,6           | PHP 4SPC355TB |                |
|         | SPC               | 5                    | 375         | 5              | 3535                 | 384,6          | 35      | 90  | 111   | 319  | 11,0 | 89   | 11,0               | 170         | 31,3           | PHP 4SPC375TB |                |
|         |                   |                      | 400         | 5              | 3535                 | 409,6          | 35      | 90  | 111   | 344  | 11,0 | 89   | 11,0               | 170         | 33,8           | PHP 4SPC400TB |                |
|         |                   |                      | 425         | 5              | 3535                 | 434,6          | 35      | 90  | 111   | 369  | 11,0 | 89   | 11,0               | 170         | 38,0           | PHP 4SPC425TB |                |
|         |                   |                      | 450         | 5              | 3535                 | 459,6          | 35      | 90  | 111   | 394  | 11,0 | 89   | 11,0               | 170         | 41,3           | PHP 4SPC450TB |                |
|         |                   |                      | 475         | 5              | 3535                 | 484,6          | 35      | 90  | 111   | 419  | 11,0 | 89   | 11,0               | 170         | 43,7           | PHP 4SPC475TB |                |
|         |                   |                      | 500         | 5              | 3535                 | 509,6          | 35      | 90  | 111   | 444  | 11,0 | 89   | 11,0               | 170         | 46,0           | PHP 4SPC500TB |                |
| SPC     | 5                 | 530                  | 5           | 4040           | 539,6                | 40             | 100     | 111 | 474   | 4,5  | 102  | 4,5  | 170                | 52,0        | PHP 4SPC530TB  |               |                |
|         |                   | 560                  | 5           | 4040           | 569,6                | 40             | 100     | 111 | 504   | 4,5  | 102  | 4,5  | 200                | 58,0        | PHP 4SPC560TB  |               |                |
|         |                   | 630                  | 4           | 4545           | 639,6                | 55             | 110     | 111 | 574   | 1,5  | 114  | 1,5  | 225                | 63,8        | PHP 4SPC630TB  |               |                |
|         |                   | 710                  | 4           | 5050           | 719,6                | 70             | 125     | 111 | 654   | 8,0  | 127  | 8,0  | 267                | 83,2        | PHP 4SPC710TB  |               |                |
|         |                   | 800                  | 4           | 5050           | 809,6                | 70             | 125     | 111 | 737   | 8,0  | 127  | 8,0  | 267                | 102,5       | PHP 4SPC800TB  |               |                |
|         |                   | 1 000                | 4           | 5050           | 1 009,6              | 70             | 125     | 111 | 937   | 8,0  | 127  | 8,0  | 267                | 130,0       | PHP 4SPC1000TB |               |                |
| SPC     | 5                 | 1 250                | 4           | 5050           | 1 259,6              | 70             | 125     | 111 | 1 187 | 8,0  | 127  | 8,0  | 267                | 186,0       | PHP 4SPC1250TB |               |                |
|         |                   | 200                  | 3           | 3535           | 209,6                | 35             | 90      | 136 | 150   | 23,5 | 89   | 23,5 | -                  | 12,2        | PHP 5SPC200TB  |               |                |
|         |                   | 212                  | 3           | 3535           | 221,6                | 35             | 90      | 136 | 160   | 23,5 | 89   | 23,5 | -                  | 14,5        | PHP 5SPC212TB  |               |                |
|         |                   | 224                  | 3           | 3535           | 233,6                | 35             | 90      | 136 | 173   | 23,5 | 89   | 23,5 | -                  | 16,6        | PHP 5SPC224TB  |               |                |
|         |                   | 236                  | 3           | 3535           | 245,6                | 35             | 90      | 136 | 185   | 23,5 | 89   | 23,5 | -                  | 18,9        | PHP 5SPC236TB  |               |                |
|         |                   | 250                  | 3           | 3535           | 259,6                | 35             | 90      | 136 | 198   | 23,5 | 89   | 23,5 | -                  | 21,5        | PHP 5SPC250TB  |               |                |
|         | SPC               | 5                    | 265         | 3              | 3535                 | 274,6          | 35      | 90  | 136   | 213  | 23,5 | 89   | 23,5               | -           | 25,0           | PHP 5SPC265TB |                |
|         |                   |                      | 280         | 3              | 3535                 | 289,6          | 35      | 90  | 136   | 228  | 23,5 | 89   | 23,5               | -           | 28,4           | PHP 5SPC280TB |                |
|         |                   |                      | 300         | 7              | 3535                 | 309,6          | 35      | 90  | 136   | 247  | 23,5 | 89   | 23,5               | 170         | 28,2           | PHP 5SPC300TB |                |
|         |                   |                      | 315         | 5              | 3535                 | 324,6          | 35      | 90  | 136   | 264  | 23,5 | 89   | 23,5               | 170         | 28,1           | PHP 5SPC315TB |                |
|         |                   |                      | 335         | 5              | 3535                 | 344,6          | 35      | 90  | 136   | 280  | 23,5 | 89   | 23,5               | 170         | 31,1           | PHP 5SPC335TB |                |

<sup>1)</sup> Mass does not include bushings.  
Non-functional dimensions may vary slightly.

**Wedge belt pulleys**  
SPC taper bushed



| Section | Number of grooves | Pitch diameter<br>PD | Pulley type | Bushing number | Dimensions           |           |       | F    | G     | K    | L   | M     | H              | Mass <sup>1)</sup> | Designation    |      |               |
|---------|-------------------|----------------------|-------------|----------------|----------------------|-----------|-------|------|-------|------|-----|-------|----------------|--------------------|----------------|------|---------------|
|         |                   |                      |             |                | Outer diameter<br>OD | B<br>Min. | Max.  |      |       |      |     |       |                |                    |                |      |               |
|         |                   | mm                   | -           | -              | mm                   |           |       |      |       |      |     |       |                | kg                 | -              |      |               |
| SPC     | 5                 | 355                  | 5           | 3535           | 364,6                | 35        | 90    | 136  | 304   | 23,5 | 89  | 23,5  | 170            | 33,1               | PHP 5SPC355TB  |      |               |
|         |                   | 375                  | 5           | 3535           | 384,6                | 35        | 90    | 136  | 324   | 23,5 | 89  | 23,5  | 170            | 35,6               | PHP 5SPC375TB  |      |               |
|         |                   | 400                  | 5           | 3535           | 409,6                | 35        | 90    | 136  | 344   | 23,5 | 89  | 23,5  | 170            | 38,5               | PHP 5SPC400TB  |      |               |
|         |                   | 425                  | 5           | 3535           | 434,6                | 35        | 90    | 136  | 369   | 23,5 | 89  | 23,5  | 170            | 42,5               | PHP 5SPC425TB  |      |               |
|         |                   | 450                  | 5           | 4040           | 459,6                | 40        | 100   | 136  | 394   | 17,0 | 102 | 17,0  | 200            | 44,3               | PHP 5SPC450TB  |      |               |
|         |                   | 475                  | 5           | 4040           | 484,6                | 40        | 100   | 136  | 419   | 17,0 | 102 | 17,0  | 200            | 48,5               | PHP 5SPC475TB  |      |               |
|         |                   | 500                  | 5           | 4040           | 509,6                | 40        | 100   | 136  | 444   | 17,0 | 102 | 17,0  | 200            | 51,0               | PHP 5SPC500TB  |      |               |
|         |                   | 530                  | 5           | 4545           | 539,6                | 55        | 110   | 136  | 474   | 11,0 | 102 | 11,0  | 200            | 66,0               | PHP 5SPC530TB  |      |               |
|         |                   | 560                  | 5           | 4545           | 569,6                | 55        | 110   | 136  | 504   | 11,0 | 114 | 11,0  | 200            | 66,7               | PHP 5SPC560TB  |      |               |
|         |                   | 630                  | 5           | 5050           | 639,6                | 70        | 125   | 136  | 574   | 4,5  | 127 | 4,5   | 245            | 73,0               | PHP 5SPC630TB  |      |               |
|         |                   | 710                  | 5           | 5050           | 719,6                | 70        | 125   | 136  | 654   | 4,5  | 127 | 4,5   | 245            | 93,0               | PHP 5SPC710TB  |      |               |
|         |                   | 800                  | 5           | 5050           | 809,6                | 70        | 125   | 136  | 737   | 4,5  | 127 | 4,5   | 245            | 119,0              | PHP 5SPC800TB  |      |               |
|         |                   | 1 000                | 5           | 5050           | 1 009,6              | 70        | 125   | 136  | 937   | 4,5  | 127 | 4,5   | 245            | 147,0              | PHP 5SPC1000TB |      |               |
|         |                   | 1 250                | 5           | 5050           | 1 259,6              | 70        | 125   | 136  | 1 187 | 4,5  | 127 | 4,5   | 245            | 210,0              | PHP 5SPC1250TB |      |               |
|         |                   | SPC                  | 6           | 200            | 3                    | 3535      | 209,6 | 35   | 90    | 162  | 148 | 36,5  | 89             | 36,5               | -              | 14,1 | PHP 6SPC200TB |
|         |                   |                      |             | 212            | 3                    | 3535      | 221,6 | 35   | 90    | 162  | 160 | 36,5  | 89             | 36,5               | -              | 16,5 | PHP 6SPC212TB |
|         |                   |                      |             | 224            | 3                    | 3535      | 233,6 | 35   | 90    | 162  | 173 | 36,5  | 89             | 36,5               | -              | 18,0 | PHP 6SPC224TB |
|         |                   |                      |             | 236            | 3                    | 3535      | 245,6 | 35   | 90    | 162  | 185 | 36,5  | 89             | 36,5               | -              | 21,3 | PHP 6SPC236TB |
| 250     | 3                 |                      |             | 3535           | 259,6                | 35        | 90    | 162  | 198   | 36,5 | 89  | 36,5  | -              | 29,0               | PHP 6SPC250TB  |      |               |
| 265     | 3                 |                      |             | 3535           | 274,6                | 35        | 90    | 162  | 213   | 36,5 | 89  | 36,5  | -              | 30,3               | PHP 6SPC265TB  |      |               |
| 280     | 7                 |                      |             | 3535           | 289,6                | 35        | 90    | 162  | 228   | 36,5 | 89  | 36,5  | -              | 31,5               | PHP 6SPC280TB  |      |               |
| 300     | 7                 |                      |             | 3535           | 309,6                | 35        | 90    | 162  | 247   | 36,5 | 89  | 36,5  | 170            | 31,5               | PHP 6SPC300TB  |      |               |
| 315     | 5                 |                      |             | 3535           | 324,6                | 35        | 90    | 162  | 264   | 36,5 | 89  | 36,5  | 170            | 33,2               | PHP 6SPC315TB  |      |               |
| 335     | 5                 |                      |             | 3535           | 344,6                | 35        | 90    | 162  | 280   | 36,5 | 89  | 36,5  | 170            | 37,5               | PHP 6SPC335TB  |      |               |
| 355     | 5                 |                      |             | 3535           | 364,6                | 35        | 90    | 162  | 304   | 36,5 | 89  | 36,5  | 170            | 40,5               | PHP 6SPC355TB  |      |               |
| 375     | 5                 |                      |             | 4040           | 384,6                | 40        | 100   | 162  | 324   | 30,0 | 102 | 30,0  | 200            | 44,5               | PHP 6SPC375TB  |      |               |
| 400     | 5                 |                      |             | 4040           | 409,6                | 40        | 100   | 162  | 348   | 30,0 | 102 | 30,0  | 200            | 48,0               | PHP 6SPC400TB  |      |               |
| 425     | 5                 |                      |             | 4040           | 434,6                | 40        | 100   | 162  | 369   | 30,0 | 102 | 30,0  | 225            | 51,0               | PHP 6SPC425TB  |      |               |
| 450     | 7                 |                      |             | 4545           | 459,6                | 55        | 110   | 162  | 394   | 24,0 | 114 | 24,0  | 225            | 57,5               | PHP 6SPC450TB  |      |               |
| 475     | 5                 |                      |             | 4545           | 484,6                | 55        | 110   | 162  | 419   | 24,0 | 114 | 24,0  | 225            | 62,0               | PHP 6SPC475TB  |      |               |
| 500     | 5                 |                      |             | 4545           | 509,6                | 55        | 110   | 162  | 444   | 24,0 | 114 | 24,0  | 225            | 67,0               | PHP 6SPC500TB  |      |               |
| 530     | 5                 |                      |             | 5050           | 539,6                | 70        | 125   | 162  | 474   | 17,5 | 114 | 17,5  | 245            | 74,5               | PHP 6SPC530TB  |      |               |
| 560     | 5                 | 5050                 | 569,6       | 70             | 125                  | 162       | 504   | 17,5 | 127   | 17,5 | 245 | 77,5  | PHP 6SPC560TB  |                    |                |      |               |
| 630     | 5                 | 5050                 | 639,6       | 70             | 125                  | 162       | 574   | 17,5 | 127   | 17,5 | 245 | 88,5  | PHP 6SPC630TB  |                    |                |      |               |
| 710     | 5                 | 5050                 | 719,6       | 70             | 125                  | 162       | 654   | 17,5 | 127   | 17,5 | 245 | 107,3 | PHP 6SPC710TB  |                    |                |      |               |
| 800     | 5                 | 5050                 | 809,6       | 70             | 125                  | 162       | 737   | 17,5 | 127   | 17,5 | 245 | 126,0 | PHP 6SPC800TB  |                    |                |      |               |
| 1 000   | 5                 | 5050                 | 1 009,6     | 70             | 125                  | 162       | 937   | 17,5 | 127   | 17,5 | 245 | 185,0 | PHP 6SPC1000TB |                    |                |      |               |
| 1 250   | 5                 | 5050                 | 1 259,6     | 70             | 125                  | 162       | 1 187 | 17,5 | 127   | 17,5 | 245 | 258,0 | PHP 6SPC1250TB |                    |                |      |               |
| SPC     | 8                 | 200                  | 3           | 3535           | 209,6                | 35        | 90    | 213  | 148   | 62,0 | 89  | 62,0  | -              | 20,0               | PHP 8SPC200TB  |      |               |
|         |                   | 212                  | 3           | 3535           | 221,6                | 35        | 90    | 213  | 160   | 62,0 | 89  | 62,0  | -              | 21,3               | PHP 8SPC212TB  |      |               |
|         |                   | 224                  | 3           | 3535           | 233,6                | 35        | 90    | 213  | 170   | 62,0 | 89  | 62,0  | -              | 22,9               | PHP 8SPC224TB  |      |               |
|         |                   | 236                  | 3           | 3535           | 245,6                | 35        | 90    | 213  | 184   | 62,0 | 89  | 62,0  | -              | 25,9               | PHP 8SPC236TB  |      |               |
|         |                   | 250                  | 3           | 3535           | 259,6                | 35        | 90    | 213  | 198   | 62,0 | 89  | 62,0  | -              | 29,0               | PHP 8SPC250TB  |      |               |
|         |                   | 265                  | 3           | 3535           | 274,6                | 35        | 90    | 213  | 213   | 62,0 | 89  | 62,0  | -              | 32,5               | PHP 8SPC265TB  |      |               |
|         |                   | 280                  | 3           | 3535           | 289,6                | 35        | 90    | 213  | 228   | 62,0 | 89  | 62,0  | -              | 36,1               | PHP 8SPC280TB  |      |               |
|         |                   | 300                  | 3           | 4040           | 309,6                | 40        | 100   | 213  | 207   | 55,5 | 102 | 55,5  | -              | 37,1               | PHP 8SPC300TB  |      |               |
|         |                   | 315                  | 3           | 4040           | 324,6                | 40        | 100   | 213  | 258   | 55,5 | 102 | 55,5  | -              | 40,0               | PHP 8SPC315TB  |      |               |
|         |                   | 335                  | 7           | 4040           | 344,6                | 40        | 100   | 213  | 280   | 55,5 | 102 | 55,5  | 210            | 44,0               | PHP 8SPC335TB  |      |               |
|         |                   | 355                  | 5           | 4040           | 364,6                | 40        | 100   | 213  | 304   | 55,5 | 102 | 55,5  | 210            | 49,0               | PHP 8SPC355TB  |      |               |
|         |                   | 375                  | 5           | 4545           | 384,6                | 55        | 110   | 213  | 324   | 49,5 | 114 | 49,5  | 242            | 54,5               | PHP 8SPC375TB  |      |               |
|         |                   | 400                  | 5           | 4545           | 409,6                | 55        | 110   | 213  | 348   | 49,5 | 114 | 49,5  | 242            | 58,0               | PHP 8SPC400TB  |      |               |
|         |                   | 425                  | 5           | 4545           | 434,6                | 55        | 110   | 213  | 369   | 49,5 | 114 | 49,5  | 242            | 63,5               | PHP 8SPC425TB  |      |               |
|         |                   | 450                  | 5           | 5050           | 459,6                | 70        | 125   | 213  | 394   | 43,0 | 127 | 43,0  | 267            | 70,0               | PHP 8SPC450TB  |      |               |

<sup>1)</sup> Mass does not include bushings.  
Non-functional dimensions may vary slightly.

## Wedge belt pulleys

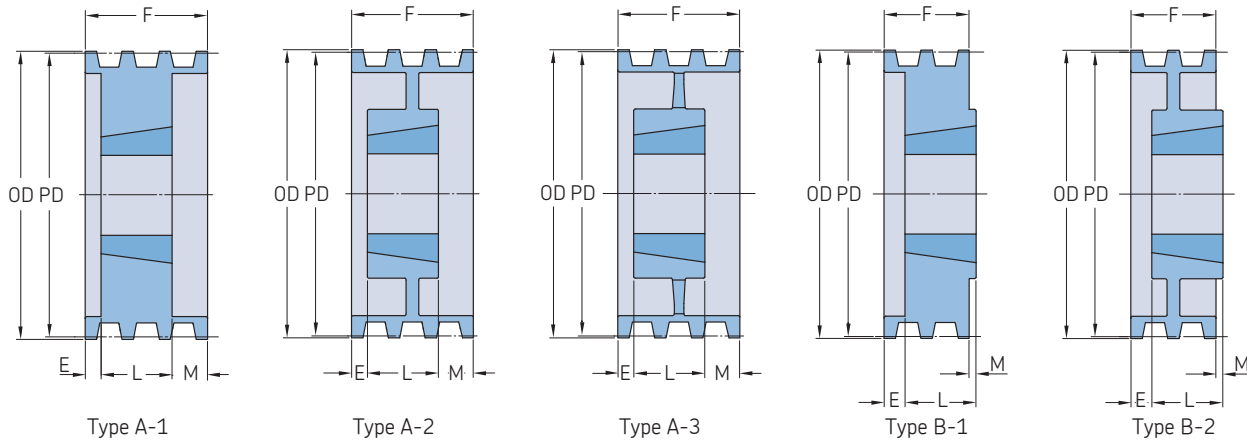
### SPC taper bushed

| Section | Number of grooves | Pitch diameter<br>PD | Pulley type | Bushing number | Dimensions           |           |       |     |       |      |     |      |     | Mass <sup>1)</sup> | Designation     |      |                |
|---------|-------------------|----------------------|-------------|----------------|----------------------|-----------|-------|-----|-------|------|-----|------|-----|--------------------|-----------------|------|----------------|
|         |                   |                      |             |                | Outer diameter<br>OD | B<br>Min. | Max.  | F   | G     | K    | L   | M    | H   |                    |                 |      |                |
| –       | –                 | mm                   | –           | –              | mm                   |           |       |     |       |      |     |      |     | kg                 | –               |      |                |
| SPC     | 8                 | 475                  | 5           | 5050           | 484,6                | 70        | 125   | 213 | 419   | 43,0 | 127 | 43,0 | 267 | 72,0               | PHP 8SPC475TB   |      |                |
|         |                   | 500                  | 5           | 5050           | 509,6                | 70        | 125   | 213 | 444   | 43,0 | 127 | 43,0 | 267 | 82,5               | PHP 8SPC500TB   |      |                |
|         |                   | 530                  | 5           | 5050           | 539,6                | 70        | 125   | 213 | 474   | 43,0 | 127 | 43,0 | 267 | 82,5               | PHP 8SPC530TB   |      |                |
|         |                   | 560                  | 5           | 5050           | 569,6                | 70        | 125   | 213 | 504   | 43,0 | 127 | 43,0 | 267 | 94,5               | PHP 8SPC560TB   |      |                |
|         |                   | 630                  | 5           | 5050           | 639,6                | 70        | 125   | 213 | 574   | 43,0 | 127 | 43,0 | 267 | 102,0              | PHP 8SPC630TB   |      |                |
|         |                   | 710                  | 5           | 5050           | 719,6                | 70        | 125   | 213 | 656   | 43,0 | 127 | 43,0 | 267 | 123,5              | PHP 8SPC710TB   |      |                |
|         |                   | 800                  | 5           | 5050           | 809,6                | 70        | 125   | 213 | 737   | 43,0 | 127 | 43,0 | 267 | 145,0              | PHP 8SPC800TB   |      |                |
|         |                   | 1 000                | 5           | 5050           | 1 009,6              | 70        | 125   | 213 | 937   | 43,0 | 127 | 43,0 | 267 | 207,0              | PHP 8SPC1000TB  |      |                |
|         |                   | 1 250                | 5           | 5050           | 1 259,6              | 70        | 125   | 213 | 1 187 | 43,0 | 127 | 43,0 | 267 | 285,0              | PHP 8SPC1250TB  |      |                |
|         |                   | SPC                  | 10          | 224            | 3                    | 4040      | 233,6 | 40  | 100   | 264  | 168 | 81,0 | 102 | –                  | –               | 28,0 | PHP 10SPC224TB |
|         |                   |                      |             | 236            | 3                    | 4040      | 245,6 | 40  | 100   | 264  | 180 | 81,0 | 102 | 81,0               | –               | 30,9 | PHP 10SPC236TB |
| 250     | 3                 |                      |             | 4040           | 259,6                | 40        | 100   | 264 | 196   | 81,0 | 102 | 81,0 | –   | 35,0               | PHP 10SPC250TB  |      |                |
| 265     | 3                 |                      |             | 4040           | 274,6                | 40        | 100   | 264 | 209   | 81,0 | 102 | 81,0 | –   | 39,5               | PHP 10SPC265TB  |      |                |
| 280     | 3                 |                      |             | 4040           | 289,6                | 40        | 100   | 264 | 226   | 81,0 | 102 | 81,0 | –   | 42,1               | PHP 10SPC280TB  |      |                |
| 300     | 3                 |                      |             | 4545           | 309,6                | 55        | 110   | 264 | 245   | 75,0 | 114 | 75,0 | –   | 44,1               | PHP 10SPC300TB  |      |                |
| 315     | 3                 |                      |             | 4545           | 324,6                | 55        | 110   | 264 | 258   | 75,0 | 114 | 75,0 | –   | 47,0               | PHP 10SPC315TB  |      |                |
| 335     | 3                 |                      |             | 4545           | 344,6                | 55        | 110   | 264 | 279   | 75,0 | 114 | 75,0 | –   | 51,0               | PHP 10SPC335TB  |      |                |
| 355     | 3                 |                      |             | 4545           | 364,6                | 55        | 110   | 264 | 299   | 75,0 | 114 | 75,0 | –   | 57,0               | PHP 10SPC355TB  |      |                |
| 375     | 3                 |                      |             | 4545           | 384,6                | 55        | 110   | 264 | 319   | 68,5 | 127 | 68,5 | 245 | 62,5               | PHP 10SPC375TB  |      |                |
| 400     | 6                 |                      |             | 5050           | 409,6                | 70        | 125   | 264 | 342   | 68,5 | 127 | 68,5 | 245 | 66,0               | PHP 10SPC400TB  |      |                |
| 425     | 7                 |                      |             | 5050           | 434,6                | 70        | 125   | 264 | 369   | 68,5 | 127 | 68,5 | 245 | 70,5               | PHP 10SPC425TB  |      |                |
| 450     | 5                 |                      |             | 5050           | 459,6                | 70        | 125   | 264 | 394   | 68,5 | 127 | 68,5 | 245 | 78,0               | PHP 10SPC450TB  |      |                |
| 475     | 5                 |                      |             | 5050           | 484,6                | 70        | 125   | 264 | 419   | 68,5 | 127 | 68,5 | 245 | 82,0               | PHP 10SPC475TB  |      |                |
| 500     | 5                 |                      |             | 5050           | 509,6                | 70        | 125   | 264 | 444   | 68,5 | 127 | 68,5 | 245 | 95,5               | PHP 10SPC500TB  |      |                |
| 530     | 5                 |                      |             | 5050           | 539,6                | 70        | 125   | 264 | 474   | 68,5 | 127 | 68,5 | 245 | 106,0              | PHP 10SPC530TB  |      |                |
| 560     | 5                 |                      |             | 5050           | 569,6                | 70        | 125   | 264 | 504   | 68,5 | 127 | 68,5 | 245 | 94,7               | PHP 10SPC560TB  |      |                |
| 630     | 5                 |                      |             | 5050           | 639,6                | 70        | 125   | 264 | 574   | 68,5 | 127 | 68,5 | 245 | 113,2              | PHP 10SPC630TB  |      |                |
| 710     | 5                 |                      |             | 5050           | 719,6                | 70        | 125   | 264 | 654   | 68,5 | 127 | 68,5 | 245 | 133,5              | PHP 10SPC710TB  |      |                |
| 800     | 5                 |                      |             | 5050           | 809,6                | 70        | 125   | 264 | 737   | 68,5 | 127 | 68,5 | 245 | 160,5              | PHP 10SPC800TB  |      |                |
| 1 000   | 5                 |                      |             | 5050           | 1 009,6              | 70        | 125   | 264 | 937   | 68,5 | 127 | 68,5 | 245 | 227,5              | PHP 10SPC1000TB |      |                |
| 1 250   | 5                 |                      |             | 5050           | 1 259,6              | 70        | 125   | 264 | 1 187 | 68,5 | 127 | 68,5 | 245 | 300,0              | PHP 10SPC1250TB |      |                |

<sup>1)</sup> Mass does not include bushings.  
Non-functional dimensions may vary slightly.

# Classical V-belt pulleys

A/B taper bushed



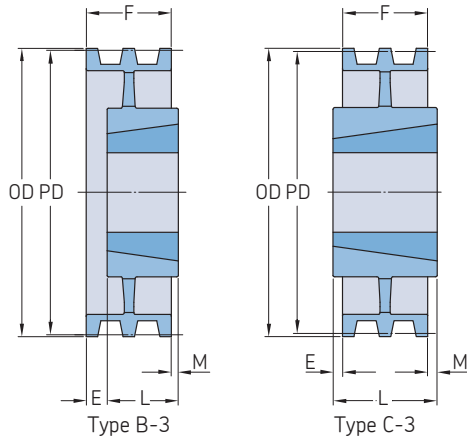
| Section | Number of grooves | Pitch diameter Belt A |      | Belt B |      | Pulley type | Bushing number     | Dimensions        |        |       | F     | E     | L     | M            | Mass <sup>2)</sup> | Designation  |     |             |
|---------|-------------------|-----------------------|------|--------|------|-------------|--------------------|-------------------|--------|-------|-------|-------|-------|--------------|--------------------|--------------|-----|-------------|
|         |                   | PD                    | PD   | PD     | PD   |             |                    | Outer diameter OD | B Min. | Max.  |       |       |       |              |                    |              |     |             |
|         |                   | mm                    | in.  | mm     | in.  |             |                    | mm                |        |       |       |       |       |              |                    |              |     |             |
| A/B     | 1                 | 76,2                  | 3,0  | 86,4   | 3,4  | A-1         | 1210               | 95,3              | 15,88  | 31,75 | 25,40 | -     | 25,40 | -            | 1,0                | PHP 1-B34TB  |     |             |
|         |                   | 81,3                  | 3,2  | 91,4   | 3,6  | A-1         | 1210               | 100,3             | 15,88  | 31,75 | 25,40 | -     | 25,40 | -            | 1,2                | PHP 1-B36TB  |     |             |
|         |                   | 86,4                  | 3,4  | 96,5   | 3,8  | A-1         | 1610               | 105,4             | 12,70  | 41,28 | 25,40 | -     | 25,40 | -            | 1,3                | PHP 1-B38TB  |     |             |
|         |                   | 91,4                  | 3,6  | 101,6  | 4,0  | A-1         | 1610               | 110,5             | 12,70  | 41,28 | 25,40 | -     | 25,40 | -            | 1,4                | PHP 1-B40TB  |     |             |
|         |                   | 96,5                  | 3,8  | 106,7  | 4,2  | A-1         | 1610               | 115,6             | 12,70  | 41,28 | 25,40 | -     | 25,40 | -            | 1,6                | PHP 1-B42TB  |     |             |
|         |                   | 101,6                 | 4,0  | 111,8  | 4,4  | A-1         | 1610               | 120,7             | 12,70  | 41,28 | 25,40 | -     | 25,40 | -            | 1,7                | PHP 1-B44TB  |     |             |
|         |                   | 106,7                 | 4,2  | 116,8  | 4,6  | A-1         | 1610               | 125,7             | 12,70  | 41,28 | 25,40 | -     | 25,40 | -            | 1,8                | PHP 1-B46TB  |     |             |
|         |                   | 111,8                 | 4,4  | 121,9  | 4,8  | A-1         | 1610               | 130,8             | 12,70  | 41,28 | 25,40 | -     | 25,40 | -            | 2,0                | PHP 1-B48TB  |     |             |
|         |                   | 116,8                 | 4,6  | 127,0  | 5,0  | A-1         | 1610               | 135,9             | 12,70  | 41,28 | 25,40 | -     | 25,40 | -            | 2,2                | PHP 1-B50TB  |     |             |
|         |                   | 121,9                 | 4,8  | 132,1  | 5,2  | A-1         | 1610               | 141,0             | 12,70  | 41,28 | 25,40 | -     | 25,40 | -            | 2,3                | PHP 1-B52TB  |     |             |
|         |                   | 127,0                 | 5,0  | 137,2  | 5,4  | A-1         | 1610               | 146,1             | 12,70  | 41,28 | 25,40 | -     | 25,40 | -            | 2,5                | PHP 1-B54TB  |     |             |
|         |                   | 132,1                 | 5,2  | 142,2  | 5,6  | A-1         | 1610               | 151,1             | 12,70  | 41,28 | 25,40 | -     | 25,40 | -            | 2,7                | PHP 1-B56TB  |     |             |
|         |                   | 137,2                 | 5,4  | 147,3  | 5,8  | A-1         | 1610               | 156,2             | 12,70  | 41,28 | 25,40 | -     | 25,40 | -            | 2,9                | PHP 1-B58TB  |     |             |
|         |                   | 142,2                 | 5,6  | 152,4  | 6,0  | A-1         | 1610               | 161,3             | 12,70  | 41,28 | 25,40 | -     | 25,40 | -            | 3,0                | PHP 1-B60TB  |     |             |
|         |                   | 147,3                 | 5,8  | 157,5  | 6,2  | A-1         | 1610               | 166,4             | 12,70  | 41,28 | 25,40 | -     | 25,40 | -            | 3,2                | PHP 1-B62TB  |     |             |
|         |                   | 152,4                 | 6,0  | 162,6  | 6,4  | A-1         | 1610               | 171,5             | 12,70  | 41,28 | 25,40 | -     | 25,40 | -            | 3,6                | PHP 1-B64TB  |     |             |
|         |                   | 157,5                 | 6,2  | 167,6  | 6,6  | A-1         | 1610               | 176,5             | 12,70  | 41,28 | 25,40 | -     | 25,40 | -            | 3,9                | PHP 1-B66TB  |     |             |
|         |                   | 162,6                 | 6,4  | 172,7  | 6,8  | A-1         | 1610               | 181,6             | 12,70  | 41,28 | 25,40 | -     | 25,40 | -            | 4,1                | PHP 1-B68TB  |     |             |
|         |                   | 177,8                 | 7,0  | 188,0  | 7,4  | B-1         | 2517 <sup>1)</sup> | 196,9             | 19,05  | 63,50 | 25,40 | -     | 44,45 | 19,05        | 4,3                | PHP 1-B74TB  |     |             |
|         |                   | 208,3                 | 8,2  | 218,4  | 8,6  | B-2         | 2517 <sup>1)</sup> | 227,3             | 19,05  | 63,50 | 25,40 | -     | 44,45 | 19,05        | 5,4                | PHP 1-B86TB  |     |             |
|         |                   | 228,6                 | 9,0  | 238,8  | 9,4  | B-2         | 2517 <sup>1)</sup> | 247,7             | 19,05  | 63,50 | 25,40 | -     | 44,45 | 19,05        | 6,4                | PHP 1-B94TB  |     |             |
|         |                   | 269,2                 | 10,6 | 279,4  | 11,0 | B-2         | 2517 <sup>1)</sup> | 288,3             | 19,05  | 63,50 | 25,40 | -     | 44,45 | 19,05        | 8,2                | PHP 1-B110TB |     |             |
|         |                   | 304,8                 | 12,0 | 315,0  | 12,4 | C-3         | 2517 <sup>1)</sup> | 323,9             | 19,05  | 63,50 | 25,40 | 6,35  | 44,45 | 12,70        | 8,4                | PHP 1-B124TB |     |             |
|         |                   | 381,0                 | 15,0 | 391,2  | 15,4 | C-3         | 2517 <sup>1)</sup> | 400,1             | 19,05  | 63,50 | 25,40 | 6,35  | 44,45 | 12,70        | 8,6                | PHP 1-B154TB |     |             |
|         |                   | 457,2                 | 18,0 | 467,4  | 18,4 | C-3         | 2517 <sup>1)</sup> | 476,3             | 19,05  | 63,50 | 28,58 | 4,76  | 44,45 | 11,11        | 10,9               | PHP 1-B184TB |     |             |
|         |                   | A/B                   | 2    | 76,2   | 3,0  | 86,4        | 3,4                | A-1               | 1210   | 95,3  | 15,88 | 31,75 | 44,45 | 19,05        | 25,40              | -            | 1,0 | PHP 2-B34TB |
|         |                   |                       |      | 81,3   | 3,2  | 91,4        | 3,6                | A-1               | 1210   | 100,3 | 15,88 | 31,75 | 44,45 | 19,05        | 25,40              | -            | 1,2 | PHP 2-B36TB |
|         |                   |                       |      | 86,4   | 3,4  | 96,5        | 3,8                | A-1               | 1610   | 105,4 | 12,70 | 41,28 | 44,45 | 19,05        | 25,40              | -            | 1,3 | PHP 2-B38TB |
| 91,4    | 3,6               |                       |      | 101,6  | 4,0  | A-1         | 1610               | 110,5             | 12,70  | 41,28 | 44,45 | 19,05 | 25,40 | -            | 1,4                | PHP 2-B40TB  |     |             |
| 96,5    | 3,8               |                       |      | 106,7  | 4,2  | A-1         | 1610               | 115,6             | 12,70  | 41,28 | 44,45 | 19,05 | 25,40 | -            | 1,8                | PHP 2-B42TB  |     |             |
| 101,6   | 4,0               |                       |      | 111,8  | 4,4  | A-1         | 1610               | 120,7             | 12,70  | 41,28 | 44,45 | 19,05 | 25,40 | -            | 2,0                | PHP 2-B44TB  |     |             |
| 106,7   | 4,2               |                       |      | 116,8  | 4,6  | A-1         | 1610               | 125,7             | 12,70  | 41,28 | 44,45 | 19,05 | 25,40 | -            | 2,3                | PHP 2-B46TB  |     |             |
| 111,8   | 4,4               |                       |      | 121,9  | 4,8  | A-1         | 1610               | 130,8             | 12,70  | 41,28 | 44,45 | 19,05 | 25,40 | -            | 2,5                | PHP 2-B48TB  |     |             |
| 116,8   | 4,6               |                       |      | 127,0  | 5,0  | A-1         | 1610               | 135,9             | 12,70  | 41,28 | 44,45 | 19,05 | 25,40 | -            | 2,7                | PHP 2-B50TB  |     |             |
| 121,9   | 4,8               |                       |      | 132,1  | 5,2  | A-1         | 1610               | 141,0             | 12,70  | 41,28 | 44,45 | 19,05 | 25,40 | -            | 3,0                | PHP 2-B52TB  |     |             |
| 127,0   | 5,0               |                       |      | 137,2  | 5,4  | A-1         | 1610               | 146,1             | 12,70  | 41,28 | 44,45 | 19,05 | 25,40 | -            | 3,2                | PHP 2-B54TB  |     |             |
| 132,1   | 5,2               |                       |      | 142,2  | 5,6  | A-1         | 1610               | 151,1             | 12,70  | 41,28 | 44,45 | 19,05 | 25,40 | -            | 3,7                | PHP 2-B56TB  |     |             |
| 137,2   | 5,4               |                       |      | 147,3  | 5,8  | A-1         | 1610               | 156,2             | 12,70  | 41,28 | 44,45 | 19,05 | 25,40 | -            | 3,9                | PHP 2-B58TB  |     |             |
| 142,2   | 5,6               |                       |      | 152,4  | 6,0  | A-1         | 1610               | 161,3             | 12,70  | 41,28 | 44,45 | 19,05 | 25,40 | -            | 4,0                | PHP 2-B60TB  |     |             |
| 147,3   | 5,8               |                       |      | 157,5  | 6,2  | A-1         | 1610               | 166,4             | 12,70  | 41,28 | 44,45 | 19,05 | 25,40 | -            | 4,1                | PHP 2-B62TB  |     |             |
| 152,4   | 6,0               |                       |      | 162,6  | 6,4  | A-1         | 1610               | 171,5             | 12,70  | 41,28 | 44,45 | 19,05 | 25,40 | -            | 4,5                | PHP 2-B64TB  |     |             |
| 157,5   | 6,2               |                       |      | 167,6  | 6,6  | A-1         | 1610               | 176,5             | 12,70  | 41,28 | 44,45 | 19,05 | 25,40 | -            | 4,8                | PHP 2-B66TB  |     |             |
| 162,6   | 6,4               |                       |      | 172,7  | 6,8  | A-1         | 1610               | 181,6             | 12,70  | 41,28 | 44,45 | 19,05 | 25,40 | -            | 5,0                | PHP 2-B68TB  |     |             |
| 177,8   | 7,0               |                       |      | 188,0  | 7,4  | A-1         | 2517 <sup>1)</sup> | 196,9             | 19,05  | 63,50 | 44,45 | -     | 44,45 | -            | 7,3                | PHP 2-B74TB  |     |             |
| 208,3   | 8,2               |                       |      | 218,4  | 8,6  | A-2         | 2517 <sup>1)</sup> | 227,3             | 19,05  | 63,50 | 44,45 | -     | 44,45 | -            | 8,2                | PHP 2-B86TB  |     |             |
| 228,6   | 9,0               |                       |      | 238,8  | 9,4  | A-2         | 2517 <sup>1)</sup> | 247,7             | 19,05  | 63,50 | 44,45 | -     | 44,45 | -            | 9,1                | PHP 2-B94TB  |     |             |
| 269,2   | 10,6              |                       |      | 279,4  | 11,0 | A-2         | 2517 <sup>1)</sup> | 288,3             | 19,05  | 63,50 | 44,45 | -     | 44,45 | -            | 11,3               | PHP 2-B110TB |     |             |
| 304,8   | 12,0              |                       |      | 315,0  | 12,4 | A-3         | 2517 <sup>1)</sup> | 323,9             | 19,05  | 63,50 | 44,45 | -     | 44,45 | -            | 12,3               | PHP 2-B124TB |     |             |
| 381,0   | 15,0              |                       |      | 391,2  | 15,4 | A-3         | 2517 <sup>1)</sup> | 400,1             | 19,05  | 63,50 | 44,45 | -     | 44,45 | -            | 14,1               | PHP 2-B154TB |     |             |
| 457,2   | 18,0              |                       |      | 467,4  | 18,4 | A-3         | 2517 <sup>1)</sup> | 476,3             | 19,05  | 63,50 | 44,45 | -     | 44,45 | -            | 15,0               | PHP 2-B184TB |     |             |
| 497,8   | 19,6              |                       |      | 508,0  | 20,0 | C-3         | 3020               | 516,9             | 31,75  | 76,20 | 44,45 | -     | 50,80 | 6,35         | 22,2               | PHP 2-B200TB |     |             |
| 624,8   | 24,6              |                       |      | 635,0  | 25,0 | C-3         | 3020               | 643,9             | 31,75  | 76,20 | 44,45 | -     | 50,80 | 6,35         | 29,5               | PHP 2-B250TB |     |             |
| 751,8   | 29,6              |                       |      | 762,0  | 30,0 | C-3         | 3020               | 770,9             | 31,75  | 76,20 | 44,45 | -     | 50,80 | 6,35         | 34,0               | PHP 2-B300TB |     |             |
| 955,0   | 37,6              | 965,2                 | 38,0 | C-3    | 3020 | 974,1       | 31,75              | 76,20             | 44,45  | -     | 50,80 | 6,35  | 50,8  | PHP 2-B380TB |                    |              |     |             |

<sup>1)</sup> Taper bushing needs to conform to coarse thread series (UNC) of the ASME/ANSI standard. To complete designation, add U before bushing number and bore size at the end of designation, e.g. PHF TBU3535X70MM.

<sup>2)</sup> Mass does not include bushings.

# Classical V-belt pulleys

A/B taper bushed



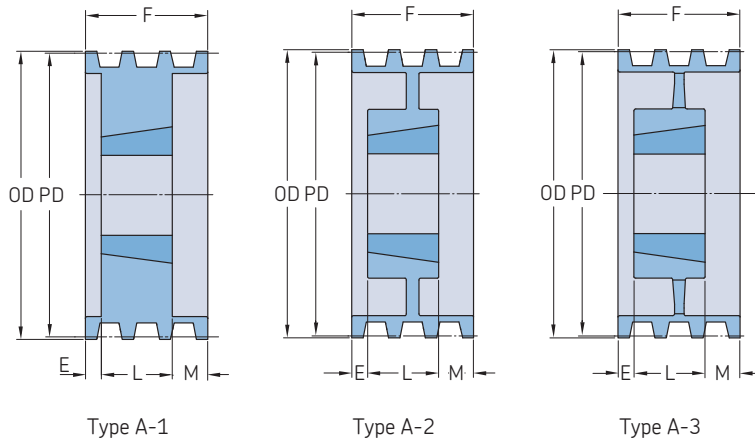
| Section | Number of grooves | Pitch diameter Belt A |      | Belt B |      | Pulley type | Bushing number     | Dimensions        |        |       |       | Mass <sup>2)</sup> | Designation |       |       |              |
|---------|-------------------|-----------------------|------|--------|------|-------------|--------------------|-------------------|--------|-------|-------|--------------------|-------------|-------|-------|--------------|
|         |                   | PD                    | PD   | PD     | PD   |             |                    | Outer diameter OD | B Min. | Max.  | F     |                    |             | E     | L     | M            |
|         |                   | mm                    | in.  | mm     | in.  | mm          |                    |                   |        |       |       | kg                 |             |       |       |              |
| A/B     | 3                 | 76,2                  | 3.0  | 86,4   | 3,4  | A-1         | 1210               | 95,3              | 15,88  | 31,75 | 63,50 | 38,10              | 25,40       | -     | 1,4   | PHP 3-B34TB  |
|         |                   | 81,3                  | 3,2  | 91,4   | 3,6  | A-1         | 1210               | 100,3             | 15,88  | 31,75 | 63,50 | 38,10              | 25,40       | -     | 1,6   | PHP 3-B36TB  |
|         |                   | 86,4                  | 3,4  | 96,5   | 3,8  | A-1         | 1610               | 105,4             | 12,70  | 41,28 | 63,50 | 38,10              | 25,40       | -     | 1,8   | PHP 3-B38TB  |
|         |                   | 91,4                  | 3,6  | 101,6  | 4,0  | A-1         | 1610               | 110,5             | 12,70  | 41,28 | 63,50 | 38,10              | 25,40       | -     | 2,3   | PHP 3-B40TB  |
|         |                   | 96,5                  | 3,8  | 106,7  | 4,2  | A-1         | 1610               | 115,6             | 12,70  | 41,28 | 63,50 | 38,10              | 25,40       | -     | 2,7   | PHP 3-B42TB  |
|         |                   | 101,6                 | 4,0  | 111,8  | 4,4  | A-1         | 1610               | 120,7             | 12,70  | 41,28 | 63,50 | 38,10              | 25,40       | -     | 3,0   | PHP 3-B44TB  |
|         |                   | 106,7                 | 4,2  | 116,8  | 4,6  | A-1         | 1610               | 125,7             | 12,70  | 41,28 | 63,50 | 38,10              | 25,40       | -     | 3,2   | PHP 3-B46TB  |
|         |                   | 111,8                 | 4,4  | 121,9  | 4,8  | A-1         | 1610               | 130,8             | 12,70  | 41,28 | 63,50 | 38,10              | 25,40       | -     | 3,6   | PHP 3-B48TB  |
|         |                   | 116,8                 | 4,6  | 127,0  | 5,0  | A-1         | 1610               | 135,9             | 12,70  | 41,28 | 63,50 | 38,10              | 25,40       | -     | 3,9   | PHP 3-B50TB  |
|         |                   | 121,9                 | 4,8  | 132,1  | 5,2  | A-1         | 1610               | 141,0             | 12,70  | 41,28 | 63,50 | 38,10              | 25,40       | -     | 4,1   | PHP 3-B52TB  |
|         |                   | 127,0                 | 5,0  | 137,2  | 5,4  | A-1         | 2517 <sup>1)</sup> | 146,1             | 19,05  | 63,50 | 63,50 | 38,10              | 44,45       | -     | 4,3   | PHP 3-B54TB  |
|         |                   | 132,1                 | 5,2  | 142,2  | 5,6  | A-1         | 2517 <sup>1)</sup> | 151,1             | 19,05  | 63,50 | 63,50 | 38,10              | 44,45       | -     | 4,5   | PHP 3-B56TB  |
|         |                   | 137,2                 | 5,4  | 147,3  | 5,8  | A-1         | 2517 <sup>1)</sup> | 156,2             | 19,05  | 63,50 | 63,50 | 19,05              | 44,45       | -     | 4,8   | PHP 3-B58TB  |
|         |                   | 142,2                 | 5,6  | 152,4  | 6,0  | A-1         | 2517 <sup>1)</sup> | 161,3             | 19,05  | 63,50 | 63,50 | 19,05              | 44,45       | -     | 5,0   | PHP 3-B60TB  |
|         |                   | 147,3                 | 5,8  | 157,5  | 6,2  | A-1         | 2517 <sup>1)</sup> | 166,4             | 19,05  | 63,50 | 63,50 | 19,05              | 44,45       | -     | 5,2   | PHP 3-B62TB  |
|         |                   | 152,4                 | 6,0  | 162,6  | 6,4  | A-1         | 2517 <sup>1)</sup> | 171,5             | 19,05  | 63,50 | 63,50 | 19,05              | 44,45       | -     | 5,4   | PHP 3-B64TB  |
|         |                   | 157,5                 | 6,2  | 167,6  | 6,6  | A-1         | 2517 <sup>1)</sup> | 176,5             | 19,05  | 63,50 | 63,50 | 19,05              | 44,45       | -     | 5,6   | PHP 3-B66TB  |
|         |                   | 162,6                 | 6,4  | 172,7  | 6,8  | A-1         | 2517 <sup>1)</sup> | 181,6             | 19,05  | 63,50 | 63,50 | 19,05              | 44,45       | -     | 5,8   | PHP 3-B68TB  |
|         |                   | 177,8                 | 7,0  | 188,0  | 7,4  | A-1         | 2517 <sup>1)</sup> | 196,9             | 19,05  | 63,50 | 63,50 | 19,05              | 44,45       | -     | 7,3   | PHP 3-B74TB  |
|         |                   | 208,3                 | 8,2  | 218,4  | 8,6  | A-2         | 2517 <sup>1)</sup> | 227,3             | 19,05  | 63,50 | 63,50 | 19,05              | 44,45       | -     | 8,6   | PHP 3-B86TB  |
|         |                   | 228,6                 | 9,0  | 238,8  | 9,4  | A-2         | 2517 <sup>1)</sup> | 247,7             | 19,05  | 63,50 | 63,50 | 19,05              | 44,45       | -     | 9,5   | PHP 3-B94TB  |
|         |                   | 269,2                 | 10,6 | 279,4  | 11,0 | A-2         | 2517 <sup>1)</sup> | 288,3             | 19,05  | 63,50 | 63,50 | 19,05              | 44,45       | -     | 10,9  | PHP 3-B110TB |
|         |                   | 304,8                 | 12,0 | 315,0  | 12,4 | A-3         | 2517 <sup>1)</sup> | 323,9             | 19,05  | 63,50 | 63,50 | -                  | 44,45       | 19,05 | 12,7  | PHP 3-B124TB |
|         |                   | 381,0                 | 15,0 | 391,2  | 15,4 | A-3         | 2517 <sup>1)</sup> | 400,1             | 19,05  | 63,50 | 63,50 | -                  | 44,45       | 19,05 | 13,6  | PHP 3-B154TB |
|         |                   | 457,2                 | 18,0 | 467,4  | 18,4 | A-3         | 2517 <sup>1)</sup> | 476,3             | 19,05  | 63,50 | 63,50 | -                  | 44,45       | 19,05 | 20,0  | PHP 3-B184TB |
|         |                   | 497,8                 | 19,6 | 508,0  | 20,0 | A-3         | 3020               | 516,9             | 31,75  | 76,20 | 63,50 | -                  | 50,80       | 12,70 | 26,3  | PHP 3-B200TB |
|         |                   | 624,8                 | 24,6 | 635,0  | 25,0 | A-3         | 3020               | 643,9             | 31,75  | 76,20 | 63,50 | -                  | 50,80       | 12,70 | 33,6  | PHP 3-B250TB |
|         |                   | 751,8                 | 29,6 | 762,0  | 30,0 | A-3         | 3020               | 770,9             | 31,75  | 76,20 | 63,50 | -                  | 50,80       | 12,70 | 38,1  | PHP 3-B300TB |
|         |                   | 955,0                 | 37,6 | 965,2  | 38,0 | B-3         | 3020               | 974,1             | 31,75  | 76,20 | 63,50 | -                  | 76,20       | 12,70 | 61,2  | PHP 3-B380TB |
|         |                   | A/B                   | 4    | 76,2   | 3,0  | 86,4        | 3,4                | A-1               | 1210   | 95,3  | 15,88 | 31,75              | 82,55       | 57,15 | 25,40 | -            |
| 81,3    | 3,2               |                       |      | 91,4   | 3,6  | A-1         | 1210               | 100,3             | 15,88  | 31,75 | 82,55 | 57,15              | 25,40       | -     | 1,6   | PHP 4-B36TB  |
| 86,4    | 3,4               |                       |      | 96,5   | 3,8  | A-1         | 1610               | 105,4             | 12,70  | 41,28 | 82,55 | 57,15              | 25,40       | -     | 1,8   | PHP 4-B38TB  |
| 91,4    | 3,6               |                       |      | 101,6  | 4,0  | A-1         | 1610               | 110,5             | 12,70  | 41,28 | 82,55 | 57,15              | 25,40       | -     | 2,3   | PHP 4-B40TB  |
| 96,5    | 3,8               |                       |      | 106,7  | 4,2  | A-1         | 1610               | 115,6             | 12,70  | 41,28 | 82,55 | 57,15              | 25,40       | -     | 2,5   | PHP 4-B42TB  |
| 101,6   | 4,0               |                       |      | 111,8  | 4,4  | A-1         | 1610               | 120,7             | 12,70  | 41,28 | 82,55 | 57,15              | 25,40       | -     | 2,7   | PHP 4-B44TB  |
| 106,7   | 4,2               |                       |      | 116,8  | 4,6  | A-1         | 1610               | 125,7             | 12,70  | 41,28 | 82,55 | 57,15              | 25,40       | -     | 3,2   | PHP 4-B46TB  |
| 111,8   | 4,4               |                       |      | 121,9  | 4,8  | A-1         | 1610               | 130,8             | 12,70  | 41,28 | 82,55 | 57,15              | 25,40       | -     | 3,6   | PHP 4-B48TB  |
| 116,8   | 4,6               |                       |      | 127,0  | 5,0  | A-1         | 2517 <sup>1)</sup> | 135,9             | 19,05  | 63,50 | 82,55 | 38,10              | 44,45       | -     | 3,9   | PHP 4-B50TB  |
| 121,9   | 4,8               |                       |      | 132,1  | 5,2  | A-1         | 2517 <sup>1)</sup> | 141,0             | 19,05  | 63,50 | 82,55 | 38,10              | 44,45       | -     | 4,1   | PHP 4-B52TB  |
| 127,0   | 5,0               |                       |      | 137,2  | 5,4  | A-1         | 2517 <sup>1)</sup> | 146,1             | 19,05  | 63,50 | 82,55 | 38,10              | 44,45       | -     | 4,3   | PHP 4-B54TB  |
| 132,1   | 5,2               |                       |      | 142,2  | 5,6  | A-1         | 2517 <sup>1)</sup> | 151,1             | 19,05  | 63,50 | 82,55 | 38,10              | 44,45       | -     | 4,5   | PHP 4-B56TB  |
| 137,2   | 5,4               |                       |      | 147,3  | 5,8  | A-1         | 2517 <sup>1)</sup> | 156,2             | 19,05  | 63,50 | 82,55 | 38,10              | 44,45       | -     | 5,4   | PHP 4-B58TB  |
| 142,2   | 5,6               |                       |      | 152,4  | 6,0  | A-1         | 2517 <sup>1)</sup> | 161,3             | 19,05  | 63,50 | 82,55 | 38,10              | 44,45       | -     | 5,7   | PHP 4-B60TB  |
| 147,3   | 5,8               |                       |      | 157,5  | 6,2  | A-1         | 2517 <sup>1)</sup> | 166,4             | 19,05  | 63,50 | 82,55 | 38,10              | 44,45       | -     | 5,9   | PHP 4-B62TB  |
| 152,4   | 6,0               |                       |      | 162,6  | 6,4  | A-1         | 2517 <sup>1)</sup> | 171,5             | 19,05  | 63,50 | 82,55 | 38,10              | 44,45       | -     | 6,4   | PHP 4-B64TB  |
| 157,5   | 6,2               |                       |      | 167,6  | 6,6  | A-1         | 2517 <sup>1)</sup> | 176,5             | 19,05  | 63,50 | 82,55 | 38,10              | 44,45       | -     | 6,8   | PHP 4-B66TB  |
| 162,6   | 6,4               |                       |      | 172,7  | 6,8  | A-1         | 2517 <sup>1)</sup> | 181,6             | 19,05  | 63,50 | 82,55 | 38,10              | 44,45       | -     | 7,3   | PHP 4-B68TB  |
| 177,8   | 7,0               |                       |      | 188,0  | 7,4  | A-1         | 2517 <sup>1)</sup> | 196,9             | 19,05  | 63,50 | 82,55 | 38,10              | 44,45       | -     | 9,1   | PHP 4-B74TB  |
| 208,3   | 8,2               |                       |      | 218,4  | 8,6  | A-2         | 2517 <sup>1)</sup> | 227,3             | 19,05  | 63,50 | 82,55 | 38,10              | 44,45       | -     | 9,5   | PHP 4-B86TB  |
| 228,6   | 9,0               |                       |      | 238,8  | 9,4  | A-2         | 2517 <sup>1)</sup> | 247,7             | 19,05  | 63,50 | 82,55 | 38,10              | 44,45       | -     | 10,4  | PHP 4-B94TB  |
| 269,2   | 10,6              |                       |      | 279,4  | 11,0 | A-2         | 2517 <sup>1)</sup> | 288,3             | 19,05  | 63,50 | 82,55 | 38,10              | 44,45       | -     | 12,7  | PHP 4-B110TB |
| 304,8   | 12,0              |                       |      | 315,0  | 12,4 | A-3         | 2517 <sup>1)</sup> | 323,9             | 19,05  | 63,50 | 82,55 | 9,53               | 44,45       | 28,58 | 15,4  | PHP 4-B124TB |
| 381,0   | 15,0              |                       |      | 391,2  | 15,4 | A-3         | 2517 <sup>1)</sup> | 400,1             | 19,05  | 63,50 | 82,55 | 9,53               | 44,45       | 28,58 | 19,1  | PHP 4-B154TB |
| 457,2   | 18,0              |                       |      | 467,4  | 18,4 | A-3         | 2517 <sup>1)</sup> | 476,3             | 19,05  | 63,50 | 82,55 | 12,70              | 44,45       | 25,40 | 24,0  | PHP 4-B184TB |

<sup>1)</sup> Taper bushing needs to conform to coarse thread series (UNC) of the ASME/ANSI standard. To complete designation, add U before bushing number and bore size at the end of designation, e.g. PHF TBU3535X70MM.

<sup>2)</sup> Mass does not include bushings.

# Classical V-belt pulleys

A/B taper bushed



| Section | Number of grooves | Pitch diameter Belt A |      | Belt B |      | Pulley type | Bushing number     | Dimensions        |                    |       |        | Mass <sup>2)</sup> | Designation |              |       |              |     |             |
|---------|-------------------|-----------------------|------|--------|------|-------------|--------------------|-------------------|--------------------|-------|--------|--------------------|-------------|--------------|-------|--------------|-----|-------------|
|         |                   | PD                    | PD   | PD     | PD   |             |                    | Outer diameter OD | B Min.             | Max.  | F      |                    |             | E            | L     | M            |     |             |
|         |                   | mm                    | in.  | mm     | in.  | mm          |                    |                   |                    |       |        | kg                 |             |              |       |              |     |             |
| A/B     | 4                 | 497,8                 | 19,6 | 508,0  | 20,0 | A-3         | 3020               | 516,9             | 31,75              | 76,20 | 82,55  | 12,70              | 50,80       | 19,05        | 28,6  | PHP 4-B200TB |     |             |
|         |                   | 624,8                 | 24,6 | 635,0  | 25,0 | A-3         | 3030               | 643,9             | 31,75              | 76,20 | 82,55  | -                  | 76,20       | 31,75        | 36,3  | PHP 4-B250TB |     |             |
|         |                   | 751,8                 | 29,6 | 762,0  | 30,0 | A-3         | 3030               | 770,9             | 31,75              | 76,20 | 82,55  | -                  | 76,20       | 31,75        | 45,4  | PHP 4-B300TB |     |             |
|         |                   | 955,0                 | 37,6 | 965,2  | 38,0 | A-3         | 3030               | 974,1             | 31,75              | 76,20 | 82,55  | -                  | 76,20       | 31,75        | 64,4  | PHP 4-B380TB |     |             |
| A/B     | 5                 | 76,2                  | 3,0  | 86,4   | 3,4  | A-1         | 1210               | 95,3              | 15,88              | 31,75 | 101,60 | 63,50              | 38,10       | -            | 2,3   | PHP 5-B34TB  |     |             |
|         |                   | 81,3                  | 3,2  | 91,4   | 3,6  | A-1         | 1210               | 100,3             | 15,88              | 31,75 | 101,60 | 63,50              | 38,10       | -            | 2,5   | PHP 5-B36TB  |     |             |
|         |                   | 86,4                  | 3,4  | 96,5   | 3,8  | A-1         | 1215               | 105,4             | 15,88              | 41,28 | 101,60 | 63,50              | 38,10       | -            | 2,7   | PHP 5-B38TB  |     |             |
|         |                   | 91,4                  | 3,6  | 101,6  | 4,0  | A-1         | 1215               | 110,5             | 15,88              | 41,28 | 101,60 | 63,50              | 38,10       | -            | 3,0   | PHP 5-B40TB  |     |             |
|         |                   | 96,5                  | 3,8  | 106,7  | 4,2  | A-1         | 1615               | 115,6             | 12,70              | 41,28 | 101,60 | 63,50              | 38,10       | -            | 3,2   | PHP 5-B42TB  |     |             |
|         |                   | 101,6                 | 4,0  | 111,8  | 4,4  | A-1         | 1615               | 120,7             | 12,70              | 41,28 | 101,60 | 63,50              | 38,10       | -            | 3,6   | PHP 5-B44TB  |     |             |
|         |                   | 106,7                 | 4,2  | 116,8  | 4,6  | A-1         | 1615               | 125,7             | 12,70              | 41,28 | 101,60 | 63,50              | 38,10       | -            | 4,1   | PHP 5-B46TB  |     |             |
|         |                   | 116,8                 | 4,6  | 127,0  | 5,0  | A-1         | 1615               | 135,9             | 12,70              | 41,28 | 101,60 | 22,23              | 38,10       | -            | 4,8   | PHP 5-B50TB  |     |             |
|         |                   | 121,9                 | 4,8  | 132,1  | 5,2  | A-1         | 1615               | 141,0             | 12,70              | 41,28 | 101,60 | 22,23              | 38,10       | -            | 5,1   | PHP 5-B52TB  |     |             |
|         |                   | 127,0                 | 5,0  | 137,2  | 5,4  | A-1         | 2517 <sup>1)</sup> | 146,1             | 19,05              | 63,50 | 101,60 | 57,15              | 44,45       | -            | 5,2   | PHP 5-B54TB  |     |             |
|         |                   | 132,1                 | 5,2  | 142,2  | 5,6  | A-1         | 2517 <sup>1)</sup> | 151,1             | 19,05              | 63,50 | 101,60 | 57,15              | 44,45       | -            | 5,4   | PHP 5-B56TB  |     |             |
|         |                   | 142,2                 | 5,6  | 152,4  | 6,0  | A-1         | 2517 <sup>1)</sup> | 161,3             | 19,05              | 63,50 | 101,60 | 57,15              | 44,45       | -            | 6,4   | PHP 5-B60TB  |     |             |
|         |                   | 152,4                 | 6,0  | 162,6  | 6,4  | A-1         | 2517 <sup>1)</sup> | 171,5             | 19,05              | 63,50 | 101,60 | 57,15              | 44,45       | -            | 7,3   | PHP 5-B64TB  |     |             |
|         |                   | 162,6                 | 6,4  | 172,7  | 6,8  | A-1         | 2517 <sup>1)</sup> | 181,6             | 19,05              | 63,50 | 101,60 | 57,15              | 44,45       | -            | 8,2   | PHP 5-B68TB  |     |             |
|         |                   | 177,8                 | 7,0  | 188,0  | 7,4  | A-1         | 2517 <sup>1)</sup> | 196,9             | 19,05              | 63,50 | 101,60 | 57,15              | 44,45       | -            | 10,0  | PHP 5-B74TB  |     |             |
|         |                   | 208,3                 | 8,2  | 218,4  | 8,6  | A-2         | 2517 <sup>1)</sup> | 227,3             | 19,05              | 63,50 | 101,60 | 57,15              | 44,45       | -            | 10,9  | PHP 5-B86TB  |     |             |
|         |                   | 228,6                 | 9,0  | 238,8  | 9,4  | A-2         | 2517 <sup>1)</sup> | 247,7             | 19,05              | 63,50 | 101,60 | 57,15              | 44,45       | -            | 11,8  | PHP 5-B94TB  |     |             |
|         |                   | 269,2                 | 10,6 | 279,4  | 11,0 | A-2         | 2517 <sup>1)</sup> | 288,3             | 19,05              | 63,50 | 101,60 | 57,15              | 44,45       | -            | 15,9  | PHP 5-B110TB |     |             |
|         |                   | 304,8                 | 12,0 | 315,0  | 12,4 | A-3         | 2517 <sup>1)</sup> | 323,9             | 19,05              | 63,50 | 101,60 | 19,05              | 44,45       | 38,10        | 18,1  | PHP 5-B124TB |     |             |
|         |                   | 381,0                 | 15,0 | 391,2  | 15,4 | A-3         | 2517 <sup>1)</sup> | 400,1             | 19,05              | 63,50 | 101,60 | 19,05              | 44,45       | 38,10        | 21,3  | PHP 5-B154TB |     |             |
|         |                   | 457,2                 | 18,0 | 467,4  | 18,4 | A-3         | 2517 <sup>1)</sup> | 476,3             | 19,05              | 63,50 | 101,60 | 19,05              | 44,45       | 38,10        | 23,6  | PHP 5-B184TB |     |             |
|         |                   | 497,8                 | 19,6 | 508,0  | 20,0 | A-3         | 3030               | 516,9             | 31,75              | 76,20 | 101,60 | 6,35               | 76,20       | 19,05        | 34,0  | PHP 5-B200TB |     |             |
|         |                   | 624,8                 | 24,6 | 635,0  | 25,0 | A-3         | 3030               | 643,9             | 31,75              | 76,20 | 101,60 | 6,35               | 76,20       | 19,05        | 36,7  | PHP 5-B250TB |     |             |
|         |                   | 751,8                 | 29,6 | 762,0  | 30,0 | A-3         | 3030               | 770,9             | 31,75              | 76,20 | 101,60 | 6,35               | 76,20       | 19,05        | 49,4  | PHP 5-B300TB |     |             |
| 955,0   | 37,6              | 965,2                 | 38,0 | A-3    | 3030 | 974,1       | 31,75              | 76,20             | 101,60             | 6,35  | 76,20  | 19,05              | 71,7        | PHP 5-B380TB |       |              |     |             |
| A/B     | 6                 | 96,5                  | 3,8  | 106,7  | 4,2  | A-1         | 1615               | 115,6             | 12,70              | 41,28 | 120,65 | 82,55              | 38,10       | -            | 3,6   | PHP 6-B42TB  |     |             |
|         |                   | 101,6                 | 4,0  | 111,8  | 4,4  | A-1         | 1615               | 120,7             | 12,70              | 41,28 | 120,65 | 82,55              | 38,10       | -            | 4,1   | PHP 6-B44TB  |     |             |
|         |                   | 106,7                 | 4,2  | 116,8  | 4,6  | A-1         | 1615               | 125,7             | 12,70              | 41,28 | 120,65 | 82,55              | 38,10       | -            | 4,5   | PHP 6-B46TB  |     |             |
|         |                   | 116,8                 | 4,6  | 127,0  | 5,0  | A-1         | 1615               | 135,9             | 12,70              | 41,28 | 120,65 | 31,75              | 38,10       | 50,80        | 5,4   | PHP 6-B50TB  |     |             |
|         |                   | 121,9                 | 4,8  | 132,1  | 5,2  | A-1         | 1615               | 141,0             | 12,70              | 41,28 | 120,65 | 31,75              | 38,10       | 50,80        | 5,8   | PHP 6-B52TB  |     |             |
|         |                   | 127,0                 | 5,0  | 137,2  | 5,4  | A-1         | 1615               | 146,1             | 12,70              | 41,28 | 120,65 | 31,75              | 38,10       | 50,80        | 6,2   | PHP 6-B54TB  |     |             |
|         |                   | 132,1                 | 5,2  | 142,2  | 5,6  | A-1         | 1615               | 151,1             | 12,70              | 41,28 | 120,65 | 31,75              | 38,10       | 50,80        | 6,6   | PHP 6-B56TB  |     |             |
|         |                   | 142,2                 | 5,6  | 152,4  | 6,0  | A-1         | 2517 <sup>1)</sup> | 161,3             | 19,05              | 63,50 | 120,65 | 76,20              | 44,45       | -            | 7,3   | PHP 6-B60TB  |     |             |
|         |                   | 152,4                 | 6,0  | 162,6  | 6,4  | A-1         | 2517 <sup>1)</sup> | 171,5             | 19,05              | 63,50 | 120,65 | 76,20              | 44,45       | -            | 8,9   | PHP 6-B64TB  |     |             |
|         |                   | 162,6                 | 6,4  | 172,7  | 6,8  | A-1         | 2517 <sup>1)</sup> | 181,6             | 19,05              | 63,50 | 120,65 | 76,20              | 44,45       | -            | 9,5   | PHP 6-B68TB  |     |             |
|         |                   | 177,8                 | 7,0  | 188,0  | 7,4  | A-1         | 2517 <sup>1)</sup> | 196,9             | 19,05              | 63,50 | 120,65 | 76,20              | 44,45       | -            | 11,3  | PHP 6-B74TB  |     |             |
|         |                   | 208,3                 | 8,2  | 218,4  | 8,6  | A-2         | 2517 <sup>1)</sup> | 227,3             | 19,05              | 63,50 | 120,65 | 76,20              | 44,45       | -            | 12,3  | PHP 6-B86TB  |     |             |
|         |                   | 228,6                 | 9,0  | 238,8  | 9,4  | A-2         | 2517 <sup>1)</sup> | 247,7             | 19,05              | 63,50 | 120,65 | 76,20              | 44,45       | -            | 12,7  | PHP 6-B94TB  |     |             |
|         |                   | 269,2                 | 10,6 | 279,4  | 11,0 | A-2         | 2517 <sup>1)</sup> | 288,3             | 19,05              | 63,50 | 120,65 | 76,20              | 44,45       | -            | 15,4  | PHP 6-B110TB |     |             |
|         |                   | 304,8                 | 12,0 | 315,0  | 12,4 | A-3         | 2517 <sup>1)</sup> | 323,9             | 19,05              | 63,50 | 120,65 | 28,58              | 44,45       | 47,63        | 19,5  | PHP 6-B124TB |     |             |
|         |                   | 381,0                 | 15,0 | 391,2  | 15,4 | A-3         | 2517 <sup>1)</sup> | 400,1             | 19,05              | 63,50 | 120,65 | 38,10              | 44,45       | 38,10        | 23,6  | PHP 6-B154TB |     |             |
|         |                   | 457,2                 | 18,0 | 467,4  | 18,4 | A-3         | 2517 <sup>1)</sup> | 476,3             | 19,05              | 63,50 | 120,65 | 38,10              | 44,45       | 38,10        | 28,1  | PHP 6-B184TB |     |             |
|         |                   | 497,8                 | 19,6 | 508,0  | 20,0 | A-3         | 3030               | 516,9             | 31,75              | 76,20 | 120,65 | 12,70              | 76,20       | 31,75        | 38,6  | PHP 6-B200TB |     |             |
|         |                   | 624,8                 | 24,6 | 635,0  | 25,0 | A-3         | 3030               | 643,9             | 31,75              | 76,20 | 120,65 | 12,70              | 76,20       | 31,75        | 45,4  | PHP 6-B250TB |     |             |
|         |                   | 751,8                 | 29,6 | 762,0  | 30,0 | A-3         | 3030               | 770,9             | 31,75              | 76,20 | 120,65 | 12,70              | 76,20       | 31,75        | 58,6  | PHP 6-B300TB |     |             |
|         |                   | 955,0                 | 37,6 | 965,2  | 38,0 | A-3         | 3030               | 974,1             | 31,75              | 76,20 | 120,65 | 12,70              | 76,20       | 31,75        | 76,2  | PHP 6-B380TB |     |             |
|         |                   | A/B                   | 8    | 127,0  | 5,0  | 137,2       | 5,4                | A-1               | 2517 <sup>1)</sup> | 146,1 | 19,05  | 63,50              | 158,75      | 47,63        | 44,45 | 66,68        | 7,3 | PHP 8-B54TB |
|         |                   |                       |      | 132,1  | 5,2  | 142,2       | 5,6                | A-1               | 2517 <sup>1)</sup> | 151,1 | 19,05  | 63,50              | 158,75      | 47,63        | 44,45 | 66,68        | 7,7 | PHP 8-B56TB |
|         |                   |                       |      | 142,2  | 5,6  | 152,4       | 6,0                | A-1               | 2517 <sup>1)</sup> | 161,3 | 19,05  | 63,50              | 158,75      | 47,63        | 44,45 | 66,68        | 8,6 | PHP 8-B60TB |

<sup>1)</sup> Taper bushing needs to conform to coarse thread series (UNC) of the ASME/ANSI standard. To complete designation, add U before bushing number and bore size at the end of designation, e.g. PHF TBU3535X70MM.

<sup>2)</sup> Mass does not include bushings.

# Classical V-belt pulleys

A/B taper bushed

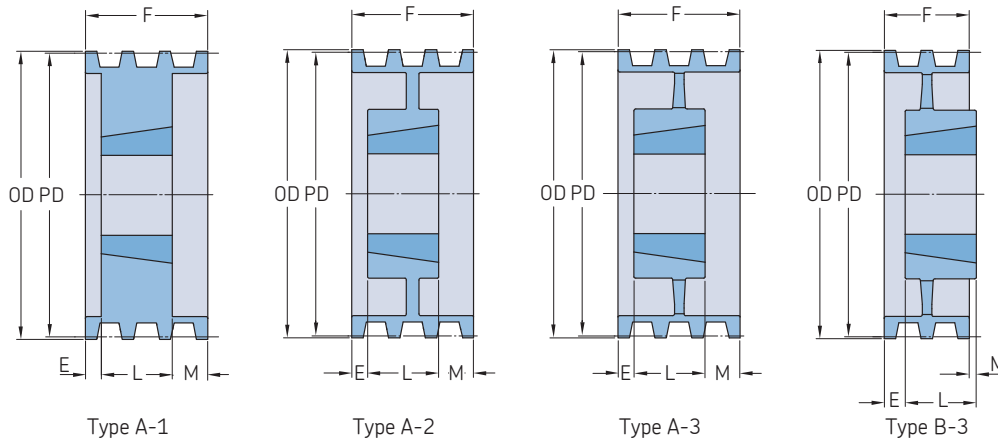
| Section | Number of grooves | Pitch diameter Belt A |      | Belt B |      | Pulley type | Bushing number     | Dimensions        |                    |        |        |       | Mass <sup>2)</sup> | Designation |       |               |      |              |
|---------|-------------------|-----------------------|------|--------|------|-------------|--------------------|-------------------|--------------------|--------|--------|-------|--------------------|-------------|-------|---------------|------|--------------|
|         |                   | PD                    | PD   | PD     | PD   |             |                    | Outer diameter OD | B Min.             | Max.   | F      | E     |                    |             | L     | M             |      |              |
| –       | –                 | mm                    | in.  | mm     | in.  |             |                    | mm                |                    |        |        |       |                    | kg          |       |               |      |              |
| A/B     | 8                 | 152,4                 | 6,0  | 162,6  | 6,4  | A-1         | 2517 <sup>1)</sup> | 171,5             | 19,05              | 63,50  | 158,75 | 47,63 | 44,45              | 66,68       | 9,5   | PHP 8-B64TB   |      |              |
|         |                   | 162,6                 | 6,4  | 172,7  | 6,8  | A-1         | 2517 <sup>1)</sup> | 181,6             | 19,05              | 63,50  | 158,75 | 47,63 | 44,45              | 66,68       | 11,3  | PHP 8-B68TB   |      |              |
|         |                   | 177,8                 | 7,0  | 188,0  | 7,4  | A-1         | 2517 <sup>1)</sup> | 196,9             | 19,05              | 63,50  | 158,75 | 47,63 | 44,45              | 66,68       | 13,2  | PHP 8-B74TB   |      |              |
|         |                   | 208,3                 | 8,2  | 218,4  | 8,6  | A-1         | 3030               | 227,3             | 31,75              | 76,20  | 158,75 | 25,40 | 76,20              | 57,15       | 16,8  | PHP 8-B86TB   |      |              |
|         |                   | 228,6                 | 9,0  | 238,8  | 9,4  | A-2         | 3030               | 252,7             | 31,75              | 76,20  | 158,75 | 25,40 | 76,20              | 57,15       | 18,6  | PHP 8-B94TB   |      |              |
|         |                   | 269,2                 | 10,6 | 279,4  | 11,0 | A-2         | 3030               | 288,3             | 31,75              | 76,20  | 158,75 | 25,40 | 76,20              | 57,15       | 23,1  | PHP 8-B110TB  |      |              |
|         |                   | 304,8                 | 12,0 | 315,0  | 12,4 | A-3         | 3030               | 323,9             | 31,75              | 76,20  | 158,75 | 25,40 | 76,20              | 57,15       | 25,4  | PHP 8-B124TB  |      |              |
|         |                   | 381,0                 | 15,0 | 391,2  | 15,4 | A-3         | 3030               | 400,1             | 31,75              | 76,20  | 158,75 | 25,40 | 76,20              | 57,15       | 31,3  | PHP 8-B154TB  |      |              |
|         |                   | 457,2                 | 18,0 | 467,4  | 18,4 | A-3         | 3030               | 476,3             | 31,75              | 76,20  | 158,75 | 25,40 | 76,20              | 57,15       | 44,9  | PHP 8-B184TB  |      |              |
|         |                   | 497,8                 | 19,6 | 508,0  | 20,0 | A-3         | 3030               | 516,9             | 31,75              | 76,20  | 158,75 | 25,40 | 76,20              | 57,15       | 52,2  | PHP 8-B200TB  |      |              |
|         |                   | 624,8                 | 24,6 | 635,0  | 25,0 | A-3         | 3535 <sup>1)</sup> | 643,9             | 50,80              | 88,90  | 158,75 | 19,05 | 88,90              | 50,80       | 65,8  | PHP 8-B250TB  |      |              |
|         |                   | 751,8                 | 29,6 | 762,0  | 30,0 | A-3         | 3535 <sup>1)</sup> | 770,9             | 50,80              | 88,90  | 158,75 | 19,05 | 88,90              | 50,80       | 77,1  | PHP 8-B300TB  |      |              |
|         |                   | 955,0                 | 37,6 | 965,2  | 38,0 | A-3         | 4040               | 974,1             | 44,45              | 101,60 | 158,75 | 28,58 | 101,60             | 28,58       | 117,9 | PHP 8-B380TB  |      |              |
|         |                   | A/B                   | 10   | 127,0  | 5,0  | 137,2       | 5,4                | A-1               | 2517 <sup>1)</sup> | 146,1  | 19,05  | 63,50 | 196,85             | 76,20       | 44,45 | 76,20         | 8,2  | PHP 10-B54TB |
|         |                   |                       |      | 132,1  | 5,2  | 142,2       | 5,6                | A-1               | 2517 <sup>1)</sup> | 151,1  | 19,05  | 63,50 | 196,85             | 76,20       | 44,45 | 76,20         | 9,1  | PHP 10-B56TB |
|         |                   |                       |      | 142,2  | 5,6  | 152,4       | 6,0                | A-1               | 2517 <sup>1)</sup> | 161,3  | 19,05  | 63,50 | 196,85             | 76,20       | 44,45 | 76,20         | 10,0 | PHP 10-B60TB |
| 152,4   | 6,0               |                       |      | 162,6  | 6,4  | A-1         | 2517 <sup>1)</sup> | 171,5             | 19,05              | 63,50  | 196,85 | 76,20 | 44,45              | 76,20       | 11,6  | PHP 10-B64TB  |      |              |
| 162,6   | 6,4               |                       |      | 172,7  | 6,8  | A-1         | 2517 <sup>1)</sup> | 181,6             | 19,05              | 63,50  | 196,85 | 76,20 | 44,45              | 76,20       | 12,7  | PHP 10-B68TB  |      |              |
| 177,8   | 7,0               |                       |      | 188,0  | 7,4  | A-1         | 2517 <sup>1)</sup> | 196,9             | 19,05              | 63,50  | 196,85 | 76,20 | 44,45              | 76,20       | 15,9  | PHP 10-B74TB  |      |              |
| 208,3   | 8,2               |                       |      | 218,4  | 8,6  | A-1         | 3030               | 227,3             | 31,75              | 76,20  | 196,85 | 50,80 | 76,20              | 69,85       | 19,5  | PHP 10-B86TB  |      |              |
| 228,6   | 9,0               |                       |      | 238,8  | 9,4  | A-2         | 3030               | 252,7             | 31,75              | 76,20  | 196,85 | 50,80 | 76,20              | 69,85       | 20,9  | PHP 10-B94TB  |      |              |
| 269,2   | 10,6              |                       |      | 279,4  | 11,0 | A-2         | 3030               | 288,3             | 31,75              | 76,20  | 196,85 | 50,80 | 76,20              | 69,85       | 23,6  | PHP 10-B110TB |      |              |

<sup>1)</sup> Taper bushing needs to conform to coarse thread series (UNC) of the ASME/ANSI standard. To complete designation, add U before bushing number and bore size at the end of designation, e.g. PHF TBU3535X70MM.

<sup>2)</sup> Mass does not include bushings.

# Classical V-belt pulleys

C taper bushed



| Section | Number of grooves | Pitch diameter |       | Pulley type        | Bushing number     | Dimensions         |        | B Min. | Max.   | F      | E     | L     | M            | Mass <sup>2)</sup> | Designation |    |  |
|---------|-------------------|----------------|-------|--------------------|--------------------|--------------------|--------|--------|--------|--------|-------|-------|--------------|--------------------|-------------|----|--|
|         |                   | PD             |       |                    |                    | Outer diameter OD  |        |        |        |        |       |       |              |                    |             |    |  |
|         |                   | mm             | in.   |                    |                    | mm                 |        |        |        |        |       |       |              |                    |             | kg |  |
| C       | 2                 | 177,8          | 7,0   | A-1                | 2517 <sup>1)</sup> | 188,0              | 19,05  | 63,50  | 60,33  | 15,88  | 44,45 | –     | 6,8          | PHP 2-C70TB        |             |    |  |
|         |                   | 190,5          | 7,5   | A-1                | 2517 <sup>1)</sup> | 200,7              | 19,05  | 63,50  | 60,33  | 15,88  | 44,45 | –     | 7,7          | PHP 2-C75TB        |             |    |  |
|         |                   | 203,2          | 8,0   | A-1                | 2517 <sup>1)</sup> | 213,4              | 19,05  | 63,50  | 60,33  | 15,88  | 44,45 | –     | 9,1          | PHP 2-C80TB        |             |    |  |
|         |                   | 215,9          | 8,5   | A-2                | 2517 <sup>1)</sup> | 226,1              | 19,05  | 63,50  | 60,33  | 15,88  | 44,45 | –     | 10,0         | PHP 2-C85TB        |             |    |  |
|         |                   | 228,6          | 9,0   | A-2                | 2517 <sup>1)</sup> | 238,8              | 19,05  | 63,50  | 60,33  | 15,88  | 44,45 | –     | 10,4         | PHP 2-C90TB        |             |    |  |
|         |                   | 241,3          | 9,5   | A-2                | 2517 <sup>1)</sup> | 251,5              | 19,05  | 63,50  | 60,33  | 15,88  | 44,45 | –     | 10,9         | PHP 2-C95TB        |             |    |  |
|         |                   | 254,0          | 10,0  | A-2                | 2517 <sup>1)</sup> | 264,2              | 19,05  | 63,50  | 60,33  | 15,88  | 44,45 | –     | 11,3         | PHP 2-C100TB       |             |    |  |
|         |                   | 266,7          | 10,5  | A-2                | 2517 <sup>1)</sup> | 276,9              | 19,05  | 63,50  | 60,33  | 15,88  | 44,45 | –     | 11,8         | PHP 2-C105TB       |             |    |  |
|         |                   | 279,4          | 11,0  | A-2                | 2517 <sup>1)</sup> | 289,6              | 19,05  | 63,50  | 60,33  | 15,88  | 44,45 | –     | 12,3         | PHP 2-C110TB       |             |    |  |
|         |                   | 304,8          | 12,0  | A-2                | 2517 <sup>1)</sup> | 315,0              | 19,05  | 63,50  | 60,33  | 15,88  | 44,45 | –     | 15,0         | PHP 2-C120TB       |             |    |  |
|         | 330,2             | 13,0           | A-3   | 2517 <sup>1)</sup> | 340,4              | 19,05              | 63,50  | 60,33  | 15,88  | 44,45  | –     | 15,9  | PHP 2-C130TB |                    |             |    |  |
|         | 355,6             | 14,0           | A-3   | 2517 <sup>1)</sup> | 365,8              | 19,05              | 63,50  | 60,33  | 15,88  | 44,45  | –     | 16,3  | PHP 2-C140TB |                    |             |    |  |
|         | 406,4             | 16,0           | A-3   | 2517 <sup>1)</sup> | 416,6              | 19,05              | 63,50  | 60,33  | 15,88  | 44,45  | –     | 19,1  | PHP 2-C160TB |                    |             |    |  |
|         | 457,2             | 18,0           | A-3   | 3020               | 467,4              | 31,75              | 76,20  | 60,33  | –      | 50,80  | 9,53  | 19,1  | PHP 2-C180TB |                    |             |    |  |
|         | 508,0             | 20,0           | A-3   | 3020               | 518,2              | 31,75              | 76,20  | 60,33  | –      | 50,80  | 9,53  | 20,4  | PHP 2-C200TB |                    |             |    |  |
|         | 609,6             | 24,0           | A-3   | 3020               | 619,8              | 31,75              | 76,20  | 60,33  | –      | 50,80  | 9,53  | 32,7  | PHP 2-C240TB |                    |             |    |  |
|         | C                 | 3              | 177,8 | 7,0                | A-1                | 2517 <sup>1)</sup> | 188,0  | 19,05  | 63,50  | 85,73  | 6,35  | 44,45 | 34,93        | 8,2                | PHP 3-C70TB |    |  |
|         |                   |                | 190,5 | 7,5                | A-1                | 2517 <sup>1)</sup> | 200,7  | 19,05  | 63,50  | 85,73  | 6,35  | 44,45 | 34,93        | 9,1                | PHP 3-C75TB |    |  |
|         |                   |                | 203,2 | 8,0                | A-1                | 2517 <sup>1)</sup> | 213,4  | 19,05  | 63,50  | 85,73  | 6,35  | 44,45 | 34,93        | 10,0               | PHP 3-C80TB |    |  |
|         |                   |                | 215,9 | 8,5                | A-2                | 2517 <sup>1)</sup> | 226,1  | 19,05  | 63,50  | 85,73  | 6,35  | 44,45 | 34,93        | 10,4               | PHP 3-C85TB |    |  |
| 228,6   |                   |                | 9,0   | A-2                | 2517 <sup>1)</sup> | 238,8              | 19,05  | 63,50  | 85,73  | 6,35   | 44,45 | 34,93 | 10,9         | PHP 3-C90TB        |             |    |  |
| 241,3   |                   |                | 9,5   | A-2                | 2517 <sup>1)</sup> | 251,5              | 19,05  | 63,50  | 85,73  | 6,35   | 44,45 | 34,93 | 12,3         | PHP 3-C95TB        |             |    |  |
| 254,0   |                   |                | 10,0  | A-2                | 2517 <sup>1)</sup> | 264,2              | 19,05  | 63,50  | 85,73  | 6,35   | 44,45 | 34,93 | 13,2         | PHP 3-C100TB       |             |    |  |
| 266,7   |                   |                | 10,5  | A-2                | 2517 <sup>1)</sup> | 276,9              | 19,05  | 63,50  | 85,73  | 6,35   | 44,45 | 34,93 | 14,5         | PHP 3-C105TB       |             |    |  |
| 279,4   |                   |                | 11,0  | A-2                | 2517 <sup>1)</sup> | 289,6              | 19,05  | 63,50  | 85,73  | 6,35   | 44,45 | 34,93 | 15,9         | PHP 3-C110TB       |             |    |  |
| 304,8   |                   |                | 12,0  | A-2                | 3020               | 315,0              | 31,75  | 76,20  | 85,73  | –      | 50,80 | 34,93 | 20,0         | PHP 3-C120TB       |             |    |  |
| 330,2   |                   | 13,0           | A-3   | 3020               | 340,4              | 31,75              | 76,20  | 85,73  | –      | 50,80  | 34,93 | 22,2  | PHP 3-C130TB |                    |             |    |  |
| 355,6   |                   | 14,0           | A-3   | 3020               | 365,8              | 31,75              | 76,20  | 85,73  | –      | 50,80  | 34,93 | 22,7  | PHP 3-C140TB |                    |             |    |  |
| 406,4   |                   | 16,0           | A-3   | 3020               | 416,6              | 31,75              | 76,20  | 85,73  | –      | 50,80  | 34,93 | 29,0  | PHP 3-C160TB |                    |             |    |  |
| 457,2   |                   | 18,0           | A-3   | 3030               | 467,4              | 31,75              | 76,20  | 85,73  | –      | 76,20  | 9,53  | 29,0  | PHP 3-C180TB |                    |             |    |  |
| 508,0   |                   | 20,0           | A-3   | 3030               | 518,2              | 31,75              | 76,20  | 85,73  | –      | 76,20  | 9,53  | 35,4  | PHP 3-C200TB |                    |             |    |  |
| 609,6   |                   | 24,0           | A-3   | 3030               | 619,8              | 31,75              | 76,20  | 85,73  | –      | 76,20  | 9,53  | 43,5  | PHP 3-C240TB |                    |             |    |  |
| 762,0   |                   | 30,0           | B-3   | 3535 <sup>1)</sup> | 772,2              | 50,80              | 88,90  | 85,73  | –      | 88,90  | 3,18  | 56,7  | PHP 3-C300TB |                    |             |    |  |
| 914,4   |                   | 36,0           | B-3   | 3535 <sup>1)</sup> | 924,6              | 50,80              | 88,90  | 85,73  | –      | 88,90  | 3,18  | 79,4  | PHP 3-C360TB |                    |             |    |  |
| C       |                   | 4              | 177,8 | 7,0                | A-1                | 2517 <sup>1)</sup> | 188,0  | 19,05  | 63,50  | 111,13 | 12,70 | 44,45 | 53,98        | 9,1                | PHP 4-C70TB |    |  |
|         |                   |                | 190,5 | 7,5                | A-1                | 2517 <sup>1)</sup> | 200,7  | 19,05  | 63,50  | 111,13 | 12,70 | 44,45 | 53,98        | 10,4               | PHP 4-C75TB |    |  |
|         | 203,2             |                | 8,0   | A-1                | 2517 <sup>1)</sup> | 213,4              | 19,05  | 63,50  | 111,13 | 12,70  | 44,45 | 53,98 | 11,3         | PHP 4-C80TB        |             |    |  |
|         | 215,9             |                | 8,5   | A-2                | 2517 <sup>1)</sup> | 226,1              | 19,05  | 63,50  | 111,13 | 12,70  | 44,45 | 53,98 | 11,8         | PHP 4-C85TB        |             |    |  |
|         | 228,6             |                | 9,0   | A-2                | 2517 <sup>1)</sup> | 238,8              | 19,05  | 63,50  | 111,13 | 12,70  | 44,45 | 53,98 | 12,3         | PHP 4-C90TB        |             |    |  |
|         | 241,3             |                | 9,5   | A-2                | 2517 <sup>1)</sup> | 251,5              | 19,05  | 63,50  | 111,13 | 12,70  | 44,45 | 53,98 | 16,3         | PHP 4-C95TB        |             |    |  |
|         | 254,0             |                | 10,0  | A-2                | 2517 <sup>1)</sup> | 264,2              | 19,05  | 63,50  | 111,13 | 12,70  | 44,45 | 53,98 | 17,7         | PHP 4-C100TB       |             |    |  |
|         | 266,7             |                | 10,5  | A-2                | 2517 <sup>1)</sup> | 276,9              | 19,05  | 63,50  | 111,13 | 12,70  | 44,45 | 53,98 | 19,1         | PHP 4-C105TB       |             |    |  |
|         | 279,4             |                | 11,0  | A-2                | 2517 <sup>1)</sup> | 289,6              | 19,05  | 63,50  | 111,13 | 12,70  | 44,45 | 53,98 | 20,4         | PHP 4-C110TB       |             |    |  |
|         | 304,8             |                | 12,0  | A-2                | 2517 <sup>1)</sup> | 315,0              | 19,05  | 76,20  | 111,13 | –      | 76,20 | 34,93 | 21,3         | PHP 4-C120TB       |             |    |  |
|         | 330,2             | 13,0           | A-3   | 3030               | 340,4              | 31,75              | 76,20  | 111,13 | –      | 76,20  | 34,93 | 23,1  | PHP 4-C130TB |                    |             |    |  |
|         | 355,6             | 14,0           | A-3   | 3030               | 365,8              | 31,75              | 76,20  | 111,13 | –      | 76,20  | 34,93 | 24,5  | PHP 4-C140TB |                    |             |    |  |
|         | 406,4             | 16,0           | A-3   | 3030               | 416,6              | 31,75              | 76,20  | 111,13 | –      | 76,20  | 34,93 | 32,2  | PHP 4-C160TB |                    |             |    |  |
|         | 457,2             | 18,0           | A-3   | 3030               | 467,4              | 31,75              | 76,20  | 111,13 | –      | 76,20  | 34,93 | 36,7  | PHP 4-C180TB |                    |             |    |  |
|         | 508,0             | 20,0           | A-3   | 3030               | 518,2              | 31,75              | 76,20  | 111,13 | –      | 76,20  | 34,93 | 38,1  | PHP 4-C200TB |                    |             |    |  |
|         | 609,6             | 24,0           | A-3   | 3030               | 619,8              | 31,75              | 76,20  | 111,13 | –      | 76,20  | 34,93 | 52,6  | PHP 4-C240TB |                    |             |    |  |
|         | 762,0             | 30,0           | A-3   | 3535 <sup>1)</sup> | 772,2              | 50,80              | 88,90  | 111,13 | –      | 88,90  | 22,23 | 74,4  | PHP 4-C300TB |                    |             |    |  |
|         | 914,4             | 36,0           | A-3   | 3535 <sup>1)</sup> | 924,6              | 50,80              | 88,90  | 111,13 | –      | 88,90  | 22,23 | 87,1  | PHP 4-C360TB |                    |             |    |  |
|         | 1117,6            | 44,0           | A-3   | 4040               | 1127,8             | 44,45              | 101,60 | 111,13 | –      | 101,60 | 9,53  | 127,9 | PHP 4-C440TB |                    |             |    |  |

<sup>1)</sup> Taper bushing needs to conform to coarse thread series (UNC) of the ASME/ANSI standard. To complete designation, add U before bushing number and bore size at the end of designation, e.g. PHF TBU3535X70MM.

<sup>2)</sup> Mass does not include bushings.



**Classical V-belt pulleys**  
C taper bushed

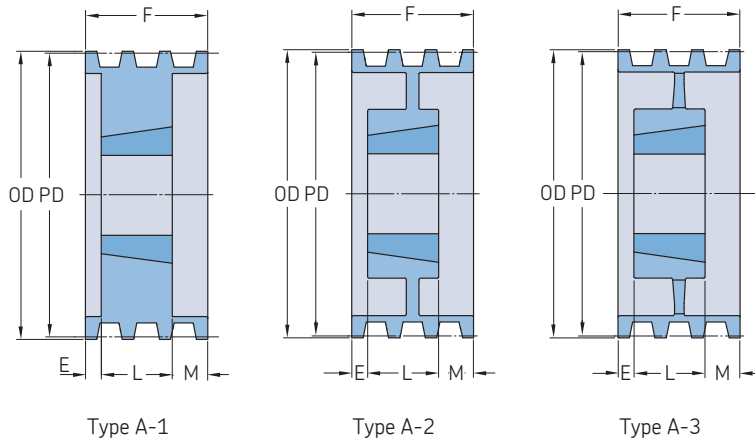
| Section  | Number of grooves | Pitch diameter                             |                                      | Pulley type                     | Bushing number                                                                                             | Dimensions                                 |                                           |                                                |                                                |                                           |                                                | Mass <sup>2)</sup>                             | Designation                              |                                                                                   |
|----------|-------------------|--------------------------------------------|--------------------------------------|---------------------------------|------------------------------------------------------------------------------------------------------------|--------------------------------------------|-------------------------------------------|------------------------------------------------|------------------------------------------------|-------------------------------------------|------------------------------------------------|------------------------------------------------|------------------------------------------|-----------------------------------------------------------------------------------|
|          |                   | PD                                         |                                      |                                 |                                                                                                            | Outer diameter OD                          | B Min.                                    | Max.                                           | F                                              | E                                         | L                                              |                                                |                                          | M                                                                                 |
|          |                   | mm                                         | in.                                  |                                 |                                                                                                            |                                            |                                           |                                                |                                                |                                           |                                                |                                                |                                          |                                                                                   |
| –        | –                 | mm                                         | in.                                  | –                               | –                                                                                                          | mm                                         |                                           |                                                |                                                |                                           |                                                | kg                                             | –                                        |                                                                                   |
| <b>C</b> | <b>5</b>          | 177,8<br>190,5<br>203,2<br>215,9<br>228,6  | 7,0<br>7,5<br>8,0<br>8,5<br>9,0      | A-1<br>A-1<br>A-1<br>A-2        | 2517 <sup>1)</sup><br>2517 <sup>1)</sup><br>2517 <sup>1)</sup><br>2517 <sup>1)</sup>                       | 188,0<br>200,7<br>213,4<br>226,1<br>238,8  | 19,05<br>19,05<br>19,05<br>19,05<br>19,05 | 63,50<br>63,50<br>63,50<br>63,50<br>63,50      | 136,53<br>136,53<br>136,53<br>136,53<br>136,53 | 38,10<br>38,10<br>38,10<br>38,10<br>38,10 | 44,45<br>44,45<br>44,45<br>44,45<br>44,45      | 53,98<br>53,98<br>53,98<br>53,98<br>53,98      | 10,4<br>11,8<br>13,6<br>15,4<br>15,9     | PHP 5-C70TB<br>PHP 5-C75TB<br>PHP 5-C80TB<br>PHP 5-C85TB<br>PHP 5-C90TB           |
|          |                   | 241,3<br>254,0<br>266,7<br>279,4<br>304,8  | 9,5<br>10,0<br>10,5<br>11,0<br>12,0  | A-2<br>A-2<br>A-2<br>A-2<br>A-2 | 2517 <sup>1)</sup><br>2517 <sup>1)</sup><br>2517 <sup>1)</sup><br>2517 <sup>1)</sup><br>3030               | 251,5<br>264,2<br>276,9<br>289,6<br>315,0  | 19,05<br>19,05<br>19,05<br>19,05<br>31,75 | 63,50<br>63,50<br>63,50<br>63,50<br>76,20      | 136,53<br>136,53<br>136,53<br>136,53<br>136,53 | 38,10<br>38,10<br>38,10<br>38,10<br>12,70 | 44,45<br>44,45<br>44,45<br>44,45<br>76,20      | 53,98<br>53,98<br>53,98<br>53,98<br>47,63      | 16,3<br>17,7<br>19,1<br>19,5<br>26,3     | PHP 5-C95TB<br>PHP 5-C100TB<br>PHP 5-C105TB<br>PHP 5-C110TB<br>PHP 5-C120TB       |
|          |                   | 330,2<br>355,6<br>406,4<br>457,2<br>508,0  | 13,0<br>14,0<br>16,0<br>18,0<br>20,0 | A-3<br>A-3<br>A-3<br>A-3<br>A-3 | 3030<br>3030<br>3030<br>3030<br>3535 <sup>1)</sup>                                                         | 340,4<br>365,8<br>416,6<br>467,4<br>518,2  | 31,75<br>31,75<br>31,75<br>31,75<br>50,80 | 76,20<br>76,20<br>76,20<br>76,20<br>88,90      | 136,53<br>136,53<br>136,53<br>136,53<br>136,53 | 12,70<br>12,70<br>12,70<br>12,70<br>–     | 76,20<br>76,20<br>76,20<br>76,20<br>88,90      | 47,63<br>47,63<br>47,63<br>47,63<br>47,63      | 28,6<br>29,5<br>31,8<br>37,7<br>49,9     | PHP 5-C130TB<br>PHP 5-C140TB<br>PHP 5-C160TB<br>PHP 5-C180TB<br>PHP 5-C200TB      |
|          |                   | 609,6<br>762,0<br>914,4<br>1117,6          | 24,0<br>30,0<br>36,0<br>44,0         | A-3<br>A-3<br>A-3<br>A-3        | 3535 <sup>1)</sup><br>3535 <sup>1)</sup><br>4040<br>4040                                                   | 619,8<br>772,2<br>924,6<br>1127,8          | 50,80<br>50,80<br>44,45<br>44,45          | 88,90<br>88,90<br>101,60<br>101,60             | 136,53<br>136,53<br>136,53<br>136,53           | –<br>–<br>6,35<br>6,35                    | 88,90<br>88,90<br>101,60<br>101,60             | 47,63<br>47,63<br>28,58<br>28,58               | 62,6<br>79,8<br>110,7<br>130,6           | PHP 5-C240TB<br>PHP 5-C300TB<br>PHP 5-C360TB<br>PHP 5-C400TB                      |
| <b>C</b> | <b>6</b>          | 177,8<br>190,5<br>203,2<br>215,9<br>228,6  | 7,0<br>7,5<br>8,0<br>8,5<br>9,0      | A-1<br>A-1<br>A-1<br>A-1<br>A-1 | 3030<br>3030<br>3030<br>3030<br>3030                                                                       | 188,0<br>200,7<br>213,4<br>226,1<br>238,8  | 31,75<br>31,75<br>31,75<br>31,75<br>31,75 | 76,20<br>76,20<br>76,20<br>76,20<br>76,20      | 161,93<br>161,93<br>161,93<br>161,93<br>161,93 | 25,40<br>25,40<br>25,40<br>25,40<br>25,40 | 76,20<br>76,20<br>76,20<br>76,20<br>76,20      | 60,33<br>60,33<br>60,33<br>60,33<br>60,33      | 13,6<br>14,1<br>15,9<br>18,1<br>21,3     | PHP 6-C70TB<br>PHP 6-C75TB<br>PHP 6-C80TB<br>PHP 6-C85TB<br>PHP 6-C90TB           |
|          |                   | 241,3<br>254,0<br>266,7<br>279,4<br>304,8  | 9,5<br>10,0<br>10,5<br>11,0<br>12,0  | A-1<br>A-1<br>A-2<br>A-2<br>A-2 | 3030<br>3030<br>3030<br>3030<br>3030                                                                       | 251,5<br>264,2<br>276,9<br>289,6<br>315,0  | 31,75<br>31,75<br>31,75<br>31,75<br>31,75 | 76,20<br>76,20<br>76,20<br>76,20<br>76,20      | 161,93<br>161,93<br>161,93<br>161,93<br>161,93 | 25,40<br>25,40<br>25,40<br>25,40<br>25,40 | 76,20<br>76,20<br>76,20<br>76,20<br>76,20      | 60,33<br>60,33<br>60,33<br>60,33<br>60,33      | 24,0<br>25,9<br>26,3<br>29,9<br>31,8     | PHP 6-C95TB<br>PHP 6-C100TB<br>PHP 6-C105TB<br>PHP 6-C110TB<br>PHP 6-C120TB       |
|          |                   | 330,2<br>355,6<br>406,4<br>457,2<br>508,0  | 13,0<br>14,0<br>16,0<br>18,0<br>20,0 | A-3<br>A-3<br>A-3<br>A-3<br>A-3 | 3030<br>3535 <sup>1)</sup><br>3535 <sup>1)</sup><br>3535 <sup>1)</sup><br>3535 <sup>1)</sup>               | 340,4<br>365,8<br>416,6<br>467,4<br>518,2  | 31,75<br>50,80<br>50,80<br>50,80<br>50,80 | 76,20<br>88,90<br>88,90<br>88,90<br>88,90      | 161,93<br>161,93<br>161,93<br>161,93<br>161,93 | 25,40<br>12,70<br>12,70<br>12,70<br>12,70 | 76,20<br>88,90<br>88,90<br>88,90<br>88,90      | 60,33<br>60,33<br>60,33<br>60,33<br>60,33      | 34,0<br>36,3<br>39,5<br>46,3<br>57,2     | PHP 6-C130TB<br>PHP 6-C140TB<br>PHP 6-C160TB<br>PHP 6-C180TB<br>PHP 6-C200TB      |
|          |                   | 609,6<br>762,0<br>914,4<br>1117,6          | 24,0<br>30,0<br>36,0<br>44,0         | A-3<br>A-3<br>A-3<br>A-3        | 3535 <sup>1)</sup><br>4040<br>4040<br>4040                                                                 | 619,8<br>772,2<br>924,6<br>1127,8          | 50,80<br>44,45<br>44,45<br>44,45          | 88,90<br>101,60<br>101,60<br>101,60            | 161,93<br>161,93<br>161,93<br>161,93           | 12,70<br>25,40<br>25,40<br>25,40          | 88,90<br>101,60<br>101,60<br>101,60            | 60,33<br>34,93<br>34,93<br>34,93               | 68,0<br>102,5<br>122,5<br>145,2          | PHP 6-C240TB<br>PHP 6-C300TB<br>PHP 6-C360TB<br>PHP 6-C440TB                      |
| <b>C</b> | <b>8</b>          | 203,2<br>215,9<br>228,6<br>241,3<br>254,0  | 8,0<br>8,5<br>9,0<br>9,5<br>10,0     | A-1<br>A-1<br>A-1<br>A-1<br>A-1 | 3030<br>3030<br>3535 <sup>1)</sup><br>3535 <sup>1)</sup><br>3535 <sup>1)</sup>                             | 213,4<br>226,1<br>238,8<br>251,5<br>264,2  | 31,75<br>31,75<br>50,80<br>50,80<br>50,80 | 76,20<br>76,20<br>88,90<br>88,90<br>88,90      | 212,73<br>212,73<br>212,73<br>212,73<br>212,73 | 50,80<br>50,80<br>38,10<br>38,10<br>38,10 | 76,20<br>76,20<br>88,90<br>88,90<br>88,90      | 85,73<br>85,73<br>85,73<br>85,73<br>85,73      | 20,4<br>21,3<br>29,0<br>30,4<br>31,8     | PHP 8-C80TB<br>PHP 8-C85TB<br>PHP 8-C90TB<br>PHP 8-C95TB<br>PHP 8-C100TB          |
|          |                   | 266,7<br>279,4<br>304,8<br>330,2<br>355,6  | 10,5<br>11,0<br>12,0<br>13,0<br>14,0 | A-1<br>A-1<br>A-2<br>A-2<br>A-2 | 3535 <sup>1)</sup><br>3535 <sup>1)</sup><br>3535 <sup>1)</sup><br>3535 <sup>1)</sup><br>3535 <sup>1)</sup> | 276,9<br>289,6<br>315,0<br>340,4<br>365,8  | 50,80<br>50,80<br>50,80<br>50,80<br>50,80 | 88,90<br>88,90<br>88,90<br>88,90<br>88,90      | 212,73<br>212,73<br>212,73<br>212,73<br>212,73 | 38,10<br>38,10<br>38,10<br>38,10<br>38,10 | 88,90<br>88,90<br>88,90<br>88,90<br>88,90      | 85,73<br>85,73<br>85,73<br>85,73<br>85,73      | 38,1<br>39,5<br>40,8<br>44,0<br>47,6     | PHP 8-C105TB<br>PHP 8-C110TB<br>PHP 8-C120TB<br>PHP 8-C130TB<br>PHP 8-C140TB      |
|          |                   | 406,4<br>457,2<br>508,0<br>609,6<br>762,0  | 16,0<br>18,0<br>20,0<br>24,0<br>30,0 | A-3<br>A-3<br>A-3<br>A-3<br>A-3 | 3535 <sup>1)</sup><br>4040<br>4040<br>4040<br>4040                                                         | 416,6<br>467,4<br>518,2<br>619,8<br>772,2  | 50,80<br>44,45<br>44,45<br>44,45<br>44,45 | 88,90<br>101,60<br>101,60<br>101,60<br>101,60  | 212,73<br>212,73<br>212,73<br>212,73<br>212,73 | 38,10<br>38,10<br>38,10<br>38,10<br>38,10 | 88,90<br>101,60<br>101,60<br>101,60<br>101,60  | 85,73<br>73,03<br>73,03<br>73,03<br>73,03      | 52,2<br>62,1<br>81,7<br>93,0<br>119,3    | PHP 8-C160TB<br>PHP 8-C180TB<br>PHP 8-C200TB<br>PHP 8-C240TB<br>PHP 8-C300TB      |
|          |                   | 914,4<br>1117,6                            | 36,0<br>44,0                         | A-3<br>A-3                      | 4545<br>4545                                                                                               | 924,6<br>1127,8                            | 57,15<br>57,15                            | 114,30<br>114,30                               | 212,73<br>212,73                               | 31,75<br>31,75                            | 114,30<br>114,30                               | 66,68<br>66,68                                 | 155,6<br>196,0                           | PHP 8-C360TB<br>PHP 8-C440TB                                                      |
| <b>C</b> | <b>10</b>         | 228,6<br>241,3<br>254,0<br>266,7<br>279,4  | 9,0<br>9,5<br>10,0<br>10,5<br>11,0   | A-1<br>A-1<br>A-1<br>A-1<br>A-1 | 4545<br>4545<br>4545<br>4545<br>4545                                                                       | 238,8<br>251,5<br>264,2<br>276,9<br>289,6  | 57,15<br>57,15<br>57,15<br>57,15<br>57,15 | 114,30<br>114,30<br>114,30<br>114,30<br>114,30 | 263,53<br>263,53<br>263,53<br>263,53<br>263,53 | 38,10<br>38,10<br>38,10<br>38,10<br>38,10 | 114,30<br>114,30<br>114,30<br>114,30<br>114,30 | 111,13<br>111,13<br>111,13<br>111,13<br>111,13 | 25,9<br>29,9<br>34,9<br>39,5<br>44,5     | PHP 10-C90TB<br>PHP 10-C95TB<br>PHP 10-C100TB<br>PHP 10-C105TB<br>PHP 10-C110TB   |
|          |                   | 304,8<br>330,2<br>355,6<br>406,4<br>457,2  | 12,0<br>13,0<br>14,0<br>16,0<br>18,0 | A-1<br>A-1<br>A-2<br>A-2<br>A-2 | 4545<br>4545<br>4545<br>4545<br>4545                                                                       | 315,0<br>340,4<br>365,8<br>416,6<br>467,4  | 57,15<br>57,15<br>57,15<br>57,15<br>57,15 | 114,30<br>114,30<br>114,30<br>114,30<br>114,30 | 263,53<br>263,53<br>263,53<br>263,53<br>263,53 | 38,10<br>50,80<br>50,80<br>50,80<br>50,80 | 114,30<br>114,30<br>114,30<br>114,30<br>114,30 | 111,13<br>98,43<br>98,43<br>98,43<br>98,43     | 54,9<br>66,2<br>78,5<br>105,7<br>79,8    | PHP 10-C120TB<br>PHP 10-C130TB<br>PHP 10-C140TB<br>PHP 10-C160TB<br>PHP 10-C180TB |
|          |                   | 508,0<br>609,6<br>762,0<br>914,4<br>1117,6 | 20,0<br>24,0<br>30,0<br>36,0<br>44,0 | A-3<br>A-3<br>A-3<br>A-3<br>A-3 | 4545<br>4545<br>4545<br>4545<br>4545                                                                       | 518,2<br>619,8<br>772,2<br>924,6<br>1127,8 | 57,15<br>57,15<br>57,15<br>57,15<br>57,15 | 114,30<br>114,30<br>114,30<br>114,30<br>114,30 | 263,53<br>263,53<br>263,53<br>263,53<br>263,53 | 50,80<br>50,80<br>50,80<br>50,80<br>50,80 | 114,30<br>114,30<br>114,30<br>114,30<br>114,30 | 98,43<br>98,43<br>98,43<br>98,43<br>98,43      | 91,2<br>110,2<br>145,2<br>210,5<br>230,4 | PHP 10-C200TB<br>PHP 10-C240TB<br>PHP 10-C300TB<br>PHP 10-C360TB<br>PHP 10-C440TB |
| <b>C</b> | <b>12</b>         | 228,6<br>241,3<br>254,0                    | 9,0<br>9,5<br>10,0                   | A-1<br>A-1<br>A-1               | 4040<br>4040<br>4040                                                                                       | 238,8<br>251,5<br>264,2                    | 44,45<br>44,45<br>44,45                   | 101,60<br>101,60<br>101,60                     | 314,33<br>314,33<br>314,33                     | 88,90<br>88,90<br>88,90                   | 101,60<br>101,60<br>101,60                     | 123,83<br>123,83<br>123,83                     | 29,5<br>34,0<br>38,6                     | PHP 12-C90TB<br>PHP 12-C95TB<br>PHP 12-C100TB                                     |

<sup>1)</sup> Taper bushing needs to conform to coarse thread series (UNC) of the ASME/ANSI standard. To complete designation, add U before bushing number and bore size at the end of designation, e.g. PHP TBU3535X70MM.

<sup>2)</sup> Mass does not include bushings.

# Classical V-belt pulleys

C taper bushed | D taper bushed



| Section | Number of grooves | Pitch diameter |      | Pulley type | Bushing number     | Dimensions     |       | F      | E      | L      | M      | Mass <sup>2)</sup> | Designation |               |      |              |
|---------|-------------------|----------------|------|-------------|--------------------|----------------|-------|--------|--------|--------|--------|--------------------|-------------|---------------|------|--------------|
|         |                   | PD             |      |             |                    | Outer diameter | B     |        |        |        |        |                    |             |               |      |              |
|         |                   | mm             | in.  |             |                    | mm             | Min.  | Max.   |        |        |        | kg                 |             |               |      |              |
| C       | 12                | 266,7          | 10.5 | A-1         | 4040               | 276,9          | 44,45 | 101,60 | 314,33 | 88,90  | 101,60 | 123,83             | 43,1        | PHP 12-C105TB |      |              |
|         |                   | 279,4          | 11.0 | A-1         | 4040               | 289,6          | 44,45 | 101,60 | 314,33 | 88,90  | 101,60 | 123,83             | 47,2        | PHP 12-C110TB |      |              |
|         |                   | 304,8          | 12.0 | A-1         | 4040               | 315,0          | 44,45 | 101,60 | 314,33 | 88,90  | 101,60 | 123,83             | 57,2        | PHP 12-C120TB |      |              |
|         |                   | 330,2          | 13.0 | A-1         | 4545               | 340,4          | 57,15 | 114,30 | 314,33 | 76,20  | 114,30 | 123,83             | 70,8        | PHP 12-C130TB |      |              |
|         |                   | 355,6          | 14.0 | A-1         | 4545               | 365,8          | 57,15 | 114,30 | 314,33 | 76,20  | 114,30 | 123,83             | 83,5        | PHP 12-C140TB |      |              |
| D       | 4                 | 304,8          | 12.0 | A-2         | 3535 <sup>1)</sup> | 320,0          | 50,80 | 88,90  | 153,99 | 19,05  | 88,90  | 46,04              | 28,6        | PHP 4-D120TB  |      |              |
|         |                   | 330,2          | 13.0 | A-2         | 3535 <sup>1)</sup> | 345,4          | 50,80 | 88,90  | 153,99 | 19,05  | 88,90  | 46,04              | 33,1        | PHP 4-D130TB  |      |              |
|         |                   | 342,9          | 13.5 | A-2         | 3535 <sup>1)</sup> | 358,1          | 50,80 | 88,90  | 153,99 | 19,05  | 88,90  | 46,04              | 35,4        | PHP 4-D135TB  |      |              |
|         |                   | 355,6          | 14.0 | A-2         | 3535 <sup>1)</sup> | 370,8          | 50,80 | 88,90  | 153,99 | 19,05  | 88,90  | 46,04              | 37,7        | PHP 4-D140TB  |      |              |
|         |                   | 368,3          | 14.5 | A-2         | 3535 <sup>1)</sup> | 383,5          | 50,80 | 88,90  | 153,99 | 19,05  | 88,90  | 46,04              | 42,6        | PHP 4-D145TB  |      |              |
|         |                   | 381,0          | 15.0 | A-2         | 3535 <sup>1)</sup> | 396,2          | 50,80 | 88,90  | 153,99 | 19,05  | 88,90  | 46,04              | 42,6        | PHP 4-D150TB  |      |              |
|         |                   | 393,7          | 15.5 | A-2         | 3535 <sup>1)</sup> | 408,9          | 50,80 | 88,90  | 153,99 | 19,05  | 88,90  | 46,04              | 44,9        | PHP 4-D155TB  |      |              |
|         |                   | 406,4          | 16.0 | A-2         | 3535 <sup>1)</sup> | 421,6          | 50,80 | 88,90  | 153,99 | 19,05  | 88,90  | 46,04              | 47,2        | PHP 4-D160TB  |      |              |
|         |                   | 457,2          | 18.0 | A-3         | 3535 <sup>1)</sup> | 472,4          | 50,80 | 88,90  | 153,99 | 19,05  | 88,90  | 46,04              | 49,4        | PHP 4-D180TB  |      |              |
|         |                   | 558,8          | 22.0 | A-3         | 4040               | 574,0          | 44,45 | 101,60 | 153,99 | 19,05  | 101,60 | 33,34              | 64,4        | PHP 4-D220TB  |      |              |
|         |                   | 685,8          | 27.0 | A-3         | 4040               | 701,0          | 44,45 | 101,60 | 153,99 | 19,05  | 101,60 | 33,34              | 82,6        | PHP 4-D270TB  |      |              |
|         |                   | D              | 5    | 304,8       | 12.0               | A-1            | 4040  | 320,0  | 44,45  | 101,60 | 190,50 | 6,35               | 101,60      | 69,85         | 37,2 | PHP 5-D120TB |
|         |                   |                |      | 330,2       | 13.0               | A-2            | 4040  | 345,4  | 44,45  | 101,60 | 190,50 | 19,05              | 101,60      | 69,85         | 39,5 | PHP 5-D130TB |
| 342,9   | 13.5              |                |      | A-2         | 4040               | 358,1          | 44,45 | 101,60 | 190,50 | 19,05  | 101,60 | 69,85              | 41,7        | PHP 5-D135TB  |      |              |
| 355,6   | 14.0              |                |      | A-2         | 4040               | 370,8          | 44,45 | 101,60 | 190,50 | 19,05  | 101,60 | 69,85              | 44,0        | PHP 5-D140TB  |      |              |
| 368,3   | 14.5              |                |      | A-2         | 4040               | 383,5          | 44,45 | 101,60 | 190,50 | 19,05  | 101,60 | 69,85              | 46,3        | PHP 5-D145TB  |      |              |
| 381,0   | 15.0              |                |      | A-2         | 4040               | 396,2          | 44,45 | 101,60 | 190,50 | 19,05  | 101,60 | 69,85              | 48,5        | PHP 5-D150TB  |      |              |
| 393,7   | 15.5              |                |      | A-2         | 4040               | 408,9          | 44,45 | 101,60 | 190,50 | 19,05  | 101,60 | 69,85              | 50,8        | PHP 5-D155TB  |      |              |
| 406,4   | 16.0              |                |      | A-2         | 4040               | 421,6          | 44,45 | 101,60 | 190,50 | 19,05  | 101,60 | 69,85              | 50,8        | PHP 5-D160TB  |      |              |
| 457,2   | 18.0              |                |      | A-3         | 4040               | 472,4          | 44,45 | 101,60 | 190,50 | 25,40  | 101,60 | 63,50              | 59,9        | PHP 5-D180TB  |      |              |
| 558,8   | 22.0              |                |      | A-3         | 4040               | 574,0          | 44,45 | 101,60 | 190,50 | 25,40  | 101,60 | 63,50              | 73,5        | PHP 5-D220TB  |      |              |
| 685,8   | 27.0              |                |      | A-3         | 4040               | 701,0          | 44,45 | 101,60 | 190,50 | 25,40  | 101,60 | 63,50              | 93,9        | PHP 5-D270TB  |      |              |
| D       | 6                 |                |      | 304,8       | 12.0               | A-1            | 4040  | 320,0  | 44,45  | 101,60 | 227,01 | 25,40              | 101,60      | 100,01        | 45,4 | PHP 6-D120TB |
|         |                   |                |      | 330,2       | 13.0               | A-2            | 4040  | 345,4  | 44,45  | 101,60 | 227,01 | 38,10              | 101,60      | 87,31         | 45,4 | PHP 6-D130TB |
|         |                   | 342,9          | 13.5 | A-2         | 4040               | 358,1          | 44,45 | 101,60 | 227,01 | 38,10  | 101,60 | 87,31              | 48,5        | PHP 6-D135TB  |      |              |
|         |                   | 355,6          | 14.0 | A-2         | 4040               | 370,8          | 44,45 | 101,60 | 227,01 | 38,10  | 101,60 | 87,31              | 50,8        | PHP 6-D140TB  |      |              |
|         |                   | 368,3          | 14.5 | A-2         | 4040               | 383,5          | 44,45 | 101,60 | 227,01 | 38,10  | 101,60 | 87,31              | 53,1        | PHP 6-D145TB  |      |              |
|         |                   | 381,0          | 15.0 | A-2         | 4040               | 396,2          | 44,45 | 101,60 | 227,01 | 38,10  | 101,60 | 87,31              | 55,3        | PHP 6-D150TB  |      |              |
|         |                   | 393,7          | 15.5 | A-2         | 4040               | 408,9          | 44,45 | 101,60 | 227,01 | 38,10  | 101,60 | 87,31              | 57,6        | PHP 6-D155TB  |      |              |
|         |                   | 406,4          | 16.0 | A-2         | 4040               | 421,6          | 44,45 | 101,60 | 227,01 | 38,10  | 101,60 | 87,31              | 79,4        | PHP 6-D160TB  |      |              |
|         |                   | 457,2          | 18.0 | A-2         | 4040               | 472,4          | 44,45 | 101,60 | 227,01 | 38,10  | 101,60 | 87,31              | 83,9        | PHP 6-D180TB  |      |              |
|         |                   | 558,8          | 22.0 | A-3         | 4040               | 574,0          | 44,45 | 101,60 | 227,01 | 38,10  | 101,60 | 87,31              | 95,3        | PHP 6-D220TB  |      |              |
|         |                   | 685,8          | 27.0 | A-3         | 4545               | 701,0          | 57,15 | 114,30 | 227,01 | 44,45  | 114,30 | 68,26              | 117,9       | PHP 6-D270TB  |      |              |
|         |                   | 838,2          | 33.0 | A-3         | 4545               | 853,4          | 57,15 | 114,30 | 227,01 | 44,45  | 114,30 | 68,26              | 154,2       | PHP 6-D330TB  |      |              |
|         |                   | D              | 8    | 304,8       | 12.0               | A-1            | 4545  | 320,0  | 57,15  | 114,30 | 300,04 | 12,70              | 114,30      | 173,04        | 56,7 | PHP 8-D120TB |
| 330,2   | 13.0              |                |      | A-1         | 4545               | 345,4          | 57,15 | 114,30 | 300,04 | 12,70  | 114,30 | 173,04             | 70,3        | PHP 8-D130TB  |      |              |
| 342,9   | 13.5              |                |      | A-2         | 4545               | 358,1          | 57,15 | 114,30 | 300,04 | 25,40  | 114,30 | 160,34             | 68,0        | PHP 8-D135TB  |      |              |
| 355,6   | 14.0              |                |      | A-1         | 4545               | 370,8          | 57,15 | 114,30 | 300,04 | 25,40  | 114,30 | 160,34             | 70,3        | PHP 8-D140TB  |      |              |
| 368,3   | 14.5              |                |      | A-2         | 4545               | 383,5          | 57,15 | 114,30 | 300,04 | 50,80  | 114,30 | 134,94             | 70,3        | PHP 8-D145TB  |      |              |
| 381,0   | 15.0              |                |      | A-2         | 4545               | 396,2          | 57,15 | 114,30 | 300,04 | 50,80  | 114,30 | 134,94             | 61,2        | PHP 8-D150TB  |      |              |
| 393,7   | 15.5              |                |      | A-2         | 4545               | 408,9          | 57,15 | 114,30 | 300,04 | 50,80  | 114,30 | 134,94             | 74,8        | PHP 8-D155TB  |      |              |
| 406,4   | 16.0              |                |      | A-2         | 4545               | 421,6          | 57,15 | 114,30 | 300,04 | 50,80  | 114,30 | 134,94             | 74,8        | PHP 8-D160TB  |      |              |
| 457,2   | 18.0              |                |      | A-2         | 4545               | 472,4          | 57,15 | 114,30 | 300,04 | 69,85  | 114,30 | 115,89             | 81,7        | PHP 8-D180TB  |      |              |
| 558,8   | 22.0              |                |      | A-3         | 4545               | 574,0          | 57,15 | 114,30 | 300,04 | 69,85  | 114,30 | 115,89             | 124,7       | PHP 8-D220TB  |      |              |
| 685,8   | 27.0              |                |      | A-3         | 4545               | 701,0          | 57,15 | 114,30 | 300,04 | 69,85  | 114,30 | 115,89             | 156,5       | PHP 8-D270TB  |      |              |
| 838,2   | 33.0              |                |      | A-3         | 4545               | 853,4          | 57,15 | 114,30 | 300,04 | 69,85  | 114,30 | 115,89             | 206,4       | PHP 8-D330TB  |      |              |

<sup>1)</sup> Taper bushing needs to conform to coarse thread series (UNC) of the ASME/ANSI standard. To complete designation, add U before bushing number and bore size at the end of designation, e.g. PHF TBU3535X70MM.

<sup>2)</sup> Mass does not include bushings.

# Classical V-belt pulleys

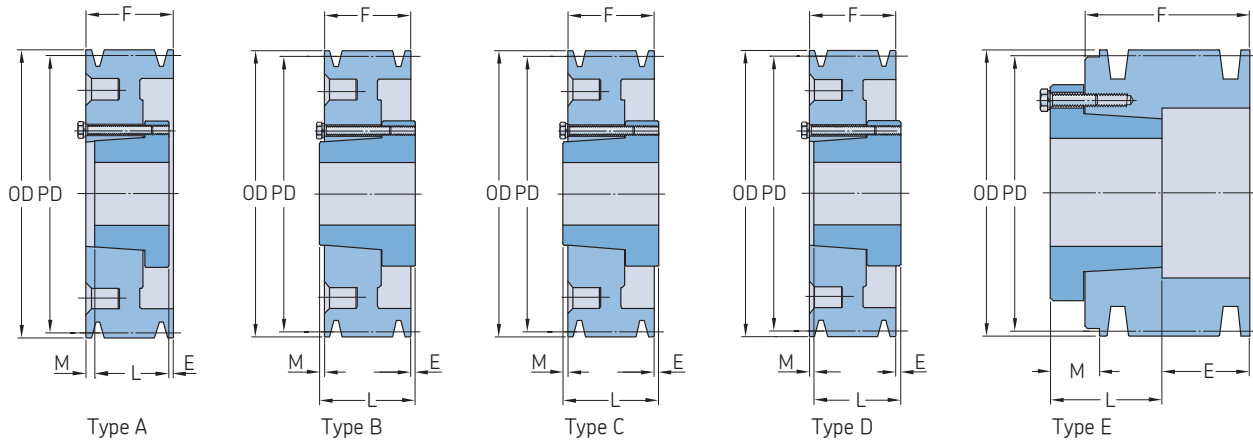
D taper bushed

| Section | Number of grooves | Pitch diameter |      | Pulley type | Bushing number | Dimensions        |        |        |        |        |        | Mass <sup>1)</sup> | Designation |               |
|---------|-------------------|----------------|------|-------------|----------------|-------------------|--------|--------|--------|--------|--------|--------------------|-------------|---------------|
|         |                   | PD             |      |             |                | Outer diameter OD | B Min. | Max.   | F      | E      | L      |                    |             | M             |
| –       | –                 | mm             | in.  | –           | –              | mm                |        |        |        |        |        | kg                 | –           |               |
| D       | 10                | 304,8          | 12.0 | A-1         | 4545           | 320,0             | 57,15  | 114,30 | 373,06 | 60,33  | 114,30 | 198,44             | 63,5        | PHP 10-D120TB |
|         |                   | 330,2          | 13.0 | A-1         | 4545           | 345,4             | 57,15  | 114,30 | 373,06 | 60,33  | 114,30 | 198,44             | 77,1        | PHP 10-D130TB |
|         |                   | 342,9          | 13.5 | A-2         | 4545           | 358,1             | 57,15  | 114,30 | 373,06 | 60,33  | 114,30 | 198,44             | 77,1        | PHP 10-D135TB |
|         |                   | 355,6          | 14.0 | A-2         | 4545           | 370,8             | 57,15  | 114,30 | 373,06 | 60,33  | 114,30 | 198,44             | 79,4        | PHP 10-D140TB |
|         |                   | 368,3          | 14.5 | A-2         | 4545           | 383,5             | 57,15  | 114,30 | 373,06 | 60,33  | 114,30 | 198,44             | 81,7        | PHP 10-D145TB |
|         |                   | 381,0          | 15.0 | A-2         | 4545           | 396,2             | 57,15  | 114,30 | 373,06 | 60,33  | 114,30 | 198,44             | 88,5        | PHP 10-D150TB |
|         |                   | 393,7          | 15.5 | A-2         | 4545           | 408,9             | 57,15  | 114,30 | 373,06 | 60,33  | 114,30 | 198,44             | 79,4        | PHP 10-D155TB |
|         |                   | 406,4          | 16.0 | A-2         | 4545           | 421,6             | 57,15  | 114,30 | 373,06 | 60,33  | 114,30 | 198,44             | 88,5        | PHP 10-D160TB |
|         |                   | 457,2          | 18.0 | A-2         | 4545           | 472,4             | 57,15  | 114,30 | 373,06 | 101,60 | 114,30 | 157,16             | 88,5        | PHP 10-D180TB |
|         |                   | 558,8          | 22.0 | A-3         | 4545           | 574,0             | 57,15  | 114,30 | 373,06 | 101,60 | 114,30 | 157,16             | 154,2       | PHP 10-D220TB |
|         |                   | 685,8          | 27.0 | A-3         | 4545           | 701,0             | 57,15  | 114,30 | 373,06 | 101,60 | 114,30 | 157,16             | 188,2       | PHP 10-D270TB |
|         |                   | 838,2          | 33.0 | A-3         | 4545           | 853,4             | 57,15  | 114,30 | 373,06 | 107,95 | 114,30 | 150,81             | 220,0       | PHP 10-D330TB |

<sup>1)</sup> Mass does not include bushings.

# Classical V-belt pulleys

A/B QD bushed



| Section | Number of grooves | Pitch diameter Belt A |      | Belt B |      | Pulley type <sup>1)</sup> | Bushing number | Dimensions        |           |        | L     | M     | Mass <sup>2)</sup> | Designation |       |                |     |               |
|---------|-------------------|-----------------------|------|--------|------|---------------------------|----------------|-------------------|-----------|--------|-------|-------|--------------------|-------------|-------|----------------|-----|---------------|
|         |                   | PD                    | in.  | PD     | in.  |                           |                | Outer diameter OD | Bore Min. | Max.   |       |       |                    |             | E     | F              |     |               |
|         |                   | mm                    |      | mm     |      |                           |                | mm                |           |        |       |       | kg                 |             |       |                |     |               |
| A/B     | 1                 | 76.2                  | 3.0  | 86.4   | 3.4  | E-1                       | SH             | 95.25             | 12.70     | 41.28  | 5.56  | 22.23 | 33.34              | 16.67       | 0.9   | PHP 1-B34-SH   |     |               |
|         |                   | 81.3                  | 3.2  | 91.4   | 3.6  | D-1                       | SH             | 100.33            | 12.70     | 41.28  | 15.08 | 22.23 | 33.34              | 3.97        | 1.0   | PHP 1-B36-SH   |     |               |
|         |                   | 86.4                  | 3.4  | 96.5   | 3.8  | D-1                       | SH             | 105.41            | 12.70     | 41.28  | 15.08 | 22.23 | 33.34              | 3.97        | 1.1   | PHP 1-B38-SH   |     |               |
|         |                   | 91.4                  | 3.6  | 101.6  | 4.0  | C-1                       | SH             | 110.49            | 12.70     | 41.28  | 8.73  | 22.23 | 33.34              | 2.38        | 1.2   | PHP 1-B40-SH   |     |               |
|         |                   | 96.5                  | 3.8  | 106.7  | 4.2  | C-1                       | SH             | 115.57            | 12.70     | 41.28  | 8.73  | 22.23 | 33.34              | 2.38        | 1.3   | PHP 1-B42-SH   |     |               |
|         |                   | 101.6                 | 4.0  | 111.8  | 4.4  | C-1                       | SH             | 120.65            | 12.70     | 41.28  | 8.73  | 22.23 | 33.34              | 2.38        | 1.5   | PHP 1-B44-SH   |     |               |
|         |                   | 106.7                 | 4.2  | 116.8  | 4.6  | C-1                       | SDS            | 125.73            | 12.70     | 50.80  | 8.73  | 22.23 | 33.34              | 2.38        | 1.8   | PHP 1-B46-SDS  |     |               |
|         |                   | 111.8                 | 4.4  | 121.9  | 4.8  | C-1                       | SDS            | 130.81            | 12.70     | 50.80  | 8.73  | 22.23 | 33.34              | 2.38        | 2.0   | PHP 1-B48-SDS  |     |               |
|         |                   | 116.8                 | 4.6  | 127.0  | 5.0  | C-1                       | SDS            | 135.89            | 12.70     | 50.80  | 8.73  | 22.23 | 33.34              | 2.38        | 2.1   | PHP 1-B50-SDS  |     |               |
|         |                   | 121.9                 | 4.8  | 132.1  | 5.2  | C-1                       | SDS            | 140.97            | 12.70     | 50.80  | 8.73  | 22.23 | 33.34              | 2.38        | 2.3   | PHP 1-B52-SDS  |     |               |
|         |                   | 127.0                 | 5.0  | 137.2  | 5.4  | C-1                       | SDS            | 146.05            | 12.70     | 50.80  | 8.73  | 22.23 | 33.34              | 2.38        | 2.4   | PHP 1-B54-SDS  |     |               |
|         |                   | 132.1                 | 5.2  | 142.2  | 5.6  | C-1                       | SDS            | 151.13            | 12.70     | 50.80  | 8.73  | 22.23 | 33.34              | 2.38        | 2.5   | PHP 1-B56-SDS  |     |               |
|         |                   | 137.2                 | 5.4  | 147.3  | 5.8  | C-2                       | SDS            | 156.21            | 12.70     | 50.80  | 8.73  | 22.23 | 33.34              | 2.38        | 2.7   | PHP 1-B58-SDS  |     |               |
|         |                   | 142.2                 | 5.6  | 152.4  | 6.0  | C-2                       | SDS            | 161.29            | 12.70     | 50.80  | 8.73  | 22.23 | 33.34              | 2.38        | 2.8   | PHP 1-B60-SDS  |     |               |
|         |                   | 147.3                 | 5.8  | 157.5  | 6.2  | C-2                       | SDS            | 166.37            | 12.70     | 50.80  | 8.73  | 22.23 | 33.34              | 2.38        | 3.0   | PHP 1-B62-SDS  |     |               |
|         |                   | 152.4                 | 6.0  | 162.6  | 6.4  | C-2                       | SDS            | 171.45            | 12.70     | 50.80  | 8.73  | 22.23 | 33.34              | 2.38        | 3.1   | PHP 1-B64-SDS  |     |               |
|         |                   | 157.5                 | 6.2  | 167.6  | 6.6  | C-2                       | SDS            | 176.53            | 12.70     | 50.80  | 8.73  | 22.23 | 33.34              | 2.38        | 3.3   | PHP 1-B66-SDS  |     |               |
|         |                   | 162.6                 | 6.4  | 172.7  | 6.8  | C-3                       | SDS            | 181.61            | 12.70     | 50.80  | 8.73  | 22.23 | 33.34              | 2.38        | 3.4   | PHP 1-B68-SDS  |     |               |
|         |                   | 167.6                 | 6.6  | 177.8  | 7.0  | C-3                       | SDS            | 186.69            | 12.70     | 50.80  | 8.73  | 22.23 | 33.34              | 2.38        | 3.5   | PHP 1-B70-SDS  |     |               |
|         |                   | 177.8                 | 7.0  | 188.0  | 7.4  | D-3                       | SDS            | 196.85            | 12.70     | 50.80  | 13.49 | 25.40 | 33.34              | 5.56        | 4.0   | PHP 1-B74-SDS  |     |               |
|         |                   | 193.0                 | 7.6  | 203.2  | 8.0  | D-3                       | SDS            | 212.09            | 12.70     | 50.80  | 13.49 | 25.40 | 33.34              | 5.56        | 4.4   | PHP 1-B80-SDS  |     |               |
|         |                   | 208.3                 | 8.2  | 218.4  | 8.6  | D-3                       | SDS            | 227.33            | 12.70     | 50.80  | 13.49 | 25.40 | 33.34              | 5.56        | 4.5   | PHP 1-B86-SDS  |     |               |
|         |                   | 228.6                 | 9.0  | 238.8  | 9.4  | D-3                       | SDS            | 247.65            | 12.70     | 50.80  | 13.49 | 25.40 | 33.34              | 5.56        | 4.8   | PHP 1-B94-SDS  |     |               |
|         |                   | 269.2                 | 10.6 | 279.4  | 11.0 | D-3                       | SDS            | 288.29            | 12.70     | 50.80  | 13.49 | 25.40 | 33.34              | 5.56        | 5.0   | PHP 1-B110-SDS |     |               |
|         |                   | 304.8                 | 12.0 | 315.0  | 12.4 | D-3                       | SDS            | 323.85            | 12.70     | 50.80  | 13.49 | 25.40 | 33.34              | 5.56        | 5.4   | PHP 1-B124-SDS |     |               |
|         |                   | 335.3                 | 13.2 | 345.4  | 13.6 | D-3                       | SDS            | 354.33            | 12.70     | 50.80  | 13.49 | 25.40 | 33.34              | 5.56        | 6.4   | PHP 1-B136-SDS |     |               |
|         |                   | 381.0                 | 15.0 | 391.2  | 15.4 | C-3                       | SK             | 400.05            | 12.70     | 66.68  | 16.67 | 25.40 | 49.21              | 7.14        | 7.3   | PHP 1-B154-SK  |     |               |
|         |                   | 396.2                 | 15.6 | 406.4  | 16.0 | C-3                       | SK             | 415.29            | 12.70     | 66.68  | 16.67 | 25.40 | 49.21              | 7.14        | 7.5   | PHP 1-B160-SK  |     |               |
|         |                   | 457.2                 | 18.0 | 467.4  | 18.4 | C-3                       | SK             | 476.25            | 12.70     | 66.68  | 16.67 | 25.40 | 49.21              | 7.14        | 8.2   | PHP 1-B184-SK  |     |               |
|         |                   | 497.8                 | 19.6 | 508.0  | 20.0 | C-3                       | SK             | 516.89            | 12.70     | 66.68  | 16.67 | 25.40 | 49.21              | 7.14        | 9.1   | PHP 1-B200-SK  |     |               |
|         |                   | A/B                   | 2    | 76.2   | 3.0  | 86.4                      | 3.4            | E-1               | SH        | 95.25  | 12.70 | 41.28 | 27.78              | 44.45       | 33.34 | 16.67          | 1.5 | PHP 2-B34-SH  |
|         |                   |                       |      | 81.3   | 3.2  | 91.4                      | 3.6            | D-1               | SH        | 100.33 | 12.70 | 41.28 | 11.91              | 44.45       | 33.34 | 23.02          | 1.5 | PHP 2-B36-SH  |
|         |                   |                       |      | 86.4   | 3.4  | 96.5                      | 3.8            | D-1               | SH        | 105.41 | 12.70 | 41.28 | 11.91              | 44.45       | 33.34 | 23.02          | 1.8 | PHP 2-B38-SH  |
|         |                   |                       |      | 91.4   | 3.6  | 101.6                     | 4.0            | A-1               | SH        | 110.49 | 12.70 | 41.28 | 0.79               | 44.45       | 33.34 | 10.32          | 1.9 | PHP 2-B40-SH  |
|         |                   |                       |      | 96.5   | 3.8  | 106.7                     | 4.2            | A-1               | SH        | 115.57 | 12.70 | 41.28 | 0.79               | 44.45       | 33.34 | 10.32          | 2.0 | PHP 2-B42-SH  |
|         |                   |                       |      | 101.6  | 4.0  | 111.8                     | 4.4            | A-1               | SH        | 120.65 | 12.70 | 41.28 | 0.79               | 44.45       | 33.34 | 10.32          | 2.1 | PHP 2-B44-SH  |
|         |                   |                       |      | 106.7  | 4.2  | 116.8                     | 4.6            | A-1               | SDS       | 125.73 | 12.70 | 50.80 | 0.79               | 44.45       | 33.34 | 10.32          | 2.3 | PHP 2-B46-SDS |
|         |                   |                       |      | 111.8  | 4.4  | 121.9                     | 4.8            | A-1               | SDS       | 130.81 | 12.70 | 50.80 | 0.79               | 44.45       | 33.34 | 10.32          | 2.5 | PHP 2-B48-SDS |
|         |                   |                       |      | 116.8  | 4.6  | 127.0                     | 5.0            | A-1               | SDS       | 135.89 | 12.70 | 50.80 | 0.79               | 44.45       | 33.34 | 10.32          | 2.7 | PHP 2-B50-SDS |
|         |                   |                       |      | 121.9  | 4.8  | 132.1                     | 5.2            | A-1               | SDS       | 140.97 | 12.70 | 50.80 | 0.79               | 44.45       | 33.34 | 10.32          | 2.9 | PHP 2-B52-SDS |
| 127.0   | 5.0               |                       |      | 137.2  | 5.4  | A-1                       | SDS            | 146.05            | 12.70     | 50.80  | 0.79  | 44.45 | 33.34              | 10.32       | 3.0   | PHP 2-B54-SDS  |     |               |
| 132.1   | 5.2               |                       |      | 142.2  | 5.6  | A-2                       | SDS            | 151.13            | 12.70     | 50.80  | 0.79  | 44.45 | 33.34              | 10.32       | 3.1   | PHP 2-B56-SDS  |     |               |
| 137.2   | 5.4               |                       |      | 147.3  | 5.8  | A-2                       | SDS            | 156.21            | 12.70     | 50.80  | 0.79  | 44.45 | 33.34              | 10.32       | 3.3   | PHP 2-B58-SDS  |     |               |
| 142.2   | 5.6               |                       |      | 152.4  | 6.0  | A-2                       | SDS            | 161.29            | 12.70     | 50.80  | 0.79  | 44.45 | 33.34              | 10.32       | 3.4   | PHP 2-B60-SDS  |     |               |
| 147.3   | 5.8               |                       |      | 157.5  | 6.2  | A-2                       | SDS            | 166.37            | 12.70     | 50.80  | 0.79  | 44.45 | 33.34              | 10.32       | 3.5   | PHP 2-B62-SDS  |     |               |
| 152.4   | 6.0               |                       |      | 162.6  | 6.4  | A-2                       | SDS            | 171.45            | 12.70     | 50.80  | 0.79  | 44.45 | 33.34              | 10.32       | 3.7   | PHP 2-B64-SDS  |     |               |
| 157.5   | 6.2               |                       |      | 167.6  | 6.6  | A-2                       | SDS            | 176.53            | 12.70     | 50.80  | 0.79  | 44.45 | 33.34              | 10.32       | 3.9   | PHP 2-B66-SDS  |     |               |
| 162.6   | 6.4               |                       |      | 172.7  | 6.8  | A-3                       | SDS            | 181.61            | 12.70     | 50.80  | 0.79  | 44.45 | 33.34              | 10.32       | 4.1   | PHP 2-B68-SDS  |     |               |
| 167.6   | 6.6               |                       |      | 177.8  | 7.0  | D-1                       | SK             | 186.69            | 12.70     | 66.68  | 8.73  | 44.45 | 49.21              | 3.97        | 4.2   | PHP 2-B70-SK   |     |               |
| 177.8   | 7.0               |                       |      | 188.0  | 7.4  | D-3                       | SK             | 196.85            | 12.70     | 66.68  | 8.73  | 44.45 | 49.21              | 3.97        | 4.8   | PHP 2-B74-SK   |     |               |
| 193.0   | 7.6               |                       |      | 203.2  | 8.0  | D-3                       | SK             | 212.09            | 12.70     | 66.68  | 8.73  | 44.45 | 49.21              | 3.97        | 5.0   | PHP 2-B80-SK   |     |               |
| 208.3   | 8.2               |                       |      | 218.4  | 8.6  | D-3                       | SK             | 227.33            | 12.70     | 66.68  | 8.73  | 44.45 | 49.21              | 3.97        | 5.3   | PHP 2-B86-SK   |     |               |
| 228.6   | 9.0               |                       |      | 238.8  | 9.4  | D-3                       | SK             | 247.65            | 12.70     | 66.68  | 8.73  | 44.45 | 49.21              | 3.97        | 5.9   | PHP 2-B94-SK   |     |               |
| 269.2   | 10.6              |                       |      | 279.4  | 11.0 | D-3                       | SK             | 288.29            | 12.70     | 66.68  | 8.73  | 44.45 | 49.21              | 3.97        | 6.4   | PHP 2-B110-SK  |     |               |

<sup>1)</sup> Please, note that 1 in pulley type stands for solid version, 2 for web version and 3 for arm/spoke version.  
<sup>2)</sup> Mass does not include bushings.

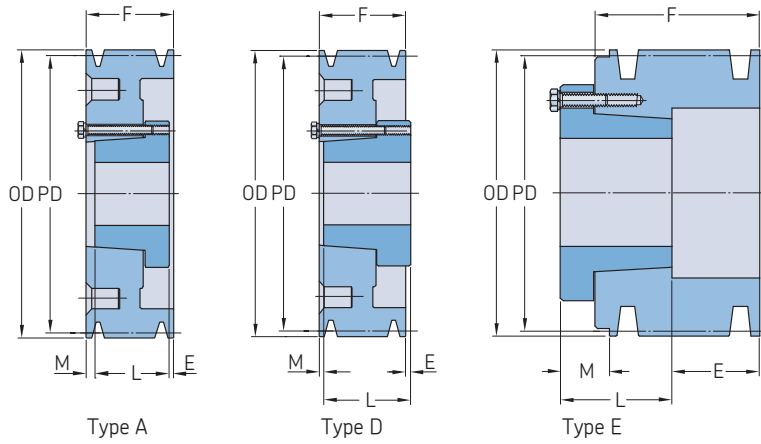
# Classical V-belt pulleys

A/B QD bushed

| Section | Number of grooves | Pitch diameter Belt A |      | Belt B |      | Pulley type <sup>1)</sup> | Bushing number | Dimensions        |           |        |       |       | Mass <sup>2)</sup> | Designation |       |               |     |              |
|---------|-------------------|-----------------------|------|--------|------|---------------------------|----------------|-------------------|-----------|--------|-------|-------|--------------------|-------------|-------|---------------|-----|--------------|
|         |                   | PD                    |      | PD     |      |                           |                | Outer diameter OD | Bore Min. | Max.   | E     | F     |                    |             | L     | M             |     |              |
| -       | -                 | mm                    | in.  | mm     | in.  | -                         | -              | mm                |           |        |       |       |                    | kg          | -     |               |     |              |
| A/B     | 2                 | 304,8                 | 12.0 | 315,0  | 12.4 | D-3                       | SK             | 323,85            | 12,70     | 66,68  | 8,73  | 44,45 | 49,21              | 3,97        | 8,2   | PHP 2-B124-SK |     |              |
|         |                   | 335,3                 | 13.2 | 345,4  | 13.6 | D-3                       | SK             | 354,33            | 12,70     | 66,68  | 8,73  | 44,45 | 49,21              | 3,97        | 9,1   | PHP 2-B136-SK |     |              |
|         |                   | 381,0                 | 15.0 | 391,2  | 15.4 | D-3                       | SK             | 400,05            | 12,70     | 66,68  | 8,73  | 44,45 | 49,21              | 3,97        | 10,4  | PHP 2-B154-SK |     |              |
|         |                   | 396,2                 | 15.6 | 406,4  | 16.0 | D-3                       | SK             | 415,29            | 12,70     | 66,68  | 8,73  | 44,45 | 49,21              | 3,97        | 10,9  | PHP 2-B160-SK |     |              |
|         |                   | 457,2                 | 18.0 | 467,4  | 18.4 | D-3                       | SK             | 476,25            | 12,70     | 66,68  | 8,73  | 44,45 | 49,21              | 3,97        | 13,2  | PHP 2-B184-SK |     |              |
|         |                   | 497,8                 | 19.6 | 508,0  | 20.0 | D-3                       | SF             | 516,89            | 12,70     | 74,61  | 11,91 | 44,45 | 52,39              | 3,97        | 15,0  | PHP 2-B200-SF |     |              |
|         |                   | 624,8                 | 24.6 | 635,0  | 25.0 | D-3                       | SF             | 643,89            | 12,70     | 74,61  | 11,91 | 44,45 | 52,39              | 3,97        | 18,6  | PHP 2-B250-SF |     |              |
|         |                   | 751,8                 | 29.6 | 762,0  | 30.0 | D-3                       | SF             | 770,89            | 12,70     | 74,61  | 11,91 | 44,45 | 52,39              | 3,97        | 23,1  | PHP 2-B300-SF |     |              |
|         |                   | 955,0                 | 37.6 | 965,2  | 38.0 | D-3                       | SF             | 974,09            | 12,70     | 74,61  | 11,91 | 44,45 | 52,39              | 3,97        | 29,0  | PHP 2-B380-SF |     |              |
|         |                   | A/B                   | 3    | 76,2   | 3.0  | 86,4                      | 3.4            | E-1               | SH        | 95,25  | 12,70 | 41,28 | 30,96              | 63,50       | 33,34 | 16,67         | 2,0 | PHP 3-B34-SH |
|         |                   |                       |      | 81,3   | 3.2  | 91,4                      | 3.6            | D-1               | SH        | 100,33 | 12,70 | 41,28 | 11,91              | 63,50       | 33,34 | 42,07         | 2,1 | PHP 3-B36-SH |
|         |                   |                       |      | 86,4   | 3.4  | 96,5                      | 3.8            | D-1               | SH        | 105,41 | 12,70 | 41,28 | 11,91              | 63,50       | 33,34 | 42,07         | 2,4 | PHP 3-B38-SH |
|         |                   |                       |      | 91,4   | 3.6  | 101,6                     | 4.0            | D-1               | SH        | 110,49 | 12,70 | 41,28 | 11,91              | 63,50       | 33,34 | 42,07         | 2,5 | PHP 3-B40-SH |
|         |                   |                       |      | 96,5   | 3.8  | 106,7                     | 4.2            | D-1               | SH        | 115,57 | 12,70 | 41,28 | 11,91              | 63,50       | 33,34 | 42,07         | 2,7 | PHP 3-B42-SH |
| 101,6   | 4.0               |                       |      | 111,8  | 4.4  | D-1                       | SH             | 120,65            | 12,70     | 41,28  | 11,91 | 63,50 | 33,34              | 42,07       | 2,9   | PHP 3-B44-SH  |     |              |
| 106,7   | 4.2               |                       |      | 116,8  | 4.6  | A-1                       | SD             | 125,73            | 12,70     | 50,80  | 10,32 | 63,50 | 46,04              | 7,14        | 3,0   | PHP 3-B46-SD  |     |              |
| 111,8   | 4.4               |                       |      | 121,9  | 4.8  | A-1                       | SD             | 130,81            | 12,70     | 50,80  | 10,32 | 63,50 | 46,04              | 7,14        | 3,2   | PHP 3-B48-SD  |     |              |
| 116,8   | 4.6               |                       |      | 127,0  | 5.0  | A-1                       | SD             | 135,89            | 12,70     | 50,80  | 10,32 | 63,50 | 46,04              | 7,14        | 3,4   | PHP 3-B50-SD  |     |              |
| 121,9   | 4.8               |                       |      | 132,1  | 5.2  | A-1                       | SD             | 140,97            | 12,70     | 50,80  | 10,32 | 63,50 | 46,04              | 7,14        | 3,5   | PHP 3-B52-SD  |     |              |
| 127,0   | 5.0               |                       |      | 137,2  | 5.4  | A-1                       | SD             | 146,05            | 12,70     | 50,80  | 10,32 | 63,50 | 46,04              | 7,14        | 3,7   | PHP 3-B54-SD  |     |              |
| 132,1   | 5.2               |                       |      | 142,2  | 5.6  | A-1                       | SD             | 151,13            | 12,70     | 50,80  | 10,32 | 63,50 | 46,04              | 7,14        | 3,9   | PHP 3-B56-SD  |     |              |
| 137,2   | 5.4               |                       |      | 147,3  | 5.8  | A-1                       | SD             | 156,21            | 12,70     | 50,80  | 10,32 | 63,50 | 46,04              | 7,14        | 4,0   | PHP 3-B58-SD  |     |              |
| 142,2   | 5.6               |                       |      | 152,4  | 6.0  | A-1                       | SD             | 161,29            | 12,70     | 50,80  | 10,32 | 63,50 | 46,04              | 7,14        | 4,1   | PHP 3-B60-SD  |     |              |
| 147,3   | 5.8               |                       |      | 157,5  | 6.2  | A-1                       | SD             | 166,37            | 12,70     | 50,80  | 10,32 | 63,50 | 46,04              | 7,14        | 4,3   | PHP 3-B62-SD  |     |              |
| 152,4   | 6.0               |                       |      | 162,6  | 6.4  | A-1                       | SD             | 171,45            | 12,70     | 50,80  | 10,32 | 63,50 | 46,04              | 7,14        | 4,4   | PHP 3-B64-SD  |     |              |
| 157,5   | 6.2               |                       |      | 167,6  | 6.6  | A-1                       | SD             | 176,53            | 12,70     | 50,80  | 10,32 | 63,50 | 46,04              | 7,14        | 4,5   | PHP 3-B66-SD  |     |              |
| 162,6   | 6.4               |                       |      | 172,7  | 6.8  | B-3                       | SD             | 181,61            | 12,70     | 50,80  | 10,32 | 63,50 | 46,04              | 7,14        | 4,8   | PHP 3-B68-SD  |     |              |
| 167,6   | 6.6               |                       |      | 177,8  | 7.0  | D-1                       | SK             | 186,69            | 12,70     | 66,68  | 2,38  | 63,50 | 49,21              | 16,67       | 5,0   | PHP 3-B70-SK  |     |              |
| 177,8   | 7.0               |                       |      | 188,0  | 7.4  | D-3                       | SK             | 196,85            | 12,70     | 66,68  | 2,38  | 63,50 | 49,21              | 16,67       | 5,4   | PHP 3-B74-SK  |     |              |
| 193,0   | 7.6               |                       |      | 203,2  | 8.0  | D-3                       | SK             | 212,09            | 12,70     | 66,68  | 2,38  | 63,50 | 49,21              | 16,67       | 5,7   | PHP 3-B80-SK  |     |              |
| 208,3   | 8.2               |                       |      | 218,4  | 8.6  | D-3                       | SK             | 227,33            | 12,70     | 66,68  | 2,38  | 63,50 | 49,21              | 16,67       | 5,9   | PHP 3-B86-SK  |     |              |
| 228,6   | 9.0               |                       |      | 238,8  | 9.4  | D-3                       | SK             | 247,65            | 12,70     | 66,68  | 2,38  | 63,50 | 49,21              | 16,67       | 7,3   | PHP 3-B94-SK  |     |              |
| 269,2   | 10.6              |                       |      | 279,4  | 11.0 | D-3                       | SK             | 288,29            | 12,70     | 66,68  | 2,38  | 63,50 | 49,21              | 16,67       | 8,6   | PHP 3-B110-SK |     |              |
| 304,8   | 12.0              |                       |      | 315,0  | 12.4 | D-3                       | SK             | 323,85            | 12,70     | 66,68  | 2,38  | 63,50 | 49,21              | 16,67       | 10,9  | PHP 3-B124-SK |     |              |
| 335,3   | 13.2              |                       |      | 345,4  | 13.6 | D-3                       | SK             | 354,33            | 12,70     | 66,68  | 2,38  | 63,50 | 49,21              | 16,67       | 12,3  | PHP 3-B136-SK |     |              |
| 381,0   | 15.0              |                       |      | 391,2  | 15.4 | D-3                       | SK             | 400,05            | 12,70     | 66,68  | 2,38  | 63,50 | 49,21              | 16,67       | 13,6  | PHP 3-B154-SK |     |              |
| 396,2   | 15.6              |                       |      | 406,4  | 16.0 | D-3                       | SK             | 415,29            | 12,70     | 66,68  | 2,38  | 63,50 | 49,21              | 16,67       | 15,0  | PHP 3-B160-SK |     |              |
| 457,2   | 18.0              |                       |      | 467,4  | 18.4 | D-3                       | SK             | 476,25            | 12,70     | 66,68  | 2,38  | 63,50 | 49,21              | 16,67       | 17,2  | PHP 3-B184-SK |     |              |
| 497,8   | 19.6              |                       |      | 508,0  | 20.0 | D-3                       | SF             | 516,89            | 12,70     | 74,61  | 5,56  | 63,50 | 52,39              | 16,67       | 19,5  | PHP 3-B200-SF |     |              |
| 624,8   | 24.6              |                       |      | 635,0  | 25.0 | D-3                       | SF             | 643,89            | 12,70     | 74,61  | 5,56  | 63,50 | 52,39              | 16,67       | 24,5  | PHP 3-B250-SF |     |              |
| 751,8   | 29.6              |                       |      | 762,0  | 30.0 | D-3                       | SF             | 770,89            | 12,70     | 74,61  | 5,56  | 63,50 | 52,39              | 16,67       | 30,4  | PHP 3-B300-SF |     |              |
| 955,0   | 37.6              |                       |      | 965,2  | 38.0 | D-3                       | E              | 974,09            | 22,23     | 88,90  | 13,49 | 63,50 | 69,85              | 7,14        | 40,8  | PHP 3-B380-E  |     |              |
| A/B     | 4                 |                       |      | 76,2   | 3.0  | 86,4                      | 3.4            | E-1               | SD        | 95,25  | 12,70 | 50,80 | 62,71              | 82,55       | 46,04 | 26,19         | 2,5 | PHP 4-B34-SD |
|         |                   |                       |      | 81,3   | 3.2  | 91,4                      | 3.6            | E-1               | SD        | 100,33 | 12,70 | 50,80 | 62,71              | 82,55       | 46,04 | 26,19         | 2,6 | PHP 4-B36-SD |
|         |                   |                       |      | 86,4   | 3.4  | 96,5                      | 3.8            | E-1               | SD        | 105,41 | 12,70 | 50,80 | 62,71              | 82,55       | 46,04 | 26,19         | 2,8 | PHP 4-B38-SD |
|         |                   |                       |      | 91,4   | 3.6  | 101,6                     | 4.0            | E-1               | SD        | 110,49 | 12,70 | 50,80 | 52,39              | 82,55       | 46,04 | 16,67         | 3,0 | PHP 4-B40-SD |
|         |                   |                       |      | 96,5   | 3.8  | 106,7                     | 4.2            | E-1               | SD        | 115,57 | 12,70 | 50,80 | 52,39              | 82,55       | 46,04 | 16,67         | 3,1 | PHP 4-B42-SD |
|         |                   |                       |      | 101,6  | 4.0  | 111,8                     | 4.4            | E-1               | SD        | 120,65 | 12,70 | 50,80 | 52,39              | 82,55       | 46,04 | 16,67         | 3,3 | PHP 4-B44-SD |
|         |                   |                       |      | 106,7  | 4.2  | 116,8                     | 4.6            | A-1               | SD        | 125,73 | 12,70 | 50,80 | 16,67              | 82,55       | 46,04 | 19,84         | 3,5 | PHP 4-B46-SD |
|         |                   |                       |      | 111,8  | 4.4  | 121,9                     | 4.8            | A-1               | SD        | 130,81 | 12,70 | 50,80 | 16,67              | 82,55       | 46,04 | 19,84         | 3,6 | PHP 4-B48-SD |
|         |                   |                       |      | 116,8  | 4.6  | 127,0                     | 5.0            | A-1               | SD        | 135,89 | 12,70 | 50,80 | 16,67              | 82,55       | 46,04 | 19,84         | 3,8 | PHP 4-B50-SD |
|         |                   |                       |      | 121,9  | 4.8  | 132,1                     | 5.2            | A-1               | SD        | 140,97 | 12,70 | 50,80 | 16,67              | 82,55       | 46,04 | 19,84         | 3,9 | PHP 4-B52-SD |
|         |                   |                       |      | 127,0  | 5.0  | 137,2                     | 5.4            | A-1               | SD        | 146,05 | 12,70 | 50,80 | 16,67              | 82,55       | 46,04 | 19,84         | 4,2 | PHP 4-B54-SD |
|         |                   |                       |      | 132,1  | 5.2  | 142,2                     | 5.6            | A-1               | SD        | 151,13 | 12,70 | 50,80 | 16,67              | 82,55       | 46,04 | 19,84         | 4,4 | PHP 4-B56-SD |
|         |                   | 137,2                 | 5.4  | 147,3  | 5.8  | A-1                       | SD             | 156,21            | 12,70     | 50,80  | 16,67 | 82,55 | 46,04              | 19,84       | 4,5   | PHP 4-B58-SD  |     |              |
|         |                   | 142,2                 | 5.6  | 152,4  | 6.0  | A-1                       | SD             | 161,29            | 12,70     | 50,80  | 16,67 | 82,55 | 46,04              | 19,84       | 4,7   | PHP 4-B60-SD  |     |              |
|         |                   | 147,3                 | 5.8  | 157,5  | 6.2  | A-1                       | SD             | 166,37            | 12,70     | 50,80  | 16,67 | 82,55 | 46,04              | 19,84       | 4,9   | PHP 4-B62-SD  |     |              |
|         |                   | 152,4                 | 6.0  | 162,6  | 6.4  | A-1                       | SD             | 171,45            | 12,70     | 50,80  | 16,67 | 82,55 | 46,04              | 19,84       | 5,4   | PHP 4-B64-SD  |     |              |
|         |                   | 157,5                 | 6.2  | 167,6  | 6.6  | A-1                       | SD             | 176,53            | 12,70     | 50,80  | 16,67 | 82,55 | 46,04              | 19,84       | 5,6   | PHP 4-B66-SD  |     |              |
|         |                   | 162,6                 | 6.4  | 172,7  | 6.8  | A-3                       | SD             | 181,61            | 12,70     | 50,80  | 16,67 | 82,55 | 46,04              | 19,84       | 5,9   | PHP 4-B68-SD  |     |              |
|         |                   | 167,6                 | 6.6  | 177,8  | 7.0  | A-1                       | SK             | 186,69            | 12,70     | 66,68  | 5,56  | 82,55 | 49,21              | 26,99       | 6,1   | PHP 4-B70-SK  |     |              |
|         |                   | 177,8                 | 7.0  | 188,0  | 7.4  | A-3                       | SK             | 196,85            | 12,70     | 66,68  | 5,56  | 82,55 | 49,21              | 26,99       | 6,4   | PHP 4-B74-SK  |     |              |
|         |                   | 193,0                 | 7.6  | 203,2  | 8.0  | A-3                       | SK             | 212,09            | 12,70     | 66,68  | 5,56  | 82,55 | 49,21              | 26,99       | 7,0   | PHP 4-B80-SK  |     |              |
|         |                   | 208,3                 | 8.2  | 218,4  | 8.6  | A-3                       | SK             | 227,33            | 12,70     | 66,68  | 5,56  | 82,55 | 49,21              | 26,99       | 7,7   | PHP 4-B86-SK  |     |              |
|         |                   | 228,6                 | 9.0  | 238,8  | 9.4  | A-3                       | SK             | 247,65            | 12,70     | 66,68  | 5,56  | 82,55 | 49,21              | 26,99       | 8,6   | PHP 4-B94-SK  |     |              |
|         |                   | 269,2                 | 10.6 | 279,4  | 11.0 | A-3                       | SK             | 288,29            | 12,70     | 66,68  | 5,56  | 82,55 | 49,21              | 26,99       | 10,0  | PHP 4-B110-SK |     |              |
|         |                   | 304,8                 | 12.0 | 315,0  | 12.4 | A-3                       | SK             | 323,85            | 12,70     | 66,68  | 5,56  | 82,55 | 49,21              | 26,99       | 13,2  | PHP 4-B124-SK |     |              |
|         |                   | 335,3                 | 13.2 | 345,4  | 13.6 | A-3                       | SK             | 354,33            | 12,70     | 66,68  | 5,56  | 82,55 | 49,21              | 26,99       | 15,4  | PHP 4-B136-SK |     |              |
|         |                   | 381,0                 | 15.0 | 391,2  | 15.4 | A-3                       | SF             | 400,05            | 12,70     | 74,61  | 3,97  | 82,55 | 52,39              | 26,19       | 17,7  | PHP 4-B154-SF |     |              |
|         |                   | 396,2                 | 15.6 | 406,4  | 16.0 | A-3                       | SF             | 415,29            | 12,70     | 74,61  | 3,97  | 82,55 | 52,39              | 26,19       | 19,1  | PHP 4-B160-SF |     |              |
|         |                   | 457,2                 | 18.0 | 467,4  | 18.4 | A-3                       | SF             | 476,25            | 12,70     | 74,61  | 3,97  | 82,55 | 52,39              | 26,19       | 21,3  | PHP 4-B184-SF |     |              |
|         |                   | 497,8                 | 19.6 | 508,0  | 20.0 | A-3                       | SF             | 516,89            | 12,70     | 74,61  | 3,97  | 82,55 | 52,39              | 26,19       | 23,1  | PHP 4-B200-SF |     |              |
|         |                   | 624,8                 | 24.6 | 635,0  | 25.0 | D-3                       | E              | 643,89            | 22,23     | 88,90  | 3,97  | 82,55 | 69,8               |             |       |               |     |              |

# Classical V-belt pulleys

A/B QD bushed



| Section | Number of grooves | Pitch diameter Belt A |      | Belt B |      | Pulley type <sup>1)</sup> | Bushing number | Dimensions        |           |        |        |        | Mass <sup>2)</sup> | Designation  |      |               |
|---------|-------------------|-----------------------|------|--------|------|---------------------------|----------------|-------------------|-----------|--------|--------|--------|--------------------|--------------|------|---------------|
|         |                   | PD                    | PD   | PD     | PD   |                           |                | Outer diameter OD | Bore Min. | Max.   | E      | F      |                    |              | L    | M             |
| -       | -                 | mm                    | in.  | mm     | in.  | -                         | -              | mm                |           |        |        |        | kg                 | -            |      |               |
| A/B     | 4                 | 751,8                 | 29,6 | 762,0  | 30,0 | D-3                       | E              | 770,89            | 22,23     | 88,90  | 3,97   | 82,55  | 69,85              | 16,67        | 39,0 | PHP 4-B300-E  |
|         |                   | 955,0                 | 37,6 | 965,2  | 38,0 | D-3                       | E              | 974,09            | 22,23     | 88,90  | 3,97   | 82,55  | 69,85              | 16,67        | 49,4 | PHP 4-B380-E  |
| A/B     | 5                 | 76,2                  | 3,0  | 86,4   | 3,4  | E-1                       | SD             | 95,25             | 12,70     | 50,80  | 81,76  | 101,60 | 46,04              | 26,19        | 2,8  | PHP 5-B34-SD  |
|         |                   | 81,3                  | 3,2  | 91,4   | 3,6  | E-1                       | SD             | 100,33            | 12,70     | 50,80  | 81,76  | 101,60 | 46,04              | 26,19        | 3,0  | PHP 5-B36-SD  |
|         |                   | 86,4                  | 3,4  | 96,5   | 3,8  | E-1                       | SD             | 105,41            | 12,70     | 50,80  | 81,76  | 101,60 | 46,04              | 26,19        | 3,2  | PHP 5-B38-SD  |
|         |                   | 91,4                  | 3,6  | 101,6  | 4,0  | E-1                       | SD             | 110,49            | 12,70     | 50,80  | 72,23  | 101,60 | 46,04              | 16,67        | 3,4  | PHP 5-B40-SD  |
|         |                   | 96,5                  | 3,8  | 106,7  | 4,2  | E-1                       | SD             | 115,57            | 12,70     | 50,80  | 72,23  | 101,60 | 46,04              | 16,67        | 3,6  | PHP 5-B42-SD  |
|         |                   | 101,6                 | 4,0  | 111,8  | 4,4  | E-1                       | SD             | 120,65            | 12,70     | 50,80  | 72,23  | 101,60 | 46,04              | 16,67        | 3,9  | PHP 5-B44-SD  |
|         |                   | 106,7                 | 4,2  | 116,8  | 4,6  | A-1                       | SD             | 125,73            | 12,70     | 50,80  | 67,47  | 101,60 | 46,04              | 38,89        | 4,1  | PHP 5-B46-SD  |
|         |                   | 111,8                 | 4,4  | 121,9  | 4,8  | A-1                       | SD             | 130,81            | 12,70     | 50,80  | 67,47  | 101,60 | 46,04              | 38,89        | 4,3  | PHP 5-B48-SD  |
|         |                   | 116,8                 | 4,6  | 127,0  | 5,0  | A-1                       | SD             | 135,89            | 12,70     | 50,80  | 67,47  | 101,60 | 46,04              | 38,89        | 4,5  | PHP 5-B50-SD  |
|         |                   | 121,9                 | 4,8  | 132,1  | 5,2  | A-1                       | SD             | 140,97            | 12,70     | 50,80  | 67,47  | 101,60 | 46,04              | 38,89        | 4,7  | PHP 5-B52-SD  |
|         |                   | 127,0                 | 5,0  | 137,2  | 5,4  | A-1                       | SK             | 146,05            | 12,70     | 66,68  | 13,49  | 101,60 | 49,21              | 38,89        | 4,9  | PHP 5-B54-SK  |
|         |                   | 132,1                 | 5,2  | 142,2  | 5,6  | A-1                       | SK             | 151,13            | 12,70     | 66,68  | 13,49  | 101,60 | 49,21              | 38,89        | 5,1  | PHP 5-B56-SK  |
|         |                   | 137,2                 | 5,4  | 147,3  | 5,8  | A-1                       | SK             | 156,21            | 12,70     | 66,68  | 13,49  | 101,60 | 49,21              | 38,89        | 5,4  | PHP 5-B58-SK  |
|         |                   | 142,2                 | 5,6  | 152,4  | 6,0  | A-1                       | SK             | 161,29            | 12,70     | 66,68  | 13,49  | 101,60 | 49,21              | 38,89        | 6,4  | PHP 5-B60-SK  |
|         |                   | 147,3                 | 5,8  | 157,5  | 6,2  | A-1                       | SK             | 166,37            | 12,70     | 66,68  | 13,49  | 101,60 | 49,21              | 38,89        | 6,8  | PHP 5-B62-SK  |
|         |                   | 152,4                 | 6,0  | 162,6  | 6,4  | A-1                       | SK             | 171,45            | 12,70     | 66,68  | 13,49  | 101,60 | 49,21              | 38,89        | 7,3  | PHP 5-B64-SK  |
|         |                   | 157,5                 | 6,2  | 167,6  | 6,6  | A-1                       | SK             | 176,53            | 12,70     | 66,68  | 13,49  | 101,60 | 49,21              | 38,89        | 7,7  | PHP 5-B66-SK  |
|         |                   | 162,6                 | 6,4  | 172,7  | 6,8  | A-1                       | SK             | 181,61            | 12,70     | 66,68  | 13,49  | 101,60 | 49,21              | 38,89        | 8,2  | PHP 5-B68-SK  |
|         |                   | 167,6                 | 6,6  | 177,8  | 7,0  | A-1                       | SF             | 186,69            | 12,70     | 74,61  | 11,91  | 101,60 | 52,39              | 37,31        | 8,6  | PHP 5-B70-SF  |
|         |                   | 177,8                 | 7,0  | 188,0  | 7,4  | A-2                       | SF             | 196,85            | 12,70     | 74,61  | 11,91  | 101,60 | 52,39              | 37,31        | 9,1  | PHP 5-B74-SF  |
|         |                   | 193,0                 | 7,6  | 203,2  | 8,0  | A-2                       | SF             | 212,09            | 12,70     | 74,61  | 11,91  | 101,60 | 52,39              | 37,31        | 9,5  | PHP 5-B80-SF  |
|         |                   | 208,3                 | 8,2  | 218,4  | 8,6  | A-2                       | SF             | 227,33            | 12,70     | 74,61  | 11,91  | 101,60 | 52,39              | 37,31        | 10,0 | PHP 5-B86-SF  |
|         |                   | 228,6                 | 9,0  | 238,8  | 9,4  | A-3                       | SF             | 247,65            | 12,70     | 74,61  | 11,91  | 101,60 | 52,39              | 37,31        | 10,9 | PHP 5-B94-SF  |
|         |                   | 269,2                 | 10,6 | 279,4  | 11,0 | A-3                       | SF             | 288,29            | 12,70     | 74,61  | 11,91  | 101,60 | 52,39              | 37,31        | 13,2 | PHP 5-B110-SF |
|         |                   | 304,8                 | 12,0 | 315,0  | 12,4 | A-3                       | SF             | 323,85            | 12,70     | 74,61  | 11,91  | 101,60 | 52,39              | 37,31        | 15,4 | PHP 5-B124-SF |
|         |                   | 335,3                 | 13,2 | 345,4  | 13,6 | A-3                       | SF             | 354,33            | 12,70     | 74,61  | 11,91  | 101,60 | 52,39              | 37,31        | 17,2 | PHP 5-B136-SF |
|         |                   | 381,0                 | 15,0 | 391,2  | 15,4 | A-3                       | SF             | 400,05            | 12,70     | 74,61  | 11,91  | 101,60 | 52,39              | 37,31        | 20,9 | PHP 5-B154-SF |
|         |                   | 396,2                 | 15,6 | 406,4  | 16,0 | A-3                       | SF             | 415,29            | 12,70     | 74,61  | 11,91  | 101,60 | 52,39              | 37,31        | 22,2 | PHP 5-B160-SF |
|         |                   | 457,2                 | 18,0 | 467,4  | 18,4 | A-3                       | SF             | 476,25            | 12,70     | 74,61  | 11,91  | 101,60 | 52,39              | 37,31        | 25,0 | PHP 5-B184-SF |
|         |                   | 497,8                 | 19,6 | 508,0  | 20,0 | A-3                       | E              | 516,89            | 22,23     | 12,70  | 1,59   | 101,60 | 69,85              | 29,37        | 29,5 | PHP 5-B200-E  |
|         |                   | 624,8                 | 24,6 | 635,0  | 25,0 | A-3                       | E              | 643,89            | 22,23     | 12,70  | 1,59   | 101,60 | 69,85              | 29,37        | 39,0 | PHP 5-B250-E  |
|         |                   | 751,8                 | 29,6 | 762,0  | 30,0 | A-3                       | E              | 770,89            | 22,23     | 12,70  | 1,59   | 101,60 | 69,85              | 29,37        | 46,3 | PHP 5-B300-E  |
| 955,0   | 37,6              | 965,2                 | 38,0 | A-3    | E    | 974,09                    | 22,23          | 12,70             | 1,59      | 101,60 | 69,85  | 29,37  | 59,9               | PHP 5-B380-E |      |               |
| A/B     | 6                 | 76,2                  | 3,0  | 86,4   | 3,4  | E-1                       | SD             | 95,25             | 12,70     | 50,80  | 100,81 | 120,65 | 46,04              | 26,19        | 3,0  | PHP 6-B34-SD  |
|         |                   | 81,3                  | 3,2  | 91,4   | 3,6  | E-1                       | SD             | 100,33            | 12,70     | 50,80  | 100,81 | 120,65 | 46,04              | 26,19        | 3,4  | PHP 6-B36-SD  |
|         |                   | 86,4                  | 3,4  | 96,5   | 3,8  | E-1                       | SD             | 105,41            | 12,70     | 50,80  | 100,81 | 120,65 | 46,04              | 26,19        | 3,6  | PHP 6-B38-SD  |
|         |                   | 91,4                  | 3,6  | 101,6  | 4,0  | E-1                       | SD             | 110,49            | 12,70     | 50,80  | 91,28  | 120,65 | 46,04              | 16,67        | 3,8  | PHP 6-B40-SD  |
|         |                   | 96,5                  | 3,8  | 106,7  | 4,2  | E-1                       | SD             | 115,57            | 12,70     | 50,80  | 91,28  | 120,65 | 46,04              | 16,67        | 4,1  | PHP 6-B42-SD  |
|         |                   | 101,6                 | 4,0  | 111,8  | 4,4  | E-1                       | SD             | 120,65            | 12,70     | 50,80  | 91,28  | 120,65 | 46,04              | 16,67        | 4,4  | PHP 6-B44-SD  |
|         |                   | 106,7                 | 4,2  | 116,8  | 4,6  | A-1                       | SD             | 125,73            | 12,70     | 50,80  | 16,67  | 120,65 | 46,04              | 57,94        | 4,6  | PHP 6-B46-SD  |
|         |                   | 111,8                 | 4,4  | 121,9  | 4,8  | A-1                       | SD             | 130,81            | 12,70     | 50,80  | 16,67  | 120,65 | 46,04              | 57,94        | 4,8  | PHP 6-B48-SD  |
|         |                   | 116,8                 | 4,6  | 127,0  | 5,0  | A-1                       | SD             | 135,89            | 12,70     | 50,80  | 16,67  | 120,65 | 46,04              | 57,94        | 5,0  | PHP 6-B50-SD  |
|         |                   | 121,9                 | 4,8  | 132,1  | 5,2  | A-1                       | SD             | 140,97            | 12,70     | 50,80  | 16,67  | 120,65 | 46,04              | 57,94        | 5,4  | PHP 6-B52-SD  |
|         |                   | 127,0                 | 5,0  | 137,2  | 5,4  | A-1                       | SK             | 146,05            | 12,70     | 66,68  | 13,49  | 120,65 | 49,21              | 57,94        | 5,9  | PHP 6-B54-SK  |
|         |                   | 132,1                 | 5,2  | 142,2  | 5,6  | A-1                       | SK             | 151,13            | 12,70     | 66,68  | 13,49  | 120,65 | 49,21              | 57,94        | 6,4  | PHP 6-B56-SK  |
|         |                   | 137,2                 | 5,4  | 147,3  | 5,8  | A-1                       | SK             | 156,21            | 12,70     | 66,68  | 13,49  | 120,65 | 49,21              | 57,94        | 6,6  | PHP 6-B58-SK  |
|         |                   | 142,2                 | 5,6  | 152,4  | 6,0  | A-1                       | SK             | 161,29            | 12,70     | 66,68  | 13,49  | 120,65 | 49,21              | 57,94        | 6,8  | PHP 6-B60-SK  |
|         |                   | 147,3                 | 5,8  | 157,5  | 6,2  | A-1                       | SK             | 166,37            | 12,70     | 66,68  | 13,49  | 120,65 | 49,21              | 57,94        | 7,3  | PHP 6-B62-SK  |
|         |                   | 152,4                 | 6,0  | 162,6  | 6,4  | A-1                       | SK             | 171,45            | 12,70     | 66,68  | 13,49  | 120,65 | 49,21              | 57,94        | 7,7  | PHP 6-B64-SK  |
|         |                   | 157,5                 | 6,2  | 167,6  | 6,6  | A-1                       | SK             | 176,53            | 12,70     | 66,68  | 13,49  | 120,65 | 49,21              | 57,94        | 8,2  | PHP 6-B66-SK  |
|         |                   | 162,6                 | 6,4  | 172,7  | 6,8  | A-1                       | SK             | 181,61            | 12,70     | 66,68  | 13,49  | 120,65 | 49,21              | 57,94        | 8,6  | PHP 6-B68-SK  |

<sup>1)</sup> Please, note that 1 in pulley type stands for solid version, 2 for web version and 3 for arm/spoke version.  
<sup>2)</sup> Mass does not include bushings.

# Classical V-belt pulleys

A/B QD bushed

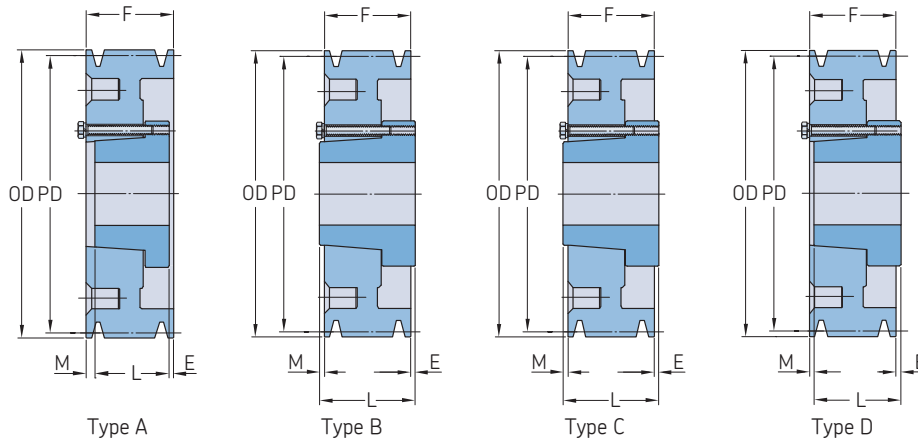
| Section | Number of grooves | Pitch diameter Belt A |      | Belt B |      | Pulley type <sup>1)</sup> | Bushing number | Dimensions        |           |        |       |        | Mass <sup>2)</sup> | Designation |       |               |      |               |
|---------|-------------------|-----------------------|------|--------|------|---------------------------|----------------|-------------------|-----------|--------|-------|--------|--------------------|-------------|-------|---------------|------|---------------|
|         |                   | PD                    | PD   | PD     | PD   |                           |                | Outer diameter OD | Bore Min. | Max.   | E     | F      |                    |             | L     | M             |      |               |
| -       | -                 | mm                    | in.  | mm     | in.  | -                         | -              | mm                |           |        |       |        |                    | kg          | -     |               |      |               |
| A/B     | 6                 | 167,6                 | 6,6  | 177,8  | 7,0  | A-1                       | SF             | 186,69            | 12,70     | 74,61  | 21,43 | 120,65 | 52,39              | 46,83       | 9,1   | PHP 6-B70-SF  |      |               |
|         |                   | 177,8                 | 7,0  | 188,0  | 7,4  | A-1                       | SF             | 196,85            | 12,70     | 74,61  | 21,43 | 120,65 | 52,39              | 46,83       | 10,0  | PHP 6-B74-SF  |      |               |
|         |                   | 193,0                 | 7,6  | 203,2  | 8,0  | A-2                       | SF             | 212,09            | 12,70     | 74,61  | 21,43 | 120,65 | 52,39              | 46,83       | 10,9  | PHP 6-B80-SF  |      |               |
|         |                   | 208,3                 | 8,2  | 218,4  | 8,6  | A-2                       | SF             | 227,33            | 12,70     | 74,61  | 21,43 | 120,65 | 52,39              | 46,83       | 11,8  | PHP 6-B86-SF  |      |               |
|         |                   | 228,6                 | 9,0  | 238,8  | 9,4  | A-3                       | SF             | 247,65            | 12,70     | 74,61  | 21,43 | 120,65 | 52,39              | 46,83       | 12,3  | PHP 6-B94-SF  |      |               |
|         |                   | 269,2                 | 10,6 | 279,4  | 11,0 | A-3                       | SF             | 288,29            | 12,70     | 74,61  | 21,43 | 120,65 | 52,39              | 46,83       | 14,5  | PHP 6-B110-SF |      |               |
|         |                   | 304,8                 | 12,0 | 315,0  | 12,4 | A-3                       | SF             | 323,85            | 12,70     | 74,61  | 21,43 | 120,65 | 52,39              | 46,83       | 17,7  | PHP 6-B124-SF |      |               |
|         |                   | 335,3                 | 13,2 | 345,4  | 13,6 | A-3                       | SF             | 354,33            | 12,70     | 74,61  | 21,43 | 120,65 | 52,39              | 46,83       | 20,0  | PHP 6-B136-SF |      |               |
|         |                   | 381,0                 | 15,0 | 391,2  | 15,4 | A-3                       | SF             | 400,05            | 12,70     | 74,61  | 21,43 | 120,65 | 52,39              | 46,83       | 22,7  | PHP 6-B154-SF |      |               |
|         |                   | 396,2                 | 15,6 | 406,4  | 16,0 | A-3                       | SF             | 415,29            | 12,70     | 74,61  | 21,43 | 120,65 | 52,39              | 46,83       | 24,5  | PHP 6-B160-SF |      |               |
|         |                   | 457,2                 | 18,0 | 467,4  | 18,4 | A-3                       | SF             | 476,25            | 12,70     | 74,61  | 21,43 | 120,65 | 52,39              | 46,83       | 28,1  | PHP 6-B184-SF |      |               |
|         |                   | 497,8                 | 19,6 | 508,0  | 20,0 | A-3                       | E              | 516,89            | 22,23     | 88,90  | 5,56  | 120,65 | 69,85              | 45,24       | 33,6  | PHP 6-B200-E  |      |               |
|         |                   | 624,8                 | 24,6 | 635,0  | 25,0 | A-3                       | E              | 643,89            | 22,23     | 88,90  | 5,56  | 120,65 | 69,85              | 45,24       | 43,5  | PHP 6-B250-E  |      |               |
|         |                   | 751,8                 | 29,6 | 762,0  | 30,0 | A-3                       | E              | 770,89            | 22,23     | 88,90  | 5,56  | 120,65 | 69,85              | 45,24       | 54,0  | PHP 6-B300-E  |      |               |
|         |                   | 955,0                 | 37,6 | 965,2  | 38,0 | A-3                       | E              | 974,09            | 22,23     | 88,90  | 5,56  | 120,65 | 69,85              | 45,24       | 60,8  | PHP 6-B380-E  |      |               |
|         |                   | A/B                   | 8    | 127,0  | 5,0  | 137,2                     | 5,4            | A-1               | SK        | 146,05 | 12,70 | 66,68  | 26,19              | 158,75      | 49,21 | 83,34         | 6,8  | PHP 8-B54-SK  |
|         |                   |                       |      | 132,1  | 5,2  | 142,2                     | 5,6            | A-1               | SK        | 151,13 | 12,70 | 66,68  | 26,19              | 158,75      | 49,21 | 83,34         | 7,3  | PHP 8-B56-SK  |
|         |                   |                       |      | 142,2  | 5,6  | 152,4                     | 6,0            | A-1               | SF        | 161,29 | 12,70 | 74,61  | 24,61              | 158,75      | 52,39 | 81,76         | 9,1  | PHP 8-B60-SF  |
|         |                   |                       |      | 152,4  | 6,0  | 162,6                     | 6,4            | A-1               | SF        | 171,45 | 12,70 | 74,61  | 24,61              | 158,75      | 52,39 | 81,76         | 10,4 | PHP 8-B64-SF  |
|         |                   |                       |      | 162,6  | 6,4  | 172,7                     | 6,8            | A-1               | SF        | 181,61 | 12,70 | 74,61  | 24,61              | 158,75      | 52,39 | 81,76         | 11,3 | PHP 8-B68-SF  |
| 177,8   | 7,0               |                       |      | 188,0  | 7,4  | A-1                       | SF             | 196,85            | 12,70     | 74,61  | 24,61 | 158,75 | 52,39              | 81,76       | 12,7  | PHP 8-B74-SF  |      |               |
| 208,3   | 8,2               |                       |      | 218,4  | 8,6  | A-1                       | E              | 227,33            | 22,23     | 88,90  | 30,96 | 158,75 | 69,85              | 57,94       | 18,1  | PHP 8-B86-E   |      |               |
| 228,6   | 9,0               |                       |      | 238,8  | 9,4  | A-2                       | E              | 247,65            | 22,23     | 88,90  | 30,96 | 158,75 | 69,85              | 57,94       | 19,5  | PHP 8-B94-E   |      |               |
| 269,2   | 10,6              |                       |      | 279,4  | 11,0 | A-3                       | E              | 288,29            | 22,23     | 88,90  | 30,96 | 158,75 | 69,85              | 57,94       | 22,2  | PHP 8-B110-E  |      |               |
| 304,8   | 12,0              |                       |      | 315,0  | 12,4 | A-3                       | E              | 323,85            | 22,23     | 88,90  | 30,96 | 158,75 | 69,85              | 57,94       | 25,4  | PHP 8-B124-E  |      |               |
| 381,0   | 15,0              |                       |      | 391,2  | 15,4 | A-3                       | E              | 400,05            | 22,23     | 88,90  | 30,96 | 158,75 | 69,85              | 57,94       | 31,3  | PHP 8-B154-E  |      |               |
| 457,2   | 18,0              |                       |      | 467,4  | 18,4 | D-3                       | F              | 476,25            | 25,40     | 101,60 | 0,79  | 158,75 | 95,25              | 64,29       | 41,3  | PHP 8-B184-F  |      |               |
| 497,8   | 19,6              |                       |      | 508,0  | 20,0 | D-3                       | F              | 516,89            | 25,40     | 101,60 | 0,79  | 158,75 | 95,25              | 64,29       | 44,5  | PHP 8-B200-F  |      |               |
| 624,8   | 24,6              |                       |      | 635,0  | 25,0 | D-3                       | F              | 643,89            | 25,40     | 101,60 | 0,79  | 158,75 | 95,25              | 64,29       | 54,9  | PHP 8-B250-F  |      |               |
| 751,8   | 29,6              |                       |      | 762,0  | 30,0 | D-3                       | F              | 770,89            | 25,40     | 101,60 | 0,79  | 158,75 | 95,25              | 64,29       | 67,1  | PHP 8-B300-F  |      |               |
| 955,0   | 37,6              |                       |      | 965,2  | 38,0 | D-3                       | F              | 974,09            | 25,40     | 101,60 | 0,79  | 158,75 | 95,25              | 64,29       | 88,0  | PHP 8-B380-F  |      |               |
| A/B     | 10                |                       |      | 127,0  | 5,0  | 137,2                     | 5,4            | A-1               | SK        | 146,05 | 12,70 | 66,68  | 45,24              | 196,85      | 49,21 | 102,39        | 8,2  | PHP 10-B54-SK |
|         |                   |                       |      | 132,1  | 5,2  | 142,2                     | 5,6            | A-1               | SK        | 151,13 | 12,70 | 66,68  | 45,24              | 196,85      | 49,21 | 102,39        | 9,1  | PHP 10-B56-SK |
|         |                   |                       |      | 142,2  | 5,6  | 152,4                     | 6,0            | A-1               | SF        | 161,29 | 12,70 | 74,61  | 42,86              | 196,85      | 52,39 | 100,81        | 10,9 | PHP 10-B60-SF |
|         |                   |                       |      | 152,4  | 6,0  | 162,6                     | 6,4            | A-1               | SF        | 171,45 | 12,70 | 74,61  | 42,86              | 196,85      | 52,39 | 100,81        | 11,8 | PHP 10-B64-SF |
|         |                   | 162,6                 | 6,4  | 172,7  | 6,8  | A-1                       | SF             | 181,61            | 12,70     | 74,61  | 42,86 | 196,85 | 52,39              | 100,81      | 12,7  | PHP 10-B68-SF |      |               |
|         |                   | 177,8                 | 7,0  | 188,0  | 7,4  | A-1                       | SF             | 196,85            | 12,70     | 74,61  | 42,86 | 196,85 | 52,39              | 100,81      | 14,5  | PHP 10-B74-SF |      |               |
|         |                   | 208,3                 | 8,2  | 218,4  | 8,6  | A-1                       | E              | 227,33            | 22,23     | 88,90  | 50,01 | 196,85 | 69,85              | 76,99       | 19,1  | PHP 10-B86-E  |      |               |
|         |                   | 228,6                 | 9,0  | 238,8  | 9,4  | A-2                       | E              | 247,65            | 22,23     | 88,90  | 50,01 | 196,85 | 69,85              | 76,99       | 21,8  | PHP 10-B94-E  |      |               |
|         |                   | 269,2                 | 10,6 | 279,4  | 11,0 | A-3                       | E              | 288,29            | 22,23     | 88,90  | 50,01 | 196,85 | 69,85              | 76,99       | 25,4  | PHP 10-B110-E |      |               |
|         |                   | 304,8                 | 12,0 | 315,0  | 12,4 | A-3                       | E              | 323,85            | 22,23     | 88,90  | 50,01 | 196,85 | 69,85              | 76,99       | 29,0  | PHP 10-B124-E |      |               |
|         |                   | 381,0                 | 15,0 | 391,2  | 15,4 | A-3                       | F              | 400,05            | 25,40     | 101,60 | 15,88 | 196,85 | 95,25              | 83,34       | 39,9  | PHP 10-B154-F |      |               |
|         |                   | 457,2                 | 18,0 | 467,4  | 18,4 | A-3                       | F              | 476,25            | 25,40     | 101,60 | 15,88 | 196,85 | 95,25              | 83,34       | 46,7  | PHP 10-B184-F |      |               |
|         |                   | 497,8                 | 19,6 | 508,0  | 20,0 | A-3                       | F              | 516,89            | 25,40     | 101,60 | 15,88 | 196,85 | 95,25              | 83,34       | 50,8  | PHP 10-B200-F |      |               |
|         |                   | 624,8                 | 24,6 | 635,0  | 25,0 | A-3                       | F              | 643,89            | 25,40     | 101,60 | 15,88 | 196,85 | 95,25              | 83,34       | 64,4  | PHP 10-B250-F |      |               |
|         |                   | 751,8                 | 29,6 | 762,0  | 30,0 | A-3                       | F              | 770,89            | 25,40     | 101,60 | 15,88 | 196,85 | 95,25              | 83,34       | 78,9  | PHP 10-B300-F |      |               |
|         |                   | 955,0                 | 37,6 | 965,2  | 38,0 | A-3                       | J              | 974,09            | 38,10     | 114,30 | 3,18  | 196,85 | 117,48             | 76,20       | 104,3 | PHP 10-B380-J |      |               |

<sup>1)</sup> Please, note that 1 in pulley type stands for solid version, 2 for web version and 3 for arm/spoke version.

<sup>2)</sup> Mass does not include bushings.

# Classical V-belt pulleys

C QD bushed



| Section | Number of grooves | Pitch diameter |       | Pulley type <sup>1)</sup> | Bushing number | Dimensions        |           |       |       |       |       | Mass <sup>2)</sup> | Designation   |               |              |
|---------|-------------------|----------------|-------|---------------------------|----------------|-------------------|-----------|-------|-------|-------|-------|--------------------|---------------|---------------|--------------|
|         |                   | PD             |       |                           |                | Outer diameter OD | Bore Min. | Max.  | E     | F     | L     |                    |               | M             |              |
|         |                   | mm             | in.   |                           |                | mm                |           |       |       |       |       | kg                 |               |               |              |
| C       | 1                 | 177,8          | 7.0   | D-1                       | SF             | 187,96            | 12,70     | 74,61 | 21,43 | 31,75 | 52,39 | 1                  | 4,5           | PHP 1-C70-SF  |              |
|         |                   | 190,5          | 7.5   | D-2                       | SF             | 200,66            | 12,70     | 74,61 | 21,43 | 31,75 | 52,39 | 1                  | 5,4           | PHP 1-C75-SF  |              |
|         |                   | 203,2          | 8.0   | D-2                       | SF             | 213,36            | 12,70     | 74,61 | 21,43 | 31,75 | 52,39 | 1                  | 5,9           | PHP 1-C80-SF  |              |
|         |                   | 215,9          | 8.5   | D-2                       | SF             | 226,06            | 12,70     | 74,61 | 21,43 | 31,75 | 52,39 | 1                  | 6,4           | PHP 1-C85-SF  |              |
|         |                   | 228,6          | 9.0   | D-3                       | SF             | 238,76            | 12,70     | 74,61 | 21,43 | 31,75 | 52,39 | 1                  | 6,8           | PHP 1-C90-SF  |              |
|         |                   | 241,3          | 9.5   | D-3                       | SF             | 251,46            | 12,70     | 74,61 | 21,43 | 31,75 | 52,39 | 1                  | 7,3           | PHP 1-C95-SF  |              |
|         |                   | 254,0          | 10.0  | D-3                       | SF             | 264,16            | 12,70     | 74,61 | 21,43 | 31,75 | 52,39 | 1                  | 7,7           | PHP 1-C100-SF |              |
|         |                   | 266,7          | 10.5  | D-3                       | SF             | 276,86            | 12,70     | 74,61 | 21,43 | 31,75 | 52,39 | 1                  | 8,2           | PHP 1-C105-SF |              |
|         |                   | 279,4          | 11.0  | D-3                       | SF             | 289,56            | 12,70     | 74,61 | 21,43 | 31,75 | 52,39 | 1                  | 8,6           | PHP 1-C110-SF |              |
|         |                   | 304,8          | 12.0  | D-3                       | SF             | 314,96            | 12,70     | 74,61 | 21,43 | 31,75 | 52,39 | 1                  | 9,1           | PHP 1-C120-SF |              |
|         |                   | 330,2          | 13.0  | D-3                       | SF             | 340,36            | 12,70     | 74,61 | 21,43 | 31,75 | 52,39 | 1                  | 10,0          | PHP 1-C130-SF |              |
|         |                   | 355,6          | 14.0  | D-3                       | SF             | 365,76            | 12,70     | 74,61 | 21,43 | 31,75 | 52,39 | 1                  | 10,9          | PHP 1-C140-SF |              |
|         | 406,4             | 16.0           | D-3   | SF                        | 416,56         | 12,70             | 74,61     | 21,43 | 31,75 | 52,39 | 1     | 11,8               | PHP 1-C160-SF |               |              |
|         | 457,2             | 18.0           | D-3   | SF                        | 467,36         | 12,70             | 74,61     | 21,43 | 31,75 | 52,39 | 1     | 13,6               | PHP 1-C180-SF |               |              |
|         | 508,0             | 20.0           | D-3   | SF                        | 518,16         | 12,70             | 74,61     | 21,43 | 31,75 | 52,39 | 1     | 15,9               | PHP 1-C200-SF |               |              |
|         | 609,6             | 24.0           | D-3   | SF                        | 619,76         | 12,70             | 74,61     | 21,43 | 31,75 | 52,39 | 1     | 18,6               | PHP 1-C240-SF |               |              |
|         | C                 | 2              | 177,8 | 7.0                       | D-1            | SF                | 187,96    | 12,70 | 74,61 | 2,38  | 57,15 | 52,39              | 7             | 6,8           | PHP 2-C70-SF |
|         |                   |                | 190,5 | 7.5                       | D-1            | SF                | 200,66    | 12,70 | 74,61 | 2,38  | 57,15 | 52,39              | 7             | 7,7           | PHP 2-C75-SF |
|         |                   |                | 203,2 | 8.0                       | D-1            | SF                | 213,36    | 12,70 | 74,61 | 2,38  | 57,15 | 52,39              | 7             | 8,2           | PHP 2-C80-SF |
|         |                   |                | 215,9 | 8.5                       | D-2            | SF                | 226,06    | 12,70 | 74,61 | 2,38  | 57,15 | 52,39              | 7             | 8,6           | PHP 2-C85-SF |
| 228,6   |                   |                | 9.0   | D-2                       | SF             | 238,76            | 12,70     | 74,61 | 2,38  | 57,15 | 52,39 | 7                  | 9,1           | PHP 2-C90-SF  |              |
| 241,3   |                   |                | 9.5   | D-2                       | SF             | 251,46            | 12,70     | 74,61 | 2,38  | 57,15 | 52,39 | 7                  | 9,5           | PHP 2-C95-SF  |              |
| 254,0   |                   |                | 10.0  | D-3                       | SF             | 264,16            | 12,70     | 74,61 | 2,38  | 57,15 | 52,39 | 7                  | 10,0          | PHP 2-C100-SF |              |
| 266,7   |                   |                | 10.5  | D-3                       | SF             | 276,86            | 12,70     | 74,61 | 2,38  | 57,15 | 52,39 | 7                  | 10,4          | PHP 2-C105-SF |              |
| 279,4   |                   |                | 11.0  | D-3                       | SF             | 289,56            | 12,70     | 74,61 | 2,38  | 57,15 | 52,39 | 7                  | 10,9          | PHP 2-C110-SF |              |
| 304,8   |                   |                | 12.0  | D-3                       | SF             | 314,96            | 12,70     | 74,61 | 8,73  | 57,15 | 52,39 | 13                 | 11,3          | PHP 2-C120-SF |              |
| 330,2   |                   |                | 13.0  | D-3                       | SF             | 340,36            | 12,70     | 74,61 | 8,73  | 57,15 | 52,39 | 13                 | 12,7          | PHP 2-C130-SF |              |
| 355,6   |                   |                | 14.0  | D-3                       | SF             | 365,76            | 12,70     | 74,61 | 8,73  | 57,15 | 52,39 | 13                 | 14,1          | PHP 2-C140-SF |              |
| 406,4   |                   | 16.0           | D-3   | SF                        | 416,56         | 12,70             | 74,61     | 8,73  | 57,15 | 52,39 | 13    | 16,3               | PHP 2-C160-SF |               |              |
| 457,2   |                   | 18.0           | D-3   | SF                        | 467,36         | 12,70             | 74,61     | 8,73  | 57,15 | 52,39 | 13    | 17,7               | PHP 2-C180-SF |               |              |
| 508,0   |                   | 20.0           | D-3   | SF                        | 518,16         | 12,70             | 74,61     | 8,73  | 57,15 | 52,39 | 13    | 21,8               | PHP 2-C200-SF |               |              |
| 609,6   |                   | 24.0           | D-3   | SF                        | 619,76         | 12,70             | 74,61     | 8,73  | 57,15 | 52,39 | 13    | 27,2               | PHP 2-C240-SF |               |              |
| 762,0   |                   | 30.0           | C-3   | F                         | 772,16         | 25,40             | 101,60    | 30,96 | 57,15 | 95,25 | 7     | 38,6               | PHP 2-C300-F  |               |              |
| C       |                   | 3              | 127,0 | 5.0                       | A-1            | SD                | 137,16    | 12,70 | 50,80 | 15,08 | 82,55 | 46,04              | 21            | 4,5           | PHP 3-C50-SD |
|         | 139,7             |                | 5.5   | A-1                       | SD             | 149,86            | 12,70     | 50,80 | 15,08 | 82,55 | 46,04 | 21                 | 5,4           | PHP 3-C55-SD  |              |
|         | 152,4             |                | 6.0   | D-1                       | SF             | 162,56            | 12,70     | 74,61 | 18,26 | 82,55 | 52,39 | 48                 | 6,8           | PHP 3-C60-SF  |              |
|         | 177,8             |                | 7.0   | A-1                       | SF             | 187,96            | 12,70     | 74,61 | 10,32 | 82,55 | 52,39 | 20                 | 8,2           | PHP 3-C70-SF  |              |
|         | 190,5             |                | 7.5   | A-1                       | SF             | 200,66            | 12,70     | 74,61 | 10,32 | 82,55 | 52,39 | 20                 | 9,1           | PHP 3-C75-SF  |              |
|         | 203,2             |                | 8.0   | B-1                       | E              | 213,36            | 22,23     | 88,90 | 13,49 | 82,55 | 69,85 | 1                  | 11,8          | PHP 3-C80-E   |              |
|         | 215,9             |                | 8.5   | B-1                       | E              | 226,06            | 22,23     | 88,90 | 13,49 | 82,55 | 69,85 | 1                  | 13,2          | PHP 3-C85-E   |              |
|         | 228,6             |                | 9.0   | A-1                       | E              | 238,76            | 22,23     | 88,90 | 11,91 | 82,55 | 69,85 | 1                  | 14,5          | PHP 3-C90-E   |              |
|         | 241,3             |                | 9.5   | A-2                       | E              | 251,46            | 22,23     | 88,90 | 11,91 | 82,55 | 69,85 | 1                  | 15,4          | PHP 3-C95-E   |              |
|         | 254,0             |                | 10.0  | A-2                       | E              | 264,16            | 22,23     | 88,90 | 11,91 | 82,55 | 69,85 | 1                  | 16,3          | PHP 3-C100-E  |              |
|         | 266,7             |                | 10.5  | A-3                       | E              | 276,86            | 22,23     | 88,90 | 11,91 | 82,55 | 69,85 | 1                  | 17,2          | PHP 3-C105-E  |              |
|         | 279,4             |                | 11.0  | A-3                       | E              | 289,56            | 22,23     | 88,90 | 11,91 | 82,55 | 69,85 | 1                  | 18,1          | PHP 3-C110-E  |              |
|         | 304,8             | 12.0           | A-3   | E                         | 314,96         | 22,23             | 88,90     | 11,91 | 82,55 | 69,85 | 1     | 19,5               | PHP 3-C120-E  |               |              |
|         | 330,2             | 13.0           | A-3   | E                         | 340,36         | 22,23             | 88,90     | 11,91 | 82,55 | 69,85 | 1     | 20,4               | PHP 3-C130-E  |               |              |
|         | 355,6             | 14.0           | A-3   | E                         | 365,76         | 22,23             | 88,90     | 11,91 | 82,55 | 69,85 | 1     | 23,1               | PHP 3-C140-E  |               |              |
|         | 406,4             | 16.0           | A-3   | E                         | 416,56         | 22,23             | 88,90     | 11,91 | 82,55 | 69,85 | 1     | 26,8               | PHP 3-C160-E  |               |              |
|         | 457,2             | 18.0           | A-3   | E                         | 467,36         | 22,23             | 88,90     | 11,91 | 82,55 | 69,85 | 1     | 29,5               | PHP 3-C180-E  |               |              |
|         | 508,0             | 20.0           | D-3   | E                         | 518,16         | 22,23             | 88,90     | 5,56  | 82,55 | 69,85 | 18    | 31,8               | PHP 3-C200-E  |               |              |
| 609,6   | 24.0              | D-3            | E     | 619,76                    | 22,23          | 88,90             | 5,56      | 82,55 | 69,85 | 18    | 36,3  | PHP 3-C240-E       |               |               |              |
| 685,8   | 27.0              | D-3            | F     | 695,96                    | 25,40          | 101,60            | 16,67     | 82,55 | 95,25 | 4     | 47,6  | PHP 3-C270-F       |               |               |              |

<sup>1)</sup> Please, note that 1 in pulley type stands for solid version, 2 for web version and 3 for arm/spoke version.

<sup>2)</sup> Mass does not include bushings.



# Classical V-belt pulleys

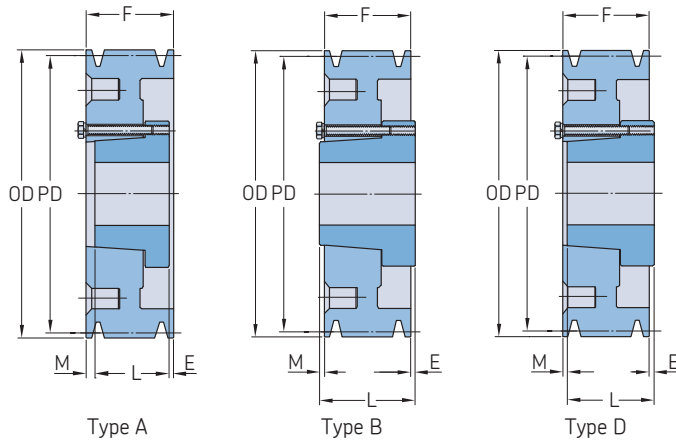
## C QD bushed

| Section | Number of grooves | Pitch diameter |      | Pulley type <sup>1)</sup> | Bushing number | Dimensions        |           |        |       |        |        | Mass <sup>2)</sup> | Designation |              |      |              |
|---------|-------------------|----------------|------|---------------------------|----------------|-------------------|-----------|--------|-------|--------|--------|--------------------|-------------|--------------|------|--------------|
|         |                   | PD             |      |                           |                | Outer diameter OD | Bore Min. | Max.   | E     | F      | L      |                    |             | M            |      |              |
|         |                   | mm             | in.  |                           |                |                   |           |        |       |        |        |                    |             |              | mm   | kg           |
| C       | 3                 | 762,0          | 30,0 | D-3                       | F              | 772,16            | 25,40     | 101,60 | 16,67 | 82,55  | 95,25  | 4                  | 54,4        | PHP 3-C300-F |      |              |
|         |                   | 914,4          | 36,0 | D-3                       | F              | 924,56            | 25,40     | 101,60 | 16,67 | 82,55  | 95,25  | 4                  | 63,5        | PHP 3-C360-F |      |              |
|         |                   | 1117,6         | 44,0 | D-3                       | F              | 1127,76           | 25,40     | 101,60 | 16,67 | 82,55  | 95,25  | 4                  | 77,1        | PHP 3-C440-F |      |              |
|         |                   | 1270,0         | 50,0 | D-3                       | F              | 1280,16           | 25,40     | 101,60 | 16,67 | 82,55  | 95,25  | 4                  | 86,2        | PHP 3-C500-F |      |              |
| C       | 4                 | 127,0          | 5,0  | A-1                       | SD             | 137,16            | 12,70     | 50,80  | 21,43 | 107,95 | 46,04  | 40                 | 5,4         | PHP 4-C50-SD |      |              |
|         |                   | 139,7          | 5,5  | A-1                       | SD             | 149,86            | 12,70     | 50,80  | 21,43 | 107,95 | 46,04  | 40                 | 6,4         | PHP 4-C55-SD |      |              |
|         |                   | 152,4          | 6,0  | A-1                       | SF             | 162,56            | 12,70     | 74,61  | 16,67 | 107,95 | 52,39  | 39                 | 7,7         | PHP 4-C60-SF |      |              |
|         |                   | 177,8          | 7,0  | A-1                       | SF             | 187,96            | 12,70     | 74,61  | 16,67 | 107,95 | 52,39  | 39                 | 9,5         | PHP 4-C70-SF |      |              |
|         |                   | 190,5          | 7,5  | A-1                       | SF             | 200,66            | 12,70     | 74,61  | 16,67 | 107,95 | 52,39  | 39                 | 11,3        | PHP 4-C75-SF |      |              |
|         |                   | 203,2          | 8,0  | A-1                       | E              | 213,36            | 22,23     | 88,90  | 19,84 | 107,95 | 69,85  | 18                 | 13,6        | PHP 4-C80-E  |      |              |
|         |                   | 215,9          | 8,5  | A-1                       | E              | 226,06            | 22,23     | 88,90  | 19,84 | 107,95 | 69,85  | 18                 | 15,0        | PHP 4-C85-E  |      |              |
|         |                   | 228,6          | 9,0  | A-1                       | E              | 238,76            | 22,23     | 88,90  | 19,84 | 107,95 | 69,85  | 18                 | 15,9        | PHP 4-C90-E  |      |              |
|         |                   | 241,3          | 9,5  | A-2                       | E              | 251,46            | 22,23     | 88,90  | 19,84 | 107,95 | 69,85  | 18                 | 17,2        | PHP 4-C95-E  |      |              |
|         |                   | 254,0          | 10,0 | A-2                       | E              | 264,16            | 22,23     | 88,90  | 19,84 | 107,95 | 69,85  | 18                 | 18,1        | PHP 4-C100-E |      |              |
|         |                   | 266,7          | 10,5 | A-2                       | E              | 276,86            | 22,23     | 88,90  | 19,84 | 107,95 | 69,85  | 18                 | 19,5        | PHP 4-C105-E |      |              |
|         |                   | 279,4          | 11,0 | A-2                       | E              | 289,56            | 22,23     | 88,90  | 19,84 | 107,95 | 69,85  | 18                 | 20,9        | PHP 4-C110-E |      |              |
|         |                   | 304,8          | 12,0 | A-3                       | E              | 314,96            | 22,23     | 88,90  | 19,84 | 107,95 | 69,85  | 18                 | 22,7        | PHP 4-C120-E |      |              |
|         |                   | 330,2          | 13,0 | A-3                       | E              | 340,36            | 22,23     | 88,90  | 19,84 | 107,95 | 69,85  | 18                 | 24,5        | PHP 4-C130-E |      |              |
|         |                   | 355,6          | 14,0 | A-3                       | E              | 365,76            | 22,23     | 88,90  | 19,84 | 107,95 | 69,85  | 18                 | 26,8        | PHP 4-C140-E |      |              |
|         |                   | 406,4          | 16,0 | A-3                       | E              | 416,56            | 22,23     | 88,90  | 19,84 | 107,95 | 69,85  | 18                 | 29,5        | PHP 4-C160-E |      |              |
|         |                   | 457,2          | 18,0 | A-3                       | E              | 467,36            | 22,23     | 88,90  | 19,84 | 107,95 | 69,85  | 18                 | 33,1        | PHP 4-C180-E |      |              |
|         |                   | 508,0          | 20,0 | A-3                       | E              | 518,16            | 22,23     | 88,90  | 7,14  | 107,95 | 69,85  | 31                 | 37,2        | PHP 4-C200-E |      |              |
|         |                   | 609,6          | 24,0 | D-3                       | F              | 619,76            | 25,40     | 101,60 | 2,38  | 107,95 | 95,25  | 15                 | 47,6        | PHP 4-C240-F |      |              |
|         |                   | 685,8          | 27,0 | D-3                       | F              | 695,96            | 25,40     | 101,60 | 2,38  | 107,95 | 95,25  | 15                 | 56,7        | PHP 4-C270-F |      |              |
|         |                   | 762,0          | 30,0 | D-3                       | F              | 772,16            | 25,40     | 101,60 | 2,38  | 107,95 | 95,25  | 15                 | 64,4        | PHP 4-C300-F |      |              |
|         |                   | 914,4          | 36,0 | D-3                       | F              | 924,56            | 25,40     | 101,60 | 2,38  | 107,95 | 95,25  | 15                 | 78,0        | PHP 4-C360-F |      |              |
|         |                   | 1117,6         | 44,0 | C-3                       | J              | 1127,76           | 38,10     | 114,30 | -     | 107,95 | 117,48 | 10                 | 102,1       | PHP 4-C440-J |      |              |
|         |                   | 1270,0         | 50,0 | C-3                       | J              | 1280,16           | 38,10     | 114,30 | -     | 107,95 | 117,48 | 10                 | 117,9       | PHP 4-C500-J |      |              |
|         |                   | C              | 5    | 152,4                     | 6,0            | A-1               | SF        | 162,56 | 12,70 | 74,61  | 26,19  | 133,35             | 52,39       | 55           | 9,5  | PHP 5-C60-SF |
|         |                   |                |      | 177,8                     | 7,0            | A-1               | SF        | 187,96 | 12,70 | 74,61  | 26,19  | 133,35             | 52,39       | 55           | 11,8 | PHP 5-C70-SF |
|         |                   |                |      | 190,5                     | 7,5            | A-1               | SF        | 200,66 | 12,70 | 74,61  | 26,19  | 133,35             | 52,39       | 55           | 12,7 | PHP 5-C75-SF |
|         |                   |                |      | 203,2                     | 8,0            | A-1               | E         | 213,36 | 22,23 | 88,90  | 29,37  | 133,35             | 69,85       | 34           | 15,0 | PHP 5-C80-E  |
|         |                   |                |      | 215,9                     | 8,5            | A-1               | E         | 226,06 | 22,23 | 88,90  | 29,37  | 133,35             | 69,85       | 34           | 16,8 | PHP 5-C85-E  |
|         |                   |                |      | 228,6                     | 9,0            | A-1               | E         | 238,76 | 22,23 | 88,90  | 29,37  | 133,35             | 69,85       | 34           | 18,1 | PHP 5-C90-E  |
|         |                   |                |      | 241,3                     | 9,5            | A-2               | E         | 251,46 | 22,23 | 88,90  | 29,37  | 133,35             | 69,85       | 34           | 19,1 | PHP 5-C95-E  |
|         |                   |                |      | 254,0                     | 10,0           | A-2               | E         | 264,16 | 22,23 | 88,90  | 29,37  | 133,35             | 69,85       | 34           | 20,4 | PHP 5-C100-E |
| 266,7   | 10,5              |                |      | A-2                       | E              | 276,86            | 22,23     | 88,90  | 29,37 | 133,35 | 69,85  | 34                 | 21,3        | PHP 5-C105-E |      |              |
| 279,4   | 11,0              |                |      | A-2                       | E              | 289,56            | 22,23     | 88,90  | 29,37 | 133,35 | 69,85  | 34                 | 22,7        | PHP 5-C110-E |      |              |
| 304,8   | 12,0              |                |      | A-2                       | E              | 314,96            | 22,23     | 88,90  | 29,37 | 133,35 | 69,85  | 34                 | 24,0        | PHP 5-C120-E |      |              |
| 330,2   | 13,0              |                |      | A-3                       | E              | 340,36            | 22,23     | 88,90  | 29,37 | 133,35 | 69,85  | 34                 | 26,3        | PHP 5-C130-E |      |              |
| 355,6   | 14,0              |                |      | A-3                       | E              | 365,76            | 22,23     | 88,90  | 29,37 | 133,35 | 69,85  | 34                 | 29,0        | PHP 5-C140-E |      |              |
| 406,4   | 16,0              |                |      | A-3                       | E              | 416,56            | 22,23     | 88,90  | 29,37 | 133,35 | 69,85  | 34                 | 33,1        | PHP 5-C160-E |      |              |
| 457,2   | 18,0              |                |      | A-3                       | E              | 467,36            | 22,23     | 88,90  | 29,37 | 133,35 | 69,85  | 34                 | 38,6        | PHP 5-C180-E |      |              |
| 508,0   | 20,0              |                |      | D-3                       | F              | 518,16            | 25,40     | 101,60 | 2,38  | 133,35 | 95,25  | 40                 | 44,5        | PHP 5-C200-F |      |              |
| 609,6   | 24,0              |                |      | D-3                       | F              | 619,76            | 25,40     | 101,60 | 2,38  | 133,35 | 95,25  | 40                 | 54,0        | PHP 5-C240-F |      |              |
| 685,8   | 27,0              |                |      | D-3                       | F              | 695,96            | 25,40     | 101,60 | 2,38  | 133,35 | 95,25  | 40                 | 69,4        | PHP 5-C270-F |      |              |
| 762,0   | 30,0              |                |      | D-3                       | F              | 772,16            | 25,40     | 101,60 | 2,38  | 133,35 | 95,25  | 40                 | 78,9        | PHP 5-C300-F |      |              |
| 914,4   | 36,0              |                |      | A-3                       | J              | 924,56            | 38,10     | 114,30 | 1,59  | 133,35 | 117,48 | 14                 | 93,4        | PHP 5-C360-J |      |              |
| 1117,6  | 44,0              |                |      | A-3                       | J              | 1127,76           | 38,10     | 114,30 | 1,59  | 133,35 | 117,48 | 14                 | 115,2       | PHP 5-C440-J |      |              |
| 1270,0  | 50,0              |                |      | A-3                       | J              | 1280,16           | 38,10     | 114,30 | 1,59  | 133,35 | 117,48 | 14                 | 124,3       | PHP 5-C500-J |      |              |
| C       | 6                 |                |      | 152,4                     | 6,0            | A-1               | SF        | 162,56 | 12,70 | 74,61  | 26,19  | 158,75             | 52,39       | 80           | 9,1  | PHP 6-C60-SF |
|         |                   |                |      | 177,8                     | 7,0            | A-1               | SF        | 187,96 | 12,70 | 74,61  | 26,19  | 158,75             | 52,39       | 80           | 11,8 | PHP 6-C70-SF |
|         |                   | 190,5          | 7,5  | A-1                       | SF             | 200,66            | 12,70     | 74,61  | 26,19 | 158,75 | 52,39  | 80                 | 13,2        | PHP 6-C75-SF |      |              |
|         |                   | 203,2          | 8,0  | A-1                       | E              | 213,36            | 22,23     | 88,90  | 29,37 | 158,75 | 69,85  | 60                 | 16,3        | PHP 6-C80-E  |      |              |
|         |                   | 215,9          | 8,5  | A-1                       | E              | 226,06            | 22,23     | 88,90  | 29,37 | 158,75 | 69,85  | 60                 | 17,7        | PHP 6-C85-E  |      |              |
|         |                   | 228,6          | 9,0  | A-1                       | F              | 238,76            | 25,40     | 101,60 | 26,19 | 158,75 | 95,25  | 37                 | 23,1        | PHP 6-C90-F  |      |              |
|         |                   | 241,3          | 9,5  | A-1                       | F              | 251,46            | 25,40     | 101,60 | 26,19 | 158,75 | 95,25  | 37                 | 25,0        | PHP 6-C95-F  |      |              |
|         |                   | 254,0          | 10,0 | A-1                       | F              | 264,16            | 25,40     | 101,60 | 26,19 | 158,75 | 95,25  | 37                 | 26,8        | PHP 6-C100-F |      |              |
|         |                   | 266,7          | 10,5 | A-2                       | F              | 276,86            | 25,40     | 101,60 | 26,19 | 158,75 | 95,25  | 37                 | 28,1        | PHP 6-C105-F |      |              |
|         |                   | 279,4          | 11,0 | A-2                       | F              | 289,56            | 25,40     | 101,60 | 26,19 | 158,75 | 95,25  | 37                 | 29,9        | PHP 6-C110-F |      |              |
|         |                   | 304,8          | 12,0 | A-2                       | F              | 314,96            | 25,40     | 101,60 | 26,19 | 158,75 | 95,25  | 37                 | 31,8        | PHP 6-C120-F |      |              |
|         |                   | 330,2          | 13,0 | A-3                       | F              | 340,36            | 25,40     | 101,60 | 26,19 | 158,75 | 95,25  | 37                 | 33,6        | PHP 6-C130-F |      |              |
|         |                   | 355,6          | 14,0 | A-3                       | F              | 365,76            | 25,40     | 101,60 | 26,19 | 158,75 | 95,25  | 37                 | 36,3        | PHP 6-C140-F |      |              |
|         |                   | 406,4          | 16,0 | A-3                       | F              | 416,56            | 25,40     | 101,60 | 26,19 | 158,75 | 95,25  | 37                 | 40,4        | PHP 6-C160-F |      |              |
|         |                   | 457,2          | 18,0 | A-3                       | F              | 467,36            | 25,40     | 101,60 | 26,19 | 158,75 | 95,25  | 37                 | 46,3        | PHP 6-C180-F |      |              |
|         |                   | 508,0          | 20,0 | A-3                       | F              | 518,16            | 25,40     | 101,60 | 13,49 | 158,75 | 95,25  | 50                 | 50,8        | PHP 6-C200-F |      |              |
|         |                   | 609,6          | 24,0 | A-3                       | F              | 619,76            | 25,40     | 101,60 | 13,49 | 158,75 | 95,25  | 50                 | 59,4        | PHP 6-C240-F |      |              |
|         |                   | 685,8          | 27,0 | A-3                       | J              | 695,96            | 38,10     | 114,30 | 1,59  | 158,75 | 117,48 | 40                 | 72,6        | PHP 6-C270-J |      |              |
|         |                   | 762,0          | 30,0 | A-3                       | J              | 772,16            | 38,10     | 114,30 | 1,59  | 158,75 | 117,48 | 40                 | 86,2        | PHP 6-C300-J |      |              |
|         |                   | 914,4          | 36,0 | A-3                       | J              | 924,56            | 38,10     | 114,30 | 1,59  | 158,75 | 117,48 | 40                 | 105,2       | PHP 6-C360-J |      |              |
|         |                   | 1117,6         | 44,0 | A-3                       | J              | 1127,76           | 38,10     | 114,30 | 1,59  | 158,75 | 117,48 | 40                 | 135,6       | PHP 6-C440-J |      |              |
|         |                   | 1270,0         | 50,0 | B-3                       | M              | 1280,16           | 50,80     | 139,70 | 5,56  | 158,75 | 171,45 | 18                 | 145,2       | PHP 6-C500-M |      |              |

<sup>1)</sup> Please, note that 1 in pulley type stands for solid version, 2 for web version and 3 for arm/spoke version.

<sup>2)</sup> Mass does not include bushings.

**Classical V-belt pulleys**  
C QD bushed | D QD bushed



| Section | Number of grooves | Pitch diameter |      | Pulley type <sup>1)</sup> | Bushing number | Dimensions        |           |        |        |        |        | Mass <sup>2)</sup> | Designation |              |      |              |
|---------|-------------------|----------------|------|---------------------------|----------------|-------------------|-----------|--------|--------|--------|--------|--------------------|-------------|--------------|------|--------------|
|         |                   | PD             | PD   |                           |                | Outer diameter OD | Bore Min. | Max.   | E      | F      | L      |                    |             | M            |      |              |
|         |                   | mm             | in.  |                           |                |                   |           |        |        |        |        |                    |             |              | kg   |              |
| C       | 8                 | 203,2          | 8.0  | A-1                       | E              | 213,36            | 22,23     | 88,90  | 51,59  | 209,55 | 69,85  | 88                 | 19,5        | PHP 8-C80-E  |      |              |
|         |                   | 215,9          | 8.5  | A-1                       | E              | 226,06            | 22,23     | 88,90  | 76,99  | 209,55 | 69,85  | 88                 | 21,8        | PHP 8-C85-E  |      |              |
|         |                   | 228,6          | 9.0  | A-1                       | F              | 238,76            | 25,40     | 101,60 | 48,42  | 209,55 | 95,25  | 66                 | 27,2        | PHP 8-C90-F  |      |              |
|         |                   | 241,3          | 9.5  | A-1                       | F              | 251,46            | 25,40     | 101,60 | 48,42  | 209,55 | 95,25  | 66                 | 29,5        | PHP 8-C95-F  |      |              |
|         |                   | 254,0          | 10.0 | A-1                       | F              | 264,16            | 25,40     | 101,60 | 48,42  | 209,55 | 95,25  | 66                 | 31,3        | PHP 8-C100-F |      |              |
|         | 8                 | 266,7          | 10.5 | A-2                       | F              | 276,86            | 25,40     | 101,60 | 48,42  | 209,55 | 95,25  | 66                 | 33,1        | PHP 8-C105-F |      |              |
|         |                   | 279,4          | 11.0 | A-2                       | F              | 289,56            | 25,40     | 101,60 | 48,42  | 209,55 | 95,25  | 66                 | 35,4        | PHP 8-C110-F |      |              |
|         |                   | 304,8          | 12.0 | A-3                       | F              | 314,96            | 25,40     | 101,60 | 48,42  | 209,55 | 95,25  | 66                 | 37,7        | PHP 8-C120-F |      |              |
|         |                   | 330,2          | 13.0 | A-3                       | F              | 340,36            | 25,40     | 101,60 | 48,42  | 209,55 | 95,25  | 66                 | 40,4        | PHP 8-C130-F |      |              |
|         |                   | 355,6          | 14.0 | A-3                       | F              | 365,76            | 25,40     | 101,60 | 48,42  | 209,55 | 95,25  | 66                 | 44,0        | PHP 8-C140-F |      |              |
|         |                   | 406,4          | 16.0 | A-3                       | F              | 416,56            | 25,40     | 101,60 | 48,42  | 209,55 | 95,25  | 66                 | 51,3        | PHP 8-C160-F |      |              |
|         |                   | 457,2          | 18.0 | A-3                       | F              | 467,36            | 25,40     | 101,60 | 48,42  | 209,55 | 95,25  | 66                 | 59,4        | PHP 8-C180-F |      |              |
|         |                   | 508,0          | 20.0 | A-3                       | J              | 518,16            | 38,10     | 114,30 | 1,59   | 209,55 | 117,48 | 90                 | 69,0        | PHP 8-C200-J |      |              |
|         |                   | 609,6          | 24.0 | A-3                       | J              | 619,76            | 38,10     | 114,30 | 1,59   | 209,55 | 117,48 | 90                 | 83,9        | PHP 8-C240-J |      |              |
|         |                   | 685,8          | 27.0 | A-3                       | J              | 695,96            | 38,10     | 114,30 | 1,59   | 209,55 | 117,48 | 90                 | 94,4        | PHP 8-C270-J |      |              |
|         |                   | 762,0          | 30.0 | A-3                       | J              | 772,16            | 38,10     | 114,30 | 1,59   | 209,55 | 117,48 | 90                 | 104,3       | PHP 8-C300-J |      |              |
|         |                   | 914,4          | 36.0 | A-3                       | M              | 924,56            | 50,80     | 139,70 | 7,14   | 209,55 | 171,45 | 31                 | 138,8       | PHP 8-C360-M |      |              |
|         |                   | 1117,6         | 44.0 | A-3                       | M              | 1127,76           | 50,80     | 139,70 | 7,14   | 209,55 | 171,45 | 31                 | 181,4       | PHP 8-C440-M |      |              |
|         |                   | 1270,0         | 50.0 | A-3                       | M              | 1280,16           | 50,80     | 139,70 | 7,14   | 209,55 | 171,45 | 31                 | 215,5       | PHP 8-C500-M |      |              |
|         |                   | D              | 3    | 304,8                     | 12.0           | A-2               | F         | 321,06 | 25,40  | 101,60 | 3,97   | 117,48             | 95,25       | 18           | 31,8 | PHP 3-D120-F |
| 330,2   | 13.0              |                |      | A-2                       | F              | 346,46            | 25,40     | 101,60 | 3,97   | 117,48 | 95,25  | 18                 | 34,5        | PHP 3-D130-F |      |              |
| 342,9   | 13.5              |                |      | A-2                       | F              | 359,16            | 25,40     | 101,60 | 3,97   | 117,48 | 95,25  | 18                 | 35,8        | PHP 3-D135-F |      |              |
| 355,6   | 14.0              |                |      | A-2                       | F              | 371,86            | 25,40     | 101,60 | 3,97   | 117,48 | 95,25  | 18                 | 37,2        | PHP 3-D140-F |      |              |
| 368,3   | 14.5              |                |      | A-3                       | F              | 384,56            | 25,40     | 101,60 | 3,97   | 117,48 | 95,25  | 18                 | 38,6        | PHP 3-D145-F |      |              |
| 3       | 381,0             |                | 15.0 | A-3                       | F              | 397,26            | 25,40     | 101,60 | 3,97   | 117,48 | 95,25  | 18                 | 40,4        | PHP 3-D150-F |      |              |
|         | 393,7             |                | 15.5 | A-3                       | F              | 409,96            | 25,40     | 101,60 | 3,97   | 117,48 | 95,25  | 18                 | 41,7        | PHP 3-D155-F |      |              |
|         | 406,4             |                | 16.0 | A-3                       | F              | 422,66            | 25,40     | 101,60 | 3,97   | 117,48 | 95,25  | 18                 | 43,5        | PHP 3-D160-F |      |              |
|         | 457,2             |                | 18.0 | D-3                       | J              | 473,46            | 38,10     | 114,30 | 6,35   | 117,48 | 117,48 | 6                  | 49,9        | PHP 3-D180-J |      |              |
|         | 508,0             |                | 20.0 | D-3                       | J              | 524,26            | 38,10     | 114,30 | 6,35   | 117,48 | 117,48 | 6                  | 54,4        | PHP 3-D200-J |      |              |
|         | 558,8             |                | 22.0 | D-3                       | J              | 575,06            | 38,10     | 114,30 | 6,35   | 117,48 | 117,48 | 6                  | 59,0        | PHP 3-D220-J |      |              |
|         | 685,8             |                | 27.0 | D-3                       | J              | 702,06            | 38,10     | 114,30 | 6,35   | 117,48 | 117,48 | 6                  | 78,5        | PHP 3-D270-J |      |              |
|         | 838,2             |                | 33.0 | D-3                       | J              | 854,46            | 38,10     | 114,30 | 6,35   | 117,48 | 117,48 | 6                  | 108,9       | PHP 3-D330-J |      |              |
|         | 1016,0            |                | 40.0 | D-3                       | J              | 1032,26           | 38,10     | 114,30 | 6,35   | 117,48 | 117,48 | 6                  | 136,1       | PHP 3-D440-J |      |              |
|         | D                 |                | 4    | 304,8                     | 12.0           | A-2               | F         | 321,06 | 25,40  | 101,60 | 24,61  | 153,99             | 95,25       | 34           | 37,7 | PHP 4-D120-F |
| 330,2   |                   | 13.0           |      | A-2                       | F              | 346,46            | 25,40     | 101,60 | 24,61  | 153,99 | 95,25  | 34                 | 39,0        | PHP 4-D130-F |      |              |
| 342,9   |                   | 13.5           |      | A-2                       | F              | 359,16            | 25,40     | 101,60 | 24,61  | 153,99 | 95,25  | 34                 | 40,4        | PHP 4-D135-F |      |              |
| 355,6   |                   | 14.0           |      | A-2                       | F              | 371,86            | 25,40     | 101,60 | 24,61  | 153,99 | 95,25  | 34                 | 41,7        | PHP 4-D140-F |      |              |
| 368,3   |                   | 14.5           |      | A-3                       | F              | 384,56            | 25,40     | 101,60 | 24,61  | 153,99 | 95,25  | 34                 | 43,1        | PHP 4-D145-F |      |              |
| 4       |                   | 381,0          | 15.0 | A-3                       | F              | 397,26            | 25,40     | 101,60 | 24,61  | 153,99 | 95,25  | 34                 | 44,9        | PHP 4-D150-F |      |              |
|         |                   | 393,7          | 15.5 | A-3                       | F              | 409,96            | 25,40     | 101,60 | 24,61  | 153,99 | 95,25  | 34                 | 46,3        | PHP 4-D155-F |      |              |
|         |                   | 406,4          | 16.0 | A-3                       | F              | 422,66            | 25,40     | 101,60 | 24,61  | 153,99 | 95,25  | 34                 | 48,1        | PHP 4-D160-F |      |              |
|         |                   | 457,2          | 18.0 | A-3                       | J              | 473,46            | 38,10     | 114,30 | 3,18   | 153,99 | 117,48 | 33                 | 54,4        | PHP 4-D180-J |      |              |
|         |                   | 508,0          | 20.0 | A-3                       | J              | 524,26            | 38,10     | 114,30 | 3,18   | 153,99 | 117,48 | 33                 | 59,9        | PHP 4-D200-J |      |              |
|         |                   | 558,8          | 22.0 | A-3                       | J              | 575,06            | 38,10     | 114,30 | 3,18   | 153,99 | 117,48 | 33                 | 70,3        | PHP 4-D220-J |      |              |
|         |                   | 685,8          | 27.0 | A-3                       | J              | 702,06            | 38,10     | 114,30 | 3,18   | 153,99 | 117,48 | 33                 | 87,5        | PHP 4-D270-J |      |              |
|         |                   | 838,2          | 33.0 | B-3                       | M              | 854,46            | 50,80     | 139,70 | 8,73   | 153,99 | 171,45 | 26                 | 127,0       | PHP 4-D330-M |      |              |
|         |                   | 1016,0         | 40.0 | B-3                       | M              | 1032,26           | 50,80     | 139,70 | 8,73   | 153,99 | 171,45 | 26                 | 157,9       | PHP 4-D440-M |      |              |
|         |                   | 1219,2         | 48.0 | B-3                       | M              | 1235,46           | 50,80     | 139,70 | 8,73   | 153,99 | 171,45 | 26                 | 172,4       | PHP 4-D480-M |      |              |
| 1473,2  | 58.0              | B-3            | M    | 1489,46                   | 50,80          | 139,70            | 8,73      | 153,99 | 171,45 | 26     | 190,5  | PHP 4-D580-M       |             |              |      |              |
| D       | 5                 | 304,8          | 12.0 | A-2                       | F              | 321,06            | 25,40     | 101,60 | 43,66  | 190,50 | 95,25  | 52                 | 42,2        | PHP 5-D120-F |      |              |
|         |                   | 330,2          | 13.0 | A-2                       | F              | 346,46            | 25,40     | 101,60 | 43,66  | 190,50 | 95,25  | 52                 | 43,5        | PHP 5-D130-F |      |              |
|         |                   | 342,9          | 13.5 | A-2                       | F              | 359,16            | 25,40     | 101,60 | 43,66  | 190,50 | 95,25  | 52                 | 46,3        | PHP 5-D135-F |      |              |
|         |                   | 355,6          | 14.0 | A-2                       | F              | 371,86            | 25,40     | 101,60 | 43,66  | 190,50 | 95,25  | 52                 | 48,1        | PHP 5-D140-F |      |              |

<sup>1)</sup> Please, note that 1 in pulley type stands for solid version, 2 for web version and 3 for arm/spoke version.  
<sup>2)</sup> Mass does not include bushings.

# Classical V-belt pulleys

## D QD bushed

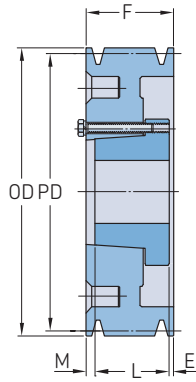
| Section | Number of grooves | Pitch diameter |        | Pulley type <sup>1)</sup> | Bushing number | Dimensions        |           |        |        |        |        | Mass <sup>2)</sup> | Designation |               |               |
|---------|-------------------|----------------|--------|---------------------------|----------------|-------------------|-----------|--------|--------|--------|--------|--------------------|-------------|---------------|---------------|
|         |                   | PD             |        |                           |                | Outer diameter OD | Bore Min. | Max.   | E      | F      | L      |                    |             | M             |               |
|         |                   | mm             | in.    |                           |                |                   |           |        |        |        |        |                    |             |               | mm            |
| D       | 5                 | 368,3          | 14.5   | A-3                       | F              | 384,56            | 25,40     | 101,60 | 43,66  | 190,50 | 95,25  | 52                 | 50,8        | PHP 5-D145-F  |               |
|         |                   | 381,0          | 15.0   | A-3                       | F              | 397,26            | 25,40     | 101,60 | 43,66  | 190,50 | 95,25  | 52                 | 54,4        | PHP 5-D150-F  |               |
|         |                   | 393,7          | 15.5   | A-3                       | F              | 409,96            | 25,40     | 101,60 | 43,66  | 190,50 | 95,25  | 52                 | 56,7        | PHP 5-D155-F  |               |
|         |                   | 406,4          | 16.0   | A-3                       | F              | 422,66            | 25,40     | 101,60 | 43,66  | 190,50 | 95,25  | 52                 | 59,0        | PHP 5-D160-F  |               |
|         |                   | 457,2          | 18.0   | A-3                       | J              | 473,46            | 38,10     | 114,30 | 47,63  | 190,50 | 117,48 | 25                 | 68,0        | PHP 5-D180-J  |               |
|         |                   | 508,0          | 20.0   | A-3                       | J              | 524,26            | 38,10     | 114,30 | 3,18   | 190,50 | 117,48 | 70                 | 72,6        | PHP 5-D200-J  |               |
|         | 5                 | 5              | 558,8  | 22.0                      | A-3            | J                 | 575,06    | 38,10  | 114,30 | 3,18   | 190,50 | 117,48             | 70          | 86,2          | PHP 5-D220-J  |
|         |                   |                | 685,8  | 27.0                      | A-3            | M                 | 702,06    | 50,80  | 139,70 | 8,73   | 190,50 | 171,45             | 10          | 117,9         | PHP 5-D270-M  |
|         |                   |                | 838,2  | 33.0                      | A-3            | M                 | 854,46    | 50,80  | 139,70 | 8,73   | 190,50 | 171,45             | 10          | 145,2         | PHP 5-D330-M  |
|         |                   |                | 1016,0 | 40.0                      | A-3            | M                 | 1032,26   | 50,80  | 139,70 | 8,73   | 190,50 | 171,45             | 10          | 176,9         | PHP 5-D400-M  |
|         |                   |                | 1219,2 | 48.0                      | A-3            | M                 | 1235,46   | 50,80  | 139,70 | 8,73   | 190,50 | 171,45             | 10          | 204,1         | PHP 5-D480-M  |
|         |                   |                | 1473,2 | 58.0                      | A-3            | M                 | 1489,46   | 50,80  | 139,70 | 8,73   | 190,50 | 171,45             | 10          | 226,8         | PHP 5-D580-M  |
|         | D                 | 6              | 304,8  | 12.0                      | A-1            | J                 | 321,06    | 38,10  | 114,30 | 47,63  | 227,01 | 117,48             | 62          | 52,2          | PHP 6-D120-J  |
|         |                   |                | 330,2  | 13.0                      | A-2            | J                 | 346,46    | 38,10  | 114,30 | 47,63  | 227,01 | 117,48             | 62          | 56,7          | PHP 6-D130-J  |
|         |                   |                | 342,9  | 13.5                      | A-2            | J                 | 359,16    | 38,10  | 114,30 | 47,63  | 227,01 | 117,48             | 62          | 61,2          | PHP 6-D135-J  |
|         |                   |                | 355,6  | 14.0                      | A-2            | J                 | 371,86    | 38,10  | 114,30 | 47,63  | 227,01 | 117,48             | 62          | 65,8          | PHP 6-D140-J  |
|         |                   |                | 368,3  | 14.5                      | A-2            | J                 | 384,56    | 38,10  | 114,30 | 47,63  | 227,01 | 117,48             | 62          | 68,0          | PHP 6-D145-J  |
|         |                   |                | 381,0  | 15.0                      | A-2            | J                 | 397,26    | 38,10  | 114,30 | 47,63  | 227,01 | 117,48             | 62          | 72,6          | PHP 6-D150-J  |
| 6       |                   | 6              | 393,7  | 15.5                      | A-3            | J                 | 409,96    | 38,10  | 114,30 | 47,63  | 227,01 | 117,48             | 62          | 74,8          | PHP 6-D155-J  |
|         |                   |                | 406,4  | 16.0                      | A-3            | J                 | 422,66    | 38,10  | 114,30 | 47,63  | 227,01 | 117,48             | 62          | 77,1          | PHP 6-D160-J  |
|         |                   |                | 457,2  | 18.0                      | A-3            | J                 | 473,46    | 38,10  | 114,30 | 47,63  | 227,01 | 117,48             | 62          | 81,7          | PHP 6-D180-J  |
|         |                   |                | 508,0  | 20.0                      | A-3            | J                 | 524,26    | 38,10  | 114,30 | 47,63  | 227,01 | 117,48             | 62          | 97,5          | PHP 6-D200-J  |
|         |                   |                | 558,8  | 22.0                      | A-3            | M                 | 575,06    | 50,80  | 139,70 | 8,73   | 227,01 | 171,45             | 43          | 113,4         | PHP 6-D220-M  |
|         |                   |                | 685,8  | 27.0                      | A-3            | M                 | 702,06    | 50,80  | 139,70 | 8,73   | 227,01 | 171,45             | 43          | 136,1         | PHP 6-D270-M  |
| 6       |                   | 6              | 838,2  | 33.0                      | A-3            | M                 | 854,46    | 50,80  | 139,70 | 8,73   | 227,01 | 171,45             | 43          | 163,3         | PHP 6-D330-M  |
|         |                   |                | 1016,0 | 40.0                      | A-3            | M                 | 1032,26   | 50,80  | 139,70 | 8,73   | 227,01 | 171,45             | 43          | 199,6         | PHP 6-D400-M  |
|         |                   |                | 1219,2 | 48.0                      | A-3            | M                 | 1235,46   | 50,80  | 139,70 | 8,73   | 227,01 | 171,45             | 43          | 254,0         | PHP 6-D480-M  |
|         |                   |                | 1473,2 | 58.0                      | A-3            | N                 | 1489,46   | 61,91  | 149,23 | 4,76   | 227,01 | 206,38             | 16          | 299,4         | PHP 6-D580-N  |
|         |                   |                | 304,8  | 12.0                      | A-1            | J                 | 321,06    | 38,10  | 114,30 | 53,98  | 300,04 | 117,48             | 129         | 63,5          | PHP 8-D120-J  |
|         |                   |                | 330,2  | 13.0                      | A-2            | J                 | 346,46    | 38,10  | 114,30 | 53,98  | 300,04 | 117,48             | 129         | 68,0          | PHP 8-D130-J  |
| D       | 8                 | 342,9          | 13.5   | A-2                       | J              | 359,16            | 38,10     | 114,30 | 53,98  | 300,04 | 117,48 | 129                | 72,6        | PHP 8-D135-J  |               |
|         |                   | 355,6          | 14.0   | A-2                       | J              | 371,86            | 38,10     | 114,30 | 53,98  | 300,04 | 117,48 | 129                | 77,1        | PHP 8-D140-J  |               |
|         |                   | 368,3          | 14.5   | A-2                       | J              | 384,56            | 38,10     | 114,30 | 53,98  | 300,04 | 117,48 | 129                | 80,7        | PHP 8-D145-J  |               |
|         |                   | 381,0          | 15.0   | A-2                       | J              | 397,26            | 38,10     | 114,30 | 53,98  | 300,04 | 117,48 | 129                | 82,6        | PHP 8-D150-J  |               |
|         |                   | 393,7          | 15.5   | A-2                       | J              | 409,96            | 38,10     | 114,30 | 53,98  | 300,04 | 117,48 | 129                | 86,2        | PHP 8-D155-J  |               |
|         |                   | 406,4          | 16.0   | A-2                       | J              | 422,66            | 38,10     | 114,30 | 53,98  | 300,04 | 117,48 | 129                | 91,2        | PHP 8-D160-J  |               |
|         | 8                 | 8              | 457,2  | 18.0                      | A-3            | M                 | 473,46    | 50,80  | 139,70 | 59,53  | 300,04 | 171,45             | 69          | 117,9         | PHP 8-D180-M  |
|         |                   |                | 508,0  | 20.0                      | A-3            | M                 | 524,26    | 50,80  | 139,70 | 59,53  | 300,04 | 171,45             | 69          | 122,5         | PHP 8-D200-M  |
|         |                   |                | 558,8  | 22.0                      | A-3            | M                 | 575,06    | 50,80  | 139,70 | 8,73   | 300,04 | 171,45             | 120         | 136,1         | PHP 8-D220-M  |
|         |                   |                | 685,8  | 27.0                      | A-3            | M                 | 702,06    | 50,80  | 139,70 | 8,73   | 300,04 | 171,45             | 120         | 158,8         | PHP 8-D270-M  |
|         |                   |                | 838,2  | 33.0                      | A-3            | M                 | 854,46    | 50,80  | 139,70 | 8,73   | 300,04 | 171,45             | 120         | 204,1         | PHP 8-D330-M  |
|         |                   |                | 1016,0 | 40.0                      | A-3            | N                 | 1032,26   | 61,91  | 149,23 | 4,76   | 300,04 | 206,38             | 89          | 249,5         | PHP 8-D400-N  |
|         | 8                 | 8              | 1219,2 | 48.0                      | A-3            | N                 | 1235,46   | 61,91  | 149,23 | 4,76   | 300,04 | 206,38             | 89          | 326,6         | PHP 8-D480-N  |
|         |                   |                | 1473,2 | 58.0                      | A-3            | N                 | 1489,46   | 61,91  | 149,23 | 4,76   | 300,04 | 206,38             | 89          | 408,2         | PHP 8-D580-N  |
|         |                   |                | 304,8  | 12.0                      | A-1            | M                 | 321,06    | 50,80  | 139,70 | 59,53  | 373,06 | 171,45             | 148         | 86,2          | PHP 10-D120-M |
|         |                   |                | 330,2  | 13.0                      | A-1            | M                 | 346,46    | 50,80  | 139,70 | 59,53  | 373,06 | 171,45             | 148         | 99,8          | PHP 10-D130-M |
|         |                   |                | 342,9  | 13.5                      | A-1            | M                 | 359,16    | 50,80  | 139,70 | 59,53  | 373,06 | 171,45             | 148         | 108,9         | PHP 10-D135-M |
|         |                   |                | 355,6  | 14.0                      | A-1            | M                 | 371,86    | 50,80  | 139,70 | 59,53  | 373,06 | 171,45             | 148         | 113,4         | PHP 10-D140-M |
| D       | 10                | 368,3          | 14.5   | A-2                       | M              | 384,56            | 50,80     | 139,70 | 59,53  | 373,06 | 171,45 | 148                | 117,9       | PHP 10-D145-M |               |
|         |                   | 381,0          | 15.0   | A-2                       | M              | 397,26            | 50,80     | 139,70 | 59,53  | 373,06 | 171,45 | 148                | 122,5       | PHP 10-D150-M |               |
|         |                   | 393,7          | 15.5   | A-2                       | M              | 409,96            | 50,80     | 139,70 | 59,53  | 373,06 | 171,45 | 148                | 127,0       | PHP 10-D155-M |               |
|         |                   | 406,4          | 16.0   | A-2                       | M              | 422,66            | 50,80     | 139,70 | 59,53  | 373,06 | 171,45 | 148                | 131,5       | PHP 10-D160-M |               |
|         |                   | 457,2          | 18.0   | A-2                       | M              | 473,46            | 50,80     | 139,70 | 59,53  | 373,06 | 171,45 | 148                | 140,6       | PHP 10-D180-M |               |
|         |                   | 508,0          | 20.0   | A-2                       | M              | 524,26            | 50,80     | 139,70 | 59,53  | 373,06 | 171,45 | 148                | 149,7       | PHP 10-D200-M |               |
|         | 10                | 10             | 558,8  | 22.0                      | A-3            | M                 | 575,06    | 50,80  | 139,70 | 59,53  | 373,06 | 171,45             | 173         | 158,8         | PHP 10-D220-M |
|         |                   |                | 685,8  | 27.0                      | A-3            | M                 | 702,06    | 50,80  | 139,70 | 59,53  | 373,06 | 171,45             | 173         | 199,6         | PHP 10-D270-M |
|         |                   |                | 838,2  | 33.0                      | A-3            | N                 | 854,46    | 61,91  | 149,23 | 30,16  | 373,06 | 206,38             | 143         | 226,8         | PHP 10-D330-N |
|         |                   |                | 1016,0 | 40.0                      | A-3            | N                 | 1032,26   | 61,91  | 149,23 | 30,16  | 373,06 | 206,38             | 143         | 294,8         | PHP 10-D400-N |
|         |                   |                | 1219,2 | 48.0                      | A-3            | P                 | 1235,46   | 74,61  | 177,80 | 6,35   | 373,06 | 238,13             | 129         | 417,3         | PHP 10-D480-P |
|         |                   |                | 1473,2 | 58.0                      | A-3            | P                 | 1489,46   | 74,61  | 177,80 | 6,35   | 373,06 | 238,13             | 129         | 499,0         | PHP 10-D580-P |
|         | D                 | 12             | 304,8  | 12.0                      | A-1            | M                 | 321,06    | 50,80  | 139,70 | 84,93  | 446,09 | 171,45             | 190         | 99,8          | PHP 12-D120-M |
|         |                   |                | 330,2  | 13.0                      | A-1            | M                 | 346,46    | 50,80  | 139,70 | 84,93  | 446,09 | 171,45             | 190         | 113,4         | PHP 12-D130-M |
|         |                   |                | 342,9  | 13.5                      | A-1            | M                 | 359,16    | 50,80  | 139,70 | 84,93  | 446,09 | 171,45             | 190         | 122,5         | PHP 12-D135-M |
|         |                   |                | 355,6  | 14.0                      | A-1            | M                 | 371,86    | 50,80  | 139,70 | 84,93  | 446,09 | 171,45             | 190         | 127,0         | PHP 12-D140-M |
|         |                   |                | 368,3  | 14.5                      | A-1            | M                 | 384,56    | 50,80  | 139,70 | 84,93  | 446,09 | 171,45             | 190         | 136,1         | PHP 12-D145-M |
|         |                   |                | 381,0  | 15.0                      | A-2            | M                 | 397,26    | 50,80  | 139,70 | 84,93  | 446,09 | 171,45             | 190         | 138,4         | PHP 12-D150-M |
| 12      |                   | 12             | 393,7  | 15.5                      | A-1            | M                 | 409,96    | 50,80  | 139,70 | 84,93  | 446,09 | 171,45             | 190         | 140,6         | PHP 12-D155-M |
|         |                   |                | 406,4  | 16.0                      | A-2            | M                 | 422,66    | 50,80  | 139,70 | 84,93  | 446,09 | 171,45             | 190         | 145,2         | PHP 12-D160-M |
|         |                   |                | 457,2  | 18.0                      | A-2            | M                 | 473,46    | 50,80  | 139,70 | 84,93  | 446,09 | 171,45             | 190         | 154,2         | PHP 12-D180-M |
|         |                   |                | 508,0  | 20.0                      | A-2            | M                 | 524,26    | 50,80  | 139,70 | 84,93  | 446,09 | 171,45             | 190         | 163,3         | PHP 12-D200-M |
|         |                   |                | 558,8  | 22.0                      | A-3            | M                 | 575,06    | 50,80  | 139,70 | 59,53  | 446,09 | 171,45             | 215         | 181,4         | PHP 12-D220-M |

<sup>1)</sup> Please, note that 1 in pulley type stands for solid version, 2 for web version and 3 for arm/spoke version.

<sup>2)</sup> Mass does not include bushings.

# Classical V-belt pulleys

D QD bushed



Type A

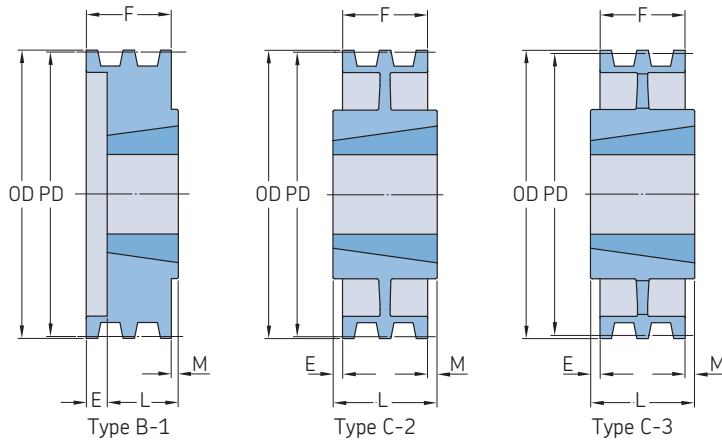
| Section | Number of grooves | Pitch diameter |      | Pulley type <sup>1)</sup> | Bushing number | Dimensions        |           |        |       |        |        | Mass <sup>2)</sup> | Designation |               |
|---------|-------------------|----------------|------|---------------------------|----------------|-------------------|-----------|--------|-------|--------|--------|--------------------|-------------|---------------|
|         |                   | PD             |      |                           |                | Outer diameter OD | Bore Min. | Max.   | E     | F      | L      |                    |             | M             |
| -       | -                 | mm             | in.  | -                         | -              | mm                |           |        |       |        |        | kg                 | -           |               |
| D       | 12                | 685,8          | 27,0 | A-3                       | N              | 702,06            | 61,91     | 149,23 | 55,56 | 446,09 | 206,38 | 184                | 235,9       | PHP 12-D270-N |
|         |                   | 838,2          | 33,0 | A-3                       | N              | 854,46            | 61,91     | 149,23 | 58,74 | 446,09 | 206,38 | 184                | 301,6       | PHP 12-D330-N |
|         |                   | 1016,0         | 40,0 | A-3                       | P              | 1032,26           | 74,61     | 177,80 | 6,35  | 446,09 | 238,13 | 202                | 394,6       | PHP 12-D400-P |
|         |                   | 1219,2         | 48,0 | A-3                       | P              | 1235,46           | 74,61     | 177,80 | 6,35  | 446,09 | 238,13 | 202                | 494,4       | PHP 12-D480-P |
|         |                   | 1473,2         | 58,0 | A-3                       | P              | 1489,46           | 74,61     | 177,80 | 6,35  | 446,09 | 238,13 | 202                | 589,7       | PHP 12-D580-P |

<sup>1)</sup> Please, note that 1 in pulley type stands for solid version, 2 for web version and 3 for arm/spoke version.

<sup>2)</sup> Mass does not include bushings.

# Narrow wedge belt pulleys

3V taper bushed



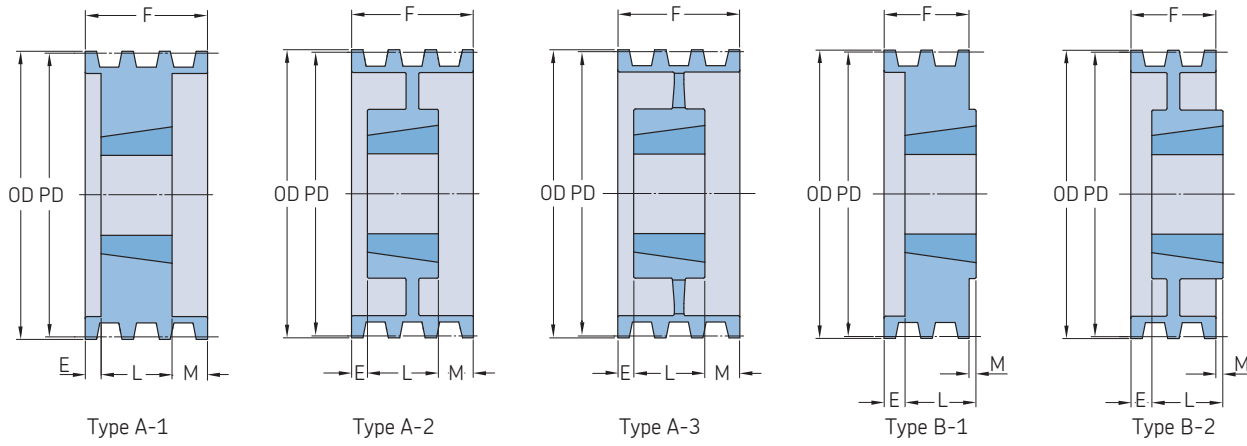
| Section | Number of grooves | Pitch diameter<br>PD | Pulley type | Bushing number     | Dimensions           |           |       |       |       |       | Mass <sup>2)</sup> | Designation |       |                |
|---------|-------------------|----------------------|-------------|--------------------|----------------------|-----------|-------|-------|-------|-------|--------------------|-------------|-------|----------------|
|         |                   |                      |             |                    | Outer diameter<br>OD | B<br>Min. | Max.  | F     | E     | L     |                    |             | M     |                |
|         |                   | mm                   |             |                    | mm                   | in.       |       |       |       |       |                    |             | kg    |                |
| 3V      | 1                 | 66,04                | B-1         | 1108               | 67,31                | 2,65      | 9,53  | 28,58 | 26,99 | 5,56  | 22,23              | 27,78       | 0,34  | PHP 1-3V265TB  |
|         |                   | 69,85                | B-1         | 1108               | 71,12                | 2,80      | 9,53  | 28,58 | 26,99 | 5,56  | 22,23              | 27,78       | 0,39  | PHP 1-3V280TB  |
|         |                   | 74,93                | B-1         | 1108               | 76,20                | 3,00      | 9,53  | 28,58 | 26,99 | 5,56  | 22,23              | 27,78       | 0,45  | PHP 1-3V300TB  |
|         |                   | 78,74                | B-1         | 1108               | 80,01                | 3,15      | 9,53  | 28,58 | 26,99 | 5,56  | 22,23              | 27,78       | 0,45  | PHP 1-3V315TB  |
|         |                   | 83,82                | B-1         | 1610               | 85,09                | 3,35      | 12,70 | 41,28 | 26,99 | 2,38  | 25,40              | 27,78       | 0,50  | PHP 1-3V335TB  |
|         |                   | 91,44                | B-1         | 1610               | 92,71                | 3,65      | 12,70 | 41,28 | 26,99 | 2,38  | 25,40              | 27,78       | 0,59  | PHP 1-3V365TB  |
|         |                   | 103,38               | B-1         | 1610               | 104,65               | 4,12      | 12,70 | 41,28 | 26,99 | 2,38  | 25,40              | 27,78       | 0,91  | PHP 1-3V412TB  |
|         |                   | 113,03               | B-1         | 1610               | 114,30               | 4,50      | 12,70 | 41,28 | 26,99 | 2,38  | 25,40              | 27,78       | 1,04  | PHP 1-3V450TB  |
|         |                   | 119,38               | B-1         | 1610               | 120,65               | 4,75      | 12,70 | 41,28 | 26,99 | 2,38  | 25,40              | 27,78       | 1,18  | PHP 1-3V475TB  |
|         |                   | 125,73               | B-1         | 1610               | 127,00               | 5,00      | 12,70 | 41,28 | 26,99 | 2,38  | 25,40              | 27,78       | 1,32  | PHP 1-3V500TB  |
|         |                   | 133,35               | B-1         | 1610               | 134,62               | 5,30      | 12,70 | 41,28 | 26,99 | 2,38  | 25,40              | 27,78       | 1,50  | PHP 1-3V530TB  |
|         |                   | 140,97               | B-1         | 1610               | 142,24               | 5,60      | 12,70 | 41,28 | 26,99 | 2,38  | 25,40              | 27,78       | 1,68  | PHP 1-3V560TB  |
|         |                   | 151,13               | B-1         | 1610               | 152,40               | 6,00      | 12,70 | 41,28 | 26,99 | 2,38  | 25,40              | 27,78       | 1,91  | PHP 1-3V600TB  |
|         |                   | 163,83               | B-1         | 1610               | 165,10               | 6,50      | 12,70 | 41,28 | 26,99 | 2,38  | 25,40              | 27,78       | 2,27  | PHP 1-3V650TB  |
|         |                   | 173,99               | B-1         | 1610               | 175,26               | 6,90      | 12,70 | 41,28 | 26,99 | 2,38  | 25,40              | 27,78       | 2,54  | PHP 1-3V690TB  |
|         |                   | 201,93               | C-2         | 2517 <sup>1)</sup> | 203,20               | 8,00      | 19,05 | 63,50 | 26,99 | -     | 44,45              | 27,78       | 3,86  | PHP 1-3V800TB  |
|         |                   | 267,97               | C-2         | 2517 <sup>1)</sup> | 269,24               | 10,60     | 19,05 | 63,50 | 26,99 | -     | 44,45              | 27,78       | 6,35  | PHP 1-3V1060TB |
|         |                   | 354,33               | C-3         | 2517 <sup>1)</sup> | 355,60               | 14,00     | 19,05 | 63,50 | 26,99 | -     | 44,45              | 27,78       | 9,07  | PHP 1-3V1400TB |
|         |                   | 481,33               | C-3         | 3020               | 482,60               | 19,00     | 31,75 | 76,20 | 26,99 | -     | 50,80              | 27,78       | 11,79 | PHP 1-3V1900TB |
|         |                   | 3V                   | 2           | 66,04              | B-1                  | 1108      | 67,31 | 2,65  | 9,53  | 28,58 | 27,78              | 5,56        | 22,23 | -              |
| 69,85   | B-1               |                      |             | 1108               | 71,12                | 2,80      | 9,53  | 28,58 | 27,78 | 12,70 | 22,23              | 27,78       | 0,41  | PHP 2-3V280TB  |
| 74,93   | B-1               |                      |             | 1210               | 76,20                | 3,00      | 15,88 | 31,75 | 27,78 | 2,38  | 25,40              | -           | 0,64  | PHP 2-3V300TB  |
| 78,74   | B-1               |                      |             | 1210               | 80,01                | 3,15      | 15,88 | 31,75 | 27,78 | 12,70 | 25,40              | 27,78       | 0,45  | PHP 2-3V315TB  |
| 83,82   | B-1               |                      |             | 1610               | 85,09                | 3,35      | 12,70 | 41,28 | 27,78 | 12,70 | 25,40              | 27,78       | 0,68  | PHP 2-3V335TB  |
| 91,44   | B-1               |                      |             | 1610               | 92,71                | 3,65      | 12,70 | 41,28 | 27,78 | 2,38  | 25,40              | -           | 0,73  | PHP 2-3V365TB  |
| 103,38  | B-1               |                      |             | 1610               | 104,65               | 4,12      | 12,70 | 41,28 | 27,78 | 2,38  | 25,40              | -           | 0,95  | PHP 2-3V412TB  |
| 113,03  | B-1               |                      |             | 1610               | 114,30               | 4,50      | 12,70 | 41,28 | 27,78 | 2,38  | 25,40              | -           | 1,22  | PHP 2-3V450TB  |
| 119,38  | B-1               |                      |             | 1610               | 120,65               | 4,75      | 12,70 | 41,28 | 27,78 | 2,38  | 25,40              | -           | 1,41  | PHP 2-3V475TB  |
| 125,73  | B-1               |                      |             | 1610               | 127,00               | 5,00      | 12,70 | 41,28 | 27,78 | 2,38  | 25,40              | -           | 1,63  | PHP 2-3V500TB  |
| 133,35  | B-1               |                      |             | 1610               | 134,62               | 5,30      | 12,70 | 41,28 | 27,78 | 2,38  | 25,40              | -           | 1,91  | PHP 2-3V530TB  |
| 140,97  | B-1               |                      |             | 1610               | 142,24               | 5,60      | 12,70 | 41,28 | 27,78 | 2,38  | 25,40              | -           | 2,18  | PHP 2-3V560TB  |
| 151,13  | B-1               |                      |             | 1610               | 152,40               | 6,00      | 12,70 | 41,28 | 27,78 | 2,38  | 25,40              | -           | 2,63  | PHP 2-3V600TB  |
| 163,83  | B-1               |                      |             | 1610               | 165,10               | 6,50      | 12,70 | 41,28 | 27,78 | 2,38  | 25,40              | -           | 3,18  | PHP 2-3V650TB  |
| 173,99  | B-1               |                      |             | 1610               | 175,26               | 6,90      | 12,70 | 41,28 | 27,78 | 2,38  | 25,40              | -           | 3,63  | PHP 2-3V690TB  |
| 201,93  | C-2               |                      |             | 2517 <sup>1)</sup> | 203,20               | 8,00      | 19,05 | 63,50 | 27,78 | -     | 44,45              | 16,67       | 4,99  | PHP 2-3V800TB  |
| 267,97  | C-2               |                      |             | 2517 <sup>1)</sup> | 269,24               | 10,60     | 19,05 | 63,50 | 27,78 | -     | 44,45              | 16,67       | 6,80  | PHP 2-3V1060TB |
| 354,33  | C-3               |                      |             | 2517 <sup>1)</sup> | 355,60               | 14,00     | 19,05 | 63,50 | 27,78 | -     | 44,45              | 16,67       | 9,98  | PHP 2-3V1400TB |
| 481,33  | C-3               |                      |             | 3020               | 482,60               | 19,00     | 31,75 | 76,20 | 27,78 | 3,18  | 50,80              | 23,02       | 14,51 | PHP 2-3V1900TB |
| 633,73  | C-3               |                      |             | 3020               | 635,00               | 25,00     | 31,75 | 76,20 | 27,78 | 3,18  | 50,80              | 19,84       | 20,41 | PHP 2-3V2500TB |
| 3V      | 3                 | 69,85                | B-1         | 1108               | 71,12                | 2,80      | 9,53  | 28,58 | 38,10 | 15,88 | 22,23              | 27,78       | 0,50  | PHP 3-3V280TB  |
|         |                   | 74,93                | B-1         | 1210               | 76,20                | 3,00      | 15,88 | 31,75 | 38,10 | 23,02 | 25,40              | -           | 0,82  | PHP 3-3V300TB  |
|         |                   | 78,74                | B-1         | 1210               | 80,01                | 3,15      | 15,88 | 31,75 | 38,10 | 12,70 | 25,40              | 27,78       | 0,68  | PHP 3-3V315TB  |
|         |                   | 83,82                | B-1         | 1610               | 85,09                | 3,35      | 12,70 | 41,28 | 38,10 | 23,02 | 25,40              | 27,78       | 0,82  | PHP 3-3V335TB  |
|         |                   | 91,44                | B-1         | 1610               | 92,71                | 3,65      | 12,70 | 41,28 | 38,10 | 23,02 | 25,40              | -           | 0,91  | PHP 3-3V365TB  |
|         |                   | 103,38               | B-1         | 1610               | 104,65               | 4,12      | 12,70 | 41,28 | 38,10 | 12,70 | 25,40              | -           | 1,18  | PHP 3-3V412TB  |
|         |                   | 113,03               | B-1         | 1610               | 114,30               | 4,50      | 12,70 | 41,28 | 38,10 | 12,70 | 25,40              | -           | 1,45  | PHP 3-3V450TB  |
|         |                   | 119,38               | B-1         | 1610               | 120,65               | 4,75      | 12,70 | 41,28 | 38,10 | 12,70 | 25,40              | -           | 1,68  | PHP 3-3V475TB  |
|         |                   | 125,73               | B-1         | 1610               | 127,00               | 5,00      | 12,70 | 41,28 | 38,10 | 12,70 | 25,40              | -           | 1,91  | PHP 3-3V500TB  |
|         |                   | 133,35               | B-1         | 1610               | 134,62               | 5,30      | 12,70 | 41,28 | 38,10 | 12,70 | 25,40              | -           | 2,18  | PHP 3-3V530TB  |
|         |                   | 140,97               | B-1         | 1610               | 142,24               | 5,60      | 12,70 | 41,28 | 38,10 | 12,70 | 25,40              | -           | 2,49  | PHP 3-3V560TB  |
|         |                   | 151,13               | B-1         | 2517 <sup>1)</sup> | 152,40               | 6,00      | 19,05 | 63,50 | 38,10 | 3,97  | 44,45              | 10,32       | 3,36  | PHP 3-3V600TB  |
|         |                   | 163,83               | B-1         | 2517 <sup>1)</sup> | 165,10               | 6,50      | 19,05 | 63,50 | 38,10 | 3,97  | 44,45              | 10,32       | 4,13  | PHP 3-3V650TB  |
|         |                   | 173,99               | B-1         | 2517 <sup>1)</sup> | 175,26               | 6,90      | 19,05 | 63,50 | 38,10 | 3,97  | 44,45              | 10,32       | 4,54  | PHP 3-3V690TB  |
|         |                   | 201,93               | C-2         | 2517 <sup>1)</sup> | 203,20               | 8,00      | 19,05 | 63,50 | 38,10 | 3,97  | 44,45              | 10,32       | 6,80  | PHP 3-3V800TB  |

<sup>1)</sup> Taper bushing needs to conform to coarse thread series (UNC) of the ASME/ANSI standard. To complete designation, add U before bushing number and bore size at the end of designation, e.g. PHF TBU3535X70MM.

<sup>2)</sup> Mass does not include bushings.

# Narrow wedge belt pulleys

3V taper bushed



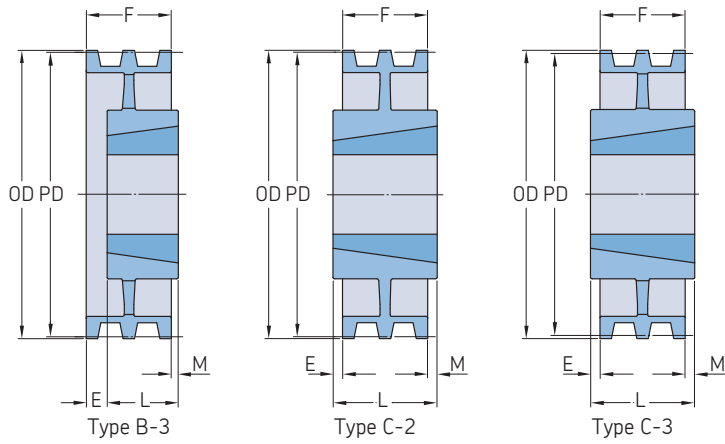
| Section | Number of grooves | Pitch diameter<br>PD | Pulley type | Bushing number     | Dimensions           |                    | B Min. | Max.  | F     | E     | L     | M     | Mass <sup>2)</sup> | Designation    |      |
|---------|-------------------|----------------------|-------------|--------------------|----------------------|--------------------|--------|-------|-------|-------|-------|-------|--------------------|----------------|------|
|         |                   |                      |             |                    | Outer diameter<br>OD | <i>in.</i>         |        |       |       |       |       |       |                    |                |      |
|         |                   | mm                   |             |                    | mm                   | <i>in.</i>         |        |       |       |       |       |       |                    | kg             |      |
| 3V      | 3                 | 267,97               | C-2         | 2517 <sup>1)</sup> | 269,24               | 10,60              | 19,05  | 63,50 | 38,10 | -     | 44,45 | 6,35  | 8,16               | PHP 3-3V1060TB |      |
|         |                   | 354,33               | C-3         | 2517 <sup>1)</sup> | 355,60               | 14,00              | 19,05  | 63,50 | 38,10 | -     | 44,45 | 6,35  | 11,34              | PHP 3-3V1400TB |      |
|         |                   | 481,33               | C-3         | 3020               | 482,60               | 19,00              | 31,75  | 76,20 | 38,10 | -     | 50,80 | 12,70 | 15,42              | PHP 3-3V1900TB |      |
|         |                   | 633,73               | C-3         | 3020               | 635,00               | 25,00              | 31,75  | 76,20 | 38,10 | -     | 50,80 | 12,70 | 22,23              | PHP 3-3V2500TB |      |
|         |                   | 849,63               | C-3         | 3020               | 850,90               | 33,50              | 31,75  | 76,20 | 38,10 | 6,35  | 50,80 | 6,35  | 30,39              | PHP 3-3V3500TB |      |
|         |                   | 3V                   | 4           | 69,85              | B-1                  | 1108               | 71,12  | 2,80  | 9,53  | 28,58 | 48,42 | 33,34 | 22,23              | 27,78          | 0,59 |
| 74,93   | B-1               |                      |             | 1210               | 76,20                | 3,00               | 15,88  | 31,75 | 48,42 | 23,02 | 25,40 | -     | 0,95               | PHP 4-3V300TB  |      |
| 78,74   | B-1               |                      |             | 1210               | 80,01                | 3,15               | 15,88  | 31,75 | 48,42 | 33,34 | 25,40 | 27,78 | 0,86               | PHP 4-3V315TB  |      |
| 83,82   | B-1               |                      |             | 1610               | 85,09                | 3,35               | 12,70  | 41,28 | 48,42 | 23,02 | 25,40 | -     | 1,00               | PHP 4-3V335TB  |      |
| 91,44   | B-1               |                      |             | 1610               | 92,71                | 3,65               | 12,70  | 41,28 | 48,42 | 23,02 | 25,40 | -     | 0,91               | PHP 4-3V365TB  |      |
| 103,38  | B-1               |                      |             | 1610               | 104,65               | 4,12               | 12,70  | 41,28 | 48,42 | 23,02 | 25,40 | -     | 1,36               | PHP 4-3V412TB  |      |
| 113,03  | B-1               |                      |             | 1610               | 114,30               | 4,50               | 12,70  | 41,28 | 48,42 | 23,02 | 25,40 | -     | 1,68               | PHP 4-3V450TB  |      |
| 119,38  | B-1               |                      |             | 1610               | 120,65               | 4,75               | 12,70  | 41,28 | 48,42 | 23,02 | 25,40 | -     | 1,91               | PHP 4-3V475TB  |      |
| 125,73  | B-1               |                      |             | 1610               | 127,00               | 5,00               | 12,70  | 41,28 | 48,42 | 23,02 | 25,40 | -     | 2,18               | PHP 4-3V500TB  |      |
| 133,35  | B-1               |                      |             | 1610               | 134,62               | 5,30               | 12,70  | 41,28 | 48,42 | 23,02 | 25,40 | -     | 2,49               | PHP 4-3V530TB  |      |
| 140,97  | B-1               |                      |             | 1610               | 142,24               | 5,60               | 12,70  | 41,28 | 48,42 | 23,02 | 25,40 | -     | 2,81               | PHP 4-3V560TB  |      |
| 151,13  | B-1               |                      |             | 2517 <sup>1)</sup> | 152,40               | 6,00               | 19,05  | 63,50 | 48,42 | 3,97  | 44,45 | -     | 3,63               | PHP 4-3V600TB  |      |
| 163,83  | B-1               |                      |             | 2517 <sup>1)</sup> | 165,10               | 6,50               | 19,05  | 63,50 | 48,42 | 3,97  | 44,45 | -     | 4,54               | PHP 4-3V650TB  |      |
| 173,99  | B-1               |                      |             | 2517 <sup>1)</sup> | 175,26               | 6,90               | 19,05  | 63,50 | 48,42 | 3,97  | 44,45 | -     | 5,44               | PHP 4-3V690TB  |      |
| 201,93  | B-1               |                      |             | 2517 <sup>1)</sup> | 203,20               | 8,00               | 19,05  | 63,50 | 48,42 | 3,97  | 44,45 | -     | 8,16               | PHP 4-3V800TB  |      |
| 267,97  | A-2               |                      |             | 2517 <sup>1)</sup> | 269,24               | 10,60              | 19,05  | 63,50 | 48,42 | 3,97  | 44,45 | -     | 9,07               | PHP 4-3V1060TB |      |
| 354,33  | C-3               |                      |             | 2517 <sup>1)</sup> | 355,60               | 14,00              | 19,05  | 63,50 | 48,42 | -     | 44,45 | 3,97  | 13,15              | PHP 4-3V1400TB |      |
| 481,33  | C-3               |                      |             | 3020               | 482,60               | 19,00              | 31,75  | 76,20 | 48,42 | -     | 76,20 | 27,78 | 20,41              | PHP 4-3V1900TB |      |
| 633,73  | C-3               |                      |             | 3020               | 635,00               | 25,00              | 31,75  | 76,20 | 48,42 | -     | 76,20 | 27,78 | 28,58              | PHP 4-3V2500TB |      |
| 849,63  | C-3               |                      |             | 3030               | 850,90               | 33,50              | 31,75  | 76,20 | 48,42 | 13,89 | 76,20 | 13,89 | 36,74              | PHP 4-3V3500TB |      |
| 3V      | 5                 | 119,38               | B-1         | 2517 <sup>1)</sup> | 120,65               | 4,75               | 19,05  | 63,50 | 74,61 | 14,29 | 44,45 | -     | 1,72               | PHP 5-3V475TB  |      |
|         |                   | 125,73               | B-1         | 2517 <sup>1)</sup> | 127,00               | 5,00               | 19,05  | 63,50 | 74,61 | 14,29 | 44,45 | -     | 2,18               | PHP 5-3V500TB  |      |
|         |                   | 133,35               | B-1         | 2517 <sup>1)</sup> | 134,62               | 5,30               | 19,05  | 63,50 | 74,61 | 14,29 | 44,45 | -     | 2,68               | PHP 5-3V530TB  |      |
|         |                   | 140,97               | B-1         | 2517 <sup>1)</sup> | 142,24               | 5,60               | 19,05  | 63,50 | 74,61 | 14,29 | 44,45 | -     | 3,18               | PHP 5-3V560TB  |      |
|         |                   | 151,13               | B-1         | 2517 <sup>1)</sup> | 152,40               | 6,00               | 19,05  | 63,50 | 74,61 | 14,29 | 44,45 | -     | 3,95               | PHP 5-3V600TB  |      |
|         |                   | 163,83               | B-1         | 2517 <sup>1)</sup> | 165,10               | 6,50               | 19,05  | 63,50 | 74,61 | 14,29 | 44,45 | -     | 4,99               | PHP 5-3V650TB  |      |
|         |                   | 173,99               | B-1         | 2517 <sup>1)</sup> | 175,26               | 6,90               | 19,05  | 63,50 | 74,61 | 14,29 | 44,45 | -     | 5,90               | PHP 5-3V690TB  |      |
|         |                   | 201,93               | B-1         | 2517 <sup>1)</sup> | 203,20               | 8,00               | 19,05  | 63,50 | 74,61 | 14,29 | 44,45 | -     | 8,62               | PHP 5-3V800TB  |      |
|         |                   | 267,97               | B-2         | 2517 <sup>1)</sup> | 269,24               | 10,60              | 19,05  | 63,50 | 74,61 | 14,29 | 44,45 | -     | 11,79              | PHP 5-3V1060TB |      |
|         |                   | 354,33               | C-3         | 2517 <sup>1)</sup> | 355,60               | 14,00              | 19,05  | 63,50 | 74,61 | -     | 44,45 | 14,29 | 15,42              | PHP 5-3V1400TB |      |
|         |                   | 481,33               | C-3         | 3030               | 482,60               | 19,00              | 31,75  | 76,20 | 74,61 | -     | 76,20 | 17,46 | 21,32              | PHP 5-3V1900TB |      |
|         |                   | 633,73               | C-3         | 3030               | 635,00               | 25,00              | 31,75  | 76,20 | 74,61 | -     | 76,20 | 17,46 | 29,94              | PHP 5-3V2500TB |      |
|         |                   | 849,63               | C-3         | 3030               | 850,90               | 33,50              | 31,75  | 76,20 | 74,61 | 8,73  | 76,20 | 17,46 | 39,01              | PHP 5-3V3500TB |      |
|         |                   | 3V                   | 6           | 119,38             | B-1                  | 2517 <sup>1)</sup> | 120,65 | 4,75  | 19,05 | 63,50 | 69,06 | 24,61 | 44,45              | -              | 2,00 |
| 125,73  | B-1               |                      |             | 2517 <sup>1)</sup> | 127,00               | 5,00               | 19,05  | 63,50 | 69,06 | 24,61 | 44,45 | -     | 2,45               | PHP 6-3V500TB  |      |
| 133,35  | B-1               |                      |             | 2517 <sup>1)</sup> | 134,62               | 5,30               | 19,05  | 63,50 | 69,06 | 24,61 | 44,45 | -     | 2,95               | PHP 6-3V530TB  |      |
| 140,97  | B-1               |                      |             | 2517 <sup>1)</sup> | 142,24               | 5,60               | 19,05  | 63,50 | 69,06 | 24,61 | 44,45 | -     | 3,49               | PHP 6-3V560TB  |      |
| 151,13  | B-1               |                      |             | 2517 <sup>1)</sup> | 152,40               | 6,00               | 19,05  | 63,50 | 69,06 | 24,61 | 44,45 | -     | 4,31               | PHP 6-3V600TB  |      |
| 163,83  | B-1               |                      |             | 2517 <sup>1)</sup> | 165,10               | 6,50               | 19,05  | 63,50 | 69,06 | 24,61 | 44,45 | -     | 5,44               | PHP 6-3V650TB  |      |
| 173,99  | B-1               |                      |             | 2517 <sup>1)</sup> | 175,26               | 6,90               | 19,05  | 63,50 | 69,06 | 24,61 | 44,45 | -     | 5,90               | PHP 6-3V690TB  |      |
| 201,93  | B-1               |                      |             | 2517 <sup>1)</sup> | 203,20               | 8,00               | 19,05  | 63,50 | 69,06 | 24,61 | 44,45 | -     | 9,07               | PHP 6-3V800TB  |      |
| 267,97  | B-2               |                      |             | 2517 <sup>1)</sup> | 269,24               | 10,60              | 19,05  | 63,50 | 69,06 | 24,61 | 44,45 | -     | 13,15              | PHP 6-3V1060TB |      |
| 354,33  | B-3               |                      |             | 2517 <sup>1)</sup> | 355,60               | 14,00              | 19,05  | 63,50 | 69,06 | 5,56  | 44,45 | 19,05 | 18,60              | PHP 6-3V1400TB |      |
| 481,33  | C-3               |                      |             | 3020               | 482,60               | 19,00              | 31,75  | 76,20 | 69,06 | -     | 76,20 | 7,14  | 23,13              | PHP 6-3V1900TB |      |
| 633,73  | C-3               |                      |             | 3030               | 635,00               | 25,00              | 31,75  | 76,20 | 69,06 | -     | 76,20 | 7,14  | 32,66              | PHP 6-3V2500TB |      |
| 849,63  | C-3               |                      |             | 3030               | 850,90               | 33,50              | 31,75  | 76,20 | 69,06 | 3,57  | 76,20 | 3,57  | 41,73              | PHP 6-3V3500TB |      |
| 3V      | 8                 |                      |             | 119,38             | B-1                  | 2517 <sup>1)</sup> | 120,65 | 4,75  | 19,05 | 63,50 | 89,69 | 45,24 | 44,45              | -              | 2,63 |
|         |                   | 125,73               | B-1         | 2517 <sup>1)</sup> | 127,00               | 5,00               | 19,05  | 63,50 | 89,69 | 45,24 | 44,45 | -     | 2,90               | PHP 8-3V500TB  |      |

<sup>1)</sup> Taper bushing needs to conform to coarse thread series (UNC) of the ASME/ANSI standard. To complete designation, add U before bushing number and bore size at the end of designation, e.g. PHF TBU3535X70MM.

<sup>2)</sup> Mass does not include bushings.

# Narrow wedge belt pulleys

3V taper bushed | 5V taper bushed



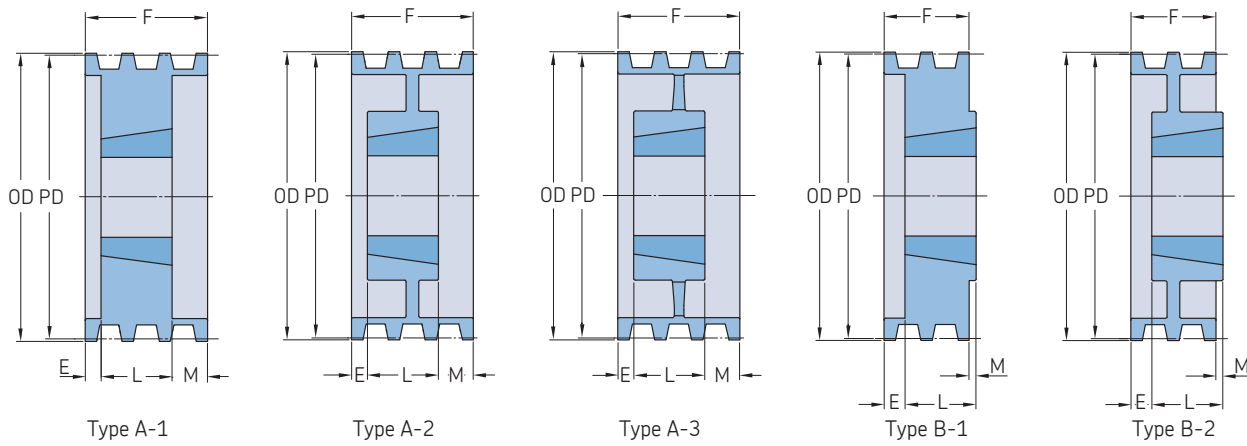
| Section | Number of grooves | Pitch diameter<br>PD | Pulley type | Bushing number     | Dimensions           |        |                    |                    |                    |        | Mass <sup>2)</sup> | Designation   |                |                 |                |                |                |               |
|---------|-------------------|----------------------|-------------|--------------------|----------------------|--------|--------------------|--------------------|--------------------|--------|--------------------|---------------|----------------|-----------------|----------------|----------------|----------------|---------------|
|         |                   |                      |             |                    | Outer diameter<br>OD | B      | F                  | E                  | L                  | M      |                    |               |                |                 |                |                |                |               |
|         |                   |                      |             |                    | mm                   | in.    | Min.               | Max.               |                    |        |                    | kg            |                |                 |                |                |                |               |
| 3V      | 8                 | 133,35               | A-1         | 2517 <sup>1)</sup> | 134,62               | 5.30   | 19.05              | 63.50              | 89.69              | 26.19  | 44.45              | 19.05         | 3.54           | PHP 8-3V530TB   |                |                |                |               |
|         |                   | 140,97               | A-1         | 2517 <sup>1)</sup> | 142,24               | 5.60   | 19.05              | 63.50              | 89.69              | 6.35   | 44.45              | 38.89         | 4.17           | PHP 8-3V560TB   |                |                |                |               |
|         |                   | 151,13               | A-1         | 2517 <sup>1)</sup> | 152,40               | 6.00   | 19.05              | 63.50              | 89.69              | 6.35   | 44.45              | 38.89         | 4.99           | PHP 8-3V600TB   |                |                |                |               |
|         |                   | 163,83               | A-1         | 2517 <sup>1)</sup> | 165,10               | 6.50   | 19.05              | 63.50              | 89.69              | 6.35   | 44.45              | 38.89         | 6.35           | PHP 8-3V650TB   |                |                |                |               |
|         |                   | 173,99               | A-1         | 2517 <sup>1)</sup> | 175,26               | 6.90   | 19.05              | 63.50              | 89.69              | 6.35   | 44.45              | 38.89         | 7.26           | PHP 8-3V690TB   |                |                |                |               |
|         | 849,63            | C-3                  | 201,93      | A-1                | 3020                 | 203,20 | 8.00               | 31.75              | 76.20              | 89.69  | 12.70              | 50.80         | 26.19          | 9.98            | PHP 8-3V800TB  |                |                |               |
|         |                   |                      | 267,97      | A-2                | 3020                 | 269,24 | 10.60              | 31.75              | 76.20              | 89.69  | 12.70              | 50.80         | 26.19          | 12.70           | PHP 8-3V1060TB |                |                |               |
|         |                   |                      | 354,33      | A-3                | 3020                 | 355,60 | 14.00              | 31.75              | 76.20              | 89.69  | -                  | 76.20         | 13.49          | 23.59           | PHP 8-3V1400TB |                |                |               |
|         |                   |                      | 481,33      | A-3                | 3535 <sup>1)</sup>   | 482,60 | 19.00              | 50.80              | 100.01             | 89.69  | -                  | 88.90         | 0.79           | 30.39           | PHP 8-3V1900TB |                |                |               |
|         |                   |                      | 633,73      | A-3                | 3535 <sup>1)</sup>   | 635,00 | 25.00              | 50.80              | 100.01             | 89.69  | -                  | 88.90         | 0.79           | 42.18           | PHP 8-3V2500TB |                |                |               |
|         |                   |                      | 3V          | 10                 | 119,38               | B-1    | 2517 <sup>1)</sup> | 120,65             | 4.75               | 19.05  | 63.50              | 110.33        | 65.88          | 44.45           | -              | 3.18           | PHP 10-3V475TB |               |
|         |                   |                      |             |                    | 125,73               | B-1    | 2517 <sup>1)</sup> | 127,00             | 5.00               | 19.05  | 63.50              | 110.33        | 65.88          | 44.45           | 19.05          | 3.63           | PHP 10-3V500TB |               |
|         |                   |                      |             |                    | 133,35               | A-1    | 2517 <sup>1)</sup> | 134,62             | 5.30               | 19.05  | 63.50              | 110.33        | 65.88          | 44.45           | -              | 4.08           | PHP 10-3V530TB |               |
|         |                   |                      |             |                    | 140,97               | A-1    | 2517 <sup>1)</sup> | 142,24             | 5.60               | 19.05  | 63.50              | 110.33        | 12.70          | 44.45           | 53.18          | 4.99           | PHP 10-3V560TB |               |
|         |                   |                      |             |                    | 151,13               | A-1    | 2517 <sup>1)</sup> | 152,40             | 6.00               | 19.05  | 63.50              | 110.33        | 12.70          | 44.45           | 53.18          | 5.90           | PHP 10-3V600TB |               |
|         |                   |                      |             |                    | 163,83               | A-1    | 173,99             | A-1                | 2517 <sup>1)</sup> | 175,26 | 6.90               | 19.05         | 63.50          | 110.33          | 12.70          | 44.45          | 53.18          | 6.80          |
| 201,93  | A-1               | 3020                 | 203,20      | 8.00               |                      |        | 31.75              | 76.20              | 110.33             | 6.35   | 50.80              | 53.18         | 10.43          | PHP 10-3V800TB  |                |                |                |               |
| 267,97  | A-2               | 3020                 | 269,24      | 10.60              |                      |        | 31.75              | 76.20              | 110.33             | 21.43  | 50.80              | 38.10         | 14.06          | PHP 10-3V1060TB |                |                |                |               |
| 354,33  | A-2               | 3535 <sup>1)</sup>   | 355,60      | 14.00              |                      |        | 50.80              | 88.90              | 110.33             | -      | 88.90              | 21.43         | 22.68          | PHP 10-3V1400TB |                |                |                |               |
| 481,33  | A-3               | 3535 <sup>1)</sup>   | 482,60      | 19.00              |                      |        | 50.80              | 88.90              | 110.33             | -      | 88.90              | 21.43         | 34.02          | PHP 10-3V1900TB |                |                |                |               |
|         |                   | 4040                 | 635,00      | 25.00              |                      |        | 44.45              | 112.71             | 110.33             | -      | 101.60             | 8.73          | 55.34          | PHP 10-3V2500TB |                |                |                |               |
| 849,63  | A-3               | 4040                 | 850,90      | 33.50              |                      |        | 44.45              | 112.71             | 110.33             | 4.37   | 101.60             | 4.37          | 78.02          | PHP 10-3V3350TB |                |                |                |               |
| 5V      | 2                 | 177,80               | B-1         | 2517 <sup>1)</sup> |                      |        | 180,34             | 7.10               | 19.05              | 63.50  | 42.86              | 1.59          | 44.45          | -               | 4.54           | PHP 2-5V710TB  |                |               |
|         |                   | 187,96               | B-1         | 2517 <sup>1)</sup> |                      |        | 190,50             | 7.50               | 19.05              | 63.50  | 42.86              | 1.59          | 44.45          | -               | 5.44           | PHP 2-5V750TB  |                |               |
|         |                   | 200,66               | B-1         | 2517 <sup>1)</sup> |                      |        | 203,20             | 8.00               | 19.05              | 63.50  | 42.86              | 1.59          | 44.45          | -               | 6.35           | PHP 2-5V800TB  |                |               |
|         |                   | 213,36               | B-2         | 2517 <sup>1)</sup> |                      |        | 215,90             | 8.50               | 19.05              | 63.50  | 42.86              | 1.59          | 44.45          | -               | 5.90           | PHP 2-5V850TB  |                |               |
|         |                   | 226,06               | B-2         | 2517 <sup>1)</sup> | 228,60               | 9.00   | 19.05              | 63.50              | 42.86              | 1.59   | 44.45              | -             | 7.26           | PHP 2-5V900TB   |                |                |                |               |
|         |                   | 232,41               | C-2         | 3020               | 234,95               | 9.25   | 31.75              | 76.20              | 42.86              | -      | 50.80              | 7.94          | 7.71           | PHP 2-5V925TB   |                |                |                |               |
|         |                   |                      |             | 3020               | 247,65               | 9.75   | 31.75              | 76.20              | 42.86              | -      | 50.80              | 7.94          | 8.62           | PHP 2-5V975TB   |                |                |                |               |
|         |                   |                      |             | 3020               | 261,62               | 10.30  | 31.75              | 76.20              | 42.86              | -      | 50.80              | 7.94          | 9.98           | PHP 2-5V1030TB  |                |                |                |               |
|         |                   |                      |             | 3020               | 276,86               | 10.90  | 31.75              | 76.20              | 42.86              | -      | 50.80              | 7.94          | 10.89          | PHP 2-5V1090TB  |                |                |                |               |
|         |                   |                      |             | 3020               | 299,72               | 11.80  | 31.75              | 76.20              | 42.86              | -      | 50.80              | 7.94          | 11.79          | PHP 2-5V1180TB  |                |                |                |               |
|         | 314,96            | C-2                  | 3020        | 317,50             | 12.50                | 31.75  | 76.20              | 42.86              | -                  | 50.80  | 7.94               | 12.70         | PHP 2-5V1250TB |                 |                |                |                |               |
|         |                   |                      | 3020        | 335,28             | 13.20                | 31.75  | 76.20              | 42.86              | -                  | 50.80  | 7.94               | 9.53          | PHP 2-5V1320TB |                 |                |                |                |               |
|         |                   |                      | 3020        | 355,60             | 14.00                | 31.75  | 76.20              | 42.86              | -                  | 50.80  | 7.94               | 10.43         | PHP 2-5V1400TB |                 |                |                |                |               |
|         |                   |                      | 3020        | 381,00             | 15.00                | 31.75  | 76.20              | 42.86              | -                  | 50.80  | 7.94               | 11.79         | PHP 2-5V1500TB |                 |                |                |                |               |
|         |                   |                      | 3020        | 406,40             | 16.00                | 31.75  | 76.20              | 42.86              | -                  | 50.80  | 7.94               | 12.70         | PHP 2-5V1600TB |                 |                |                |                |               |
|         |                   | 535,94               | C-3         | 3535 <sup>1)</sup> | 538,48               | 21.20  | 50.80              | 100.01             | 42.86              | 9.53   | 88.90              | 36.51         | 23.13          | PHP 2-5V2120TB  |                |                |                |               |
|         |                   |                      |             | 3535 <sup>1)</sup> | 711,20               | 28.00  | 50.80              | 100.01             | 42.86              | 9.53   | 88.90              | 36.51         | 31.30          | PHP 2-5V2800TB  |                |                |                |               |
|         |                   |                      |             | 5V                 | 3                    | 177,80 | B-1                | 2517 <sup>1)</sup> | 180,34             | 7.10   | 19.05              | 63.50         | 60.33          | 15.88           | 44.45          | -              | 5.90           | PHP 3-5V710TB |
|         |                   |                      |             |                    |                      | 187,96 | B-1                | 2517 <sup>1)</sup> | 190,50             | 7.50   | 19.05              | 63.50         | 60.33          | 15.88           | 44.45          | -              | 6.80           | PHP 3-5V750TB |
|         |                   |                      |             |                    |                      | 200,66 | B-1                | 2517 <sup>1)</sup> | 203,20             | 8.00   | 19.05              | 63.50         | 60.33          | 15.88           | 44.45          | -              | 8.16           | PHP 3-5V800TB |
| 213,36  | B-2               | 2517 <sup>1)</sup>   | 215,90      | 8.50               | 19.05                | 63.50  | 60.33              | 15.88              | 44.45              | -      | 9.07               | PHP 3-5V850TB |                |                 |                |                |                |               |
|         |                   | 2517 <sup>1)</sup>   | 228,60      | 9.00               | 19.05                | 63.50  | 60.33              | 15.88              | 44.45              | -      | 9.07               | PHP 3-5V900TB |                |                 |                |                |                |               |
| 232,41  | A-2               | 3020                 | 234,95      | 9.25               | 31.75                | 76.20  | 60.33              | -                  | 50.80              | 9.53   | 9.53               | 9.53          | PHP 3-5V925TB  |                 |                |                |                |               |
|         |                   | 3020                 | 247,65      | 9.75               | 31.75                | 76.20  | 60.33              | -                  | 50.80              | 9.53   | 10.89              | 10.89         | PHP 3-5V975TB  |                 |                |                |                |               |
|         |                   | 3020                 | 261,62      | 10.30              | 31.75                | 76.20  | 60.33              | -                  | 50.80              | 9.53   | 11.34              | 11.34         | PHP 3-5V1030TB |                 |                |                |                |               |
|         |                   | 3020                 | 276,86      | 10.90              | 31.75                | 76.20  | 60.33              | -                  | 50.80              | 9.53   | 12.25              | 12.25         | PHP 3-5V1090TB |                 |                |                |                |               |
|         | 297,18            | A-2                  | 3020        | 299,72             | 11.80                | 31.75  | 76.20              | 60.33              | -                  | 50.80  | 9.53               | 13.15         | 13.15          | PHP 3-5V1180TB  |                |                |                |               |
|         |                   |                      | 314,96      | A-3                | 3020                 | 317,50 | 12.50              | 31.75              | 76.20              | 60.33  | -                  | 50.80         | 9.53           | 14.51           | 14.51          | PHP 3-5V1250TB |                |               |

<sup>1)</sup> Taper bushing needs to conform to coarse thread series (UNC) of the ASME/ANSI standard. To complete designation, add U before bushing number and bore size at the end of designation, e.g. PHF TBU3535X70MM.

<sup>2)</sup> Mass does not include bushings.

# Narrow wedge belt pulleys

5V taper bushed



| Section | Number of grooves | Pitch diameter<br>PD | Pulley type        | Bushing number     | Dimensions           |            | B<br>Min. | Max.   | F      | E      | L     | M      | Mass <sup>2)</sup><br>kg | Designation    |                |
|---------|-------------------|----------------------|--------------------|--------------------|----------------------|------------|-----------|--------|--------|--------|-------|--------|--------------------------|----------------|----------------|
|         |                   |                      |                    |                    | Outer diameter<br>OD | <i>in.</i> |           |        |        |        |       |        |                          |                |                |
| –       | –                 | mm                   | –                  | –                  | mm                   | <i>in.</i> |           |        |        |        |       |        |                          |                |                |
| 5V      | 3                 | 332,74               | A-3                | 3020               | 335,28               | 13.20      | 31.75     | 76.20  | 60.33  | –      | 50.80 | 9.53   | 15,42                    | PHP 3-5V1320TB |                |
|         |                   | 353,06               | A-3                | 3020               | 355,60               | 14.00      | 31.75     | 76.20  | 60.33  | –      | 50.80 | 9.53   | 16,33                    | PHP 3-5V1400TB |                |
|         |                   | 378,46               | A-3                | 3020               | 381,00               | 15.00      | 31.75     | 76.20  | 60.33  | –      | 50.80 | 9.53   | 16,78                    | PHP 3-5V1500TB |                |
|         |                   | 403,86               | A-3                | 3020               | 406,40               | 16.00      | 31.75     | 76.20  | 60.33  | –      | 50.80 | 9.53   | 17,24                    | PHP 3-5V1600TB |                |
|         |                   | 535,94               | C-3                | 3535 <sup>1)</sup> | 538,48               | 21.20      | 50.80     | 100.01 | 60.33  | –      | 88.90 | 28.58  | 29,48                    | PHP 3-5V2120TB |                |
|         |                   | 708,66               | C-3                | 3535 <sup>1)</sup> | 711,20               | 28.00      | 50.80     | 100.01 | 60.33  | –      | 88.90 | 28.58  | 42,18                    | PHP 3-5V2800TB |                |
|         | 949,96            | C-3                  | 4040               | 952,50             | 37.50                | 44.45      | 112.71    | 60.33  | 12.70  | 101.60 | 28.58 | 64,41  | PHP 3-5V3750TB           |                |                |
|         | 1267,46           | C-3                  | 4040               | 1270,00            | 50.00                | 44.45      | 112.71    | 60.33  | 12.70  | 101.60 | 28.58 | 91,63  | PHP 3-5V5000TB           |                |                |
|         | 5V                | 4                    | 177,80             | B-1                | 2517 <sup>2)</sup>   | 180,34     | 7.10      | 19.05  | 63.50  | 77.79  | 33.34 | 44.45  | –                        | 6,80           | PHP 4-5V710TB  |
|         |                   |                      | 187,96             | B-1                | 2517 <sup>2)</sup>   | 190,50     | 7.50      | 19.05  | 63.50  | 77.79  | 33.34 | 44.45  | –                        | 8,16           | PHP 4-5V750TB  |
|         |                   |                      | 200,66             | B-1                | 2517 <sup>2)</sup>   | 203,20     | 8.00      | 19.05  | 63.50  | 77.79  | 33.34 | 44.45  | –                        | 9,53           | PHP 4-5V800TB  |
|         |                   |                      | 213,36             | B-2                | 2517 <sup>2)</sup>   | 215,90     | 8.50      | 19.05  | 63.50  | 77.79  | 33.34 | 44.45  | –                        | 9,07           | PHP 4-5V850TB  |
| 226,06  |                   |                      | B-2                | 2517 <sup>2)</sup> | 228,60               | 9.00       | 19.05     | 63.50  | 77.79  | 33.34  | 44.45 | –      | 9,98                     | PHP 4-5V900TB  |                |
| 232,41  |                   |                      | A-1                | 3020               | 234,95               | 9.25       | 31.75     | 76.20  | 77.79  | 12.70  | 50.80 | 14.29  | 12,25                    | PHP 4-5V925TB  |                |
| 245,11  |                   |                      | A-1                | 3020               | 247,65               | 9.75       | 31.75     | 76.20  | 77.79  | 12.70  | 50.80 | 14.29  | 14,06                    | PHP 4-5V975TB  |                |
| 259,08  |                   |                      | A-2                | 3020               | 261,62               | 10.30      | 31.75     | 76.20  | 77.79  | 12.70  | 50.80 | 14.29  | 12,70                    | PHP 4-5V1030TB |                |
| 274,32  |                   |                      | A-2                | 3020               | 276,86               | 10.90      | 31.75     | 76.20  | 77.79  | 12.70  | 50.80 | 14.29  | 14,06                    | PHP 4-5V1090TB |                |
| 297,18  |                   |                      | A-2                | 3020               | 299,72               | 11.80      | 31.75     | 76.20  | 77.79  | 12.70  | 50.80 | 14.29  | 15,42                    | PHP 4-5V1180TB |                |
| 314,96  |                   |                      | A-2                | 3020               | 317,50               | 12.50      | 31.75     | 76.20  | 77.79  | –      | 76.20 | 1.59   | 18,14                    | PHP 4-5V1250TB |                |
| 332,74  |                   |                      | A-3                | 3020               | 335,28               | 13.20      | 31.75     | 76.20  | 77.79  | –      | 76.20 | 1.59   | 19,05                    | PHP 4-5V1320TB |                |
| 353,06  |                   | C-2                  | 3535 <sup>1)</sup> | 355,60             | 14.00                | 50.80      | 100.01    | 77.79  | –      | 88.90  | 11.11 | 21,77  | PHP 4-5V1400TB           |                |                |
| 378,46  |                   | C-3                  | 3535 <sup>1)</sup> | 381,00             | 15.00                | 50.80      | 100.01    | 77.79  | –      | 88.90  | 11.11 | 23,59  | PHP 4-5V1500TB           |                |                |
| 403,86  |                   | C-3                  | 3535 <sup>1)</sup> | 406,40             | 16.00                | 50.80      | 100.01    | 77.79  | –      | 88.90  | 11.11 | 24,04  | PHP 4-5V1600TB           |                |                |
| 535,94  |                   | C-3                  | 3535 <sup>1)</sup> | 538,48             | 21.20                | 50.80      | 100.01    | 77.79  | –      | 88.90  | 11.11 | 32,66  | PHP 4-5V2120TB           |                |                |
| 708,66  |                   | C-3                  | 3535 <sup>1)</sup> | 711,20             | 28.00                | 50.80      | 100.01    | 77.79  | –      | 88.90  | 11.11 | 46,72  | PHP 4-5V2800TB           |                |                |
| 949,96  |                   | C-3                  | 4040               | 952,50             | 37.50                | 44.45      | 112.71    | 77.79  | –      | 101.60 | 23.81 | 78,02  | PHP 4-5V3750TB           |                |                |
| 1267,46 |                   | C-3                  | 4040               | 1270,00            | 50.00                | 44.45      | 112.71    | 77.79  | –      | 101.60 | 23.81 | 100,70 | PHP 4-5V5000TB           |                |                |
| 5V      |                   | 5                    | 177,80             | A-1                | 3020                 | 180,34     | 7.10      | 31.75  | 76.20  | 95.25  | 12.70 | 50.80  | 31.75                    | 7,26           | PHP 5-5V710TB  |
|         |                   |                      | 187,96             | A-1                | 3020                 | 190,50     | 7.50      | 31.75  | 76.20  | 95.25  | 12.70 | 50.80  | 31.75                    | 8,16           | PHP 5-5V750TB  |
|         |                   |                      | 200,66             | A-1                | 3020                 | 203,20     | 8.00      | 31.75  | 76.20  | 95.25  | 12.70 | 50.80  | 31.75                    | 9,98           | PHP 5-5V800TB  |
|         |                   |                      | 213,36             | A-1                | 3020                 | 215,90     | 8.50      | 31.75  | 76.20  | 95.25  | 12.70 | 50.80  | 31.75                    | 11,79          | PHP 5-5V850TB  |
|         |                   |                      | 226,06             | A-1                | 3020                 | 228,60     | 9.00      | 31.75  | 76.20  | 95.25  | 12.70 | 50.80  | 31.75                    | 13,15          | PHP 5-5V900TB  |
|         | 232,41            |                      | A-1                | 3020               | 234,95               | 9.25       | 31.75     | 76.20  | 95.25  | 12.70  | 50.80 | 31.75  | 13,61                    | PHP 5-5V925TB  |                |
|         | 245,11            |                      | A-1                | 3020               | 247,65               | 9.75       | 31.75     | 76.20  | 95.25  | 12.70  | 50.80 | 31.75  | 15,42                    | PHP 5-5V975TB  |                |
|         | 259,08            |                      | A-2                | 3020               | 261,62               | 10.30      | 31.75     | 76.20  | 95.25  | 12.70  | 50.80 | 31.75  | 14,51                    | PHP 5-5V1030TB |                |
|         | 274,32            |                      | A-2                | 3020               | 276,86               | 10.90      | 31.75     | 76.20  | 95.25  | 12.70  | 50.80 | 31.75  | 15,42                    | PHP 5-5V1090TB |                |
|         | 297,18            |                      | A-2                | 3020               | 299,72               | 11.80      | 31.75     | 76.20  | 95.25  | 12.70  | 50.80 | 31.75  | 17,69                    | PHP 5-5V1180TB |                |
|         | 314,96            |                      | A-2                | 3535 <sup>1)</sup> | 317,50               | 12.50      | 50.80     | 100.01 | 95.25  | –      | 88.90 | 6.35   | 24,49                    | PHP 5-5V1250TB |                |
|         | 332,74            |                      | A-2                | 3535 <sup>1)</sup> | 335,28               | 13.20      | 50.80     | 100.01 | 95.25  | –      | 88.90 | 6.35   | 25,85                    | PHP 5-5V1320TB |                |
|         | 353,06            | A-2                  | 3535 <sup>1)</sup> | 355,60             | 14.00                | 50.80      | 100.01    | 95.25  | –      | 88.90  | 6.35  | 24,49  | PHP 5-5V1400TB           |                |                |
|         | 378,46            | A-3                  | 3535 <sup>1)</sup> | 381,00             | 15.00                | 50.80      | 100.01    | 95.25  | –      | 88.90  | 6.35  | 25,40  | PHP 5-5V1500TB           |                |                |
|         | 403,86            | A-3                  | 3535 <sup>1)</sup> | 406,40             | 16.00                | 50.80      | 100.01    | 95.25  | –      | 88.90  | 6.35  | 26,31  | PHP 5-5V1600TB           |                |                |
|         | 535,94            | C-3                  | 4040               | 538,48             | 21.20                | 44.45      | 112.71    | 95.25  | –      | 101.60 | 6.35  | 41,73  | PHP 5-5V2120TB           |                |                |
|         | 708,66            | C-3                  | 4040               | 711,20             | 28.00                | 44.45      | 112.71    | 95.25  | –      | 101.60 | 6.35  | 53,07  | PHP 5-5V2800TB           |                |                |
|         | 949,96            | C-3                  | 4040               | 952,50             | 37.50                | 44.45      | 112.71    | 95.25  | –      | 101.60 | 6.35  | 82,55  | PHP 5-5V3750TB           |                |                |
|         | 1267,46           | C-3                  | 4545               | 1270,00            | 50.00                | 57.15      | 125.41    | 95.25  | –      | 114.30 | 19.05 | 125,19 | PHP 5-5V5000TB           |                |                |
|         | 5V                | 6                    | 177,80             | A-1                | 3020                 | 180,34     | 7.10      | 31.75  | 76.20  | 112.71 | 19.05 | 50.80  | 42.86                    | 8,16           | PHP 6-5V710 TB |
|         |                   |                      | 187,96             | A-1                | 3020                 | 190,50     | 7.50      | 31.75  | 76.20  | 112.71 | 19.05 | 50.80  | 42.86                    | 9,07           | PHP 6-5V750 TB |
|         |                   |                      | 200,66             | A-1                | 3020                 | 203,20     | 8.00      | 31.75  | 76.20  | 112.71 | 19.05 | 50.80  | 42.86                    | 10,89          | PHP 6-5V800 TB |
|         |                   |                      | 213,36             | A-1                | 3020                 | 215,90     | 8.50      | 31.75  | 76.20  | 112.71 | 19.05 | 50.80  | 42.86                    | 12,70          | PHP 6-5V850 TB |
|         |                   |                      | 226,06             | A-1                | 3020                 | 228,60     | 9.00      | 31.75  | 76.20  | 112.71 | 19.05 | 50.80  | 42.86                    | 13,61          | PHP 6-5V900 TB |
| 232,41  |                   |                      | A-1                | 3535 <sup>1)</sup> | 234,95               | 9.25       | 50.80     | 100.01 | 112.71 | –      | 88.90 | 23.81  | 17,69                    | PHP 6-5V925 TB |                |
| 245,11  |                   | A-1                  | 3535 <sup>1)</sup> | 247,65             | 9.75                 | 50.80      | 100.01    | 112.71 | –      | 88.90  | 23.81 | 20,87  | PHP 6-5V975 TB           |                |                |

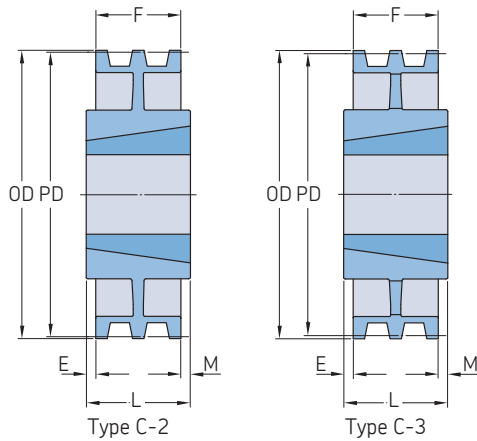
<sup>1)</sup> Taper bushing needs to conform to coarse thread series (UNC) of the ASME/ANSI standard. To complete designation, add U before bushing number and bore size at the end of designation, e.g. PHF TBU3535X70MM.

<sup>2)</sup> Mass does not include bushings.



# Narrow wedge belt pulleys

5V taper bushed | 8V taper bushed



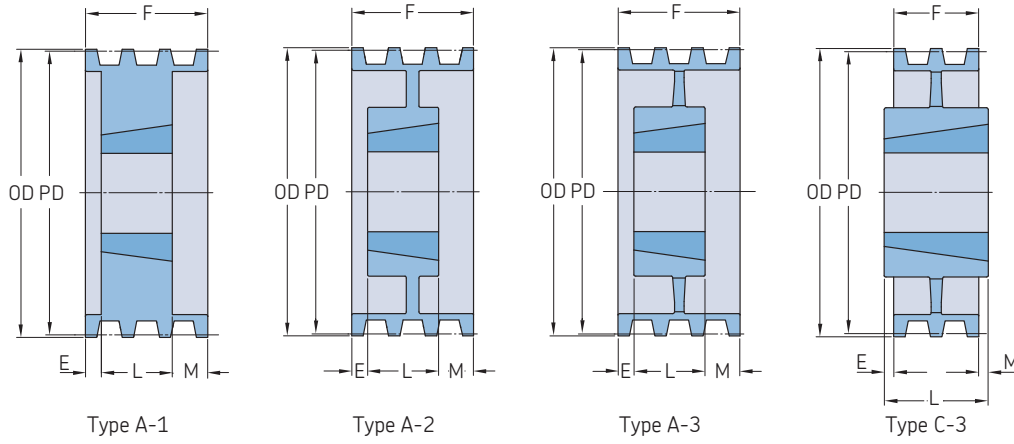
| Section | Number of grooves | Pitch diameter<br>PD | Pulley type        | Bushing number     | Dimensions           |        | B Min. | Max.   | F      | E      | L      | M      | Mass <sup>2)</sup> | Designation     |                |
|---------|-------------------|----------------------|--------------------|--------------------|----------------------|--------|--------|--------|--------|--------|--------|--------|--------------------|-----------------|----------------|
|         |                   |                      |                    |                    | Outer diameter<br>OD | in.    |        |        |        |        |        |        |                    |                 |                |
|         |                   | mm                   |                    |                    | mm                   | in.    |        |        |        |        |        |        | kg                 |                 |                |
| 5V      | 6                 | 259,08               | A-1                | 3535 <sup>1)</sup> | 261,62               | 10.30  | 50.80  | 100.01 | 112.71 | –      | 88.90  | 23.81  | 24,49              | PHP 6-5V1030 TB |                |
|         |                   | 274,32               | A-1                | 3535 <sup>1)</sup> | 276,86               | 10.90  | 50.80  | 100.01 | 112.71 | –      | 88.90  | 23.81  | 28,12              | PHP 6-5V1090 TB |                |
|         |                   | 297,18               | A-2                | 3535 <sup>1)</sup> | 299,72               | 11.80  | 50.80  | 100.01 | 112.71 | –      | 88.90  | 23.81  | 24,95              | PHP 6-5V1180 TB |                |
|         |                   | 314,96               | A-2                | 3535 <sup>1)</sup> | 317,50               | 12.50  | 50.80  | 100.01 | 112.71 | –      | 88.90  | 23.81  | 26,31              | PHP 6-5V1250 TB |                |
|         | 332,74            | A-2                  | 3535 <sup>1)</sup> | 335,28             | 13.20                | 50.80  | 100.01 | 112.71 | –      | 88.90  | 23.81  | 27,22  | PHP 6-5V1320 TB    |                 |                |
|         | 353,06            | A-2                  | 3535 <sup>1)</sup> | 355,60             | 14.00                | 50.80  | 100.01 | 112.71 | –      | 88.90  | 23.81  | 26,76  | PHP 6-5V1400 TB    |                 |                |
|         | 378,46            | A-2                  | 4040               | 381,00             | 15.00                | 44.45  | 112.71 | 112.71 | –      | 101.60 | 11.11  | 37,19  | PHP 6-5V1500 TB    |                 |                |
|         | 403,86            | A-2                  | 4040               | 406,40             | 16.00                | 44.45  | 112.71 | 112.71 | –      | 101.60 | 11.11  | 39,46  | PHP 6-5V1600 TB    |                 |                |
|         | 535,94            | A-3                  | 4040               | 538,48             | 21.20                | 44.45  | 112.71 | 112.71 | –      | 101.60 | 11.11  | 46,27  | PHP 6-5V2120 TB    |                 |                |
|         | 708,66            | A-3                  | 4040               | 711,20             | 28.00                | 44.45  | 112.71 | 112.71 | –      | 101.60 | 11.11  | 62,14  | PHP 6-5V2800 TB    |                 |                |
|         | 949,96            | C-3                  | 4545               | 952,50             | 37.50                | 57.15  | 125.41 | 112.71 | –      | 114.30 | 1.59   | 100,24 | PHP 6-5V3750 TB    |                 |                |
|         | 1267,46           | C-3                  | 4545               | 1270,00            | 50.00                | 57.15  | 125.41 | 112.71 | –      | 114.30 | 1.59   | 134,26 | PHP 6-5V5000 TB    |                 |                |
|         | 5V                | 8                    | 177,80             | A-1                | 3030                 | 180,34 | 7.10   | 31.75  | 76.20  | 147.64 | 25.40  | 76.20  | 46.04              | 10,89           | PHP 8-5V710TB  |
|         |                   |                      | 187,96             | A-1                | 3030                 | 190,50 | 7.50   | 31.75  | 76.20  | 147.64 | 25.40  | 76.20  | 46.04              | 12,70           | PHP 8-5V750TB  |
|         |                   |                      | 200,66             | A-1                | 3030                 | 203,20 | 8.00   | 31.75  | 76.20  | 147.64 | 25.40  | 76.20  | 46.04              | 14,97           | PHP 8-5V800TB  |
|         |                   |                      | 213,36             | A-1                | 3030                 | 215,90 | 8.50   | 31.75  | 76.20  | 147.64 | 25.40  | 76.20  | 46.04              | 17,24           | PHP 8-5V850TB  |
| 226,06  |                   | A-1                  | 3535 <sup>1)</sup> | 228,60             | 9.00                 | 50.80  | 100.01 | 147.64 | 25.40  | 88.90  | 33.34  | 19,96  | PHP 8-5V900TB      |                 |                |
| 232,41  |                   | A-1                  | 3535 <sup>1)</sup> | 234,95             | 9.25                 | 50.80  | 100.01 | 147.64 | 25.40  | 88.90  | 33.34  | 20,41  | PHP 8-5V925TB      |                 |                |
| 245,11  |                   | A-1                  | 3535 <sup>1)</sup> | 247,65             | 9.75                 | 50.80  | 100.01 | 147.64 | 25.40  | 88.90  | 33.34  | 23,13  | PHP 8-5V975TB      |                 |                |
| 259,08  |                   | A-1                  | 3535 <sup>1)</sup> | 261,62             | 10.30                | 50.80  | 100.01 | 147.64 | 25.40  | 88.90  | 33.34  | 27,22  | PHP 8-5V1030TB     |                 |                |
| 274,32  |                   | A-1                  | 3535 <sup>1)</sup> | 276,86             | 10.90                | 50.80  | 100.01 | 147.64 | 25.40  | 88.90  | 33.34  | 30,84  | PHP 8-5V1090TB     |                 |                |
| 297,18  |                   | A-2                  | 3535 <sup>1)</sup> | 299,72             | 11.80                | 50.80  | 100.01 | 147.64 | 25.40  | 88.90  | 33.34  | 28,58  | PHP 8-5V1180TB     |                 |                |
| 314,96  |                   | A-2                  | 4040               | 317,50             | 12.50                | 44.45  | 112.71 | 147.64 | 6.35   | 101.60 | 39.69  | 37,19  | PHP 8-5V1250TB     |                 |                |
| 332,74  |                   | A-2                  | 4040               | 335,28             | 13.20                | 44.45  | 112.71 | 147.64 | 6.35   | 101.60 | 39.69  | 37,19  | PHP 8-5V1320TB     |                 |                |
| 353,06  |                   | A-2                  | 4040               | 355,60             | 14.00                | 44.45  | 112.71 | 147.64 | 6.35   | 101.60 | 39.69  | 39,46  | PHP 8-5V1400TB     |                 |                |
| 378,46  |                   | A-2                  | 4040               | 381,00             | 15.00                | 44.45  | 112.71 | 147.64 | 6.35   | 101.60 | 39.69  | 44,00  | PHP 8-5V1500TB     |                 |                |
| 403,86  |                   | A-2                  | 4040               | 406,40             | 16.00                | 44.45  | 112.71 | 147.64 | 6.35   | 101.60 | 39.69  | 46,27  | PHP 8-5V1600TB     |                 |                |
| 535,94  |                   | A-3                  | 4040               | 538,48             | 21.20                | 44.45  | 112.71 | 147.64 | 6.35   | 101.60 | 39.69  | 55,34  | PHP 8-5V2120TB     |                 |                |
| 708,66  |                   | A-3                  | 4545               | 711,20             | 28.00                | 57.15  | 125.41 | 147.64 | 6.35   | 114.30 | 26.99  | 79,83  | PHP 8-5V2800TB     |                 |                |
| 949,96  |                   | A-3                  | 4545               | 952,50             | 37.50                | 57.15  | 125.41 | 147.64 | 6.35   | 114.30 | 26.99  | 122,92 | PHP 8-5V3750TB     |                 |                |
| 1267,46 |                   | A-3                  | 4545               | 1270,00            | 50.00                | 57.15  | 125.41 | 147.64 | 6.35   | 114.30 | 26.99  | 161,48 | PHP 8-5V5000TB     |                 |                |
| 5V      |                   | 10                   | 200,66             | A-1                | 3030                 | 203,20 | 8.00   | 31.75  | 76.20  | 182.56 | 25.40  | 76.20  | 80.96              | 16,33           | PHP 10-5V800TB |
|         |                   |                      | 213,36             | A-1                | 3030                 | 215,90 | 8.50   | 31.75  | 76.20  | 182.56 | 25.40  | 76.20  | 80.96              | 19,05           | PHP 10-5V850TB |
|         |                   |                      | 226,06             | A-1                | 3535 <sup>1)</sup>   | 228,60 | 9.00   | 50.80  | 100.01 | 182.56 | 25.40  | 88.90  | 68.26              | 21,32           | PHP 10-5V900TB |
|         |                   |                      | 232,41             | A-1                | 4040                 | 234,95 | 9.25   | 44.45  | 112.71 | 182.56 | 25.40  | 101.60 | 55.03              | 20,87           | PHP 10-5V925TB |
|         |                   | 245,11               | A-1                | 4040               | 247,65               | 9.75   | 44.45  | 112.71 | 182.56 | 25.40  | 101.60 | 55.03  | 24,49              | PHP 10-5V975TB  |                |
|         | 259,08            | A-1                  | 4040               | 261,62             | 10.30                | 44.45  | 112.71 | 182.56 | 25.40  | 101.60 | 55.03  | 29,03  | PHP 10-5V1030TB    |                 |                |
|         | 274,32            | A-1                  | 4040               | 276,86             | 10.90                | 44.45  | 112.71 | 182.56 | 25.40  | 101.60 | 55.03  | 33,11  | PHP 10-5V1090TB    |                 |                |
|         | 284,48            | A-1                  | 4040               | 287,02             | 11.30                | 44.45  | 112.71 | 182.56 | 25.40  | 101.60 | 55.03  | 41,73  | PHP 10-5V1130TB    |                 |                |
|         | 297,18            | A-1                  | 4040               | 299,72             | 11.80                | 44.45  | 112.71 | 182.56 | 25.40  | 101.60 | 55.03  | 39,46  | PHP 10-5V1180TB    |                 |                |
|         | 314,96            | A-2                  | 4040               | 317,50             | 12.50                | 44.45  | 112.71 | 182.56 | 19.05  | 101.60 | 55.03  | 39,46  | PHP 10-5V1250TB    |                 |                |
|         | 332,74            | A-2                  | 4040               | 335,28             | 13.20                | 44.45  | 112.71 | 182.56 | 19.05  | 101.60 | 61.91  | 48,08  | PHP 10-5V1320TB    |                 |                |
|         | 353,06            | A-2                  | 4545               | 355,60             | 14.00                | 57.15  | 112.71 | 182.56 | 19.05  | 114.30 | 61.91  | 52,62  | PHP 10-5V1400TB    |                 |                |
|         | 378,46            | A-2                  | 4545               | 381,00             | 15.00                | 57.15  | 125.41 | 182.56 | 19.05  | 114.30 | 49.21  | 57,15  | PHP 10-5V1500TB    |                 |                |
|         | 403,86            | A-2                  | 4545               | 406,40             | 16.00                | 57.15  | 125.41 | 182.56 | 19.05  | 114.30 | 49.21  | 59,42  | PHP 10-5V1600TB    |                 |                |
|         | 472,44            | A-2                  | 4545               | 474,98             | 18.70                | 57.15  | 125.41 | 182.56 | 19.05  | 114.30 | 49.21  | 61,69  | PHP 10-5V1870TB    |                 |                |
|         | 535,94            | A-3                  | 4545               | 538,48             | 21.20                | 57.15  | 125.41 | 182.56 | 19.05  | 114.30 | 49.21  | 63,05  | PHP 10-5V2120TB    |                 |                |
|         | 708,66            | A-3                  | 4545               | 711,20             | 28.00                | 57.15  | 125.41 | 182.56 | 19.05  | 114.30 | 49.21  | 86,64  | PHP 10-5V2800TB    |                 |                |
|         | 949,96            | A-3                  | 4545               | 952,50             | 37.50                | 57.15  | 125.41 | 182.56 | 19.05  | 114.30 | 49.21  | 143,34 | PHP 10-5V3750TB    |                 |                |
|         | 1267,46           | A-3                  | 5050               | 1270,00            | 50.00                | 69.85  | 127.00 | 182.56 | 19.05  | 127.00 | 36.51  | 194,14 | PHP 10-5V5000TB    |                 |                |
|         | 8V                | 4                    | 312,42             | A-1                | 4040                 | 317,50 | 12.50  | 44.45  | 112.71 | 123.83 | –      | 101.60 | 22.23              | 41,73           | PHP 4-8V1250TB |
|         |                   |                      | 330,20             | A-1                | 4040                 | 335,28 | 13.20  | 44.45  | 112.71 | 123.83 | –      | 101.60 | 22.23              | 48,53           | PHP 4-8V1320TB |
|         |                   |                      | 350,52             | A-1                | 4040                 | 355,60 | 14.00  | 44.45  | 125.41 | 123.83 | –      | 114.30 | 9.53               | 57,15           | PHP 4-8V1400TB |

<sup>1)</sup> Taper bushing needs to conform to coarse thread series (UNC) of the ASME/ANSI standard. To complete designation, add U before bushing number and bore size at the end of designation, e.g. PHF TBU3535X70MM.

<sup>2)</sup> Mass does not include bushings.

# Narrow wedge belt pulleys

8V taper bushed



| Section | Number of grooves | Pitch diameter<br>PD | Pulley type | Bushing number | Dimensions           |            | B<br>Min. | Max.   | F      | E      | L      | M      | Mass <sup>1)</sup><br>kg | Designation    |                |
|---------|-------------------|----------------------|-------------|----------------|----------------------|------------|-----------|--------|--------|--------|--------|--------|--------------------------|----------------|----------------|
|         |                   |                      |             |                | Outer diameter<br>OD | <i>in.</i> |           |        |        |        |        |        |                          |                |                |
|         |                   | mm                   |             |                | mm                   | <i>in.</i> |           |        |        |        |        |        |                          | kg             |                |
| 8V      | 4                 | 375,92               | A-1         | 4040           | 381,00               | 15.00      | 44,45     | 125,41 | 123,83 | –      | 114,30 | 9,53   | 52,62                    | PHP 4-8V1500TB |                |
|         |                   | 401,32               | A-2         | 4040           | 406,40               | 16.00      | 44,45     | 125,41 | 123,83 | –      | 114,30 | 9,53   | 57,15                    | PHP 4-8V1600TB |                |
|         |                   | 426,72               | A-2         | 4040           | 431,80               | 17.00      | 44,45     | 125,41 | 123,83 | –      | 114,30 | 9,53   | 61,69                    | PHP 4-8V1700TB |                |
|         |                   | 452,12               | A-2         | 4040           | 457,20               | 18.00      | 44,45     | 125,41 | 123,83 | –      | 114,30 | 9,53   | 66,22                    | PHP 4-8V1800TB |                |
|         | 477,52            | A-2                  | 4040        | 482,60         | 19.00                | 44,45      | 125,41    | 123,83 | –      | 114,30 | 9,53   | 73,03  | PHP 4-8V1900TB           |                |                |
|         | 502,92            | A-2                  | 4545        | 508,00         | 20.00                | 57,15      | 125,41    | 123,83 | –      | 114,30 | 9,53   | 77,56  | PHP 4-8V2000TB           |                |                |
|         | 533,40            | A-3                  | 4545        | 538,48         | 21.20                | 57,15      | 125,41    | 123,83 | –      | 114,30 | 9,53   | 66,22  | PHP 4-8V2120TB           |                |                |
|         | 563,88            | A-3                  | 4545        | 568,96         | 22.40                | 57,15      | 125,41    | 123,83 | –      | 114,30 | 9,53   | 73,03  | PHP 4-8V2240TB           |                |                |
|         | 756,92            | A-3                  | 4545        | 762,00         | 30.00                | 57,15      | 125,41    | 123,83 | –      | 114,30 | 9,53   | 113,85 | PHP 4-8V3000TB           |                |                |
|         | 896,62            | A-3                  | 4545        | 901,70         | 35.50                | 57,15      | 125,41    | 123,83 | –      | 114,30 | 9,53   | 129,27 | PHP 4-8V3550TB           |                |                |
|         | 1010,92           | C-3                  | 5050        | 1016,00        | 40.00                | 69,85      | 127,00    | 123,83 | –      | 127,00 | 3,18   | 143,34 | PHP 4-8V4000TB           |                |                |
|         | 1125,22           | C-3                  | 5050        | 1130,30        | 44.50                | 69,85      | 127,00    | 123,83 | –      | 127,00 | 3,18   | 185,07 | PHP 4-8V4450TB           |                |                |
|         | 1341,12           | C-3                  | 5050        | 1346,20        | 53.00                | 69,85      | 127,00    | 123,83 | –      | 127,00 | 3,18   | 215,91 | PHP 4-8V5300TB           |                |                |
|         | 8V                | 5                    | 312,42      | A-1            | 4040                 | 317,50     | 12.50     | 44,45  | 125,41 | 152,40 | –      | 114,30 | 38,10                    | 43,54          | PHP 5-8V1250TB |
|         |                   |                      | 330,20      | A-1            | 4040                 | 335,28     | 13.20     | 44,45  | 125,41 | 152,40 | –      | 114,30 | 38,10                    | 52,62          | PHP 5-8V1320TB |
|         |                   |                      | 350,52      | A-1            | 4040                 | 355,60     | 14.00     | 44,45  | 125,41 | 152,40 | –      | 114,30 | 38,10                    | 61,69          | PHP 5-8V1400TB |
|         |                   |                      | 375,92      | A-1            | 4040                 | 381,00     | 15.00     | 44,45  | 125,41 | 152,40 | –      | 114,30 | 38,10                    | 59,42          | PHP 5-8V1500TB |
|         |                   | 401,32               | A-1         | 4040           | 406,40               | 16.00      | 44,45     | 125,41 | 152,40 | –      | 114,30 | 38,10  | 63,96                    | PHP 5-8V1600TB |                |
|         |                   | 426,72               | A-2         | 4040           | 431,80               | 17.00      | 44,45     | 125,41 | 152,40 | –      | 114,30 | 38,10  | 66,22                    | PHP 5-8V1700TB |                |
|         |                   | 452,12               | A-2         | 4040           | 457,20               | 18.00      | 44,45     | 125,41 | 152,40 | –      | 114,30 | 38,10  | 70,76                    | PHP 5-8V1800TB |                |
| 477,52  |                   | A-2                  | 4040        | 482,60         | 19.00                | 44,45      | 125,41    | 152,40 | –      | 114,30 | 38,10  | 79,83  | PHP 5-8V1900TB           |                |                |
| 502,92  |                   | A-2                  | 4545        | 508,00         | 20.00                | 57,15      | 125,41    | 152,40 | –      | 114,30 | 38,10  | 84,37  | PHP 5-8V2000TB           |                |                |
| 533,40  |                   | A-3                  | 4545        | 538,48         | 21.20                | 57,15      | 125,41    | 152,40 | –      | 114,30 | 38,10  | 73,03  | PHP 5-8V2120TB           |                |                |
| 563,88  |                   | A-3                  | 4545        | 568,96         | 22.40                | 57,15      | 125,41    | 152,40 | –      | 114,30 | 38,10  | 79,83  | PHP 5-8V2240TB           |                |                |
| 624,84  |                   | A-3                  | 4545        | 629,92         | 24.80                | 57,15      | 125,41    | 152,40 | –      | 114,30 | 38,10  | 106,59 | PHP 5-8V2480TB           |                |                |
| 756,92  |                   | A-3                  | 4545        | 762,00         | 30.00                | 57,15      | 125,41    | 152,40 | –      | 114,30 | 38,10  | 122,92 | PHP 5-8V3000TB           |                |                |
| 896,62  |                   | A-3                  | 4545        | 901,70         | 35.50                | 57,15      | 125,41    | 152,40 | –      | 114,30 | 38,10  | 147,42 | PHP 5-8V3550TB           |                |                |
| 1010,92 |                   | A-3                  | 5050        | 1016,00        | 40.00                | 69,85      | 127,00    | 152,40 | –      | 127,00 | 25,40  | 158,76 | PHP 5-8V4000TB           |                |                |
| 1125,22 |                   | A-3                  | 5050        | 1130,30        | 44.50                | 69,85      | 127,00    | 152,40 | –      | 127,00 | 25,40  | 186,43 | PHP 5-8V4450TB           |                |                |
| 1341,12 |                   | A-3                  | 5050        | 1346,20        | 53.00                | 69,85      | 127,00    | 152,40 | –      | 127,00 | 25,40  | 256,28 | PHP 5-8V5300TB           |                |                |
| 8V      |                   | 6                    | 312,42      | A-1            | 4545                 | 317,50     | 12.50     | 57,15  | 125,41 | 155,58 | 12,70  | 114,30 | 53,98                    | 47,63          | PHP 6-8V1250TB |
|         |                   |                      | 330,20      | A-1            | 4545                 | 335,28     | 13.20     | 57,15  | 125,41 | 155,58 | 12,70  | 114,30 | 53,98                    | 56,70          | PHP 6-8V1320TB |
|         |                   |                      | 350,52      | A-1            | 4545                 | 355,60     | 14.00     | 57,15  | 125,41 | 155,58 | 12,70  | 114,30 | 53,98                    | 65,77          | PHP 6-8V1400TB |
|         | 375,92            |                      | A-1         | 4545           | 381,00               | 15.00      | 57,15     | 125,41 | 155,58 | 12,70  | 114,30 | 53,98  | 77,11                    | PHP 6-8V1500TB |                |
|         | 401,32            | A-2                  | 4545        | 406,40         | 16.00                | 57,15      | 125,41    | 155,58 | 12,70  | 114,30 | 53,98  | 65,77  | PHP 6-8V1600TB           |                |                |
|         | 426,72            | A-2                  | 4545        | 431,80         | 17.00                | 57,15      | 125,41    | 155,58 | 12,70  | 114,30 | 53,98  | 68,04  | PHP 6-8V1700TB           |                |                |
|         | 452,12            | A-2                  | 4545        | 457,20         | 18.00                | 57,15      | 125,41    | 155,58 | 12,70  | 114,30 | 53,98  | 72,57  | PHP 6-8V1800TB           |                |                |
|         | 477,52            | A-2                  | 4545        | 482,60         | 19.00                | 57,15      | 125,41    | 155,58 | 12,70  | 114,30 | 53,98  | 83,91  | PHP 6-8V1900TB           |                |                |
|         | 502,92            | A-2                  | 4545        | 508,00         | 20.00                | 57,15      | 125,41    | 155,58 | 12,70  | 114,30 | 53,98  | 90,72  | PHP 6-8V2000TB           |                |                |
|         | 533,40            | A-3                  | 4545        | 538,48         | 21.20                | 57,15      | 125,41    | 155,58 | 12,70  | 114,30 | 53,98  | 77,11  | PHP 6-8V2120TB           |                |                |
|         | 563,88            | A-3                  | 4545        | 568,96         | 22.40                | 57,15      | 125,41    | 155,58 | 12,70  | 114,30 | 53,98  | 81,65  | PHP 6-8V2240TB           |                |                |
|         | 624,84            | A-3                  | 4545        | 629,92         | 24.80                | 57,15      | 125,41    | 155,58 | 12,70  | 114,30 | 53,98  | 107,95 | PHP 6-8V2480TB           |                |                |
|         | 756,92            | A-3                  | 5050        | 762,00         | 30.00                | 69,85      | 127,00    | 155,58 | 12,70  | 127,00 | 41,28  | 129,27 | PHP 6-8V3000TB           |                |                |
|         | 896,62            | A-3                  | 5050        | 901,70         | 35.50                | 69,85      | 127,00    | 155,58 | 12,70  | 127,00 | 41,28  | 152,41 | PHP 6-8V3550TB           |                |                |
|         | 1010,92           | A-3                  | 5050        | 1016,00        | 40.00                | 69,85      | 127,00    | 155,58 | 12,70  | 127,00 | 41,28  | 170,10 | PHP 6-8V4000TB           |                |                |
|         | 1125,22           | A-3                  | 5050        | 1130,30        | 44.50                | 69,85      | 127,00    | 155,58 | 12,70  | 127,00 | 41,28  | 197,77 | PHP 6-8V4450TB           |                |                |
|         | 1341,12           | A-3                  | 5050        | 1346,20        | 53.00                | 69,85      | 127,00    | 155,58 | 12,70  | 127,00 | 41,28  | 269,89 | PHP 6-8V5300TB           |                |                |
|         | 8V                | 8                    | 312,42      | A-1            | 4545                 | 317,50     | 12.50     | 57,15  | 125,41 | 238,13 | 38,10  | 114,30 | 85,73                    | 56,70          | PHP 8-8V1250TB |
|         |                   |                      | 330,20      | A-1            | 4545                 | 335,28     | 13.20     | 57,15  | 125,41 | 238,13 | 38,10  | 114,30 | 85,73                    | 61,23          | PHP 8-8V1320TB |
|         |                   |                      | 350,52      | A-1            | 4545                 | 355,60     | 14.00     | 57,15  | 125,41 | 238,13 | 38,10  | 114,30 | 85,73                    | 70,31          | PHP 8-8V1400TB |
| 375,92  |                   |                      | A-1         | 4545           | 381,00               | 15.00      | 57,15     | 125,41 | 238,13 | 38,10  | 114,30 | 85,73  | 81,65                    | PHP 8-8V1500TB |                |
| 401,32  |                   |                      | A-1         | 4545           | 406,40               | 16.00      | 57,15     | 125,41 | 238,13 | 38,10  | 114,30 | 85,73  | 72,57                    | PHP 8-8V1600TB |                |

<sup>1)</sup> Mass does not include bushings.

# Narrow wedge belt pulleys

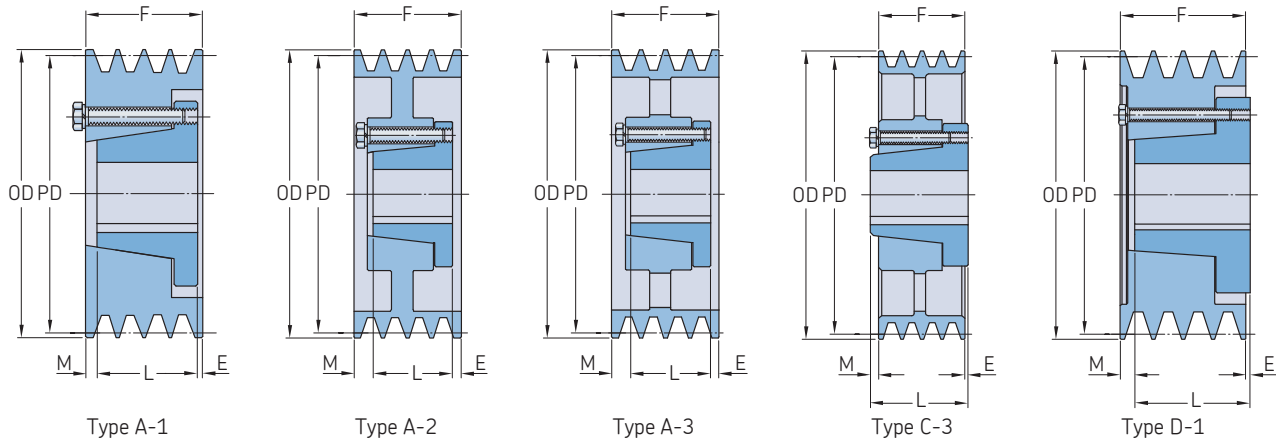
## 8V taper bushed

| Section | Number of grooves | Pitch diameter<br>PD | Pulley type | Bushing number | Dimensions           |            | B<br>Min. | Max.   | F      | E      | L      | M      | Mass <sup>1)</sup><br>kg | Designation     |                 |
|---------|-------------------|----------------------|-------------|----------------|----------------------|------------|-----------|--------|--------|--------|--------|--------|--------------------------|-----------------|-----------------|
|         |                   |                      |             |                | Outer diameter<br>OD | <i>in.</i> |           |        |        |        |        |        |                          |                 |                 |
| –       | –                 | mm                   | –           | –              | mm                   | <i>in.</i> |           |        |        |        |        |        |                          | –               |                 |
| 8V      | 8                 | 426,72               | A-2         | 5050           | 431,80               | 17.00      | 69,85     | 127,00 | 238,13 | 38,10  | 127,00 | 85,73  | 79,83                    | PHP 8-8V1700TB  |                 |
|         |                   | 452,12               | A-2         | 5050           | 457,20               | 18.00      | 69,85     | 127,00 | 238,13 | 25,40  | 127,00 | 85,73  | 86,18                    | PHP 8-8V1800TB  |                 |
|         |                   | 477,52               | A-2         | 5050           | 482,60               | 19.00      | 69,85     | 127,00 | 238,13 | 25,40  | 127,00 | 85,73  | 95,25                    | PHP 8-8V1900TB  |                 |
|         |                   | 502,92               | A-2         | 5050           | 508,00               | 20.00      | 69,85     | 127,00 | 238,13 | 25,40  | 127,00 | 85,73  | 102,06                   | PHP 8-8V2000TB  |                 |
|         |                   | 533,40               | A-2         | 5050           | 538,48               | 21.20      | 69,85     | 127,00 | 238,13 | 25,40  | 127,00 | 85,73  | 111,13                   | PHP 8-8V2120TB  |                 |
|         | 563,88            | A-3                  | 5050        | 568,96         | 22.40                | 69,85      | 127,00    | 238,13 | 25,40  | 127,00 | 85,73  | 136,08 | PHP 8-8V2240TB           |                 |                 |
|         | 624,84            | A-3                  | 5050        | 629,92         | 24.80                | 69,85      | 127,00    | 238,13 | 25,40  | 127,00 | 85,73  | 140,16 | PHP 8-8V2480TB           |                 |                 |
|         | 756,92            | A-3                  | 5050        | 762,00         | 30.00                | 69,85      | 127,00    | 238,13 | 25,40  | 127,00 | 85,73  | 142,88 | PHP 8-8V3000TB           |                 |                 |
|         | 896,62            | A-3                  | 5050        | 901,70         | 35.50                | 69,85      | 127,00    | 238,13 | 25,40  | 127,00 | 85,73  | 188,24 | PHP 8-8V3550TB           |                 |                 |
|         | 1010,92           | A-3                  | 5050        | 1016,00        | 40.00                | 69,85      | 127,00    | 238,13 | 25,40  | 127,00 | 85,73  | 213,19 | PHP 8-8V4000TB           |                 |                 |
|         | 1125,22           | A-3                  | 5050        | 1130,30        | 44.50                | 69,85      | 127,00    | 238,13 | 25,40  | 127,00 | 85,73  | 265,35 | PHP 8-8V4450TB           |                 |                 |
|         | 1341,12           | A-3                  | 6050        | 1346,20        | 53.00                | 69,85      | 127,00    | 238,13 | 25,40  | 127,00 | 85,73  | 317,51 | PHP 8-8V5300TB           |                 |                 |
|         | 8V                | 10                   | 330,20      | A-1            | 4545                 | 335,28     | 13.20     | 57,15  | 125,41 | 295,28 | 25,40  | 114,30 | 155,58                   | 68,04           | PHP 10-8V1320TB |
|         |                   |                      | 350,52      | A-1            | 4545                 | 355,60     | 14.00     | 57,15  | 125,41 | 295,28 | 25,40  | 114,30 | 155,58                   | 79,38           | PHP 10-8V1400TB |
|         |                   |                      | 375,92      | A-1            | 5050                 | 381,00     | 15.00     | 69,85  | 127,00 | 295,28 | 25,40  | 127,00 | 142,88                   | 79,38           | PHP 10-8V1500TB |
|         |                   |                      | 401,32      | A-1            | 5050                 | 406,40     | 16.00     | 69,85  | 127,00 | 295,28 | 25,40  | 127,00 | 142,88                   | 99,79           | PHP 10-8V1600TB |
| 426,72  |                   |                      | A-2         | 5050           | 431,80               | 17.00      | 69,85     | 127,00 | 295,28 | 57,15  | 127,00 | 111,13 | 83,91                    | PHP 10-8V1700TB |                 |
| 452,12  |                   | A-2                  | 5050        | 457,20         | 18.00                | 69,85      | 127,00    | 295,28 | 57,15  | 127,00 | 111,13 | 99,79  | PHP 10-8V1800TB          |                 |                 |
| 477,52  |                   | A-2                  | 5050        | 482,60         | 19.00                | 69,85      | 127,00    | 295,28 | 57,15  | 127,00 | 111,13 | 108,86 | PHP 10-8V1900TB          |                 |                 |
| 502,92  |                   | A-2                  | 5050        | 508,00         | 20.00                | 69,85      | 127,00    | 295,28 | 57,15  | 127,00 | 111,13 | 117,93 | PHP 10-8V2000TB          |                 |                 |
| 533,40  |                   | A-2                  | 5050        | 538,48         | 21.20                | 69,85      | 127,00    | 295,28 | 57,15  | 127,00 | 111,13 | 127,01 | PHP 10-8V2120TB          |                 |                 |
| 563,88  |                   | A-3                  | 5050        | 568,96         | 22.40                | 69,85      | 127,00    | 295,28 | 57,15  | 127,00 | 111,13 | 151,95 | PHP 10-8V2240TB          |                 |                 |
| 624,84  |                   | A-3                  | 5050        | 629,92         | 24.80                | 69,85      | 127,00    | 295,28 | 57,15  | 127,00 | 111,13 | 162,39 | PHP 10-8V2480TB          |                 |                 |
| 756,92  |                   | A-3                  | 5050        | 762,00         | 30.00                | 69,85      | 127,00    | 295,28 | 57,15  | 127,00 | 111,13 | 167,83 | PHP 10-8V3000TB          |                 |                 |
| 896,62  |                   | A-3                  | 5050        | 901,70         | 35.50                | 69,85      | 127,00    | 295,28 | 57,15  | 127,00 | 111,13 | 217,72 | PHP 10-8V3550TB          |                 |                 |
| 1010,92 |                   | A-3                  | 5050        | 1016,00        | 40.00                | 69,85      | 127,00    | 295,28 | 57,15  | 127,00 | 111,13 | 249,48 | PHP 10-8V4000TB          |                 |                 |
| 1125,22 |                   | A-3                  | 6050        | 1130,30        | 44.50                | 69,85      | 127,00    | 295,28 | 57,15  | 127,00 | 111,13 | 306,17 | PHP 10-8V4450TB          |                 |                 |
| 1341,12 |                   | A-3                  | 6050        | 1346,20        | 53.00                | 69,85      | 127,00    | 295,28 | 57,15  | 127,00 | 111,13 | 394,63 | PHP 10-8V5300TB          |                 |                 |

<sup>1)</sup> Mass does not include bushings.

# Narrow wedge belt pulleys

3V QD bushed

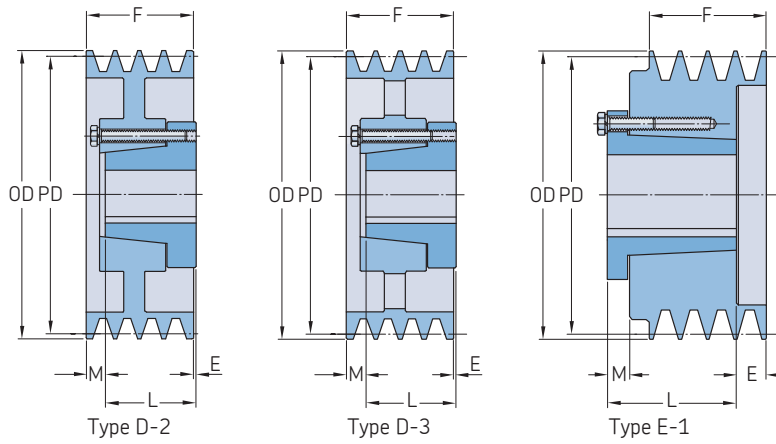


| Section | Number of grooves | Pitch diameter<br>PD | Pulley type | Bushing number | Dimensions        |       | Bore Min. | Bore Max. | E     | F     | L     | M               | Mass <sup>1)</sup> | Designation      |
|---------|-------------------|----------------------|-------------|----------------|-------------------|-------|-----------|-----------|-------|-------|-------|-----------------|--------------------|------------------|
|         |                   |                      |             |                | Outer diameter OD | in.   |           |           |       |       |       |                 |                    |                  |
| mm      | mm                | mm                   | mm          | mm             | mm                | mm    | mm        | mm        | mm    | mm    | mm    | mm              | kg                 |                  |
| 3V      | 1                 | 54,61                | E-1         | JA             | 55,88             | 2.20  | 12,70     | 31,75     | 15,88 | 17,46 | 25,40 | 24              | 0,2                | PHP 1-3V220-JA   |
|         |                   | 58,42                | E-1         | JA             | 59,69             | 2.35  | 12,70     | 31,75     | 15,08 | 17,46 | 25,40 | 23              | 0,2                | PHP 1-3V235-JA   |
|         |                   | 62,23                | E-1         | JA             | 63,50             | 2.50  | 12,70     | 31,75     | 15,08 | 17,46 | 25,40 | 23              | 0,2                | PHP 1-3V250-JA   |
|         |                   | 66,04                | D-1         | JA             | 67,31             | 2.65  | 12,70     | 31,75     | 9,53  | 17,46 | 25,40 | 2               | 0,3                | PHP 1-3V265-JA   |
|         |                   | 69,85                | D-1         | JA             | 71,12             | 2.80  | 12,70     | 31,75     | 9,53  | 17,46 | 25,40 | 2               | 0,3                | PHP 1-3V280-JA   |
|         |                   | 74,93                | D-1         | JA             | 76,20             | 3.00  | 12,70     | 31,75     | 9,53  | 17,46 | 25,40 | 2               | 0,4                | PHP 1-3V300-JA   |
|         |                   | 78,74                | D-1         | JA             | 80,01             | 3.15  | 12,70     | 31,75     | 9,53  | 17,46 | 25,40 | 2               | 0,4                | PHP 1-3V315-JA   |
|         |                   | 83,82                | D-1         | JA             | 85,09             | 3.35  | 12,70     | 31,75     | 9,53  | 17,46 | 25,40 | 2               | 0,5                | PHP 1-3V335-JA   |
|         |                   | 91,44                | D-1         | SH             | 92,71             | 3.65  | 12,70     | 41,28     | 16,67 | 17,46 | 33,34 | 1               | 0,6                | PHP 1-3V365-SH   |
|         |                   | 103,38               | D-1         | SH             | 104,65            | 4.12  | 12,70     | 41,28     | 16,67 | 17,46 | 33,34 | 1               | 0,8                | PHP 1-3V412-SH   |
|         |                   | 113,03               | D-1         | SH             | 114,30            | 4.50  | 12,70     | 41,28     | 16,67 | 17,46 | 33,34 | 1               | 1,0                | PHP 1-3V450-SH   |
|         |                   | 119,38               | D-1         | SH             | 120,65            | 4.75  | 12,70     | 41,28     | 16,67 | 17,46 | 33,34 | 1               | 1,1                | PHP 1-3V475-SH   |
|         |                   | 125,73               | D-1         | SH             | 127,00            | 5.00  | 12,70     | 41,28     | 16,67 | 17,46 | 33,34 | 1               | 1,2                | PHP 1-3V500-SH   |
|         |                   | 133,35               | D-1         | SH             | 134,62            | 5.30  | 12,70     | 41,28     | 16,67 | 17,46 | 33,34 | 1               | 1,3                | PHP 1-3V530-SH   |
|         |                   | 140,97               | D-2         | SH             | 142,24            | 5.60  | 12,70     | 41,28     | 16,67 | 17,46 | 33,34 | 1               | 1,4                | PHP 1-3V560-SH   |
|         |                   | 151,13               | D-2         | SH             | 152,40            | 6.00  | 12,70     | 41,28     | 16,67 | 17,46 | 33,34 | 1               | 1,5                | PHP 1-3V600-SH   |
|         |                   | 163,83               | D-2         | SH             | 165,10            | 6.50  | 12,70     | 41,28     | 16,67 | 17,46 | 33,34 | 1               | 1,9                | PHP 1-3V650-SH   |
|         |                   | 173,99               | D-3         | SH             | 175,26            | 6.90  | 12,70     | 41,28     | 16,67 | 17,46 | 33,34 | 1               | 2,0                | PHP 1-3V690-SH   |
|         |                   | 201,93               | D-3         | SDS            | 203,20            | 8.00  | 12,70     | 50,80     | 16,67 | 17,46 | 33,34 | 1               | 2,6                | PHP 1-3V800-SDS  |
|         |                   | 267,97               | D-3         | SDS            | 269,24            | 10.60 | 12,70     | 50,80     | 16,67 | 17,46 | 33,34 | 1               | 3,6                | PHP 1-3V1060-SDS |
| 354,33  | C-3               | SK                   | 355,60      | 14.00          | 12,70             | 66,68 | 19,84     | 17,46     | 33,34 | 12    | 6,7   | PHP 1-3V1400-SK |                    |                  |
| 481,33  | C-3               | SK                   | 482,60      | 19.00          | 12,70             | 66,68 | 19,84     | 17,46     | 33,34 | 12    | 10,9  | PHP 1-3V1900-SK |                    |                  |
| 3V      | 2                 | 54,61                | E-1         | JA             | 55,88             | 2.20  | 12,70     | 31,75     | 8,73  | 27,78 | 25,40 | 24              | 0,3                | PHP 2-3V220-JA   |
|         |                   | 58,42                | E-1         | JA             | 59,69             | 2.35  | 12,70     | 31,75     | 25,40 | 27,78 | 25,40 | 23              | 0,3                | PHP 2-3V235-JA   |
|         |                   | 62,23                | E-1         | JA             | 63,50             | 2.50  | 12,70     | 31,75     | 25,40 | 27,78 | 25,40 | 23              | 0,3                | PHP 2-3V250-JA   |
|         |                   | 66,04                | D-1         | JA             | 67,31             | 2.65  | 12,70     | 31,75     | 9,53  | 27,78 | 25,40 | 12              | 0,4                | PHP 2-3V265-JA   |
|         |                   | 69,85                | D-1         | JA             | 71,12             | 2.80  | 12,70     | 31,75     | 9,53  | 27,78 | 25,40 | 12              | 0,4                | PHP 2-3V280-JA   |
|         |                   | 74,93                | D-1         | JA             | 76,20             | 3.00  | 12,70     | 31,75     | 9,53  | 27,78 | 25,40 | 12              | 0,5                | PHP 2-3V300-JA   |
|         |                   | 78,74                | D-1         | JA             | 80,01             | 3.15  | 12,70     | 31,75     | 9,53  | 27,78 | 25,40 | 12              | 0,5                | PHP 2-3V315-JA   |
|         |                   | 83,82                | D-1         | SH             | 85,09             | 3.35  | 12,70     | 41,28     | 13,49 | 27,78 | 33,34 | 8               | 0,6                | PHP 2-3V335-SH   |
|         |                   | 91,44                | D-1         | SH             | 92,71             | 3.65  | 12,70     | 41,28     | 13,49 | 27,78 | 33,34 | 8               | 0,7                | PHP 2-3V365-SH   |
|         |                   | 103,38               | D-1         | SH             | 104,65            | 4.12  | 12,70     | 41,28     | 8,73  | 27,78 | 33,34 | 3               | 1,0                | PHP 2-3V412-SH   |
|         |                   | 113,03               | D-1         | SH             | 114,30            | 4.50  | 12,70     | 41,28     | 8,73  | 27,78 | 33,34 | 3               | 1,2                | PHP 2-3V450-SH   |
|         |                   | 119,38               | D-1         | SH             | 120,65            | 4.75  | 12,70     | 41,28     | 8,73  | 27,78 | 33,34 | 3               | 1,4                | PHP 2-3V475-SH   |
|         |                   | 125,73               | D-1         | SH             | 127,00            | 5.00  | 12,70     | 41,28     | 8,73  | 27,78 | 33,34 | 3               | 1,5                | PHP 2-3V500-SH   |
|         |                   | 133,35               | D-1         | SH             | 134,62            | 5.30  | 12,70     | 41,28     | 8,73  | 27,78 | 33,34 | 3               | 1,8                | PHP 2-3V530-SH   |
|         |                   | 140,97               | D-2         | SH             | 142,24            | 5.60  | 12,70     | 41,28     | 8,73  | 27,78 | 33,34 | 3               | 1,8                | PHP 2-3V560-SH   |
|         |                   | 151,13               | D-2         | SH             | 152,40            | 6.00  | 12,70     | 41,28     | 8,73  | 27,78 | 33,34 | 3               | 2,0                | PHP 2-3V600-SH   |
|         |                   | 163,83               | D-2         | SDS            | 165,10            | 6.50  | 12,70     | 50,80     | 8,73  | 27,78 | 33,34 | 3               | 2,7                | PHP 2-3V650-SDS  |
|         |                   | 173,99               | D-2         | SDS            | 175,26            | 6.90  | 12,70     | 50,80     | 8,73  | 27,78 | 33,34 | 3               | 3,4                | PHP 2-3V690-SDS  |
|         |                   | 201,93               | D-3         | SDS            | 203,20            | 8.00  | 12,70     | 50,80     | 8,73  | 27,78 | 33,34 | 3               | 3,9                | PHP 2-3V800-SDS  |
|         |                   | 267,97               | C-3         | SK             | 269,24            | 10.60 | 12,70     | 66,68     | 13,49 | 27,78 | 33,34 | 8               | 5,7                | PHP 2-3V1060-SK  |
| 354,33  | C-3               | SK                   | 355,60      | 14.00          | 12,70             | 66,68 | 13,49     | 27,78     | 33,34 | 8     | 8,9   | PHP 2-3V1400-SK |                    |                  |
| 481,33  | C-3               | SK                   | 482,60      | 19.00          | 12,70             | 66,68 | 13,49     | 27,78     | 33,34 | 8     | 12,3  | PHP 2-3V1900-SK |                    |                  |
| 633,73  | C-3               | SF                   | 635,00      | 25.00          | 12,70             | 74,61 | 15,08     | 27,78     | 52,39 | 10    | 17,2  | PHP 2-3V2500-SF |                    |                  |
| 3V      | 3                 | 62,23                | E-1         | JA             | 63,50             | 2.50  | 12,70     | 31,75     | 35,72 | 38,10 | 25,40 | 23              | 0,4                | PHP 3-3V250-JA   |
|         |                   | 66,04                | D-1         | JA             | 67,31             | 2.65  | 12,70     | 31,75     | 9,53  | 38,10 | 25,40 | 22              | 0,5                | PHP 3-3V265-JA   |
|         |                   | 69,85                | D-1         | JA             | 71,12             | 2.80  | 12,70     | 31,75     | 9,53  | 38,10 | 25,40 | 22              | 0,6                | PHP 3-3V280-JA   |
|         |                   | 74,93                | E-1         | SH             | 76,20             | 3.00  | 12,70     | 41,28     | 29,37 | 38,10 | 33,34 | 25              | 0,8                | PHP 3-3V300-SH   |
|         |                   | 78,74                | E-1         | SH             | 80,01             | 3.15  | 12,70     | 41,28     | 29,37 | 38,10 | 33,34 | 25              | 0,8                | PHP 3-3V315-SH   |
|         |                   | 83,82                | D-1         | SH             | 85,09             | 3.35  | 12,70     | 41,28     | 13,49 | 38,10 | 33,34 | 18              | 0,9                | PHP 3-3V335-SH   |
|         |                   | 91,44                | D-1         | SH             | 92,71             | 3.65  | 12,70     | 41,28     | 13,49 | 38,10 | 33,34 | 18              | 1,0                | PHP 3-3V365-SH   |
|         |                   | 103,38               | A-1         | SH             | 104,65            | 4.12  | 12,70     | 41,28     | 0,79  | 38,10 | 33,34 | 4               | 1,3                | PHP 3-3V412-SH   |

<sup>1)</sup> Mass does not include bushings.

# Narrow wedge belt pulleys

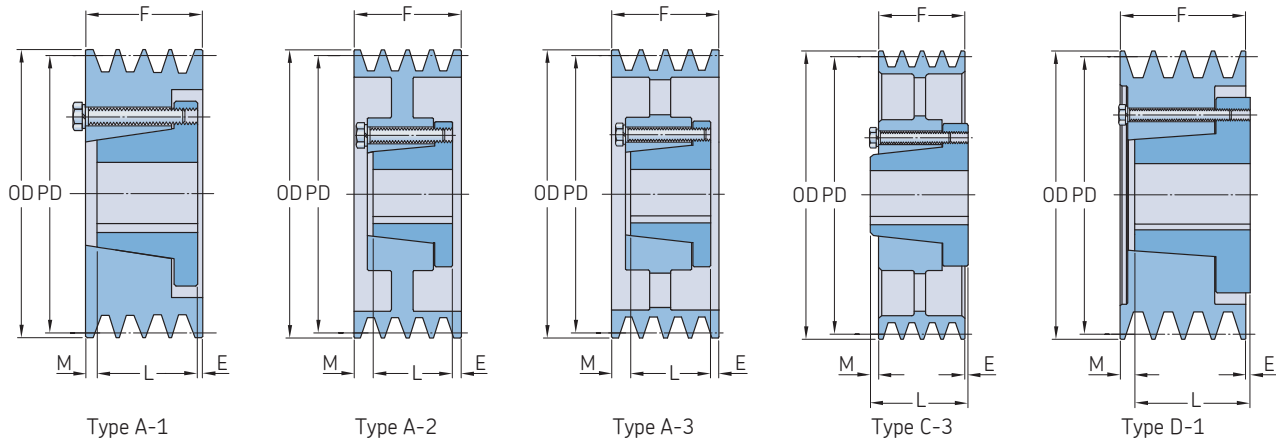
3V QD bushed



| Section | Number of grooves | Pitch diameter<br>PD | Pulley type | Bushing number | Dimensions           |           |       |       |       |       |       |                 | Mass <sup>1)</sup><br>kg | Designation     |                |
|---------|-------------------|----------------------|-------------|----------------|----------------------|-----------|-------|-------|-------|-------|-------|-----------------|--------------------------|-----------------|----------------|
|         |                   |                      |             |                | Outer diameter<br>OD | Bore Min. | Max.  | E     | F     | L     | M     |                 |                          |                 |                |
|         |                   | mm                   |             |                | mm                   | in.       |       |       |       |       |       |                 |                          |                 |                |
| 3V      | 3                 | 113,03               | A-1         | SDS            | 114,30               | 4.50      | 12,70 | 50,80 | 0,79  | 38,10 | 33,34 | 4               | 1,6                      | PHP 3-3V450-SDS |                |
|         |                   | 119,38               | A-1         | SDS            | 120,65               | 4.75      | 12,70 | 50,80 | 0,79  | 38,10 | 33,34 | 4               | 1,8                      | PHP 3-3V475-SDS |                |
|         |                   | 125,73               | A-1         | SDS            | 127,00               | 5.00      | 12,70 | 50,80 | 0,79  | 38,10 | 33,34 | 4               | 2,0                      | PHP 3-3V500-SDS |                |
|         |                   | 133,35               | A-1         | SDS            | 134,62               | 5.30      | 12,70 | 50,80 | 0,79  | 38,10 | 33,34 | 4               | 2,4                      | PHP 3-3V530-SDS |                |
|         |                   | 140,97               | A-1         | SDS            | 142,24               | 5.60      | 12,70 | 50,80 | 0,79  | 38,10 | 33,34 | 4               | 2,7                      | PHP 3-3V560-SDS |                |
|         |                   | 151,13               | A-2         | SDS            | 152,40               | 6.00      | 12,70 | 50,80 | 0,79  | 38,10 | 33,34 | 4               | 3,2                      | PHP 3-3V600-SDS |                |
|         |                   | 163,83               | A-2         | SDS            | 165,10               | 6.50      | 12,70 | 50,80 | 0,79  | 38,10 | 33,34 | 4               | 3,7                      | PHP 3-3V650-SDS |                |
|         |                   | 173,99               | A-2         | SDS            | 175,26               | 6.90      | 12,70 | 50,80 | 0,79  | 38,10 | 33,34 | 4               | 4,0                      | PHP 3-3V690-SDS |                |
|         |                   | 201,93               | D-2         | SK             | 203,20               | 8.00      | 12,70 | 66,68 | 13,49 | 38,10 | 33,34 | 2               | 5,1                      | PHP 3-3V800-SK  |                |
|         |                   | 267,97               | D-3         | SK             | 269,24               | 10.60     | 12,70 | 66,68 | 13,49 | 38,10 | 33,34 | 2               | 6,4                      | PHP 3-3V1060-SK |                |
|         | 354,33            | D-3                  | SK          | 355,60         | 14.00                | 12,70     | 66,68 | 13,49 | 38,10 | 33,34 | 2     | 9,8             | PHP 3-3V1400-SK          |                 |                |
|         | 405,13            | D-3                  | SK          | 406,40         | 16.00                | 12,70     | 66,68 | 13,49 | 38,10 | 33,34 | 2     | 11,4            | PHP 3-3V1600-SK          |                 |                |
|         | 481,33            | D-3                  | SF          | 482,60         | 19.00                | 12,70     | 74,61 | 15,08 | 38,10 | 52,39 | 1     | 14,6            | PHP 3-3V1900-SK          |                 |                |
|         | 633,73            | D-3                  | SF          | 635,00         | 25.00                | 12,70     | 74,61 | 15,08 | 38,10 | 52,39 | 1     | 22,7            | PHP 3-3V2500-SF          |                 |                |
|         | 849,63            | D-3                  | SF          | 850,90         | 33.50                | 22,23     | 88,90 | 15,08 | 38,10 | 52,39 | 1     | 35,4            | PHP 3-3V3350-SF          |                 |                |
|         | 3V                | 4                    | 66,04       | D-1            | JA                   | 67,31     | 2.65  | 12,70 | 31,75 | 9,53  | 48,42 | 25,40           | 15                       | 0,6             | PHP 4-3V265-JA |
|         |                   |                      | 69,85       | D-1            | JA                   | 71,12     | 2.80  | 12,70 | 31,75 | 9,53  | 48,42 | 25,40           | 15                       | 0,8             | PHP 4-3V280-JA |
|         |                   |                      | 74,93       | E-1            | SH                   | 76,20     | 3.00  | 12,70 | 41,28 | 12,70 | 48,42 | 33,34           | 23                       | 0,9             | PHP 4-3V300-SH |
|         |                   |                      | 78,74       | E-1            | SH                   | 80,01     | 3.15  | 12,70 | 41,28 | 12,70 | 48,42 | 33,34           | 23                       | 1,0             | PHP 4-3V315-SH |
|         |                   |                      | 83,82       | D-1            | SH                   | 85,09     | 3.35  | 12,70 | 41,28 | 13,49 | 48,42 | 33,34           | 29                       | 1,0             | PHP 4-3V335-SH |
| 91,44   |                   |                      | D-1         | SH             | 92,71                | 3.65      | 12,70 | 41,28 | 13,49 | 48,42 | 33,34 | 29              | 1,3                      | PHP 4-3V365-SH  |                |
| 103,38  |                   |                      | A-1         | SH             | 104,65               | 4.12      | 12,70 | 41,28 | 3,97  | 48,42 | 33,34 | 11              | 1,5                      | PHP 4-3V412-SH  |                |
| 113,03  |                   |                      | A-1         | SDS            | 114,30               | 4.50      | 12,70 | 50,80 | 3,97  | 48,42 | 33,34 | 11              | 1,8                      | PHP 4-3V450-SDS |                |
| 119,38  |                   |                      | A-1         | SDS            | 120,65               | 4.75      | 12,70 | 50,80 | 3,97  | 48,42 | 33,34 | 11              | 2,1                      | PHP 4-3V475-SDS |                |
| 125,73  |                   |                      | A-1         | SDS            | 127,00               | 5.00      | 12,70 | 50,80 | 3,97  | 48,42 | 33,34 | 11              | 2,4                      | PHP 4-3V500-SDS |                |
| 133,35  |                   | A-1                  | SDS         | 134,62         | 5.30                 | 12,70     | 50,80 | 3,97  | 48,42 | 33,34 | 11    | 2,6             | PHP 4-3V530-SDS          |                 |                |
| 140,97  |                   | A-1                  | SDS         | 142,24         | 5.60                 | 12,70     | 50,80 | 3,97  | 48,42 | 33,34 | 11    | 3,1             | PHP 4-3V560-SDS          |                 |                |
| 151,13  |                   | D-1                  | SK          | 152,40         | 6.00                 | 12,70     | 66,68 | 3,97  | 48,42 | 33,34 | 3     | 3,8             | PHP 4-3V600-SK           |                 |                |
| 163,83  |                   | D-1                  | SK          | 165,10         | 6.50                 | 12,70     | 66,68 | 3,97  | 48,42 | 33,34 | 3     | 4,5             | PHP 4-3V650-SK           |                 |                |
| 173,99  |                   | D-1                  | SK          | 175,26         | 6.90                 | 12,70     | 66,68 | 3,97  | 48,42 | 33,34 | 3     | 5,4             | PHP 4-3V690-SK           |                 |                |
| 201,93  |                   | D-2                  | SK          | 203,20         | 8.00                 | 12,70     | 66,68 | 3,97  | 48,42 | 33,34 | 3     | 5,9             | PHP 4-3V800-SK           |                 |                |
| 267,97  |                   | D-3                  | SK          | 269,24         | 10.60                | 12,70     | 66,68 | 3,97  | 48,42 | 33,34 | 3     | 7,5             | PHP 4-3V1060-SK          |                 |                |
| 354,33  |                   | D-3                  | SK          | 355,60         | 14.00                | 12,70     | 66,68 | 3,97  | 48,42 | 33,34 | 3     | 10,2            | PHP 4-3V1400-SK          |                 |                |
| 405,13  |                   | D-3                  | SK          | 406,40         | 16.00                | 12,70     | 66,68 | 3,97  | 48,42 | 33,34 | 3     | 12,6            | PHP 4-3V1600-SK          |                 |                |
| 481,33  |                   | D-3                  | SF          | 482,60         | 19.00                | 12,70     | 74,61 | 5,56  | 48,42 | 52,39 | 2     | 15,9            | PHP 4-3V1900-SF          |                 |                |
| 633,73  | D-3               | SF                   | 635,00      | 25.00          | 12,70                | 74,61     | 5,56  | 48,42 | 52,39 | 2     | 25,9  | PHP 4-3V2500-SF |                          |                 |                |
| 849,63  | C-3               | E                    | 850,90      | 33.50          | 22,23                | 88,90     | 16,67 | 48,42 | 69,85 | 5     | 38,1  | PHP 4-3V3350-E  |                          |                 |                |
| 3V      | 5                 | 119,38               | A-1         | SDS            | 120,65               | 4.75      | 12,70 | 50,80 | 3,97  | 58,74 | 49,21 | 21              | 2,3                      | PHP 5-3V475-SDS |                |
|         |                   | 125,73               | A-1         | SDS            | 127,00               | 5.00      | 12,70 | 50,80 | 3,97  | 58,74 | 49,21 | 21              | 2,6                      | PHP 5-3V500-SDS |                |
|         |                   | 133,35               | A-1         | SK             | 134,62               | 5.30      | 12,70 | 66,68 | 3,97  | 58,74 | 49,21 | 6               | 3,0                      | PHP 5-3V530-SK  |                |
|         |                   | 140,97               | A-1         | SK             | 142,24               | 5.60      | 12,70 | 66,68 | 3,97  | 58,74 | 49,21 | 6               | 3,4                      | PHP 5-3V560-SK  |                |
|         |                   | 151,13               | A-1         | SK             | 152,40               | 6.00      | 12,70 | 66,68 | 3,97  | 58,74 | 49,21 | 6               | 4,0                      | PHP 5-3V600-SK  |                |
|         | 163,83            | A-2                  | SK          | 165,10         | 6.50                 | 12,70     | 66,68 | 3,97  | 58,74 | 49,21 | 6     | 4,8             | PHP 5-3V650-SK           |                 |                |
|         | 173,99            | A-2                  | SK          | 175,26         | 6.90                 | 12,70     | 66,68 | 3,97  | 58,74 | 49,21 | 6     | 5,8             | PHP 5-3V690-SK           |                 |                |
|         | 201,93            | A-2                  | SK          | 203,20         | 8.00                 | 12,70     | 66,68 | 3,97  | 58,74 | 49,21 | 6     | 6,3             | PHP 5-3V800-SK           |                 |                |
|         | 267,97            | A-3                  | SK          | 269,24         | 10.60                | 12,70     | 66,68 | 3,97  | 58,74 | 49,21 | 6     | 7,7             | PHP 5-3V1060-SK          |                 |                |
|         | 354,33            | A-3                  | SF          | 355,60         | 14.00                | 12,70     | 74,61 | 0,79  | 58,74 | 74,61 | 6     | 11,8            | PHP 5-3V1400-SF          |                 |                |
|         | 481,33            | A-3                  | SF          | 482,60         | 19.00                | 12,70     | 74,61 | 0,79  | 58,74 | 74,61 | 6     | 18,6            | PHP 5-3V1900-SF          |                 |                |
|         | 633,73            | D-3                  | E           | 635,00         | 25.00                | 22,23     | 88,90 | 13,49 | 58,74 | 69,85 | 2     | 28,6            | PHP 5-3V2500-E           |                 |                |
|         | 849,63            | D-3                  | E           | 850,90         | 33.50                | 22,23     | 88,90 | 13,49 | 58,74 | 69,85 | 2     | 43,1            | PHP 5-3V3350-E           |                 |                |
|         | 3V                | 6                    | 119,38      | D-1            | SK                   | 120,65    | 4.75  | 12,70 | 66,68 | 16,67 | 69,06 | 49,21           | 37                       | 2,7             | PHP 6-3V475-SK |
|         |                   |                      | 125,73      | D-1            | SK                   | 127,00    | 5.00  | 12,70 | 66,68 | 16,67 | 69,06 | 49,21           | 37                       | 2,9             | PHP 6-3V500-SK |
| 133,35  |                   |                      | A-1         | SK             | 134,62               | 5.30      | 12,70 | 66,68 | 13,49 | 69,06 | 49,21 | 6               | 3,1                      | PHP 6-3V530-SK  |                |

<sup>1)</sup> Mass does not include bushings.

**Narrow wedge belt pulleys**  
 3V QD bushed | 5V QD bushed

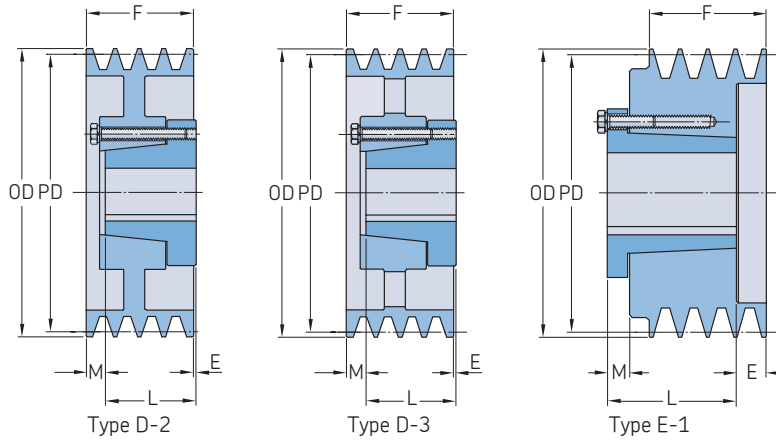


| Section | Number of grooves | Pitch diameter<br>PD                           | Pulley type                     | Bushing number                 | Dimensions                                     |                                           | Bore                                      |                                           | E                                         | F                                              | L                                         | M                          | Mass <sup>1)</sup><br>kg             | Designation                                                                                 |
|---------|-------------------|------------------------------------------------|---------------------------------|--------------------------------|------------------------------------------------|-------------------------------------------|-------------------------------------------|-------------------------------------------|-------------------------------------------|------------------------------------------------|-------------------------------------------|----------------------------|--------------------------------------|---------------------------------------------------------------------------------------------|
|         |                   |                                                |                                 |                                | Outer diameter<br>OD                           | in.                                       | Min.                                      | Max.                                      |                                           |                                                |                                           |                            |                                      |                                                                                             |
| 3V      | 6                 | 140,97<br>151,13<br>163,83<br>173,99<br>201,93 | A-1<br>A-1<br>A-1<br>A-1<br>A-2 | SK<br>SK<br>SK<br>SK<br>SK     | 142,24<br>152,40<br>165,10<br>175,26<br>203,20 | 5,60<br>6,00<br>6,50<br>6,90<br>8,00      | 12,70<br>12,70<br>12,70<br>12,70<br>12,70 | 66,68<br>66,68<br>66,68<br>66,68<br>74,61 | 13,49<br>13,49<br>13,49<br>13,49<br>2,38  | 69,06<br>69,06<br>69,06<br>69,06<br>69,06      | 49,21<br>49,21<br>49,21<br>49,21<br>49,21 | 6<br>6<br>6<br>6<br>17     | 3,9<br>4,5<br>5,2<br>6,1<br>6,8      | PHP 6-3V560-SK<br>PHP 6-3V600-SK<br>PHP 6-3V650-SK<br>PHP 6-3V690-SK<br>PHP 6-3V800-SK      |
|         |                   | 267,97<br>354,33<br>481,33<br>633,73<br>849,63 | A-3<br>A-3<br>D-3<br>D-3<br>D-3 | SF<br>SF<br>E<br>E<br>E        | 269,24<br>355,60<br>482,60<br>635,00<br>850,90 | 10,60<br>14,00<br>19,00<br>25,00<br>33,50 | 12,70<br>22,23<br>22,23<br>22,23<br>22,23 | 74,61<br>88,90<br>88,90<br>88,90<br>88,90 | 0,79<br>0,79<br>3,97<br>3,97<br>3,97      | 69,06<br>69,06<br>69,06<br>69,06<br>69,06      | 74,61<br>74,61<br>69,85<br>69,85<br>69,85 | 16<br>16<br>3<br>3<br>3    | 10,3<br>13,4<br>20,0<br>29,5<br>45,8 | PHP 6-3V1060-SF<br>PHP 6-3V1400-SF<br>PHP 6-3V1900-E<br>PHP 6-3V2500-E<br>PHP 6-3V3350-E    |
| 3V      | 8                 | 119,38<br>125,73<br>133,35<br>140,97<br>151,13 | D-1<br>D-1<br>A-1<br>A-1<br>A-1 | SK<br>SK<br>SK<br>SK<br>SK     | 120,65<br>127,00<br>134,62<br>142,24<br>152,40 | 4,75<br>5,00<br>5,30<br>5,60<br>6,00      | 12,70<br>12,70<br>12,70<br>12,70<br>12,70 | 66,68<br>66,68<br>66,68<br>66,68<br>66,68 | 16,67<br>16,67<br>13,49<br>13,49<br>13,49 | 89,69<br>89,69<br>89,69<br>89,69<br>89,69      | 49,21<br>49,21<br>49,21<br>49,21<br>49,21 | 57<br>57<br>27<br>27<br>27 | 3,3<br>3,5<br>4,2<br>4,8<br>5,7      | PHP 8-3V475-SK<br>PHP 8-3V500-SK<br>PHP 8-3V530-SK<br>PHP 8-3V560-SK<br>PHP 8-3V600-SK      |
|         |                   | 163,83<br>173,99<br>201,93<br>267,97<br>354,33 | A-1<br>A-1<br>A-1<br>A-2<br>A-3 | SK<br>SK<br>SF<br>SF<br>E      | 165,10<br>175,26<br>203,20<br>269,24<br>355,60 | 6,50<br>6,90<br>8,00<br>10,60<br>14,00    | 12,70<br>12,70<br>12,70<br>12,70<br>22,23 | 66,68<br>66,68<br>74,61<br>74,61<br>88,90 | 13,49<br>13,49<br>7,14<br>7,14<br>2,38    | 89,69<br>89,69<br>89,69<br>89,69<br>89,69      | 49,21<br>49,21<br>74,61<br>74,61<br>69,85 | 27<br>27<br>21<br>21<br>17 | 7,3<br>8,2<br>9,5<br>11,6<br>17,5    | PHP 8-3V650-SK<br>PHP 8-3V690-SK<br>PHP 8-3V800-SF<br>PHP 8-3V1060-SF<br>PHP 8-3V1400-E     |
|         |                   | 481,33<br>633,73<br>849,63                     | A-3<br>A-3<br>D-3               | E<br>E<br>F                    | 482,60<br>635,00<br>850,90                     | 19,00<br>25,00<br>33,50                   | 22,23<br>22,23<br>25,40                   | 88,90<br>88,90<br>101,60                  | 2,38<br>2,38<br>7,14                      | 89,69<br>89,69<br>89,69                        | 69,85<br>69,85<br>95,25                   | 17<br>17<br>17             | 24,5<br>36,3<br>14,5                 | PHP 8-3V1900-E<br>PHP 8-3V2500-E<br>PHP 8-3V3350-F                                          |
| 3V      | 10                | 119,38<br>125,73<br>133,35<br>140,97<br>151,13 | D-1<br>D-1<br>A-1<br>A-1<br>A-1 | SK<br>SK<br>SK<br>SK<br>SK     | 120,65<br>127,00<br>134,62<br>142,24<br>152,40 | 4,75<br>5,00<br>5,30<br>5,60<br>6,00      | 12,70<br>12,70<br>12,70<br>12,70<br>12,70 | 66,68<br>66,68<br>66,68<br>66,68<br>66,68 | 16,67<br>16,67<br>16,67<br>16,67<br>16,67 | 110,33<br>110,33<br>110,33<br>110,33<br>110,33 | 49,21<br>49,21<br>49,21<br>49,21<br>49,21 | 78<br>78<br>44<br>44<br>44 | 3,8<br>4,3<br>4,6<br>5,2<br>6,6      | PHP 10-3V475-SK<br>PHP 10-3V500-SK<br>PHP 10-3V530-SK<br>PHP 10-3V560-SK<br>PHP 10-3V600-SK |
|         |                   | 163,83<br>173,99<br>201,93<br>267,97<br>354,33 | A-1<br>A-1<br>A-1<br>A-2<br>A-3 | SK<br>SK<br>SF<br>SF<br>E      | 165,10<br>175,26<br>203,20<br>269,24<br>355,60 | 6,50<br>6,90<br>8,00<br>10,60<br>14,00    | 12,70<br>12,70<br>12,70<br>22,23<br>22,23 | 66,68<br>66,68<br>74,61<br>74,61<br>88,90 | 16,67<br>16,67<br>16,67<br>2,38<br>2,38   | 110,33<br>110,33<br>110,33<br>110,33<br>110,33 | 49,21<br>49,21<br>52,39<br>52,39<br>52,39 | 44<br>44<br>41<br>38<br>38 | 7,9<br>9,1<br>10,9<br>13,7<br>19,4   | PHP 10-3V650-SK<br>PHP 10-3V690-SK<br>PHP 10-3V800-SF<br>PHP 10-3V1060-E<br>PHP 10-3V1400-E |
|         |                   | 481,33<br>633,73<br>849,63                     | A-3<br>D-3<br>D-3               | E<br>F<br>F                    | 482,60<br>635,00<br>850,90                     | 19,00<br>25,00<br>33,50                   | 22,23<br>25,40<br>25,40                   | 88,90<br>101,60<br>101,60                 | 2,38<br>0,79<br>0,79                      | 110,33<br>110,33<br>110,33                     | 52,39<br>95,25<br>120,65                  | 38<br>16<br>16             | 29,0<br>44,9<br>71,7                 | PHP 10-3V1900-E<br>PHP 10-3V2500-F<br>PHP 10-3V3350-F                                       |
| 5V      | 2                 | 109,22<br>115,57<br>121,92<br>129,54<br>137,16 | D-1<br>E-1<br>A-1<br>A-1<br>A-1 | SH<br>SDS<br>SDS<br>SDS<br>SDS | 111,76<br>118,11<br>124,46<br>132,08<br>139,70 | 4,40<br>4,65<br>4,90<br>5,20<br>5,50      | 12,70<br>12,70<br>12,70<br>12,70<br>12,70 | 41,28<br>50,80<br>50,80<br>50,80<br>50,80 | 8,73<br>21,43<br>0,79<br>0,79<br>0,79     | 42,86<br>42,86<br>42,86<br>42,86<br>42,86      | 33,34<br>33,34<br>33,34<br>33,34<br>33,34 | 18<br>12<br>9<br>9<br>9    | 2,6<br>3,0<br>3,1<br>3,2<br>3,3      | PHP 2-5V440-SH<br>PHP 2-5V465-SDS<br>PHP 2-5V490-SDS<br>PHP 2-5V520-SDS<br>PHP 2-5V550-SDS  |
|         |                   | 147,32<br>157,48<br>167,64<br>177,80<br>187,96 | A-1<br>D-1<br>D-1<br>D-1<br>D-1 | SDS<br>SK<br>SK<br>SK<br>SK    | 149,86<br>160,02<br>170,18<br>180,34<br>190,50 | 5,90<br>6,30<br>6,70<br>7,10<br>7,50      | 12,70<br>12,70<br>12,70<br>12,70<br>12,70 | 50,80<br>66,68<br>66,68<br>66,68<br>66,68 | 0,79<br>8,73<br>8,73<br>8,73<br>8,73      | 42,86<br>42,86<br>42,86<br>42,86<br>42,86      | 33,34<br>49,21<br>49,21<br>49,21<br>49,21 | 9<br>2<br>2<br>2<br>2      | 3,5<br>4,3<br>4,8<br>5,2<br>5,7      | PHP 2-5V590-SDS<br>PHP 2-5V630-SK<br>PHP 2-5V670-SK<br>PHP 2-5V710-SK<br>PHP 2-5V750-SK     |
|         |                   | 200,66<br>213,36<br>226,06<br>232,41<br>245,11 | D-2<br>D-2<br>D-3<br>D-3<br>D-3 | SK<br>SK<br>SK<br>SK<br>SK     | 203,20<br>215,90<br>228,60<br>234,95<br>247,65 | 8,00<br>8,50<br>9,00<br>9,25<br>9,75      | 12,70<br>12,70<br>12,70<br>12,70<br>12,70 | 66,68<br>66,68<br>66,68<br>66,68<br>66,68 | 8,73<br>8,73<br>8,73<br>8,73<br>8,73      | 42,86<br>42,86<br>42,86<br>42,86<br>42,86      | 49,21<br>49,21<br>33,34<br>33,34<br>49,21 | 2<br>2<br>2<br>2<br>2      | 5,9<br>6,4<br>6,9<br>6,9<br>7,0      | PHP 2-5V800-SK<br>PHP 2-5V850-SK<br>PHP 2-5V900-SK<br>PHP 2-5V925-SK<br>PHP 2-5V975-SK      |
|         |                   | 259,08<br>274,32                               | D-3<br>D-3                      | SK<br>SK                       | 261,62<br>276,86                               | 10,30<br>10,90                            | 12,70<br>12,70                            | 66,68<br>66,68                            | 8,73<br>8,73                              | 42,86<br>42,86                                 | 49,21<br>49,21                            | 2<br>2                     | 7,0<br>7,5                           | PHP 2-5V1030-SK<br>PHP 2-5V1090-SK                                                          |

<sup>1)</sup> Mass does not include bushings.

# Narrow wedge belt pulleys

5V QD bushed

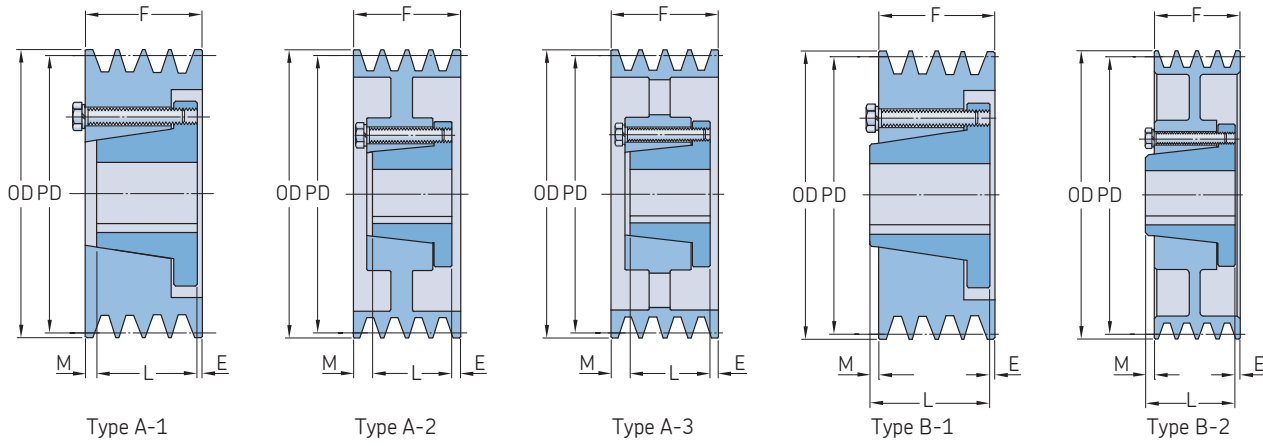


| Section | Number of grooves | Pitch diameter<br>PD | Pulley type | Bushing number | Dimensions        |       | Bore Min. | Bore Max. | E     | F     | L     | M  | Mass <sup>1)</sup><br>kg | Designation     |
|---------|-------------------|----------------------|-------------|----------------|-------------------|-------|-----------|-----------|-------|-------|-------|----|--------------------------|-----------------|
|         |                   |                      |             |                | Outer diameter OD | in.   |           |           |       |       |       |    |                          |                 |
| 5V      | 2                 | 284,48               | D-3         | SK             | 287,02            | 11.30 | 12.70     | 66.68     | 8.73  | 42.86 | 49.21 | 2  | 8.1                      | PHP 2-5V1130-SK |
|         |                   | 297,18               | D-3         | SK             | 299,72            | 11.80 | 12.70     | 66.68     | 8.73  | 42.86 | 49.21 | 2  | 8.6                      | PHP 2-5V1180-SK |
|         |                   | 314,96               | D-3         | SF             | 317,50            | 12.50 | 12.70     | 74.61     | 10.32 | 42.86 | 52.39 | 1  | 9.5                      | PHP 2-5V1250-SF |
|         |                   | 332,74               | D-3         | SF             | 335,28            | 13.20 | 12.70     | 74.61     | 10.32 | 42.86 | 52.39 | 1  | 10.3                     | PHP 2-5V1320-SF |
|         |                   | 353,06               | D-3         | SF             | 355,60            | 14.00 | 12.70     | 74.61     | 10.32 | 42.86 | 52.39 | 1  | 11.5                     | PHP 2-5V1400-SF |
|         |                   | 378,46               | D-3         | SF             | 381,00            | 15.00 | 12.70     | 74.61     | 10.32 | 42.86 | 52.39 | 1  | 12,4                     | PHP 2-5V1500-SF |
|         |                   | 403,86               | D-3         | SF             | 406,40            | 16.00 | 12.70     | 74.61     | 10.32 | 42.86 | 52.39 | 1  | 13,2                     | PHP 2-5V1600-SF |
|         |                   | 472,44               | D-3         | SF             | 474,98            | 18.70 | 12.70     | 74.61     | 10.32 | 42.86 | 52.39 | 1  | 16,3                     | PHP 2-5V1870-SF |
|         |                   | 535,94               | D-3         | SF             | 538,48            | 21.20 | 12.70     | 74.61     | 10.32 | 42.86 | 26.99 | 1  | 19,5                     | PHP 2-5V2120-SF |
|         |                   | 596,90               | C-3         | E              | 599,44            | 23.60 | 22.23     | 88.90     | 23.02 | 42.86 | 69.85 | 4  | 25,0                     | PHP 2-5V2360-E  |
|         |                   | 708,66               | C-3         | E              | 711,20            | 28.00 | 22.23     | 88.90     | 23.02 | 42.86 | 69.85 | 4  | 30,4                     | PHP 2-5V2800-E  |
| 5V      | 3                 | 109,22               | E-1         | SDS            | 111,76            | 4.40  | 12.70     | 50.80     | 43.66 | 60.33 | 33.34 | 17 | 3.0                      | PHP 3-5V440-SDS |
|         |                   | 115,57               | E-1         | SDS            | 118,11            | 4.65  | 12.70     | 50.80     | 43.66 | 60.33 | 33.34 | 17 | 3.5                      | PHP 3-5V465-SDS |
|         |                   | 121,92               | A-1         | SDS            | 124,46            | 4.90  | 12.70     | 50.80     | 10.32 | 60.33 | 33.34 | 17 | 3.5                      | PHP 3-5V490-SDS |
|         |                   | 129,54               | A-1         | SDS            | 132,08            | 5.20  | 12.70     | 50.80     | 10.32 | 60.33 | 33.34 | 17 | 3.6                      | PHP 3-5V520-SDS |
|         |                   | 137,16               | A-1         | SDS            | 139,70            | 5.50  | 12.70     | 50.80     | 10.32 | 60.33 | 33.34 | 17 | 3.7                      | PHP 3-5V550-SDS |
|         |                   | 147,32               | A-1         | SDS            | 149,86            | 5.90  | 12.70     | 50.80     | 10.32 | 60.33 | 33.34 | 17 | 3.9                      | PHP 3-5V590-SDS |
|         |                   | 157,48               | A-1         | SK             | 160,02            | 6.30  | 12.70     | 66.68     | 7.14  | 60.33 | 49.21 | 4  | 4.7                      | PHP 3-5V630-SK  |
|         |                   | 167,64               | A-1         | SK             | 170,18            | 6.70  | 12.70     | 66.68     | 7.14  | 60.33 | 49.21 | 4  | 5.3                      | PHP 3-5V670-SK  |
|         |                   | 177,80               | A-1         | SF             | 180,34            | 7.10  | 12.70     | 74.61     | 3.97  | 60.33 | 52.39 | 4  | 5.8                      | PHP 3-5V710-SF  |
|         |                   | 187,96               | A-1         | SF             | 190,50            | 7.50  | 12.70     | 74.61     | 3.97  | 60.33 | 52.39 | 4  | 6.8                      | PHP 3-5V750-SF  |
|         |                   | 200,66               | A-1         | SF             | 203,20            | 8.00  | 12.70     | 74.61     | 3.97  | 60.33 | 52.39 | 4  | 7.5                      | PHP 3-5V800-SF  |
|         |                   | 213,36               | A-3         | SF             | 215,90            | 8.50  | 12.70     | 74.61     | 3.97  | 60.33 | 52.39 | 4  | 8.2                      | PHP 3-5V850-SF  |
|         |                   | 226,06               | A-3         | SF             | 228,60            | 9.00  | 12.70     | 74.61     | 3.97  | 60.33 | 52.39 | 4  | 9.0                      | PHP 3-5V900-SF  |
|         |                   | 232,41               | A-3         | SF             | 234,95            | 9.25  | 12.70     | 74.61     | 3.97  | 60.33 | 52.39 | 4  | 9.4                      | PHP 3-5V925-SF  |
|         |                   | 245,11               | A-3         | SF             | 247,65            | 9.75  | 12.70     | 74.61     | 3.97  | 60.33 | 52.39 | 4  | 10,3                     | PHP 3-5V975-SF  |
|         |                   | 259,08               | A-3         | SF             | 261,62            | 10.30 | 12.70     | 74.61     | 3.97  | 60.33 | 52.39 | 4  | 11,2                     | PHP 3-5V1030-SF |
|         |                   | 274,32               | A-3         | SF             | 276,86            | 10.90 | 12.70     | 74.61     | 3.97  | 60.33 | 52.39 | 4  | 12,1                     | PHP 3-5V1090-SF |
|         |                   | 284,48               | A-3         | SF             | 287,02            | 11.30 | 12.70     | 74.61     | 3.97  | 60.33 | 52.39 | 4  | 12,8                     | PHP 3-5V1130-SF |
|         |                   | 297,18               | D-3         | SF             | 299,72            | 11.80 | 12.70     | 74.61     | 3.97  | 60.33 | 52.39 | 4  | 13,5                     | PHP 3-5V1180-SF |
|         |                   | 314,96               | D-3         | E              | 317,50            | 12.50 | 22.23     | 88.90     | 10.32 | 60.33 | 69.85 | 1  | 15,4                     | PHP 3-5V1250-E  |
|         |                   | 332,74               | D-3         | E              | 335,28            | 13.20 | 22.23     | 88.90     | 10.32 | 60.33 | 69.85 | 1  | 15,9                     | PHP 3-5V1320-E  |
|         |                   | 353,06               | D-3         | E              | 355,60            | 14.00 | 22.23     | 88.90     | 10.32 | 60.33 | 69.85 | 1  | 16,8                     | PHP 3-5V1400-E  |
|         |                   | 378,46               | D-3         | E              | 381,00            | 15.00 | 22.23     | 88.90     | 10.32 | 60.33 | 69.85 | 1  | 17,2                     | PHP 3-5V1500-E  |
|         |                   | 403,86               | D-3         | E              | 406,40            | 16.00 | 22.23     | 88.90     | 10.32 | 60.33 | 69.85 | 1  | 17,8                     | PHP 3-5V1600-E  |
|         |                   | 472,44               | D-3         | E              | 474,98            | 18.70 | 22.23     | 88.90     | 10.32 | 60.33 | 69.85 | 1  | 21,4                     | PHP 3-5V1870-E  |
|         |                   | 535,94               | D-3         | E              | 538,48            | 21.20 | 22.23     | 88.90     | 10.32 | 60.33 | 69.85 | 1  | 25,0                     | PHP 3-5V2120-E  |
|         |                   | 596,90               | D-3         | E              | 599,44            | 23.60 | 22.23     | 88.90     | 10.32 | 60.33 | 69.85 | 1  | 31,8                     | PHP 3-5V2360-E  |
|         |                   | 708,66               | D-3         | E              | 711,20            | 28.00 | 22.23     | 88.90     | 10.32 | 60.33 | 69.85 | 1  | 39,2                     | PHP 3-5V2800-E  |
|         |                   | 797,56               | C-3         | F              | 800,10            | 31.50 | 25.40     | 101.60    | 19.84 | 60.33 | 95.25 | 15 | 52,6                     | PHP 3-5V3150-F  |
|         |                   | 949,96               | C-3         | F              | 952,50            | 37.50 | 25.40     | 101.60    | 19.84 | 60.33 | 95.25 | 15 | 64,0                     | PHP 3-5V3750-F  |
|         |                   | 1267,46              | C-3         | F              | 1270,00           | 50.00 | 25.40     | 101.60    | 19.84 | 60.33 | 95.25 | 15 | 95,7                     | PHP 3-5V5000-F  |
| 5V      | 4                 | 109,22               | E-1         | SD             | 111,76            | 4.40  | 12.70     | 50.80     | 48.42 | 77.79 | 46.04 | 17 | 3.4                      | PHP 4-5V440-SD  |
|         |                   | 115,57               | E-1         | SD             | 118,11            | 4.65  | 12.70     | 50.80     | 48.42 | 77.79 | 46.04 | 17 | 3.6                      | PHP 4-5V465-SD  |
|         |                   | 121,92               | A-1         | SD             | 124,46            | 4.90  | 12.70     | 50.80     | 16.67 | 77.79 | 46.04 | 15 | 3.9                      | PHP 4-5V490-SD  |
|         |                   | 129,54               | A-1         | SD             | 132,08            | 5.20  | 12.70     | 50.80     | 16.67 | 77.79 | 46.04 | 15 | 4.0                      | PHP 4-5V520-SD  |
|         |                   | 137,16               | A-1         | SD             | 139,70            | 5.50  | 12.70     | 50.80     | 16.67 | 77.79 | 46.04 | 15 | 4.2                      | PHP 4-5V550-SD  |
|         |                   | 147,32               | A-1         | SD             | 149,86            | 5.90  | 12.70     | 50.80     | 16.67 | 77.79 | 46.04 | 15 | 4.6                      | PHP 4-5V590-SD  |
|         |                   | 157,48               | A-1         | SK             | 160,02            | 6.30  | 12.70     | 66.68     | 13.49 | 77.79 | 49.21 | 15 | 5.4                      | PHP 4-5V630-SK  |
|         |                   | 167,64               | A-1         | SK             | 170,18            | 6.70  | 12.70     | 66.68     | 13.49 | 77.79 | 49.21 | 15 | 6.2                      | PHP 4-5V670-SK  |
|         |                   | 177,80               | A-1         | SF             | 180,34            | 7.10  | 12.70     | 74.61     | 5.56  | 77.79 | 52.39 | 20 | 6.8                      | PHP 4-5V710-SF  |
|         |                   | 187,96               | A-1         | SF             | 190,50            | 7.50  | 12.70     | 74.61     | 5.56  | 77.79 | 52.39 | 20 | 7.7                      | PHP 4-5V750-SF  |

<sup>1)</sup> Mass does not include bushings.

Narrow wedge belt pulleys

5V QD bushed

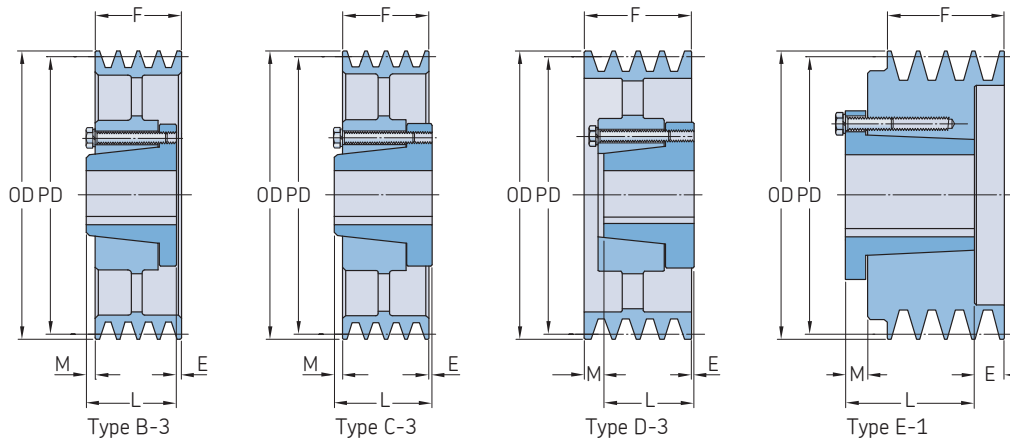


| Section | Number of grooves | Pitch diameter<br>PD | Pulley type | Bushing number | Dimensions           |        | Bore   |       | E     | F      | L     | M     | Mass <sup>1)</sup> | Designation    |                |
|---------|-------------------|----------------------|-------------|----------------|----------------------|--------|--------|-------|-------|--------|-------|-------|--------------------|----------------|----------------|
|         |                   |                      |             |                | Outer diameter<br>OD |        | Min.   | Max.  |       |        |       |       |                    |                |                |
|         |                   | mm                   |             |                | mm                   | in.    |        |       |       |        |       |       |                    | kg             |                |
| 5V      | 4                 | 200,66               | B-1         | E              | 203,20               | 8.00   | 22,23  | 88,90 | 8,73  | 77,79  | 69,85 | 1     | 8,5                | PHP 4-5V800-E  |                |
|         |                   | 213,36               | B-1         | E              | 215,90               | 8.50   | 22,23  | 88,90 | 8,73  | 77,79  | 69,85 | 1     | 9,9                | PHP 4-5V850-E  |                |
|         |                   | 226,06               | B-1         | E              | 228,60               | 9.00   | 22,23  | 88,90 | 8,73  | 77,79  | 69,85 | 1     | 11,0               | PHP 4-5V900-E  |                |
|         |                   | 232,41               | B-1         | E              | 234,95               | 9.25   | 22,23  | 88,90 | 8,73  | 77,79  | 69,85 | 1     | 11,7               | PHP 4-5V925-E  |                |
|         |                   | 245,11               | B-1         | E              | 247,65               | 9.75   | 22,23  | 88,90 | 8,73  | 77,79  | 69,85 | 1     | 12,8               | PHP 4-5V975-E  |                |
|         |                   | 259,08               | B-1         | E              | 261,62               | 10.30  | 22,23  | 88,90 | 8,73  | 77,79  | 69,85 | 1     | 13,5               | PHP 4-5V1030-E |                |
|         |                   | 274,32               | B-2         | E              | 276,86               | 10.90  | 22,23  | 88,90 | 8,73  | 77,79  | 69,85 | 1     | 13,9               | PHP 4-5V1090-E |                |
|         |                   | 284,48               | A-3         | E              | 287,02               | 11.30  | 22,23  | 88,90 | 7,14  | 77,79  | 69,85 | 1     | 14,5               | PHP 4-5V1130-E |                |
|         |                   | 297,18               | B-2         | E              | 299,72               | 11.80  | 22,23  | 88,90 | 8,73  | 77,79  | 69,85 | 1     | 15,0               | PHP 4-5V1180-E |                |
|         |                   | 314,96               | A-3         | E              | 317,50               | 12.50  | 22,23  | 88,90 | 7,14  | 77,79  | 69,85 | 1     | 16,5               | PHP 4-5V1250-E |                |
|         |                   | 332,74               | A-3         | E              | 335,28               | 13.20  | 22,23  | 88,90 | 7,14  | 77,79  | 69,85 | 1     | 17,3               | PHP 4-5V1320-E |                |
|         |                   | 353,06               | A-3         | E              | 355,60               | 14.00  | 22,23  | 88,90 | 7,14  | 77,79  | 69,85 | 1     | 18,2               | PHP 4-5V1400-E |                |
|         | 378,46            | A-3                  | E           | 381,00         | 15.00                | 22,23  | 88,90  | 7,14  | 77,79 | 69,85  | 1     | 19,7  | PHP 4-5V1500-E     |                |                |
|         | 403,86            | A-3                  | E           | 406,40         | 16.00                | 22,23  | 88,90  | 7,14  | 77,79 | 69,85  | 1     | 20,2  | PHP 4-5V1600-E     |                |                |
|         | 472,44            | A-3                  | E           | 474,98         | 18.70                | 22,23  | 88,90  | 2,38  | 77,79 | 69,85  | 1     | 24,3  | PHP 4-5V1870-E     |                |                |
|         | 535,94            | A-3                  | E           | 538,48         | 21.20                | 22,23  | 88,90  | 2,38  | 77,79 | 69,85  | 1     | 28,4  | PHP 4-5V2120-E     |                |                |
|         | 596,90            | C-3                  | F           | 599,44         | 23.60                | 25,40  | 101,60 | 11,91 | 77,79 | 95,25  | 6     | 37,9  | PHP 4-5V2360-F     |                |                |
|         | 708,66            | C-3                  | F           | 711,20         | 28.00                | 25,40  | 101,60 | 11,91 | 77,79 | 95,25  | 6     | 57,2  | PHP 4-5V2800-F     |                |                |
|         | 797,56            | C-3                  | F           | 800,10         | 31.50                | 25,40  | 101,60 | 11,91 | 77,79 | 95,25  | 6     | 67,1  | PHP 4-5V3150-F     |                |                |
|         | 949,96            | C-3                  | F           | 952,50         | 37.50                | 25,40  | 101,60 | 11,91 | 77,79 | 95,25  | 6     | 77,1  | PHP 4-5V3750-F     |                |                |
|         | 1267,46           | C-3                  | J           | 1270,00        | 50.00                | 38,10  | 114,30 | 19,05 | 77,79 | 117,48 | 21    | 112,5 | PHP 4-5V5000-J     |                |                |
|         | 5V                | 5                    | 109,22      | E-1            | SD                   | 111,76 | 4.40   | 12,70 | 50,80 | 65,88  | 95,25 | 46,04 | 17                 | 4,0            | PHP 5-5V440-SD |
|         |                   |                      | 115,57      | E-1            | SD                   | 118,11 | 4.65   | 12,70 | 50,80 | 65,88  | 95,25 | 46,04 | 17                 | 4,2            | PHP 5-5V465-SD |
|         |                   |                      | 121,92      | A-1            | SD                   | 124,46 | 4.90   | 12,70 | 50,80 | 16,67  | 95,25 | 46,04 | 15                 | 4,6            | PHP 5-5V490-SD |
| 129,54  |                   |                      | A-1         | SD             | 132,08               | 5.20   | 12,70  | 50,80 | 16,67 | 95,25  | 46,04 | 15    | 4,9                | PHP 5-5V520-SD |                |
| 137,16  |                   |                      | A-1         | SD             | 139,70               | 5.50   | 12,70  | 50,80 | 16,67 | 95,25  | 46,04 | 15    | 5,4                | PHP 5-5V550-SD |                |
| 147,32  |                   |                      | A-1         | SK             | 149,86               | 5.90   | 12,70  | 66,68 | 13,49 | 95,25  | 49,21 | 12    | 6,0                | PHP 5-5V590-SK |                |
| 157,48  |                   |                      | A-1         | SK             | 160,02               | 6.30   | 12,70  | 66,68 | 13,49 | 95,25  | 49,21 | 12    | 7,2                | PHP 5-5V630-SK |                |
| 167,64  |                   |                      | A-1         | SF             | 170,18               | 6.70   | 12,70  | 74,61 | 13,49 | 95,25  | 52,39 | 12    | 8,4                | PHP 5-5V670-SF |                |
| 177,80  |                   |                      | A-1         | SF             | 180,34               | 7.10   | 12,70  | 74,61 | 13,49 | 95,25  | 52,39 | 10    | 9,8                | PHP 5-5V710-SF |                |
| 187,96  |                   |                      | A-1         | SF             | 190,50               | 7.50   | 12,70  | 74,61 | 13,49 | 95,25  | 52,39 | 10    | 10,3               | PHP 5-5V750-SF |                |
| 200,66  |                   |                      | A-1         | E              | 203,20               | 8.00   | 22,23  | 88,90 | 15,08 | 95,25  | 69,85 | 10    | 10,8               | PHP 5-5V800-E  |                |
| 213,36  |                   |                      | A-1         | E              | 215,90               | 8.50   | 22,23  | 88,90 | 15,08 | 95,25  | 69,85 | 10    | 11,3               | PHP 5-5V850-E  |                |
| 226,06  |                   |                      | A-1         | E              | 228,60               | 9.00   | 22,23  | 88,90 | 15,08 | 95,25  | 69,85 | 10    | 11,9               | PHP 5-5V900-E  |                |
| 232,41  |                   |                      | A-1         | E              | 234,95               | 9.25   | 22,23  | 88,90 | 15,08 | 95,25  | 69,85 | 10    | 12,8               | PHP 5-5V925-E  |                |
| 245,11  |                   |                      | A-1         | E              | 247,65               | 9.75   | 22,23  | 88,90 | 15,08 | 95,25  | 69,85 | 10    | 14,5               | PHP 5-5V975-E  |                |
| 259,08  |                   |                      | A-2         | E              | 261,62               | 10.30  | 22,23  | 88,90 | 15,08 | 95,25  | 69,85 | 10    | 15,0               | PHP 5-5V1030-E |                |
| 274,32  |                   |                      | A-2         | E              | 276,86               | 10.90  | 22,23  | 88,90 | 15,08 | 95,25  | 69,85 | 10    | 15,9               | PHP 5-5V1090-E |                |
| 284,48  |                   |                      | A-3         | E              | 287,02               | 11.30  | 22,23  | 88,90 | 15,08 | 95,25  | 69,85 | 10    | 16,6               | PHP 5-5V1130-E |                |
| 297,18  |                   | A-3                  | E           | 299,72         | 11.80                | 22,23  | 88,90  | 15,08 | 95,25 | 69,85  | 10    | 17,2  | PHP 5-5V1180-E     |                |                |
| 314,96  |                   | A-3                  | E           | 317,50         | 12.50                | 22,23  | 88,90  | 15,08 | 95,25 | 69,85  | 10    | 18,5  | PHP 5-5V1250-E     |                |                |
| 332,74  |                   | A-3                  | E           | 335,28         | 13.20                | 22,23  | 88,90  | 15,08 | 95,25 | 69,85  | 10    | 19,2  | PHP 5-5V1320-E     |                |                |
| 353,06  |                   | A-3                  | E           | 355,60         | 14.00                | 22,23  | 88,90  | 15,08 | 95,25 | 69,85  | 10    | 20,2  | PHP 5-5V1400-E     |                |                |
| 378,46  |                   | A-3                  | E           | 381,00         | 15.00                | 22,23  | 88,90  | 15,08 | 95,25 | 69,85  | 10    | 21,9  | PHP 5-5V1500-E     |                |                |
| 403,86  |                   | A-3                  | E           | 406,40         | 16.00                | 22,23  | 88,90  | 15,08 | 95,25 | 69,85  | 10    | 23,2  | PHP 5-5V1600-E     |                |                |
| 472,44  |                   | D-3                  | F           | 474,98         | 18.70                | 25,40  | 101,60 | 2,38  | 95,25 | 95,25  | 2     | 31,8  | PHP 5-5V1870-F     |                |                |
| 535,94  |                   | D-3                  | F           | 538,48         | 21.20                | 25,40  | 101,60 | 0,79  | 95,25 | 95,25  | 1     | 40,4  | PHP 5-5V2120-F     |                |                |
| 596,90  |                   | D-3                  | F           | 599,44         | 23.60                | 25,40  | 101,60 | 0,79  | 95,25 | 95,25  | 1     | 47,6  | PHP 5-5V2360-F     |                |                |
| 708,66  |                   | D-3                  | F           | 711,20         | 28.00                | 25,40  | 101,60 | 0,79  | 95,25 | 95,25  | 1     | 55,8  | PHP 5-5V2800-F     |                |                |
| 797,56  |                   | C-3                  | J           | 800,10         | 31.50                | 38,10  | 114,30 | 11,11 | 95,25 | 117,48 | 11    | 68,5  | PHP 5-5V3150-J     |                |                |
| 949,96  |                   | C-3                  | J           | 952,50         | 37.50                | 38,10  | 114,30 | 11,11 | 95,25 | 117,48 | 11    | 86,2  | PHP 5-5V3750-J     |                |                |
| 1267,46 |                   | C-3                  | J           | 1270,00        | 50.00                | 38,10  | 114,30 | 11,11 | 95,25 | 117,48 | 11    | 126,1 | PHP 5-5V5000-J     |                |                |

<sup>1)</sup> Mass does not include bushings.



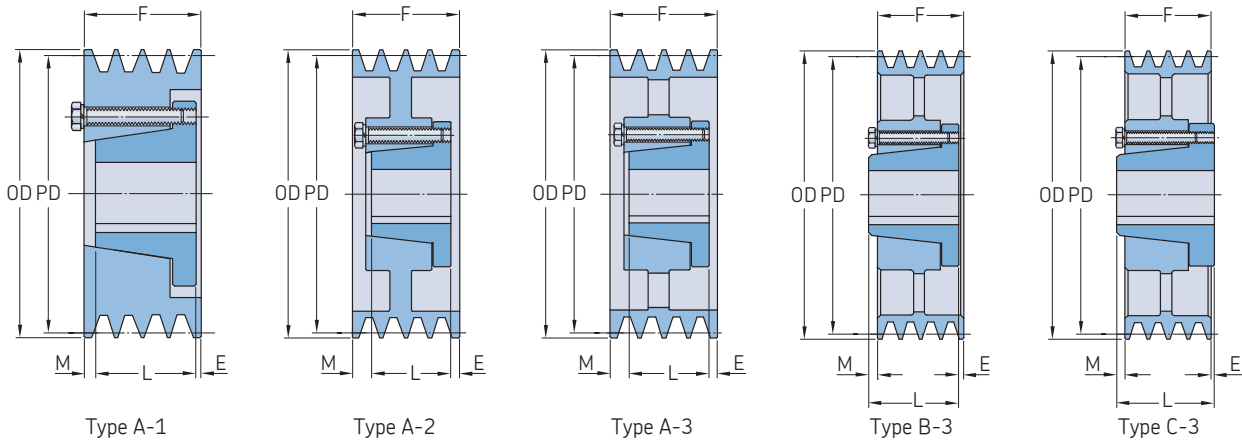
**Narrow wedge belt pulleys**  
5V QD bushed



| Section | Number of grooves | Pitch diameter | Pulley type | Bushing number | Dimensions        |       | Bore Min. | Max.   | E     | F      | L      | M      | Mass <sup>1)</sup> | Designation    |      |
|---------|-------------------|----------------|-------------|----------------|-------------------|-------|-----------|--------|-------|--------|--------|--------|--------------------|----------------|------|
|         |                   | PD             |             |                | Outer diameter OD | in.   |           |        |       |        |        |        |                    |                |      |
|         |                   | mm             |             |                |                   |       |           |        |       |        |        |        |                    | kg             |      |
| 5V      | 6                 | 109,22         | E-1         | SD             | 111,76            | 4.40  | 12,70     | 50,80  | 96,04 | 112,71 | 46,04  | 17     | 4,6                | PHP 6-5V440-SD |      |
|         |                   | 115,57         | E-1         | SD             | 118,11            | 4.65  | 12,70     | 50,80  | 96,04 | 112,71 | 46,04  | 17     | 4,7                | PHP 6-5V465-SD |      |
|         |                   | 121,92         | A-1         | SD             | 124,46            | 4.90  | 12,70     | 50,80  | 16,67 | 112,71 | 46,04  | 50     | 5,1                | PHP 6-5V490-SD |      |
|         |                   | 129,54         | A-1         | SD             | 132,08            | 5.20  | 12,70     | 50,80  | 16,67 | 112,71 | 46,04  | 50     | 5,5                | PHP 6-5V520-SD |      |
|         |                   | 137,16         | A-1         | SD             | 139,70            | 5.50  | 12,70     | 50,80  | 16,67 | 112,71 | 46,04  | 50     | 6,0                | PHP 6-5V550-SD |      |
|         |                   | 147,32         | A-1         | SK             | 149,86            | 5.90  | 12,70     | 66,68  | 13,49 | 112,71 | 49,21  | 50     | 6,6                | PHP 6-5V590-SK |      |
|         |                   | 157,48         | A-1         | SK             | 160,02            | 6.30  | 12,70     | 66,68  | 13,49 | 112,71 | 49,21  | 50     | 7,9                | PHP 6-5V630-SK |      |
|         |                   | 167,64         | A-1         | SF             | 170,18            | 6.70  | 12,70     | 74,61  | 19,84 | 112,71 | 52,39  | 40     | 9,1                | PHP 6-5V670-SF |      |
|         |                   | 177,80         | A-1         | SF             | 180,34            | 7.10  | 12,70     | 74,61  | 19,84 | 112,71 | 52,39  | 40     | 9,9                | PHP 6-5V710-SF |      |
|         |                   | 187,96         | A-1         | SF             | 190,50            | 7.50  | 12,70     | 74,61  | 19,84 | 112,71 | 52,39  | 40     | 10,6               | PHP 6-5V750-SF |      |
|         |                   | 200,66         | A-1         | E              | 203,20            | 8.00  | 22,23     | 88,90  | 21,43 | 112,71 | 69,85  | 21     | 11,0               | PHP 6-5V800-E  |      |
|         |                   | 213,36         | A-1         | E              | 215,90            | 8.50  | 22,23     | 88,90  | 21,43 | 112,71 | 69,85  | 21     | 12,1               | PHP 6-5V850-E  |      |
|         |                   | 226,06         | A-1         | E              | 228,60            | 9.00  | 22,23     | 88,90  | 21,43 | 112,71 | 69,85  | 21     | 12,9               | PHP 6-5V900-E  |      |
|         |                   | 232,41         | A-1         | E              | 234,95            | 9.25  | 22,23     | 88,90  | 21,43 | 112,71 | 69,85  | 21     | 13,7               | PHP 6-5V925-E  |      |
|         |                   | 245,11         | A-1         | E              | 247,65            | 9.75  | 22,23     | 88,90  | 21,43 | 112,71 | 69,85  | 21     | 15,3               | PHP 6-5V975-E  |      |
|         |                   | 259,08         | A-2         | E              | 261,62            | 10.30 | 22,23     | 88,90  | 21,43 | 112,71 | 69,85  | 21     | 16,6               | PHP 6-5V1030-E |      |
|         |                   | 274,32         | A-2         | E              | 276,86            | 10.90 | 22,23     | 88,90  | 21,43 | 112,71 | 69,85  | 21     | 17,3               | PHP 6-5V1090-E |      |
|         |                   | 284,48         | A-3         | E              | 287,02            | 11.30 | 22,23     | 88,90  | 21,43 | 112,71 | 69,85  | 21     | 18,1               | PHP 6-5V1130-E |      |
|         |                   | 297,18         | A-2         | E              | 299,72            | 11.80 | 22,23     | 88,90  | 21,43 | 112,71 | 69,85  | 21     | 18,7               | PHP 6-5V1180-E |      |
|         |                   | 314,96         | B-3         | F              | 317,50            | 12.50 | 25,40     | 101,60 | 18,26 | 112,71 | 95,25  | 1      | 26,4               | PHP 6-5V1250-F |      |
|         |                   | 332,74         | B-3         | F              | 335,28            | 13.20 | 25,40     | 101,60 | 18,26 | 112,71 | 95,25  | 1      | 29,0               | PHP 6-5V1320-F |      |
|         |                   | 353,06         | B-3         | F              | 355,60            | 14.00 | 25,40     | 101,60 | 18,26 | 112,71 | 95,25  | 1      | 29,9               | PHP 6-5V1400-F |      |
|         |                   | 378,46         | B-3         | F              | 381,00            | 15.00 | 25,40     | 101,60 | 18,26 | 112,71 | 95,25  | 1      | 30,8               | PHP 6-5V1500-F |      |
|         |                   | 403,86         | B-3         | F              | 406,40            | 16.00 | 25,40     | 101,60 | 18,26 | 112,71 | 95,25  | 1      | 35,2               | PHP 6-5V1600-F |      |
|         |                   | 472,44         | D-3         | F              | 474,98            | 18.70 | 25,40     | 101,60 | 0,79  | 112,71 | 95,25  | 18     | 38,9               | PHP 6-5V1870-F |      |
|         |                   | 535,94         | D-3         | F              | 538,48            | 21.20 | 25,40     | 101,60 | 0,79  | 112,71 | 95,25  | 18     | 43,5               | PHP 6-5V2120-F |      |
|         |                   | 596,90         | C-3         | J              | 599,44            | 23.60 | 38,10     | 114,30 | 3,18  | 112,71 | 117,48 | 2      | 51,3               | PHP 6-5V2360-J |      |
|         |                   | 708,66         | C-3         | J              | 711,20            | 28.00 | 38,10     | 114,30 | 3,18  | 112,71 | 117,48 | 2      | 67,1               | PHP 6-5V2800-J |      |
|         |                   | 797,56         | C-3         | J              | 800,10            | 31.50 | 38,10     | 114,30 | 3,18  | 112,71 | 117,48 | 2      | 83,0               | PHP 6-5V3150-J |      |
|         |                   | 949,96         | C-3         | J              | 952,50            | 37.50 | 38,10     | 114,30 | 3,18  | 112,71 | 117,48 | 2      | 98,9               | PHP 6-5V3750-J |      |
|         |                   | 1267,46        | C-3         | M              | 1270,00           | 50.00 | 50,80     | 139,70 | 27,78 | 112,71 | 171,45 | 31     | 140,6              | PHP 6-5V5000-M |      |
|         |                   | 5V             | 8           | 177,80         | A-1               | SF    | 180,34    | 7.10   | 12,70 | 74,61  | 32,54  | 147,64 | 52,39              | 63             | 11,2 |
| 187,96  | A-1               |                |             | SF             | 190,50            | 7.50  | 12,70     | 74,61  | 32,54 | 147,64 | 52,39  | 63     | 12,8               | PHP 8-5V750-SF |      |
| 200,66  | A-1               |                |             | E              | 203,20            | 8.00  | 22,23     | 63,50  | 34,13 | 147,64 | 69,85  | 44     | 15,9               | PHP 8-5V800-E  |      |
| 213,36  | A-1               |                |             | E              | 215,90            | 8.50  | 22,23     | 63,50  | 34,13 | 147,64 | 69,85  | 44     | 16,9               | PHP 8-5V850-E  |      |
| 226,06  | A-1               |                |             | E              | 228,60            | 9.00  | 22,23     | 63,50  | 34,13 | 147,64 | 69,85  | 44     | 19,1               | PHP 8-5V900-E  |      |
| 232,41  | A-1               |                |             | F              | 234,95            | 9.25  | 25,40     | 101,60 | 30,96 | 147,64 | 95,25  | 21     | 20,0               | PHP 8-5V925-F  |      |
| 245,11  | A-1               |                |             | F              | 247,65            | 9.75  | 25,40     | 101,60 | 30,96 | 147,64 | 95,25  | 21     | 22,0               | PHP 8-5V975-F  |      |
| 259,08  | A-1               |                |             | F              | 261,62            | 10.30 | 25,40     | 101,60 | 30,96 | 147,64 | 95,25  | 21     | 26,5               | PHP 8-5V1030-F |      |
| 274,32  | A-1               |                |             | F              | 276,86            | 10.90 | 25,40     | 101,60 | 30,96 | 147,64 | 95,25  | 21     | 28,6               | PHP 8-5V1090-F |      |
| 284,48  | A-1               |                |             | F              | 287,02            | 11.30 | 25,40     | 101,60 | 30,96 | 147,64 | 95,25  | 21     | 30,4               | PHP 8-5V1130-F |      |
| 297,18  | A-2               |                |             | F              | 299,72            | 11.80 | 25,40     | 101,60 | 30,96 | 147,64 | 95,25  | 21     | 32,2               | PHP 8-5V1180-F |      |
| 314,96  | A-3               |                |             | F              | 317,50            | 12.50 | 25,40     | 101,60 | 30,96 | 147,64 | 95,25  | 21     | 34,5               | PHP 8-5V1250-F |      |
| 332,74  | A-3               |                |             | F              | 335,28            | 13.20 | 25,40     | 101,60 | 30,96 | 147,64 | 95,25  | 21     | 36,3               | PHP 8-5V1320-F |      |
| 353,06  | A-3               |                |             | F              | 355,60            | 14.00 | 25,40     | 101,60 | 30,96 | 147,64 | 95,25  | 21     | 36,7               | PHP 8-5V1400-F |      |
| 378,46  | A-3               |                |             | F              | 381,00            | 15.00 | 25,40     | 101,60 | 30,96 | 147,64 | 95,25  | 21     | 37,7               | PHP 8-5V1500-F |      |
| 403,86  | A-3               |                |             | F              | 406,40            | 16.00 | 25,40     | 101,60 | 30,96 | 147,64 | 95,25  | 21     | 40,8               | PHP 8-5V1600-F |      |
| 472,44  | A-3               |                |             | J              | 474,98            | 18.70 | 38,10     | 114,30 | 3,18  | 147,64 | 117,48 | 27     | 54,4               | PHP 8-5V1870-J |      |
| 535,94  | A-3               |                |             | J              | 538,48            | 21.20 | 38,10     | 114,30 | 3,18  | 147,64 | 117,48 | 27     | 69,0               | PHP 8-5V2120-J |      |
| 596,90  | A-3               |                |             | J              | 599,44            | 23.60 | 38,10     | 114,30 | 3,18  | 147,64 | 117,48 | 27     | 83,9               | PHP 8-5V2360-J |      |
| 708,66  | A-3               |                |             | J              | 711,20            | 28.00 | 38,10     | 114,30 | 3,18  | 147,64 | 117,48 | 27     | 95,3               | PHP 8-5V2800-J |      |
| 797,56  | B-3               |                |             | M              | 800,10            | 31.50 | 50,80     | 139,70 | 8,73  | 147,64 | 171,45 | 33     | 109,8              | PHP 8-5V3150-M |      |
| 949,96  | B-3               |                |             | M              | 952,50            | 37.50 | 50,80     | 139,70 | 8,73  | 147,64 | 171,45 | 33     | 129,3              | PHP 8-5V3750-M |      |

<sup>1)</sup> Mass does not include bushings.

**Narrow wedge belt pulleys**  
5V QD bushed | 8V QD bushed

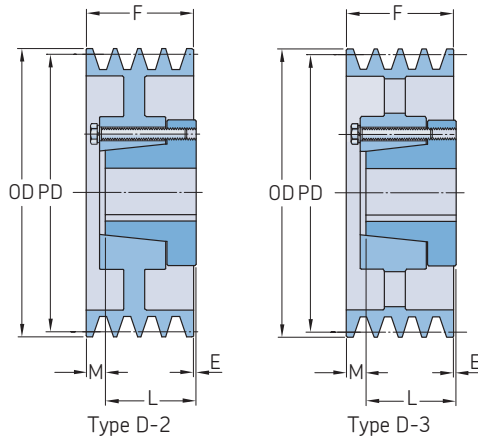


| Section | Number of grooves | Pitch diameter<br>PD | Pulley type | Bushing number | Dimensions        |        | Bore Min. | Bore Max. | E      | F      | L      | M      | Mass <sup>1)</sup> | Designation    |                 |
|---------|-------------------|----------------------|-------------|----------------|-------------------|--------|-----------|-----------|--------|--------|--------|--------|--------------------|----------------|-----------------|
|         |                   |                      |             |                | Outer diameter OD | in.    |           |           |        |        |        |        |                    |                |                 |
|         |                   | mm                   |             |                | mm                | in.    |           |           |        |        |        |        |                    | kg             |                 |
| 5V      | 10                | 200,66               | A-1         | E              | 203,20            | 8.00   | 22,23     | 88,90     | 53,18  | 182,56 | 69,85  | 60     | 17,1               | PHP 10-5V800-E |                 |
|         |                   | 213,36               | A-1         | E              | 215,90            | 8.50   | 22,23     | 88,90     | 53,18  | 182,56 | 69,85  | 60     | 20,2               | PHP 10-5V850-E |                 |
|         |                   | 226,06               | A-1         | F              | F                 | 228,60 | 9.00      | 25,40     | 101,60 | 50,01  | 182,56 | 95,25  | 37                 | 23,3           | PHP 10-5V900-F  |
|         |                   | 232,41               | A-1         | F              | F                 | 234,95 | 9.25      | 25,40     | 101,60 | 50,01  | 182,56 | 95,25  | 37                 | 24,0           | PHP 10-5V925-F  |
|         |                   | 245,11               | A-1         | F              | F                 | 247,65 | 9.75      | 25,40     | 101,60 | 50,01  | 182,56 | 95,25  | 37                 | 25,4           | PHP 10-5V975-F  |
|         |                   | 259,08               | A-1         | F              | F                 | 261,62 | 10.30     | 25,40     | 101,60 | 50,01  | 182,56 | 95,25  | 37                 | 29,0           | PHP 10-5V1030-F |
|         |                   | 274,32               | A-1         | F              | F                 | 276,86 | 10.90     | 25,40     | 101,60 | 50,01  | 182,56 | 95,25  | 37                 | 32,7           | PHP 10-5V1090-F |
|         |                   | 284,48               | A-1         | F              | F                 | 287,02 | 11.30     | 25,40     | 101,60 | 50,01  | 182,56 | 95,25  | 37                 | 34,9           | PHP 10-5V1130-F |
|         |                   | 297,18               | A-2         | F              | F                 | 299,72 | 11.80     | 25,40     | 101,60 | 50,01  | 182,56 | 95,25  | 37                 | 36,7           | PHP 10-5V1180-F |
|         |                   | 314,96               | A-2         | J              | J                 | 317,50 | 12.50     | 38,10     | 114,30 | 53,98  | 182,56 | 117,48 | 11                 | 50,8           | PHP 10-5V1250-J |
|         |                   | 332,74               | A-2         | J              | J                 | 335,28 | 13.20     | 38,10     | 114,30 | 53,98  | 182,56 | 117,48 | 11                 | 52,6           | PHP 10-5V1320-J |
|         |                   | 353,06               | A-3         | J              | J                 | 355,60 | 14.00     | 38,10     | 114,30 | 53,98  | 182,56 | 117,48 | 11                 | 59,0           | PHP 10-5V1400-J |
|         |                   | 378,46               | A-3         | J              | J                 | 381,00 | 15.00     | 38,10     | 114,30 | 53,98  | 182,56 | 117,48 | 11                 | 62,6           | PHP 10-5V1500-J |
|         |                   | 403,86               | A-3         | J              | J                 | 406,40 | 16.00     | 38,10     | 114,30 | 53,98  | 182,56 | 117,48 | 11                 | 66,2           | PHP 10-5V1600-J |
|         |                   | 472,44               | A-3         | J              | J                 | 474,98 | 18.70     | 38,10     | 114,30 | 3,18   | 182,56 | 117,48 | 62                 | 71,2           | PHP 10-5V1870-J |
|         |                   | 535,94               | A-3         | J              | J                 | 538,48 | 21.20     | 38,10     | 114,30 | 3,18   | 182,56 | 117,48 | 62                 | 76,2           | PHP 10-5V2120-J |
|         |                   | 596,90               | A-3         | M              | M                 | 599,44 | 23.60     | 50,80     | 139,70 | 8,73   | 182,56 | 171,45 | 2                  | 96,6           | PHP 10-5V2360-M |
|         |                   | 708,66               | A-3         | M              | M                 | 711,20 | 28.00     | 50,80     | 139,70 | 8,73   | 182,56 | 171,45 | 2                  | 108,9          | PHP 10-5V2800-M |
|         |                   | 797,56               | A-3         | M              | M                 | 800,10 | 31.50     | 50,80     | 139,70 | 8,73   | 182,56 | 171,45 | 2                  | 124,7          | PHP 10-5V3150-M |
|         |                   | 949,96               | A-3         | M              | M                 | 952,50 | 37.50     | 50,80     | 139,70 | 8,73   | 182,56 | 171,45 | 2                  | 142,9          | PHP 10-5V3750-M |
| 1267,46 | A-3               | M                    | M           | 1270,00        | 50.00             | 50,80  | 139,70    | 8,73      | 182,56 | 171,45 | 2      | 207,8  | PHP 10-5V5000-M    |                |                 |
| 8V      | 4                 | 312,42               | D-2         | F              | 317,50            | 12.50  | 25,40     | 101,60    | 3,97   | 123,83 | 95,25  | 33     | 34,0               | PHP 4-8V1250-F |                 |
|         |                   | 330,20               | D-2         | F              | 335,28            | 13.20  | 25,40     | 101,60    | 3,97   | 123,83 | 95,25  | 33     | 36,7               | PHP 4-8V1320-F |                 |
|         |                   | 350,52               | D-3         | F              | 355,60            | 14.00  | 25,40     | 101,60    | 3,97   | 123,83 | 95,25  | 33     | 39,5               | PHP 4-8V1400-F |                 |
|         |                   | 375,92               | D-3         | F              | 381,00            | 15.00  | 25,40     | 101,60    | 3,97   | 123,83 | 95,25  | 33     | 41,3               | PHP 4-8V1500-F |                 |
|         |                   | 401,32               | D-3         | F              | 406,40            | 16.00  | 25,40     | 101,60    | 3,97   | 123,83 | 95,25  | 33     | 43,5               | PHP 4-8V1600-F |                 |
|         |                   | 426,72               | D-3         | F              | 431,80            | 17.00  | 25,40     | 101,60    | 3,97   | 123,83 | 95,25  | 33     | 47,2               | PHP 4-8V1700-F |                 |
|         |                   | 452,12               | D-3         | F              | 457,20            | 18.00  | 25,40     | 101,60    | 3,97   | 123,83 | 95,25  | 33     | 51,7               | PHP 4-8V1800-F |                 |
|         |                   | 477,52               | D-3         | F              | 482,60            | 19.00  | 25,40     | 101,60    | 3,97   | 123,83 | 95,25  | 33     | 54,9               | PHP 4-8V1900-F |                 |
|         |                   | 502,92               | D-3         | J              | 508,00            | 20.00  | 38,10     | 114,30    | -      | 123,83 | 117,48 | 6      | 61,7               | PHP 4-8V2000-J |                 |
|         |                   | 533,40               | D-3         | J              | 538,48            | 21.20  | 38,10     | 114,30    | -      | 123,83 | 117,48 | 6      | 65,8               | PHP 4-8V2120-J |                 |
|         |                   | 563,88               | D-3         | J              | 568,96            | 22.40  | 38,10     | 114,30    | -      | 123,83 | 117,48 | 6      | 69,9               | PHP 4-8V2240-J |                 |
|         |                   | 624,84               | C-3         | M              | 629,92            | 24.80  | 50,80     | 139,70    | 19,84  | 123,83 | 171,45 | 28     | 79,8               | PHP 4-8V2480-M |                 |
|         |                   | 756,92               | C-3         | M              | 762,00            | 30.00  | 50,80     | 139,70    | 19,84  | 123,83 | 171,45 | 28     | 101,6              | PHP 4-8V3000-M |                 |
|         |                   | 896,62               | C-3         | M              | 901,70            | 35.50  | 50,80     | 139,70    | 19,84  | 123,83 | 171,45 | 28     | 121,1              | PHP 4-8V3550-M |                 |
|         |                   | 1010,92              | C-3         | M              | 1016,00           | 40.00  | 50,80     | 139,70    | 19,84  | 123,83 | 171,45 | 28     | 140,6              | PHP 4-8V4000-M |                 |
|         |                   | 1125,22              | C-3         | M              | 1130,30           | 44.50  | 50,80     | 139,70    | 19,84  | 123,83 | 171,45 | 28     | 164,7              | PHP 4-8V4450-M |                 |
|         |                   | 1341,12              | C-3         | M              | 1346,20           | 53.00  | 50,80     | 139,70    | 19,84  | 123,83 | 171,45 | 28     | 198,2              | PHP 4-8V5300-M |                 |
|         |                   | 8V                   | 5           | 312,42         | A-2               | F      | 317,50    | 12.50     | 25,40  | 101,60 | 24,61  | 152,40 | 95,25              | 33             | 37,2            |
| 330,20  | A-2               |                      |             | F              | 335,28            | 13.20  | 25,40     | 101,60    | 24,61  | 152,40 | 95,25  | 33     | 40,4               | PHP 5-8V1320-F |                 |
| 350,52  | A-3               |                      |             | F              | 355,60            | 14.00  | 25,40     | 101,60    | 24,61  | 152,40 | 95,25  | 33     | 44,9               | PHP 5-8V1400-F |                 |
| 375,92  | A-3               |                      |             | F              | 381,00            | 15.00  | 25,40     | 101,60    | 24,61  | 152,40 | 95,25  | 33     | 46,7               | PHP 5-8V1500-F |                 |
| 401,32  | A-3               |                      |             | F              | 406,40            | 16.00  | 25,40     | 101,60    | 24,61  | 152,40 | 95,25  | 33     | 50,4               | PHP 5-8V1600-F |                 |
| 426,72  | A-3               |                      |             | J              | 431,80            | 17.00  | 38,10     | 114,30    | 14,29  | 152,40 | 117,48 | 21     | 54,0               | PHP 5-8V1700-J |                 |
| 452,12  | A-3               |                      |             | J              | 457,20            | 18.00  | 38,10     | 114,30    | 14,29  | 152,40 | 117,48 | 21     | 59,4               | PHP 5-8V1800-J |                 |
| 477,52  | A-3               |                      |             | J              | 482,60            | 19.00  | 38,10     | 114,30    | 14,29  | 152,40 | 117,48 | 21     | 64,4               | PHP 5-8V1900-J |                 |
| 502,92  | A-3               |                      |             | J              | 508,00            | 20.00  | 38,10     | 114,30    | 14,29  | 152,40 | 117,48 | 21     | 68,5               | PHP 5-8V2000-J |                 |
| 533,40  | A-3               |                      |             | J              | 538,48            | 21.20  | 38,10     | 114,30    | 14,29  | 152,40 | 117,48 | 21     | 75,8               | PHP 5-8V2120-J |                 |
| 563,88  | B-3               |                      |             | M              | 568,96            | 22.40  | 50,80     | 139,70    | 8,73   | 152,40 | 171,45 | 28     | 80,7               | PHP 5-8V2240-M |                 |
| 624,84  | B-3               |                      |             | M              | 629,92            | 24.80  | 50,80     | 139,70    | 8,73   | 152,40 | 171,45 | 28     | 91,2               | PHP 5-8V2480-M |                 |
| 756,92  | B-3               |                      |             | M              | 762,00            | 30.00  | 50,80     | 139,70    | 8,73   | 152,40 | 171,45 | 28     | 110,2              | PHP 5-8V3000-M |                 |
| 896,62  | B-3               |                      |             | M              | 901,70            | 35.50  | 50,80     | 139,70    | 8,73   | 152,40 | 171,45 | 28     | 126,1              | PHP 5-8V3550-M |                 |
| 1010,92 | B-3               |                      |             | M              | 1016,00           | 40.00  | 50,80     | 139,70    | 8,73   | 152,40 | 171,45 | 28     | 154,2              | PHP 5-8V4000-M |                 |

<sup>1)</sup> Mass does not include bushings.

# Narrow wedge belt pulleys

8V QD bushed

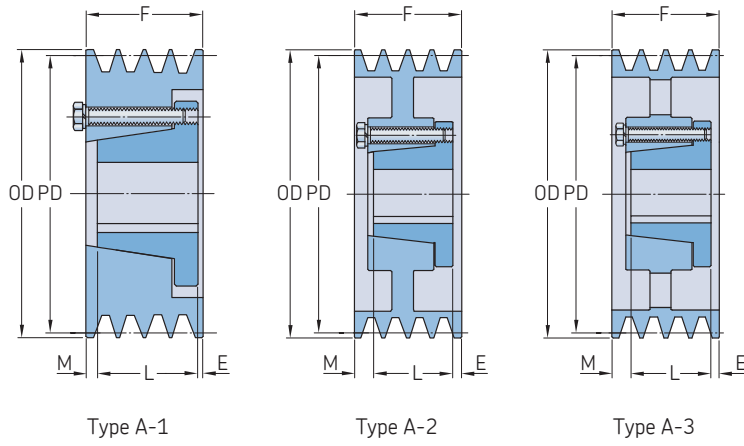


| Section | Number of grooves | Pitch diameter<br>PD | Pulley type | Bushing number | Dimensions           |           |        |        |       |        |        | Mass <sup>1)</sup><br>kg | Designation |                 |      |                 |
|---------|-------------------|----------------------|-------------|----------------|----------------------|-----------|--------|--------|-------|--------|--------|--------------------------|-------------|-----------------|------|-----------------|
|         |                   |                      |             |                | Outer diameter<br>OD | Bore Min. | Max.   | E      | F     | L      | M      |                          |             |                 |      |                 |
|         |                   | mm                   |             |                | mm                   | in.       |        |        |       |        |        |                          |             |                 |      |                 |
| 8V      | 5                 | 1125,22              | C-3         | N              | 1130,30              | 44.50     | 61.91  | 138.11 | 28.58 | 152.40 | 206.38 | 25                       | 189,6       | PHP 5-8V4450-N  |      |                 |
|         |                   | 1341,12              | C-3         | N              | 1346,20              | 53.00     | 61.91  | 138.11 | 28.58 | 152.40 | 206.38 | 25                       | 225,0       | PHP 5-8V5300-N  |      |                 |
| 8V      | 6                 | 312,42               | A-2         | F              | 317,50               | 12.50     | 25.40  | 101.60 | 24.61 | 180.98 | 95.25  | 61                       | 40,8        | PHP 6-8V1250-F  |      |                 |
|         |                   | 330,20               | A-2         | F              | 335,28               | 13.20     | 25.40  | 101.60 | 24.61 | 180.98 | 95.25  | 61                       | 44,5        | PHP 6-8V1320-F  |      |                 |
|         |                   | 350,52               | A-3         | F              | 355,60               | 14.00     | 25.40  | 101.60 | 24.61 | 180.98 | 95.25  | 61                       | 50,8        | PHP 6-8V1400-F  |      |                 |
|         |                   | 375,92               | A-2         | J              | 381,00               | 15.00     | 38.10  | 114.30 | 28.58 | 180.98 | 117.48 | 35                       | 55,8        | PHP 6-8V1500-J  |      |                 |
|         |                   | 401,32               | A-3         | J              | 406,40               | 16.00     | 38.10  | 114.30 | 28.58 | 180.98 | 117.48 | 35                       | 58,5        | PHP 6-8V1600-J  |      |                 |
|         |                   | 426,72               | A-3         | J              | 431,80               | 17.00     | 38.10  | 114.30 | 28.58 | 180.98 | 117.48 | 35                       | 61,7        | PHP 6-8V1700-J  |      |                 |
|         |                   | 452,12               | A-3         | J              | 457,20               | 18.00     | 38.10  | 114.30 | 28.58 | 180.98 | 117.48 | 35                       | 64,9        | PHP 6-8V1800-J  |      |                 |
|         |                   | 477,52               | A-3         | J              | 482,60               | 19.00     | 38.10  | 114.30 | 28.58 | 180.98 | 117.48 | 35                       | 71,2        | PHP 6-8V1900-J  |      |                 |
|         |                   | 502,92               | B-3         | M              | 508,00               | 20.00     | 50.80  | 139.70 | 34.13 | 180.98 | 171.45 | 25                       | 81,2        | PHP 6-8V2000-M  |      |                 |
|         |                   | 533,40               | B-3         | M              | 538,48               | 21.20     | 50.80  | 139.70 | 34.13 | 180.98 | 171.45 | 25                       | 87,5        | PHP 6-8V2120-M  |      |                 |
|         |                   | 563,88               | B-3         | M              | 568,96               | 22.40     | 50.80  | 139.70 | 34.13 | 180.98 | 171.45 | 25                       | 93,0        | PHP 6-8V2240-M  |      |                 |
|         |                   | 624,84               | A-3         | M              | 629,92               | 24.80     | 50.80  | 139.70 | 8.73  | 180.98 | 171.45 | 1                        | 106,6       | PHP 6-8V2480-M  |      |                 |
|         |                   | 756,92               | A-3         | M              | 762,00               | 30.00     | 50.80  | 139.70 | 8.73  | 180.98 | 171.45 | 1                        | 129,3       | PHP 6-8V3000-M  |      |                 |
|         |                   | 896,62               | C-3         | N              | 901,70               | 35.50     | 61.91  | 138.11 | 23.81 | 180.98 | 206.38 | 2                        | 154,2       | PHP 6-8V3500-N  |      |                 |
|         |                   | 1010,92              | C-3         | N              | 1016,00              | 40.00     | 61.91  | 138.11 | 23.81 | 180.98 | 206.38 | 2                        | 178,7       | PHP 6-8V4000-N  |      |                 |
|         |                   | 1125,22              | C-3         | N              | 1130,30              | 44.50     | 61.91  | 138.11 | 23.81 | 180.98 | 206.38 | 2                        | 221,8       | PHP 6-8V4450-N  |      |                 |
|         |                   | 1341,12              | C-3         | N              | 1346,20              | 53.00     | 61.91  | 138.11 | 23.81 | 180.98 | 206.38 | 2                        | 264,9       | PHP 6-8V5300-N  |      |                 |
|         |                   | 8V                   | 8           | 312,42         | A-1                  | J         | 317,50 | 12.50  | 38.10 | 114.30 | 53.98  | 238.13                   | 117.48      | 67              | 59,4 | PHP 8-8V1250-J  |
|         |                   |                      |             | 330,20         | A-1                  | J         | 335,28 | 13.20  | 38.10 | 114.30 | 53.98  | 238.13                   | 117.48      | 67              | 72,6 | PHP 8-8V1320-J  |
|         |                   |                      |             | 350,52         | A-2                  | J         | 355,60 | 14.00  | 38.10 | 114.30 | 53.98  | 238.13                   | 117.48      | 67              | 79,4 | PHP 8-8V1400-J  |
| 375,92  | A-2               |                      |             | J              | 381,00               | 15.00     | 38.10  | 114.30 | 53.98 | 238.13 | 117.48 | 67                       | 84,4        | PHP 8-8V1500-J  |      |                 |
| 401,32  | A-2               |                      |             | J              | 406,40               | 16.00     | 38.10  | 114.30 | 53.98 | 238.13 | 117.48 | 67                       | 95,3        | PHP 8-8V1600-J  |      |                 |
| 426,72  | A-2               |                      |             | M              | 431,80               | 17.00     | 50.80  | 139.70 | 59.53 | 238.13 | 171.45 | 7                        | 100,2       | PHP 8-8V1700-M  |      |                 |
| 452,12  | A-2               |                      |             | M              | 457,20               | 18.00     | 50.80  | 139.70 | 59.53 | 238.13 | 171.45 | 7                        | 106,6       | PHP 8-8V1800-M  |      |                 |
| 477,52  | A-3               |                      |             | M              | 482,60               | 19.00     | 50.80  | 139.70 | 59.53 | 238.13 | 171.45 | 7                        | 113,4       | PHP 8-8V1900-M  |      |                 |
| 502,92  | A-3               |                      |             | M              | 508,00               | 20.00     | 50.80  | 139.70 | 59.53 | 238.13 | 171.45 | 7                        | 120,2       | PHP 8-8V2000-M  |      |                 |
| 533,40  | A-3               |                      |             | M              | 538,48               | 21.20     | 50.80  | 139.70 | 59.53 | 238.13 | 171.45 | 7                        | 127,0       | PHP 8-8V2120-M  |      |                 |
| 563,88  | A-3               |                      |             | M              | 568,96               | 22.40     | 50.80  | 139.70 | 59.53 | 238.13 | 171.45 | 7                        | 133,8       | PHP 8-8V2240-M  |      |                 |
| 624,84  | A-2               |                      |             | N              | 629,92               | 24.80     | 61.91  | 138.11 | 4.76  | 238.13 | 206.38 | 17                       | 145,2       | PHP 8-8V2480-N  |      |                 |
| 756,92  | A-3               |                      |             | N              | 762,00               | 30.00     | 61.91  | 138.11 | 4.76  | 238.13 | 206.38 | 17                       | 170,1       | PHP 8-8V3000-N  |      |                 |
| 896,62  | A-3               |                      |             | N              | 901,70               | 35.50     | 61.91  | 138.11 | 4.76  | 238.13 | 206.38 | 17                       | 200,5       | PHP 8-8V3500-N  |      |                 |
| 1010,92 | A-3               |                      |             | N              | 1016,00              | 40.00     | 61.91  | 138.11 | 4.76  | 238.13 | 206.38 | 17                       | 240,4       | PHP 8-8V4000-N  |      |                 |
| 1125,22 | B-3               |                      |             | P              | 1130,30              | 44.50     | 74.61  | 177.80 | 6.35  | 238.13 | 238.13 | 6                        | 276,7       | PHP 8-8V4450-P  |      |                 |
| 1341,12 | B-3               |                      |             | P              | 1346,20              | 53.00     | 74.61  | 177.80 | 6.35  | 238.13 | 238.13 | 6                        | 360,6       | PHP 8-8V5300-P  |      |                 |
| 8V      | 10                |                      |             | 312,42         | A-1                  | J         | 317,50 | 12.50  | 38.10 | 114.30 | 53.98  | 295.28                   | 117.48      | 131             | 70,3 | PHP 10-8V1250-J |
|         |                   |                      |             | 330,20         | A-1                  | J         | 335,28 | 13.20  | 38.10 | 114.30 | 53.98  | 295.28                   | 117.48      | 131             | 86,2 | PHP 10-8V1320-J |
|         |                   |                      |             | 350,52         | A-1                  | J         | 355,60 | 14.00  | 38.10 | 114.30 | 53.98  | 295.28                   | 117.48      | 131             | 95,3 | PHP 10-8V1400-J |
|         |                   | 375,92               | A-1         | M              | 381,00               | 15.00     | 50.80  | 139.70 | 59.53 | 295.28 | 171.45 | 64                       | 120,7       | PHP 10-8V1500-M |      |                 |
|         |                   | 401,32               | A-2         | M              | 406,40               | 16.00     | 50.80  | 139.70 | 59.53 | 295.28 | 171.45 | 64                       | 116,1       | PHP 10-8V1600-M |      |                 |
|         |                   | 426,72               | A-1         | M              | 431,80               | 17.00     | 50.80  | 139.70 | 59.53 | 295.28 | 171.45 | 64                       | 127,5       | PHP 10-8V1700-M |      |                 |
|         |                   | 452,12               | A-2         | M              | 457,20               | 18.00     | 50.80  | 139.70 | 59.53 | 295.28 | 171.45 | 64                       | 131,5       | PHP 10-8V1800-M |      |                 |
|         |                   | 477,52               | A-2         | M              | 482,60               | 19.00     | 50.80  | 139.70 | 59.53 | 295.28 | 171.45 | 64                       | 136,5       | PHP 10-8V1900-M |      |                 |
|         |                   | 502,92               | A-2         | M              | 508,00               | 20.00     | 50.80  | 139.70 | 59.53 | 295.28 | 171.45 | 64                       | 147,4       | PHP 10-8V2000-M |      |                 |
|         |                   | 533,40               | A-2         | M              | 538,48               | 21.20     | 50.80  | 139.70 | 59.53 | 295.28 | 171.45 | 64                       | 154,2       | PHP 10-8V2120-M |      |                 |
|         |                   | 563,88               | A-2         | N              | 568,96               | 22.40     | 61.91  | 138.11 | 4.76  | 295.28 | 206.38 | 84                       | 165,6       | PHP 10-8V2240-N |      |                 |
|         |                   | 624,84               | A-2         | N              | 629,92               | 24.80     | 61.91  | 138.11 | 4.76  | 295.28 | 206.38 | 84                       | 176,9       | PHP 10-8V2480-N |      |                 |
|         |                   | 756,92               | A-3         | N              | 762,00               | 30.00     | 61.91  | 138.11 | 4.76  | 295.28 | 206.38 | 84                       | 197,3       | PHP 10-8V3000-N |      |                 |
|         |                   | 896,62               | A-2         | P              | 901,70               | 35.50     | 74.61  | 177.80 | 6.35  | 295.28 | 238.13 | 51                       | 230,0       | PHP 10-8V3500-P |      |                 |
|         |                   | 1010,92              | A-3         | P              | 1016,00              | 40.00     | 74.61  | 177.80 | 6.35  | 295.28 | 238.13 | 51                       | 279,0       | PHP 10-8V4000-P |      |                 |
|         |                   | 1125,22              | A-2         | P              | 1130,30              | 44.50     | 74.61  | 177.80 | 6.35  | 295.28 | 238.13 | 51                       | 322,1       | PHP 10-8V4450-P |      |                 |

<sup>1)</sup> Mass does not include bushings.

# Narrow wedge belt pulleys

8V QD bushed

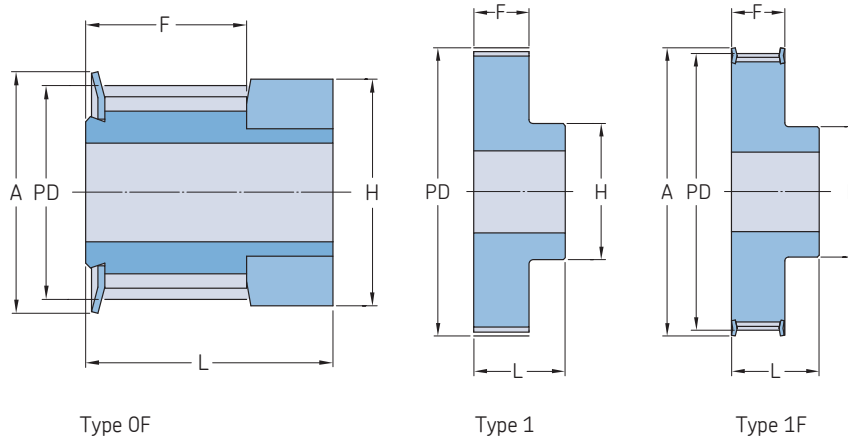


| Section | Number of grooves | Pitch diameter<br>PD | Pulley type | Bushing number | Dimensions           |            | Bore<br>Min. | Bore<br>Max. | E      | F      | L      | M     | Mass <sup>1)</sup><br>kg | Designation     |
|---------|-------------------|----------------------|-------------|----------------|----------------------|------------|--------------|--------------|--------|--------|--------|-------|--------------------------|-----------------|
|         |                   |                      |             |                | Outer diameter<br>OD | <i>in.</i> |              |              |        |        |        |       |                          |                 |
| –       | –                 | mm                   | –           | –              | mm                   | <i>in.</i> |              |              |        |        |        |       | kg                       | –               |
| 8V      | 10                | 1341,12              | A-3         | P              | 1346,20              | 53.00      | 74.61        | 177.80       | 6.35   | 295.28 | 238.13 | 51    | 428,6                    | PHP 10-8V5300-P |
| 8V      | 12                | 312,42               | A-1         | M              | 317,50               | 12.50      | 50.80        | 139.70       | 59.53  | 339.73 | 171.45 | 121   | 88,5                     | PHP 12-8V1250-M |
|         |                   | 330,20               | A-1         | M              | 335,28               | 13.20      | 50.80        | 139.70       | 59.53  | 339.73 | 171.45 | 121   | 104,3                    | PHP 12-8V1320-M |
|         |                   | 350,52               | A-1         | M              | 355,60               | 14.00      | 50.80        | 139.70       | 59.53  | 339.73 | 171.45 | 121   | 113,4                    | PHP 12-8V1400-M |
|         |                   | 375,92               | A-1         | M              | 381,00               | 15.00      | 50.80        | 139.70       | 59.53  | 339.73 | 171.45 | 121   | 121,6                    | PHP 12-8V1500-M |
|         |                   | 401,32               | A-1         | M              | 406,40               | 16.00      | 50.80        | 139.70       | 59.53  | 339.73 | 171.45 | 121   | 134,3                    | PHP 12-8V1600-M |
|         |                   | 426,72               | A-1         | M              | 431,80               | 17.00      | 50.80        | 139.70       | 59.53  | 339.73 | 171.45 | 121   | 154,7                    | PHP 12-8V1700-M |
|         |                   | 452,12               | A-1         | M              | 457,20               | 18.00      | 50.80        | 139.70       | 59.53  | 339.73 | 171.45 | 121   | 156,5                    | PHP 12-8V1800-M |
|         |                   | 477,52               | A-1         | N              | 482,60               | 19.00      | 61.91        | 138.11       | 4.76   | 339.73 | 206.38 | 141   | 159,7                    | PHP 12-8V1900-N |
|         |                   | 502,92               | A-1         | N              | 508,00               | 20.00      | 61.91        | 138.11       | 4.76   | 339.73 | 206.38 | 141   | 174,6                    | PHP 12-8V2000-N |
|         |                   | 533,40               | A-1         | N              | 538,48               | 21.20      | 61.91        | 138.11       | 4.76   | 339.73 | 206.38 | 141   | 181,4                    | PHP 12-8V2120-N |
|         |                   | 563,88               | A-1         | N              | 568,96               | 22.40      | 61.91        | 138.11       | 4.76   | 339.73 | 206.38 | 141   | 197,3                    | PHP 12-8V2240-N |
|         |                   | 624,84               | A-1         | N              | 629,92               | 24.80      | 61.91        | 138.11       | 4.76   | 339.73 | 206.38 | 141   | 208,7                    | PHP 12-8V2480-N |
|         |                   | 756,92               | A-2         | P              | 762,00               | 30.00      | 74.61        | 177.80       | 6.35   | 339.73 | 238.13 | 108   | 224,5                    | PHP 12-8V3000-P |
|         |                   | 896,62               | A-2         | P              | 901,70               | 35.50      | 74.61        | 177.80       | 6.35   | 339.73 | 238.13 | 108   | 259,5                    | PHP 12-8V3550-P |
|         |                   | 1010,92              | A-2         | P              | 1016,00              | 40.00      | 74.61        | 177.80       | 6.35   | 339.73 | 238.13 | 108   | 317,5                    | PHP 12-8V4000-P |
|         |                   | 1125,22              | A-2         | P              | 1130,30              | 44.50      | 74.61        | 177.80       | 6.35   | 339.73 | 238.13 | 108   | 374,2                    | PHP 12-8V4450-P |
|         | 1341,12           | A-2                  | P           | 1346,20        | 53.00                | 74.61      | 177.80       | 6.35         | 339.73 | 238.13 | 108    | 489,9 | PHP 12-8V5300-P          |                 |

<sup>1)</sup> Mass does not include bushings.

# HiTD pulleys

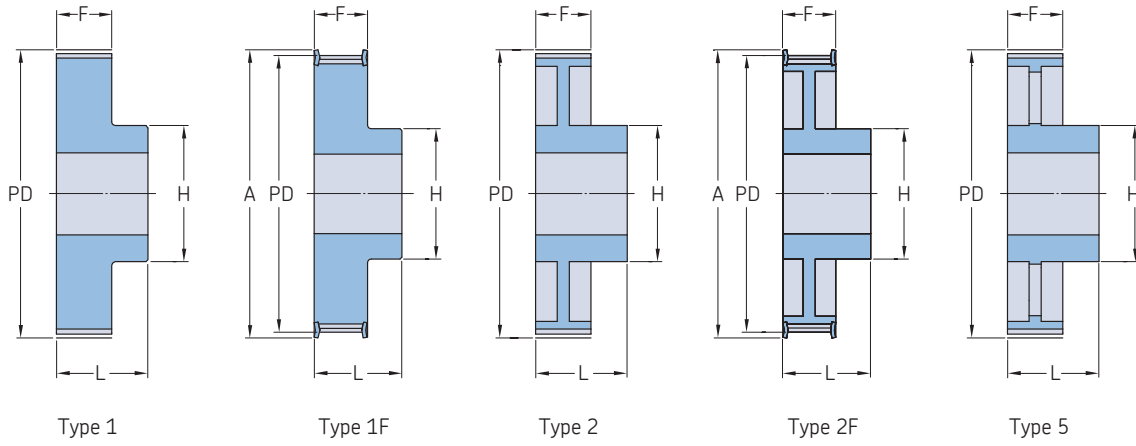
3 mm pitch pilot bore (RSB) | 5 mm pitch pilot bore (RSB)



| Pitch | Belt width | Pitch diameter | Number of teeth | Pulley type | Dimensions        |       |        |      |      |      |      |      |                 | Mass            | Designation     |                 |
|-------|------------|----------------|-----------------|-------------|-------------------|-------|--------|------|------|------|------|------|-----------------|-----------------|-----------------|-----------------|
|       |            |                |                 |             | Outer diameter OD | A     | B Min. | Max. | F    | K    | L    | M    | H               |                 |                 |                 |
| mm    |            | PD             | -               | -           | mm                |       |        |      |      |      |      |      |                 | kg              | -               |                 |
| 3     | 09         | 9,55           | 10              | OF          | 8,79              | 13,0  | -      | 4,0  | 10,2 | -    | 17,5 | -    | 13,0            | 0,04            | PHP 10-3M-09RSB |                 |
|       |            | 11,46          | 12              | OF          | 10,70             | 15,0  | -      | 6,0  | 10,2 | -    | 17,5 | -    | 15,0            | 0,06            | PHP 12-3M-09RSB |                 |
|       |            | 13,37          | 14              | OF          | 12,61             | 16,0  | -      | 7,0  | 10,2 | -    | 17,5 | -    | 16,0            | 0,07            | PHP 14-3M-09RSB |                 |
|       |            | 14,32          | 15              | OF          | 13,56             | 17,5  | -      | 8,0  | 10,2 | -    | 17,5 | -    | 17,5            | 0,08            | PHP 15-3M-09RSB |                 |
|       |            | 15,28          | 16              | 1F          | 14,52             | 18,0  | 4      | 6,0  | 12,8 | -    | 20,6 | -    | 10,0            | 0,07            | PHP 16-3M-09RSB |                 |
|       |            | 17,19          | 18              | 1F          | 16,43             | 19,5  | 6      | 6,5  | 12,8 | -    | 20,6 | -    | 11,0            | 0,08            | PHP 18-3M-09RSB |                 |
|       |            | 19,10          | 20              | 1F          | 18,34             | 23,0  | 6      | 8,0  | 12,8 | -    | 20,6 | -    | 13,0            | 0,01            | PHP 20-3M-09RSB |                 |
|       |            | 20,05          | 21              | 1F          | 19,29             | 25,0  | 6      | 8,5  | 12,8 | -    | 20,6 | -    | 14,0            | 0,01            | PHP 21-3M-09RSB |                 |
|       |            | 21,01          | 22              | 1F          | 20,25             | 25,0  | 6      | 8,5  | 12,8 | -    | 20,6 | -    | 14,0            | 0,01            | PHP 22-3M-09RSB |                 |
|       |            | 22,92          | 24              | 1F          | 22,16             | 25,0  | 6      | 8,5  | 12,8 | -    | 20,6 | -    | 14,0            | 0,02            | PHP 24-3M-09RSB |                 |
|       |            | 24,83          | 26              | 1F          | 24,07             | 28,0  | 6      | 10,5 | 12,8 | -    | 20,6 | -    | 16,0            | 0,02            | PHP 26-3M-09RSB |                 |
|       |            | 26,74          | 28              | 1F          | 25,98             | 32,0  | 6      | 11,5 | 12,8 | -    | 20,6 | -    | 18,0            | 0,02            | PHP 28-3M-09RSB |                 |
|       | 28,65      | 30             | 1F              | 27,89       | 32,0              | 6     | 12,5   | 12,8 | -    | 20,6 | -    | 20,0 | 0,03            | PHP 30-3M-09RSB |                 |                 |
|       | 30,56      | 32             | 1F              | 29,80       | 36,0              | 6     | 14,0   | 12,8 | -    | 20,6 | -    | 22,0 | 0,03            | PHP 32-3M-09RSB |                 |                 |
|       | 34,38      | 36             | 1F              | 33,62       | 38,0              | 6     | 17,0   | 13,4 | -    | 22,2 | -    | 26,0 | 0,05            | PHP 36-3M-09RSB |                 |                 |
|       | 38,20      | 40             | 1F              | 37,44       | 42,0              | 6     | 19,0   | 13,4 | -    | 22,2 | -    | 28,0 | 0,06            | PHP 40-3M-09RSB |                 |                 |
|       | 42,02      | 44             | 1F              | 41,26       | 48,0              | 6     | 22,5   | 13,4 | -    | 22,2 | -    | 33,0 | 0,07            | PHP 44-3M-09RSB |                 |                 |
|       | 45,84      | 48             | 1               | 45,08       | -                 | 8     | 22,5   | 13,4 | -    | 22,2 | -    | 33,0 | 0,07            | PHP 48-3M-09RSB |                 |                 |
|       | 57,30      | 60             | 1               | 56,54       | -                 | 8     | 22,5   | 13,4 | -    | 22,2 | -    | 33,0 | 0,11            | PHP 60-3M-09RSB |                 |                 |
|       | 68,75      | 72             | 1               | 67,99       | -                 | 8     | 22,5   | 13,4 | -    | 22,2 | -    | 33,0 | 0,14            | PHP 72-3M-09RSB |                 |                 |
|       | 3          | 15             | 9,55            | 10          | OF                | 8,79  | 13,0   | -    | 3,0  | 17,0 | -    | 26,0 | -               | 13,0            | 0,04            | PHP 10-3M-15RSB |
|       |            |                | 11,46           | 12          | OF                | 10,70 | 15,0   | -    | 5,0  | 17,0 | -    | 26,0 | -               | 15,0            | 0,06            | PHP 12-3M-15RSB |
|       |            |                | 13,37           | 14          | OF                | 12,61 | 16,0   | -    | 6,0  | 17,0 | -    | 26,0 | -               | 16,0            | 0,07            | PHP 14-3M-15RSB |
|       |            |                | 14,32           | 15          | OF                | 13,56 | 17,5   | -    | 6,0  | 17,0 | -    | 26,0 | -               | 17,5            | 0,08            | PHP 15-3M-15RSB |
| 15,28 |            |                | 16              | 1F          | 14,52             | 18,0  | 4      | 7,0  | 19,5 | -    | 26,0 | -    | 10,0            | 0,07            | PHP 16-3M-15RSB |                 |
| 17,19 |            |                | 18              | 1F          | 16,43             | 19,5  | 6      | 8,0  | 19,5 | -    | 26,0 | -    | 11,0            | 0,08            | PHP 18-3M-15RSB |                 |
| 19,10 |            |                | 20              | 1F          | 18,34             | 23,0  | 6      | 9,0  | 19,5 | -    | 26,0 | -    | 13,0            | 0,01            | PHP 20-3M-15RSB |                 |
| 20,05 |            |                | 21              | 1F          | 19,29             | 25,0  | 6      | 9,0  | 19,5 | -    | 26,0 | -    | 14,0            | 0,01            | PHP 21-3M-15RSB |                 |
| 21,01 |            |                | 22              | 1F          | 20,25             | 25,0  | 6      | 9,0  | 19,5 | -    | 26,0 | -    | 14,0            | 0,01            | PHP 22-3M-15RSB |                 |
| 22,92 |            |                | 24              | 1F          | 22,16             | 25,0  | 6      | 9,0  | 19,5 | -    | 26,0 | -    | 14,0            | 0,02            | PHP 24-3M-15RSB |                 |
| 24,83 |            |                | 26              | 1F          | 24,07             | 28,0  | 6      | 11,0 | 19,5 | -    | 26,0 | -    | 16,0            | 0,02            | PHP 26-3M-15RSB |                 |
| 26,74 |            |                | 28              | 1F          | 25,98             | 32,0  | 6      | 12,0 | 19,5 | -    | 26,0 | -    | 18,0            | 0,02            | PHP 28-3M-15RSB |                 |
| 28,65 |            | 30             | 1F              | 27,89       | 32,0              | 6     | 14,0   | 19,5 | -    | 26,0 | -    | 20,0 | 0,03            | PHP 30-3M-15RSB |                 |                 |
| 30,56 |            | 32             | 1F              | 29,80       | 36,0              | 6     | 15,0   | 19,5 | -    | 26,0 | -    | 22,0 | 0,03            | PHP 32-3M-15RSB |                 |                 |
| 34,38 |            | 36             | 1F              | 33,62       | 38,0              | 6     | 16,0   | 20,0 | -    | 30,0 | -    | 26,0 | 0,05            | PHP 36-3M-15RSB |                 |                 |
| 38,20 |            | 40             | 1F              | 37,44       | 42,0              | 6     | 18,0   | 20,0 | -    | 30,0 | -    | 28,0 | 0,06            | PHP 40-3M-15RSB |                 |                 |
| 42,02 |            | 44             | 1F              | 41,26       | 48,0              | 6     | 20,0   | 20,0 | -    | 30,0 | -    | 33,0 | 0,07            | PHP 44-3M-15RSB |                 |                 |
| 45,84 |            | 48             | 1               | 45,08       | -                 | 8     | 20,0   | 20,0 | -    | 30,0 | -    | 33,0 | 0,07            | PHP 48-3M-15RSB |                 |                 |
| 57,30 |            | 60             | 1               | 56,54       | -                 | 8     | 20,0   | 20,0 | -    | 30,0 | -    | 33,0 | 0,11            | PHP 60-3M-15RSB |                 |                 |
| 68,75 |            | 72             | 1               | 67,99       | -                 | 8     | 20,0   | 20,0 | -    | 30,0 | -    | 33,0 | 0,14            | PHP 72-3M-15RSB |                 |                 |
| 5     |            | 09             | 19,10           | 12          | 1F                | 17,96 | 25,0   | 4    | 8,0  | 14,5 | -    | 20,0 | -               | 13,0            | 0,03            | PHP 12-5M-09RSB |
|       |            |                | 22,28           | 14          | 1F                | 21,14 | 25,0   | 6    | 9,0  | 14,5 | -    | 20,0 | -               | 13,0            | 0,03            | PHP 14-5M-09RSB |
|       |            |                | 23,87           | 15          | 1F                | 22,73 | 28,0   | 6    | 11,0 | 14,5 | -    | 20,0 | -               | 16,0            | 0,04            | PHP 15-5M-09RSB |
|       |            |                | 25,46           | 16          | 1F                | 24,32 | 28,0   | 6    | 11,0 | 14,5 | -    | 20,0 | -               | 16,0            | 0,05            | PHP 16-5M-09RSB |
|       | 28,65      |                | 18              | 1F          | 27,51             | 32,0  | 6      | 13,0 | 14,5 | -    | 20,0 | -    | 19,0            | 0,07            | PHP 18-5M-09RSB |                 |
|       | 31,83      |                | 20              | 1F          | 30,69             | 36,0  | 6      | 14,0 | 14,5 | -    | 22,5 | -    | 23,0            | 0,09            | PHP 20-5M-09RSB |                 |
|       | 33,42      |                | 21              | 1F          | 32,28             | 38,0  | 6      | 15,0 | 14,5 | -    | 22,5 | -    | 24,0            | 0,11            | PHP 21-5M-09RSB |                 |
|       | 35,01      |                | 22              | 1F          | 33,87             | 38,0  | 6      | 16,0 | 14,5 | -    | 22,5 | -    | 25,5            | 0,12            | PHP 22-5M-09RSB |                 |
|       | 38,20      |                | 24              | 1F          | 37,06             | 42,0  | 6      | 18,0 | 14,5 | -    | 22,5 | -    | 27,0            | 0,15            | PHP 24-5M-09RSB |                 |
|       | 41,38      |                | 26              | 1F          | 40,24             | 44,0  | 6      | 20,0 | 14,5 | -    | 22,5 | -    | 30,0            | 0,17            | PHP 26-5M-09RSB |                 |
|       | 44,56      |                | 28              | 1F          | 43,42             | 48,0  | 6      | 20,0 | 14,5 | -    | 22,5 | -    | 30,5            | 0,20            | PHP 28-5M-09RSB |                 |
|       | 47,75      |                | 30              | 1F          | 46,60             | 51,0  | 6      | 24,0 | 14,5 | -    | 22,5 | -    | 35,0            | 0,24            | PHP 30-5M-09RSB |                 |
| 50,93 | 32         | 1F             | 49,79           | 54,0        | 8                 | 26,0  | 14,5   | -    | 22,5 | -    | 38,0 | 0,27 | PHP 32-5M-09RSB |                 |                 |                 |
| 57,30 | 36         | 1F             | 56,16           | 60,0        | 8                 | 26,0  | 14,5   | -    | 22,5 | -    | 38,0 | 0,32 | PHP 36-5M-09RSB |                 |                 |                 |

# HiTD pulleys

5 mm pitch pilot bore (RSB) | 8 mm pitch pilot bore (RSB)



| Pitch | Belt width | Pitch diameter | Number of teeth | Pulley type | Dimensions        |        |        |      |      |      |      |      |      | Mass | Designation     |                 |
|-------|------------|----------------|-----------------|-------------|-------------------|--------|--------|------|------|------|------|------|------|------|-----------------|-----------------|
|       |            |                |                 |             | Outer diameter OD | A      | B Min. | Max. | F    | K    | L    | M    | H    |      |                 |                 |
| mm    |            | PD             | -               | -           | mm                |        |        |      |      |      |      |      |      | kg   | -               |                 |
| 5     | 09         | 63,66          | 40              | 1F          | 62,52             | 71,0   | 8      | 26,0 | 14,5 | -    | 22,5 | -    | 38,0 | 0,40 | PHP 40-5M-09RSB |                 |
|       |            | 70,03          | 44              | 2           | 68,89             | -      | 8      | 26,0 | 14,5 | -    | 25,5 | -    | 38,0 | 0,17 | PHP 44-5M-09RSB |                 |
|       |            | 76,39          | 48              | 2           | 75,25             | -      | 8      | 26,0 | 14,5 | -    | 25,5 | -    | 38,0 | 0,18 | PHP 48-5M-09RSB |                 |
|       |            | 95,49          | 60              | 2           | 94,35             | -      | 8      | 30,0 | 14,5 | -    | 25,5 | -    | 45,0 | 0,23 | PHP 60-5M-09RSB |                 |
|       |            | 114,59         | 72              | 2           | 113,45            | -      | 8      | 30,0 | 14,5 | -    | 25,5 | -    | 45,0 | 0,27 | PHP 72-5M-09RSB |                 |
|       |            | 15             | 19,10           | 12          | 1F                | 17,96  | 25,0   | 4    | 8,0  | 20,5 | -    | 26,0 | -    | 13,0 | 0,03            | PHP 12-5M-15RSB |
|       | 22,28      |                | 14              | 1F          | 21,14             | 25,0   | 6      | 9,0  | 20,5 | -    | 26,0 | -    | 13,0 | 0,05 | PHP 14-5M-15RSB |                 |
|       | 23,87      |                | 15              | 1F          | 22,73             | 28,0   | 6      | 11,0 | 20,5 | -    | 26,0 | -    | 16,0 | 0,06 | PHP 15-5M-15RSB |                 |
|       | 25,46      |                | 16              | 1F          | 24,32             | 28,0   | 6      | 11,0 | 20,5 | -    | 26,0 | -    | 16,0 | 0,06 | PHP 16-5M-15RSB |                 |
|       | 28,65      |                | 18              | 1F          | 27,51             | 32,0   | 6      | 13,0 | 20,5 | -    | 26,0 | -    | 19,0 | 0,09 | PHP 18-5M-15RSB |                 |
|       | 31,83      |                | 20              | 1F          | 30,69             | 36,0   | 6      | 14,0 | 20,5 | -    | 26,0 | -    | 23,0 | 0,11 | PHP 20-5M-15RSB |                 |
|       | 5          | 15             | 33,42           | 21          | 1F                | 32,28  | 38,0   | 6    | 15,0 | 20,5 | -    | 26,0 | -    | 24,0 | 0,13            | PHP 21-5M-15RSB |
| 35,01 |            |                | 22              | 1F          | 33,87             | 38,0   | 6      | 16,0 | 20,5 | -    | 26,0 | -    | 25,5 | 0,14 | PHP 22-5M-15RSB |                 |
| 38,20 |            |                | 24              | 1F          | 37,06             | 42,0   | 6      | 18,0 | 20,5 | -    | 28,0 | -    | 27,0 | 0,18 | PHP 24-5M-15RSB |                 |
| 41,38 |            |                | 26              | 1F          | 40,24             | 44,0   | 6      | 20,0 | 20,5 | -    | 28,0 | -    | 30,0 | 0,22 | PHP 26-5M-15RSB |                 |
| 44,56 |            |                | 28              | 1F          | 43,42             | 48,0   | 6      | 20,0 | 20,5 | -    | 28,0 | -    | 30,5 | 0,25 | PHP 28-5M-15RSB |                 |
| 47,75 |            |                | 30              | 1F          | 46,60             | 51,0   | 6      | 24,0 | 20,5 | -    | 28,0 | -    | 35,0 | 0,30 | PHP 30-5M-15RSB |                 |
| 25    |            | 50,93          | 32              | 1F          | 49,79             | 54,0   | 8      | 26,0 | 20,5 | -    | 28,0 | -    | 38,0 | 0,35 | PHP 32-5M-15RSB |                 |
|       |            | 57,30          | 36              | 1F          | 56,16             | 60,0   | 8      | 26,0 | 20,5 | -    | 28,0 | -    | 38,0 | 0,52 | PHP 36-5M-15RSB |                 |
|       |            | 63,66          | 40              | 1F          | 62,52             | 71,0   | 8      | 26,0 | 20,5 | -    | 28,0 | -    | 38,0 | 0,43 | PHP 40-5M-15RSB |                 |
|       |            | 70,03          | 44              | 2           | 68,89             | -      | 8      | 26,0 | 20,5 | -    | 30,0 | -    | 38,0 | 0,23 | PHP 44-5M-15RSB |                 |
|       |            | 76,39          | 48              | 2           | 75,25             | -      | 8      | 26,0 | 20,5 | -    | 30,0 | -    | 38,0 | 0,19 | PHP 48-5M-15RSB |                 |
|       |            | 95,49          | 60              | 2           | 94,35             | -      | 8      | 34,0 | 20,5 | -    | 30,0 | -    | 50,0 | 0,31 | PHP 60-5M-15RSB |                 |
| 5     | 25         | 114,59         | 72              | 2           | 113,45            | -      | 8      | 34,0 | 20,5 | -    | 30,0 | -    | 50,0 | 0,38 | PHP 72-5M-15RSB |                 |
|       |            | 19,10          | 12              | 1F          | 17,96             | 25,0   | 4      | 8,0  | 30,5 | -    | 36,0 | 5,5  | 13,0 | 0,05 | PHP 12-5M-25RSB |                 |
|       |            | 22,28          | 14              | 1F          | 21,14             | 25,0   | 6      | 9,0  | 30,5 | -    | 36,0 | 5,5  | 13,0 | 0,07 | PHP 14-5M-25RSB |                 |
|       |            | 23,87          | 15              | 1F          | 22,73             | 28,0   | 6      | 11,0 | 30,5 | -    | 36,0 | 5,5  | 16,0 | 0,08 | PHP 15-5M-25RSB |                 |
|       |            | 25,46          | 16              | 1F          | 24,32             | 28,0   | 6      | 11,0 | 30,5 | -    | 36,0 | 5,5  | 16,0 | 0,10 | PHP 16-5M-25RSB |                 |
|       |            | 28,65          | 18              | 1F          | 27,51             | 32,0   | 6      | 13,0 | 30,5 | -    | 36,0 | 5,5  | 19,0 | 0,12 | PHP 18-5M-25RSB |                 |
|       | 20         | 31,83          | 20              | 1F          | 30,69             | 36,0   | 6      | 14,0 | 30,5 | -    | 36,0 | 5,5  | 23,0 | 0,16 | PHP 20-5M-25RSB |                 |
|       |            | 33,42          | 21              | 1F          | 32,28             | 38,0   | 6      | 15,0 | 30,5 | -    | 38,0 | 7,5  | 24,0 | 0,19 | PHP 21-5M-25RSB |                 |
|       |            | 35,01          | 22              | 1F          | 33,87             | 38,0   | 6      | 16,0 | 30,5 | -    | 38,0 | 7,5  | 25,5 | 0,21 | PHP 22-5M-25RSB |                 |
|       |            | 38,20          | 24              | 1F          | 37,06             | 42,0   | 6      | 18,0 | 30,5 | -    | 38,0 | 7,5  | 27,0 | 0,25 | PHP 24-5M-25RSB |                 |
|       |            | 41,38          | 26              | 1F          | 40,24             | 44,0   | 6      | 20,0 | 30,5 | -    | 38,0 | 7,5  | 30,0 | 0,30 | PHP 26-5M-25RSB |                 |
|       |            | 44,56          | 28              | 1F          | 43,42             | 48,0   | 6      | 20,0 | 30,5 | -    | 38,0 | 7,5  | 30,5 | 0,35 | PHP 28-5M-25RSB |                 |
| 5     | 20         | 47,75          | 30              | 1F          | 46,60             | 51,0   | 6      | 24,0 | 30,5 | -    | 38,0 | 7,5  | 35,0 | 0,42 | PHP 30-5M-25RSB |                 |
|       |            | 50,93          | 32              | 1F          | 49,79             | 54,0   | 8      | 26,0 | 30,5 | -    | 38,0 | 7,5  | 38,0 | 0,48 | PHP 32-5M-25RSB |                 |
|       |            | 57,30          | 36              | 1F          | 56,16             | 60,0   | 8      | 26,0 | 30,5 | -    | 38,0 | 7,5  | 38,0 | 0,59 | PHP 36-5M-25RSB |                 |
|       |            | 63,66          | 40              | 1F          | 62,52             | 71,0   | 8      | 26,0 | 30,5 | -    | 38,0 | 7,5  | 38,0 | 0,74 | PHP 40-5M-25RSB |                 |
|       |            | 70,03          | 44              | 2           | 68,89             | -      | 8      | 26,0 | 30,5 | -    | 40,0 | 9,5  | 38,0 | 0,32 | PHP 44-5M-25RSB |                 |
|       |            | 76,39          | 48              | 2           | 72,25             | -      | 8      | 26,0 | 30,5 | -    | 40,0 | 9,5  | 38,0 | 0,28 | PHP 48-5M-25RSB |                 |
|       | 8          | 20             | 95,49           | 60          | 2                 | 94,35  | -      | 8    | 34,0 | 30,5 | -    | 40,0 | 9,5  | 50,0 | 0,44            | PHP 60-5M-25RSB |
|       |            |                | 114,59          | 72          | 2                 | 113,45 | -      | 8    | 34,0 | 30,5 | -    | 40,0 | 9,5  | 50,0 | 0,53            | PHP 72-5M-25RSB |
|       |            |                | 127,32          | 80          | 1                 | 126,18 | -      | 8    | 62,0 | 30,5 | -    | 40,0 | -    | 92,0 | 0,60            | PHP 80-5M-25RSB |
|       |            |                | 50,93           | 20          | 1F                | 49,56  | 60,0   | 12   | 25,0 | 28,0 | -    | 38,0 | -    | 38,0 | 0,43            | PHP 20-8M-20RSB |
|       |            |                | 53,47           | 21          | 1F                | 52,10  | 62,0   | 12   | 27,0 | 28,0 | -    | 38,0 | -    | 40,0 | 0,49            | PHP 21-8M-20RSB |
|       |            |                | 56,02           | 22          | 1F                | 54,65  | 65,0   | 12   | 29,0 | 28,0 | -    | 38,0 | -    | 43,0 | 0,54            | PHP 22-8M-20RSB |
| 5     | 25         | 58,57          | 23              | 1F          | 57,20             | 65,0   | 12     | 29,0 | 28,0 | -    | 38,0 | -    | 45,0 | 0,60 | PHP 23-8M-20RSB |                 |
|       |            | 61,12          | 24              | 1F          | 59,75             | 70,0   | 12     | 30,0 | 28,0 | -    | 38,0 | -    | 45,0 | 0,65 | PHP 24-8M-20RSB |                 |
|       |            | 63,66          | 25              | 1F          | 62,28             | 71,0   | 12     | 31,0 | 28,0 | -    | 38,0 | -    | 45,0 | 0,73 | PHP 25-8M-20RSB |                 |
|       |            | 66,21          | 26              | 1F          | 64,84             | 75,0   | 12     | 32,0 | 28,0 | -    | 38,0 | -    | 50,0 | 0,80 | PHP 26-8M-20RSB |                 |
|       |            | 68,75          | 27              | 1F          | 67,39             | 75,0   | 12     | 33,0 | 28,0 | -    | 38,0 | -    | 50,0 | 0,84 | PHP 27-8M-20RSB |                 |
|       |            | 71,30          | 28              | 1F          | 70,08             | 80,0   | 15     | 34,0 | 28,0 | -    | 38,0 | -    | 50,0 | 0,87 | PHP 28-8M-20RSB |                 |
|       | 8          | 20             | 73,85           | 29          | 1F                | 72,62  | 85,0   | 15   | 35,0 | 28,0 | -    | 38,0 | -    | 55,0 | 0,95            | PHP 29-8M-20RSB |

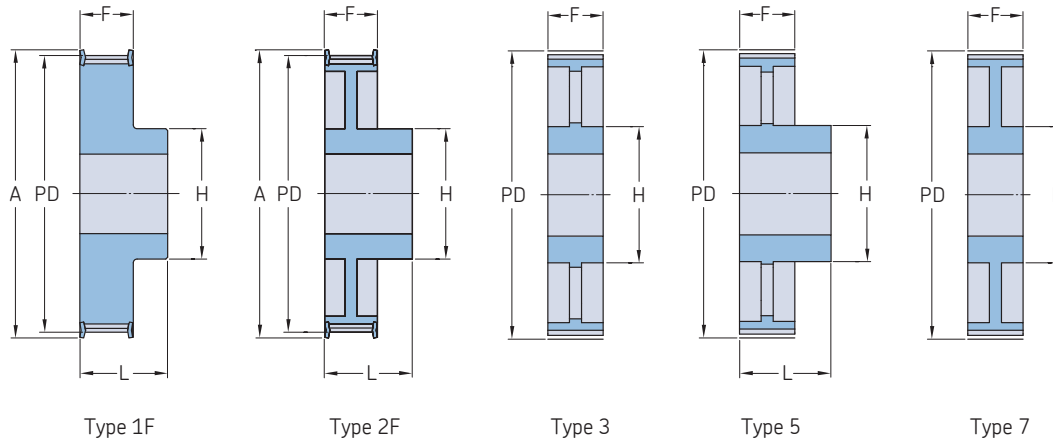
# HiTD pulleys

8 mm pitch pilot bore (RSB)

| Pitch  | Belt width | Pitch diameter | Number of teeth | Pulley type | Dimensions        |       |        |      |      |      |      |   |       | Mass  | Designation      |      |                 |
|--------|------------|----------------|-----------------|-------------|-------------------|-------|--------|------|------|------|------|---|-------|-------|------------------|------|-----------------|
|        |            |                |                 |             | Outer diameter OD | A     | B Min. | Max. | F    | K    | L    | M | H     |       |                  |      |                 |
| mm     |            | PD             | -               | -           | mm                |       |        |      |      |      |      |   | kg    | -     |                  |      |                 |
| 8      | 20         | 76,39          | 30              | 1F          | 75,13             | 85,0  | 15     | 36,0 | 28,0 | -    | 38,0 | - | 55,0  | 1,02  | PHP 30-8M-20RSB  |      |                 |
|        |            | 78,94          | 31              | 1F          | 77,65             | 87,0  | 15     | 38,0 | 28,0 | -    | 38,0 | - | 55,0  | 1,11  | PHP 31-8M-20RSB  |      |                 |
|        |            | 81,49          | 32              | 1F          | 80,16             | 90,0  | 15     | 40,0 | 28,0 | -    | 38,0 | - | 60,0  | 1,20  | PHP 32-8M-20RSB  |      |                 |
|        |            | 84,03          | 33              | 1F          | 82,68             | 90,0  | 15     | 42,0 | 28,0 | -    | 38,0 | - | 60,0  | 1,30  | PHP 33-8M-20RSB  |      |                 |
|        |            | 86,58          | 34              | 1F          | 85,22             | 95,0  | 15     | 44,0 | 28,0 | -    | 38,0 | - | 70,0  | 1,40  | PHP 34-8M-20RSB  |      |                 |
|        |            | 89,13          | 35              | 1F          | 87,76             | 95,0  | 15     | 45,0 | 28,0 | -    | 38,0 | - | 70,0  | 1,48  | PHP 35-8M-20RSB  |      |                 |
|        |            | 91,67          | 36              | 1F          | 90,30             | 100,0 | 15     | 46,0 | 28,0 | -    | 38,0 | - | 70,0  | 1,55  | PHP 36-8M-20RSB  |      |                 |
|        |            | 96,77          | 38              | 1F          | 95,39             | 105,0 | 15     | 50,0 | 28,0 | -    | 38,0 | - | 75,0  | 1,65  | PHP 38-8M-20RSB  |      |                 |
|        |            | 101,86         | 40              | 1F          | 100,49            | 110,0 | 15     | 50,0 | 28,0 | -    | 38,0 | - | 75,0  | 1,74  | PHP 40-8M-20RSB  |      |                 |
|        |            | 106,95         | 42              | 1F          | 105,58            | 111,0 | 15     | 50,0 | 28,0 | -    | 38,0 | - | 75,0  | 1,92  | PHP 42-8M-20RSB  |      |                 |
|        |            | 112,05         | 44              | 1F          | 110,67            | 121,0 | 15     | 50,0 | 28,0 | -    | 38,0 | - | 75,0  | 2,10  | PHP 44-8M-20RSB  |      |                 |
|        |            | 114,59         | 45              | 1F          | 113,22            | 121,0 | 15     | 50,0 | 28,0 | -    | 38,0 | - | 75,0  | 2,19  | PHP 45-8M-20RSB  |      |                 |
|        |            | 122,23         | 48              | 1F          | 120,86            | 131,0 | 15     | 54,0 | 28,0 | -    | 38,0 | - | 75,0  | 2,44  | PHP 48-8M-20RSB  |      |                 |
|        |            | 127,32         | 50              | 1F          | 125,95            | 131,0 | 15     | 54,0 | 28,0 | -    | 38,0 | - | 75,0  | 2,48  | PHP 50-8M-20RSB  |      |                 |
|        |            | 132,42         | 52              | 1F          | 131,05            | 140,0 | 15     | 54,0 | 28,0 | -    | 38,0 | - | 80,0  | 2,52  | PHP 52-8M-20RSB  |      |                 |
|        |            | 142,60         | 56              | 2F          | 141,23            | 151,0 | 15     | 54,0 | 28,0 | -    | 38,0 | - | 80,0  | 2,60  | PHP 56-8M-20RSB  |      |                 |
|        |            | 162,97         | 64              | 2F          | 161,60            | 172,0 | 15     | 54,0 | 28,0 | -    | 38,0 | - | 80,0  | 2,90  | PHP 64-8M-20RSB  |      |                 |
|        |            | 183,35         | 72              | 2F          | 181,97            | 192,0 | 15     | 54,0 | 28,0 | -    | 38,0 | - | 80,0  | 3,10  | PHP 72-8M-20RSB  |      |                 |
|        |            | 203,72         | 80              | 2           | 202,35            | -     | 15     | 54,0 | 28,0 | -    | 38,0 | - | 90,0  | 3,80  | PHP 80-8M-20RSB  |      |                 |
|        |            | 229,18         | 90              | 2           | 227,81            | -     | 15     | 54,0 | 28,0 | -    | 38,0 | - | 90,0  | 4,20  | PHP 90-8M-20RSB  |      |                 |
|        |            | 285,21         | 112             | 5           | 283,83            | -     | 18     | 54,0 | 28,0 | -    | 38,0 | - | 90,0  | 5,20  | PHP 112-8M-20RSB |      |                 |
|        |            | 366,69         | 144             | 5           | 365,32            | -     | 20     | 54,0 | 28,0 | -    | 38,0 | - | 90,0  | 7,50  | PHP 144-8M-20RSB |      |                 |
|        |            | 427,81         | 168             | 5           | 426,44            | -     | 20     | 60,0 | 28,0 | -    | 38,0 | - | 100,0 | 10,00 | PHP 168-8M-20RSB |      |                 |
|        |            | 488,92         | 192             | 5           | 487,55            | -     | 20     | 60,0 | 28,0 | -    | 38,0 | - | 100,0 | 14,40 | PHP 192-8M-20RSB |      |                 |
|        |            | 8              | 30              | 50,93       | 20                | 1F    | 49,56  | 60,0 | 12   | 25,0 | 38,0 | - | 48,0  | -     | 38,0             | 0,54 | PHP 20-8M-30RSB |
|        |            |                |                 | 53,47       | 21                | 1F    | 52,10  | 62,0 | 12   | 27,0 | 38,0 | - | 48,0  | -     | 40,0             | 0,62 | PHP 21-8M-30RSB |
|        |            |                |                 | 56,02       | 22                | 1F    | 54,65  | 65,0 | 12   | 29,0 | 38,0 | - | 48,0  | -     | 43,0             | 0,69 | PHP 22-8M-30RSB |
|        |            |                |                 | 57,57       | 23                | 1F    | 57,20  | 65,0 | 12   | 30,0 | 38,0 | - | 48,0  | -     | 45,0             | 0,77 | PHP 23-8M-30RSB |
|        |            |                |                 | 61,12       | 24                | 1F    | 59,75  | 70,0 | 12   | 30,0 | 38,0 | - | 48,0  | -     | 45,0             | 0,84 | PHP 24-8M-30RSB |
|        |            |                |                 | 63,66       | 25                | 1F    | 62,28  | 71,0 | 12   | 31,0 | 38,0 | - | 48,0  | -     | 50,0             | 0,92 | PHP 25-8M-30RSB |
|        |            |                |                 | 66,21       | 26                | 1F    | 64,84  | 75,0 | 12   | 32,0 | 38,0 | - | 48,0  | -     | 50,0             | 1,00 | PHP 26-8M-30RSB |
|        |            |                |                 | 68,75       | 27                | 1F    | 67,39  | 75,0 | 12   | 33,0 | 38,0 | - | 48,0  | -     | 50,0             | 1,06 | PHP 27-8M-30RSB |
|        |            |                |                 | 71,30       | 28                | 1F    | 70,08  | 80,0 | 15   | 34,0 | 38,0 | - | 48,0  | -     | 50,0             | 1,12 | PHP 28-8M-30RSB |
|        |            |                |                 | 76,39       | 30                | 1F    | 75,13  | 85,0 | 15   | 36,0 | 38,0 | - | 48,0  | -     | 55,0             | 1,32 | PHP 30-8M-30RSB |
|        |            |                |                 | 78,94       | 31                | 1F    | 77,65  | 87,0 | 15   | 38,0 | 38,0 | - | 48,0  | -     | 55,0             | 1,42 | PHP 31-8M-30RSB |
|        |            |                |                 | 81,49       | 32                | 1F    | 80,16  | 90,0 | 15   | 40,0 | 38,0 | - | 48,0  | -     | 60,0             | 1,53 | PHP 32-8M-30RSB |
|        |            |                |                 | 84,03       | 33                | 1F    | 82,68  | 90,0 | 15   | 42,0 | 38,0 | - | 48,0  | -     | 60,0             | 1,64 | PHP 33-8M-30RSB |
|        |            |                |                 | 86,58       | 34                | 1F    | 85,22  | 95,0 | 15   | 44,0 | 38,0 | - | 48,0  | -     | 70,0             | 1,80 | PHP 34-8M-30RSB |
| 89,13  | 35         |                |                 | 1F          | 87,76             | 95,0  | 15     | 45,0 | 38,0 | -    | 48,0 | - | 70,0  | 1,90  | PHP 35-8M-30RSB  |      |                 |
| 91,67  | 36         |                |                 | 1F          | 90,30             | 100,0 | 15     | 46,0 | 38,0 | -    | 48,0 | - | 70,0  | 1,99  | PHP 36-8M-30RSB  |      |                 |
| 96,77  | 38         |                |                 | 1F          | 95,39             | 105,0 | 15     | 50,0 | 38,0 | -    | 48,0 | - | 75,0  | 2,27  | PHP 38-8M-30RSB  |      |                 |
| 101,86 | 40         |                |                 | 1F          | 100,49            | 110,0 | 15     | 50,0 | 38,0 | -    | 48,0 | - | 75,0  | 2,40  | PHP 40-8M-30RSB  |      |                 |
| 106,95 | 42         |                |                 | 1F          | 105,58            | 111,0 | 15     | 50,0 | 38,0 | -    | 48,0 | - | 75,0  | 2,60  | PHP 42-8M-30RSB  |      |                 |
| 112,05 | 44         |                |                 | 1F          | 110,67            | 121,0 | 15     | 50,0 | 38,0 | -    | 48,0 | - | 75,0  | 2,80  | PHP 44-8M-30RSB  |      |                 |
| 114,59 | 45         |                |                 | 1F          | 113,22            | 121,0 | 15     | 50,0 | 38,0 | -    | 48,0 | - | 75,0  | 2,90  | PHP 45-8M-30RSB  |      |                 |
| 122,23 | 48         |                |                 | 1F          | 120,86            | 131,0 | 15     | 50,0 | 38,0 | -    | 48,0 | - | 75,0  | 3,20  | PHP 48-8M-30RSB  |      |                 |
| 127,32 | 50         |                |                 | 1F          | 125,95            | 131,0 | 15     | 50,0 | 38,0 | -    | 48,0 | - | 75,0  | 3,30  | PHP 50-8M-30RSB  |      |                 |
| 132,42 | 52         |                |                 | 1F          | 131,05            | 140,0 | 15     | 60,0 | 38,0 | -    | 48,0 | - | 90,0  | 3,40  | PHP 52-8M-30RSB  |      |                 |
| 142,60 | 56         |                |                 | 2F          | 141,23            | 151,0 | 15     | 60,0 | 38,0 | -    | 48,0 | - | 90,0  | 3,60  | PHP 56-8M-30RSB  |      |                 |
| 152,79 | 60         |                |                 | 2F          | 151,42            | 168,0 | 15     | 60,0 | 38,0 | -    | 48,0 | - | 90,0  | 3,95  | PHP 60-8M-30RSB  |      |                 |
| 162,97 | 64         |                |                 | 2F          | 161,60            | 172,0 | 15     | 60,0 | 38,0 | -    | 48,0 | - | 90,0  | 4,30  | PHP 64-8M-30RSB  |      |                 |
| 183,35 | 72         |                |                 | 2F          | 181,97            | 192,0 | 15     | 63,0 | 38,0 | -    | 48,0 | - | 95,0  | 4,80  | PHP 72-8M-30RSB  |      |                 |
| 203,72 | 80         |                |                 | 2           | 202,35            | -     | 15     | 60,0 | 38,0 | -    | 48,0 | - | 100,0 | 5,10  | PHP 80-8M-30RSB  |      |                 |
| 229,18 | 90         |                |                 | 2           | 227,81            | -     | 15     | 60,0 | 38,0 | -    | 48,0 | - | 100,0 | 5,70  | PHP 90-8M-30RSB  |      |                 |
| 285,21 | 112        |                |                 | 5           | 283,83            | -     | 18     | 60,0 | 38,0 | -    | 48,0 | - | 100,0 | 6,80  | PHP 112-8M-30RSB |      |                 |
| 366,69 | 144        |                |                 | 5           | 365,32            | -     | 20     | 60,0 | 38,0 | -    | 48,0 | - | 100,0 | 9,30  | PHP 144-8M-30RSB |      |                 |
| 427,81 | 168        |                |                 | 5           | 426,44            | -     | 20     | 60,0 | 38,0 | -    | 48,0 | - | 100,0 | 11,40 | PHP 168-8M-30RSB |      |                 |
| 488,92 | 192        |                |                 | 5           | 487,55            | -     | 20     | 60,0 | 38,0 | -    | 48,0 | - | 100,0 | 16,00 | PHP 192-8M-30RSB |      |                 |
| 8      | 50         |                |                 | 56,02       | 22                | 1F    | 54,65  | 65,0 | 12   | 29,0 | 60,0 | - | 70,0  | -     | 43,0             | 1,00 | PHP 22-8M-50RSB |
|        |            |                |                 | 58,57       | 23                | 1F    | 57,20  | 65,0 | 12   | 30,0 | 60,0 | - | 70,0  | -     | 45,0             | 1,12 | PHP 23-8M-50RSB |
|        |            |                |                 | 61,12       | 24                | 1F    | 59,75  | 70,0 | 12   | 30,0 | 60,0 | - | 70,0  | -     | 45,0             | 1,23 | PHP 24-8M-50RSB |
|        |            |                |                 | 63,66       | 25                | 1F    | 62,28  | 70,0 | 12   | 34,0 | 60,0 | - | 70,0  | -     | 50,0             | 1,37 | PHP 25-8M-50RSB |
|        |            | 66,21          | 26              | 1F          | 64,84             | 75,0  | 12     | 34,0 | 60,0 | -    | 70,0 | - | 50,0  | 1,50  | PHP 26-8M-50RSB  |      |                 |
|        |            | 68,75          | 27              | 1F          | 67,39             | 75,0  | 15     | 34,0 | 60,0 | -    | 70,0 | - | 50,0  | 1,59  | PHP 27-8M-50RSB  |      |                 |
|        |            | 71,30          | 28              | 1F          | 70,08             | 80,0  | 15     | 34,0 | 60,0 | -    | 70,0 | - | 50,0  | 1,67  | PHP 28-8M-50RSB  |      |                 |
|        |            | 76,39          | 30              | 1F          | 75,13             | 85,0  | 15     | 38,0 | 60,0 | -    | 70,0 | - | 55,0  | 1,97  | PHP 30-8M-50RSB  |      |                 |
|        |            | 78,94          | 31              | 1F          | 77,65             | 87,0  | 15     | 38,0 | 60,0 | -    | 70,0 | - | 55,0  | 2,12  | PHP 31-8M-50RSB  |      |                 |
|        |            | 81,49          | 32              | 1F          | 80,16             | 90,0  | 15     | 40,0 | 60,0 | -    | 70,0 | - | 60,0  | 2,27  | PHP 32-8M-50RSB  |      |                 |
|        |            | 84,03          | 33              | 1F          | 82,68             | 90,0  | 15     | 42,0 | 60,0 | -    | 70,0 | - | 60,0  | 2,42  | PHP 33-8M-50RSB  |      |                 |
|        |            | 86,58          | 34              | 1F          | 85,22             | 95,0  | 15     | 44,0 | 60,0 | -    | 70,0 | - | 70,0  | 2,69  | PHP 34-8M-50RSB  |      |                 |
|        |            | 89,13          | 35              | 1F          | 87,76             | 95,0  | 15     | 45,0 | 60,0 | -    | 70,0 | - | 70,0  | 2,83  | PHP 35-8M-50RSB  |      |                 |
|        |            | 91,67          | 36              | 1F          | 90,30             | 100,0 | 15     | 46,0 | 60,0 | -    | 70,0 | - | 70,0  | 2,97  | PHP 36-8M-50RSB  |      |                 |
|        |            | 96,77          | 38              | 1F          | 95,39             | 105,0 | 15     | 50,0 | 60,0 | -    | 70,0 | - | 75,0  | 3,23  | PHP 38-8M-50RSB  |      |                 |

# HiTD pulleys

8 mm pitch pilot bore (RSB) | 14 mm pitch pilot bore (RSB)

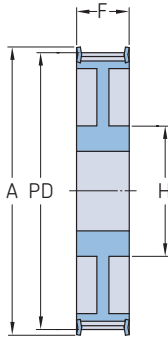


| Pitch  | Belt width | Pitch diameter<br>PD | Number of teeth | Pulley type | Dimensions           |       |           |      |      |       |       |       |                  | Mass             | Designation      |                 |
|--------|------------|----------------------|-----------------|-------------|----------------------|-------|-----------|------|------|-------|-------|-------|------------------|------------------|------------------|-----------------|
|        |            |                      |                 |             | Outer diameter<br>OD | A     | B<br>Min. | Max. | F    | K     | L     | M     | H                |                  |                  |                 |
| mm     |            |                      | -               | -           | mm                   |       |           |      |      |       |       |       |                  | kg               | -                |                 |
| 8      | 50         | 101,86               | 40              | 1F          | 100,49               | 110,0 | 18        | 50,0 | 60,0 | -     | 70,0  | -     | 75,0             | 3,50             | PHP 40-8M-50RSB  |                 |
|        |            | 104,41               | 42              | 1F          | 103,03               | 111,0 | 18        | 50,0 | 60,0 | -     | 70,0  | -     | 75,0             | 3,70             | PHP 42-8M-50RSB  |                 |
|        |            | 112,05               | 44              | 1F          | 110,67               | 121,0 | 18        | 50,0 | 60,0 | -     | 70,0  | -     | 75,0             | 3,90             | PHP 44-8M-50RSB  |                 |
|        |            | 114,59               | 45              | 1F          | 113,22               | 121,0 | 18        | 50,0 | 60,0 | -     | 70,0  | -     | 75,0             | 4,00             | PHP 45-8M-50RSB  |                 |
|        |            | 122,23               | 48              | 1F          | 120,86               | 131,0 | 18        | 54,0 | 60,0 | -     | 70,0  | -     | 80,0             | 4,30             | PHP 48-8M-50RSB  |                 |
|        |            | 124,78               | 50              | 1F          | 123,41               | 131,0 | 18        | 54,0 | 60,0 | -     | 70,0  | -     | 80,0             | 4,48             | PHP 50-8M-50RSB  |                 |
|        |            | 127,32               | 52              | 1F          | 125,95               | 140,0 | 18        | 60,0 | 60,0 | -     | 70,0  | -     | 90,0             | 4,65             | PHP 52-8M-50RSB  |                 |
|        |            | 142,60               | 56              | 7F          | 141,23               | 151,0 | 18        | 60,0 | 60,0 | -     | 60,0  | -     | 90,0             | 5,00             | PHP 56-8M-50RSB  |                 |
|        |            | 152,79               | 60              | 7F          | 151,42               | 158,0 | 18        | 60,0 | 60,0 | -     | 60,0  | -     | 90,0             | 5,30             | PHP 60-8M-50RSB  |                 |
|        |            | 162,97               | 64              | 7F          | 161,60               | 171,0 | 18        | 60,0 | 60,0 | -     | 60,0  | -     | 100,0            | 5,60             | PHP 64-8M-50RSB  |                 |
|        |            | 183,35               | 72              | 7F          | 181,97               | 192,0 | 18        | 63,0 | 60,0 | -     | 60,0  | -     | 100,0            | 6,80             | PHP 72-8M-50RSB  |                 |
|        |            | 203,72               | 80              | 7           | 202,35               | -     | 18        | 60,0 | 60,0 | -     | 60,0  | -     | 110,0            | 6,90             | PHP 80-8M-50RSB  |                 |
|        | 229,18     | 90                   | 7               | 227,81      | -                    | 18    | 60,0      | 60,0 | -    | 60,0  | -     | 110,0 | 8,60             | PHP 90-8M-50RSB  |                  |                 |
|        | 285,21     | 112                  | 3               | 283,83      | -                    | 20    | 60,0      | 60,0 | -    | 60,0  | -     | 110,0 | 9,60             | PHP 112-8M-50RSB |                  |                 |
|        | 366,69     | 144                  | 3               | 365,32      | -                    | 20    | 60,0      | 60,0 | -    | 60,0  | -     | 110,0 | 13,80            | PHP 144-8M-50RSB |                  |                 |
|        | 427,81     | 168                  | 3               | 426,44      | -                    | 20    | 60,0      | 60,0 | -    | 60,0  | -     | 120,0 | 16,00            | PHP 168-8M-50RSB |                  |                 |
|        | 488,92     | 192                  | 3               | 487,55      | -                    | 20    | 60,0      | 60,0 | -    | 60,0  | -     | 130,0 | 22,40            | PHP 192-8M-50RSB |                  |                 |
|        | 8          | 85                   | 56,02           | 22          | 1F                   | 54,65 | 65,0      | 12   | 29,0 | 95,0  | -     | 105,0 | -                | 43,0             | 1,55             | PHP 22-8M-85RSB |
|        |            |                      | 58,57           | 23          | 1F                   | 57,20 | 65,0      | 12   | 30,0 | 95,0  | -     | 105,0 | -                | 45,0             | 1,73             | PHP 23-8M-85RSB |
|        |            |                      | 61,12           | 24          | 1F                   | 59,75 | 70,0      | 12   | 30,0 | 95,0  | -     | 105,0 | -                | 45,0             | 1,90             | PHP 24-8M-85RSB |
|        |            |                      | 63,66           | 25          | 1F                   | 62,28 | 70,0      | 12   | 34,0 | 95,0  | -     | 105,0 | -                | 50,0             | 2,08             | PHP 25-8M-85RSB |
|        |            |                      | 66,21           | 26          | 1F                   | 64,84 | 75,0      | 12   | 34,0 | 95,0  | -     | 105,0 | -                | 50,0             | 2,25             | PHP 26-8M-85RSB |
|        |            |                      | 68,75           | 27          | 1F                   | 67,39 | 75,0      | 12   | 34,0 | 95,0  | -     | 105,0 | -                | 50,0             | 2,40             | PHP 27-8M-85RSB |
|        |            |                      | 71,30           | 28          | 1F                   | 70,08 | 80,0      | 15   | 34,0 | 95,0  | -     | 105,0 | -                | 50,0             | 2,55             | PHP 28-8M-85RSB |
| 76,39  |            |                      | 30              | 1F          | 75,13                | 85,0  | 15        | 35,0 | 95,0 | -     | 105,0 | -     | 55,0             | 3,00             | PHP 30-8M-85RSB  |                 |
| 78,94  |            |                      | 31              | 1F          | 77,65                | 87,0  | 15        | 38,0 | 95,0 | -     | 105,0 | -     | 55,0             | 3,23             | PHP 31-8M-85RSB  |                 |
| 81,49  |            |                      | 32              | 1F          | 80,16                | 90,0  | 15        | 42,0 | 95,0 | -     | 105,0 | -     | 60,0             | 3,57             | PHP 32-8M-85RSB  |                 |
| 84,03  |            |                      | 33              | 1F          | 82,68                | 90,0  | 15        | 44,0 | 95,0 | -     | 105,0 | -     | 60,0             | 3,75             | PHP 33-8M-85RSB  |                 |
| 86,58  |            |                      | 34              | 1F          | 85,22                | 95,0  | 15        | 44,0 | 95,0 | -     | 105,0 | -     | 70,0             | 4,00             | PHP 34-8M-85RSB  |                 |
| 89,13  |            | 35                   | 1F              | 87,76       | 95,0                 | 15    | 44,0      | 95,0 | -    | 105,0 | -     | 70,0  | 4,25             | PHP 35-8M-85RSB  |                  |                 |
| 91,67  |            | 36                   | 1F              | 90,30       | 100,0                | 15    | 44,0      | 95,0 | -    | 105,0 | -     | 70,0  | 4,50             | PHP 36-8M-85RSB  |                  |                 |
| 96,77  |            | 38                   | 1F              | 95,39       | 106,0                | 15    | 50,0      | 95,0 | -    | 105,0 | -     | 75,0  | 4,90             | PHP 38-8M-85RSB  |                  |                 |
| 101,86 |            | 40                   | 1F              | 100,49      | 110,0                | 18    | 50,0      | 95,0 | -    | 105,0 | -     | 75,0  | 5,20             | PHP 40-8M-85RSB  |                  |                 |
| 106,95 |            | 42                   | 1F              | 105,58      | 110,0                | 18    | 50,0      | 95,0 | -    | 105,0 | -     | 75,0  | 6,08             | PHP 42-8M-85RSB  |                  |                 |
| 112,05 |            | 44                   | 1F              | 110,67      | 121,0                | 18    | 50,0      | 95,0 | -    | 105,0 | -     | 75,0  | 6,60             | PHP 44-8M-85RSB  |                  |                 |
| 114,59 |            | 45                   | 1F              | 113,22      | 121,0                | 18    | 50,0      | 95,0 | -    | 105,0 | -     | 75,0  | 6,85             | PHP 45-8M-85RSB  |                  |                 |
| 122,23 |            | 48                   | 1F              | 120,86      | 131,0                | 18    | 54,0      | 95,0 | -    | 105,0 | -     | 80,0  | 7,60             | PHP 48-8M-85RSB  |                  |                 |
| 127,32 |            | 50                   | 1F              | 125,95      | 131,0                | 20    | 54,0      | 95,0 | -    | 105,0 | -     | 80,0  | 8,15             | PHP 50-8M-85RSB  |                  |                 |
| 132,42 |            | 52                   | 1F              | 131,05      | 140,0                | 20    | 54,0      | 95,0 | -    | 105,0 | -     | 80,0  | 8,70             | PHP 52-8M-85RSB  |                  |                 |
| 142,60 |            | 56                   | 1F              | 141,23      | 151,0                | 20    | 54,0      | 95,0 | -    | 105,0 | -     | 80,0  | 9,80             | PHP 56-8M-85RSB  |                  |                 |
| 152,79 |            | 60                   | 7F              | 151,42      | 158,0                | 20    | 66,0      | 95,0 | -    | 95,0  | -     | 100,0 | 10,10            | PHP 60-8M-85RSB  |                  |                 |
| 162,97 | 64         | 7F                   | 161,60          | 171,0       | 20                   | 66,0  | 95,0      | -    | 95,0 | -     | 100,0 | 10,40 | PHP 64-8M-85RSB  |                  |                  |                 |
| 183,35 | 72         | 7F                   | 181,97          | 192,0       | 20                   | 66,0  | 95,0      | -    | 95,0 | -     | 110,0 | 11,40 | PHP 72-8M-85RSB  |                  |                  |                 |
| 203,72 | 80         | 3                    | 202,35          | -           | 20                   | 66,0  | 95,0      | -    | 95,0 | -     | 110,0 | 11,10 | PHP 80-8M-85RSB  |                  |                  |                 |
| 229,18 | 90         | 3                    | 227,81          | -           | 20                   | 66,0  | 95,0      | -    | 95,0 | -     | 110,0 | 13,20 | PHP 90-8M-85RSB  |                  |                  |                 |
| 285,21 | 112        | 3                    | 283,83          | -           | 24                   | 66,0  | 95,0      | -    | 95,0 | -     | 110,0 | 16,30 | PHP 112-8M-85RSB |                  |                  |                 |
| 366,69 | 144        | 3                    | 365,32          | -           | 24                   | 72,0  | 95,0      | -    | 95,0 | -     | 120,0 | 21,50 | PHP 144-8M-85RSB |                  |                  |                 |
| 427,81 | 168        | 3                    | 426,44          | -           | 24                   | 72,0  | 95,0      | -    | 95,0 | -     | 120,0 | 26,10 | PHP 168-8M-85RSB |                  |                  |                 |
| 488,92 | 192        | 3                    | 487,55          | -           | 24                   | 78,0  | 95,0      | -    | 95,0 | -     | 130,0 | 30,60 | PHP 192-8M-85RSB |                  |                  |                 |
| 14     | 40         | 124,78               | 28              | 1F          | 122,12               | 127,0 | 24        | 67,0 | 54,0 | -     | 69,0  | -     | 100,0            | 4,73             | PHP 28-14M-40RSB |                 |
|        |            | 129,23               | 29              | 1F          | 126,57               | 138,0 | 24        | 67,0 | 54,0 | -     | 69,0  | -     | 100,0            | 5,09             | PHP 29-14M-40RSB |                 |
|        |            | 133,69               | 30              | 1F          | 130,99               | 138,0 | 24        | 67,0 | 54,0 | -     | 69,0  | -     | 100,0            | 5,45             | PHP 30-14M-40RSB |                 |
|        |            | 142,60               | 32              | 1F          | 139,88               | 154,0 | 24        | 67,0 | 54,0 | -     | 69,0  | -     | 100,0            | 6,17             | PHP 32-14M-40RSB |                 |



# HiTD pulleys

14 mm pitch pilot bore (RSB)

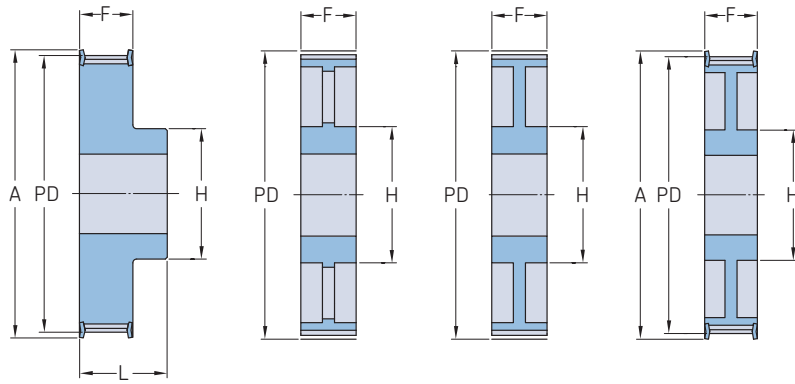


Type 7F

| Pitch  | Belt width | Pitch diameter<br>PD | Number of teeth | Pulley type | Dimensions           |        |           |       |       |       |       |       |       | Mass              | Designation      |                  |
|--------|------------|----------------------|-----------------|-------------|----------------------|--------|-----------|-------|-------|-------|-------|-------|-------|-------------------|------------------|------------------|
|        |            |                      |                 |             | Outer diameter<br>OD | A      | B<br>Min. | Max.  | F     | K     | L     | M     | H     |                   |                  |                  |
| mm     |            |                      | -               | -           | mm                   |        |           |       |       |       |       |       |       | kg                | -                |                  |
| 14     | 40         | 151,52               | 34              | 1F          | 148,79               | 160,0  | 24        | 67,0  | 54,0  | -     | 69,0  | -     | 100,0 | 6,88              | PHP 34-14M-40RSB |                  |
|        |            | 160,43               | 36              | 1F          | 157,68               | 168,0  | 24        | 67,0  | 54,0  | -     | 69,0  | -     | 100,0 | 7,60              | PHP 36-14M-40RSB |                  |
|        |            | 169,34               | 38              | 1F          | 166,60               | 183,0  | 24        | 80,0  | 54,0  | -     | 69,0  | -     | 120,0 | 8,28              | PHP 38-14M-40RSB |                  |
|        |            | 178,25               | 40              | 1F          | 175,49               | 188,0  | 24        | 80,0  | 54,0  | -     | 69,0  | -     | 120,0 | 9,26              | PHP 40-14M-40RSB |                  |
|        |            | 196,08               | 44              | 1F          | 193,28               | 211,0  | 24        | 80,0  | 54,0  | -     | 69,0  | -     | 120,0 | 10,32             | PHP 44-14M-40RSB |                  |
|        |            | 213,90               | 48              | 2F          | 211,11               | 226,0  | 24        | 82,0  | 54,0  | -     | 69,0  | -     | 135,0 | 11,50             | PHP 48-14M-40RSB |                  |
|        |            | 249,55               | 56              | 2F          | 246,76               | 256,0  | 28        | 82,0  | 54,0  | -     | 69,0  | -     | 135,0 | 13,05             | PHP 56-14M-40RSB |                  |
|        |            | 285,21               | 64              | 2F          | 282,41               | 296,0  | 28        | 82,0  | 54,0  | -     | 69,0  | -     | 135,0 | 14,40             | PHP 64-14M-40RSB |                  |
|        |            | 320,86               | 72              | 5           | 318,06               | -      | 28        | 82,0  | 54,0  | -     | 69,0  | -     | 135,0 | 16,90             | PHP 72-14M-40RSB |                  |
|        |            | 356,51               | 80              | 5           | 353,71               | -      | 28        | 82,0  | 54,0  | -     | 69,0  | -     | 135,0 | 18,50             | PHP 80-14M-40RSB |                  |
|        | 401,07     | 90                   | 5               | 398,28      | -                    | 28     | 82,0      | 54,0  | -     | 69,0  | -     | 135,0 | 20,00 | PHP 90-14M-40RSB  |                  |                  |
|        | 499,11     | 112                  | 5               | 496,32      | -                    | 28     | 82,0      | 54,0  | -     | 69,0  | -     | 135,0 | 26,70 | PHP 112-14M-40RSB |                  |                  |
|        | 641,71     | 144                  | 5               | 638,92      | -                    | 28     | 82,0      | 54,0  | -     | 69,0  | -     | 135,0 | 35,00 | PHP 144-14M-40RSB |                  |                  |
|        | 748,66     | 168                  | 5               | 745,87      | -                    | 28     | 82,0      | 54,0  | -     | 69,0  | -     | 135,0 | 44,20 | PHP 168-14M-40RSB |                  |                  |
|        | 855,92     | 192                  | 5               | 852,82      | -                    | 28     | 82,0      | 54,0  | -     | 69,0  | -     | 135,0 | 52,20 | PHP 192-14M-40RSB |                  |                  |
|        | 962,57     | 216                  | 5               | 959,76      | -                    | 28     | 90,0      | 54,0  | -     | 69,0  | -     | 150,0 | 60,00 | PHP 216-14M-40RSB |                  |                  |
|        | 14         | 55                   | 124,78          | 28          | 1F                   | 122,12 | 127,0     | 24    | 67,0  | 70,0  | -     | 85,0  | -     | 100,0             | 5,60             | PHP 28-14M-55RSB |
|        |            |                      | 129,23          | 29          | 1F                   | 126,57 | 138,0     | 24    | 67,0  | 70,0  | -     | 85,0  | -     | 100,0             | 6,10             | PHP 29-14M-55RSB |
|        |            |                      | 133,69          | 30          | 1F                   | 130,99 | 138,0     | 24    | 67,0  | 70,0  | -     | 85,0  | -     | 100,0             | 6,60             | PHP 30-14M-55RSB |
|        |            |                      | 142,60          | 32          | 1F                   | 139,88 | 154,0     | 24    | 67,0  | 70,0  | -     | 85,0  | -     | 100,0             | 7,60             | PHP 32-14M-55RSB |
| 151,52 |            |                      | 34              | 1F          | 148,79               | 160,0  | 24        | 67,0  | 70,0  | -     | 85,0  | -     | 100,0 | 8,60              | PHP 34-14M-55RSB |                  |
| 160,43 |            |                      | 36              | 1F          | 157,68               | 168,0  | 24        | 67,0  | 70,0  | -     | 85,0  | -     | 100,0 | 9,60              | PHP 36-14M-55RSB |                  |
| 169,34 |            |                      | 38              | 1F          | 166,60               | 183,0  | 24        | 80,0  | 70,0  | -     | 85,0  | -     | 120,0 | 10,80             | PHP 38-14M-55RSB |                  |
| 178,25 |            |                      | 40              | 1F          | 175,49               | 188,0  | 24        | 80,0  | 70,0  | -     | 85,0  | -     | 120,0 | 11,20             | PHP 40-14M-55RSB |                  |
| 196,08 |            |                      | 44              | 1F          | 193,28               | 211,0  | 24        | 80,0  | 70,0  | -     | 85,0  | -     | 120,0 | 12,50             | PHP 44-14M-55RSB |                  |
| 213,90 |            |                      | 48              | 7F          | 211,11               | 226,0  | 24        | 82,0  | 70,0  | -     | 70,0  | -     | 120,0 | 13,70             | PHP 48-14M-55RSB |                  |
| 249,55 |            | 56                   | 7F              | 246,76      | 256,0                | 28     | 82,0      | 70,0  | -     | 70,0  | -     | 135,0 | 14,50 | PHP 56-14M-55RSB  |                  |                  |
| 285,21 |            | 64                   | 7F              | 282,41      | 296,0                | 28     | 82,0      | 70,0  | -     | 70,0  | -     | 135,0 | 15,60 | PHP 64-14M-55RSB  |                  |                  |
| 320,86 |            | 72                   | 3               | 318,06      | -                    | 28     | 82,0      | 70,0  | -     | 70,0  | -     | 135,0 | 18,50 | PHP 72-14M-55RSB  |                  |                  |
| 356,51 |            | 80                   | 3               | 353,71      | -                    | 28     | 82,0      | 70,0  | -     | 70,0  | -     | 135,0 | 20,00 | PHP 80-14M-55RSB  |                  |                  |
| 401,07 |            | 90                   | 3               | 398,28      | -                    | 28     | 82,0      | 70,0  | -     | 70,0  | -     | 135,0 | 22,60 | PHP 90-14M-55RSB  |                  |                  |
| 499,11 |            | 112                  | 3               | 496,32      | -                    | 28     | 82,0      | 70,0  | -     | 70,0  | -     | 135,0 | 29,50 | PHP 112-14M-55RSB |                  |                  |
| 641,71 |            | 144                  | 3               | 638,92      | -                    | 28     | 82,0      | 70,0  | -     | 70,0  | -     | 135,0 | 39,00 | PHP 144-14M-55RSB |                  |                  |
| 748,66 |            | 168                  | 3               | 745,87      | -                    | 28     | 82,0      | 70,0  | -     | 70,0  | -     | 135,0 | 48,50 | PHP 168-14M-55RSB |                  |                  |
| 855,92 |            | 192                  | 3               | 852,82      | -                    | 28     | 82,0      | 70,0  | -     | 70,0  | -     | 135,0 | 57,80 | PHP 192-14M-55RSB |                  |                  |
| 962,57 |            | 216                  | 3               | 959,76      | -                    | 28     | 82,0      | 70,0  | -     | 70,0  | -     | 150,0 | 67,00 | PHP 216-14M-55RSB |                  |                  |
| 14     | 85         | 124,78               | 28              | 1F          | 122,12               | 127,0  | 24        | 67,0  | 102,0 | -     | 117,0 | -     | 100,0 | 7,70              | PHP 28-14M-85RSB |                  |
|        |            | 129,23               | 29              | 1F          | 126,57               | 138,0  | 24        | 67,0  | 102,0 | -     | 117,0 | -     | 100,0 | 8,40              | PHP 29-14M-85RSB |                  |
|        |            | 133,69               | 30              | 1F          | 130,99               | 138,0  | 24        | 67,0  | 102,0 | -     | 117,0 | -     | 100,0 | 9,10              | PHP 30-14M-85RSB |                  |
|        |            | 142,60               | 32              | 1F          | 139,88               | 154,0  | 24        | 67,0  | 102,0 | -     | 117,0 | -     | 100,0 | 10,50             | PHP 32-14M-85RSB |                  |
|        |            | 151,52               | 34              | 1F          | 148,79               | 160,0  | 24        | 67,0  | 102,0 | -     | 117,0 | -     | 100,0 | 11,90             | PHP 34-14M-85RSB |                  |
|        |            | 160,43               | 36              | 1F          | 157,68               | 168,0  | 32        | 67,0  | 102,0 | -     | 117,0 | -     | 100,0 | 13,20             | PHP 36-14M-85RSB |                  |
|        |            | 169,34               | 38              | 1F          | 166,60               | 183,0  | 32        | 80,0  | 102,0 | -     | 117,0 | -     | 120,0 | 15,15             | PHP 38-14M-85RSB |                  |
|        |            | 178,25               | 40              | 1F          | 175,49               | 188,0  | 32        | 90,0  | 102,0 | -     | 117,0 | -     | 135,0 | 17,10             | PHP 40-14M-85RSB |                  |
|        |            | 196,08               | 44              | 1F          | 193,28               | 211,0  | 32        | 90,0  | 102,0 | -     | 117,0 | -     | 135,0 | 23,30             | PHP 44-14M-85RSB |                  |
|        |            | 213,90               | 48              | 1F          | 211,11               | 226,0  | 32        | 100,0 | 102,0 | -     | 117,0 | -     | 150,0 | 25,00             | PHP 48-14M-85RSB |                  |
|        | 249,55     | 56                   | 7F              | 246,76      | 256,0                | 32     | 90,0      | 102,0 | -     | 102,0 | -     | 150,0 | 25,00 | PHP 56-14M-85RSB  |                  |                  |
|        | 285,21     | 64                   | 7F              | 282,41      | 296,0                | 32     | 90,0      | 102,0 | -     | 102,0 | -     | 150,0 | 28,20 | PHP 64-14M-85RSB  |                  |                  |
|        | 320,86     | 72                   | 3               | 318,06      | -                    | 32     | 90,0      | 102,0 | -     | 102,0 | -     | 150,0 | 28,80 | PHP 72-14M-85RSB  |                  |                  |
|        | 356,51     | 80                   | 3               | 353,71      | -                    | 32     | 90,0      | 102,0 | -     | 102,0 | -     | 150,0 | 30,10 | PHP 80-14M-85RSB  |                  |                  |
|        | 401,07     | 90                   | 3               | 398,28      | -                    | 32     | 90,0      | 102,0 | -     | 102,0 | -     | 150,0 | 33,00 | PHP 90-14M-85RSB  |                  |                  |
|        | 499,11     | 112                  | 3               | 496,32      | -                    | 32     | 90,0      | 102,0 | -     | 102,0 | -     | 150,0 | 41,80 | PHP 112-14M-85RSB |                  |                  |
|        | 641,71     | 144                  | 3               | 638,92      | -                    | 32     | 90,0      | 102,0 | -     | 102,0 | -     | 150,0 | 52,40 | PHP 144-14M-85RSB |                  |                  |

# HiTD pulleys

14 mm pitch pilot bore (RSB)



Type 1F

Type 3

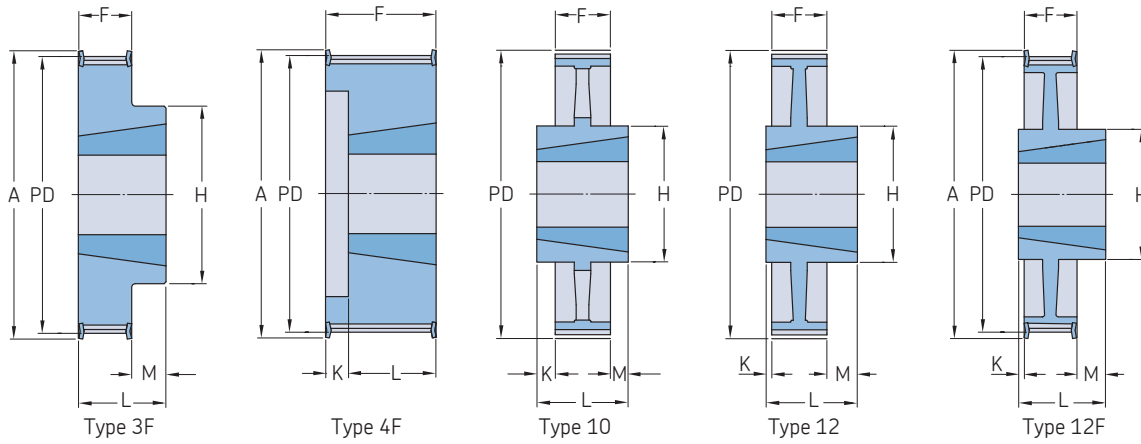
Type 7

Type 7F

| Pitch | Belt width | Pitch diameter<br>PD | Number of teeth | Pulley type | Dimensions           |       |           |       |       |   |       |   |       | Mass   | Designation        |
|-------|------------|----------------------|-----------------|-------------|----------------------|-------|-----------|-------|-------|---|-------|---|-------|--------|--------------------|
|       |            |                      |                 |             | Outer diameter<br>OD | A     | B<br>Min. | Max.  | F     | K | L     | M | H     |        |                    |
| mm    |            |                      | -               | -           | mm                   |       |           |       |       |   |       |   |       | kg     | -                  |
| 14    | 85         | 748,66               | 168             | 3           | 745,87               | -     | 32        | 90,0  | 102,0 | - | 102,0 | - | 150,0 | 60,30  | PHP 168-14M-85RSB  |
|       |            | 855,62               | 192             | 3           | 852,82               | -     | 32        | 100,0 | 102,0 | - | 102,0 | - | 165,0 | 70,20  | PHP 192-14M-85RSB  |
|       |            | 962,57               | 216             | 3           | 959,76               | -     | 32        | 100,0 | 102,0 | - | 102,0 | - | 165,0 | 81,00  | PHP 216-14M-85RSB  |
| 14    | 115        | 124,78               | 28              | 1F          | 122,12               | 127,0 | 32        | 67,0  | 133,0 | - | 148,0 | - | 100,0 | 9,20   | PHP 28-14M-115RSB  |
|       |            | 129,23               | 29              | 1F          | 126,57               | 138,0 | 32        | 67,0  | 133,0 | - | 148,0 | - | 100,0 | 10,20  | PHP 29-14M-115RSB  |
|       |            | 133,69               | 30              | 1F          | 130,99               | 138,0 | 32        | 67,0  | 133,0 | - | 148,0 | - | 100,0 | 11,20  | PHP 30-14M-115RSB  |
|       |            | 142,60               | 32              | 1F          | 139,88               | 154,0 | 32        | 67,0  | 133,0 | - | 148,0 | - | 100,0 | 13,20  | PHP 32-14M-115RSB  |
|       |            | 151,52               | 34              | 1F          | 148,79               | 160,0 | 32        | 67,0  | 133,0 | - | 148,0 | - | 100,0 | 14,80  | PHP 34-14M-115RSB  |
|       |            | 160,43               | 36              | 1F          | 157,68               | 168,0 | 32        | 80,0  | 133,0 | - | 148,0 | - | 120,0 | 16,60  | PHP 36-14M-115RSB  |
|       |            | 169,34               | 38              | 1F          | 166,60               | 183,0 | 32        | 80,0  | 133,0 | - | 148,0 | - | 120,0 | 19,20  | PHP 38-14M-115RSB  |
|       |            | 178,25               | 40              | 1F          | 175,49               | 188,0 | 32        | 90,0  | 133,0 | - | 148,0 | - | 135,0 | 20,56  | PHP 40-14M-115RSB  |
|       |            | 196,08               | 44              | 1F          | 193,28               | 211,0 | 32        | 94,0  | 133,0 | - | 148,0 | - | 140,0 | 26,00  | PHP 44-14M-115RSB  |
|       |            | 213,90               | 48              | 1F          | 211,11               | 226,0 | 32        | 100,0 | 133,0 | - | 148,0 | - | 150,0 | 30,00  | PHP 48-14M-115RSB  |
|       |            | 249,55               | 56              | 1F          | 246,76               | 256,0 | 32        | 100,0 | 133,0 | - | 148,0 | - | 150,0 | 36,00  | PHP 56-14M-115RSB  |
|       |            | 285,21               | 64              | 7F          | 282,41               | 296,0 | 32        | 90,0  | 133,0 | - | 133,0 | - | 150,0 | 39,00  | PHP 64-14M-115RSB  |
|       |            | 320,86               | 72              | 3           | 318,06               | -     | 32        | 90,0  | 133,0 | - | 133,0 | - | 150,0 | 32,83  | PHP 72-14M-115RSB  |
|       |            | 356,51               | 80              | 3           | 353,71               | -     | 32        | 90,0  | 133,0 | - | 133,0 | - | 150,0 | 35,55  | PHP 80-14M-115RSB  |
|       |            | 401,07               | 90              | 3           | 398,28               | -     | 32        | 90,0  | 133,0 | - | 133,0 | - | 150,0 | 41,00  | PHP 90-14M-115RSB  |
|       |            | 499,11               | 112             | 3           | 496,32               | -     | 32        | 90,0  | 133,0 | - | 133,0 | - | 150,0 | 54,40  | PHP 112-14M-115RSB |
|       |            | 641,71               | 144             | 3           | 638,92               | -     | 32        | 100,0 | 133,0 | - | 133,0 | - | 165,0 | 67,80  | PHP 144-14M-115RSB |
|       |            | 748,66               | 168             | 3           | 745,87               | -     | 32        | 100,0 | 133,0 | - | 133,0 | - | 165,0 | 75,80  | PHP 168-14M-115RSB |
|       |            | 855,62               | 192             | 3           | 852,82               | -     | 32        | 100,0 | 133,0 | - | 133,0 | - | 165,0 | 90,30  | PHP 192-14M-115RSB |
|       |            | 962,57               | 216             | 3           | 959,76               | -     | 32        | 100,0 | 133,0 | - | 133,0 | - | 165,0 | 105,00 | PHP 216-14M-115RSB |
| 14    | 170        | 124,78               | 28              | 1F          | 122,12               | 127,0 | 32        | 67,0  | 187,0 | - | 202,0 | - | 100,0 | 13,80  | PHP 28-14M-170RSB  |
|       |            | 129,23               | 29              | 1F          | 126,57               | 138,0 | 32        | 67,0  | 187,0 | - | 202,0 | - | 100,0 | 14,20  | PHP 29-14M-170RSB  |
|       |            | 133,69               | 30              | 1F          | 130,99               | 138,0 | 32        | 67,0  | 187,0 | - | 202,0 | - | 100,0 | 15,60  | PHP 30-14M-170RSB  |
|       |            | 142,60               | 32              | 1F          | 139,88               | 154,0 | 32        | 67,0  | 187,0 | - | 202,0 | - | 100,0 | 18,10  | PHP 32-14M-170RSB  |
|       |            | 151,52               | 34              | 1F          | 148,79               | 160,0 | 32        | 67,0  | 187,0 | - | 202,0 | - | 100,0 | 20,40  | PHP 34-14M-170RSB  |
|       |            | 160,43               | 36              | 1F          | 157,68               | 168,0 | 32        | 80,0  | 187,0 | - | 202,0 | - | 120,0 | 23,50  | PHP 36-14M-170RSB  |
|       |            | 169,34               | 38              | 1F          | 166,60               | 183,0 | 32        | 90,0  | 187,0 | - | 202,0 | - | 135,0 | 26,50  | PHP 38-14M-170RSB  |
|       |            | 178,25               | 40              | 1F          | 175,49               | 188,0 | 32        | 94,0  | 187,0 | - | 202,0 | - | 140,0 | 30,10  | PHP 40-14M-170RSB  |
|       |            | 196,08               | 44              | 1F          | 193,28               | 211,0 | 32        | 100,0 | 187,0 | - | 202,0 | - | 160,0 | 37,80  | PHP 44-14M-170RSB  |
|       |            | 213,90               | 48              | 1F          | 211,11               | 226,0 | 32        | 107,0 | 187,0 | - | 202,0 | - | 160,0 | 44,50  | PHP 48-14M-170RSB  |
|       |            | 249,55               | 56              | 1F          | 246,76               | 256,0 | 32        | 110,0 | 187,0 | - | 202,0 | - | 160,0 | 61,00  | PHP 56-14M-170RSB  |
|       |            | 285,21               | 64              | 1F          | 282,41               | 296,0 | 32        | 120,0 | 187,0 | - | 202,0 | - | 180,0 | 81,00  | PHP 64-14M-170RSB  |
|       |            | 320,86               | 72              | 7           | 318,06               | -     | 32        | 120,0 | 187,0 | - | 187,0 | - | 180,0 | 61,40  | PHP 72-14M-170RSB  |
|       |            | 356,51               | 80              | 7           | 353,71               | -     | 32        | 108,0 | 187,0 | - | 187,0 | - | 180,0 | 65,00  | PHP 80-14M-170RSB  |
|       |            | 401,07               | 90              | 3           | 398,28               | -     | 38        | 108,0 | 187,0 | - | 187,0 | - | 180,0 | 68,00  | PHP 90-14M-170RSB  |
|       |            | 499,11               | 112             | 3           | 496,32               | -     | 38        | 108,0 | 187,0 | - | 187,0 | - | 200,0 | 87,50  | PHP 112-14M-170RSB |
|       |            | 641,71               | 144             | 3           | 638,92               | -     | 38        | 108,0 | 187,0 | - | 187,0 | - | 220,0 | 114,80 | PHP 144-14M-170RSB |
|       |            | 748,66               | 168             | 3           | 745,87               | -     | 38        | 108,0 | 187,0 | - | 187,0 | - | 220,0 | 125,00 | PHP 168-14M-170RSB |
|       |            | 855,62               | 192             | 3           | 852,82               | -     | 38        | 108,0 | 187,0 | - | 187,0 | - | 220,0 | 136,40 | PHP 192-14M-170RSB |
|       |            | 962,57               | 216             | 3           | 959,76               | -     | 38        | 108,0 | 187,0 | - | 187,0 | - | 220,0 | 147,00 | PHP 216-14M-170RSB |

# HiTD pulleys

5 mm pitch taper bushed | 8 mm pitch taper bushed

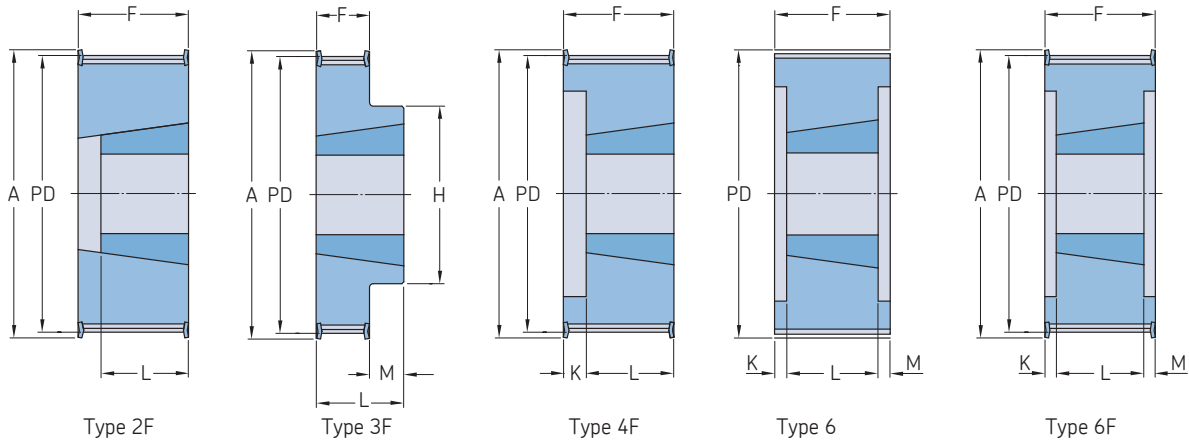


| Pitch  | Belt width | Pitch diameter | Number of teeth | Pulley type | Bushing number | Dimensions        |      |        |      |      |      |      |      | Mass <sup>1)</sup> | Designation |                 |      |                |
|--------|------------|----------------|-----------------|-------------|----------------|-------------------|------|--------|------|------|------|------|------|--------------------|-------------|-----------------|------|----------------|
|        |            |                |                 |             |                | Outer diameter OD | A    | B Min. | Max. | F    | K    | L    | M    |                    |             | H               |      |                |
| mm     |            | PD             | -               | -           | -              | mm                |      |        |      |      |      |      |      | kg                 | -           |                 |      |                |
| 5      | 15         | 54,11          | 34              | 3F          | 1008           | 52,97             | 58   | 9      | 25,0 | 20,5 | -    | 22,0 | 1,5  | 43                 | 0,19        | PHP 34-5M-15TB  |      |                |
|        |            | 57,30          | 36              | 3F          | 1108           | 56,16             | 61   | 9      | 28,0 | 20,5 | -    | 22,0 | 1,5  | 45                 | 0,20        | PHP 36-5M-15TB  |      |                |
|        |            | 60,48          | 38              | 3F          | 1108           | 59,34             | 65   | 9      | 28,0 | 20,5 | -    | 22,0 | 1,5  | 48                 | 0,25        | PHP 38-5M-15TB  |      |                |
|        |            | 63,66          | 40              | 3F          | 1108           | 62,52             | 68   | 9      | 28,0 | 20,5 | -    | 22,0 | 1,5  | 52                 | 0,31        | PHP 40-5M-15TB  |      |                |
|        |            | 70,03          | 44              | 3F          | 1108           | 68,89             | 74   | 9      | 28,0 | 20,5 | -    | 22,0 | 1,5  | 54                 | 0,40        | PHP 44-5M-15TB  |      |                |
|        |            | 76,39          | 48              | 3F          | 1210           | 75,25             | 80   | 11     | 32,0 | 20,5 | -    | 25,0 | 4,5  | 64                 | 0,45        | PHP 48-5M-15TB  |      |                |
|        |            | 89,13          | 56              | 3F          | 1210           | 87,99             | 93   | 11     | 32,0 | 20,5 | -    | 25,0 | 4,5  | 70                 | 0,67        | PHP 56-5M-15TB  |      |                |
|        |            | 101,86         | 64              | 3F          | 1210           | 100,72            | 106  | 11     | 32,0 | 20,5 | -    | 25,0 | 4,5  | 78                 | 0,96        | PHP 64-5M-15TB  |      |                |
|        |            | 114,59         | 72              | 3F          | 1610           | 113,45            | 118  | 14     | 42,0 | 20,5 | -    | 25,0 | 4,5  | 90                 | 1,19        | PHP 72-5M-15TB  |      |                |
|        |            | 127,32         | 80              | 3F          | 1610           | 126,18            | 135  | 14     | 42,0 | 20,5 | -    | 25,0 | 4,5  | 92                 | 1,57        | PHP 80-5M-15TB  |      |                |
|        |            | 143,24         | 90              | 10          | 1610           | 142,10            | -    | 14     | 42,0 | 20,5 | 2,3  | 25,0 | 2,3  | 92                 | 1,47        | PHP 90-5M-15TB  |      |                |
|        |            | 178,25         | 112             | 10          | 1610           | 177,11            | -    | 14     | 42,0 | 20,5 | 2,3  | 25,0 | 2,3  | 92                 | 1,94        | PHP 112-5M-15TB |      |                |
|        |            | 216,45         | 136             | 10          | 2012           | 215,31            | -    | 14     | 50,0 | 20,5 | 5,8  | 32,0 | 5,8  | 106                | 3,06        | PHP 136-5M-15TB |      |                |
|        |            | 238,73         | 150             | 10          | 2012           | 237,51            | -    | 14     | 50,0 | 20,5 | 5,8  | 32,0 | 5,8  | 106                | 4,50        | PHP 150-5M-15TB |      |                |
|        |            | 8              | 20              | 56,02       | 22             | 4F                | 1008 | 54,65  | 65   | 9    | 25,0 | 28,0 | 6,0  | 22,0               | -           | -               | 0,24 | PHP 22-8M-20TB |
|        |            |                |                 | 61,12       | 24             | 4F                | 1108 | 59,75  | 70   | 9    | 28,0 | 28,0 | 6,0  | 22,0               | -           | -               | 0,30 | PHP 24-8M-20TB |
|        |            |                |                 | 66,21       | 26             | 4F                | 1108 | 64,84  | 75   | 9    | 28,0 | 28,0 | 6,0  | 22,0               | -           | -               | 0,36 | PHP 26-8M-20TB |
|        |            |                |                 | 71,30       | 28             | 4F                | 1108 | 70,08  | 80   | 9    | 28,0 | 28,0 | 6,0  | 22,0               | -           | -               | 0,44 | PHP 28-8M-20TB |
| 76,39  | 30         |                |                 | 4F          | 1108           | 75,13             | 85   | 11     | 28,0 | 28,0 | 6,0  | 22,0 | -    | -                  | 0,45        | PHP 30-8M-20TB  |      |                |
| 81,49  | 32         |                |                 | 4F          | 1610           | 80,16             | 90   | 11     | 42,0 | 28,0 | 3,0  | 25,0 | -    | -                  | 0,50        | PHP 32-8M-20TB  |      |                |
| 86,58  | 34         |                |                 | 4F          | 1610           | 85,22             | 95   | 14     | 42,0 | 28,0 | 3,0  | 25,0 | -    | -                  | 0,55        | PHP 34-8M-20TB  |      |                |
| 91,67  | 36         |                |                 | 4F          | 1610           | 90,30             | 100  | 14     | 42,0 | 28,0 | 3,0  | 25,0 | -    | -                  | 0,68        | PHP 36-8M-20TB  |      |                |
| 96,77  | 38         |                |                 | 4F          | 1610           | 95,39             | 106  | 14     | 42,0 | 28,0 | 3,0  | 25,0 | -    | -                  | 0,80        | PHP 38-8M-20TB  |      |                |
| 101,86 | 40         |                |                 | 4F          | 1610           | 100,49            | 110  | 14     | 42,0 | 28,0 | 3,0  | 25,0 | -    | -                  | 1,00        | PHP 40-8M-20TB  |      |                |
| 106,95 | 42         |                |                 | 4F          | 1610           | 105,58            | 110  | 14     | 42,0 | 28,0 | 3,0  | 25,0 | -    | -                  | 1,11        | PHP 42-8M-20TB  |      |                |
| 112,05 | 44         |                |                 | 3F          | 2012           | 110,67            | 121  | 14     | 50,0 | 28,0 | -    | 32,0 | 4,0  | 92                 | 1,20        | PHP 44-8M-20TB  |      |                |
| 122,23 | 48         |                |                 | 3F          | 2012           | 120,86            | 131  | 14     | 50,0 | 28,0 | -    | 32,0 | 4,0  | 96                 | 1,60        | PHP 48-8M-20TB  |      |                |
| 142,60 | 56         |                |                 | 3F          | 2012           | 141,23            | 151  | 14     | 50,0 | 28,0 | -    | 32,0 | 4,0  | 110                | 2,40        | PHP 56-8M-20TB  |      |                |
| 152,79 | 60         |                |                 | 3F          | 2012           | 151,42            | 162  | 14     | 50,0 | 28,0 | -    | 32,0 | 4,0  | 110                | 2,55        | PHP 60-8M-20TB  |      |                |
| 162,97 | 64         |                |                 | 12F         | 2012           | 161,60            | 171  | 14     | 50,0 | 28,0 | -    | 32,0 | 4,0  | 110                | 2,70        | PHP 64-8M-20TB  |      |                |
| 183,35 | 72         |                |                 | 12F         | 2012           | 181,97            | 192  | 14     | 50,0 | 28,0 | -    | 32,0 | 4,0  | 110                | 3,30        | PHP 72-8M-20TB  |      |                |
| 203,72 | 80         |                |                 | 12          | 2012           | 202,35            | -    | 16     | 50,0 | 28,0 | -    | 32,0 | 4,0  | 110                | 3,50        | PHP 80-8M-20TB  |      |                |
| 229,18 | 90         | 12             | 2012            | 227,81      | -              | 16                | 50,0 | 28,0   | -    | 32,0 | 4,0  | 110  | 3,65 | PHP 90-8M-20TB     |             |                 |      |                |
| 8      | 30         | 50,93          | 20              | 4F          | 1008           | 49,56             | 60   | 9      | 25,0 | 38,0 | 16,0 | 22,0 | -    | -                  | 0,23        | PHP 20-8M-30TB  |      |                |
|        |            | 53,47          | 21              | 4F          | 1008           | 52,10             | 65   | 9      | 25,0 | 38,0 | 16,0 | 22,0 | -    | -                  | 0,26        | PHP 21-8M-30TB  |      |                |
|        |            | 56,02          | 22              | 4F          | 1008           | 54,65             | 65   | 9      | 25,0 | 38,0 | 16,0 | 22,0 | -    | -                  | 0,29        | PHP 22-8M-30TB  |      |                |
|        |            | 58,57          | 23              | 4F          | 1108           | 57,20             | 70   | 9      | 28,0 | 38,0 | 16,0 | 22,0 | -    | -                  | 0,32        | PHP 23-8M-30TB  |      |                |
|        |            | 61,12          | 24              | 4F          | 1108           | 59,75             | 70   | 9      | 28,0 | 38,0 | 16,0 | 22,0 | -    | -                  | 0,38        | PHP 24-8M-30TB  |      |                |
|        |            | 63,66          | 25              | 4F          | 1108           | 62,29             | 75   | 9      | 28,0 | 38,0 | 16,0 | 22,0 | -    | -                  | 0,41        | PHP 25-8M-30TB  |      |                |
|        |            | 66,21          | 26              | 4F          | 1108           | 64,84             | 75   | 9      | 28,0 | 38,0 | 16,0 | 22,0 | -    | -                  | 0,45        | PHP 26-8M-30TB  |      |                |
|        |            | 68,75          | 27              | 4F          | 1108           | 67,38             | 80   | 9      | 28,0 | 38,0 | 16,0 | 22,0 | -    | -                  | 0,49        | PHP 27-8M-30TB  |      |                |
|        |            | 71,30          | 28              | 4F          | 1210           | 70,08             | 80   | 11     | 32,0 | 38,0 | 16,0 | 25,0 | -    | -                  | 0,50        | PHP 28-8M-30TB  |      |                |

<sup>1)</sup> Mass does not include bushings.

# HiTD pulleys

8 mm pitch taper bushed

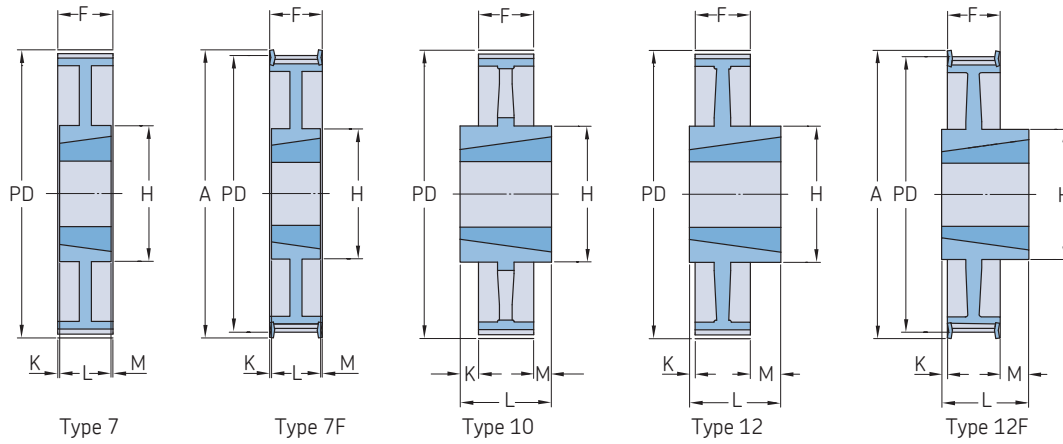


| Pitch  | Belt width | Pitch diameter<br>PD | Number of teeth | Pulley type | Bushing number | Dimensions           |       |           |      |      |     |      |       | Mass <sup>1)</sup> | Designation |                |
|--------|------------|----------------------|-----------------|-------------|----------------|----------------------|-------|-----------|------|------|-----|------|-------|--------------------|-------------|----------------|
|        |            |                      |                 |             |                | Outer diameter<br>OD | A     | B<br>Min. | Max. | F    | K   | L    | M     |                    |             | H              |
| mm     |            |                      | -               | -           | -              | mm                   |       |           |      |      |     |      |       |                    | kg          | -              |
| 8      | 30         | 76,39                | 30              | 2F          | 1615           | 75,13                | 85    | 11        | 42,0 | 38,0 | -   | 38,0 | -     | -                  | 0,55        | PHP 30-8M-30TB |
|        |            | 78,94                | 31              | 2F          | 1615           | 77,57                | 90    | 14        | 42,0 | 38,0 | -   | 38,0 | -     | -                  | 0,57        | PHP 31-8M-30TB |
|        |            | 81,49                | 32              | 2F          | 1615           | 80,16                | 90    | 14        | 42,0 | 38,0 | -   | 38,0 | -     | -                  | 0,59        | PHP 32-8M-30TB |
|        |            | 84,03                | 33              | 2F          | 1615           | 82,66                | 95    | 14        | 42,0 | 38,0 | -   | 38,0 | -     | -                  | 0,73        | PHP 33-8M-30TB |
|        |            | 86,58                | 34              | 2F          | 1615           | 85,22                | 95    | 14        | 42,0 | 38,0 | -   | 38,0 | -     | -                  | 0,77        | PHP 34-8M-30TB |
|        |            | 89,13                | 35              | 2F          | 1615           | 87,75                | 100   | 14        | 42,0 | 38,0 | -   | 38,0 | -     | -                  | 0,82        | PHP 35-8M-30TB |
|        |            | 91,67                | 36              | 2F          | 1615           | 90,30                | 100   | 14        | 42,0 | 38,0 | -   | 38,0 | -     | -                  | 0,96        | PHP 36-8M-30TB |
|        |            | 96,77                | 38              | 2F          | 1615           | 95,39                | 106   | 14        | 42,0 | 38,0 | -   | 38,0 | -     | -                  | 1,15        | PHP 38-8M-30TB |
|        |            | 101,86               | 40              | 2F          | 1615           | 100,49               | 110   | 14        | 42,0 | 38,0 | -   | 38,0 | -     | -                  | 1,34        | PHP 40-8M-30TB |
|        |            | 106,95               | 42              | 2F          | 1615           | 105,58               | 110   | 14        | 42,0 | 38,0 | -   | 38,0 | -     | -                  | 1,36        | PHP 42-8M-30TB |
|        |            | 112,05               | 44              | 6F          | 2012           | 110,67               | 121   | 14        | 50,0 | 38,0 | 6,0 | 32,0 | -     | -                  | 1,33        | PHP 44-8M-30TB |
|        |            | 114,59               | 45              | 6F          | 2012           | 113,22               | 121   | 14        | 50,0 | 38,0 | 6,0 | 32,0 | -     | -                  | 1,62        | PHP 45-8M-30TB |
|        |            | 122,23               | 48              | 6F          | 2012           | 120,86               | 131   | 14        | 50,0 | 38,0 | 6,0 | 32,0 | -     | -                  | 1,78        | PHP 48-8M-30TB |
|        |            | 127,32               | 50              | 6F          | 2012           | 125,95               | 136   | 14        | 50,0 | 38,0 | 3,0 | 32,0 | 3,0   | -                  | 2,08        | PHP 50-8M-30TB |
|        |            | 132,42               | 52              | 6F          | 2012           | 131,04               | 141   | 14        | 50,0 | 38,0 | 3,0 | 32,0 | 3,0   | -                  | 2,39        | PHP 52-8M-30TB |
|        |            | 142,60               | 56              | 6F          | 2012           | 141,23               | 151   | 14        | 50,0 | 38,0 | 6,0 | 32,0 | -     | -                  | 3,76        | PHP 56-8M-30TB |
|        |            | 147,70               | 58              | 6F          | 2012           | 146,32               | 156   | 14        | 50,0 | 38,0 | 3,0 | 32,0 | 3,0   | -                  | 3,87        | PHP 58-8M-30TB |
|        |            | 152,79               | 60              | 6F          | 2517           | 151,42               | 162   | 16        | 60,0 | 38,0 | 3,0 | 45,0 | 3,0   | -                  | 3,98        | PHP 60-8M-30TB |
|        |            | 162,97               | 64              | 3F          | 2517           | 161,60               | 171   | 16        | 60,0 | 38,0 | -   | 45,0 | 7,0   | 125                | 4,20        | PHP 64-8M-30TB |
|        |            | 183,35               | 72              | 12F         | 2517           | 181,97               | 192   | 16        | 60,0 | 38,0 | -   | 45,0 | 7,0   | 125                | 4,30        | PHP 72-8M-30TB |
| 203,72 | 80         | 12                   | 2517            | 202,35      | -              | 16                   | 60,0  | 38,0      | -    | 45,0 | 7,0 | 125  | 4,60  | PHP 80-8M-30TB     |             |                |
| 229,18 | 90         | 12                   | 2517            | 227,81      | -              | 16                   | 60,0  | 38,0      | -    | 45,0 | 7,0 | 125  | 5,00  | PHP 90-8M-30TB     |             |                |
| 285,21 | 112        | 12                   | 2517            | 283,83      | -              | 16                   | 60,0  | 38,0      | -    | 45,0 | 7,0 | 125  | 6,20  | PHP 112-8M-30TB    |             |                |
| 366,69 | 144        | 12                   | 2517            | 365,32      | -              | 16                   | 60,0  | 38,0      | -    | 45,0 | 7,0 | 125  | 9,00  | PHP 144-8M-30TB    |             |                |
| 427,81 | 168        | 10                   | 3020            | 426,44      | -              | 25                   | 75,0  | 38,0      | 7,0  | 51,0 | 7,0 | 170  | 15,00 | PHP 168-8M-30TB    |             |                |
| 488,92 | 192        | 10                   | 3525            | 487,55      | -              | 35                   | 100,0 | 38,0      | 14,0 | 65,0 | 7,0 | 198  | 18,50 | PHP 192-8M-30TB    |             |                |

<sup>1)</sup> Mass does not include bushings.

# HiTD pulleys

8 mm pitch taper bushed

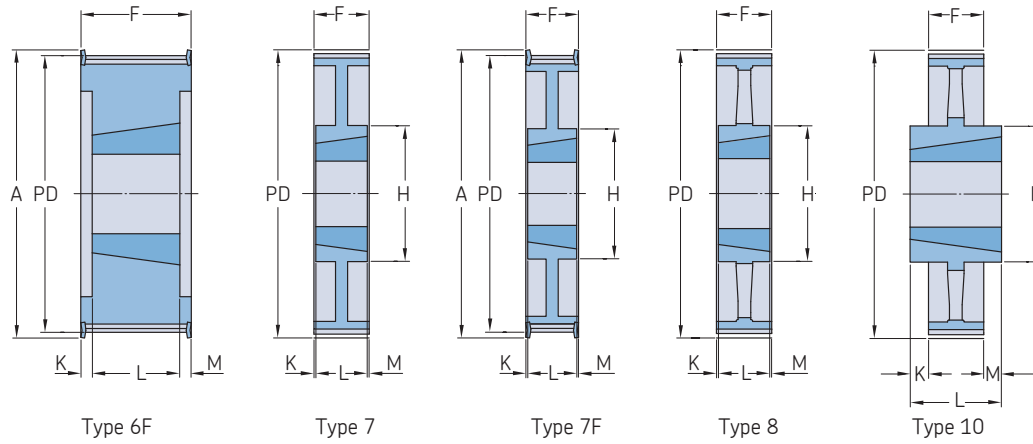


| Pitch | Belt width | Pitch diameter | Number of teeth | Pulley type | Bushing number | Dimensions        |     | A  | B Min. | Max. | F    | K    | L    | M   | H     | Mass <sup>1)</sup> | Designation |
|-------|------------|----------------|-----------------|-------------|----------------|-------------------|-----|----|--------|------|------|------|------|-----|-------|--------------------|-------------|
|       |            |                |                 |             |                | Outer diameter OD | mm  |    |        |      |      |      |      |     |       |                    |             |
| 8     | 50         | 61,12          | 24              | 6F          | 1108           | 59,75             | 70  | 9  | 32,0   | 60,0 | 19,0 | 22,0 | 19,0 | -   | 0,35  | PHP 24-8M-50TB     |             |
|       |            | 66,21          | 26              | 6F          | 1108           | 64,84             | 75  | 9  | 32,0   | 60,0 | 19,0 | 22,0 | 19,0 | -   | 0,48  | PHP 26-8M-50TB     |             |
|       |            | 68,75          | 27              | 6F          | 1108           | 67,38             | 75  | 9  | 32,0   | 60,0 | 19,0 | 22,0 | 19,0 | -   | 0,55  | PHP 27-8M-50TB     |             |
|       |            | 71,30          | 28              | 4F          | 1210           | 70,08             | 80  | 11 | 32,0   | 60,0 | 35,0 | 22,0 | 35,0 | -   | 0,60  | PHP 28-8M-50TB     |             |
|       |            | 76,39          | 30              | 4F          | 1615           | 75,13             | 85  | 14 | 42,0   | 60,0 | 23,0 | 25,0 | -    | -   | 0,65  | PHP 30-8M-50TB     |             |
|       |            | 78,94          | 31              | 4F          | 1615           | 77,57             | 87  | 14 | 42,0   | 60,0 | 23,0 | 25,0 | -    | -   | 0,77  | PHP 31-8M-50TB     |             |
|       |            | 81,49          | 32              | 4F          | 1615           | 80,16             | 90  | 14 | 42,0   | 60,0 | 23,0 | 25,0 | -    | -   | 0,82  | PHP 32-8M-50TB     |             |
|       |            | 84,03          | 33              | 4F          | 1615           | 82,66             | 90  | 14 | 42,0   | 60,0 | 23,0 | 25,0 | -    | -   | 0,98  | PHP 33-8M-50TB     |             |
|       |            | 86,58          | 34              | 4F          | 1615           | 85,22             | 95  | 14 | 42,0   | 60,0 | 23,0 | 25,0 | -    | -   | 1,06  | PHP 34-8M-50TB     |             |
|       |            | 89,13          | 35              | 4F          | 1615           | 87,75             | 95  | 14 | 42,0   | 60,0 | 23,0 | 25,0 | -    | -   | 1,18  | PHP 35-8M-50TB     |             |
|       |            | 91,67          | 36              | 4F          | 1615           | 90,30             | 100 | 14 | 42,0   | 60,0 | 23,0 | 25,0 | -    | -   | 1,30  | PHP 36-8M-50TB     |             |
|       |            | 96,77          | 38              | 4F          | 1615           | 95,39             | 105 | 14 | 42,0   | 60,0 | 23,0 | 25,0 | -    | -   | 1,60  | PHP 38-8M-50TB     |             |
|       |            | 101,86         | 40              | 4F          | 2012           | 100,49            | 110 | 14 | 50,0   | 60,0 | 29,0 | 32,0 | -    | -   | 1,71  | PHP 40-8M-50TB     |             |
|       |            | 106,95         | 42              | 4F          | 2012           | 105,58            | 111 | 14 | 50,0   | 60,0 | 29,0 | 32,0 | 28,0 | -   | 1,75  | PHP 42-8M-50TB     |             |
|       |            | 112,05         | 44              | 6F          | 2012           | 110,67            | 121 | 14 | 50,0   | 60,0 | -    | 32,0 | 28,0 | -   | 1,78  | PHP 44-8M-50TB     |             |
|       |            | 114,59         | 45              | 6F          | 2012           | 113,22            | 121 | 14 | 50,0   | 60,0 | -    | 32,0 | 28,0 | -   | 1,91  | PHP 45-8M-50TB     |             |
|       |            | 122,23         | 48              | 6F          | 2012           | 120,86            | 131 | 14 | 50,0   | 60,0 | -    | 32,0 | 28,0 | -   | 2,30  | PHP 48-8M-50TB     |             |
|       |            | 127,32         | 50              | 6F          | 2012           | 125,95            | 131 | 14 | 50,0   | 60,0 | -    | 32,0 | 28,0 | -   | 2,58  | PHP 50-8M-50TB     |             |
|       |            | 132,42         | 52              | 6F          | 2012           | 131,04            | 140 | 14 | 50,0   | 60,0 | -    | 32,0 | 28,0 | -   | 2,85  | PHP 52-8M-50TB     |             |
|       |            | 142,60         | 56              | 6F          | 2517           | 141,23            | 151 | 16 | 60,0   | 60,0 | -    | 45,0 | 15,0 | -   | 3,40  | PHP 56-8M-50TB     |             |
|       |            | 147,70         | 58              | 6F          | 2517           | 146,32            | 156 | 16 | 60,0   | 60,0 | -    | 45,0 | 15,0 | -   | 3,80  | PHP 58-8M-50TB     |             |
|       |            | 152,79         | 60              | 6F          | 2517           | 151,42            | 158 | 16 | 60,0   | 60,0 | -    | 45,0 | 15,0 | -   | 4,20  | PHP 60-8M-50TB     |             |
|       |            | 162,97         | 64              | 6F          | 2517           | 161,60            | 171 | 16 | 60,0   | 60,0 | -    | 45,0 | 15,0 | -   | 5,00  | PHP 64-8M-50TB     |             |
|       |            | 183,35         | 72              | 7F          | 2517           | 181,97            | 192 | 16 | 60,0   | 60,0 | 7,5  | 45,0 | 7,5  | 125 | 6,70  | PHP 72-8M-50TB     |             |
|       |            | 203,72         | 80              | 6           | 3020           | 202,35            | -   | 25 | 75,0   | 60,0 | 4,5  | 45,0 | 4,5  | -   | 8,80  | PHP 80-8M-50TB     |             |
|       |            | 229,18         | 90              | 7           | 3020           | 227,81            | -   | 25 | 75,0   | 60,0 | 4,5  | 51,0 | 4,5  | 160 | 10,00 | PHP 90-8M-50TB     |             |
|       |            | 285,21         | 112             | 7           | 3020           | 283,83            | -   | 25 | 75,0   | 60,0 | 4,5  | 51,0 | 4,5  | 170 | 12,00 | PHP 112-8M-50TB    |             |

<sup>1)</sup> Mass does not include bushings.

# HiTD pulleys

8 mm pitch taper bushed | 14 mm pitch taper bushed



| Pitch  | Belt width | Pitch diameter | Number of teeth | Pulley type | Bushing number | Dimensions        |      |        |       |      |      |      | Mass <sup>1)</sup> | Designation     |       |                  |
|--------|------------|----------------|-----------------|-------------|----------------|-------------------|------|--------|-------|------|------|------|--------------------|-----------------|-------|------------------|
|        |            |                |                 |             |                | Outer diameter OD | A    | B Min. | Max.  | F    | K    | L    |                    |                 | M     | H                |
| mm     |            | PD             |                 |             |                | mm                |      |        |       |      |      |      |                    | kg              |       |                  |
| 8      | 50         | 366,69         | 144             | 8           | 3020           | 365,32            | –    | 25     | 75,0  | 60,0 | 4,5  | 51,0 | 4,5                | 170             | 15,20 | PHP 144-8M-50TB  |
|        |            | 427,81         | 168             | 10          | 3525           | 426,44            | –    | 25     | 100,0 | 60,0 | 4,5  | 51,0 | 4,5                | 170             | 16,40 | PHP 168-8M-50TB  |
|        |            | 488,92         | 192             | 10          | 3525           | 487,55            | –    | 25     | 100,0 | 60,0 | 4,5  | 51,0 | 4,5                | 170             | 21,80 | PHP 192-8M-50TB  |
| 8      | 85         | 61,12          | 24              | 6F          | 1108           | 59,75             | 70   | 9      | 28,0  | 95,0 | 36,5 | 22,0 | 36,5               | –               | 0,46  | PHP 24-8M-85TB   |
|        |            | 66,21          | 26              | 6F          | 1108           | 64,84             | 75   | 9      | 28,0  | 95,0 | 36,5 | 22,0 | 36,5               | –               | 0,64  | PHP 26-8M-85TB   |
|        |            | 71,30          | 28              | 6F          | 1108           | 70,08             | 80   | 9      | 28,0  | 95,0 | 36,5 | 22,0 | 36,5               | –               | 0,82  | PHP 28-8M-85TB   |
|        |            | 76,39          | 30              | 6F          | 1615           | 75,13             | 85   | 14     | 42,0  | 95,0 | 36,5 | 22,0 | 36,5               | –               | 1,17  | PHP 30-8M-85TB   |
|        |            | 84,03          | 33              | 6F          | 1615           | 82,66             | 90   | 14     | 42,0  | 95,0 | 36,5 | 22,0 | 36,5               | –               | 1,34  | PHP 33-8M-85TB   |
|        |            | 86,58          | 34              | 6F          | 1615           | 85,22             | 95   | 14     | 42,0  | 95,0 | 28,5 | 38,0 | 28,5               | –               | 1,43  | PHP 34-8M-85TB   |
|        |            | 89,13          | 35              | 6F          | 1615           | 87,75             | 95   | 14     | 42,0  | 95,0 | 28,5 | 38,0 | 28,5               | –               | 1,54  | PHP 35-8M-85TB   |
|        |            | 91,67          | 36              | 6F          | 1615           | 90,30             | 100  | 14     | 42,0  | 95,0 | 28,5 | 38,0 | 28,5               | –               | 1,87  | PHP 36-8M-85TB   |
|        |            | 96,77          | 38              | 6F          | 1615           | 95,39             | 106  | 14     | 42,0  | 95,0 | 28,5 | 38,0 | 28,5               | –               | 2,20  | PHP 38-8M-85TB   |
|        |            | 101,86         | 40              | 6F          | 2012           | 100,49            | 110  | 14     | 50,0  | 95,0 | 31,5 | 32,0 | 31,5               | –               | 1,80  | PHP 40-8M-85TB   |
|        |            | 106,95         | 42              | 6F          | 2012           | 105,58            | 110  | 14     | 50,0  | 95,0 | 31,5 | 32,0 | 31,5               | –               | 2,16  | PHP 42-8M-85TB   |
|        |            | 112,05         | 44              | 6F          | 2012           | 110,67            | 121  | 14     | 50,0  | 95,0 | 31,5 | 32,0 | 31,5               | –               | 2,30  | PHP 44-8M-85TB   |
|        |            | 114,59         | 45              | 6F          | 2012           | 113,22            | 121  | 14     | 50,0  | 95,0 | 31,5 | 32,0 | 31,5               | –               | 2,39  | PHP 45-8M-85TB   |
|        |            | 122,23         | 48              | 6F          | 2517           | 120,86            | 131  | 16     | 60,0  | 95,0 | 25,0 | 45,0 | 25,0               | –               | 2,66  | PHP 48-8M-85TB   |
|        |            | 127,32         | 50              | 6F          | 2517           | 125,95            | 131  | 16     | 60,0  | 95,0 | 25,0 | 45,0 | 25,0               | –               | 3,11  | PHP 50-8M-85TB   |
|        |            | 132,42         | 52              | 6F          | 2517           | 131,04            | 140  | 16     | 60,0  | 95,0 | 25,0 | 45,0 | 25,0               | –               | 3,56  | PHP 52-8M-85TB   |
|        |            | 142,60         | 56              | 6F          | 2517           | 141,23            | 151  | 16     | 60,0  | 95,0 | 25,0 | 45,0 | 25,0               | –               | 4,45  | PHP 56-8M-85TB   |
|        |            | 147,70         | 58              | 6F          | 2517           | 146,32            | 158  | 16     | 60,0  | 95,0 | 25,0 | 45,0 | 25,0               | –               | 4,89  | PHP 58-8M-85TB   |
|        |            | 152,79         | 60              | 6F          | 2517           | 151,42            | 158  | 16     | 60,0  | 95,0 | 25,0 | 45,0 | 25,0               | –               | 5,33  | PHP 60-8M-85TB   |
|        |            | 162,97         | 64              | 7F          | 2517           | 161,60            | 171  | 16     | 60,0  | 95,0 | 25,0 | 45,0 | 25,0               | –               | 6,20  | PHP 64-8M-85TB   |
|        |            | 183,35         | 72              | 7           | 3020           | 181,97            | 192  | 25     | 75,0  | 95,0 | 22,0 | 51,0 | 22,0               | –               | 8,00  | PHP 72-8M-85TB   |
|        |            | 203,72         | 80              | 8           | 3020           | 202,35            | –    | 25     | 75,0  | 95,0 | 22,0 | 51,0 | 22,0               | –               | 10,00 | PHP 80-8M-85TB   |
|        |            | 229,18         | 90              | 8           | 3020           | 227,81            | –    | 25     | 75,0  | 95,0 | 22,0 | 51,0 | 22,0               | –               | 10,80 | PHP 90-8M-85TB   |
|        |            | 285,21         | 112             | 8           | 3020           | 283,83            | –    | 25     | 75,0  | 95,0 | 22,0 | 51,0 | 22,0               | 170             | 15,00 | PHP 112-8M-85TB  |
| 366,69 | 144        | 8              | 3535            | 365,32      | –              | 35                | 90,0 | 95,0   | 3,0   | 89,0 | 3,0  | 190  | 20,00              | PHP 144-8M-85TB |       |                  |
| 427,81 | 168        | 8              | 3535            | 426,44      | –              | 35                | 90,0 | 95,0   | 3,0   | 89,0 | 3,0  | 190  | 23,00              | PHP 168-8M-85TB |       |                  |
| 488,92 | 192        | 8              | 3535            | 487,55      | –              | 35                | 90,0 | 95,0   | 3,0   | 89,0 | 3,0  | 190  | 28,50              | PHP 192-8M-85TB |       |                  |
| 14     | 40         | 124,78         | 28              | 6F          | 2012           | 122,12            | 141  | 14     | 50,0  | 54,0 | 11,0 | 32,0 | 11,0               | –               | 2,66  | PHP 28-14M-40TB  |
|        |            | 129,23         | 29              | 6F          | 2012           | 126,57            | 141  | 14     | 50,0  | 54,0 | 11,0 | 32,0 | 11,0               | –               | 2,66  | PHP 29-14M-40TB  |
|        |            | 133,69         | 30              | 6F          | 2012           | 130,99            | 156  | 14     | 50,0  | 54,0 | 11,0 | 32,0 | 11,0               | –               | 2,89  | PHP 30-14M-40TB  |
|        |            | 142,60         | 32              | 6F          | 2012           | 139,88            | 156  | 14     | 50,0  | 54,0 | 11,0 | 32,0 | 11,0               | –               | 3,51  | PHP 32-14M-40TB  |
|        |            | 151,52         | 34              | 6F          | 2517           | 148,79            | 165  | 16     | 60,0  | 54,0 | 4,5  | 45,0 | 4,5                | –               | 3,87  | PHP 34-14M-40TB  |
|        |            | 155,97         | 35              | 6F          | 2517           | 153,18            | 173  | 16     | 60,0  | 54,0 | 4,5  | 45,0 | 4,5                | –               | 4,34  | PHP 35-14M-40TB  |
|        |            | 160,43         | 36              | 6F          | 2517           | 157,68            | 173  | 16     | 60,0  | 54,0 | 4,5  | 45,0 | 4,5                | –               | 4,62  | PHP 36-14M-40TB  |
|        |            | 169,34         | 38              | 6F          | 2517           | 166,60            | 182  | 16     | 60,0  | 54,0 | 4,5  | 45,0 | 4,5                | –               | 5,40  | PHP 38-14M-40TB  |
|        |            | 178,25         | 40              | 6F          | 2517           | 175,49            | 191  | 16     | 60,0  | 54,0 | 4,5  | 45,0 | 4,5                | –               | 6,23  | PHP 40-14M-40TB  |
|        |            | 187,17         | 42              | 6F          | 2517           | 184,37            | 209  | 16     | 60,0  | 54,0 | 4,5  | 45,0 | 4,5                | –               | 6,75  | PHP 42-14M-40TB  |
|        |            | 196,08         | 44              | 6F          | 3020           | 193,28            | 209  | 25     | 75,0  | 54,0 | 1,5  | 51,0 | 1,5                | –               | 7,26  | PHP 44-14M-40TB  |
|        |            | 200,54         | 45              | 6F          | 3020           | 197,74            | 227  | 25     | 75,0  | 54,0 | 1,5  | 51,0 | 1,5                | –               | 8,20  | PHP 45-14M-40TB  |
|        |            | 213,90         | 48              | 6F          | 3020           | 211,11            | 227  | 25     | 75,0  | 54,0 | 1,5  | 51,0 | 1,5                | –               | 9,33  | PHP 48-14M-40TB  |
|        |            | 222,82         | 50              | 6F          | 3020           | 220,02            | 246  | 25     | 75,0  | 54,0 | 1,5  | 51,0 | 1,5                | –               | 10,10 | PHP 50-14M-40TB  |
|        |            | 249,55         | 56              | 6F          | 3020           | 246,76            | 264  | 25     | 75,0  | 54,0 | 1,5  | 51,0 | 1,5                | –               | 10,80 | PHP 56-14M-40TB  |
|        |            | 267,38         | 60              | 7F          | 3020           | 264,59            | 281  | 25     | 75,0  | 54,0 | 1,5  | 51,0 | 1,5                | 170             | 13,10 | PHP 60-14M-40TB  |
|        |            | 285,21         | 64              | 7F          | 3020           | 282,41            | 296  | 25     | 75,0  | 54,0 | 1,5  | 51,0 | 1,5                | 170             | 15,40 | PHP 64-14M-40TB  |
|        |            | 320,86         | 72              | 7           | 3020           | 318,06            | –    | 25     | 75,0  | 54,0 | 1,5  | 51,0 | 1,5                | 170             | 19,75 | PHP 72-14M-40TB  |
|        |            | 356,51         | 80              | 8           | 3020           | 353,71            | –    | 25     | 75,0  | 54,0 | 1,5  | 51,0 | 1,5                | 170             | 20,00 | PHP 80-14M-40TB  |
|        |            | 401,07         | 90              | 8           | 3020           | 398,28            | –    | 25     | 75,0  | 54,0 | 1,5  | 51,0 | 1,5                | 170             | 21,80 | PHP 90-14M-40TB  |
|        |            | 499,11         | 112             | 8           | 3020           | 496,32            | –    | 25     | 75,0  | 54,0 | 1,5  | 51,0 | 1,5                | 170             | 29,60 | PHP 112-14M-40TB |
|        |            | 641,71         | 144             | 8           | 3020           | 638,92            | –    | 25     | 75,0  | 54,0 | 1,5  | 51,0 | 1,5                | 170             | 36,00 | PHP 144-14M-40TB |
|        |            | 748,66         | 168             | 8           | 3020           | 745,87            | –    | 25     | 75,0  | 54,0 | 1,5  | 51,0 | 1,5                | 170             | 48,00 | PHP 168-14M-40TB |

<sup>1)</sup> Mass does not include bushings.

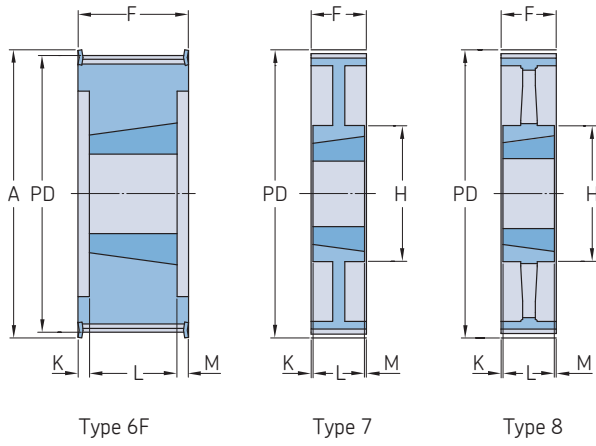
# HiTD pulleys

## 14 mm pitch taper bushed

| Pitch  | Belt width | Pitch diameter | Number of teeth | Pulley type | Bushing number | Dimensions        |      |        |       |       |      |       |      |      | Mass <sup>1)</sup> | Designation       |       |                  |
|--------|------------|----------------|-----------------|-------------|----------------|-------------------|------|--------|-------|-------|------|-------|------|------|--------------------|-------------------|-------|------------------|
|        |            |                |                 |             |                | Outer diameter OD | A    | B Min. | Max.  | F     | K    | L     | M    | H    |                    |                   |       |                  |
| mm     |            | PD             |                 |             |                | mm                |      |        |       |       |      |       |      |      | kg                 |                   |       |                  |
| 14     | 40         | 855,62         | 192             | 8           | 3020           | 852,82            | –    | 25     | 75,0  | 54,0  | 1,5  | 51,0  | 1,5  | 170  | 53,00              | PHP 192-14M-40TB  |       |                  |
|        |            | 962,56         | 216             | 8           | 3020           | 960,00            | –    | 25     | 75,0  | 54,0  | 1,5  | 51,0  | 1,5  | 170  | 60,00              | PHP 216-14M-40TB  |       |                  |
| 14     | 55         | 124,78         | 28              | 6F          | 2012           | 122,12            | 141  | 14     | 50,0  | 70,0  | 19,0 | 32,0  | 19,0 | –    | 2,88               | PHP 28-14M-55TB   |       |                  |
|        |            | 129,23         | 29              | 6F          | 2012           | 126,57            | 141  | 14     | 50,0  | 70,0  | 19,0 | 32,0  | 19,0 | –    | 3,18               | PHP 29-14M-55TB   |       |                  |
|        |            | 133,69         | 30              | 6F          | 2517           | 130,99            | 156  | 16     | 60,0  | 70,0  | 12,5 | 45,0  | 12,5 | –    | 3,21               | PHP 30-14M-55TB   |       |                  |
|        |            | 142,60         | 32              | 6F          | 2517           | 139,88            | 156  | 16     | 60,0  | 70,0  | 12,5 | 45,0  | 12,5 | –    | 3,90               | PHP 32-14M-55TB   |       |                  |
|        |            | 151,51         | 34              | 6F          | 2517           | 148,79            | 165  | 16     | 60,0  | 70,0  | 12,5 | 45,0  | 12,5 | –    | 4,55               | PHP 34-14M-55TB   |       |                  |
|        |            | 155,97         | 35              | 6F          | 2517           | 153,18            | 173  | 16     | 60,0  | 70,0  | 12,5 | 45,0  | 12,5 | –    | 4,88               | PHP 35-14M-55TB   |       |                  |
|        |            | 160,43         | 36              | 6F          | 2517           | 157,68            | 173  | 16     | 60,0  | 70,0  | 12,5 | 45,0  | 12,5 | –    | 5,20               | PHP 36-14M-55TB   |       |                  |
|        |            | 169,34         | 38              | 6F          | 2517           | 166,60            | 182  | 16     | 60,0  | 70,0  | 12,5 | 45,0  | 12,5 | –    | 6,20               | PHP 38-14M-55TB   |       |                  |
|        |            | 178,25         | 40              | 6F          | 2517           | 175,49            | 191  | 16     | 60,0  | 70,0  | 12,5 | 45,0  | 12,5 | –    | 7,00               | PHP 40-14M-55TB   |       |                  |
|        |            | 187,17         | 42              | 6F          | 3020           | 184,37            | 209  | 25     | 75,0  | 70,0  | 9,5  | 51,0  | 9,5  | –    | 7,80               | PHP 42-14M-55TB   |       |                  |
|        |            | 196,08         | 44              | 6F          | 3020           | 193,28            | 209  | 25     | 75,0  | 70,0  | 9,5  | 51,0  | 9,5  | –    | 8,42               | PHP 44-14M-55TB   |       |                  |
|        |            | 200,54         | 45              | 6F          | 3020           | 197,74            | 227  | 25     | 75,0  | 70,0  | 9,5  | 51,0  | 9,5  | –    | 9,51               | PHP 45-14M-55TB   |       |                  |
|        |            | 213,90         | 48              | 6F          | 3020           | 211,11            | 227  | 25     | 75,0  | 70,0  | 9,5  | 51,0  | 9,5  | –    | 10,64              | PHP 48-14M-55TB   |       |                  |
|        |            | 228,82         | 50              | 6F          | 3020           | 220,02            | 246  | 25     | 75,0  | 70,0  | 9,5  | 51,0  | 9,5  | –    | 11,52              | PHP 50-14M-55TB   |       |                  |
|        |            | 249,55         | 56              | 6F          | 3020           | 246,76            | 264  | 25     | 75,0  | 70,0  | 9,5  | 51,0  | 9,5  | –    | 12,40              | PHP 56-14M-55TB   |       |                  |
|        |            | 267,38         | 60              | 7F          | 3020           | 264,59            | 281  | 25     | 75,0  | 70,0  | 9,5  | 51,0  | 9,5  | 170  | 14,00              | PHP 60-14M-55TB   |       |                  |
|        |            | 285,21         | 64              | 7F          | 3020           | 282,41            | 298  | 25     | 75,0  | 70,0  | 9,5  | 51,0  | 9,5  | 170  | 15,18              | PHP 64-14M-55TB   |       |                  |
|        |            | 320,86         | 72              | 7           | 3020           | 318,06            | –    | 25     | 75,0  | 70,0  | 9,5  | 51,0  | 9,5  | 170  | 20,00              | PHP 72-14M-55TB   |       |                  |
|        |            | 356,51         | 80              | 8           | 3020           | 353,71            | –    | 25     | 75,0  | 70,0  | 9,5  | 51,0  | 9,5  | 170  | 22,50              | PHP 80-14M-55TB   |       |                  |
|        |            | 401,07         | 90              | 8           | 3020           | 398,28            | –    | 25     | 75,0  | 70,0  | 9,5  | 51,0  | 9,5  | 170  | 25,00              | PHP 90-14M-55TB   |       |                  |
|        |            | 499,11         | 112             | 8           | 3020           | 496,32            | –    | 25     | 75,0  | 70,0  | 9,5  | 51,0  | 9,5  | 170  | 33,40              | PHP 112-14M-55TB  |       |                  |
|        |            | 641,71         | 144             | 8           | 3020           | 638,92            | –    | 25     | 75,0  | 70,0  | 9,5  | 51,0  | 9,5  | 170  | 46,50              | PHP 144-14M-55TB  |       |                  |
|        |            | 748,66         | 168             | 8           | 3020           | 745,87            | –    | 25     | 75,0  | 70,0  | 9,5  | 51,0  | 9,5  | 170  | 58,50              | PHP 168-14M-55TB  |       |                  |
|        |            | 855,62         | 192             | 8           | 3020           | 852,82            | –    | 25     | 75,0  | 70,0  | 9,5  | 51,0  | 9,5  | 170  | 62,00              | PHP 192-14M-55TB  |       |                  |
|        |            | 962,56         | 216             | 10          | 3535           | 960,00            | –    | 35     | 90,0  | 70,0  | 9,5  | 51,0  | 9,5  | 190  | 74,80              | PHP 216-14M-55TB  |       |                  |
|        |            | 14             | 85              | 124,78      | 28             | 6F                | 2517 | 122,12 | 141   | 16    | 60,0 | 102,0 | 28,5 | 45,0 | 28,5               | –                 | 2,70  | PHP 28-14M-85TB  |
|        |            |                |                 | 129,23      | 29             | 6F                | 2517 | 126,57 | 141   | 16    | 60,0 | 102,0 | 28,5 | 45,0 | 28,5               | –                 | 3,40  | PHP 29-14M-85TB  |
|        |            |                |                 | 133,69      | 30             | 6F                | 2517 | 130,99 | 156   | 16    | 60,0 | 102,0 | 28,5 | 45,0 | 28,5               | –                 | 3,75  | PHP 30-14M-85TB  |
|        |            |                |                 | 142,60      | 32             | 6F                | 2517 | 139,88 | 156   | 16    | 60,0 | 102,0 | 28,5 | 45,0 | 28,5               | –                 | 4,80  | PHP 32-14M-85TB  |
|        |            |                |                 | 151,51      | 34             | 6F                | 2517 | 148,79 | 165   | 16    | 60,0 | 102,0 | 28,5 | 45,0 | 28,5               | –                 | 6,00  | PHP 34-14M-85TB  |
|        |            |                |                 | 155,97      | 35             | 6F                | 2517 | 153,18 | 173   | 16    | 75,0 | 102,0 | 25,5 | 51,0 | 25,5               | –                 | 6,33  | PHP 35-14M-85TB  |
|        |            |                |                 | 160,43      | 36             | 6F                | 3020 | 157,68 | 173   | 25    | 75,0 | 102,0 | 25,5 | 51,0 | 25,5               | –                 | 6,67  | PHP 36-14M-85TB  |
|        |            |                |                 | 169,34      | 38             | 6F                | 3020 | 166,60 | 182   | 25    | 75,0 | 102,0 | 25,5 | 51,0 | 25,5               | –                 | 6,80  | PHP 38-14M-85TB  |
|        |            |                |                 | 178,25      | 40             | 6F                | 3020 | 175,49 | 191   | 25    | 75,0 | 102,0 | 25,5 | 51,0 | 25,5               | –                 | 8,00  | PHP 40-14M-85TB  |
|        |            |                |                 | 181,17      | 42             | 6F                | 3020 | 184,37 | 209   | 25    | 75,0 | 102,0 | 13,0 | 76,0 | 13,0               | –                 | 9,90  | PHP 42-14M-85TB  |
|        |            |                |                 | 196,08      | 44             | 6F                | 3020 | 193,28 | 209   | 25    | 75,0 | 102,0 | 13,0 | 76,0 | 13,0               | –                 | 11,80 | PHP 44-14M-85TB  |
| 200,54 | 45         |                |                 | 6F          | 3020           | 197,74            | 227  | 25     | 75,0  | 102,0 | 13,0 | 76,0  | 13,0 | –    | 12,63              | PHP 45-14M-85TB   |       |                  |
| 213,90 | 48         |                |                 | 6F          | 3020           | 211,11            | 227  | 25     | 75,0  | 102,0 | 13,0 | 76,0  | 13,0 | –    | 15,10              | PHP 48-14M-85TB   |       |                  |
| 222,82 | 50         |                |                 | 6F          | 3535           | 220,02            | 246  | 35     | 90,0  | 102,0 | 18,5 | 65,0  | 18,5 | –    | 16,08              | PHP 50-14M-85TB   |       |                  |
| 249,55 | 56         |                |                 | 6F          | 3535           | 246,76            | 264  | 35     | 90,0  | 102,0 | 18,5 | 65,0  | 18,5 | –    | 19,00              | PHP 56-14M-85TB   |       |                  |
| 267,38 | 60         |                |                 | 6F          | 3535           | 264,59            | 281  | 35     | 90,0  | 102,0 | 18,5 | 65,0  | 18,5 | –    | 21,00              | PHP 60-14M-85TB   |       |                  |
| 285,21 | 64         |                |                 | 7F          | 3535           | 282,41            | 298  | 35     | 90,0  | 102,0 | 18,5 | 65,0  | 18,5 | 190  | 23,00              | PHP 64-14M-85TB   |       |                  |
| 320,86 | 72         |                |                 | 7           | 3535           | 318,06            | –    | 35     | 90,0  | 102,0 | 18,5 | 65,0  | 18,5 | 190  | 25,00              | PHP 72-14M-85TB   |       |                  |
| 356,51 | 80         |                |                 | 8           | 3535           | 353,71            | –    | 35     | 90,0  | 102,0 | 18,5 | 65,0  | 18,5 | 190  | 26,00              | PHP 80-14M-85TB   |       |                  |
| 401,07 | 90         |                |                 | 8           | 3535           | 398,28            | –    | 35     | 90,0  | 102,0 | 18,5 | 65,0  | 18,5 | 190  | 27,80              | PHP 90-14M-85TB   |       |                  |
| 499,11 | 112        |                |                 | 8           | 3535           | 496,32            | –    | 35     | 90,0  | 102,0 | 18,5 | 65,0  | 18,5 | 190  | 36,50              | PHP 112-14M-85TB  |       |                  |
| 641,71 | 144        |                |                 | 8           | 4040           | 638,92            | –    | 40     | 100,0 | 102,0 | 18,5 | 65,0  | 18,5 | 230  | 48,00              | PHP 144-14M-85TB  |       |                  |
| 748,66 | 168        |                |                 | 8           | 4040           | 745,87            | –    | 40     | 100,0 | 102,0 | 18,5 | 65,0  | 18,5 | 230  | 60,00              | PHP 168-14M-85TB  |       |                  |
| 855,62 | 192        |                |                 | 8           | 4040           | 852,82            | –    | 40     | 100,0 | 102,0 | –    | 102,0 | –    | 230  | 86,00              | PHP 192-14M-85TB  |       |                  |
| 962,56 | 216        |                |                 | 8           | 4040           | 960,00            | –    | 40     | 100,0 | 102,0 | –    | 102,0 | –    | 230  | 119,50             | PHP 216-14M-85TB  |       |                  |
| 14     | 115        |                |                 | 124,78      | 28             | 6F                | 2517 | 122,12 | 141   | 16    | 60,0 | 133,0 | 44,0 | 45,0 | 44,0               | –                 | 3,77  | PHP 28-14M-115TB |
|        |            |                |                 | 129,23      | 29             | 6F                | 2517 | 126,57 | 141   | 16    | 60,0 | 133,0 | 44,0 | 45,0 | 44,0               | –                 | 4,00  | PHP 29-14M-115TB |
|        |            |                |                 | 133,69      | 30             | 6F                | 2517 | 130,99 | 156   | 16    | 60,0 | 133,0 | 44,0 | 45,0 | 44,0               | –                 | 5,00  | PHP 30-14M-115TB |
|        |            |                |                 | 142,60      | 32             | 6F                | 2517 | 139,88 | 156   | 16    | 60,0 | 133,0 | 44,0 | 45,0 | 44,0               | –                 | 6,00  | PHP 32-14M-115TB |
|        |            |                |                 | 151,52      | 34             | 6F                | 2517 | 148,79 | 165   | 16    | 60,0 | 133,0 | 44,0 | 45,0 | 44,0               | –                 | 7,20  | PHP 34-14M-115TB |
|        |            |                |                 | 155,97      | 35             | 6F                | 3020 | 153,18 | 173   | 25    | 75,0 | 133,0 | 41,0 | 51,0 | 41,0               | –                 | 7,00  | PHP 35-14M-115TB |
|        |            |                |                 | 160,43      | 36             | 6F                | 3020 | 157,68 | 173   | 25    | 75,0 | 133,0 | 41,0 | 51,0 | 41,0               | –                 | 7,30  | PHP 36-14M-115TB |
|        |            |                |                 | 169,34      | 38             | 6F                | 3020 | 166,60 | 182   | 25    | 75,0 | 133,0 | 41,0 | 51,0 | 41,0               | –                 | 8,40  | PHP 38-14M-115TB |
|        |            |                |                 | 178,25      | 40             | 6F                | 3020 | 175,49 | 191   | 25    | 75,0 | 133,0 | 41,0 | 51,0 | 41,0               | –                 | 9,20  | PHP 40-14M-115TB |
|        |            |                |                 | 187,17      | 42             | 6F                | 3030 | 184,37 | 209   | 35    | 75,0 | 133,0 | 28,5 | 76,0 | 28,5               | –                 | 11,60 | PHP 42-14M-115TB |
|        |            |                |                 | 196,08      | 44             | 6F                | 3030 | 193,28 | 209   | 35    | 75,0 | 133,0 | 28,5 | 76,0 | 28,5               | –                 | 14,00 | PHP 44-14M-115TB |
|        |            | 200,54         | 45              | 6F          | 3030           | 197,74            | 227  | 35     | 75,0  | 133,0 | 28,5 | 76,0  | 28,5 | –    | 15,60              | PHP 45-14M-115TB  |       |                  |
|        |            | 213,90         | 48              | 6F          | 3030           | 211,11            | 227  | 35     | 75,0  | 133,0 | 28,5 | 76,0  | 28,5 | –    | 17,10              | PHP 48-14M-115TB  |       |                  |
|        |            | 222,82         | 50              | 6F          | 3535           | 220,02            | 246  | 35     | 90,0  | 133,0 | 22,0 | 89,0  | 22,0 | –    | 21,00              | PHP 50-14M-115TB  |       |                  |
|        |            | 249,55         | 56              | 6F          | 3535           | 246,76            | 264  | 35     | 90,0  | 133,0 | 22,0 | 89,0  | 22,0 | –    | 24,80              | PHP 56-14M-115TB  |       |                  |
|        |            | 267,38         | 60              | 6F          | 3535           | 264,59            | 281  | 35     | 90,0  | 133,0 | 22,0 | 89,0  | 22,0 | –    | 25,90              | PHP 60-14M-115TB  |       |                  |
|        |            | 285,21         | 64              | 7F          | 3535           | 282,41            | 298  | 35     | 90,0  | 133,0 | 22,0 | 89,0  | 22,0 | 190  | 27,00              | PHP 64-14M-115TB  |       |                  |
|        |            | 320,86         | 72              | 7           | 3535           | 318,06            | –    | 35     | 90,0  | 133,0 | 22,0 | 89,0  | 22,0 | 190  | 33,00              | PHP 72-14M-115TB  |       |                  |
|        |            | 356,51         | 80              | 7           | 3535           | 353,71            | –    | 35     | 90,0  | 133,0 | 22,0 | 89,0  | 22,0 | 190  | 37,00              | PHP 80-14M-115TB  |       |                  |
|        |            | 401,07         | 90              | 7           | 3535           | 398,28            | –    | 35     | 90,0  | 133,0 | 22,0 | 89,0  | 22,0 | 190  | 42,00              | PHP 90-14M-115TB  |       |                  |
|        |            | 499,11         | 112             | 8           | 3535           | 496,32            | –    | 35     | 90,0  | 133,0 | 22,0 | 89,0  | 22,0 | 190  | 56,00              | PHP 112-14M-115TB |       |                  |

<sup>1)</sup> Mass does not include bushings.

**HiTD pulleys**  
14 mm pitch taper bushed



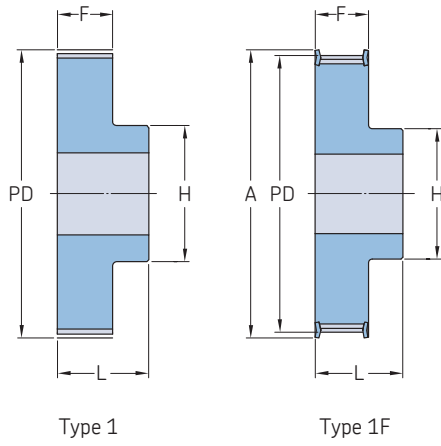
| Pitch | Belt width | Pitch diameter<br>PD | Number of teeth | Pulley type | Bushing number | Dimensions           |     |      |       |       |      |       |      | Mass <sup>1)</sup> | Designation |                   |
|-------|------------|----------------------|-----------------|-------------|----------------|----------------------|-----|------|-------|-------|------|-------|------|--------------------|-------------|-------------------|
|       |            |                      |                 |             |                | Outer diameter<br>OD | A   | B    |       | F     | K    | L     | M    |                    |             | H                 |
| mm    |            |                      |                 |             | mm             |                      |     | Min. | Max.  |       |      |       |      |                    |             |                   |
| 14    | 115        | 641,71               | 144             | 8           | 4040           | 638,92               | –   | 40   | 100,0 | 133,0 | 15,5 | 102,0 | 15,5 | 230                | 75,00       | PHP 144-14M-115TB |
|       |            | 748,66               | 168             | 8           | 4040           | 745,87               | –   | 40   | 100,0 | 133,0 | 15,5 | 102,0 | 15,5 | 230                | 92,60       | PHP 168-14M-115TB |
|       |            | 855,62               | 192             | 8           | 4040           | 852,92               | –   | 40   | 100,0 | 133,0 | 15,5 | 102,0 | 15,5 | 230                | 230,00      | PHP 192-14M-115TB |
|       |            | 962,57               | 216             | 8           | 4040           | 959,76               | –   | 40   | 100,0 | 133,0 | 15,5 | 102,0 | 15,5 | 230                | 127,00      | PHP 216-14M-115TB |
| 14    | 170        | 155,97               | 35              | 6F          | 3030           | 153,18               | 173 | 35   | 75,0  | 187,0 | 55,5 | 76,0  | 55,5 | –                  | 10,60       | PHP 35-14M-170TB  |
|       |            | 160,43               | 36              | 6F          | 3030           | 157,68               | 173 | 35   | 75,0  | 187,0 | 55,5 | 76,0  | 55,5 | –                  | 11,20       | PHP 36-14M-170TB  |
|       |            | 169,34               | 38              | 6F          | 3030           | 167,00               | 182 | 35   | 75,0  | 187,0 | 55,5 | 76,0  | 55,5 | –                  | 11,70       | PHP 38-14M-170TB  |
|       |            | 178,25               | 40              | 6F          | 3030           | 175,00               | 191 | 35   | 75,0  | 187,0 | 55,5 | 76,0  | 55,5 | –                  | 13,00       | PHP 40-14M-170TB  |
|       |            | 187,17               | 42              | 6F          | 3535           | 184,37               | 202 | 35   | 90,0  | 187,0 | 49,0 | 89,0  | 49,0 | –                  | 14,00       | PHP 42-14M-170TB  |
|       |            | 196,08               | 44              | 6F          | 3535           | 193,00               | 209 | 35   | 90,0  | 187,0 | 49,0 | 89,0  | 49,0 | –                  | 15,00       | PHP 44-14M-170TB  |
|       |            | 200,54               | 45              | 6F          | 3535           | 197,74               | 212 | 35   | 90,0  | 187,0 | 49,0 | 89,0  | 49,0 | –                  | 16,00       | PHP 45-14M-170TB  |
|       |            | 213,90               | 48              | 6F          | 3535           | 211,00               | 227 | 35   | 90,0  | 187,0 | 49,0 | 89,0  | 49,0 | –                  | 19,00       | PHP 48-14M-170TB  |
|       |            | 222,82               | 50              | 6F          | 3535           | 220,02               | 246 | 35   | 90,0  | 187,0 | 49,0 | 89,0  | 49,0 | –                  | 23,80       | PHP 50-14M-170TB  |
|       |            | 249,55               | 56              | 6F          | 3535           | 247,00               | 263 | 35   | 90,0  | 187,0 | 49,0 | 89,0  | 49,0 | –                  | 28,50       | PHP 56-14M-170TB  |
|       |            | 267,38               | 60              | 6F          | 4040           | 264,59               | 281 | 40   | 100,0 | 187,0 | 42,5 | 114,0 | 42,5 | –                  | 34,80       | PHP 60-14M-170TB  |
|       |            | 285,21               | 64              | 6F          | 4040           | 282,00               | 298 | 40   | 100,0 | 187,0 | 42,5 | 114,0 | 42,5 | 230                | 41,00       | PHP 64-14M-170TB  |
|       |            | 320,86               | 72              | 7           | 4040           | 318,00               | –   | 40   | 100,0 | 187,0 | 42,5 | 114,0 | 42,5 | 230                | 46,90       | PHP 72-14M-170TB  |
|       |            | 356,51               | 80              | 7           | 4040           | 354,00               | –   | 40   | 100,0 | 187,0 | 42,5 | 114,0 | 42,5 | 230                | 48,00       | PHP 80-14M-170TB  |
|       |            | 401,07               | 90              | 7           | 4040           | 398,00               | –   | 40   | 100,0 | 187,0 | 42,5 | 114,0 | 42,5 | 230                | 52,50       | PHP 90-14M-170TB  |
|       |            | 499,11               | 112             | 7           | 5050           | 496,00               | –   | 70   | 125,0 | 187,0 | 30,0 | 127,0 | 30,0 | 242                | 74,50       | PHP 112-14M-170TB |
|       |            | 641,71               | 144             | 8           | 5050           | 639,00               | –   | 70   | 125,0 | 187,0 | 30,0 | 127,0 | 30,0 | 394                | 91,00       | PHP 144-14M-170TB |
|       |            | 748,86               | 168             | 8           | 5050           | 746,00               | –   | 70   | 125,0 | 187,0 | 30,0 | 127,0 | 30,0 | 394                | 116,00      | PHP 168-14M-170TB |
|       |            | 855,62               | 192             | 8           | 5050           | 853,00               | –   | 70   | 125,0 | 187,0 | 30,0 | 127,0 | 30,0 | 394                | 134,00      | PHP 192-14M-170TB |
|       |            | 962,57               | 216             | 8           | 5050           | 960,00               | –   | 70   | 125,0 | 187,0 | 30,0 | 127,0 | 30,0 | 394                | 146,50      | PHP 216-14M-170TB |

<sup>1)</sup> Mass does not include bushings.



# Classical timing pulleys

XL Pilot bore (RSB) | L Pilot bore (RSB)

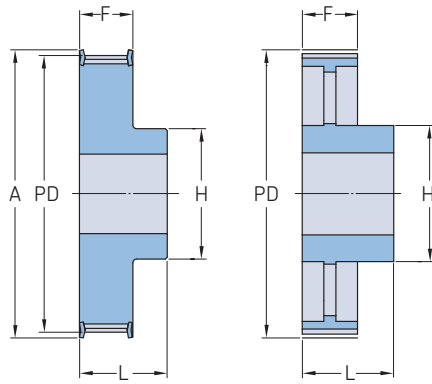


| Section | Belt width  | Pitch diameter<br>PD | Number of teeth | Pulley type | Dimensions           |       |           |      |      |      |      | Mass           | Designation    |
|---------|-------------|----------------------|-----------------|-------------|----------------------|-------|-----------|------|------|------|------|----------------|----------------|
|         |             |                      |                 |             | Outer diameter<br>OD | A     | B<br>Min. | Max. | H    | F    | L    |                |                |
| -       | mm          | -                    | -               | -           | mm                   | -     | -         | -    | -    | -    | kg   | -              |                |
| XL      | 6,4 and 9,5 | 16,17                | 10              | 1F          | 15,67                | 23    | 5         | 5    | 9,5  | 14,3 | 19,8 | 0,02           | PHP 10XL037RSB |
|         |             | 17,79                | 11              | 1F          | 17,29                | 23    | 5         | 5    | 9,5  | 14,3 | 19,8 | 0,02           | PHP 11XL037RSB |
|         |             | 19,40                | 12              | 1F          | 18,90                | 25    | 5         | 8    | 12,7 | 14,3 | 19,8 | 0,03           | PHP 12XL037RSB |
|         |             | 21,02                | 13              | 1F          | 20,52                | 25    | 6         | 8    | 12,7 | 14,3 | 19,8 | 0,03           | PHP 13XL037RSB |
|         |             | 22,64                | 14              | 1F          | 22,14                | 28    | 6         | 9    | 14,3 | 14,3 | 19,8 | 0,04           | PHP 14XL037RSB |
|         |             | 24,26                | 15              | 1F          | 23,76                | 28    | 6         | 11   | 15,9 | 14,3 | 19,8 | 0,04           | PHP 15XL037RSB |
|         |             | 25,87                | 16              | 1F          | 25,37                | 32    | 6         | 12   | 17,5 | 14,3 | 19,8 | 0,05           | PHP 16XL037RSB |
|         |             | 27,49                | 17              | 1F          | 26,99                | 36    | 6         | 13   | 20,0 | 14,3 | 19,8 | 0,05           | PHP 17XL037RSB |
|         |             | 29,11                | 18              | 1F          | 28,61                | 36    | 6         | 13   | 20,6 | 14,3 | 19,8 | 0,06           | PHP 18XL037RSB |
|         |             | 30,72                | 19              | 1F          | 30,22                | 36    | 6         | 13   | 20,6 | 14,3 | 19,8 | 0,07           | PHP 19XL037RSB |
|         |             | 32,34                | 20              | 1F          | 31,84                | 38    | 6         | 15   | 23,8 | 14,3 | 22,2 | 0,08           | PHP 20XL037RSB |
|         |             | 33,96                | 21              | 1F          | 33,46                | 38    | 6         | 15   | 23,8 | 14,3 | 22,2 | 0,09           | PHP 21XL037RSB |
|         |             | 35,57                | 22              | 1F          | 35,07                | 42    | 6         | 16   | 25,4 | 14,3 | 22,2 | 0,10           | PHP 22XL037RSB |
|         |             | 38,81                | 24              | 1F          | 38,31                | 44    | 6         | 18   | 27,0 | 14,3 | 22,2 | 0,12           | PHP 24XL037RSB |
|         | 42,04       | 26                   | 1F              | 41,54       | 48                   | 6     | 20        | 30,0 | 14,3 | 22,2 | 0,14 | PHP 26XL037RSB |                |
|         | 43,66       | 27                   | 1F              | 43,16       | 48                   | 6     | 20        | 30,0 | 14,3 | 22,2 | 0,15 | PHP 27XL037RSB |                |
|         | 45,28       | 28                   | 1F              | 44,78       | 51                   | 6     | 20        | 30,2 | 14,3 | 22,2 | 0,16 | PHP 28XL037RSB |                |
|         | 46,89       | 29                   | 1F              | 46,39       | 51                   | 6     | 20        | 30,2 | 14,3 | 22,2 | 0,17 | PHP 29XL037RSB |                |
|         | 48,51       | 30                   | 1F              | 48,01       | 54                   | 6     | 24        | 34,9 | 14,3 | 22,2 | 0,19 | PHP 30XL037RSB |                |
|         | 51,74       | 32                   | 1               | 51,24       | 57                   | 8     | 25        | 40,0 | 14,3 | 25,4 | 0,11 | PHP 32XL037RSB |                |
|         | 54,98       | 34                   | 1               | 54,48       | -                    | 8     | 25        | 38,0 | 14,3 | 25,4 | 0,11 | PHP 34XL037RSB |                |
|         | 56,60       | 35                   | 1               | 56,10       | -                    | 8     | 25        | 38,0 | 14,3 | 25,4 | 0,12 | PHP 35XL037RSB |                |
|         | 58,21       | 36                   | 1               | 57,71       | -                    | 8     | 30        | 45,0 | 14,3 | 25,4 | 0,13 | PHP 36XL037RSB |                |
|         | 61,45       | 38                   | 1               | 60,95       | -                    | 8     | 30        | 45,0 | 14,3 | 25,4 | 0,15 | PHP 38XL037RSB |                |
|         | 64,68       | 40                   | 1               | 64,18       | -                    | 8     | 30        | 45,0 | 14,3 | 25,4 | 0,17 | PHP 40XL037RSB |                |
|         | 67,91       | 42                   | 1               | 67,41       | -                    | 8     | 30        | 45,0 | 14,3 | 25,4 | 0,20 | PHP 42XL037RSB |                |
|         | 71,15       | 44                   | 1               | 70,65       | -                    | 8     | 30        | 45,0 | 14,3 | 25,4 | 0,15 | PHP 44XL037RSB |                |
|         | 72,77       | 45                   | 1               | 72,27       | -                    | 8     | 30        | 45,0 | 14,3 | 25,4 | 0,15 | PHP 45XL037RSB |                |
|         | 77,62       | 48                   | 1               | 77,12       | -                    | 8     | 30        | 45,0 | 14,3 | 25,4 | 0,16 | PHP 48XL037RSB |                |
|         | 97,02       | 60                   | 1               | 96,52       | -                    | 8     | 30        | 45,0 | 14,3 | 25,4 | 0,18 | PHP 60XL037RSB |                |
|         | 116,43      | 72                   | 1               | 115,93      | -                    | 8     | 30        | 45,0 | 14,3 | 25,4 | 0,23 | PHP 72XL037RSB |                |
|         | L           | 12,7                 | 30,32           | 10          | 1F                   | 29,56 | 36        | 6    | 14   | 22,0 | 19,0 | 26,0           | 0,11           |
| 33,35   |             |                      | 11              | 1F          | 32,59                | 39    | 6         | 14   | 22,0 | 19,0 | 26,0 | 0,13           | PHP 11L050RSB  |
| 36,38   |             |                      | 12              | 1F          | 35,62                | 42    | 6         | 20   | 28,0 | 19,0 | 30,0 | 0,19           | PHP 12L050RSB  |
| 39,41   |             |                      | 13              | 1F          | 38,65                | 45    | 6         | 20   | 28,0 | 19,0 | 30,0 | 0,21           | PHP 13L050RSB  |
| 42,45   |             |                      | 14              | 1F          | 41,69                | 48    | 8         | 20   | 28,0 | 19,0 | 30,0 | 0,23           | PHP 14L050RSB  |
| 45,48   |             |                      | 15              | 1F          | 44,72                | 51    | 8         | 23   | 32,0 | 19,0 | 30,0 | 0,27           | PHP 15L050RSB  |
| 48,51   |             |                      | 16              | 1F          | 47,75                | 54    | 8         | 24   | 36,0 | 19,0 | 32,0 | 0,34           | PHP 16L050RSB  |
| 51,54   |             |                      | 17              | 1F          | 50,78                | 57    | 10        | 24   | 38,0 | 19,0 | 32,0 | 0,38           | PHP 17L050RSB  |
| 54,57   |             |                      | 18              | 1F          | 53,81                | 60    | 10        | 27   | 40,0 | 19,0 | 32,0 | 0,41           | PHP 18L050RSB  |
| 57,61   |             |                      | 19              | 1F          | 56,85                | 63    | 10        | 27   | 40,0 | 19,0 | 32,0 | 0,45           | PHP 19L050RSB  |
| 60,64   |             |                      | 20              | 1F          | 59,88                | 66    | 10        | 30   | 46,0 | 19,0 | 32,0 | 0,50           | PHP 20L050RSB  |
| 63,67   |             |                      | 21              | 1F          | 62,91                | 69    | 10        | 30   | 46,0 | 19,0 | 32,0 | 0,55           | PHP 21L050RSB  |
| 66,70   |             |                      | 22              | 1F          | 65,94                | 72    | 10        | 33   | 50,0 | 19,0 | 32,0 | 0,62           | PHP 22L050RSB  |
| 69,73   |             |                      | 23              | 1F          | 68,97                | 78    | 10        | 33   | 50,0 | 19,0 | 26,0 | 0,65           | PHP 23L050RSB  |
| 72,77   |             | 24                   | 1F              | 72,01       | 78                   | 12    | 33        | 50,0 | 19,0 | 26,0 | 0,68 | PHP 24L050RSB  |                |
| 75,80   |             | 25                   | 1F              | 75,04       | 85                   | 12    | 33        | 50,0 | 19,0 | 26,0 | 0,74 | PHP 25L050RSB  |                |
| 78,83   |             | 26                   | 1F              | 78,07       | 85                   | 12    | 33        | 50,0 | 19,0 | 26,0 | 0,82 | PHP 26L050RSB  |                |
| 81,86   |             | 27                   | 1F              | 81,10       | 91                   | 12    | 33        | 50,0 | 19,0 | 26,0 | 0,85 | PHP 27L050RSB  |                |
| 84,89   |             | 28                   | 1F              | 84,13       | 91                   | 12    | 33        | 50,0 | 19,0 | 26,0 | 0,92 | PHP 28L050RSB  |                |
| 87,93   |             | 29                   | 1F              | 87,17       | 91                   | 12    | 33        | 50,0 | 19,0 | 26,0 | 1,00 | PHP 29L050RSB  |                |
| 90,96   |             | 30                   | 1F              | 90,20       | 97                   | 12    | 33        | 50,0 | 19,0 | 26,0 | 1,10 | PHP 30L050RSB  |                |
| 93,99   |             | 31                   | 1F              | 93,23       | 103                  | 12    | 33        | 50,0 | 19,0 | 26,0 | 1,14 | PHP 31L050RSB  |                |

All XL pulleys are made from aluminium with 2 set screws at 90°. Where keyway is required, reduce maximum bore by twice keyway depth.

# Classical timing pulleys

L Pilot bore (RSB)



Type 1F

Type 5

| Section | Belt width | Pitch diameter | Number of teeth | Pulley type | Dimensions        |     |        |      |      |      | Mass | Designation |               |      |               |
|---------|------------|----------------|-----------------|-------------|-------------------|-----|--------|------|------|------|------|-------------|---------------|------|---------------|
|         |            |                |                 |             | Outer diameter OD | A   | B Min. | Max. | H    | F    |      |             | L             |      |               |
| -       | mm         |                | -               | -           | mm                |     |        |      |      |      | kg   | -           |               |      |               |
| L       | 12,7       | 97,02          | 32              | 1F          | 96,26             | 103 | 12     | 33   | 50,0 | 19,0 | 26,0 | 1,19        | PHP 32L050RSB |      |               |
|         |            | 100,05         | 33              | 1F          | 99,29             | 106 | 12     | 33   | 50,0 | 19,0 | 26,0 | 1,25        | PHP 33L050RSB |      |               |
|         |            | 103,08         | 34              | 1F          | 102,32            | 115 | 12     | 33   | 50,0 | 19,0 | 26,0 | 1,31        | PHP 34L050RSB |      |               |
|         |            | 106,12         | 35              | 1F          | 105,36            | 115 | 12     | 33   | 50,0 | 19,0 | 26,0 | 1,37        | PHP 35L050RSB |      |               |
|         |            | 109,15         | 36              | 1F          | 108,39            | 115 | 12     | 33   | 50,0 | 19,0 | 26,0 | 1,40        | PHP 36L050RSB |      |               |
|         |            | 115,21         | 38              | 1F          | 114,45            | 127 | 12     | 33   | 50,0 | 19,0 | 26,0 | 1,22        | PHP 38L050RSB |      |               |
|         |            | 121,28         | 40              | 1F          | 120,52            | 127 | 12     | 33   | 50,0 | 19,0 | 26,0 | 1,26        | PHP 40L050RSB |      |               |
|         |            | 127,34         | 42              | 1F          | 126,58            | 139 | 12     | 33   | 50,0 | 19,0 | 26,0 | 1,31        | PHP 42L050RSB |      |               |
|         |            | 133,40         | 44              | 1F          | 132,64            | 139 | 12     | 33   | 50,0 | 19,0 | 28,0 | 1,43        | PHP 44L050RSB |      |               |
|         |            | 136,44         | 45              | 1F          | 135,68            | 152 | 12     | 33   | 50,0 | 19,0 | 28,0 | 1,49        | PHP 45L050RSB |      |               |
|         |            | 145,53         | 48              | 1F          | 144,77            | 152 | 12     | 33   | 50,0 | 19,0 | 28,0 | 1,55        | PHP 48L050RSB |      |               |
|         |            | 151,60         | 50              | 5           | 150,84            | -   | 12     | 33   | 50,0 | 19,0 | 28,0 | 1,66        | PHP 50L050RSB |      |               |
|         |            | 157,66         | 52              | 5           | 156,90            | -   | 12     | 33   | 50,0 | 19,0 | 28,0 | 1,85        | PHP 52L050RSB |      |               |
|         |            | 169,79         | 56              | 5           | 169,03            | -   | 12     | 33   | 50,0 | 19,0 | 28,0 | 1,97        | PHP 56L050RSB |      |               |
|         |            | 172,82         | 57              | 5           | 172,06            | -   | 12     | 33   | 50,0 | 19,0 | 28,0 | 2,09        | PHP 57L050RSB |      |               |
|         |            | 191,91         | 60              | 5           | 191,15            | -   | 15     | 45   | 50,0 | 19,0 | 42,0 | 2,30        | PHP 60L050RSB |      |               |
|         |            | 218,30         | 72              | 5           | 217,54            | -   | 15     | 45   | 75,0 | 19,0 | 42,0 | 2,50        | PHP 72L050RSB |      |               |
|         |            | 230,43         | 76              | 5           | 229,67            | -   | 15     | 45   | 75,0 | 19,0 | 42,0 | 2,70        | PHP 76L050RSB |      |               |
|         |            | 254,68         | 84              | 5           | 253,92            | -   | 15     | 45   | 75,0 | 19,0 | 42,0 | 2,90        | PHP 84L050RSB |      |               |
|         |            | 283,03         | 95              | 5           | 282,27            | -   | 15     | 45   | 75,0 | 19,0 | 42,0 | 3,10        | PHP 95L050RSB |      |               |
|         |            | 291,06         | 96              | 5           | 290,30            | -   | 15     | 45   | 75,0 | 19,0 | 42,0 | 3,30        | PHP 96L050RSB |      |               |
|         |            | L              | 19,1            | 30,32       | 10                | 1F  | 29,56  | 36   | 6    | 14   | 22,0 | 25,4        | 32,0          | 0,15 | PHP 10L075RSB |
|         |            |                |                 | 33,35       | 11                | 1F  | 32,59  | 39   | 6    | 14   | 22,0 | 25,4        | 32,0          | 0,20 | PHP 11L075RSB |
|         |            |                |                 | 36,38       | 12                | 1F  | 35,62  | 42   | 8    | 20   | 28,0 | 25,4        | 38,0          | 0,23 | PHP 12L075RSB |
|         |            |                |                 | 39,41       | 13                | 1F  | 38,65  | 45   | 8    | 20   | 28,0 | 25,4        | 38,0          | 0,26 | PHP 13L075RSB |
|         |            |                |                 | 42,45       | 14                | 1F  | 41,69  | 48   | 8    | 20   | 28,0 | 25,4        | 38,0          | 0,28 | PHP 14L075RSB |
| 45,48   | 15         |                |                 | 1F          | 44,72             | 51  | 8      | 23   | 32,0 | 25,4 | 38,0 | 0,36        | PHP 15L075RSB |      |               |
| 48,51   | 16         |                |                 | 1F          | 47,75             | 54  | 8      | 24   | 36,0 | 25,4 | 41,0 | 0,45        | PHP 16L075RSB |      |               |
| 51,54   | 17         |                |                 | 1F          | 50,78             | 57  | 10     | 24   | 38,0 | 25,4 | 41,0 | 0,50        | PHP 17L075RSB |      |               |
| 54,57   | 18         |                |                 | 1F          | 53,81             | 60  | 10     | 27   | 40,0 | 25,4 | 41,0 | 0,55        | PHP 18L075RSB |      |               |
| 57,61   | 19         |                |                 | 1F          | 56,85             | 63  | 10     | 27   | 40,0 | 25,4 | 41,0 | 0,60        | PHP 19L075RSB |      |               |
| 60,64   | 20         |                |                 | 1F          | 59,88             | 66  | 10     | 30   | 46,0 | 25,4 | 41,0 | 0,65        | PHP 20L075RSB |      |               |
| 63,67   | 21         |                |                 | 1F          | 62,91             | 69  | 10     | 30   | 46,0 | 25,4 | 41,0 | 0,70        | PHP 21L075RSB |      |               |
| 66,70   | 22         |                |                 | 1F          | 65,94             | 72  | 10     | 33   | 50,0 | 25,4 | 41,0 | 0,75        | PHP 22L075RSB |      |               |
| 69,73   | 23         |                |                 | 1F          | 68,97             | 78  | 10     | 33   | 50,0 | 25,4 | 32,0 | 0,81        | PHP 23L075RSB |      |               |
| 72,77   | 24         |                |                 | 1F          | 72,01             | 79  | 12     | 33   | 50,0 | 25,4 | 32,0 | 0,85        | PHP 24L075RSB |      |               |
| 75,80   | 25         |                |                 | 1F          | 75,04             | 85  | 12     | 33   | 50,0 | 25,4 | 32,0 | 0,94        | PHP 25L075RSB |      |               |
| 78,83   | 26         |                |                 | 1F          | 78,07             | 85  | 12     | 33   | 50,0 | 25,4 | 32,0 | 1,02        | PHP 26L075RSB |      |               |
| 81,86   | 27         |                |                 | 1F          | 81,10             | 91  | 12     | 33   | 50,0 | 25,4 | 32,0 | 1,09        | PHP 27L075RSB |      |               |
| 84,89   | 28         |                |                 | 1F          | 84,13             | 91  | 12     | 33   | 50,0 | 25,4 | 32,0 | 1,20        | PHP 28L075RSB |      |               |
| 87,93   | 29         |                |                 | 1F          | 87,17             | 91  | 12     | 33   | 50,0 | 25,4 | 32,0 | 1,33        | PHP 29L075RSB |      |               |
| 90,96   | 30         |                |                 | 1F          | 90,20             | 97  | 12     | 33   | 50,0 | 25,4 | 32,0 | 1,33        | PHP 30L075RSB |      |               |
| 93,99   | 31         |                |                 | 1F          | 93,23             | 103 | 12     | 33   | 50,0 | 25,4 | 32,0 | 1,39        | PHP 31L075RSB |      |               |
| 97,02   | 32         |                |                 | 1F          | 96,26             | 103 | 12     | 33   | 50,0 | 25,4 | 32,0 | 1,45        | PHP 32L075RSB |      |               |
| 100,05  | 33         |                |                 | 1F          | 99,29             | 106 | 12     | 33   | 50,0 | 25,4 | 32,0 | 1,56        | PHP 33L075RSB |      |               |
| 103,08  | 34         |                |                 | 1F          | 102,32            | 115 | 12     | 33   | 50,0 | 25,4 | 32,0 | 1,70        | PHP 34L075RSB |      |               |
| 106,12  | 35         |                |                 | 1F          | 105,36            | 115 | 12     | 33   | 50,0 | 25,4 | 32,0 | 1,78        | PHP 35L075RSB |      |               |
| 109,15  | 36         |                |                 | 1F          | 108,39            | 115 | 12     | 36   | 55,0 | 25,4 | 32,0 | 1,50        | PHP 36L075RSB |      |               |
| 115,21  | 38         |                |                 | 1F          | 114,45            | 127 | 12     | 36   | 55,0 | 25,4 | 32,0 | 1,63        | PHP 38L075RSB |      |               |
| 121,28  | 40         |                |                 | 1F          | 120,52            | 127 | 12     | 40   | 60,0 | 25,4 | 32,0 | 1,79        | PHP 40L075RSB |      |               |
| 127,34  | 42         |                |                 | 1F          | 126,58            | 139 | 12     | 40   | 60,0 | 25,4 | 32,0 | 1,95        | PHP 42L075RSB |      |               |
| 133,40  | 44         |                |                 | 1F          | 132,64            | 139 | 12     | 40   | 60,0 | 25,4 | 35,0 | 2,05        | PHP 44L075RSB |      |               |
| 136,44  | 45         |                |                 | 1F          | 135,68            | 152 | 12     | 40   | 60,0 | 25,4 | 35,0 | 2,10        | PHP 45L075RSB |      |               |

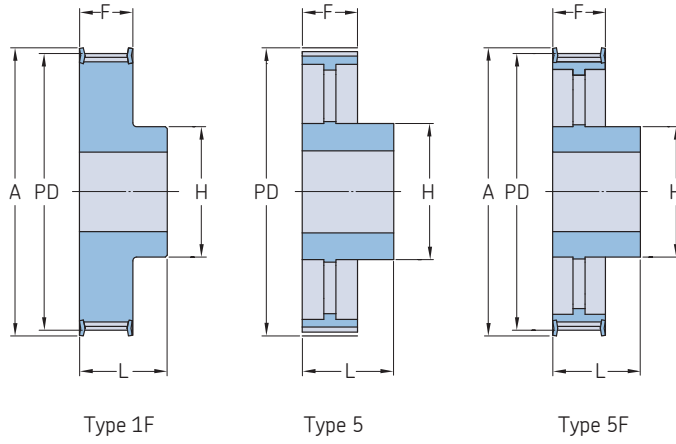
# Classical timing pulleys

L Pilot bore (RSB) | H Pilot bore (RSB)

| Section | Belt width | Pitch diameter | Number of teeth | Pulley type | Dimensions        |       |        |       |      |      | Mass           | Designation    |               |               |
|---------|------------|----------------|-----------------|-------------|-------------------|-------|--------|-------|------|------|----------------|----------------|---------------|---------------|
|         |            |                |                 |             | Outer diameter OD | A     | B Min. | Max.  | H    | F    |                |                | L             |               |
| -       | mm         | PD             | -               | -           | mm                |       |        |       |      |      | kg             | -              |               |               |
| L       | 19,1       | 145,53         | 48              | 1F          | 144,77            | 152   | 12     | 40    | 60,0 | 25,4 | 35,0           | 2,15           | PHP 48L075RSB |               |
|         |            | 151,60         | 50              | 5           | 150,84            | -     | 12     | 40    | 60,0 | 25,4 | 35,0           | 2,25           | PHP 50L075RSB |               |
|         |            | 157,66         | 52              | 5           | 156,90            | -     | 12     | 40    | 60,0 | 25,4 | 35,0           | 2,55           | PHP 52L075RSB |               |
|         |            | 169,79         | 56              | 5           | 169,03            | -     | 12     | 40    | 60,0 | 25,4 | 35,0           | 2,78           | PHP 56L075RSB |               |
|         |            | 172,82         | 57              | 5           | 172,06            | -     | 12     | 40    | 60,0 | 25,4 | 35,0           | 2,91           | PHP 57L075RSB |               |
|         |            | 181,91         | 60              | 5           | 181,15            | -     | 15     | 45    | 75,0 | 25,4 | 45,0           | 3,10           | PHP 60L075RSB |               |
|         |            | 218,30         | 72              | 5           | 217,54            | -     | 15     | 45    | 75,0 | 25,4 | 45,0           | 3,29           | PHP 72L075RSB |               |
|         |            | 230,43         | 76              | 5           | 229,67            | -     | 15     | 45    | 75,0 | 25,4 | 45,0           | 3,48           | PHP 76L075RSB |               |
|         |            | 254,67         | 84              | 5           | 253,91            | -     | 15     | 45    | 75,0 | 25,4 | 45,0           | 3,67           | PHP 84L075RSB |               |
|         |            | 283,03         | 95              | 5           | 282,27            | -     | 15     | 45    | 75,0 | 25,4 | 45,0           | 3,76           | PHP 95L075RSB |               |
|         | 291,06     | 96             | 5               | 290,30      | -                 | 15    | 45     | 75,0  | 25,4 | 45,0 | 3,85           | PHP 96L075RSB  |               |               |
|         | 363,83     | 120            | 5               | 363,07      | -                 | 15    | 70     | 120,0 | 25,4 | 45,0 | 4,50           | PHP 120L075RSB |               |               |
|         | L          | 25,4           | 30,32           | 10          | 1F                | 29,56 | 36     | 6     | 14   | 22,0 | 32,0           | 38,0           | 0,18          | PHP 10L100RSB |
|         |            |                | 33,35           | 11          | 1F                | 32,59 | 39     | 6     | 14   | 22,0 | 32,0           | 38,0           | 0,20          | PHP 11L100RSB |
|         |            |                | 36,38           | 12          | 1F                | 35,62 | 42     | 8     | 20   | 28,0 | 32,0           | 45,0           | 0,25          | PHP 12L100RSB |
|         |            |                | 39,41           | 13          | 1F                | 38,65 | 45     | 8     | 20   | 28,0 | 32,0           | 45,0           | 0,30          | PHP 13L100RSB |
|         |            |                | 42,45           | 14          | 1F                | 41,69 | 48     | 8     | 20   | 28,0 | 32,0           | 45,0           | 0,34          | PHP 14L100RSB |
|         |            |                | 45,48           | 15          | 1F                | 44,72 | 51     | 8     | 23   | 32,0 | 32,0           | 45,0           | 0,40          | PHP 15L100RSB |
|         |            |                | 48,51           | 16          | 1F                | 47,75 | 54     | 8     | 24   | 36,0 | 32,0           | 45,0           | 0,48          | PHP 16L100RSB |
|         |            |                | 51,54           | 17          | 1F                | 50,78 | 57     | 10    | 24   | 38,0 | 32,0           | 45,0           | 0,57          | PHP 17L100RSB |
| 54,57   |            |                | 18              | 1F          | 53,81             | 60    | 10     | 27    | 40,0 | 32,0 | 45,0           | 0,62           | PHP 18L100RSB |               |
| 57,61   |            |                | 19              | 1F          | 56,85             | 63    | 10     | 27    | 40,0 | 32,0 | 45,0           | 0,69           | PHP 19L100RSB |               |
| 60,64   |            |                | 20              | 1F          | 59,88             | 66    | 10     | 30    | 46,0 | 32,0 | 45,0           | 0,76           | PHP 20L100RSB |               |
| 63,67   |            |                | 21              | 1F          | 62,91             | 69    | 10     | 30    | 46,0 | 32,0 | 45,0           | 0,82           | PHP 21L100RSB |               |
| 66,70   |            |                | 22              | 1F          | 65,94             | 72    | 10     | 33    | 50,0 | 32,0 | 45,0           | 0,92           | PHP 22L100RSB |               |
| 69,73   |            |                | 23              | 1F          | 68,97             | 75    | 10     | 33    | 50,0 | 32,0 | 38,0           | 0,98           | PHP 23L100RSB |               |
| 72,77   |            |                | 24              | 1F          | 72,01             | 78    | 12     | 33    | 50,0 | 32,0 | 38,0           | 1,06           | PHP 24L100RSB |               |
| 75,80   |            |                | 25              | 1F          | 75,04             | 81    | 12     | 33    | 50,0 | 32,0 | 38,0           | 1,14           | PHP 25L100RSB |               |
| 78,83   |            |                | 26              | 1F          | 78,07             | 84    | 12     | 33    | 50,0 | 32,0 | 38,0           | 1,24           | PHP 26L100RSB |               |
| 81,86   |            |                | 27              | 1F          | 81,10             | 87    | 12     | 33    | 50,0 | 32,0 | 38,0           | 1,33           | PHP 27L100RSB |               |
| 84,89   |            |                | 28              | 1F          | 84,13             | 90    | 12     | 33    | 50,0 | 32,0 | 38,0           | 1,40           | PHP 28L100RSB |               |
| 87,93   |            |                | 29              | 1F          | 87,17             | 93    | 12     | 33    | 50,0 | 32,0 | 38,0           | 1,70           | PHP 29L100RSB |               |
| 90,96   |            | 30             | 1F              | 90,20       | 96                | 12    | 33     | 50,0  | 32,0 | 38,0 | 1,70           | PHP 30L100RSB  |               |               |
| 97,02   |            | 32             | 1F              | 96,26       | 103               | 12    | 33     | 50,0  | 32,0 | 38,0 | 1,80           | PHP 32L100RSB  |               |               |
| 100,05  |            | 33             | 1F              | 99,29       | 106               | 12    | 33     | 50,0  | 32,0 | 38,0 | 1,92           | PHP 33L100RSB  |               |               |
| 103,08  |            | 34             | 1F              | 102,32      | 110               | 12    | 33     | 50,0  | 32,0 | 38,0 | 2,09           | PHP 34L100RSB  |               |               |
| 106,12  |            | 35             | 1F              | 105,36      | 115               | 12    | 33     | 50,0  | 32,0 | 38,0 | 2,19           | PHP 35L100RSB  |               |               |
| 109,15  |            | 36             | 1F              | 108,39      | 115               | 12    | 36     | 55,0  | 32,0 | 32,0 | 1,50           | PHP 36L100RSB  |               |               |
| 115,21  |            | 38             | 1F              | 114,45      | 127               | 12    | 36     | 55,0  | 32,0 | 32,0 | 1,77           | PHP 38L100RSB  |               |               |
| 121,28  |            | 40             | 1F              | 120,52      | 127               | 12    | 40     | 60,0  | 32,0 | 32,0 | 1,90           | PHP 40L100RSB  |               |               |
| 127,34  |            | 42             | 1F              | 126,58      | 139               | 12    | 40     | 60,0  | 32,0 | 32,0 | 2,11           | PHP 42L100RSB  |               |               |
| 133,40  |            | 44             | 1F              | 132,64      | 139               | 12    | 40     | 60,0  | 32,0 | 35,0 | 2,30           | PHP 44L100RSB  |               |               |
| 136,44  |            | 45             | 1F              | 135,68      | 152               | 12    | 40     | 60,0  | 32,0 | 35,0 | 2,40           | PHP 45L100RSB  |               |               |
| 145,53  |            | 48             | 1F              | 144,77      | 152               | 12    | 40     | 60,0  | 32,0 | 35,0 | 2,49           | PHP 48L100RSB  |               |               |
| 151,60  |            | 50             | 5               | 150,84      | -                 | 12    | 40     | 60,0  | 32,0 | 35,0 | 2,68           | PHP 50L100RSB  |               |               |
| 157,66  |            | 52             | 5               | 156,90      | -                 | 12    | 40     | 60,0  | 32,0 | 35,0 | 2,87           | PHP 52L100RSB  |               |               |
| 169,79  |            | 56             | 5               | 169,03      | -                 | 12    | 40     | 60,0  | 32,0 | 35,0 | 3,06           | PHP 56L100RSB  |               |               |
| 172,82  |            | 57             | 5               | 172,06      | -                 | 12    | 40     | 60,0  | 32,0 | 35,0 | 3,25           | PHP 57L100RSB  |               |               |
| 191,91  |            | 60             | 5               | 191,15      | -                 | 15    | 45     | 75,0  | 32,0 | 45,0 | 3,44           | PHP 60L100RSB  |               |               |
| 218,30  |            | 72             | 5               | 217,54      | -                 | 15    | 45     | 75,0  | 32,0 | 45,0 | 3,63           | PHP 72L100RSB  |               |               |
| 230,43  |            | 76             | 5               | 229,67      | -                 | 15    | 45     | 75,0  | 32,0 | 45,0 | 3,82           | PHP 76L100RSB  |               |               |
| 254,68  |            | 84             | 5               | 253,92      | -                 | 15    | 45     | 75,0  | 32,0 | 45,0 | 4,01           | PHP 84L100RSB  |               |               |
| 283,03  | 95         | 5              | 282,27          | -           | 15                | 45    | 75,0   | 32,0  | 45,0 | 4,11 | PHP 95L100RSB  |                |               |               |
| 291,06  | 96         | 5              | 290,30          | -           | 15                | 45    | 75,0   | 32,0  | 45,0 | 4,20 | PHP 96L100RSB  |                |               |               |
| 363,83  | 120        | 5              | 363,07          | -           | 15                | 70    | 120,0  | 32,0  | 45,0 | 5,00 | PHP 120L100RSB |                |               |               |
| H       | 19,1       | 56,60          | 14              | 1F          | 55,23             | 63    | 10     | 27    | 40,0 | 27,0 | 40,0           | 0,50           | PHP 14H075RSB |               |
|         |            | 60,64          | 15              | 1F          | 59,27             | 67    | 10     | 30    | 46,0 | 27,0 | 40,0           | 0,55           | PHP 15H075RSB |               |
|         |            | 64,68          | 16              | 1F          | 63,31             | 71    | 10     | 30    | 45,0 | 27,0 | 40,0           | 0,60           | PHP 16H075RSB |               |
|         |            | 68,72          | 17              | 1F          | 67,35             | 75    | 10     | 30    | 46,0 | 27,0 | 40,0           | 0,70           | PHP 17H075RSB |               |
|         |            | 72,77          | 18              | 1F          | 71,40             | 79    | 12     | 36    | 55,0 | 27,0 | 40,0           | 0,80           | PHP 18H075RSB |               |
|         |            | 76,81          | 19              | 1F          | 75,44             | 83    | 12     | 40    | 60,0 | 27,0 | 40,0           | 1,00           | PHP 19H075RSB |               |
|         |            | 80,85          | 20              | 1F          | 79,48             | 87    | 12     | 41    | 62,0 | 27,0 | 40,0           | 1,10           | PHP 20H075RSB |               |
|         |            | 84,89          | 21              | 1F          | 83,52             | 91    | 12     | 43    | 67,0 | 27,0 | 40,0           | 1,20           | PHP 21H075RSB |               |
|         |            | 88,94          | 22              | 1F          | 87,57             | 95    | 12     | 45    | 70,0 | 27,0 | 40,0           | 1,40           | PHP 22H075RSB |               |
|         |            | 92,98          | 23              | 1F          | 91,61             | 98    | 12     | 46    | 72,0 | 27,0 | 40,0           | 1,50           | PHP 23H075RSB |               |
|         | 97,02      | 24             | 1F              | 95,65       | 103               | 12    | 47     | 75,0  | 27,0 | 40,0 | 1,60           | PHP 24H075RSB  |               |               |
|         | 101,06     | 25             | 1F              | 99,69       | 107               | 12    | 47     | 75,0  | 27,0 | 40,0 | 1,70           | PHP 25H075RSB  |               |               |
|         | 105,11     | 26             | 1F              | 103,74      | 111               | 15    | 54     | 80,0  | 27,0 | 40,0 | 1,80           | PHP 26H075RSB  |               |               |
|         | 109,15     | 27             | 1F              | 107,78      | 115               | 15    | 54     | 80,0  | 27,0 | 40,0 | 1,90           | PHP 27H075RSB  |               |               |
|         | 113,19     | 28             | 1F              | 111,82      | 119               | 15    | 54     | 80,0  | 27,0 | 40,0 | 2,00           | PHP 28H075RSB  |               |               |
|         | 117,23     | 29             | 1F              | 115,86      | 123               | 15    | 54     | 80,0  | 27,0 | 40,0 | 2,05           | PHP 29H075RSB  |               |               |
|         | 121,28     | 30             | 1F              | 119,91      | 127               | 15    | 54     | 80,0  | 27,0 | 40,0 | 2,10           | PHP 30H075RSB  |               |               |
|         | 125,32     | 31             | 1F              | 123,95      | 131               | 15    | 54     | 80,0  | 27,0 | 40,0 | 2,15           | PHP 31H075RSB  |               |               |

# Classical timing pulleys

H Pilot bore (RSB)



| Section | Belt width | Pitch diameter<br>PD | Number of teeth | Pulley type | Dimensions<br>Outer diameter<br>OD | Dimensions |           |      |      |       | Mass           | Designation   |               |               |
|---------|------------|----------------------|-----------------|-------------|------------------------------------|------------|-----------|------|------|-------|----------------|---------------|---------------|---------------|
|         |            |                      |                 |             |                                    | A          | B<br>Min. | Max. | H    | F     |                |               | L             |               |
| -       | mm         | -                    | -               | -           | mm                                 | -          | -         | -    | -    | -     | kg             | -             |               |               |
| H       | 19,1       | 129,36               | 32              | 1F          | 127,99                             | 135        | 15        | 54   | 80,0 | 27,0  | 40,0           | 2,20          | PHP 32H075RSB |               |
|         |            | 133,40               | 33              | 1F          | 132,03                             | 142        | 15        | 54   | 80,0 | 27,0  | 40,0           | 2,25          | PHP 33H075RSB |               |
|         |            | 137,45               | 34              | 1F          | 136,08                             | 142        | 15        | 54   | 80,0 | 27,0  | 40,0           | 2,30          | PHP 34H075RSB |               |
|         |            | 141,49               | 35              | 1F          | 140,12                             | 151        | 15        | 54   | 80,0 | 27,0  | 40,0           | 2,35          | PHP 35H075RSB |               |
|         |            | 145,53               | 36              | 1F          | 144,16                             | 151        | 20        | 54   | 80,0 | 27,0  | 40,0           | 2,40          | PHP 36H075RSB |               |
|         |            | 153,62               | 38              | 1F          | 152,25                             | 158        | 20        | 54   | 80,0 | 27,0  | 40,0           | 2,60          | PHP 38H075RSB |               |
|         | 161,70     | 40                   | 1F              | 160,33      | 168                                | 20         | 54        | 80,0 | 27,0 | 40,0  | 2,80           | PHP 40H075RSB |               |               |
|         | 169,79     | 42                   | 1F              | 168,42      | 184                                | 20         | 54        | 80,0 | 27,0 | 40,0  | 2,90           | PHP 42H075RSB |               |               |
|         | 177,87     | 44                   | 5F              | 176,50      | 184                                | 20         | 48        | 80,0 | 27,0 | 40,0  | 2,70           | PHP 44H075RSB |               |               |
|         | 181,91     | 45                   | 5F              | 180,54      | 192                                | 20         | 54        | 90,0 | 27,0 | 45,0  | 2,85           | PHP 45H075RSB |               |               |
|         | 194,04     | 48                   | 5F              | 192,67      | 200                                | 20         | 54        | 90,0 | 27,0 | 45,0  | 3,00           | PHP 48H075RSB |               |               |
|         | 202,13     | 50                   | 5               | 200,76      | -                                  | 20         | 54        | 90,0 | 27,0 | 45,0  | 3,25           | PHP 50H075RSB |               |               |
|         | H          | 19,1 and 25,4        | 56,60           | 14          | 1F                                 | 55,23      | 63        | 10   | 27   | 40,0  | 33,3           | 45,0          | 0,65          | PHP 14H100RSB |
|         |            |                      | 60,64           | 15          | 1F                                 | 59,27      | 67        | 10   | 30   | 46,0  | 33,3           | 45,0          | 0,75          | PHP 15H100RSB |
|         |            |                      | 64,67           | 16          | 1F                                 | 63,30      | 71        | 10   | 30   | 46,0  | 33,3           | 45,0          | 0,85          | PHP 16H100RSB |
|         |            |                      | 68,72           | 17          | 1F                                 | 67,35      | 75        | 10   | 30   | 46,0  | 33,3           | 45,0          | 0,97          | PHP 17H100RSB |
|         |            |                      | 72,77           | 18          | 1F                                 | 71,40      | 79        | 12   | 30   | 55,0  | 33,3           | 45,0          | 1,10          | PHP 18H100RSB |
|         |            |                      | 76,81           | 19          | 1F                                 | 75,44      | 83        | 12   | 36   | 60,0  | 33,3           | 45,0          | 1,20          | PHP 19H100RSB |
| 80,85   |            |                      | 20              | 1F          | 79,48                              | 87         | 12        | 41   | 62,0 | 33,3  | 45,0           | 1,40          | PHP 20H100RSB |               |
| 84,89   |            |                      | 21              | 1F          | 83,52                              | 91         | 12        | 43   | 67,0 | 33,3  | 45,0           | 1,60          | PHP 21H100RSB |               |
| 88,94   |            |                      | 22              | 1F          | 87,57                              | 95         | 12        | 45   | 70,0 | 33,3  | 45,0           | 1,70          | PHP 22H100RSB |               |
| 92,98   |            |                      | 23              | 1F          | 91,61                              | 98         | 12        | 46   | 72,0 | 33,3  | 45,0           | 1,83          | PHP 23H100RSB |               |
| 97,03   |            |                      | 24              | 1F          | 95,66                              | 103        | 12        | 47   | 75,0 | 33,3  | 45,0           | 1,95          | PHP 24H100RSB |               |
| 101,06  |            |                      | 25              | 1F          | 99,69                              | 107        | 12        | 47   | 75,0 | 33,3  | 45,0           | 2,19          | PHP 25H100RSB |               |
| 105,11  |            |                      | 26              | 1F          | 103,74                             | 111        | 15        | 54   | 80,0 | 33,3  | 45,0           | 2,43          | PHP 26H100RSB |               |
| 109,15  |            |                      | 27              | 1F          | 107,78                             | 115        | 15        | 54   | 80,0 | 33,3  | 45,0           | 2,57          | PHP 27H100RSB |               |
| 113,18  |            |                      | 28              | 1F          | 111,81                             | 119        | 15        | 54   | 80,0 | 33,3  | 45,0           | 2,70          | PHP 28H100RSB |               |
| 117,23  |            |                      | 29              | 1F          | 115,86                             | 123        | 15        | 54   | 80,0 | 33,3  | 45,0           | 2,95          | PHP 29H100RSB |               |
| 121,29  |            |                      | 30              | 1F          | 119,92                             | 127        | 15        | 54   | 80,0 | 33,3  | 45,0           | 3,20          | PHP 30H100RSB |               |
| 125,32  |            |                      | 31              | 1F          | 123,95                             | 131        | 15        | 54   | 80,0 | 33,3  | 45,0           | 3,35          | PHP 31H100RSB |               |
| 129,36  |            |                      | 32              | 1F          | 127,99                             | 135        | 20        | 54   | 80,0 | 33,3  | 45,0           | 3,50          | PHP 32H100RSB |               |
| 133,40  |            |                      | 33              | 1F          | 132,03                             | 142        | 20        | 54   | 80,0 | 33,3  | 45,0           | 3,78          | PHP 33H100RSB |               |
| 137,45  |            |                      | 34              | 1F          | 136,08                             | 142        | 20        | 54   | 80,0 | 33,3  | 45,0           | 4,05          | PHP 34H100RSB |               |
| 141,49  |            |                      | 35              | 1F          | 140,12                             | 151        | 20        | 54   | 80,0 | 33,3  | 45,0           | 4,35          | PHP 35H100RSB |               |
| 145,53  |            |                      | 36              | 1F          | 144,16                             | 151        | 20        | 54   | 80,0 | 33,3  | 45,0           | 4,65          | PHP 36H100RSB |               |
| 153,62  |            |                      | 38              | 1F          | 152,25                             | 158        | 20        | 54   | 80,0 | 33,3  | 45,0           | 4,98          | PHP 38H100RSB |               |
| 161,70  |            |                      | 40              | 1F          | 160,33                             | 168        | 20        | 54   | 80,0 | 33,3  | 45,0           | 5,30          | PHP 40H100RSB |               |
| 169,79  |            |                      | 42              | 1F          | 168,42                             | 184        | 20        | 54   | 80,0 | 33,3  | 45,0           | 5,50          | PHP 42H100RSB |               |
| 177,87  |            |                      | 44              | 5F          | 176,50                             | 184        | 20        | 48   | 80,0 | 33,3  | 50,0           | 4,00          | PHP 44H100RSB |               |
| 181,91  |            |                      | 45              | 5F          | 180,54                             | 192        | 20        | 54   | 80,0 | 33,3  | 50,0           | 4,25          | PHP 45H100RSB |               |
| 194,03  |            |                      | 48              | 5F          | 192,66                             | 200        | 20        | 54   | 90,0 | 33,3  | 50,0           | 4,50          | PHP 48H100RSB |               |
| 202,13  |            |                      | 50              | 5           | 200,76                             | -          | 20        | 54   | 90,0 | 33,3  | 50,0           | 4,94          | PHP 50H100RSB |               |
| 210,21  | 52         | 5                    | 208,84          | -           | 20                                 | 54         | 90,0      | 33,3 | 50,0 | 5,38  | PHP 52H100RSB  |               |               |               |
| 230,42  | 57         | 5                    | 229,05          | -           | 20                                 | 54         | 90,0      | 33,3 | 50,0 | 5,82  | PHP 57H100RSB  |               |               |               |
| 234,47  | 58         | 5                    | 233,10          | -           | 20                                 | 54         | 90,0      | 33,3 | 50,0 | 5,82  | PHP 58H100RSB  |               |               |               |
| 242,55  | 60         | 5                    | 241,18          | -           | 20                                 | 70         | 120,0     | 33,3 | 50,0 | 6,25  | PHP 60H100RSB  |               |               |               |
| 282,98  | 70         | 5                    | 281,61          | -           | 20                                 | 70         | 120,0     | 33,3 | 55,0 | 7,55  | PHP 70H100RSB  |               |               |               |
| 291,06  | 72         | 5                    | 289,69          | -           | 20                                 | 70         | 120,0     | 33,3 | 55,0 | 8,85  | PHP 72H100RSB  |               |               |               |
| 307,23  | 76         | 5                    | 305,86          | -           | 20                                 | 70         | 120,0     | 33,3 | 55,0 | 9,43  | PHP 76H100RSB  |               |               |               |
| 339,57  | 84         | 5                    | 338,20          | -           | 20                                 | 70         | 120,0     | 33,3 | 55,0 | 10,00 | PHP 84H100RSB  |               |               |               |
| 388,08  | 96         | 5                    | 386,71          | -           | 24                                 | 70         | 120,0     | 33,3 | 60,0 | 10,48 | PHP 96H100RSB  |               |               |               |
| 485,10  | 120        | 5                    | 483,73          | -           | 24                                 | 70         | 120,0     | 33,3 | 60,0 | 13,10 | PHP 120H100RSB |               |               |               |
| 630,63  | 156        | 5                    | 629,26          | -           | 24                                 | 70         | 130,0     | 33,3 | 60,0 | 17,20 | PHP 156H100RSB |               |               |               |

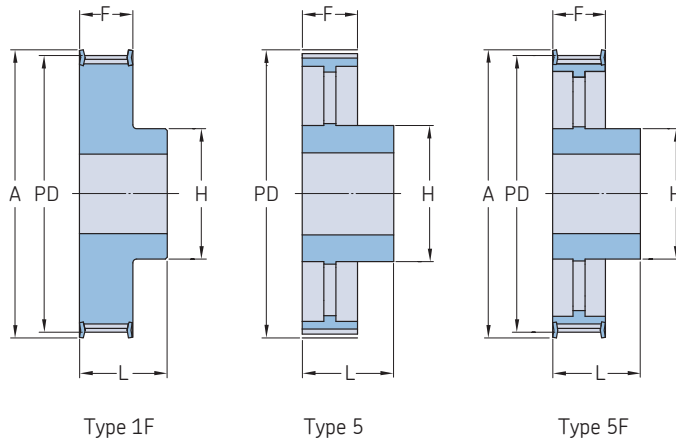
# Classical timing pulleys

H Pilot bore (RSB)

| Section | Belt width | Pitch diameter | Number of teeth | Pulley type | Dimensions        |     |        |      |       |      |      | Mass  | Designation    |      |               |
|---------|------------|----------------|-----------------|-------------|-------------------|-----|--------|------|-------|------|------|-------|----------------|------|---------------|
|         |            |                |                 |             | Outer diameter OD | A   | B Min. | Max. | H     | F    | L    |       |                |      |               |
| -       | mm         | PD             | -               | -           | mm                |     |        |      |       |      |      | kg    | -              |      |               |
| H       | 38,1       | 56,60          | 14              | 1F          | 55,23             | 63  | 12     | 27   | 40,0  | 46,0 | 58,0 | 0,82  | PHP 14H150RSB  |      |               |
|         |            | 60,64          | 15              | 1F          | 59,27             | 67  | 12     | 30   | 46,0  | 46,0 | 58,0 | 0,96  | PHP 15H150RSB  |      |               |
|         |            | 64,67          | 16              | 1F          | 63,30             | 71  | 12     | 30   | 46,0  | 46,0 | 58,0 | 1,10  | PHP 16H150RSB  |      |               |
|         |            | 68,72          | 17              | 1F          | 67,35             | 75  | 12     | 30   | 46,0  | 46,0 | 58,0 | 1,30  | PHP 17H150RSB  |      |               |
|         |            | 72,77          | 18              | 1F          | 71,40             | 79  | 12     | 30   | 55,0  | 46,0 | 58,0 | 1,50  | PHP 18H150RSB  |      |               |
|         |            | 76,81          | 19              | 1F          | 75,44             | 83  | 12     | 36   | 60,0  | 46,0 | 58,0 | 1,70  | PHP 19H150RSB  |      |               |
|         |            | 80,85          | 20              | 1F          | 79,48             | 87  | 12     | 41   | 62,0  | 46,0 | 58,0 | 1,80  | PHP 20H150RSB  |      |               |
|         |            | 84,89          | 21              | 1F          | 83,52             | 91  | 12     | 43   | 67,0  | 46,0 | 58,0 | 2,20  | PHP 21H150RSB  |      |               |
|         |            | 88,94          | 22              | 1F          | 87,57             | 95  | 12     | 45   | 70,0  | 46,0 | 58,0 | 2,30  | PHP 22H150RSB  |      |               |
|         |            | 92,98          | 23              | 1F          | 91,61             | 98  | 12     | 46   | 72,0  | 46,0 | 58,0 | 2,45  | PHP 23H150RSB  |      |               |
|         |            | 97,03          | 24              | 1F          | 95,66             | 103 | 12     | 47   | 75,0  | 46,0 | 58,0 | 2,60  | PHP 24H150RSB  |      |               |
|         |            | 101,06         | 25              | 1F          | 99,69             | 107 | 12     | 47   | 75,0  | 46,0 | 58,0 | 2,90  | PHP 25H150RSB  |      |               |
|         |            | 105,11         | 26              | 1F          | 103,74            | 111 | 15     | 54   | 80,0  | 46,0 | 58,0 | 3,20  | PHP 26H150RSB  |      |               |
|         |            | 109,15         | 27              | 1F          | 107,78            | 115 | 15     | 54   | 80,0  | 46,0 | 58,0 | 3,30  | PHP 27H150RSB  |      |               |
|         |            | 113,18         | 28              | 1F          | 111,81            | 119 | 15     | 54   | 80,0  | 46,0 | 58,0 | 3,39  | PHP 28H150RSB  |      |               |
|         |            | 117,23         | 29              | 1F          | 115,86            | 123 | 15     | 54   | 80,0  | 46,0 | 58,0 | 3,75  | PHP 29H150RSB  |      |               |
|         |            | 121,29         | 30              | 1F          | 119,92            | 127 | 15     | 54   | 80,0  | 46,0 | 58,0 | 4,10  | PHP 30H150RSB  |      |               |
|         |            | 125,32         | 31              | 1F          | 123,95            | 131 | 15     | 54   | 80,0  | 46,0 | 58,0 | 4,43  | PHP 31H150RSB  |      |               |
|         |            | 129,36         | 32              | 1F          | 127,99            | 135 | 20     | 54   | 80,0  | 46,0 | 58,0 | 4,77  | PHP 32H150RSB  |      |               |
|         |            | 133,40         | 33              | 1F          | 132,03            | 142 | 20     | 54   | 80,0  | 46,0 | 58,0 | 5,08  | PHP 33H150RSB  |      |               |
|         |            | 137,45         | 34              | 1F          | 136,08            | 142 | 20     | 54   | 80,0  | 46,0 | 58,0 | 5,40  | PHP 34H150RSB  |      |               |
|         |            | 141,49         | 35              | 1F          | 140,12            | 151 | 20     | 54   | 80,0  | 46,0 | 58,0 | 5,71  | PHP 35H150RSB  |      |               |
|         |            | 145,53         | 36              | 1F          | 144,16            | 151 | 20     | 54   | 80,0  | 46,0 | 58,0 | 6,02  | PHP 36H150RSB  |      |               |
|         |            | 153,62         | 38              | 1F          | 152,25            | 158 | 20     | 54   | 80,0  | 46,0 | 58,0 | 6,76  | PHP 38H150RSB  |      |               |
|         |            | 161,70         | 40              | 1F          | 160,33            | 168 | 20     | 54   | 80,0  | 46,0 | 58,0 | 7,50  | PHP 40H150RSB  |      |               |
|         |            | 169,79         | 42              | 1F          | 168,42            | 184 | 20     | 54   | 80,0  | 46,0 | 58,0 | 8,00  | PHP 42H150RSB  |      |               |
|         |            | 177,87         | 44              | 5F          | 176,50            | 184 | 20     | 48   | 80,0  | 46,0 | 58,0 | 5,00  | PHP 44H150RSB  |      |               |
|         |            | 181,91         | 45              | 5F          | 180,54            | 192 | 20     | 48   | 80,0  | 46,0 | 58,0 | 5,05  | PHP 45H150RSB  |      |               |
|         |            | 194,03         | 48              | 5F          | 192,66            | 200 | 20     | 54   | 90,0  | 46,0 | 65,0 | 5,10  | PHP 48H150RSB  |      |               |
|         |            | 202,13         | 50              | 5           | 200,76            | -   | 20     | 54   | 90,0  | 46,0 | 65,0 | 5,75  | PHP 50H150RSB  |      |               |
|         |            | 210,21         | 52              | 5           | 208,84            | -   | 20     | 54   | 90,0  | 46,0 | 65,0 | 6,40  | PHP 52H150RSB  |      |               |
|         |            | 230,43         | 57              | 5           | 229,06            | -   | 20     | 54   | 90,0  | 46,0 | 65,0 | 6,75  | PHP 57H150RSB  |      |               |
|         |            | 234,47         | 58              | 5           | 233,10            | -   | 20     | 54   | 90,0  | 46,0 | 65,0 | 7,05  | PHP 58H150RSB  |      |               |
|         |            | 242,55         | 60              | 5           | 241,18            | -   | 20     | 70   | 120,0 | 46,0 | 65,0 | 7,70  | PHP 60H150RSB  |      |               |
|         |            | 282,98         | 70              | 5           | 281,61            | -   | 20     | 70   | 120,0 | 46,0 | 65,0 | 8,20  | PHP 70H150RSB  |      |               |
|         |            | 291,06         | 72              | 5           | 289,69            | -   | 20     | 70   | 120,0 | 46,0 | 65,0 | 8,70  | PHP 72H150RSB  |      |               |
|         |            | 307,23         | 76              | 5           | 305,86            | -   | 20     | 70   | 120,0 | 46,0 | 65,0 | 9,67  | PHP 76H150RSB  |      |               |
|         |            | 339,57         | 84              | 5           | 338,20            | -   | 20     | 70   | 120,0 | 46,0 | 65,0 | 10,64 | PHP 84H150RSB  |      |               |
|         |            | 388,08         | 96              | 5           | 386,71            | -   | 24     | 70   | 120,0 | 46,0 | 65,0 | 13,40 | PHP 96H150RSB  |      |               |
|         |            | 485,10         | 120             | 5           | 483,73            | -   | 24     | 70   | 120,0 | 46,0 | 65,0 | 15,70 | PHP 120H150RSB |      |               |
|         |            | 630,63         | 156             | 5           | 629,26            | -   | 24     | 70   | 130,0 | 46,0 | 65,0 | 19,10 | PHP 156H150RSB |      |               |
|         |            | H              | 50,8            | 56,60       | 14                | 1F  | 55,23  | 63   | 12    | 27   | 40,0 | 59,5  | 70,0           | 1,25 | PHP 14H200RSB |
|         |            |                |                 | 60,64       | 15                | 1F  | 59,27  | 67   | 12    | 30   | 46,0 | 59,5  | 70,0           | 1,33 | PHP 15H200RSB |
|         |            |                |                 | 64,67       | 16                | 1F  | 63,30  | 71   | 12    | 30   | 46,0 | 59,5  | 70,0           | 1,40 | PHP 16H200RSB |
|         |            |                |                 | 68,72       | 17                | 1F  | 67,35  | 75   | 12    | 30   | 46,0 | 59,5  | 70,0           | 1,67 | PHP 17H200RSB |
|         |            |                |                 | 72,77       | 18                | 1F  | 71,40  | 79   | 12    | 30   | 55,0 | 59,5  | 70,0           | 1,94 | PHP 18H200RSB |
|         |            |                |                 | 76,81       | 19                | 1F  | 75,44  | 83   | 12    | 36   | 60,0 | 59,5  | 70,0           | 2,18 | PHP 19H200RSB |
|         |            |                |                 | 80,85       | 20                | 1F  | 79,48  | 87   | 12    | 41   | 62,0 | 59,5  | 70,0           | 2,43 | PHP 20H200RSB |
|         |            |                |                 | 84,89       | 21                | 1F  | 83,52  | 91   | 12    | 43   | 67,0 | 59,5  | 70,0           | 2,60 | PHP 21H200RSB |
|         |            |                |                 | 88,94       | 22                | 1F  | 87,57  | 95   | 12    | 45   | 70,0 | 59,5  | 70,0           | 2,80 | PHP 22H200RSB |
| 92,98   | 23         |                |                 | 1F          | 91,61             | 98  | 12     | 46   | 72,0  | 59,5 | 70,0 | 2,89  | PHP 23H200RSB  |      |               |
| 97,03   | 24         |                |                 | 1F          | 95,66             | 103 | 12     | 47   | 75,0  | 59,5 | 70,0 | 2,97  | PHP 24H200RSB  |      |               |
| 101,06  | 25         |                |                 | 1F          | 99,69             | 107 | 12     | 47   | 75,0  | 59,5 | 70,0 | 2,89  | PHP 25H200RSB  |      |               |
| 105,11  | 26         |                |                 | 1F          | 103,74            | 111 | 15     | 54   | 80,0  | 59,5 | 70,0 | 3,90  | PHP 26H200RSB  |      |               |
| 109,15  | 27         |                |                 | 1F          | 107,78            | 115 | 15     | 54   | 80,0  | 59,5 | 70,0 | 3,44  | PHP 27H200RSB  |      |               |
| 113,18  | 28         |                |                 | 1F          | 111,81            | 119 | 15     | 54   | 80,0  | 59,5 | 70,0 | 4,60  | PHP 28H200RSB  |      |               |
| 117,23  | 29         |                |                 | 1F          | 115,86            | 123 | 15     | 54   | 80,0  | 59,5 | 70,0 | 4,80  | PHP 29H200RSB  |      |               |
| 121,29  | 30         |                |                 | 1F          | 119,92            | 127 | 15     | 54   | 80,0  | 59,5 | 70,0 | 5,00  | PHP 30H200RSB  |      |               |
| 125,32  | 31         |                |                 | 1F          | 123,95            | 131 | 15     | 54   | 80,0  | 59,5 | 70,0 | 5,47  | PHP 31H200RSB  |      |               |
| 129,36  | 32         |                |                 | 1F          | 127,99            | 135 | 20     | 54   | 80,0  | 59,5 | 70,0 | 5,93  | PHP 32H200RSB  |      |               |
| 133,40  | 33         |                |                 | 1F          | 132,03            | 142 | 20     | 54   | 80,0  | 59,5 | 70,0 | 6,33  | PHP 33H200RSB  |      |               |
| 137,45  | 34         |                |                 | 1F          | 136,08            | 142 | 20     | 54   | 80,0  | 59,5 | 70,0 | 6,73  | PHP 34H200RSB  |      |               |
| 141,49  | 35         |                |                 | 1F          | 140,12            | 151 | 20     | 54   | 80,0  | 59,5 | 70,0 | 7,13  | PHP 35H200RSB  |      |               |
| 145,53  | 36         |                |                 | 1F          | 144,16            | 151 | 20     | 54   | 80,0  | 59,5 | 70,0 | 7,53  | PHP 36H200RSB  |      |               |
| 153,62  | 38         |                |                 | 1F          | 152,25            | 158 | 20     | 54   | 80,0  | 59,5 | 70,0 | 8,32  | PHP 38H200RSB  |      |               |
| 161,70  | 40         |                |                 | 1F          | 160,33            | 168 | 20     | 54   | 80,0  | 59,5 | 70,0 | 9,11  | PHP 40H200RSB  |      |               |
| 169,79  | 42         |                |                 | 1F          | 168,42            | 184 | 20     | 54   | 80,0  | 59,5 | 70,0 | 9,70  | PHP 42H200RSB  |      |               |
| 177,87  | 44         |                |                 | 5F          | 176,50            | 184 | 20     | 48   | 80,0  | 59,5 | 70,0 | 5,00  | PHP 44H200RSB  |      |               |
| 181,91  | 45         |                |                 | 5F          | 180,54            | 192 | 20     | 48   | 80,0  | 59,5 | 70,0 | 5,37  | PHP 45H200RSB  |      |               |
| 194,03  | 48         |                |                 | 5F          | 192,66            | 200 | 20     | 54   | 90,0  | 59,5 | 75,0 | 5,73  | PHP 48H200RSB  |      |               |
| 202,13  | 50         |                |                 | 5           | 200,76            | -   | 20     | 54   | 90,0  | 59,5 | 75,0 | 6,62  | PHP 50H200RSB  |      |               |
| 210,21  | 52         |                |                 | 5           | 208,84            | -   | 20     | 54   | 90,0  | 59,5 | 75,0 | 7,50  | PHP 52H200RSB  |      |               |
| 230,43  | 57         |                |                 | 5           | 229,06            | -   | 20     | 54   | 90,0  | 59,5 | 75,0 | 8,76  | PHP 57H200RSB  |      |               |

# Classical timing pulleys

H Pilot bore (RSB) | XH Pilot bore (RSB)



| Section | Belt width | Pitch diameter<br>PD | Number of teeth | Pulley type | Dimensions           |     |           |      |       |       | Mass           | Designation |                |
|---------|------------|----------------------|-----------------|-------------|----------------------|-----|-----------|------|-------|-------|----------------|-------------|----------------|
|         |            |                      |                 |             | Outer diameter<br>OD | A   | B<br>Min. | Max. | H     | F     |                |             | L              |
|         |            | mm                   | -               | -           | mm                   |     |           |      |       |       | kg             | -           |                |
| H       | 50,8       | 234,47               | 58              | 5           | 233,10               | -   | 20        | 54   | 90,0  | 59,5  | 75,0           | 8,39        | PHP 58H200RSB  |
|         |            | 242,55               | 60              | 5           | 241,18               | -   | 20        | 70   | 120,0 | 59,5  | 75,0           | 9,27        | PHP 60H200RSB  |
|         |            | 282,98               | 70              | 5           | 281,61               | -   | 20        | 70   | 120,0 | 59,5  | 75,0           | 9,80        | PHP 70H200RSB  |
|         |            | 291,06               | 72              | 5           | 289,69               | -   | 20        | 70   | 120,0 | 59,5  | 75,0           | 10,32       | PHP 72H200RSB  |
|         |            | 307,23               | 76              | 5           | 305,86               | -   | 20        | 70   | 120,0 | 59,5  | 75,0           | 11,41       | PHP 76H200RSB  |
|         |            | 339,57               | 84              | 5           | 338,20               | -   | 20        | 70   | 120,0 | 59,5  | 75,0           | 12,50       | PHP 84H200RSB  |
|         |            | 388,08               | 96              | 5           | 386,71               | -   | 24        | 70   | 120,0 | 59,5  | 75,0           | 14,00       | PHP 96H200RSB  |
|         |            | 485,10               | 120             | 5           | 483,73               | -   | 24        | 70   | 120,0 | 59,5  | 75,0           | 18,10       | PHP 120H200RSB |
|         |            | 630,63               | 156             | 5           | 629,26               | -   | 24        | 70   | 130,0 | 59,5  | 75,0           | 22,00       | PHP 156H200RSB |
|         |            | 56,60                | 14              | 1F          | 55,23                | 63  | 14        | 27   | 40,0  | 85,5  | 100,0          | 1,80        | PHP 14H300RSB  |
|         |            | 60,64                | 15              | 1F          | 59,27                | 67  | 14        | 30   | 46,0  | 85,5  | 100,0          | 1,90        | PHP 15H300RSB  |
|         |            | 64,67                | 16              | 1F          | 63,30                | 71  | 14        | 30   | 46,0  | 85,5  | 100,0          | 2,00        | PHP 16H300RSB  |
|         |            | 68,72                | 17              | 1F          | 67,35                | 75  | 14        | 30   | 46,0  | 85,5  | 100,0          | 2,24        | PHP 17H300RSB  |
|         |            | 72,77                | 18              | 1F          | 71,40                | 79  | 14        | 30   | 55,0  | 85,5  | 100,0          | 2,47        | PHP 18H300RSB  |
|         |            | 76,81                | 19              | 1F          | 75,44                | 83  | 14        | 36   | 60,0  | 85,5  | 100,0          | 2,90        | PHP 19H300RSB  |
| 80,85   | 20         | 1F                   | 79,48           | 87          | 15                   | 41  | 62,0      | 85,5 | 100,0 | 3,20  | PHP 20H300RSB  |             |                |
| 84,89   | 21         | 1F                   | 83,52           | 91          | 15                   | 43  | 67,0      | 85,5 | 100,0 | 3,60  | PHP 21H300RSB  |             |                |
| 88,94   | 22         | 1F                   | 87,57           | 95          | 15                   | 45  | 70,0      | 85,5 | 100,0 | 4,00  | PHP 22H300RSB  |             |                |
| 92,98   | 23         | 1F                   | 91,61           | 98          | 15                   | 46  | 72,0      | 85,5 | 100,0 | 4,35  | PHP 23H300RSB  |             |                |
| 97,03   | 24         | 1F                   | 95,66           | 103         | 15                   | 47  | 75,0      | 85,5 | 100,0 | 4,70  | PHP 24H300RSB  |             |                |
| 101,06  | 25         | 1F                   | 99,69           | 107         | 15                   | 47  | 75,0      | 85,5 | 100,0 | 5,24  | PHP 25H300RSB  |             |                |
| 105,11  | 26         | 1F                   | 103,74          | 111         | 15                   | 54  | 80,0      | 85,5 | 100,0 | 5,78  | PHP 26H300RSB  |             |                |
| 109,15  | 27         | 1F                   | 107,78          | 115         | 15                   | 54  | 80,0      | 85,5 | 100,0 | 6,16  | PHP 27H300RSB  |             |                |
| 113,18  | 28         | 1F                   | 111,81          | 119         | 15                   | 54  | 80,0      | 85,5 | 100,0 | 6,54  | PHP 28H300RSB  |             |                |
| 117,23  | 29         | 1F                   | 115,86          | 123         | 15                   | 54  | 80,0      | 85,5 | 100,0 | 6,77  | PHP 29H300RSB  |             |                |
| 121,29  | 30         | 1F                   | 119,92          | 127         | 15                   | 54  | 80,0      | 85,5 | 100,0 | 7,00  | PHP 30H300RSB  |             |                |
| 125,32  | 31         | 1F                   | 123,95          | 131         | 15                   | 54  | 80,0      | 85,5 | 100,0 | 7,83  | PHP 31H300RSB  |             |                |
| 129,36  | 32         | 1F                   | 127,99          | 135         | 20                   | 54  | 80,0      | 85,5 | 100,0 | 8,66  | PHP 32H300RSB  |             |                |
| 133,40  | 33         | 1F                   | 132,03          | 142         | 20                   | 54  | 80,0      | 85,5 | 100,0 | 9,23  | PHP 33H300RSB  |             |                |
| 137,45  | 34         | 1F                   | 136,08          | 142         | 20                   | 54  | 80,0      | 85,5 | 100,0 | 9,79  | PHP 34H300RSB  |             |                |
| 141,47  | 35         | 1F                   | 140,10          | 151         | 20                   | 54  | 80,0      | 85,5 | 100,0 | 10,36 | PHP 35H300RSB  |             |                |
| 145,53  | 36         | 1F                   | 144,16          | 151         | 20                   | 54  | 80,0      | 85,5 | 100,0 | 10,92 | PHP 36H300RSB  |             |                |
| 153,62  | 38         | 1F                   | 152,25          | 158         | 20                   | 54  | 80,0      | 85,5 | 100,0 | 12,20 | PHP 38H300RSB  |             |                |
| 161,70  | 40         | 1F                   | 160,33          | 168         | 20                   | 54  | 80,0      | 85,5 | 100,0 | 13,50 | PHP 40H300RSB  |             |                |
| 169,79  | 42         | 1F                   | 168,42          | 184         | 20                   | 54  | 80,0      | 85,5 | 100,0 | 14,50 | PHP 42H300RSB  |             |                |
| 177,87  | 44         | 5F                   | 176,50          | 184         | 20                   | 48  | 80,0      | 85,5 | 100,0 | 8,06  | PHP 44H300RSB  |             |                |
| 194,03  | 48         | 5F                   | 192,66          | 200         | 20                   | 54  | 90,0      | 85,5 | 100,0 | 9,67  | PHP 48H300RSB  |             |                |
| 202,13  | 50         | 5                    | 200,76          | -           | 20                   | 54  | 90,0      | 85,5 | 100,0 | 10,87 | PHP 50H300RSB  |             |                |
| 230,43  | 57         | 5                    | 229,06          | -           | 20                   | 54  | 90,0      | 85,5 | 100,0 | 11,92 | PHP 57H300RSB  |             |                |
| 234,47  | 58         | 5                    | 233,10          | -           | 20                   | 54  | 90,0      | 85,5 | 100,0 | 12,07 | PHP 58H300RSB  |             |                |
| 242,55  | 60         | 5                    | 241,18          | -           | 20                   | 70  | 120,0     | 85,5 | 100,0 | 13,30 | PHP 60H300RSB  |             |                |
| 291,06  | 72         | 5                    | 289,69          | -           | 20                   | 70  | 120,0     | 85,5 | 100,0 | 15,70 | PHP 72H300RSB  |             |                |
| 307,24  | 76         | 5                    | 305,87          | -           | 20                   | 70  | 120,0     | 85,5 | 100,0 | 16,17 | PHP 76H300RSB  |             |                |
| 339,57  | 84         | 5                    | 338,20          | -           | 20                   | 70  | 120,0     | 85,5 | 100,0 | 17,10 | PHP 84H300RSB  |             |                |
| 388,09  | 96         | 5                    | 386,72          | -           | 24                   | 70  | 120,0     | 85,5 | 100,0 | 20,40 | PHP 96H300RSB  |             |                |
| 485,12  | 120        | 5                    | 483,75          | -           | 24                   | 70  | 120,0     | 85,5 | 100,0 | 27,80 | PHP 120H300RSB |             |                |
| 630,63  | 156        | 5                    | 629,26          | -           | 24                   | 70  | 130,0     | 85,5 | 100,0 | 35,00 | PHP 156H300RSB |             |                |
| XH      | 50,8       | 127,34               | 18              | 1F          | 124,54               | 141 | 24        | 67   | 100,0 | 65,1  | 80,0           | 5,00        | PHP 18XH200RSB |
|         |            | 134,41               | 19              | 1F          | 131,61               | 146 | 24        | 67   | 100,0 | 65,1  | 80,0           | 5,50        | PHP 19XH200RSB |
|         |            | 141,49               | 20              | 1F          | 138,69               | 155 | 24        | 67   | 100,0 | 65,1  | 80,0           | 6,00        | PHP 20XH200RSB |
|         |            | 148,56               | 21              | 1F          | 145,76               | 169 | 24        | 73   | 110,0 | 65,1  | 80,0           | 6,60        | PHP 21XH200RSB |
|         |            | 155,64               | 22              | 1F          | 152,84               | 169 | 24        | 73   | 110,0 | 65,1  | 80,0           | 7,20        | PHP 22XH200RSB |
|         |            | 169,79               | 24              | 1F          | 166,99               | 183 | 24        | 80   | 120,0 | 65,1  | 80,0           | 8,60        | PHP 24XH200RSB |

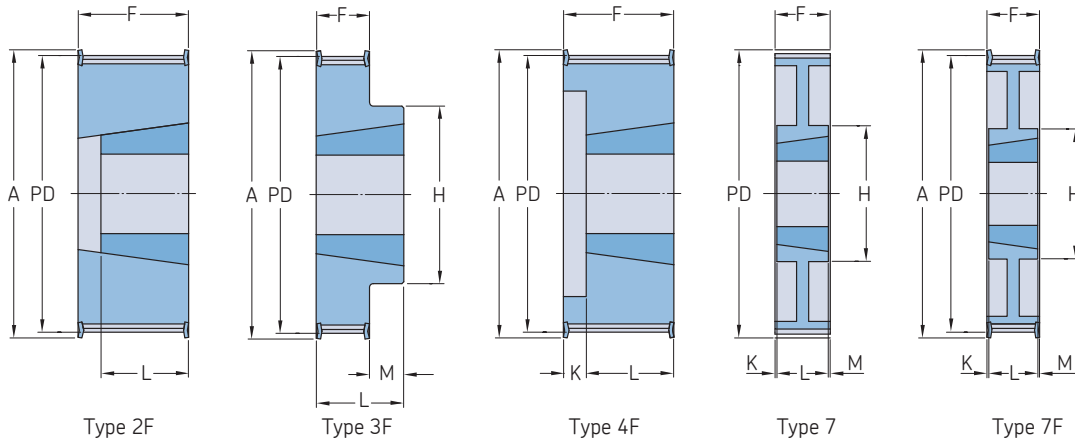
# Classical timing pulleys

XH Pilot bore (RSB)

| Section | Belt width | Pitch diameter | Number of teeth | Pulley type | Dimensions        |     |        |       |       |       | Mass           | Designation |                |      |                |
|---------|------------|----------------|-----------------|-------------|-------------------|-----|--------|-------|-------|-------|----------------|-------------|----------------|------|----------------|
|         |            |                |                 |             | Outer diameter OD | A   | B Min. | Max.  | H     | F     |                |             | L              |      |                |
| –       | mm         | PD             | –               | –           | mm                |     |        |       |       |       | kg             | –           |                |      |                |
| XH      | 50,8       | 176,86         | 25              | 1F          | 174,06            | 198 | 24     | 80    | 120,0 | 65,1  | 80,0           | 9,40        | PHP 25XH200RSB |      |                |
|         |            | 183,93         | 26              | 1F          | 181,13            | 198 | 24     | 80    | 120,0 | 65,1  | 80,0           | 9,70        | PHP 26XH200RSB |      |                |
|         |            | 191,01         | 27              | 1F          | 188,21            | 212 | 24     | 80    | 120,0 | 65,1  | 80,0           | 9,90        | PHP 27XH200RSB |      |                |
|         |            | 198,09         | 28              | 1F          | 195,29            | 212 | 24     | 80    | 120,0 | 65,1  | 80,0           | 10,00       | PHP 28XH200RSB |      |                |
|         |            | 212,23         | 30              | 1F          | 209,43            | 226 | 24     | 80    | 120,0 | 65,1  | 80,0           | 10,40       | PHP 30XH200RSB |      |                |
|         |            | 226,38         | 32              | 1F          | 223,58            | 240 | 24     | 80    | 120,0 | 65,1  | 80,0           | 11,20       | PHP 32XH200RSB |      |                |
|         |            | 240,53         | 34              | 1F          | 237,73            | 256 | 24     | 80    | 120,0 | 65,1  | 80,0           | 12,60       | PHP 34XH200RSB |      |                |
|         |            | 268,83         | 38              | 5           | 266,03            | –   | 28     | 100   | 150,0 | 65,1  | 80,0           | 14,60       | PHP 38XH200RSB |      |                |
|         |            | 282,98         | 40              | 5           | 280,18            | –   | 28     | 100   | 150,0 | 65,1  | 100,0          | 16,00       | PHP 40XH200RSB |      |                |
|         |            | 339,57         | 48              | 5           | 336,77            | –   | 28     | 100   | 150,0 | 65,1  | 100,0          | 18,40       | PHP 48XH200RSB |      |                |
|         |            | 424,47         | 60              | 5           | 421,67            | –   | 28     | 100   | 150,0 | 65,1  | 100,0          | 24,30       | PHP 60XH200RSB |      |                |
|         |            | XH             | 76,2            | 127,34      | 18                | 1F  | 124,54 | 141   | 28    | 67    | 100,0          | 92,1        | 110,0          | 6,80 | PHP 18XH300RSB |
|         |            |                |                 | 134,41      | 19                | 1F  | 131,61 | 146   | 28    | 67    | 100,0          | 92,1        | 110,0          | 7,10 | PHP 19XH300RSB |
|         |            |                |                 | 141,49      | 20                | 1F  | 138,69 | 155   | 28    | 67    | 100,0          | 92,1        | 110,0          | 7,40 | PHP 20XH300RSB |
|         |            |                |                 | 148,56      | 21                | 1F  | 145,76 | 169   | 28    | 73    | 110,0          | 92,1        | 110,0          | 8,20 | PHP 21XH300RSB |
| 155,64  | 22         |                |                 | 1F          | 152,84            | 169 | 28     | 73    | 110,0 | 92,1  | 110,0          | 9,00        | PHP 22XH300RSB |      |                |
| 169,79  | 24         |                |                 | 1F          | 166,99            | 183 | 28     | 80    | 120,0 | 92,1  | 110,0          | 10,60       | PHP 24XH300RSB |      |                |
| 176,86  | 25         |                |                 | 1F          | 174,06            | 198 | 28     | 80    | 120,0 | 92,1  | 110,0          | 11,80       | PHP 25XH300RSB |      |                |
| 183,93  | 26         |                |                 | 1F          | 181,13            | 198 | 28     | 80    | 120,0 | 92,1  | 110,0          | 12,00       | PHP 26XH300RSB |      |                |
| 191,01  | 27         |                |                 | 1F          | 188,21            | 212 | 28     | 80    | 120,0 | 92,1  | 110,0          | 12,50       | PHP 27XH300RSB |      |                |
| 198,09  | 28         |                |                 | 1F          | 195,29            | 212 | 28     | 80    | 150,0 | 92,1  | 110,0          | 13,00       | PHP 28XH300RSB |      |                |
| 212,23  | 30         |                |                 | 1F          | 209,43            | 226 | 28     | 80    | 150,0 | 92,1  | 110,0          | 13,75       | PHP 30XH300RSB |      |                |
| 226,38  | 32         |                |                 | 1F          | 223,58            | 240 | 28     | 80    | 150,0 | 92,1  | 110,0          | 14,70       | PHP 32XH300RSB |      |                |
| 240,53  | 34         |                |                 | 1F          | 237,73            | 256 | 28     | 80    | 150,0 | 92,1  | 110,0          | 16,30       | PHP 34XH300RSB |      |                |
| 268,83  | 38         |                |                 | 5           | 266,03            | –   | 32     | 100   | 150,0 | 92,1  | 120,0          | 18,30       | PHP 38XH300RSB |      |                |
| 282,98  | 40         |                |                 | 5           | 280,18            | –   | 32     | 100   | 150,0 | 92,1  | 120,0          | 19,90       | PHP 40XH300RSB |      |                |
| 339,57  | 48         | 5              | 336,77          | –           | 32                | 100 | 175,0  | 92,1  | 120,0 | 22,50 | PHP 48XH300RSB |             |                |      |                |
| 424,47  | 60         | 5              | 421,67          | –           | 32                | 100 | 175,0  | 92,1  | 120,0 | 31,50 | PHP 60XH300RSB |             |                |      |                |
| XH      | 101,6      | 127,34         | 18              | 1F          | 124,54            | 141 | 32     | 67    | 100,0 | 119,0 | 132,0          | 8,50        | PHP 18XH400RSB |      |                |
|         |            | 134,41         | 19              | 1F          | 131,61            | 146 | 32     | 67    | 100,0 | 119,0 | 132,0          | 9,00        | PHP 19XH400RSB |      |                |
|         |            | 141,49         | 20              | 1F          | 138,69            | 155 | 32     | 67    | 100,0 | 119,0 | 132,0          | 9,40        | PHP 20XH400RSB |      |                |
|         |            | 148,56         | 21              | 1F          | 145,76            | 169 | 32     | 73    | 110,0 | 119,0 | 132,0          | 10,50       | PHP 21XH400RSB |      |                |
|         |            | 155,64         | 22              | 1F          | 152,84            | 169 | 32     | 73    | 110,0 | 119,0 | 132,0          | 11,50       | PHP 22XH400RSB |      |                |
|         |            | 169,79         | 24              | 1F          | 166,99            | 183 | 32     | 80    | 120,0 | 119,0 | 132,0          | 13,40       | PHP 24XH400RSB |      |                |
|         |            | 176,86         | 25              | 1F          | 174,06            | 198 | 32     | 80    | 120,0 | 119,0 | 132,0          | 14,50       | PHP 25XH400RSB |      |                |
|         |            | 183,93         | 26              | 1F          | 181,13            | 198 | 32     | 80    | 120,0 | 119,0 | 132,0          | 15,60       | PHP 26XH400RSB |      |                |
|         |            | 191,01         | 27              | 1F          | 188,21            | 212 | 32     | 80    | 120,0 | 119,0 | 132,0          | 15,10       | PHP 27XH400RSB |      |                |
|         |            | 198,09         | 28              | 1F          | 195,29            | 212 | 32     | 100   | 150,0 | 119,0 | 132,0          | 14,50       | PHP 28XH400RSB |      |                |
|         |            | 212,23         | 30              | 1F          | 209,43            | 227 | 32     | 100   | 150,0 | 119,0 | 132,0          | 16,00       | PHP 30XH400RSB |      |                |
|         |            | 226,38         | 32              | 1F          | 223,58            | 240 | 32     | 100   | 150,0 | 119,0 | 132,0          | 18,00       | PHP 32XH400RSB |      |                |
|         |            | 240,53         | 34              | 1F          | 237,73            | 256 | 32     | 100   | 150,0 | 119,0 | 132,0          | 20,00       | PHP 34XH400RSB |      |                |
|         |            | 268,83         | 38              | 5           | 266,03            | –   | 32     | 100   | 150,0 | 119,0 | 132,0          | 22,00       | PHP 38XH400RSB |      |                |
|         |            | 282,98         | 40              | 5           | 280,18            | –   | 32     | 100   | 150,0 | 119,0 | 132,0          | 24,00       | PHP 40XH400RSB |      |                |
| 339,57  | 48         | 5              | 336,77          | –           | 32                | 110 | 175,0  | 119,0 | 132,0 | 30,80 | PHP 48XH400RSB |             |                |      |                |
| 424,47  | 60         | 5              | 421,67          | –           | 32                | 110 | 175,0  | 119,0 | 132,0 | 36,20 | PHP 60XH400RSB |             |                |      |                |

# Classical timing pulleys

## L Taper bushed



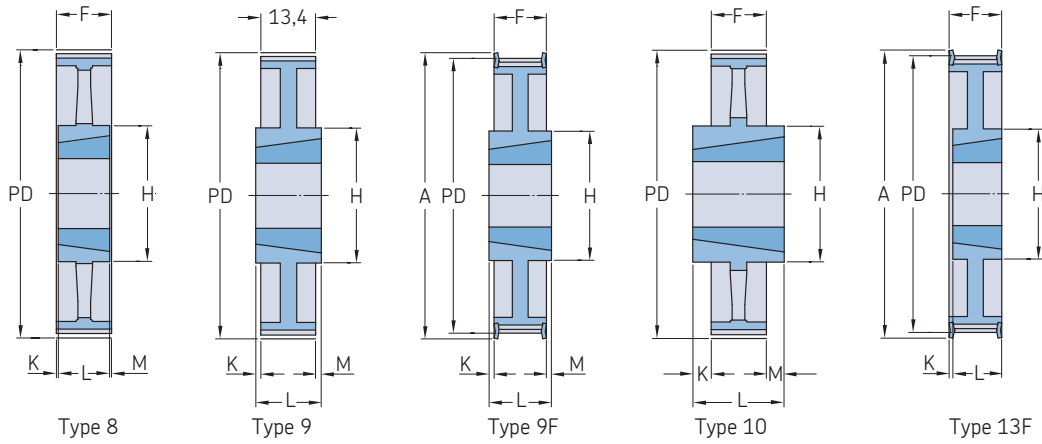
| Section | Belt width | Pitch diameter | Number of teeth | Pulley type | Bushing number | Dimensions        |      |        |      |      |      |      |      | Mass <sup>1)</sup> | Designation |               |      |              |
|---------|------------|----------------|-----------------|-------------|----------------|-------------------|------|--------|------|------|------|------|------|--------------------|-------------|---------------|------|--------------|
|         |            |                |                 |             |                | Outer diameter OD | A    | B Min. | Max. | F    | K    | L    | M    |                    |             | H             |      |              |
|         |            | mm             | -               | -           | -              | mm                |      |        |      |      |      |      |      | kg                 | -           |               |      |              |
| L       | 12,7       | 54,57          | 18              | 3F          | 1108           | 53,81             | 60   | 9      | 28   | 19,1 | -    | 22   | 3,0  | 45                 | 0,18        | PHP 18L050TB  |      |              |
|         |            | 57,61          | 19              | 3F          | 1108           | 56,85             | 63   | 9      | 28   | 19,1 | -    | 22   | 3,0  | 45                 | 0,21        | PHP 19L050TB  |      |              |
|         |            | 60,64          | 20              | 3F          | 1108           | 59,88             | 66   | 9      | 28   | 19,1 | -    | 22   | 3,0  | 47                 | 0,24        | PHP 20L050TB  |      |              |
|         |            | 63,67          | 21              | 3F          | 1108           | 62,91             | 69   | 9      | 28   | 19,1 | -    | 22   | 3,0  | 49                 | 0,30        | PHP 21L050TB  |      |              |
|         |            | 66,70          | 22              | 3F          | 1108           | 65,94             | 72   | 9      | 28   | 19,1 | -    | 22   | 3,0  | 53                 | 0,36        | PHP 22L050TB  |      |              |
|         |            | 69,73          | 23              | 3F          | 1108           | 68,97             | 78   | 9      | 28   | 19,1 | -    | 22   | 3,0  | 54                 | 0,39        | PHP 23L050TB  |      |              |
|         |            | 72,77          | 24              | 3F          | 1108           | 72,01             | 78   | 9      | 28   | 19,1 | -    | 22   | 3,0  | 54                 | 0,42        | PHP 24L050TB  |      |              |
|         |            | 75,80          | 25              | 3F          | 1108           | 75,04             | 85   | 9      | 28   | 19,1 | -    | 22   | 3,0  | 56                 | 0,49        | PHP 25L050TB  |      |              |
|         |            | 78,83          | 26              | 3F          | 1108           | 78,07             | 85   | 9      | 28   | 19,1 | -    | 22   | 3,0  | 60                 | 0,54        | PHP 26L050TB  |      |              |
|         |            | 81,86          | 27              | 3F          | 1108           | 81,10             | 91   | 9      | 28   | 19,1 | -    | 22   | 3,0  | 62                 | 0,61        | PHP 27L050TB  |      |              |
|         |            | 84,89          | 28              | 3F          | 1108           | 84,13             | 91   | 9      | 28   | 19,1 | -    | 22   | 3,0  | 63                 | 0,64        | PHP 28L050TB  |      |              |
|         |            | 90,06          | 30              | 3F          | 1108           | 89,30             | 97   | 9      | 28   | 19,1 | -    | 22   | 3,0  | 70                 | 0,77        | PHP 30L050TB  |      |              |
|         |            | 97,02          | 32              | 3F          | 1108           | 96,26             | 103  | 9      | 28   | 19,1 | -    | 22   | 3,0  | 74                 | 0,89        | PHP 32L050TB  |      |              |
|         |            | 109,15         | 36              | 3F          | 1108           | 108,39            | 115  | 9      | 28   | 19,1 | -    | 22   | 3,0  | 85                 | 1,18        | PHP 36L050TB  |      |              |
|         |            | 121,28         | 40              | 3F          | 1610           | 120,52            | 127  | 14     | 42   | 19,1 | -    | 25   | 6,0  | 90                 | 1,35        | PHP 40L050TB  |      |              |
|         |            | 133,40         | 44              | 3F          | 1610           | 132,64            | 139  | 14     | 42   | 19,1 | -    | 25   | 6,0  | 90                 | 1,60        | PHP 44L050TB  |      |              |
|         |            | 145,53         | 48              | 9F          | 1610           | 144,77            | 152  | 14     | 42   | 19,1 | -    | 25   | 6,0  | 92                 | 1,80        | PHP 48L050TB  |      |              |
|         |            | 181,91         | 60              | 9           | 1610           | 181,15            | -    | 14     | 42   | 19,1 | 3,0  | 25   | 3,0  | 92                 | 2,46        | PHP 60L050TB  |      |              |
|         |            | 218,30         | 72              | 9           | 1610           | 217,54            | -    | 14     | 42   | 19,1 | 3,0  | 25   | 3,0  | 92                 | 3,29        | PHP 72L050TB  |      |              |
|         |            | 254,68         | 84              | 9           | 1610           | 253,92            | -    | 14     | 42   | 19,1 | 3,0  | 25   | 3,0  | 92                 | 4,12        | PHP 84L050TB  |      |              |
|         |            | 291,06         | 96              | 9           | 2012           | 290,30            | -    | 14     | 50   | 19,1 | 6,5  | 32   | 6,5  | 111                | 4,55        | PHP 96L050TB  |      |              |
|         |            | 363,83         | 120             | 9           | 2012           | 363,07            | -    | 14     | 50   | 19,1 | 6,5  | 32   | 6,5  | 111                | 5,71        | PHP 120L050TB |      |              |
|         |            | L              | 19,1            | 54,57       | 18             | 2F                | 1108 | 53,81  | 60   | 9    | 28   | 25,4 | -    | 25                 | -           | -             | 0,20 | PHP 18L075TB |
|         |            |                |                 | 57,61       | 19             | 2F                | 1108 | 56,85  | 63   | 9    | 28   | 25,4 | -    | 25                 | -           | -             | 0,30 | PHP 19L075TB |
| 60,64   | 20         |                |                 | 2F          | 1108           | 59,88             | 66   | 9      | 28   | 25,4 | -    | 25   | -    | -                  | 0,30        | PHP 20L075TB  |      |              |
| 63,67   | 21         |                |                 | 2F          | 1108           | 62,91             | 69   | 9      | 28   | 25,4 | -    | 25   | -    | -                  | 0,40        | PHP 21L075TB  |      |              |
| 66,70   | 22         |                |                 | 2F          | 1108           | 65,94             | 72   | 9      | 28   | 25,4 | -    | 25   | -    | -                  | 0,40        | PHP 22L075TB  |      |              |
| 69,73   | 23         |                |                 | 2F          | 1108           | 68,97             | 78   | 9      | 28   | 25,4 | -    | 25   | -    | -                  | 0,50        | PHP 23L075TB  |      |              |
| 72,77   | 24         |                |                 | 2F          | 1108           | 72,01             | 78   | 9      | 28   | 25,4 | -    | 25   | -    | -                  | 0,50        | PHP 24L075TB  |      |              |
| 75,80   | 25         |                |                 | 2F          | 1108           | 75,04             | 85   | 9      | 28   | 25,4 | -    | 25   | -    | -                  | 0,60        | PHP 25L075TB  |      |              |
| 78,83   | 26         |                |                 | 2F          | 1108           | 78,07             | 85   | 9      | 28   | 25,4 | -    | 25   | -    | -                  | 0,70        | PHP 26L075TB  |      |              |
| 81,86   | 27         |                |                 | 2F          | 1108           | 81,10             | 91   | 9      | 28   | 25,4 | -    | 25   | -    | -                  | 0,70        | PHP 27L075TB  |      |              |
| 84,89   | 28         |                |                 | 2F          | 1108           | 84,13             | 91   | 9      | 28   | 25,4 | -    | 25   | -    | -                  | 0,80        | PHP 28L075TB  |      |              |
| 90,06   | 30         |                |                 | 2F          | 1108           | 90,20             | 97   | 9      | 28   | 25,4 | -    | 25   | -    | -                  | 1,00        | PHP 30L075TB  |      |              |
| 97,02   | 32         |                |                 | 2F          | 1108           | 96,26             | 103  | 9      | 28   | 25,4 | -    | 25   | -    | -                  | 1,10        | PHP 32L075TB  |      |              |
| 109,15  | 36         |                |                 | 2F          | 1610           | 108,39            | 115  | 14     | 42   | 25,4 | -    | 25   | -    | -                  | 1,20        | PHP 36L075TB  |      |              |
| 121,28  | 40         |                |                 | 2F          | 1610           | 120,52            | 127  | 14     | 42   | 25,4 | -    | 25   | -    | -                  | 1,60        | PHP 40L075TB  |      |              |
| 133,40  | 44         |                |                 | 2F          | 1610           | 132,64            | 139  | 14     | 42   | 25,4 | -    | 25   | -    | -                  | 1,90        | PHP 44L075TB  |      |              |
| 145,53  | 48         |                |                 | 7F          | 1610           | 144,77            | 152  | 14     | 42   | 25,4 | -    | 25   | -    | 92                 | 2,20        | PHP 48L075TB  |      |              |
| 181,91  | 60         |                |                 | 7           | 1610           | 181,15            | -    | 14     | 42   | 25,4 | -    | 25   | -    | 92                 | 3,00        | PHP 60L075TB  |      |              |
| 218,30  | 72         |                |                 | 8           | 1610           | 217,54            | -    | 14     | 42   | 25,4 | -    | 25   | -    | 92                 | 4,00        | PHP 72L075TB  |      |              |
| 254,68  | 84         |                |                 | 9           | 2012           | 253,92            | -    | 14     | 50   | 25,4 | 3,5  | 32   | 3,5  | 106                | 5,20        | PHP 84L075TB  |      |              |
| 291,06  | 96         |                |                 | 9           | 2012           | 290,30            | -    | 14     | 50   | 25,4 | 3,5  | 32   | 3,5  | 106                | 6,50        | PHP 96L075TB  |      |              |
| 363,83  | 120        |                |                 | 9           | 2012           | 363,07            | -    | 14     | 50   | 25,4 | 3,5  | 32   | 3,5  | 106                | 7,60        | PHP 120L075TB |      |              |
| L       | 25,4       |                |                 | 54,57       | 18             | 4F                | 1108 | 53,81  | 60   | 9    | 28   | 31,8 | 10,0 | 22                 | -           | -             | 0,27 | PHP 18L100TB |
|         |            |                |                 | 57,61       | 19             | 4F                | 1108 | 56,85  | 63   | 9    | 28   | 31,8 | 10,0 | 22                 | -           | -             | 0,30 | PHP 19L100TB |
|         |            | 60,64          | 20              | 4F          | 1108           | 59,88             | 66   | 9      | 28   | 31,8 | 10,0 | 22   | -    | -                  | 0,36        | PHP 20L100TB  |      |              |
|         |            | 63,67          | 21              | 4F          | 1108           | 62,91             | 69   | 9      | 28   | 31,8 | 10,0 | 22   | -    | -                  | 0,44        | PHP 21L100TB  |      |              |
|         |            | 66,70          | 22              | 4F          | 1108           | 65,94             | 72   | 9      | 28   | 31,8 | 10,0 | 22   | -    | -                  | 0,51        | PHP 22L100TB  |      |              |
|         |            | 69,73          | 23              | 4F          | 1108           | 68,97             | 78   | 9      | 28   | 31,8 | 10,0 | 22   | -    | -                  | 0,54        | PHP 23L100TB  |      |              |
|         |            | 72,77          | 24              | 4F          | 1108           | 72,01             | 78   | 9      | 28   | 31,8 | 10,0 | 22   | -    | -                  | 0,58        | PHP 24L100TB  |      |              |
|         |            | 75,80          | 25              | 4F          | 1108           | 75,04             | 85   | 9      | 28   | 31,8 | 10,0 | 22   | -    | -                  | 0,67        | PHP 25L100TB  |      |              |
|         |            | 78,83          | 26              | 4F          | 1108           | 78,07             | 85   | 9      | 28   | 31,8 | 10,0 | 22   | -    | -                  | 0,72        | PHP 26L100TB  |      |              |

<sup>1)</sup> Mass does not include bushings.



# Classical timing pulleys

L Taper bushed | H Taper bushed

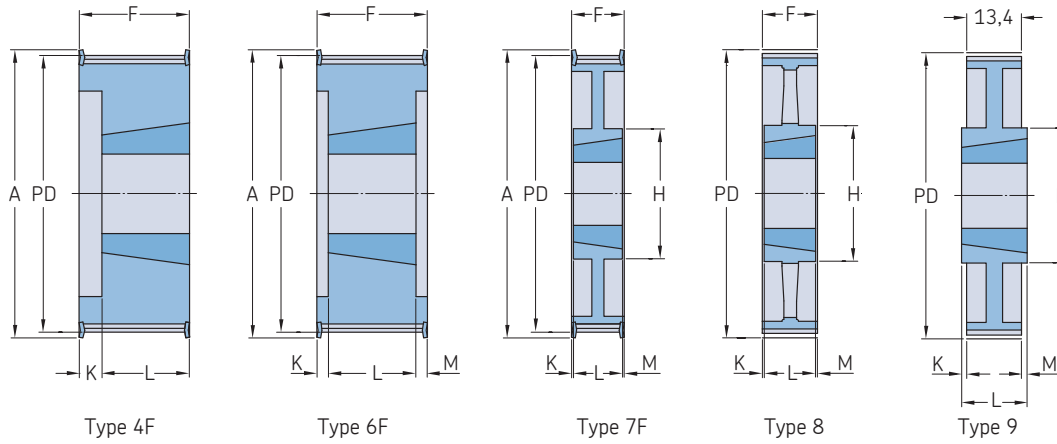


| Section | Belt width | Pitch diameter | Number of teeth | Pulley type | Bushing number | Dimensions        |      |        |      |      |      |      |     |     | Mass <sup>1)</sup> | Designation   |      |              |
|---------|------------|----------------|-----------------|-------------|----------------|-------------------|------|--------|------|------|------|------|-----|-----|--------------------|---------------|------|--------------|
|         |            |                |                 |             |                | Outer diameter OD | A    | B Min. | Max. | F    | K    | L    | M   | H   |                    |               |      |              |
| -       | mm         | -              | -               | -           | -              | mm                | -    | -      | -    | -    | -    | -    | -   | -   | kg                 | -             |      |              |
| L       | 25,4       | 81,86          | 27              | 4F          | 1108           | 81,10             | 91   | 9      | 28   | 31,8 | 10,0 | 22   | -   | -   | 0,80               | PHP 27L100TB  |      |              |
|         |            | 84,89          | 28              | 4F          | 1108           | 84,13             | 91   | 9      | 28   | 31,8 | 10,0 | 22   | -   | -   | 0,83               | PHP 28L100TB  |      |              |
|         |            | 90,96          | 30              | 4F          | 1210           | 90,20             | 97   | 11     | 32   | 31,8 | 7,0  | 25   | -   | -   | 0,94               | PHP 30L100TB  |      |              |
|         |            | 97,02          | 32              | 4F          | 1210           | 96,26             | 103  | 11     | 32   | 31,8 | 7,0  | 25   | -   | -   | 1,10               | PHP 32L100TB  |      |              |
|         |            | 109,15         | 36              | 4F          | 1610           | 108,39            | 115  | 14     | 42   | 31,8 | 7,0  | 25   | -   | -   | 1,33               | PHP 36L100TB  |      |              |
|         |            | 121,28         | 40              | 4F          | 1610           | 120,52            | 127  | 14     | 42   | 31,8 | 7,0  | 25   | -   | -   | 1,70               | PHP 40L100TB  |      |              |
|         |            | 133,40         | 44              | 4F          | 1610           | 132,64            | 139  | 14     | 42   | 31,8 | 7,0  | 25   | -   | -   | 2,30               | PHP 44L100TB  |      |              |
|         |            | 145,53         | 48              | 13F         | 1610           | 144,77            | 152  | 14     | 42   | 31,8 | 7,0  | 25   | -   | 92  | 2,60               | PHP 48L100TB  |      |              |
|         |            | 181,91         | 60              | 7           | 1610           | 181,15            | -    | 14     | 42   | 31,8 | 3,5  | 25   | 3,5 | 92  | 3,76               | PHP 60L100TB  |      |              |
|         |            | 218,30         | 72              | 10          | 2012           | 217,54            | -    | 14     | 50   | 31,8 | -    | 32   | -   | 111 | 4,40               | PHP 72L100TB  |      |              |
|         |            | 254,68         | 84              | 10          | 2012           | 253,92            | -    | 14     | 50   | 31,8 | -    | 32   | -   | 111 | 5,87               | PHP 84L100TB  |      |              |
|         |            | 291,06         | 96              | 10          | 2012           | 290,30            | -    | 14     | 50   | 31,8 | -    | 32   | -   | 111 | 7,26               | PHP 96L100TB  |      |              |
|         |            | 363,83         | 120             | 10          | 2012           | 363,07            | -    | 14     | 50   | 31,8 | -    | 32   | -   | 111 | 8,50               | PHP 120L100TB |      |              |
|         |            | H              | 19,1            | 56,60       | 14             | 2F                | 1108 | 55,23  | 62   | 9    | 28   | 27,0 | -   | 22  | -                  | -             | 0,48 | PHP 14H075TB |
|         |            |                |                 | 60,64       | 15             | 2F                | 1108 | 59,27  | 67   | 9    | 28   | 27,0 | -   | 22  | -                  | -             | 0,53 | PHP 15H075TB |
|         |            |                |                 | 64,67       | 16             | 2F                | 1108 | 63,30  | 71   | 9    | 28   | 27,0 | -   | 22  | -                  | -             | 0,57 | PHP 16H075TB |
| 68,72   | 17         |                |                 | 2F          | 1108           | 67,35             | 75   | 9      | 28   | 27,0 | -    | 22   | -   | -   | 0,67               | PHP 17H075TB  |      |              |
| 72,77   | 18         |                |                 | 2F          | 1210           | 71,40             | 79   | 11     | 32   | 27,0 | -    | 25   | -   | -   | 0,76               | PHP 18H075TB  |      |              |
| 76,81   | 19         |                |                 | 2F          | 1210           | 75,44             | 83   | 11     | 32   | 27,0 | -    | 25   | -   | -   | 0,95               | PHP 19H075TB  |      |              |
| 80,85   | 20         |                |                 | 2F          | 1210           | 79,48             | 87   | 11     | 32   | 27,0 | -    | 25   | -   | -   | 1,05               | PHP 20H075TB  |      |              |
| 84,89   | 21         |                |                 | 2F          | 1210           | 83,52             | 91   | 11     | 32   | 27,0 | -    | 25   | -   | -   | 1,14               | PHP 21H075TB  |      |              |
| 88,94   | 22         |                |                 | 2F          | 1210           | 87,57             | 95   | 11     | 32   | 27,0 | -    | 25   | -   | -   | 1,33               | PHP 22H075TB  |      |              |
| 92,98   | 23         |                |                 | 2F          | 1610           | 91,61             | 98   | 14     | 42   | 27,0 | -    | 25   | -   | -   | 1,43               | PHP 23H075TB  |      |              |
| 97,02   | 24         |                |                 | 2F          | 1610           | 95,65             | 103  | 14     | 42   | 27,0 | -    | 25   | -   | -   | 1,52               | PHP 24H075TB  |      |              |
| 101,06  | 25         |                |                 | 2F          | 1610           | 99,69             | 107  | 14     | 42   | 27,0 | -    | 25   | -   | -   | 1,62               | PHP 25H075TB  |      |              |
| 105,11  | 26         |                |                 | 2F          | 1610           | 103,74            | 111  | 14     | 42   | 27,0 | -    | 25   | -   | -   | 1,71               | PHP 26H075TB  |      |              |
| 109,15  | 27         |                |                 | 2F          | 1610           | 107,78            | 115  | 14     | 42   | 27,0 | -    | 25   | -   | -   | 1,81               | PHP 27H075TB  |      |              |
| 113,19  | 28         |                |                 | 2F          | 1610           | 111,82            | 119  | 14     | 42   | 27,0 | -    | 25   | -   | -   | 1,90               | PHP 28H075TB  |      |              |
| 117,23  | 29         |                |                 | 2F          | 1610           | 115,86            | 123  | 14     | 42   | 27,0 | -    | 25   | -   | -   | 1,95               | PHP 29H075TB  |      |              |
| 121,28  | 30         |                |                 | 2F          | 1610           | 119,91            | 127  | 14     | 42   | 27,0 | -    | 25   | -   | -   | 2,00               | PHP 30H075TB  |      |              |

<sup>1)</sup> Mass does not include bushings.

# Classical timing pulleys

## H Taper bushed

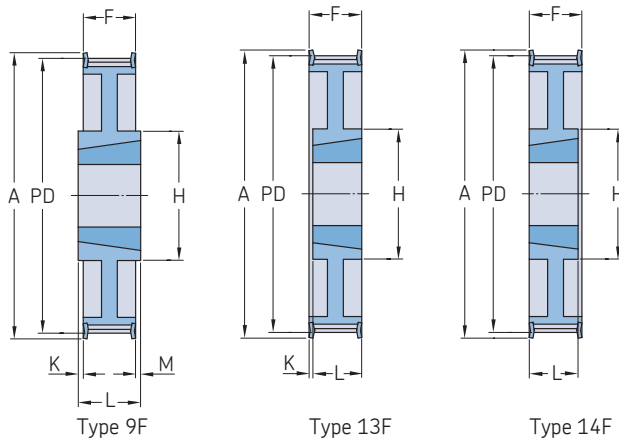


| Section | Belt width | Pitch diameter | Number of teeth | Pulley type | Bushing number | Dimensions        |        |        |      |      |      |      |      | Mass <sup>1)</sup> | Designation |              |               |               |
|---------|------------|----------------|-----------------|-------------|----------------|-------------------|--------|--------|------|------|------|------|------|--------------------|-------------|--------------|---------------|---------------|
|         |            |                |                 |             |                | Outer diameter OD | A      | B Min. | Max. | F    | K    | L    | M    |                    |             | H            |               |               |
|         |            | PD             | mm              |             |                |                   |        |        |      |      |      |      |      |                    |             | kg           | -             |               |
| Type 4F |            |                |                 |             |                |                   |        |        |      |      |      |      |      |                    |             |              |               |               |
| H       | 19,1       | 129,36         | 32              | 14F         | 1610           | 127,99            | 135    | 14     | 42   | 27,0 | -    | 25   | -    | 92                 | 2,09        | PHP 32H075TB |               |               |
|         |            | 133,40         | 33              | 14F         | 1610           | 132,03            | 142    | 14     | 42   | 27,0 | -    | 25   | -    | 92                 | 2,14        | PHP 33H075TB |               |               |
|         |            | 137,45         | 34              | 14F         | 1610           | 136,08            | 142    | 14     | 42   | 27,0 | -    | 25   | -    | 92                 | 2,19        | PHP 34H075TB |               |               |
|         |            | 141,49         | 35              | 14F         | 1610           | 140,12            | 151    | 14     | 42   | 27,0 | -    | 25   | -    | 92                 | 2,24        | PHP 35H075TB |               |               |
|         |            | 145,53         | 36              | 14F         | 1610           | 144,16            | 151    | 14     | 42   | 27,0 | -    | 25   | -    | 92                 | 2,28        | PHP 36H075TB |               |               |
|         |            | 153,62         | 38              | 14F         | 1610           | 152,25            | 158    | 14     | 42   | 27,0 | -    | 25   | -    | 92                 | 2,47        | PHP 38H075TB |               |               |
|         | H          | 25,4           | 161,70          | 40          | 14F            | 1610              | 160,33 | 168    | 14   | 42   | 27,0 | -    | 25   | -                  | 92          | 2,66         | PHP 40H075TB  |               |
|         |            |                | 177,87          | 44          | 9F             | 2012              | 176,50 | 184    | 14   | 50   | 27,0 | 2,5  | 32   | 2,5                | 106         | 2,57         | PHP 44H075TB  |               |
|         |            |                | 194,04          | 48          | 9F             | 2012              | 192,67 | 200    | 14   | 50   | 27,0 | 2,5  | 32   | 2,5                | 106         | 2,85         | PHP 48H075TB  |               |
|         |            |                | 242,55          | 60          | 9              | 2012              | 241,18 | -      | 14   | 50   | 27,0 | 2,5  | 32   | 2,5                | 106         | 2,90         | PHP 60H075TB  |               |
|         |            |                | 291,06          | 72          | 9              | 2012              | 289,69 | -      | 14   | 50   | 27,0 | 2,5  | 32   | 2,5                | 112         | 3,00         | PHP 72H075TB  |               |
|         |            |                | 339,57          | 84          | 9              | 2012              | 338,20 | -      | 14   | 50   | 27,0 | 2,5  | 32   | 2,5                | 112         | 3,15         | PHP 84H075TB  |               |
|         |            | H              | 25,4            | 388,08      | 96             | 9                 | 2517   | 386,71 | -    | 16   | 60   | 27,0 | 9,0  | 45                 | 9,0         | 125          | 3,50          | PHP 96H075TB  |
|         |            |                |                 | 485,10      | 120            | 9                 | 2517   | 483,73 | -    | 16   | 60   | 27,0 | 9,0  | 45                 | 9,0         | 125          | 4,25          | PHP 120H075TB |
|         |            |                |                 | 56,60       | 14             | 4F                | 1108   | 55,23  | 63   | 9    | 28   | 31,0 | 9,0  | 22                 | -           | -            | 0,30          | PHP 14H100TB  |
| 60,60   |            |                |                 | 15          | 4F             | 1108              | 59,23  | 67     | 9    | 28   | 31,0 | 9,0  | 22   | -                  | -           | 0,40         | PHP 15H100TB  |               |
| 64,70   |            |                |                 | 16          | 4F             | 1108              | 63,33  | 71     | 9    | 28   | 31,0 | 9,0  | 22   | -                  | -           | 0,40         | PHP 16H100TB  |               |
| 68,70   |            |                |                 | 17          | 4F             | 1108              | 67,33  | 75     | 9    | 28   | 31,0 | 9,0  | 22   | -                  | -           | 0,50         | PHP 17H100TB  |               |
| H       |            |                | 25,4            | 72,80       | 18             | 4F                | 1210   | 71,43  | 79   | 11   | 32   | 31,0 | 6,0  | 25                 | -           | -            | 0,50          | PHP 18H100TB  |
|         |            |                |                 | 76,80       | 19             | 4F                | 1210   | 75,43  | 83   | 11   | 32   | 31,0 | 6,0  | 25                 | -           | -            | 0,60          | PHP 19H100TB  |
|         |            |                |                 | 80,80       | 20             | 4F                | 1210   | 79,43  | 87   | 11   | 32   | 31,0 | 6,0  | 25                 | -           | -            | 0,80          | PHP 20H100TB  |
|         | 84,90      |                |                 | 21          | 4F             | 1210              | 83,53  | 91     | 11   | 32   | 32,0 | 7,0  | 25   | -                  | -           | 0,80         | PHP 21H100TB  |               |
|         | 88,90      |                |                 | 22          | 4F             | 1210              | 87,53  | 95     | 11   | 32   | 32,0 | 7,0  | 25   | -                  | -           | 0,90         | PHP 22H100TB  |               |
|         | 93,00      |                |                 | 23          | 4F             | 1610              | 91,63  | 98     | 14   | 42   | 32,0 | 7,0  | 25   | -                  | -           | 0,90         | PHP 23H100TB  |               |
|         | H          |                | 25,4            | 97,00       | 24             | 4F                | 1610   | 95,63  | 103  | 14   | 42   | 32,0 | 7,0  | 25                 | -           | -            | 1,00          | PHP 24H100TB  |
|         |            |                |                 | 101,10      | 25             | 4F                | 1610   | 99,73  | 107  | 14   | 42   | 32,0 | 7,0  | 25                 | -           | -            | 1,10          | PHP 25H100TB  |
|         |            |                |                 | 105,10      | 26             | 4F                | 1610   | 103,73 | 111  | 14   | 42   | 32,0 | 7,0  | 25                 | -           | -            | 1,20          | PHP 26H100TB  |
|         |            | 109,20         |                 | 27          | 4F             | 1610              | 107,83 | 115    | 14   | 42   | 32,0 | 7,0  | 25   | -                  | -           | 1,40         | PHP 27H100TB  |               |
|         |            | 113,20         |                 | 28          | 4F             | 1610              | 111,83 | 119    | 14   | 42   | 32,0 | 7,0  | 25   | -                  | -           | 1,50         | PHP 28H100TB  |               |
|         |            | 121,30         |                 | 30          | 4F             | 1610              | 119,93 | 127    | 14   | 42   | 32,0 | 7,0  | 25   | -                  | -           | 1,70         | PHP 30H100TB  |               |
|         |            | H              | 25,4            | 129,40      | 32             | 13F               | 1610   | 128,03 | 135  | 14   | 42   | 32,0 | 7,0  | 25                 | -           | 92           | 1,70          | PHP 32H100TB  |
|         |            |                |                 | 145,50      | 36             | 13F               | 1610   | 144,13 | 151  | 14   | 42   | 32,0 | 7,0  | 25                 | -           | 92           | 2,30          | PHP 36H100TB  |
|         |            |                |                 | 161,70      | 40             | 13F               | 1610   | 160,33 | 168  | 14   | 42   | 32,0 | 7,0  | 25                 | -           | 92           | 2,70          | PHP 40H100TB  |
| 177,90  |            |                |                 | 44          | 14F            | 2012              | 176,53 | 184    | 14   | 50   | 32,0 | 7,0  | 32   | -                  | 106         | 3,70         | PHP 44H100TB  |               |
| 194,00  |            |                |                 | 48          | 14F            | 2012              | 192,63 | 200    | 14   | 50   | 32,0 | 7,0  | 32   | -                  | 106         | 4,70         | PHP 48H100TB  |               |
| 242,60  |            |                |                 | 60          | 8              | 2012              | 241,23 | -      | 14   | 50   | 34,0 | 1,0  | 32   | 1,0                | 106         | 7,50         | PHP 60H100TB  |               |
| H       |            |                | 25,4            | 291,10      | 72             | 8                 | 2012   | 289,73 | -    | 14   | 50   | 34,0 | 1,0  | 32                 | 1,0         | 106          | 8,40          | PHP 72H100TB  |
|         |            |                |                 | 339,60      | 84             | 8                 | 2012   | 338,23 | -    | 14   | 50   | 34,0 | 1,0  | 32                 | 1,0         | 106          | 9,00          | PHP 84H100TB  |
|         |            |                |                 | 388,10      | 96             | 9                 | 2517   | 386,73 | -    | 16   | 60   | 34,0 | 5,5  | 45                 | 5,5         | 124          | 11,00         | PHP 96H100TB  |
|         | 485,10     |                |                 | 120         | 9              | 2517              | 483,73 | -      | 16   | 60   | 34,0 | 5,5  | 45   | 5,5                | 124         | 14,00        | PHP 120H100TB |               |
|         | 56,60      |                |                 | 14          | 4F             | 1108              | 55,23  | 63     | 9    | 28   | 45,0 | 23,0 | 22   | -                  | -           | 0,50         | PHP 14H150TB  |               |
|         | 64,67      |                |                 | 16          | 4F             | 1108              | 63,30  | 71     | 9    | 28   | 45,0 | 23,0 | 22   | -                  | -           | 0,60         | PHP 16H150TB  |               |
|         | H          |                | 38,1            | 72,77       | 18             | 4F                | 1210   | 71,40  | 79   | 11   | 32   | 45,0 | 20,0 | 25                 | -           | -            | 0,69          | PHP 18H150TB  |
|         |            |                |                 | 76,81       | 19             | 4F                | 1210   | 75,44  | 83   | 11   | 32   | 45,0 | 20,0 | 25                 | -           | -            | 0,86          | PHP 19H150TB  |
|         |            |                |                 | 80,85       | 20             | 4F                | 1210   | 79,48  | 87   | 11   | 32   | 45,0 | 20,0 | 25                 | -           | -            | 0,98          | PHP 20H150TB  |
|         |            | 84,89          |                 | 21          | 4F             | 1210              | 83,52  | 91     | 11   | 32   | 45,0 | 20,0 | 25   | -                  | -           | 0,98         | PHP 21H150TB  |               |
|         |            | 88,94          |                 | 22          | 4F             | 1210              | 87,57  | 95     | 11   | 32   | 45,0 | 20,0 | 25   | -                  | -           | 1,10         | PHP 22H150TB  |               |
|         |            | 92,98          |                 | 23          | 4F             | 1610              | 91,61  | 98     | 14   | 42   | 45,0 | 20,0 | 25   | -                  | -           | 1,16         | PHP 23H150TB  |               |
|         |            | H              | 38,1            | 97,02       | 24             | 4F                | 1610   | 95,65  | 103  | 14   | 42   | 45,0 | 20,0 | 25                 | -           | -            | 1,22          | PHP 24H150TB  |
|         |            |                |                 | 101,06      | 25             | 4F                | 1610   | 99,69  | 107  | 14   | 42   | 45,0 | 20,0 | 25                 | -           | -            | 1,37          | PHP 25H150TB  |
|         |            |                |                 | 105,11      | 26             | 4F                | 1610   | 103,74 | 111  | 14   | 42   | 45,0 | 20,0 | 25                 | -           | -            | 1,51          | PHP 26H150TB  |
| 109,15  |            |                |                 | 27          | 4F             | 1610              | 107,78 | 115    | 14   | 42   | 45,0 | 20,0 | 25   | -                  | -           | 1,67         | PHP 27H150TB  |               |
| 113,19  |            |                |                 | 28          | 4F             | 1610              | 111,82 | 119    | 14   | 42   | 45,0 | 20,0 | 25   | -                  | -           | 1,77         | PHP 28H150TB  |               |

<sup>1)</sup> Mass does not include bushings.

# Classical timing pulleys

## H Taper bushed

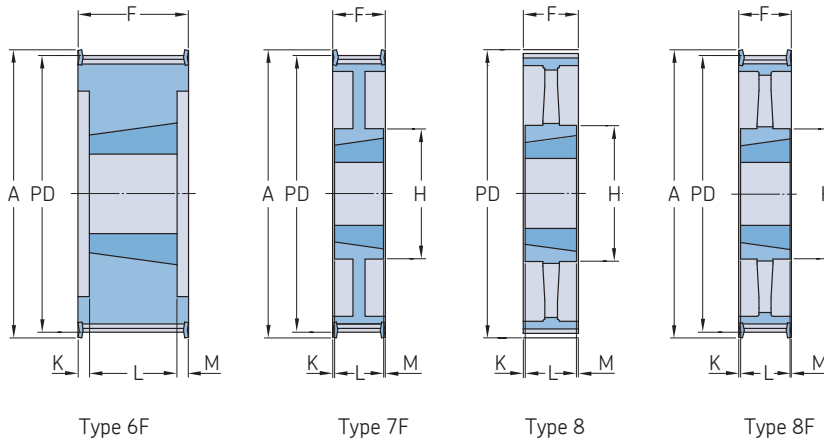


| Section | Belt width | Pitch diameter | Number of teeth | Pulley type | Bushing number | Dimensions        |      |       |      |      |      |      |       | Mass <sup>1)</sup> | Designation |               |      |              |
|---------|------------|----------------|-----------------|-------------|----------------|-------------------|------|-------|------|------|------|------|-------|--------------------|-------------|---------------|------|--------------|
|         |            |                |                 |             |                | Outer diameter OD | A    | B     |      | F    | K    | L    | M     |                    |             | H             |      |              |
|         |            | PD             |                 |             |                |                   |      | Min.  | Max. |      |      |      |       |                    |             |               |      |              |
|         |            | mm             | -               | -           | -              | mm                |      |       |      |      |      |      |       | kg                 | -           |               |      |              |
| H       | 38,1       | 121,28         | 30              | 4F          | 1610           | 119,91            | 127  | 14    | 42   | 45,0 | 20,0 | 25   | -     | -                  | 2,05        | PHP 30H150TB  |      |              |
|         |            | 129,36         | 32              | 13F         | 1610           | 127,99            | 135  | 14    | 42   | 45,0 | 20,0 | 25   | -     | 92                 | 2,07        | PHP 32H150TB  |      |              |
|         |            | 145,53         | 36              | 13F         | 1610           | 144,16            | 151  | 14    | 42   | 45,0 | 20,0 | 25   | -     | 92                 | 2,76        | PHP 36H150TB  |      |              |
|         |            | 161,70         | 40              | 13F         | 1610           | 160,33            | 168  | 14    | 42   | 45,0 | 20,0 | 25   | -     | 92                 | 3,34        | PHP 40H150TB  |      |              |
|         |            | 177,87         | 44              | 13F         | 2012           | 176,50            | 184  | 14    | 42   | 45,0 | 13,0 | 32   | -     | 106                | 5,19        | PHP 44H150TB  |      |              |
|         |            | 194,34         | 48              | 13F         | 2012           | 192,97            | 200  | 14    | 50   | 45,0 | 13,0 | 32   | -     | 106                | 5,70        | PHP 48H150TB  |      |              |
|         |            | 242,55         | 60              | 8           | 2012           | 241,18            | -    | 14    | 50   | 46,0 | 7,0  | 32   | 7,0   | 106                | 6,81        | PHP 60H150TB  |      |              |
|         |            | 291,06         | 72              | 8           | 2012           | 289,69            | -    | 14    | 50   | 46,0 | 7,0  | 32   | 7,0   | 106                | 7,79        | PHP 72H150TB  |      |              |
|         |            | 339,57         | 84              | 8           | 2012           | 338,20            | -    | 14    | 50   | 46,0 | 7,0  | 32   | 7,0   | 111                | 9,15        | PHP 84H150TB  |      |              |
|         |            | 388,08         | 96              | 8           | 2517           | 386,71            | -    | 16    | 60   | 46,0 | 0,5  | 45   | 0,5   | 124                | 13,00       | PHP 96H150TB  |      |              |
|         |            | 485,10         | 120             | 8           | 2517           | 483,73            | -    | 16    | 60   | 46,0 | 0,5  | 45   | 0,5   | 124                | 16,80       | PHP 120H150TB |      |              |
|         |            | H              | 50,8            | 64,57       | 16             | 4F                | 1108 | 63,20 | 71   | 9    | 28   | 58,0 | 36,0  | 22                 | -           | -             | 0,80 | PHP 16H200TB |
|         |            |                |                 | 72,77       | 18             | 4F                | 1210 | 71,40 | 79   | 11   | 32   | 58,0 | 33,0  | 25                 | -           | -             | 0,91 | PHP 18H200TB |
|         |            |                |                 | 76,81       | 19             | 4F                | 1210 | 75,44 | 83   | 11   | 32   | 58,0 | 33,0  | 25                 | -           | -             | 1,05 | PHP 19H200TB |
|         |            |                |                 | 80,85       | 20             | 4F                | 1610 | 79,48 | 87   | 14   | 42   | 58,0 | 33,0  | 25                 | -           | -             | 0,92 | PHP 20H200TB |
| 84,89   | 21         |                |                 | 4F          | 1610           | 83,52             | 91   | 14    | 42   | 58,0 | 33,0 | 25   | -     | -                  | 1,04        | PHP 21H200TB  |      |              |
| 88,94   | 22         |                |                 | 4F          | 1610           | 87,57             | 95   | 14    | 42   | 58,0 | 33,0 | 25   | -     | -                  | 1,18        | PHP 22H200TB  |      |              |
| 92,98   | 23         |                |                 | 4F          | 1610           | 91,61             | 98   | 14    | 42   | 58,0 | 33,0 | 25   | -     | -                  | 1,28        | PHP 23H200TB  |      |              |
| 97,02   | 24         |                |                 | 4F          | 1610           | 95,65             | 103  | 14    | 42   | 58,0 | 33,0 | 25   | -     | -                  | 1,37        | PHP 24H200TB  |      |              |
| 101,06  | 25         |                |                 | 4F          | 1610           | 99,69             | 107  | 14    | 42   | 58,0 | 33,0 | 25   | -     | -                  | 1,59        | PHP 25H200TB  |      |              |
| 105,11  | 26         |                |                 | 4F          | 1610           | 103,74            | 111  | 14    | 42   | 58,0 | 33,0 | 25   | -     | -                  | 1,63        | PHP 26H200TB  |      |              |
| 109,15  | 27         |                |                 | 4F          | 1610           | 107,78            | 115  | 14    | 42   | 58,0 | 33,0 | 25   | -     | -                  | 1,98        | PHP 27H200TB  |      |              |
| 113,19  | 28         |                |                 | 4F          | 1610           | 111,82            | 119  | 14    | 42   | 58,0 | 33,0 | 25   | -     | -                  | 1,92        | PHP 28H200TB  |      |              |
| 121,28  | 30         |                |                 | 4F          | 1610           | 119,91            | 127  | 14    | 42   | 58,0 | 33,0 | 25   | -     | -                  | 2,24        | PHP 30H200TB  |      |              |
| 129,36  | 32         |                |                 | 4F          | 2012           | 127,99            | 135  | 14    | 50   | 58,0 | 26,0 | 32   | -     | -                  | 2,87        | PHP 32H200TB  |      |              |
| 145,53  | 36         |                |                 | 13F         | 2012           | 144,16            | 151  | 14    | 50   | 58,0 | 26,0 | 32   | -     | -                  | 3,42        | PHP 36H200TB  |      |              |
| H       | 76,2       | 161,70         | 40              | 13F         | 2012           | 160,33            | 168  | 14    | 50   | 58,0 | 26,0 | 32   | -     | -                  | 4,39        | PHP 40H200TB  |      |              |
|         |            | 177,87         | 44              | 13F         | 2012           | 176,50            | 184  | 14    | 50   | 58,0 | 26,0 | 32   | -     | -                  | 5,89        | PHP 44H200TB  |      |              |
|         |            | 194,04         | 48              | 13F         | 2517           | 192,67            | 200  | 16    | 60   | 58,0 | 13,0 | 45   | -     | -                  | 7,00        | PHP 48H200TB  |      |              |
|         |            | 242,55         | 60              | 8           | 2517           | 241,18            | -    | 16    | 60   | 60,0 | 7,5  | 45   | 7,5   | -                  | 8,88        | PHP 60H200TB  |      |              |
|         |            | 291,06         | 72              | 8           | 2517           | 289,69            | -    | 16    | 60   | 60,0 | 7,5  | 45   | 7,5   | -                  | 9,05        | PHP 72H200TB  |      |              |
|         |            | 339,57         | 84              | 8           | 2517           | 338,20            | -    | 16    | 60   | 60,0 | 7,5  | 45   | 7,5   | -                  | 10,66       | PHP 84H200TB  |      |              |
|         |            | 388,08         | 96              | 8           | 2517           | 386,71            | -    | 16    | 60   | 60,0 | 7,5  | 45   | 7,5   | -                  | 15,28       | PHP 96H200TB  |      |              |
|         |            | 485,10         | 120             | 8           | 2517           | 483,73            | -    | 16    | 60   | 60,0 | 7,5  | 45   | 7,5   | -                  | 20,16       | PHP 120H200TB |      |              |
|         |            | H              | 76,2            | 72,77       | 18             | 6F                | 1215 | 71,40 | 83   | 11   | 32   | 84,0 | 23,0  | 38                 | 23,0        | -             | 1,10 | PHP 18H300TB |
|         |            |                |                 | 80,85       | 20             | 6F                | 1615 | 79,48 | 87   | 14   | 42   | 84,0 | 23,0  | 38                 | 23,0        | -             | 1,25 | PHP 20H300TB |
|         |            |                |                 | 84,89       | 21             | 6F                | 1615 | 83,52 | 91   | 14   | 42   | 84,0 | 23,0  | 38                 | 23,0        | -             | 1,56 | PHP 21H300TB |
|         |            |                |                 | 88,94       | 22             | 6F                | 1615 | 87,57 | 94   | 14   | 42   | 84,0 | 23,0  | 38                 | 23,0        | -             | 1,75 | PHP 22H300TB |
|         |            |                |                 | 92,98       | 23             | 6F                | 1615 | 91,61 | 98   | 14   | 42   | 84,0 | 23,0  | 38                 | 23,0        | -             | 1,93 | PHP 23H300TB |
|         |            |                |                 | 97,02       | 24             | 6F                | 1615 | 95,65 | 103  | 14   | 42   | 84,0 | 23,0  | 38                 | 23,0        | -             | 2,14 | PHP 24H300TB |
|         |            |                |                 | 101,06      | 25             | 6F                | 1615 | 99,69 | 107  | 14   | 42   | 84,0 | 23,0  | 38                 | 23,0        | -             | 2,21 | PHP 25H300TB |
| 105,11  | 26         |                |                 | 6F          | 1615           | 103,74            | 111  | 14    | 42   | 84,0 | 23,0 | 38   | 23,0  | -                  | 2,65        | PHP 26H300TB  |      |              |
| 109,15  | 27         |                |                 | 6F          | 2012           | 107,78            | 115  | 14    | 50   | 84,0 | 26,0 | 32   | 26,0  | -                  | 2,49        | PHP 27H300TB  |      |              |
| 113,19  | 28         |                |                 | 6F          | 2012           | 111,82            | 119  | 14    | 50   | 84,0 | 26,0 | 32   | 26,0  | -                  | 2,88        | PHP 28H300TB  |      |              |
| 121,28  | 30         |                |                 | 6F          | 2012           | 119,91            | 127  | 14    | 50   | 84,0 | 26,0 | 32   | 26,0  | -                  | 3,44        | PHP 30H300TB  |      |              |
| 129,36  | 32         |                |                 | 6F          | 2517           | 127,99            | 135  | 16    | 60   | 84,0 | 19,5 | 45   | 19,5  | -                  | 3,51        | PHP 32H300TB  |      |              |
| 145,53  | 36         |                |                 | 6F          | 2517           | 144,16            | 151  | 16    | 60   | 84,0 | 19,5 | 45   | 19,5  | -                  | 4,43        | PHP 36H300TB  |      |              |
| 161,70  | 40         |                |                 | 6F          | 2517           | 160,33            | 168  | 16    | 60   | 84,0 | 19,5 | 45   | 19,5  | -                  | 6,10        | PHP 40H300TB  |      |              |
| 177,87  | 44         |                |                 | 7F          | 2517           | 176,50            | 184  | 16    | 60   | 86,0 | 20,5 | 45   | 20,5  | 124                | 7,55        | PHP 44H300TB  |      |              |
| 194,04  | 48         | 7F             | 2517            | 192,67      | 200            | 16                | 60   | 86,0  | 20,5 | 45   | 20,5 | 124  | 8,99  | PHP 48H300TB       |             |               |      |              |
| 242,55  | 60         | 8              | 2517            | 241,18      | -              | 16                | 60   | 86,0  | 20,5 | 45   | 20,5 | 124  | 11,06 | PHP 60H300TB       |             |               |      |              |
| 291,06  | 72         | 8              | 2517            | 289,69      | -              | 16                | 60   | 86,0  | 20,5 | 45   | 20,5 | 124  | 12,66 | PHP 72H300TB       |             |               |      |              |
| 339,57  | 84         | 8              | 2517            | 338,20      | -              | 16                | 60   | 86,0  | 20,5 | 45   | 20,5 | 124  | 14,50 | PHP 84H300TB       |             |               |      |              |

<sup>1)</sup> Mass does not include bushings.

# Classical timing pulleys

H Taper bushed | XH Taper bushed

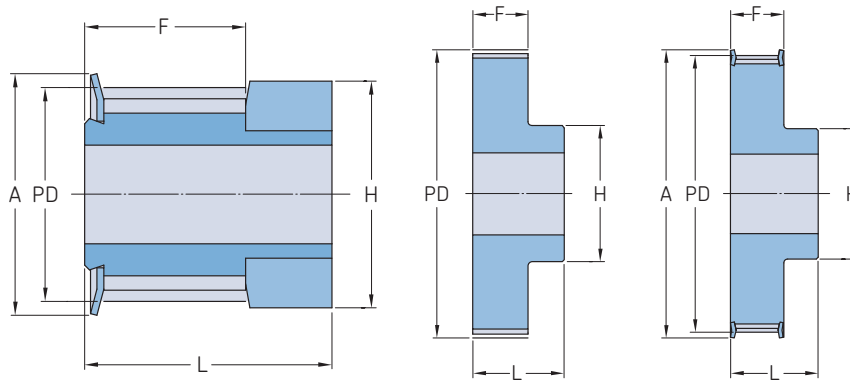


| Section | Belt width | Pitch diameter                                 | Number of teeth            | Pulley type                | Bushing number                       | Dimensions                                     |                                 | Bushing                    |                            | F                                    | K                     | L                          | M                     | H                                         | Mass <sup>1)</sup>                        | Designation                                                                       |
|---------|------------|------------------------------------------------|----------------------------|----------------------------|--------------------------------------|------------------------------------------------|---------------------------------|----------------------------|----------------------------|--------------------------------------|-----------------------|----------------------------|-----------------------|-------------------------------------------|-------------------------------------------|-----------------------------------------------------------------------------------|
|         |            |                                                |                            |                            |                                      | Outer diameter OD                              | A                               | B Min.                     | Max.                       |                                      |                       |                            |                       |                                           |                                           |                                                                                   |
| mm      |            |                                                |                            |                            |                                      |                                                |                                 |                            |                            |                                      |                       |                            |                       |                                           |                                           |                                                                                   |
| kg      |            |                                                |                            |                            |                                      |                                                |                                 |                            |                            |                                      |                       |                            |                       |                                           |                                           |                                                                                   |
| H       | 76,2       | 388,08<br>485,10                               | 96<br>120                  | 8<br>8                     | 3030<br>3030                         | 386,71<br>483,73                               | -<br>-                          | 35<br>35                   | 75<br>75                   | 86,0<br>86,0                         | 5,0<br>5,0            | 76<br>76                   | 5,0<br>5,0            | 155<br>155                                | 16,20<br>20,80                            | PHP 96H300TB<br>PHP 120H300TB                                                     |
| XH      | 50,8       | 127,34<br>134,41<br>141,49<br>148,56<br>155,64 | 18<br>19<br>20<br>21<br>22 | 6F<br>6F<br>6F<br>6F<br>6F | 2012<br>2012<br>2012<br>2517<br>2517 | 124,54<br>131,61<br>138,69<br>145,76<br>152,84 | 141<br>146<br>155<br>169<br>169 | 14<br>14<br>14<br>16<br>16 | 50<br>50<br>50<br>60<br>60 | 65,1<br>65,1<br>65,1<br>65,1<br>65,1 | -<br>-<br>-<br>-<br>- | 32<br>32<br>32<br>45<br>45 | -<br>-<br>-<br>-<br>- | -<br>-<br>-<br>-<br>-                     | 2,60<br>3,10<br>3,60<br>4,20<br>4,80      | PHP 18XH200TB<br>PHP 19XH200TB<br>PHP 20XH200TB<br>PHP 21XH200TB<br>PHP 22XH200TB |
|         |            | 169,79<br>176,86<br>183,93<br>191,01<br>198,09 | 24<br>25<br>26<br>27<br>28 | 6F<br>6F<br>6F<br>7F<br>7F | 2517<br>2517<br>2517<br>2517<br>2517 | 166,99<br>174,06<br>181,13<br>188,21<br>195,29 | 183<br>198<br>198<br>212<br>212 | 16<br>16<br>16<br>16<br>16 | 60<br>60<br>60<br>60<br>60 | 65,1<br>65,1<br>65,1<br>65,1<br>65,1 | -<br>-<br>-<br>-<br>- | 45<br>45<br>45<br>45<br>45 | -<br>-<br>-<br>-<br>- | 134<br>134                                | 6,10<br>6,80<br>7,40<br>8,20<br>9,00      | PHP 24XH200TB<br>PHP 25XH200TB<br>PHP 26XH200TB<br>PHP 27XH200TB<br>PHP 28XH200TB |
|         |            | 212,23<br>226,38<br>254,64<br>282,98<br>339,57 | 30<br>32<br>36<br>40<br>48 | 7F<br>7F<br>8F<br>8<br>8   | 2517<br>2517<br>2517<br>2517<br>3020 | 209,43<br>223,58<br>251,84<br>280,18<br>336,77 | 226<br>240<br>267<br>-<br>-     | 16<br>16<br>16<br>16<br>25 | 60<br>60<br>60<br>60<br>75 | 65,1<br>65,1<br>65,1<br>65,1<br>65,1 | -<br>-<br>-<br>-<br>- | 45<br>45<br>45<br>45<br>51 | -<br>-<br>134<br>134  | 9,60<br>9,80<br>11,60<br>13,30<br>16,5    | 9,60<br>9,80<br>11,60<br>13,30<br>19,00   | PHP 30XH200TB<br>PHP 32XH200TB<br>PHP 36XH200TB<br>PHP 40XH200TB<br>PHP 48XH200TB |
|         |            | 424,47                                         | 60                         | 8                          | 3020                                 | 421,67                                         | -                               | 25                         | 75                         | 65,1                                 | -                     | 51                         | -                     | 165                                       | 22,00                                     | PHP 60XH200TB                                                                     |
| XH      | 76,2       | 127,34<br>134,41<br>141,49<br>148,56<br>155,64 | 18<br>19<br>20<br>21<br>22 | 6F<br>6F<br>6F<br>6F<br>6F | 2012<br>2517<br>2517<br>2517<br>2517 | 124,54<br>131,61<br>138,69<br>145,76<br>152,84 | 141<br>146<br>155<br>169<br>169 | 14<br>16<br>16<br>16<br>16 | 50<br>60<br>60<br>60<br>60 | 92,1<br>92,1<br>92,1<br>92,1<br>92,1 | -<br>-<br>-<br>-<br>- | 45<br>45<br>45<br>45<br>45 | -<br>-<br>-<br>-<br>- | -<br>-<br>-<br>-<br>-                     | 3,70<br>4,20<br>4,70<br>5,40<br>6,00      | PHP 18XH300TB<br>PHP 19XH300TB<br>PHP 20XH300TB<br>PHP 21XH300TB<br>PHP 22XH300TB |
|         |            | 169,79<br>176,86<br>183,93<br>191,01<br>198,09 | 24<br>25<br>26<br>27<br>28 | 6F<br>6F<br>6F<br>6F<br>7F | 2517<br>2517<br>2517<br>2517<br>2517 | 166,99<br>174,06<br>181,13<br>188,21<br>195,29 | 183<br>198<br>198<br>212<br>212 | 16<br>16<br>16<br>16<br>16 | 60<br>60<br>60<br>60<br>60 | 92,1<br>92,1<br>92,1<br>92,1<br>92,1 | -<br>-<br>-<br>-<br>- | 45<br>45<br>45<br>45<br>45 | -<br>-<br>-<br>-<br>- | 134                                       | 7,60<br>8,70<br>9,80<br>10,70<br>11,60    | PHP 24XH300TB<br>PHP 25XH300TB<br>PHP 26XH300TB<br>PHP 27XH300TB<br>PHP 28XH300TB |
|         |            | 212,23<br>226,38<br>254,64<br>282,98<br>339,57 | 30<br>32<br>36<br>40<br>48 | 7F<br>7F<br>7F<br>8<br>8   | 2517<br>3020<br>3020<br>3020<br>3020 | 209,43<br>223,58<br>251,84<br>280,18<br>336,77 | 226<br>240<br>267<br>-<br>-     | 16<br>25<br>25<br>25<br>25 | 60<br>75<br>75<br>75<br>75 | 92,1<br>92,1<br>92,1<br>92,1<br>92,1 | -<br>-<br>-<br>-<br>- | 45<br>51<br>51<br>51<br>51 | -<br>134<br>165       | 11,90<br>13,80<br>16,70<br>19,50<br>27,00 | 11,90<br>13,80<br>16,70<br>19,50<br>27,00 | PHP 30XH300TB<br>PHP 32XH300TB<br>PHP 36XH300TB<br>PHP 40XH300TB<br>PHP 48XH300TB |
|         |            | 424,47                                         | 60                         | 8                          | 3535                                 | 421,67                                         | -                               | 35                         | 90                         | 92,1                                 | -                     | 89                         | -                     | 184                                       | 28,00                                     | PHP 60XH300TB                                                                     |
| XH      | 101,6      | 127,34<br>134,41<br>141,49<br>148,56<br>155,64 | 18<br>19<br>20<br>21<br>22 | 6F<br>6F<br>6F<br>6F<br>6F | 2012<br>2517<br>2517<br>2517<br>2517 | 124,54<br>131,61<br>138,69<br>145,76<br>152,84 | 141<br>146<br>155<br>169<br>169 | 16<br>16<br>16<br>16<br>16 | 60<br>60<br>60<br>60<br>60 | 92,1<br>92,1<br>92,1<br>92,1<br>92,1 | -<br>-<br>-<br>-<br>- | 45<br>45<br>45<br>45<br>45 | -<br>-<br>-<br>-<br>- | -<br>-<br>-<br>-<br>-                     | 5,00<br>5,50<br>6,00<br>6,60<br>7,20      | PHP 18XH400TB<br>PHP 19XH400TB<br>PHP 20XH400TB<br>PHP 21XH400TB<br>PHP 22XH400TB |
|         |            | 169,79<br>176,86<br>183,93<br>191,01<br>198,09 | 24<br>25<br>26<br>27<br>28 | 6F<br>6F<br>6F<br>6F<br>6F | 3020<br>3020<br>3020<br>3020<br>3020 | 166,99<br>174,06<br>181,13<br>188,21<br>195,29 | 183<br>198<br>198<br>212<br>212 | 16<br>25<br>25<br>25<br>25 | 75<br>75<br>75<br>75<br>75 | 92,1<br>92,1<br>92,1<br>92,1<br>92,1 | -<br>-<br>-<br>-<br>- | 51<br>51<br>51<br>51<br>51 | -<br>-<br>-<br>-<br>- | -<br>-<br>-<br>-<br>-                     | 8,40<br>9,40<br>10,30<br>11,30<br>12,30   | PHP 24XH400TB<br>PHP 25XH400TB<br>PHP 26XH400TB<br>PHP 27XH400TB<br>PHP 28XH400TB |
|         |            | 212,23<br>226,38<br>254,64<br>282,98<br>339,57 | 30<br>32<br>36<br>40<br>48 | 6F<br>7F<br>7F<br>8<br>8   | 3020<br>3020<br>3020<br>3020<br>3535 | 209,43<br>223,58<br>251,84<br>280,18<br>336,77 | 226<br>240<br>267<br>-<br>-     | 25<br>25<br>25<br>25<br>35 | 75<br>75<br>75<br>75<br>90 | 92,1<br>92,1<br>92,1<br>92,1<br>92,1 | -<br>-<br>-<br>-<br>- | 51<br>51<br>51<br>51<br>89 | -<br>165<br>165       | 14,30<br>19,90<br>22,30<br>24,60<br>30,00 | 14,30<br>19,90<br>22,30<br>24,60<br>30,00 | PHP 30XH400TB<br>PHP 32XH400TB<br>PHP 36XH400TB<br>PHP 40XH400TB<br>PHP 48XH400TB |
|         |            | 424,47                                         | 60                         | 8                          | 3535                                 | 421,67                                         | -                               | 35                         | 90                         | 92,1                                 | -                     | 89                         | -                     | 184                                       | 40,00                                     | PHP 60XH400TB                                                                     |

<sup>1)</sup> Mass does not include bushings.

## Metric timing pulleys

2,5 mm pitch type T pilot bore (RSB)



Type OF

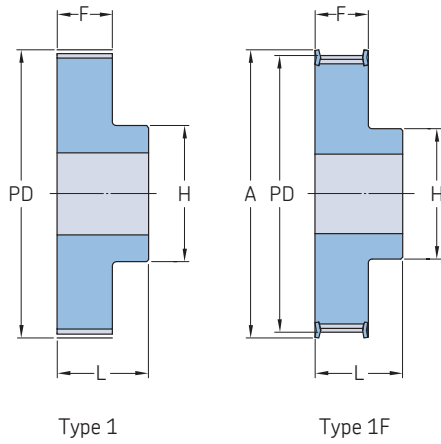
Type 1

Type 1F

| Pitch | Belt width | Pitch diameter<br>PD | Number of teeth | Pulley type | Dimensions<br>Outer diameter<br>OD | Type 1 |           |      | Type 1F |    | Mass  | Designation       |                   |
|-------|------------|----------------------|-----------------|-------------|------------------------------------|--------|-----------|------|---------|----|-------|-------------------|-------------------|
|       |            |                      |                 |             |                                    | A      | B<br>Min. | Max. | H       | F  |       |                   | L                 |
| –     | mm         | –                    | –               | –           | mm                                 | –      | –         | –    | –       | –  | kg    | –                 |                   |
| 2,5   | 4 and 6    | 7,96                 | 10              | OF          | 7,45                               | 10     | –         | 3    | 10      | 10 | 16    | 0,001             | PHP 16-T2.5-10RSB |
|       |            | 8,75                 | 11              | OF          | 8,25                               | 12     | –         | 3    | 11      | 10 | 16    | 0,002             | PHP 16-T2.5-11RSB |
|       |            | 9,54                 | 12              | OF          | 9,00                               | 13     | –         | 4    | 13      | 10 | 16    | 0,003             | PHP 16-T2.5-12RSB |
|       |            | 10,35                | 13              | OF          | 9,95                               | 14     | –         | 4    | 14      | 10 | 16    | 0,004             | PHP 16-T2.5-13RSB |
|       |            | 11,14                | 14              | OF          | 10,60                              | 15     | –         | 5    | 15      | 10 | 16    | 0,004             | PHP 16-T2.5-14RSB |
|       |            | 11,94                | 15              | OF          | 11,40                              | 15     | –         | 6    | 15      | 10 | 16    | 0,010             | PHP 16-T2.5-15RSB |
|       |            | 12,73                | 16              | OF          | 12,20                              | 16     | –         | 7    | 16      | 10 | 16    | 0,005             | PHP 16-T2.5-16RSB |
|       |            | 13,53                | 17              | OF          | 13,00                              | 17     | 4         | 7    | 16      | 10 | 16    | 0,006             | PHP 16-T2.5-17RSB |
|       |            | 14,32                | 18              | 1F          | 13,80                              | 18     | 4         | 7    | 10      | 10 | 16    | 0,006             | PHP 16-T2.5-18RSB |
|       |            | 15,12                | 19              | 1F          | 14,60                              | 18     | 4         | 7    | 10      | 10 | 16    | 0,007             | PHP 16-T2.5-19RSB |
|       |            | 15,92                | 20              | 1F          | 15,40                              | 20     | 4         | 7    | 11      | 10 | 16    | 0,008             | PHP 16-T2.5-20RSB |
|       |            | 16,71                | 21              | 1F          | 16,20                              | 20     | 4         | 7    | 11      | 10 | 16    | 0,009             | PHP 16-T2.5-21RSB |
|       |            | 17,51                | 22              | 1F          | 17,00                              | 23     | 4         | 7    | 10      | 10 | 16    | 0,009             | PHP 16-T2.5-22RSB |
|       |            | 18,30                | 23              | 1F          | 17,80                              | 23     | 4         | 8    | 12      | 10 | 16    | 0,010             | PHP 16-T2.5-23RSB |
|       |            | 19,10                | 24              | 1F          | 18,55                              | 23     | 4         | 8    | 12      | 10 | 16    | 0,012             | PHP 16-T2.5-24RSB |
|       |            | 19,89                | 25              | 1F          | 19,35                              | 23     | 4         | 9    | 13      | 10 | 16    | 0,013             | PHP 16-T2.5-25RSB |
|       | 20,69      | 26                   | 1F              | 20,15       | 25                                 | 4      | 9         | 14   | 10      | 16 | 0,014 | PHP 16-T2.5-26RSB |                   |
|       | 21,49      | 27                   | 1F              | 20,90       | 25                                 | 4      | 9         | 14   | 10      | 16 | 0,015 | PHP 16-T2.5-27RSB |                   |
|       | 22,28      | 28                   | 1F              | 21,75       | 25                                 | 4      | 9         | 14   | 10      | 16 | 0,016 | PHP 16-T2.5-28RSB |                   |
|       | 23,87      | 30                   | 1F              | 23,35       | 28                                 | 6      | 10        | 16   | 10      | 16 | 0,018 | PHP 16-T2.5-30RSB |                   |
|       | 25,46      | 32                   | 1F              | 24,95       | 32                                 | 6      | 10        | 16   | 10      | 16 | 0,020 | PHP 16-T2.5-32RSB |                   |
|       | 27,85      | 35                   | 1F              | 27,35       | 36                                 | 6      | 10        | 18   | 10      | 16 | 0,024 | PHP 16-T2.5-35RSB |                   |
|       | 28,65      | 36                   | 1F              | 28,10       | 36                                 | 6      | 13        | 20   | 10      | 16 | 0,026 | PHP 16-T2.5-36RSB |                   |
|       | 30,24      | 38                   | 1F              | 30,70       | 38                                 | 6      | 13        | 22   | 10      | 16 | 0,029 | PHP 16-T2.5-38RSB |                   |
|       | 31,83      | 40                   | 1F              | 31,30       | 38                                 | 6      | 13        | 22   | 10      | 16 | 0,032 | PHP 16-T2.5-40RSB |                   |
|       | 33,42      | 42                   | 1F              | 32,90       | 42                                 | 6      | 15        | 24   | 10      | 16 | 0,036 | PHP 16-T2.5-42RSB |                   |
|       | 35,01      | 44                   | 1               | 34,50       | –                                  | 6      | 15        | 24   | 10      | 16 | 0,040 | PHP 16-T2.5-44RSB |                   |
|       | 35,81      | 45                   | 1               | 35,30       | –                                  | 6      | 17        | 26   | 10      | 16 | 0,044 | PHP 16-T2.5-45RSB |                   |
|       | 38,20      | 48                   | 1               | 37,70       | –                                  | 6      | 17        | 26   | 10      | 16 | 0,048 | PHP 16-T2.5-48RSB |                   |
|       | 42,97      | 54                   | 1               | 42,45       | –                                  | 8      | 19        | 30   | 10      | 16 | 0,056 | PHP 16-T2.5-54RSB |                   |
|       | 45,36      | 57                   | 1               | 44,85       | –                                  | 8      | 19        | 32   | 10      | 16 | 0,064 | PHP 16-T2.5-57RSB |                   |
|       | 47,75      | 60                   | 1               | 47,25       | –                                  | 8      | 22        | 34   | 10      | 16 | 0,073 | PHP 16-T2.5-60RSB |                   |
| 2,5   | 10         | 7,96                 | 10              | OF          | 7,45                               | 10     | 3         | 3    | 10      | 14 | 20    | 0,010             | PHP 20-T2.5-10RSB |
|       |            | 8,75                 | 11              | OF          | 8,25                               | 12     | 3         | 3    | 11      | 14 | 20    | 0,010             | PHP 20-T2.5-11RSB |
|       |            | 9,55                 | 12              | OF          | 9,00                               | 13     | 3         | 4    | 13      | 14 | 20    | 0,020             | PHP 20-T2.5-12RSB |
|       |            | 10,35                | 13              | OF          | 9,95                               | 14     | 3         | 4    | 14      | 14 | 20    | 0,020             | PHP 20-T2.5-13RSB |
|       |            | 11,14                | 14              | OF          | 10,60                              | 14     | 3         | 5    | 15      | 14 | 20    | 0,020             | PHP 20-T2.5-14RSB |
|       |            | 11,94                | 15              | OF          | 11,40                              | 15     | 3         | 6    | 15      | 14 | 20    | 0,020             | PHP 20-T2.5-15RSB |
|       |            | 12,73                | 16              | OF          | 12,20                              | 16     | 4         | 7    | 16      | 14 | 20    | 0,030             | PHP 20-T2.5-16RSB |
|       |            | 13,53                | 17              | 1F          | 13,00                              | 17     | 4         | 7    | 16      | 14 | 20    | 0,020             | PHP 20-T2.5-17RSB |
|       |            | 14,32                | 18              | 1F          | 13,80                              | 17     | 4         | 7    | 10      | 14 | 20    | 0,030             | PHP 20-T2.5-18RSB |
|       |            | 15,12                | 19              | 1F          | 14,60                              | 18     | 4         | 7    | 10      | 14 | 20    | 0,040             | PHP 20-T2.5-19RSB |
|       |            | 15,92                | 20              | 1F          | 15,40                              | 19     | 4         | 7    | 11      | 14 | 20    | 0,040             | PHP 20-T2.5-20RSB |
|       |            | 16,71                | 21              | 1F          | 16,20                              | 20     | 4         | 7    | 11      | 14 | 20    | 0,040             | PHP 20-T2.5-21RSB |
|       |            | 17,60                | 22              | 1F          | 17,00                              | 22     | 4         | 7    | 11      | 14 | 20    | 0,050             | PHP 20-T2.5-22RSB |
|       |            | 18,30                | 23              | 1F          | 17,80                              | 22     | 4         | 8    | 12      | 14 | 20    | 0,050             | PHP 20-T2.5-23RSB |
|       | 19,10      | 24                   | 1F              | 18,55       | 22                                 | 4      | 8         | 12   | 14      | 20 | 0,050 | PHP 20-T2.5-24RSB |                   |
|       | 19,89      | 25                   | 1F              | 19,35       | 24                                 | 4      | 9         | 13   | 14      | 20 | 0,060 | PHP 20-T2.5-25RSB |                   |
|       | 20,75      | 26                   | 1F              | 20,15       | 26                                 | 4      | 9         | 14   | 14      | 20 | 0,060 | PHP 20-T2.5-26RSB |                   |
|       | 21,49      | 27                   | 1F              | 20,90       | 26                                 | 4      | 9         | 14   | 14      | 20 | 0,060 | PHP 20-T2.5-27RSB |                   |
|       | 22,35      | 28                   | 1F              | 21,75       | 26                                 | 4      | 9         | 14   | 14      | 20 | 0,070 | PHP 20-T2.5-28RSB |                   |
|       | 23,87      | 30                   | 1F              | 23,35       | 28                                 | 6      | 10        | 16   | 14      | 20 | 0,080 | PHP 20-T2.5-30RSB |                   |
|       | 25,47      | 32                   | 1F              | 24,95       | 28                                 | 6      | 10        | 16   | 14      | 20 | 0,090 | PHP 20-T2.5-32RSB |                   |

### Metric timing pulleys

2,5 mm pitch type T pilot bore (RSB) | 5 mm pitch type T pilot bore (RSB)



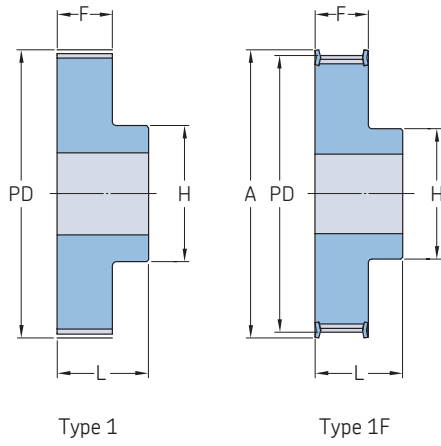
| Pitch | Belt width | Pitch diameter<br>PD | Number of teeth | Pulley type | Dimensions           |    |           |      |    |    |    | Mass  | Designation       |       |                 |
|-------|------------|----------------------|-----------------|-------------|----------------------|----|-----------|------|----|----|----|-------|-------------------|-------|-----------------|
|       |            |                      |                 |             | Outer diameter<br>OD | A  | B<br>Min. | Max. | H  | F  | L  |       |                   |       |                 |
| -     |            | mm                   | -               | -           | mm                   |    |           |      |    |    |    | kg    | -                 |       |                 |
| 2,5   | 10         | 27,85                | 35              | 1F          | 27,35                | 32 | 6         | 10   | 18 | 14 | 20 | 0,110 | PHP 20-T2.5-35RSB |       |                 |
|       |            | 28,65                | 36              | 1F          | 28,10                | 32 | 6         | 13   | 20 | 14 | 20 | 0,110 | PHP 20-T2.5-36RSB |       |                 |
|       |            | 30,24                | 38              | 1F          | 39,70                | 34 | 6         | 13   | 22 | 14 | 20 | 0,130 | PHP 20-T2.5-38RSB |       |                 |
|       |            | 31,83                | 40              | 1F          | 31,30                | 35 | 6         | 13   | 22 | 14 | 20 | 0,140 | PHP 20-T2.5-40RSB |       |                 |
|       |            | 33,42                | 42              | 1           | 32,90                | -  | 6         | 15   | 24 | 14 | 20 | 0,180 | PHP 20-T2.5-42RSB |       |                 |
|       |            | 35,01                | 44              | 1           | 34,50                | -  | 6         | 15   | 24 | 14 | 20 | 0,190 | PHP 20-T2.5-44RSB |       |                 |
|       |            | 35,81                | 45              | 1           | 35,30                | -  | 6         | 17   | 26 | 14 | 20 | 0,190 | PHP 20-T2.5-45RSB |       |                 |
|       |            | 38,20                | 48              | 1           | 37,70                | -  | 6         | 17   | 26 | 14 | 20 | 0,200 | PHP 20-T2.5-48RSB |       |                 |
|       |            | 42,97                | 54              | 1           | 42,45                | -  | 8         | 19   | 30 | 14 | 20 | 0,250 | PHP 20-T2.5-54RSB |       |                 |
|       |            | 45,36                | 57              | 1           | 44,85                | -  | 8         | 19   | 32 | 14 | 20 | 0,280 | PHP 20-T2.5-57RSB |       |                 |
|       |            | 47,75                | 60              | 1           | 47,25                | -  | 8         | 22   | 34 | 14 | 20 | 0,310 | PHP 20-T2.5-60RSB |       |                 |
|       |            | 5                    | 10              | 15,92       | 10                   | 1F | 15,05     | 20   | 4  | 5  | 8  | 15    | 21                | 0,010 | PHP 21-T5-10RSB |
|       |            |                      |                 | 17,51       | 11                   | 1F | 16,65     | 22   | 4  | 6  | 10 | 15    | 21                | 0,010 | PHP 21-T5-11RSB |
|       |            |                      |                 | 19,10       | 12                   | 1F | 18,25     | 23   | 4  | 7  | 12 | 15    | 21                | 0,020 | PHP 21-T5-12RSB |
|       |            |                      |                 | 20,69       | 13                   | 1F | 19,85     | 25   | 6  | 8  | 13 | 15    | 21                | 0,020 | PHP 21-T5-13RSB |
|       |            |                      |                 | 22,29       | 14                   | 1F | 21,45     | 26   | 6  | 9  | 14 | 15    | 21                | 0,020 | PHP 21-T5-14RSB |
| 23,88 | 15         |                      |                 | 1F          | 23,05                | 28 | 6         | 10   | 16 | 15 | 21 | 0,020 | PHP 21-T5-15RSB   |       |                 |
| 25,47 | 16         |                      |                 | 1F          | 24,60                | 30 | 6         | 11   | 18 | 15 | 21 | 0,030 | PHP 21-T5-16RSB   |       |                 |
| 27,06 | 17         |                      |                 | 1F          | 26,20                | 32 | 6         | 12   | 19 | 15 | 21 | 0,030 | PHP 21-T5-17RSB   |       |                 |
| 28,65 | 18         |                      |                 | 1F          | 27,80                | 32 | 6         | 13   | 20 | 15 | 21 | 0,030 | PHP 21-T5-18RSB   |       |                 |
| 30,25 | 19         |                      |                 | 1F          | 29,40                | 36 | 6         | 14   | 22 | 15 | 21 | 0,040 | PHP 21-T5-19RSB   |       |                 |
| 31,83 | 20         |                      |                 | 1F          | 31,00                | 36 | 6         | 15   | 24 | 15 | 21 | 0,040 | PHP 21-T5-20RSB   |       |                 |
| 33,42 | 21         |                      |                 | 1F          | 32,55                | 38 | 6         | 15   | 24 | 15 | 21 | 0,040 | PHP 21-T5-21RSB   |       |                 |
| 35,01 | 22         |                      |                 | 1F          | 34,15                | 38 | 6         | 15   | 24 | 15 | 21 | 0,050 | PHP 21-T5-22RSB   |       |                 |
| 36,61 | 23         |                      |                 | 1F          | 35,75                | 42 | 6         | 16   | 25 | 15 | 21 | 0,050 | PHP 21-T5-23RSB   |       |                 |
| 38,21 | 24         |                      |                 | 1F          | 37,40                | 44 | 6         | 17   | 26 | 15 | 21 | 0,050 | PHP 21-T5-24RSB   |       |                 |
| 39,80 | 25         |                      |                 | 1F          | 38,95                | 44 | 6         | 17   | 26 | 15 | 21 | 0,060 | PHP 21-T5-25RSB   |       |                 |
| 41,45 | 26         |                      |                 | 1F          | 40,60                | 44 | 6         | 17   | 26 | 15 | 21 | 0,060 | PHP 21-T5-26RSB   |       |                 |
| 42,98 | 27         |                      |                 | 1F          | 42,20                | 48 | 8         | 19   | 30 | 15 | 21 | 0,060 | PHP 21-T5-27RSB   |       |                 |
| 44,56 | 28         |                      |                 | 1F          | 43,75                | 48 | 8         | 20   | 32 | 15 | 21 | 0,060 | PHP 21-T5-28RSB   |       |                 |
| 47,76 | 30         |                      |                 | 1F          | 46,95                | 51 | 8         | 22   | 34 | 15 | 21 | 0,080 | PHP 21-T5-30RSB   |       |                 |
| 50,94 | 32         |                      |                 | 1F          | 50,10                | 54 | 8         | 24   | 38 | 15 | 21 | 0,090 | PHP 21-T5-32RSB   |       |                 |
| 55,70 | 35         |                      |                 | 1F          | 54,85                | 59 | 8         | 24   | 38 | 15 | 21 | 0,100 | PHP 21-T5-35RSB   |       |                 |
| 57,31 | 36         |                      |                 | 1F          | 56,45                | 63 | 8         | 24   | 38 | 15 | 21 | 0,110 | PHP 21-T5-36RSB   |       |                 |
| 60,48 | 38         |                      |                 | 1F          | 59,65                | 66 | 8         | 26   | 40 | 15 | 21 | 0,130 | PHP 21-T5-38RSB   |       |                 |
| 63,66 | 40         |                      |                 | 1F          | 62,85                | 66 | 8         | 26   | 40 | 15 | 21 | 0,140 | PHP 21-T5-40RSB   |       |                 |
| 66,84 | 42         |                      |                 | 1F          | 66,00                | 71 | 8         | 26   | 40 | 15 | 21 | 0,180 | PHP 21-T5-42RSB   |       |                 |
| 70,20 | 44         |                      |                 | 1           | 69,35                | -  | 8         | 29   | 45 | 15 | 21 | 0,190 | PHP 21-T5-44RSB   |       |                 |
| 71,62 | 45         |                      |                 | 1           | 70,80                | -  | 8         | 31   | 45 | 15 | 21 | 0,190 | PHP 21-T5-45RSB   |       |                 |
| 76,39 | 48         |                      |                 | 1           | 75,55                | -  | 8         | 32   | 50 | 15 | 21 | 0,200 | PHP 21-T5-48RSB   |       |                 |
| 85,94 | 54         |                      |                 | 1           | 85,10                | -  | 8         | 35   | 55 | 15 | 21 | 0,240 | PHP 21-T5-54RSB   |       |                 |
| 90,72 | 57         |                      |                 | 1           | 89,90                | -  | 8         | 38   | 60 | 15 | 21 | 0,270 | PHP 21-T5-57RSB   |       |                 |
| 95,49 | 60         |                      |                 | 1           | 94,65                | -  | 8         | 42   | 65 | 15 | 21 | 0,310 | PHP 21-T5-60RSB   |       |                 |
| 5     | 16         | 15,92                | 10              | 1F          | 15,05                | 20 | 4         | 5    | 8  | 21 | 27 | 0,020 | PHP 27-T5-10RSB   |       |                 |
|       |            | 17,51                | 11              | 1F          | 16,65                | 22 | 4         | 6    | 10 | 21 | 27 | 0,020 | PHP 27-T5-11RSB   |       |                 |
|       |            | 19,10                | 12              | 1F          | 18,25                | 23 | 4         | 7    | 12 | 21 | 27 | 0,020 | PHP 27-T5-12RSB   |       |                 |
|       |            | 20,69                | 13              | 1F          | 19,85                | 25 | 6         | 8    | 13 | 21 | 27 | 0,020 | PHP 27-T5-13RSB   |       |                 |
|       |            | 22,29                | 14              | 1F          | 21,45                | 26 | 6         | 9    | 14 | 21 | 27 | 0,030 | PHP 27-T5-14RSB   |       |                 |
|       |            | 23,88                | 15              | 1F          | 23,05                | 28 | 6         | 10   | 16 | 21 | 27 | 0,030 | PHP 27-T5-15RSB   |       |                 |
|       |            | 25,47                | 16              | 1F          | 24,60                | 30 | 6         | 11   | 18 | 21 | 27 | 0,040 | PHP 27-T5-16RSB   |       |                 |
|       |            | 27,06                | 17              | 1F          | 26,20                | 32 | 6         | 12   | 19 | 21 | 27 | 0,040 | PHP 27-T5-17RSB   |       |                 |
|       |            | 28,65                | 18              | 1F          | 27,80                | 33 | 6         | 13   | 20 | 21 | 27 | 0,050 | PHP 27-T5-18RSB   |       |                 |
|       |            | 30,25                | 19              | 1F          | 29,40                | 36 | 6         | 14   | 22 | 21 | 27 | 0,050 | PHP 27-T5-19RSB   |       |                 |

# Metric timing pulleys

5 mm pitch type T pilot bore (RSB) | 10 mm pitch type T pilot bore (RSB)

| Pitch | Belt width | Pitch diameter | Number of teeth | Pulley type | Dimensions        |     |        |      |    |       | Mass            | Designation |                  |       |                 |
|-------|------------|----------------|-----------------|-------------|-------------------|-----|--------|------|----|-------|-----------------|-------------|------------------|-------|-----------------|
|       |            |                |                 |             | Outer diameter OD | A   | B Min. | Max. | H  | F     |                 |             | L                |       |                 |
| -     | mm         | PD             | -               | -           | mm                |     |        |      |    |       | kg              | -           |                  |       |                 |
| 5     | 16         | 31,83          | 20              | 1F          | 31,00             | 36  | 6      | 15   | 24 | 21    | 27              | 0,050       | PHP 27-T5-20RSB  |       |                 |
|       |            | 33,42          | 21              | 1F          | 32,55             | 38  | 6      | 15   | 24 | 21    | 27              | 0,050       | PHP 27-T5-21RSB  |       |                 |
|       |            | 35,01          | 22              | 1F          | 34,15             | 38  | 6      | 15   | 24 | 21    | 27              | 0,050       | PHP 27-T5-22RSB  |       |                 |
|       |            | 36,61          | 23              | 1F          | 35,75             | 42  | 6      | 16   | 25 | 21    | 27              | 0,060       | PHP 27-T5-23RSB  |       |                 |
|       |            | 38,21          | 24              | 1F          | 37,40             | 42  | 6      | 17   | 26 | 21    | 27              | 0,080       | PHP 27-T5-24RSB  |       |                 |
|       |            | 39,80          | 25              | 1F          | 38,95             | 44  | 6      | 17   | 26 | 21    | 27              | 0,080       | PHP 27-T5-25RSB  |       |                 |
|       |            | 41,45          | 26              | 1F          | 40,60             | 44  | 6      | 17   | 26 | 21    | 27              | 0,090       | PHP 27-T5-26RSB  |       |                 |
|       |            | 42,98          | 27              | 1F          | 42,20             | 48  | 8      | 19   | 30 | 21    | 27              | 0,090       | PHP 27-T5-27RSB  |       |                 |
|       |            | 44,56          | 28              | 1F          | 43,75             | 48  | 8      | 20   | 32 | 21    | 27              | 0,090       | PHP 27-T5-28RSB  |       |                 |
|       |            | 47,76          | 30              | 1F          | 46,95             | 51  | 8      | 22   | 34 | 21    | 27              | 0,110       | PHP 27-T5-30RSB  |       |                 |
|       |            | 50,94          | 32              | 1F          | 50,10             | 54  | 8      | 24   | 38 | 21    | 27              | 0,120       | PHP 27-T5-32RSB  |       |                 |
|       |            | 55,70          | 35              | 1F          | 54,85             | 59  | 8      | 24   | 38 | 21    | 27              | 0,140       | PHP 27-T5-35RSB  |       |                 |
|       |            | 57,31          | 36              | 1F          | 56,45             | 63  | 8      | 24   | 38 | 21    | 27              | 0,160       | PHP 27-T5-36RSB  |       |                 |
|       |            | 60,48          | 38              | 1F          | 59,65             | 66  | 8      | 26   | 40 | 21    | 27              | 0,180       | PHP 27-T5-38RSB  |       |                 |
|       |            | 63,66          | 40              | 1F          | 62,85             | 66  | 8      | 26   | 40 | 21    | 27              | 0,190       | PHP 27-T5-40RSB  |       |                 |
|       |            | 66,84          | 42              | 1F          | 66,00             | 71  | 8      | 26   | 40 | 21    | 27              | 0,210       | PHP 27-T5-42RSB  |       |                 |
|       |            | 70,20          | 44              | 1           | 69,35             | -   | 8      | 29   | 45 | 21    | 27              | 0,230       | PHP 27-T5-44RSB  |       |                 |
|       |            | 71,62          | 45              | 1           | 70,80             | -   | 8      | 29   | 45 | 21    | 27              | 0,260       | PHP 27-T5-45RSB  |       |                 |
|       |            | 76,39          | 48              | 1           | 75,55             | -   | 8      | 32   | 50 | 21    | 27              | 0,280       | PHP 27-T5-48RSB  |       |                 |
|       |            | 85,94          | 54              | 1           | 85,10             | -   | 8      | 35   | 55 | 21    | 27              | 0,330       | PHP 27-T5-54RSB  |       |                 |
|       |            | 90,72          | 57              | 1           | 89,90             | -   | 8      | 38   | 60 | 21    | 27              | 0,380       | PHP 27-T5-57RSB  |       |                 |
|       |            | 95,49          | 60              | 1           | 94,65             | -   | 8      | 42   | 65 | 21    | 27              | 0,430       | PHP 27-T5-60RSB  |       |                 |
|       |            | 5              | 25              | 15,92       | 10                | 1F  | 15,05  | 20   | 4  | 5     | 8               | 30          | 36               | 0,020 | PHP 36-T5-10RSB |
|       |            |                |                 | 17,51       | 11                | 1F  | 16,65  | 22   | 4  | 6     | 10              | 30          | 36               | 0,030 | PHP 36-T5-11RSB |
| 19,10 | 12         |                |                 | 1F          | 18,25             | 23  | 4      | 7    | 12 | 30    | 36              | 0,030       | PHP 36-T5-12RSB  |       |                 |
| 20,69 | 13         |                |                 | 1F          | 19,85             | 25  | 6      | 8    | 13 | 30    | 36              | 0,030       | PHP 36-T5-13RSB  |       |                 |
| 22,29 | 14         |                |                 | 1F          | 21,45             | 26  | 6      | 9    | 14 | 30    | 36              | 0,040       | PHP 36-T5-14RSB  |       |                 |
| 23,88 | 15         |                |                 | 1F          | 23,05             | 28  | 6      | 10   | 16 | 30    | 36              | 0,040       | PHP 36-T5-15RSB  |       |                 |
| 25,47 | 16         |                |                 | 1F          | 24,60             | 32  | 6      | 11   | 18 | 30    | 36              | 0,050       | PHP 36-T5-16RSB  |       |                 |
| 27,06 | 17         |                |                 | 1F          | 26,20             | 32  | 6      | 12   | 19 | 30    | 36              | 0,060       | PHP 36-T5-17RSB  |       |                 |
| 28,65 | 18         |                |                 | 1F          | 27,80             | 32  | 6      | 13   | 20 | 30    | 36              | 0,060       | PHP 36-T5-18RSB  |       |                 |
| 30,25 | 19         |                |                 | 1F          | 29,40             | 36  | 6      | 14   | 22 | 30    | 36              | 0,070       | PHP 36-T5-19RSB  |       |                 |
| 31,83 | 20         |                |                 | 1F          | 31,00             | 36  | 6      | 15   | 24 | 30    | 36              | 0,080       | PHP 36-T5-20RSB  |       |                 |
| 33,42 | 21         |                |                 | 1F          | 32,55             | 38  | 6      | 15   | 24 | 30    | 36              | 0,080       | PHP 36-T5-21RSB  |       |                 |
| 35,01 | 22         |                |                 | 1F          | 34,15             | 38  | 6      | 15   | 24 | 30    | 36              | 0,080       | PHP 36-T5-22RSB  |       |                 |
| 36,61 | 23         |                |                 | 1F          | 35,75             | 42  | 6      | 15   | 25 | 30    | 36              | 0,090       | PHP 36-T5-23RSB  |       |                 |
| 38,21 | 24         |                |                 | 1F          | 37,40             | 42  | 6      | 17   | 26 | 30    | 36              | 0,110       | PHP 36-T5-24RSB  |       |                 |
| 39,80 | 25         |                |                 | 1F          | 38,95             | 44  | 6      | 17   | 26 | 30    | 36              | 0,120       | PHP 36-T5-25RSB  |       |                 |
| 41,45 | 26         |                |                 | 1F          | 40,60             | 44  | 6      | 17   | 26 | 30    | 36              | 0,120       | PHP 36-T5-26RSB  |       |                 |
| 42,98 | 27         |                |                 | 1F          | 42,20             | 48  | 8      | 19   | 30 | 30    | 36              | 0,130       | PHP 36-T5-27RSB  |       |                 |
| 44,56 | 28         |                |                 | 1F          | 43,75             | 48  | 8      | 20   | 32 | 30    | 36              | 0,130       | PHP 36-T5-28RSB  |       |                 |
| 47,76 | 30         |                |                 | 1F          | 46,95             | 51  | 8      | 22   | 34 | 30    | 36              | 0,150       | PHP 36-T5-30RSB  |       |                 |
| 50,94 | 32         |                |                 | 1F          | 50,10             | 54  | 8      | 24   | 38 | 30    | 36              | 0,180       | PHP 36-T5-32RSB  |       |                 |
| 55,70 | 35         |                |                 | 1F          | 54,85             | 59  | 8      | 24   | 38 | 30    | 36              | 0,210       | PHP 36-T5-35RSB  |       |                 |
| 57,31 | 36         |                |                 | 1F          | 56,45             | 63  | 8      | 24   | 38 | 30    | 36              | 0,230       | PHP 36-T5-36RSB  |       |                 |
| 60,48 | 38         |                |                 | 1F          | 59,65             | 66  | 8      | 26   | 40 | 30    | 36              | 0,250       | PHP 36-T5-38RSB  |       |                 |
| 63,66 | 40         | 1F             | 62,85           | 66          | 8                 | 26  | 40     | 30   | 36 | 0,280 | PHP 36-T5-40RSB |             |                  |       |                 |
| 66,84 | 42         | 1F             | 66,00           | 71          | 8                 | 26  | 40     | 30   | 36 | 0,280 | PHP 36-T5-42RSB |             |                  |       |                 |
| 70,20 | 44         | 1              | 69,35           | -           | 8                 | 29  | 45     | 30   | 36 | 0,320 | PHP 36-T5-44RSB |             |                  |       |                 |
| 71,62 | 45         | 1              | 70,80           | -           | 8                 | 29  | 45     | 30   | 36 | 0,360 | PHP 36-T5-45RSB |             |                  |       |                 |
| 76,39 | 48         | 1              | 75,55           | -           | 8                 | 32  | 50     | 30   | 36 | 0,400 | PHP 36-T5-48RSB |             |                  |       |                 |
| 85,94 | 54         | 1              | 85,10           | -           | 8                 | 35  | 55     | 30   | 36 | 0,470 | PHP 36-T5-54RSB |             |                  |       |                 |
| 90,72 | 57         | 1              | 89,90           | -           | 8                 | 38  | 60     | 30   | 36 | 0,540 | PHP 36-T5-57RSB |             |                  |       |                 |
| 95,49 | 60         | 1              | 94,65           | -           | 8                 | 42  | 65     | 30   | 36 | 0,610 | PHP 36-T5-60RSB |             |                  |       |                 |
| 10    | 16         | 38,20          | 12              | 1F          | 36,35             | 42  | 6      | 18   | 28 | 21    | 31              | 0,080       | PHP 31-T10-12RSB |       |                 |
|       |            | 41,38          | 13              | 1F          | 39,55             | 44  | 6      | 19   | 32 | 21    | 31              | 0,090       | PHP 31-T10-13RSB |       |                 |
|       |            | 44,56          | 14              | 1F          | 42,70             | 48  | 8      | 21   | 32 | 21    | 31              | 0,100       | PHP 31-T10-14RSB |       |                 |
|       |            | 47,75          | 15              | 1F          | 45,90             | 51  | 8      | 21   | 32 | 21    | 31              | 0,120       | PHP 31-T10-15RSB |       |                 |
|       |            | 50,93          | 16              | 1F          | 49,10             | 54  | 8      | 23   | 35 | 21    | 31              | 0,130       | PHP 31-T10-16RSB |       |                 |
|       |            | 54,11          | 17              | 1F          | 52,25             | 58  | 8      | 24   | 38 | 21    | 31              | 0,150       | PHP 31-T10-17RSB |       |                 |
|       |            | 57,29          | 18              | 1F          | 55,45             | 60  | 8      | 26   | 40 | 21    | 31              | 0,170       | PHP 31-T10-18RSB |       |                 |
|       |            | 60,48          | 19              | 1F          | 58,65             | 66  | 8      | 28   | 44 | 21    | 31              | 0,180       | PHP 31-T10-19RSB |       |                 |
|       |            | 63,66          | 20              | 1F          | 61,80             | 66  | 8      | 30   | 46 | 21    | 31              | 0,210       | PHP 31-T10-20RSB |       |                 |
|       |            | 66,85          | 21              | 1F          | 65,00             | 71  | 8      | 36   | 48 | 21    | 31              | 0,230       | PHP 31-T10-21RSB |       |                 |
|       |            | 70,03          | 22              | 1F          | 68,20             | 75  | 8      | 34   | 52 | 21    | 31              | 0,250       | PHP 31-T10-22RSB |       |                 |
|       |            | 73,21          | 23              | 1F          | 71,35             | 77  | 8      | 36   | 55 | 21    | 31              | 0,270       | PHP 31-T10-23RSB |       |                 |
|       |            | 76,39          | 24              | 1F          | 74,55             | 83  | 8      | 38   | 58 | 21    | 31              | 0,290       | PHP 31-T10-24RSB |       |                 |
|       |            | 79,58          | 25              | 1F          | 77,75             | 83  | 8      | 39   | 60 | 21    | 31              | 0,310       | PHP 31-T10-25RSB |       |                 |
|       |            | 82,76          | 26              | 1F          | 80,90             | 87  | 8      | 39   | 60 | 21    | 31              | 0,360       | PHP 31-T10-26RSB |       |                 |
|       |            | 85,95          | 27              | 1F          | 84,10             | 91  | 8      | 39   | 60 | 21    | 31              | 0,360       | PHP 31-T10-27RSB |       |                 |
|       |            | 89,25          | 28              | 1F          | 87,25             | 93  | 8      | 39   | 60 | 21    | 31              | 0,400       | PHP 31-T10-28RSB |       |                 |
|       |            | 95,49          | 30              | 1F          | 93,65             | 99  | 8      | 39   | 60 | 21    | 31              | 0,440       | PHP 31-T10-30RSB |       |                 |
|       |            | 101,86         | 32              | 1F          | 100,00            | 106 | 10     | 42   | 65 | 21    | 31              | 0,490       | PHP 31-T10-32RSB |       |                 |

**Metric timing pulleys**  
10 mm pitch type T pilot bore (RSB)



| Pitch  | Belt width | Pitch diameter<br>PD | Number of teeth | Pulley type | Dimensions        |     |        |      |     |    |    | Mass  | Designation      |       |                  |
|--------|------------|----------------------|-----------------|-------------|-------------------|-----|--------|------|-----|----|----|-------|------------------|-------|------------------|
|        |            |                      |                 |             | Outer diameter OD | A   | B Min. | Max. | H   | F  | L  |       |                  |       |                  |
| –      | mm         | –                    | –               | –           | mm                | –   | –      | –    | –   | –  | –  | kg    | –                |       |                  |
| 10     | 16         | 111,41               | 35              | 1F          | 109,55            | 115 | 10     | 45   | 70  | 21 | 31 | 0,560 | PHP 31-T10-35RSB |       |                  |
|        |            | 114,59               | 36              | 1F          | 112,75            | 119 | 10     | 45   | 70  | 21 | 31 | 0,620 | PHP 31-T10-36RSB |       |                  |
|        |            | 120,96               | 38              | 1F          | 119,10            | 125 | 10     | 48   | 75  | 21 | 31 | 0,690 | PHP 31-T10-38RSB |       |                  |
|        |            | 127,32               | 40              | 1F          | 125,45            | 131 | 10     | 52   | 80  | 21 | 31 | 0,770 | PHP 31-T10-40RSB |       |                  |
|        |            | 133,69               | 42              | 1           | 131,85            | –   | 10     | 52   | 80  | 21 | 31 | 0,880 | PHP 31-T10-42RSB |       |                  |
|        |            | 140,06               | 44              | 1           | 138,20            | –   | 10     | 57   | 88  | 21 | 31 | 0,990 | PHP 31-T10-44RSB |       |                  |
|        |            | 143,24               | 45              | 1           | 141,40            | –   | 16     | 57   | 90  | 21 | 31 | 1,040 | PHP 31-T10-45RSB |       |                  |
|        |            | 152,78               | 48              | 1           | 150,95            | –   | 16     | 62   | 95  | 21 | 31 | 1,090 | PHP 31-T10-48RSB |       |                  |
|        |            | 171,89               | 54              | 1           | 170,05            | –   | 16     | 66   | 100 | 21 | 31 | 1,300 | BushingT10-54RSB |       |                  |
|        |            | 181,44               | 57              | 1           | 179,60            | –   | 16     | 66   | 110 | 21 | 31 | 1,500 | PHP 31-T10-57RSB |       |                  |
|        |            | 190,98               | 60              | 1           | 189,15            | –   | 16     | 72   | 110 | 21 | 31 | 1,710 | PHP 31-T10-60RSB |       |                  |
|        |            | 10                   | 25              | 38,20       | 12                | 1F  | 36,35  | 42   | 6   | 18 | 28 | 30    | 40               | 0,100 | PHP 40-T10-12RSB |
|        |            |                      |                 | 41,38       | 13                | 1F  | 39,55  | 44   | 6   | 19 | 30 | 30    | 40               | 0,120 | PHP 40-T10-13RSB |
|        |            |                      |                 | 44,56       | 14                | 1F  | 42,70  | 48   | 8   | 21 | 32 | 30    | 40               | 0,130 | PHP 40-T10-14RSB |
|        |            |                      |                 | 47,75       | 15                | 1F  | 45,90  | 51   | 8   | 21 | 32 | 30    | 40               | 0,150 | PHP 40-T10-15RSB |
|        |            |                      |                 | 50,93       | 16                | 1F  | 49,10  | 54   | 8   | 23 | 35 | 30    | 40               | 0,180 | PHP 40-T10-16RSB |
|        |            |                      |                 | 54,11       | 17                | 1F  | 52,25  | 58   | 8   | 24 | 37 | 30    | 40               | 0,200 | PHP 40-T10-17RSB |
|        |            |                      |                 | 57,29       | 18                | 1F  | 55,45  | 60   | 8   | 26 | 40 | 30    | 40               | 0,220 | PHP 40-T10-18RSB |
| 60,48  | 19         |                      |                 | 1F          | 58,65             | 66  | 8      | 28   | 44  | 30 | 40 | 0,250 | PHP 40-T10-19RSB |       |                  |
| 63,66  | 20         |                      |                 | 1F          | 61,80             | 66  | 8      | 30   | 46  | 30 | 40 | 0,280 | PHP 40-T10-20RSB |       |                  |
| 66,85  | 21         |                      |                 | 1F          | 65,00             | 71  | 8      | 32   | 49  | 30 | 40 | 0,300 | PHP 40-T10-21RSB |       |                  |
| 70,03  | 22         |                      |                 | 1F          | 68,20             | 75  | 8      | 34   | 52  | 30 | 40 | 0,340 | PHP 40-T10-22RSB |       |                  |
| 73,21  | 23         |                      |                 | 1F          | 71,35             | 77  | 8      | 36   | 55  | 30 | 40 | 0,360 | PHP 40-T10-23RSB |       |                  |
| 76,39  | 24         |                      |                 | 1F          | 74,55             | 83  | 8      | 38   | 58  | 30 | 40 | 0,390 | PHP 40-T10-24RSB |       |                  |
| 79,58  | 25         |                      |                 | 1F          | 77,75             | 83  | 8      | 39   | 60  | 30 | 40 | 0,420 | PHP 40-T10-25RSB |       |                  |
| 82,76  | 26         |                      |                 | 1F          | 80,90             | 87  | 8      | 39   | 60  | 30 | 40 | 0,480 | PHP 40-T10-26RSB |       |                  |
| 85,95  | 27         |                      |                 | 1F          | 84,10             | 91  | 8      | 39   | 60  | 30 | 40 | 0,540 | PHP 40-T10-27RSB |       |                  |
| 89,25  | 28         |                      |                 | 1F          | 87,25             | 93  | 8      | 39   | 60  | 30 | 40 | 0,540 | PHP 40-T10-28RSB |       |                  |
| 95,49  | 30         |                      |                 | 1F          | 93,65             | 99  | 8      | 39   | 60  | 30 | 40 | 0,640 | PHP 40-T10-30RSB |       |                  |
| 101,86 | 32         |                      |                 | 1F          | 100,00            | 106 | 10     | 42   | 65  | 30 | 40 | 0,690 | PHP 40-T10-32RSB |       |                  |
| 111,41 | 35         |                      |                 | 1F          | 109,55            | 115 | 10     | 45   | 70  | 30 | 40 | 0,780 | PHP 40-T10-35RSB |       |                  |
| 114,59 | 36         |                      |                 | 1F          | 112,75            | 119 | 10     | 45   | 70  | 30 | 40 | 0,870 | PHP 40-T10-36RSB |       |                  |
| 120,96 | 38         |                      |                 | 1F          | 119,10            | 125 | 10     | 48   | 75  | 30 | 40 | 0,970 | PHP 40-T10-38RSB |       |                  |
| 127,32 | 40         |                      |                 | 1F          | 125,45            | 131 | 10     | 52   | 80  | 30 | 40 | 1,070 | PHP 40-T10-40RSB |       |                  |
| 133,69 | 42         |                      |                 | 1           | 131,85            | –   | 10     | 52   | 80  | 30 | 40 | 1,210 | PHP 40-T10-42RSB |       |                  |
| 140,06 | 44         |                      |                 | 1           | 138,20            | –   | 10     | 57   | 88  | 30 | 40 | 1,350 | PHP 40-T10-44RSB |       |                  |
| 143,24 | 45         |                      |                 | 1           | 141,40            | –   | 16     | 59   | 90  | 30 | 40 | 1,430 | PHP 40-T10-45RSB |       |                  |
| 152,78 | 48         |                      |                 | 1           | 150,95            | –   | 16     | 62   | 95  | 30 | 40 | 1,520 | PHP 40-T10-48RSB |       |                  |
| 171,89 | 54         |                      |                 | 1           | 170,05            | –   | 16     | 65   | 100 | 30 | 40 | 1,790 | PHP 40-T10-54RSB |       |                  |
| 181,44 | 57         |                      |                 | 1           | 179,60            | –   | 16     | 72   | 110 | 30 | 40 | 2,060 | PHP 40-T10-57RSB |       |                  |
| 190,98 | 60         |                      |                 | 1           | 189,15            | –   | 16     | 72   | 110 | 30 | 40 | 2,340 | PHP 40-T10-60RSB |       |                  |
| 10     | 32         | 57,30                | 18              | 1F          | 55,45             | 60  | 10     | 26   | 40  | 37 | 47 | 0,250 | PHP 47-T10-18RSB |       |                  |
|        |            | 60,48                | 19              | 1F          | 58,65             | 66  | 10     | 28   | 44  | 37 | 47 | 0,290 | PHP 47-T10-19RSB |       |                  |
|        |            | 63,66                | 20              | 1F          | 61,80             | 66  | 12     | 30   | 46  | 37 | 47 | 0,320 | PHP 47-T10-20RSB |       |                  |
|        |            | 66,85                | 21              | 1F          | 65,00             | 71  | 12     | 32   | 49  | 37 | 47 | 0,360 | PHP 47-T10-21RSB |       |                  |
|        |            | 70,03                | 22              | 1F          | 68,20             | 75  | 12     | 34   | 52  | 37 | 47 | 0,390 | PHP 47-T10-22RSB |       |                  |
|        |            | 73,21                | 23              | 1F          | 71,35             | 77  | 12     | 36   | 55  | 37 | 47 | 0,430 | PHP 47-T10-23RSB |       |                  |
|        |            | 76,39                | 24              | 1F          | 74,55             | 83  | 12     | 38   | 58  | 37 | 47 | 0,480 | PHP 47-T10-24RSB |       |                  |
|        |            | 79,58                | 25              | 1F          | 77,75             | 83  | 12     | 39   | 60  | 37 | 47 | 0,530 | PHP 47-T10-25RSB |       |                  |
|        |            | 82,76                | 26              | 1F          | 80,90             | 87  | 12     | 39   | 60  | 37 | 47 | 0,560 | PHP 47-T10-26RSB |       |                  |
|        |            | 85,94                | 27              | 1F          | 84,10             | 91  | 12     | 39   | 60  | 37 | 47 | 0,600 | PHP 47-T10-27RSB |       |                  |
|        |            | 89,13                | 28              | 1F          | 87,25             | 93  | 12     | 39   | 60  | 37 | 47 | 0,640 | PHP 47-T10-28RSB |       |                  |
|        |            | 95,49                | 30              | 1F          | 93,65             | 99  | 12     | 39   | 60  | 37 | 47 | 0,740 | PHP 47-T10-30RSB |       |                  |



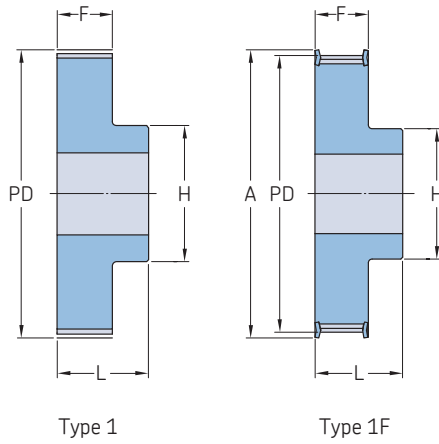
## Metric timing pulleys

10 mm pitch type T pilot bore (RSB)

| Pitch  | Belt width | Pitch diameter | Number of teeth | Pulley type | Dimensions        |     |        |      |     |    | Mass | Designation |                  |       |                  |
|--------|------------|----------------|-----------------|-------------|-------------------|-----|--------|------|-----|----|------|-------------|------------------|-------|------------------|
|        |            |                |                 |             | Outer diameter OD | A   | B Min. | Max. | H   | F  |      |             | L                |       |                  |
| –      | mm         | PD             | –               | –           | mm                | –   | –      | –    | –   | –  | kg   | –           |                  |       |                  |
| 10     | 32         | 101,86         | 32              | 1F          | 100,00            | 106 | 12     | 42   | 65  | 37 | 47   | 0,840       | PHP 47-T10-32RSB |       |                  |
|        |            | 111,41         | 35              | 1F          | 109,55            | 115 | 16     | 45   | 70  | 37 | 47   | 0,960       | PHP 47-T10-35RSB |       |                  |
|        |            | 114,59         | 36              | 1F          | 112,75            | 119 | 16     | 45   | 70  | 37 | 47   | 1,080       | PHP 47-T10-36RSB |       |                  |
|        |            | 120,96         | 38              | 1F          | 119,10            | 125 | 16     | 48   | 75  | 37 | 47   | 1,200       | PHP 47-T10-38RSB |       |                  |
|        |            | 127,32         | 40              | 1F          | 125,45            | 131 | 16     | 52   | 80  | 37 | 47   | 1,320       | PHP 47-T10-40RSB |       |                  |
|        |            | 133,69         | 42              | 1           | 131,85            | –   | 16     | 52   | 80  | 37 | 47   | 1,460       | PHP 47-T10-42RSB |       |                  |
|        |            | 140,06         | 44              | 1           | 138,20            | –   | 16     | 57   | 88  | 37 | 47   | 1,610       | PHP 47-T10-44RSB |       |                  |
|        |            | 143,24         | 45              | 1           | 141,40            | –   | 16     | 58   | 90  | 37 | 47   | 1,770       | PHP 47-T10-45RSB |       |                  |
|        |            | 152,79         | 48              | 1           | 150,95            | –   | 16     | 62   | 95  | 37 | 47   | 1,930       | PHP 47-T10-48RSB |       |                  |
|        |            | 171,89         | 54              | 1           | 170,05            | –   | 16     | 65   | 100 | 37 | 47   | 2,290       | PHP 47-T10-54RSB |       |                  |
|        |            | 181,44         | 57              | 1           | 179,60            | –   | 16     | 72   | 110 | 37 | 47   | 2,650       | PHP 47-T10-57RSB |       |                  |
|        |            | 190,99         | 60              | 1           | 189,15            | –   | 16     | 72   | 110 | 37 | 47   | 3,000       | PHP 47-T10-60RSB |       |                  |
|        |            | 10             | 50              | 57,30       | 18                | 1F  | 55,45  | 60   | 10  | 26 | 40   | 56          | 66               | 0,420 | PHP 66-T10-18RSB |
|        |            |                |                 | 60,48       | 19                | 1F  | 58,65  | 66   | 10  | 28 | 44   | 56          | 66               | 0,470 | PHP 66-T10-19RSB |
|        |            |                |                 | 63,66       | 20                | 1F  | 61,80  | 66   | 12  | 30 | 46   | 56          | 66               | 0,520 | PHP 66-T10-20RSB |
|        |            |                |                 | 66,85       | 21                | 1F  | 65,00  | 71   | 12  | 32 | 49   | 56          | 66               | 0,550 | PHP 66-T10-21RSB |
|        |            |                |                 | 70,03       | 22                | 1F  | 68,20  | 75   | 12  | 34 | 52   | 56          | 66               | 0,570 | PHP 66-T10-22RSB |
|        |            |                |                 | 73,21       | 23                | 1F  | 71,35  | 77   | 12  | 36 | 55   | 56          | 66               | 0,650 | PHP 66-T10-23RSB |
| 76,39  | 24         |                |                 | 1F          | 74,55             | 83  | 12     | 38   | 58  | 56 | 66   | 0,740       | PHP 66-T10-24RSB |       |                  |
| 79,58  | 25         |                |                 | 1F          | 77,75             | 83  | 12     | 39   | 60  | 56 | 66   | 0,770       | PHP 66-T10-25RSB |       |                  |
| 82,76  | 26         |                |                 | 1F          | 80,90             | 87  | 12     | 39   | 60  | 56 | 66   | 0,820       | PHP 66-T10-26RSB |       |                  |
| 85,94  | 27         |                |                 | 1F          | 84,10             | 91  | 12     | 39   | 60  | 56 | 66   | 0,950       | PHP 66-T10-27RSB |       |                  |
| 89,13  | 28         |                |                 | 1F          | 87,25             | 93  | 12     | 39   | 60  | 56 | 66   | 0,960       | PHP 66-T10-28RSB |       |                  |
| 95,49  | 30         |                |                 | 1F          | 93,65             | 99  | 12     | 39   | 60  | 56 | 66   | 1,170       | PHP 66-T10-30RSB |       |                  |
| 101,86 | 32         |                |                 | 1F          | 100,00            | 106 | 12     | 42   | 65  | 56 | 66   | 1,300       | PHP 66-T10-32RSB |       |                  |
| 111,41 | 35         |                |                 | 1F          | 109,55            | 115 | 16     | 45   | 70  | 56 | 66   | 1,470       | PHP 66-T10-35RSB |       |                  |
| 114,59 | 36         |                |                 | 1F          | 112,75            | 119 | 16     | 45   | 70  | 56 | 66   | 1,640       | PHP 66-T10-36RSB |       |                  |
| 120,96 | 38         |                |                 | 1F          | 119,10            | 125 | 16     | 48   | 75  | 56 | 66   | 1,820       | PHP 66-T10-38RSB |       |                  |
| 127,32 | 40         |                |                 | 1F          | 125,45            | 131 | 16     | 52   | 80  | 56 | 66   | 2,000       | PHP 66-T10-40RSB |       |                  |
| 133,69 | 42         |                |                 | 1           | 131,85            | –   | 16     | 57   | 80  | 56 | 66   | 2,180       | PHP 66-T10-42RSB |       |                  |
| 140,06 | 44         |                |                 | 1           | 138,20            | –   | 16     | 52   | 88  | 56 | 66   | 2,360       | PHP 66-T10-44RSB |       |                  |
| 143,24 | 45         |                |                 | 1           | 141,40            | –   | 16     | 58   | 90  | 56 | 66   | 2,590       | PHP 66-T10-45RSB |       |                  |
| 152,79 | 48         |                |                 | 1           | 150,95            | –   | 16     | 62   | 95  | 56 | 66   | 2,830       | PHP 66-T10-48RSB |       |                  |
| 171,89 | 54         |                |                 | 1           | 170,05            | –   | 16     | 65   | 100 | 56 | 66   | 3,340       | PHP 66-T10-54RSB |       |                  |
| 181,44 | 57         |                |                 | 1           | 179,60            | –   | 16     | 72   | 110 | 56 | 66   | 3,850       | PHP 66-T10-57RSB |       |                  |
| 190,99 | 60         |                |                 | 1           | 189,15            | –   | 16     | 72   | 110 | 56 | 66   | 4,370       | PHP 66-T10-60RSB |       |                  |

# Metric timing pulleys

5 mm pitch type AT pilot bore (RSB)



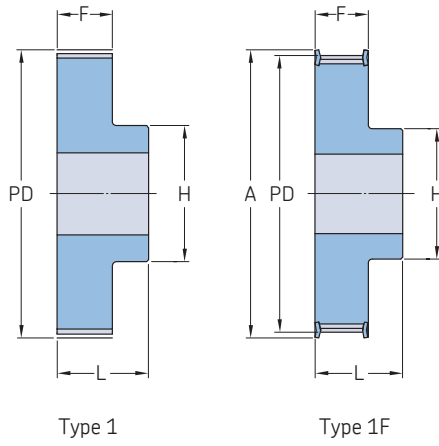
| Pitch | Belt width | Pitch diameter<br>PD | Number of teeth | Pulley type | Dimensions           |       |           |      |    |    |      | Mass             | Designation      |                  |
|-------|------------|----------------------|-----------------|-------------|----------------------|-------|-----------|------|----|----|------|------------------|------------------|------------------|
|       |            |                      |                 |             | Outer diameter<br>OD | A     | B<br>Min. | Max. | H  | F  | L    |                  |                  |                  |
| mm    |            |                      |                 |             | mm                   |       |           |      |    |    |      | kg               |                  |                  |
| 5     | 10         | 15,92                | 10              | 1F          | 14,65                | 20    | 4         | 5    | 8  | 15 | 21   | 0,01             | PHP 21-AT5-10RSB |                  |
|       |            | 19,10                | 12              | 1F          | 17,85                | 23    | 4         | 7    | 12 | 15 | 21   | 0,02             | PHP 21-AT5-12RSB |                  |
|       |            | 20,69                | 13              | 1F          | 19,45                | 25    | 6         | 8    | 13 | 15 | 21   | 0,02             | PHP 21-AT5-13RSB |                  |
|       |            | 22,29                | 14              | 1F          | 21,05                | 26    | 6         | 9    | 14 | 15 | 21   | 0,02             | PHP 21-AT5-14RSB |                  |
|       |            | 23,88                | 15              | 1F          | 22,65                | 28    | 6         | 10   | 16 | 15 | 21   | 0,02             | PHP 21-AT5-15RSB |                  |
|       |            | 25,47                | 16              | 1F          | 24,20                | 32    | 6         | 11   | 18 | 15 | 21   | 0,03             | PHP 21-AT5-16RSB |                  |
|       |            | 27,06                | 17              | 1F          | 25,80                | 32    | 6         | 12   | 19 | 15 | 21   | 0,03             | PHP 21-AT5-17RSB |                  |
|       |            | 28,65                | 18              | 1F          | 27,40                | 32    | 6         | 13   | 20 | 15 | 21   | 0,03             | PHP 21-AT5-18RSB |                  |
|       |            | 30,25                | 19              | 1F          | 29,00                | 36    | 6         | 14   | 22 | 15 | 21   | 0,04             | PHP 21-AT5-19RSB |                  |
|       |            | 31,83                | 20              | 1F          | 30,60                | 36    | 6         | 15   | 23 | 15 | 21   | 0,04             | PHP 21-AT5-20RSB |                  |
|       |            | 33,42                | 21              | 1F          | 32,20                | 38    | 6         | 15   | 24 | 15 | 21   | 0,04             | PHP 21-AT5-21RSB |                  |
|       |            | 35,02                | 22              | 1F          | 33,85                | 38    | 6         | 15   | 24 | 15 | 21   | 0,05             | PHP 21-AT5-22RSB |                  |
|       |            | 36,61                | 23              | 1F          | 35,40                | 42    | 6         | 17   | 25 | 15 | 21   | 0,05             | PHP 21-AT5-23RSB |                  |
|       |            | 38,21                | 24              | 1F          | 37,00                | 44    | 6         | 17   | 26 | 15 | 21   | 0,05             | PHP 21-AT5-24RSB |                  |
|       |            | 39,80                | 25              | 1F          | 38,60                | 44    | 6         | 17   | 26 | 15 | 21   | 0,06             | PHP 21-AT5-25RSB |                  |
|       |            | 41,38                | 26              | 1F          | 40,20                | 44    | 6         | 17   | 26 | 15 | 21   | 0,06             | PHP 21-AT5-26RSB |                  |
|       | 42,98      | 27                   | 1F              | 41,80       | 48                   | 8     | 19        | 30   | 15 | 21 | 0,06 | PHP 21-AT5-27RSB |                  |                  |
|       | 44,56      | 28                   | 1F              | 43,35       | 48                   | 8     | 20        | 32   | 15 | 21 | 0,07 | PHP 21-AT5-28RSB |                  |                  |
|       | 47,76      | 30                   | 1F              | 46,55       | 51                   | 8     | 22        | 34   | 15 | 21 | 0,08 | PHP 21-AT5-30RSB |                  |                  |
|       | 50,94      | 32                   | 1F              | 49,70       | 54                   | 8     | 24        | 38   | 15 | 21 | 0,09 | PHP 21-AT5-32RSB |                  |                  |
|       | 57,31      | 36                   | 1F              | 56,05       | 63                   | 8     | 24        | 38   | 15 | 21 | 0,11 | PHP 21-AT5-36RSB |                  |                  |
|       | 60,48      | 38                   | 1F              | 59,25       | 66                   | 8     | 26        | 40   | 15 | 21 | 0,13 | PHP 21-AT5-38RSB |                  |                  |
|       | 63,66      | 40                   | 1F              | 62,45       | 66                   | 8     | 26        | 40   | 15 | 21 | 0,14 | PHP 21-AT5-40RSB |                  |                  |
|       | 66,74      | 42                   | 1F              | 65,60       | 71                   | 8     | 26        | 40   | 15 | 21 | 0,18 | PHP 21-AT5-42RSB |                  |                  |
|       | 70,05      | 44                   | 1               | 68,80       | -                    | 8     | 29        | 45   | 15 | 21 | 0,19 | PHP 21-AT5-44RSB |                  |                  |
|       | 71,62      | 45                   | 1               | 70,35       | -                    | 8     | 29        | 45   | 15 | 21 | 0,19 | PHP 21-AT5-45RSB |                  |                  |
|       | 76,42      | 48                   | 1               | 75,15       | -                    | 8     | 32        | 50   | 15 | 21 | 0,20 | PHP 21-AT5-48RSB |                  |                  |
|       | 95,52      | 60                   | 1               | 94,25       | -                    | 8     | 37        | 65   | 15 | 21 | 0,31 | PHP 21-AT5-60RSB |                  |                  |
|       | 114,62     | 72                   | 1               | 113,15      | -                    | 10    | 42        | 80   | 15 | 21 | 0,41 | PHP 21-AT5-72RSB |                  |                  |
|       | 5          | 16                   | 15,92           | 10          | 1F                   | 14,65 | 20        | 4    | 5  | 8  | 21   | 27               | 0,02             | PHP 27-AT5-10RSB |
|       |            |                      | 19,10           | 12          | 1F                   | 17,85 | 23        | 4    | 7  | 12 | 21   | 27               | 0,02             | PHP 27-AT5-12RSB |
|       |            |                      | 20,69           | 13          | 1F                   | 19,45 | 25        | 6    | 8  | 13 | 21   | 27               | 0,02             | PHP 27-AT5-13RSB |
| 22,29 |            |                      | 14              | 1F          | 21,05                | 26    | 6         | 9    | 14 | 21 | 27   | 0,03             | PHP 27-AT5-14RSB |                  |
| 23,88 |            |                      | 15              | 1F          | 22,65                | 28    | 6         | 10   | 16 | 21 | 27   | 0,03             | PHP 27-AT5-15RSB |                  |
| 25,47 |            |                      | 16              | 1F          | 24,20                | 32    | 6         | 11   | 18 | 21 | 27   | 0,04             | PHP 27-AT5-16RSB |                  |
| 27,06 |            |                      | 17              | 1F          | 25,80                | 32    | 6         | 12   | 19 | 21 | 27   | 0,04             | PHP 27-AT5-17RSB |                  |
| 28,65 |            |                      | 18              | 1F          | 27,40                | 32    | 6         | 13   | 20 | 21 | 27   | 0,04             | PHP 27-AT5-18RSB |                  |
| 30,25 |            |                      | 19              | 1F          | 29,00                | 36    | 6         | 14   | 22 | 21 | 27   | 0,05             | PHP 27-AT5-19RSB |                  |
| 31,83 |            |                      | 20              | 1F          | 30,60                | 36    | 6         | 15   | 23 | 21 | 27   | 0,05             | PHP 27-AT5-20RSB |                  |
| 33,42 |            |                      | 21              | 1F          | 32,20                | 38    | 6         | 15   | 24 | 21 | 27   | 0,05             | PHP 27-AT5-21RSB |                  |
| 35,02 |            |                      | 22              | 1F          | 33,85                | 38    | 6         | 15   | 24 | 21 | 27   | 0,05             | PHP 27-AT5-22RSB |                  |
| 36,61 |            |                      | 23              | 1F          | 35,40                | 42    | 6         | 17   | 25 | 21 | 27   | 0,07             | PHP 27-AT5-23RSB |                  |
| 38,21 |            |                      | 24              | 1F          | 37,00                | 44    | 6         | 17   | 26 | 21 | 27   | 0,08             | PHP 27-AT5-24RSB |                  |
| 39,80 |            |                      | 25              | 1F          | 38,60                | 44    | 6         | 17   | 26 | 21 | 27   | 0,08             | PHP 27-AT5-25RSB |                  |
| 41,38 |            |                      | 26              | 1F          | 40,20                | 44    | 6         | 17   | 26 | 21 | 27   | 0,09             | PHP 27-AT5-26RSB |                  |
| 42,98 |            | 27                   | 1F              | 41,80       | 48                   | 8     | 19        | 30   | 21 | 27 | 0,09 | PHP 27-AT5-27RSB |                  |                  |
| 44,56 |            | 28                   | 1F              | 43,35       | 48                   | 8     | 20        | 32   | 21 | 27 | 0,09 | PHP 27-AT5-28RSB |                  |                  |
| 47,76 |            | 30                   | 1F              | 46,55       | 51                   | 8     | 22        | 34   | 21 | 27 | 0,11 | PHP 27-AT5-30RSB |                  |                  |
| 50,94 |            | 32                   | 1F              | 49,70       | 54                   | 8     | 24        | 38   | 21 | 27 | 0,12 | PHP 27-AT5-32RSB |                  |                  |
| 57,31 |            | 36                   | 1F              | 56,05       | 63                   | 8     | 24        | 38   | 21 | 27 | 0,16 | PHP 27-AT5-36RSB |                  |                  |
| 60,48 |            | 38                   | 1F              | 59,25       | 66                   | 8     | 26        | 40   | 21 | 27 | 0,18 | PHP 27-AT5-38RSB |                  |                  |
| 63,66 |            | 40                   | 1F              | 62,45       | 66                   | 8     | 26        | 40   | 21 | 27 | 0,19 | PHP 27-AT5-40RSB |                  |                  |
| 66,74 |            | 42                   | 1F              | 65,60       | 71                   | 8     | 26        | 40   | 21 | 27 | 0,21 | PHP 27-AT5-42RSB |                  |                  |
| 70,05 |            | 44                   | 1               | 68,80       | -                    | 8     | 29        | 45   | 21 | 27 | 0,23 | PHP 27-AT5-44RSB |                  |                  |

# Metric timing pulleys

5 mm pitch type AT pilot bore (RSB) | 10 mm pitch type AT pilot bore (RSB)

| Pitch  | Belt width | Pitch diameter<br>PD | Number of teeth | Pulley type | Dimensions        |     |        |      |     |    |    | Mass | Designation       |      |                   |
|--------|------------|----------------------|-----------------|-------------|-------------------|-----|--------|------|-----|----|----|------|-------------------|------|-------------------|
|        |            |                      |                 |             | Outer diameter OD | A   | B Min. | Max. | H   | F  | L  |      |                   |      |                   |
| mm     |            |                      | -               | -           | mm                |     |        |      |     |    |    | kg   | -                 |      |                   |
| 5      | 16         | 71,62                | 45              | 1           | 70,35             | -   | 8      | 29   | 45  | 21 | 27 | 0,26 | PHP 27-AT5-45RSB  |      |                   |
|        |            | 76,42                | 48              | 1           | 75,15             | -   | 8      | 32   | 50  | 21 | 27 | 0,28 | PHP 27-AT5-48RSB  |      |                   |
|        |            | 95,52                | 60              | 1           | 94,25             | -   | 8      | 37   | 65  | 21 | 27 | 0,43 | PHP 27-AT5-60RSB  |      |                   |
|        |            | 114,62               | 72              | 1           | 113,15            | -   | 10     | 42   | 80  | 21 | 27 | 0,41 | PHP 27-AT5-72RSB  |      |                   |
| 5      | 25         | 15,92                | 10              | 1F          | 14,65             | 20  | 4      | 5    | 8   | 30 | 36 | 0,02 | PHP 36-AT5-10RSB  |      |                   |
|        |            | 19,10                | 12              | 1F          | 17,85             | 23  | 6      | 7    | 12  | 30 | 36 | 0,03 | PHP 36-AT5-12RSB  |      |                   |
|        |            | 20,69                | 13              | 1F          | 19,45             | 25  | 6      | 8    | 13  | 30 | 36 | 0,03 | PHP 36-AT5-13RSB  |      |                   |
|        |            | 22,29                | 14              | 1F          | 21,05             | 26  | 6      | 9    | 14  | 30 | 36 | 0,04 | PHP 36-AT5-14RSB  |      |                   |
|        |            | 23,88                | 15              | 1F          | 22,65             | 28  | 6      | 10   | 16  | 30 | 36 | 0,04 | PHP 36-AT5-15RSB  |      |                   |
|        |            | 25,47                | 16              | 1F          | 24,20             | 32  | 6      | 11   | 18  | 30 | 36 | 0,05 | PHP 36-AT5-16RSB  |      |                   |
|        |            | 27,06                | 17              | 1F          | 25,80             | 32  | 6      | 12   | 19  | 30 | 36 | 0,06 | PHP 36-AT5-17RSB  |      |                   |
|        |            | 28,65                | 18              | 1F          | 27,40             | 32  | 6      | 13   | 20  | 30 | 36 | 0,06 | PHP 36-AT5-18RSB  |      |                   |
|        |            | 30,25                | 19              | 1F          | 29,00             | 36  | 6      | 14   | 22  | 30 | 36 | 0,07 | PHP 36-AT5-19RSB  |      |                   |
|        |            | 31,83                | 20              | 1F          | 30,60             | 36  | 6      | 15   | 23  | 30 | 36 | 0,08 | PHP 36-AT5-20RSB  |      |                   |
|        |            | 33,42                | 21              | 1F          | 32,20             | 38  | 6      | 15   | 24  | 30 | 36 | 0,08 | PHP 36-AT5-21RSB  |      |                   |
|        |            | 35,02                | 22              | 1F          | 33,85             | 38  | 6      | 15   | 24  | 30 | 36 | 0,08 | PHP 36-AT5-22RSB  |      |                   |
|        |            | 36,61                | 23              | 1F          | 35,40             | 42  | 6      | 16   | 25  | 30 | 36 | 0,09 | PHP 36-AT5-23RSB  |      |                   |
|        |            | 38,21                | 24              | 1F          | 37,00             | 44  | 8      | 17   | 26  | 30 | 36 | 0,11 | PHP 36-AT5-24RSB  |      |                   |
|        |            | 39,80                | 25              | 1F          | 38,60             | 44  | 8      | 17   | 26  | 30 | 36 | 0,12 | PHP 36-AT5-25RSB  |      |                   |
|        |            | 41,38                | 26              | 1F          | 40,20             | 44  | 8      | 17   | 26  | 30 | 36 | 0,12 | PHP 36-AT5-26RSB  |      |                   |
|        |            | 42,98                | 27              | 1F          | 41,80             | 48  | 8      | 19   | 30  | 30 | 36 | 0,13 | PHP 36-AT5-27RSB  |      |                   |
|        |            | 44,56                | 28              | 1F          | 43,35             | 48  | 8      | 20   | 32  | 30 | 36 | 0,13 | PHP 36-AT5-28RSB  |      |                   |
|        |            | 47,76                | 30              | 1F          | 46,55             | 51  | 8      | 22   | 34  | 30 | 36 | 0,15 | PHP 36-AT5-30RSB  |      |                   |
|        |            | 50,94                | 32              | 1F          | 49,70             | 54  | 8      | 24   | 38  | 30 | 36 | 0,18 | PHP 36-AT5-32RSB  |      |                   |
|        |            | 57,31                | 36              | 1F          | 56,05             | 63  | 8      | 24   | 38  | 30 | 36 | 0,23 | PHP 36-AT5-36RSB  |      |                   |
|        |            | 60,48                | 38              | 1F          | 59,25             | 66  | 8      | 26   | 40  | 30 | 36 | 0,25 | PHP 36-AT5-38RSB  |      |                   |
|        |            | 63,66                | 40              | 1F          | 62,45             | 66  | 8      | 26   | 40  | 30 | 36 | 0,28 | PHP 36-AT5-40RSB  |      |                   |
|        |            | 66,74                | 42              | 1F          | 65,60             | 71  | 8      | 26   | 40  | 30 | 36 | 0,28 | PHP 36-AT5-42RSB  |      |                   |
|        |            | 70,05                | 44              | 1           | 68,80             | -   | 8      | 29   | 45  | 30 | 36 | 0,32 | PHP 36-AT5-44RSB  |      |                   |
|        |            | 71,62                | 45              | 1           | 70,35             | -   | 8      | 30   | 45  | 30 | 36 | 0,36 | PHP 36-AT5-45RSB  |      |                   |
|        |            | 76,42                | 48              | 1           | 75,15             | -   | 8      | 32   | 50  | 30 | 36 | 0,40 | PHP 36-AT5-48RSB  |      |                   |
|        |            | 95,52                | 60              | 1           | 94,25             | -   | 8      | 37   | 65  | 30 | 36 | 0,61 | PHP 36-AT5-60RSB  |      |                   |
|        |            | 114,62               | 72              | 1           | 113,15            | -   | 10     | 42   | 80  | 30 | 36 | 0,83 | PHP 36-AT5-72RSB  |      |                   |
|        |            | 10                   | 16              | 38,20       | 12                | 1F  | 36,35  | 42   | 6   | 18 | 28 | 21   | 31                | 0,08 | PHP 31-AT10-12RSB |
|        |            |                      |                 | 44,60       | 14                | 1F  | 42,70  | 48   | 8   | 21 | 32 | 21   | 31                | 0,10 | PHP 31-AT10-14RSB |
|        |            |                      |                 | 47,75       | 15                | 1F  | 45,90  | 51   | 8   | 21 | 32 | 21   | 31                | 0,12 | PHP 31-AT10-15RSB |
|        |            |                      |                 | 50,93       | 16                | 1F  | 49,05  | 54   | 8   | 23 | 35 | 21   | 31                | 0,13 | PHP 31-AT10-16RSB |
|        |            |                      |                 | 54,11       | 17                | 1F  | 52,25  | 58   | 8   | 24 | 38 | 21   | 31                | 0,15 | PHP 31-AT10-17RSB |
|        |            |                      |                 | 57,29       | 18                | 1F  | 55,45  | 60   | 8   | 26 | 40 | 21   | 31                | 0,17 | PHP 31-AT10-18RSB |
|        |            |                      |                 | 60,48       | 19                | 1F  | 58,65  | 66   | 8   | 28 | 44 | 21   | 31                | 0,19 | PHP 31-AT10-19RSB |
| 63,66  | 20         |                      |                 | 1F          | 61,80             | 66  | 8      | 30   | 46  | 21 | 31 | 0,21 | PHP 31-AT10-20RSB |      |                   |
| 66,85  | 21         |                      |                 | 1F          | 65,00             | 71  | 8      | 32   | 48  | 21 | 31 | 0,23 | PHP 31-AT10-21RSB |      |                   |
| 70,03  | 22         |                      |                 | 1F          | 68,15             | 75  | 8      | 34   | 52  | 21 | 31 | 0,25 | PHP 31-AT10-22RSB |      |                   |
| 73,21  | 23         |                      |                 | 1F          | 71,35             | 77  | 8      | 36   | 55  | 21 | 31 | 0,27 | PHP 31-AT10-23RSB |      |                   |
| 76,39  | 24         |                      |                 | 1F          | 74,55             | 83  | 8      | 38   | 58  | 21 | 31 | 0,29 | PHP 31-AT10-24RSB |      |                   |
| 79,58  | 25         |                      |                 | 1F          | 77,75             | 83  | 8      | 39   | 60  | 21 | 31 | 0,31 | PHP 31-AT10-25RSB |      |                   |
| 82,76  | 26         |                      |                 | 1F          | 80,90             | 87  | 8      | 39   | 60  | 21 | 31 | 0,36 | PHP 31-AT10-26RSB |      |                   |
| 85,95  | 27         |                      |                 | 1F          | 84,10             | 91  | 8      | 39   | 60  | 21 | 31 | 0,36 | PHP 31-AT10-27RSB |      |                   |
| 89,25  | 28         |                      |                 | 1F          | 87,25             | 93  | 8      | 39   | 60  | 21 | 31 | 0,40 | PHP 31-AT10-28RSB |      |                   |
| 95,49  | 30         |                      |                 | 1F          | 93,65             | 99  | 8      | 39   | 60  | 21 | 31 | 0,44 | PHP 31-AT10-30RSB |      |                   |
| 101,86 | 32         |                      |                 | 1F          | 100,00            | 106 | 10     | 42   | 65  | 21 | 31 | 0,49 | PHP 31-AT10-32RSB |      |                   |
| 114,59 | 36         |                      |                 | 1F          | 112,75            | 119 | 10     | 45   | 70  | 21 | 31 | 0,63 | PHP 31-AT10-36RSB |      |                   |
| 120,96 | 38         |                      |                 | 1F          | 119,10            | 125 | 10     | 48   | 75  | 21 | 31 | 0,70 | PHP 31-AT10-38RSB |      |                   |
| 127,32 | 40         |                      |                 | 1F          | 125,45            | 131 | 10     | 52   | 80  | 21 | 31 | 0,77 | PHP 31-AT10-40RSB |      |                   |
| 133,69 | 42         |                      |                 | 1           | 131,85            | -   | 10     | 57   | 80  | 21 | 31 | 0,88 | PHP 31-AT10-42RSB |      |                   |
| 140,05 | 44         |                      |                 | 1           | 138,20            | -   | 10     | 57   | 88  | 21 | 31 | 0,99 | PHP 31-AT10-44RSB |      |                   |
| 143,24 | 45         |                      |                 | 1           | 141,40            | -   | 16     | 59   | 90  | 21 | 31 | 1,01 | PHP 31-AT10-45RSB |      |                   |
| 152,78 | 48         |                      |                 | 1           | 150,95            | -   | 16     | 62   | 95  | 21 | 31 | 1,09 | PHP 31-AT10-48RSB |      |                   |
| 190,98 | 60         |                      |                 | 1           | 189,15            | -   | 16     | 72   | 110 | 21 | 31 | 1,71 | PHP 31-AT10-60RSB |      |                   |
| 10     | 25         |                      |                 | 38,20       | 12                | 1F  | 36,40  | 42   | 6   | 18 | 28 | 30   | 40                | 0,10 | PHP 40-AT10-12RSB |
|        |            |                      |                 | 44,60       | 14                | 1F  | 42,70  | 48   | 8   | 21 | 32 | 30   | 40                | 0,13 | PHP 40-AT10-14RSB |
|        |            |                      |                 | 47,80       | 15                | 1F  | 45,90  | 51   | 8   | 21 | 32 | 30   | 40                | 0,15 | PHP 40-AT10-15RSB |
|        |            |                      |                 | 50,90       | 16                | 1F  | 49,10  | 54   | 8   | 23 | 35 | 30   | 40                | 0,18 | PHP 40-AT10-16RSB |
|        |            |                      |                 | 54,10       | 17                | 1F  | 52,20  | 58   | 8   | 24 | 37 | 30   | 40                | 0,20 | PHP 40-AT10-17RSB |
|        |            |                      |                 | 57,30       | 18                | 1F  | 55,50  | 60   | 8   | 26 | 40 | 30   | 40                | 0,22 | PHP 40-AT10-18RSB |
|        |            |                      |                 | 60,50       | 19                | 1F  | 58,60  | 66   | 8   | 28 | 44 | 30   | 40                | 0,25 | PHP 40-AT10-19RSB |
|        |            |                      |                 | 63,70       | 20                | 1F  | 61,80  | 66   | 8   | 30 | 46 | 30   | 40                | 0,28 | PHP 40-AT10-20RSB |
|        |            |                      |                 | 66,80       | 21                | 1F  | 65,00  | 71   | 8   | 32 | 49 | 30   | 40                | 0,31 | PHP 40-AT10-21RSB |
|        |            |                      |                 | 70,00       | 22                | 1F  | 68,20  | 75   | 8   | 34 | 52 | 30   | 40                | 0,34 | PHP 40-AT10-22RSB |
|        |            | 73,20                | 23              | 1F          | 71,30             | 77  | 8      | 36   | 55  | 30 | 40 | 0,36 | PHP 40-AT10-23RSB |      |                   |
|        |            | 76,40                | 24              | 1F          | 74,50             | 83  | 8      | 38   | 58  | 30 | 40 | 0,39 | PHP 40-AT10-24RSB |      |                   |
|        |            | 79,60                | 25              | 1F          | 77,80             | 83  | 8      | 39   | 60  | 30 | 40 | 0,42 | PHP 40-AT10-25RSB |      |                   |
|        |            | 82,80                | 26              | 1F          | 80,90             | 87  | 8      | 39   | 60  | 30 | 40 | 0,48 | PHP 40-AT10-26RSB |      |                   |

**Metric timing pulleys**  
10 mm pitch type AT pilot bore (RSB)



| Pitch  | Belt width | Pitch diameter<br>PD | Number of teeth | Pulley type | Dimensions           |     |           |      |     |    |    | Mass | Designation       |      |                   |
|--------|------------|----------------------|-----------------|-------------|----------------------|-----|-----------|------|-----|----|----|------|-------------------|------|-------------------|
|        |            |                      |                 |             | Outer diameter<br>OD | A   | B<br>Min. | Max. | H   | F  | L  |      |                   |      |                   |
| mm     |            |                      |                 |             | mm                   |     |           |      |     |    |    | kg   |                   |      |                   |
| 10     | 25         | 86,00                | 27              | 1F          | 84,10                | 91  | 8         | 39   | 60  | 30 | 40 | 0,54 | PHP 40-AT10-27RSB |      |                   |
|        |            | 89,20                | 28              | 1F          | 87,20                | 93  | 8         | 39   | 60  | 30 | 40 | 0,54 | PHP 40-AT10-28RSB |      |                   |
|        |            | 95,50                | 30              | 1F          | 93,70                | 99  | 8         | 39   | 60  | 30 | 40 | 0,64 | PHP 40-AT10-30RSB |      |                   |
|        |            | 101,90               | 32              | 1F          | 100,00               | 106 | 10        | 42   | 65  | 30 | 40 | 0,69 | PHP 40-AT10-32RSB |      |                   |
|        |            | 114,60               | 36              | 1F          | 112,80               | 119 | 10        | 45   | 70  | 30 | 40 | 0,87 | PHP 40-AT10-36RSB |      |                   |
|        |            | 121,00               | 38              | 1F          | 119,10               | 125 | 10        | 48   | 75  | 30 | 40 | 0,97 | PHP 40-AT10-38RSB |      |                   |
|        |            | 127,30               | 40              | 1F          | 125,50               | 131 | 10        | 52   | 80  | 30 | 40 | 1,07 | PHP 40-AT10-40RSB |      |                   |
|        |            | 133,70               | 42              | 1           | 131,80               | -   | 10        | 57   | 80  | 30 | 40 | 1,21 | PHP 40-AT10-42RSB |      |                   |
|        |            | 140,10               | 44              | 1           | 138,20               | -   | 10        | 57   | 88  | 30 | 40 | 1,35 | PHP 40-AT10-44RSB |      |                   |
|        |            | 143,20               | 45              | 1           | 141,40               | -   | 16        | 59   | 90  | 30 | 40 | 1,43 | PHP 40-AT10-45RSB |      |                   |
|        |            | 152,80               | 48              | 1           | 150,90               | -   | 16        | 62   | 95  | 30 | 40 | 1,52 | PHP 40-AT10-48RSB |      |                   |
|        |            | 191,00               | 60              | 1           | 189,20               | -   | 16        | 72   | 110 | 30 | 40 | 2,34 | PHP 40-AT10-60RSB |      |                   |
|        |            | 10                   | 32              | 57,29       | 18                   | 1F  | 55,45     | 60   | 8   | 26 | 40 | 37   | 47                | 0,25 | PHP 47-AT10-18RSB |
|        |            |                      |                 | 60,48       | 19                   | 1F  | 58,65     | 66   | 8   | 28 | 44 | 37   | 47                | 0,29 | PHP 47-AT10-19RSB |
|        |            |                      |                 | 63,66       | 20                   | 1F  | 61,80     | 66   | 8   | 30 | 46 | 37   | 47                | 0,32 | PHP 47-AT10-20RSB |
|        |            |                      |                 | 66,85       | 21                   | 1F  | 65,00     | 71   | 8   | 32 | 49 | 37   | 47                | 0,36 | PHP 47-AT10-21RSB |
|        |            |                      |                 | 70,03       | 22                   | 1F  | 68,15     | 75   | 8   | 34 | 52 | 37   | 47                | 0,39 | PHP 47-AT10-22RSB |
|        |            |                      |                 | 73,21       | 23                   | 1F  | 71,35     | 77   | 8   | 36 | 55 | 37   | 47                | 0,43 | PHP 47-AT10-23RSB |
| 76,39  | 24         |                      |                 | 1F          | 74,55                | 83  | 8         | 38   | 58  | 37 | 47 | 0,48 | PHP 47-AT10-24RSB |      |                   |
| 79,58  | 25         |                      |                 | 1F          | 77,75                | 83  | 8         | 39   | 60  | 37 | 47 | 0,53 | PHP 47-AT10-25RSB |      |                   |
| 82,76  | 26         |                      |                 | 1F          | 80,90                | 87  | 8         | 39   | 60  | 37 | 47 | 0,56 | PHP 47-AT10-26RSB |      |                   |
| 85,95  | 27         |                      |                 | 1F          | 84,10                | 91  | 8         | 39   | 60  | 37 | 47 | 0,60 | PHP 47-AT10-27RSB |      |                   |
| 89,25  | 28         |                      |                 | 1F          | 87,25                | 93  | 8         | 39   | 60  | 37 | 47 | 0,64 | PHP 47-AT10-28RSB |      |                   |
| 95,49  | 30         |                      |                 | 1F          | 93,65                | 99  | 8         | 39   | 60  | 37 | 47 | 0,74 | PHP 47-AT10-30RSB |      |                   |
| 101,86 | 32         |                      |                 | 1F          | 100,00               | 106 | 10        | 42   | 65  | 37 | 47 | 0,84 | PHP 47-AT10-32RSB |      |                   |
| 111,41 | 35         |                      |                 | 1F          | 109,55               | 115 | 10        | 45   | 70  | 37 | 47 | 0,96 | PHP 47-AT10-35RSB |      |                   |
| 114,59 | 36         |                      |                 | 1F          | 112,75               | 119 | 10        | 45   | 70  | 37 | 47 | 1,08 | PHP 47-AT10-36RSB |      |                   |
| 120,96 | 38         |                      |                 | 1F          | 119,10               | 125 | 10        | 48   | 75  | 37 | 47 | 1,20 | PHP 47-AT10-38RSB |      |                   |
| 127,32 | 40         |                      |                 | 1F          | 125,45               | 131 | 10        | 52   | 80  | 37 | 47 | 1,32 | PHP 47-AT10-40RSB |      |                   |
| 133,69 | 42         |                      |                 | 1           | 131,85               | -   | 10        | 57   | 80  | 37 | 47 | 1,46 | PHP 47-AT10-42RSB |      |                   |
| 140,20 | 44         |                      |                 | 1           | 138,20               | -   | 10        | 57   | 88  | 37 | 47 | 1,61 | PHP 47-AT10-44RSB |      |                   |
| 143,24 | 45         |                      |                 | 1           | 141,40               | -   | 10        | 59   | 90  | 37 | 47 | 1,77 | PHP 47-AT10-45RSB |      |                   |
| 152,78 | 48         |                      |                 | 1           | 150,95               | -   | 16        | 62   | 95  | 37 | 47 | 1,93 | PHP 47-AT10-48RSB |      |                   |
| 171,89 | 54         |                      |                 | 1           | 170,05               | -   | 16        | 66   | 100 | 37 | 47 | 2,29 | PHP 47-AT10-54RSB |      |                   |
| 181,44 | 57         |                      |                 | 1           | 179,60               | -   | 16        | 72   | 110 | 37 | 47 | 2,64 | PHP 47-AT10-57RSB |      |                   |
| 190,98 | 60         |                      |                 | 1           | 189,15               | -   | 16        | 72   | 110 | 37 | 47 | 3,00 | PHP 47-AT10-60RSB |      |                   |
| 10     | 50         | 57,29                | 18              | 1F          | 55,45                | 60  | 10        | 26   | 40  | 56 | 66 | 0,42 | PHP 66-AT10-18RSB |      |                   |
|        |            | 60,48                | 19              | 1F          | 58,65                | 66  | 10        | 28   | 44  | 56 | 66 | 0,47 | PHP 66-AT10-19RSB |      |                   |
|        |            | 63,66                | 20              | 1F          | 61,80                | 66  | 12        | 30   | 46  | 56 | 66 | 0,52 | PHP 66-AT10-20RSB |      |                   |
|        |            | 66,85                | 21              | 1F          | 65,00                | 71  | 12        | 32   | 49  | 56 | 66 | 0,55 | PHP 66-AT10-21RSB |      |                   |
|        |            | 70,20                | 22              | 1F          | 68,15                | 75  | 12        | 34   | 52  | 56 | 66 | 0,57 | PHP 66-AT10-22RSB |      |                   |
|        |            | 73,21                | 23              | 1F          | 71,35                | 77  | 12        | 36   | 55  | 56 | 66 | 0,65 | PHP 66-AT10-23RSB |      |                   |
|        |            | 76,39                | 24              | 1F          | 74,55                | 83  | 12        | 38   | 58  | 56 | 66 | 0,74 | PHP 66-AT10-24RSB |      |                   |
|        |            | 79,58                | 25              | 1F          | 77,75                | 83  | 12        | 39   | 60  | 56 | 66 | 0,77 | PHP 66-AT10-25RSB |      |                   |
|        |            | 82,76                | 26              | 1F          | 80,90                | 87  | 12        | 39   | 60  | 56 | 66 | 0,82 | PHP 66-AT10-26RSB |      |                   |
|        |            | 85,95                | 27              | 1F          | 84,10                | 90  | 12        | 39   | 60  | 56 | 66 | 0,95 | PHP 66-AT10-27RSB |      |                   |
|        |            | 89,25                | 28              | 1F          | 87,25                | 93  | 12        | 39   | 60  | 56 | 66 | 0,96 | PHP 66-AT10-28RSB |      |                   |
|        |            | 95,49                | 30              | 1F          | 93,65                | 99  | 12        | 39   | 60  | 56 | 66 | 1,17 | PHP 66-AT10-30RSB |      |                   |
|        |            | 101,86               | 32              | 1F          | 100,00               | 106 | 12        | 42   | 65  | 56 | 66 | 1,30 | PHP 66-AT10-32RSB |      |                   |
|        |            | 111,41               | 35              | 1F          | 109,55               | 115 | 16        | 45   | 70  | 56 | 66 | 1,47 | PHP 66-AT10-35RSB |      |                   |
|        |            | 114,59               | 36              | 1F          | 112,75               | 119 | 16        | 45   | 70  | 56 | 66 | 1,64 | PHP 66-AT10-36RSB |      |                   |
|        |            | 120,96               | 38              | 1F          | 119,10               | 125 | 16        | 48   | 75  | 56 | 66 | 1,82 | PHP 66-AT10-38RSB |      |                   |
|        |            | 127,32               | 40              | 1F          | 125,45               | 131 | 16        | 52   | 80  | 56 | 66 | 2,00 | PHP 66-AT10-40RSB |      |                   |

## Metric timing pulleys

10 mm pitch type AT pilot bore (RSB)

| Pitch | Belt width | Pitch diameter<br>PD | Number of teeth | Pulley type | Dimensions           |   |           |      |     |    | Mass | Designation |                   |  |  |
|-------|------------|----------------------|-----------------|-------------|----------------------|---|-----------|------|-----|----|------|-------------|-------------------|--|--|
|       |            |                      |                 |             | Outer diameter<br>OD | A | B<br>Min. | Max. | H   | F  |      |             | L                 |  |  |
| mm    |            |                      | –               | –           | mm                   |   |           |      |     |    |      | kg          | –                 |  |  |
| 10    | 50         | 133,69               | 42              | 1           | 131,85               | – | 16        | 57   | 80  | 56 | 66   | 2,18        | PHP 66-AT10-42RSB |  |  |
|       |            | 140,20               | 44              | 1           | 138,20               | – | 16        | 57   | 88  | 56 | 66   | 2,36        | PHP 66-AT10-44RSB |  |  |
|       |            | 143,24               | 45              | 1           | 141,40               | – | 16        | 59   | 90  | 56 | 66   | 2,59        | PHP 66-AT10-45RSB |  |  |
|       |            | 152,78               | 48              | 1           | 150,95               | – | 16        | 62   | 95  | 56 | 66   | 2,83        | PHP 66-AT10-48RSB |  |  |
|       |            | 171,89               | 54              | 1           | 170,05               | – | 16        | 66   | 100 | 56 | 66   | 3,34        | PHP 66-AT10-54RSB |  |  |
|       |            | 181,44               | 57              | 1           | 179,60               | – | 16        | 72   | 110 | 56 | 66   | 3,85        | PHP 66-AT10-57RSB |  |  |
|       |            | 190,98               | 60              | 1           | 189,15               | – | 16        | 72   | 110 | 56 | 66   | 4,37        | PHP 66-AT10-60RSB |  |  |
|       |            |                      |                 |             |                      |   |           |      |     |    |      |             |                   |  |  |
|       |            |                      |                 |             |                      |   |           |      |     |    |      |             |                   |  |  |
|       |            |                      |                 |             |                      |   |           |      |     |    |      |             |                   |  |  |



# Smart Tools



Belt tools ..... 336



Shaft alignment tools..... 339

## Belt tools

SKF Belt Frequency Meter PHL FM 10/400

### SKF Belt Frequency Meter PHL FM 10/400

#### One of the most accurate belt tension measurement methods

Correct belt tension is crucial for the whole drive system, its service life and the service life of associated components such as bearings and seals. Therefore, it is important to get accurate and reliable results when measuring belt tension.

The SKF Belt Frequency Meter is one of the most accurate tools available for measuring belt tension. Readings are quick, reliable and, most importantly, repeatable. The tool is extremely easy to use and minimizes the risk of errors.

#### Wide range of applications

The SKF Belt Frequency Meter consists of a hand-held meter and an optical sensor to provide contact-free belt tension measurements for most of the following belt types, even in a noisy environment:

- V-Belts (wrapped, cogged raw edge, ribbed)
- Banded V-Belts
- Timing belts

The SKF Belt Frequency Meter is capable of measuring belt vibration frequencies from 10 to 400 Hz. Based upon the measured belt frequency, the SKF Belt Frequency Meter calculates belt tensions up to 9 900 N (2 200 lbs.).

#### Easy and quick to use

- Simply key-in the span length and mass data. Data can also be saved and recalled for repeated use, if necessary
- Aim sensor at centre of selected belt span and pluck or tap the belt
- The display will show the measured frequency which can be toggled to either newton or pound force values
- Readjust the belt tension, if necessary, and take another measurement to confirm correct tension





## Belt tools

### SKF Belt Tension System

#### High quality belt drive maintenance – reduces time and effort

The SKF Belt Tension System is a motor base for electric motors. Due to the system's hydraulic cylinders, belt maintenance becomes an easy task. The SKF Belt Tension System allows quick belt replacement and tensioning, while not disturbing the initial alignment. By connecting a hand-held hydraulic pump, the cylinders of the SKF Belt Tension System can be moved up and down. This enables a controlled moving of the motor axis which is directly related to the belt tension and the pressure in the cylinders. This unique function allows for quick and easy belt tension checks as well as belt replacements.

Additional required and recommended tools: Only a hammer and a hand-held hydraulic pump, such as the SKF THPT1, are required for using the SKF Belt Tension System. Additionally, it is recommended that you use a laser alignment tool, e.g. the SKF Belt Alignment Tool TMEB 2, and the SKF Belt Frequency Meter for checking the tension of the belt when the SKF Belt Tension System is initially installed.

#### Selection guide for the SKF Belt Tension System:

| Designation    | IEC Motor class |
|----------------|-----------------|
| PHL 160/180 H1 | 160 and 180     |
| PHL 200/225 H1 | 200 and 225     |
| PHL 250/280 H1 | 250 and 280     |
| PHL 315 H1     | 315             |
| PHL 355 H1     | 355             |
| PHL 400 H1     | 400             |

In addition, several NEMA standard motors can be mounted on the SKF Belt Tension System. To do this, please contact SKF for additional information.

#### Various benefits for the belt drive achieved by use of this system

- Alignment is necessary only once, independent of the number of belt replacements
- Safe, simple and fast belt replacement
- Less costly, time-consuming breakdowns of the whole system
- Less vibration improves system efficiency
- Quick and reliable tension checks
- Easy preventive maintenance
- Repeatable maintenance quality
- Reduced costs due to prolonged belt life



## Belt tools

### SKF Belt Alignment Tool TMEB 2

#### SKF Belt Alignment Tool TMEB 2

##### **Belt-driven machinery downtime caused by misalignment is a thing of the past**

The SKF Belt Alignment Tool, TMEB 2, aligns the pulleys where it counts most – in the grooves. V-guides and powerful magnets allow the TMEB 2 to be fitted in the grooves of the pulley. With only two components, a laser-emitting unit and a receiver unit, the TMEB 2 is fast and easy to attach. The three-dimensional target area on the receiver unit allows the easy detection of misalignment as well as its nature; whether it is horizontal, vertical, parallel or a combination of all three. Armed with this precise information, the operator can easily make the appropriate adjustments until the laser line corresponds with the reference line on the receiver unit.

##### **Versatile and user-friendly**

- Powerful magnets allow fast and easy attachment
- Easy-to-use, requires no special training to operate
- Three-dimensional target area simplifies the alignment process
- Facilitates simultaneous adjustment of tension and alignment
- V-guides facilitate the alignment of a wide range of V-belt pulleys
- Special side adaptor, allowing alignment of multi-ribbed and timing belt pulleys as well as chain sprockets, is available as accessory
- A maximum operating distance of 6 meters (20 ft.) makes it suitable for use in various applications
- Sturdy aluminium housings provide great assembly stability and accuracy

##### **Pinpoint accuracy with laser technology**

- Aligns grooves of the pulley rather than its face, allowing the alignment of pulleys of unequal width or with dissimilar faces – even fits applications where the pulley face cannot be used as a reference
- No trial and error. The laser position indicates the nature of misalignment allowing easy and accurate adjustment



## Shaft alignment tools

TKSA Series

Pinpoint accurate alignment simply achieved

The SKF Shaft Alignment Tools, TKSA series, offer you simplicity with a high degree of accuracy.

### Measuring, aligning and documenting

These highly innovative tools feature a three-step process for measuring and correcting alignment. First, measure the machinery's current alignment status. Then, align the machine vertically and horizontally. Finally, document and keep track of the alignment activities.

These three simple steps allow you to easily and effectively align shafts using advanced laser technology.

### Features

- Easy-to-use, three-step process: measure-align-document
- Compact, lightweight design
- Spirit levels allow easy and fast positioning of the measuring units
- Measurements in millimetres or inches facilitate worldwide use
- Supplied in sturdy, lightweight carrying cases for portability



## SKF Shaft Alignment Tool

TKSA 20 | TKSA 40

The quick, easy and affordable laser shaft alignment tool

The TKSA 20 is an easy-to-use laser shaft alignment tool, which requires no special training to operate. Compared to traditional dial indicator methods, the shaft alignment process is greatly simplified, as no additional calculations are required in order to make the necessary adjustments.

### Features

- Alignment actions displayed: Clear “real-time” coupling and feet values, given during the alignment process, make alignment corrections quick and easy
- Soft foot check: “Soft foot” function helps determine if the machine is standing evenly on all feet; an essential check for good shaft alignment
- Easy pre-alignment: For machines that are grossly misaligned, the laser lines and scales enable rapid pre-alignment
- Easy for inexperienced users: Quick Start Guide allows virtually any technician to quickly become familiar with the process. Full instructions, instructional video and alignment report forms in multiple languages supplied on a CD
- The attractively priced TKSA 20 easily provides a short return on investment



The intuitive laser shaft alignment tool allows results to be stored and shared

The TKSA 40 is intuitive in operation, thanks to its animated graphical interface. Not only is it quick and easy to use, but alignment results can be stored and shared using a USB cable and a PC. Compared to traditional methods, the shaft alignment process is greatly simplified; just follow the instructions on the screen to make a precise alignment.

### Features

- Intuitive: Animated graphical interface on a 4 inch back-lit screen and alphanumeric key functions simplify the whole process
- Alignment actions displayed: Clear “real-time” coupling and feet values, given during the alignment process, make alignment corrections quick and easy
- Built-in alignment recommendation: Predefined and user definable tolerance tables greatly simplify assessment of the alignment
- Alignment data sharing: Alignment settings and results can be stored in the internal memory or downloaded via USB cable to a PC. Files are easily shared with others without the need of special software.
- Soft foot check: “Soft foot” function helps determine if the machine is standing evenly on all feet; an essential check for good shaft alignment
- Easy pre-alignment: For machines that are grossly misaligned, the laser lines and scales enable rapid pre-alignment
- Easy for all users: A Quick Start Guide and intuitive menus allow virtually any technician to quickly be familiar with the process. Full instructions are supplied on a CD in multiple languages



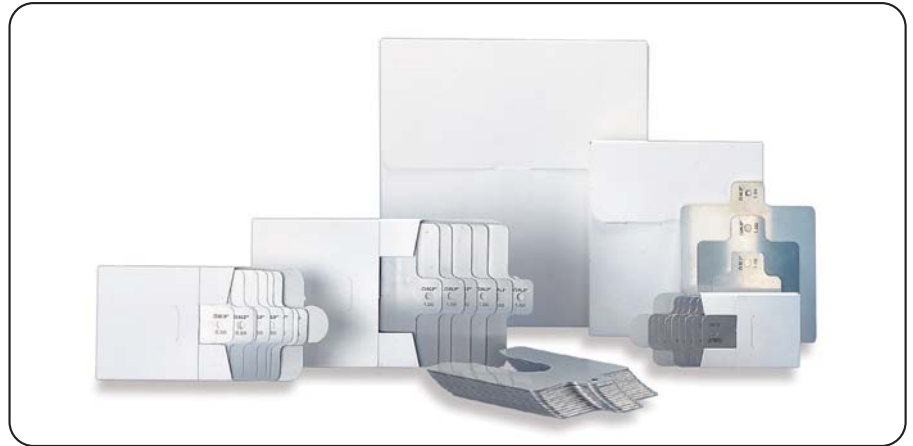
## Shaft alignment tools

### TMAS shim kits

#### For accurate vertical machinery alignment

Accurate machine adjustment is an essential element of any alignment process. SKF single slot pre-cut shims are available in five different dimensions and in ten different thicknesses.

- Made of high quality stainless steel allowing re-use
- Easy to fit and to remove
- Close tolerances for accurate alignment
- Thickness clearly marked on each shim
- Fully de-burred
- Pre-cut shims are supplied in packs of 10 and complete kits are also available



#### Contents TMAS Shim Kits

|                 |             |      |      |      |      |      |      |      |      |
|-----------------|-------------|------|------|------|------|------|------|------|------|
| <b>TMAS 340</b> |             |      |      |      |      |      |      |      |      |
| Thickness (mm)  | 0,05        | 0,10 | 0,20 | 0,25 | 0,40 | 0,50 | 0,70 | 1,00 | 2,00 |
| Size (mm)       | Quantities: |      |      |      |      |      |      |      |      |
| 100x100         | 20          | 20   | 20   | 20   | 20   | 20   | 20   | 20   | 10   |
| 125x125         | 20          | 20   | 20   | 20   | 20   | 20   | 20   | 20   | 10   |
| <b>TMAS 360</b> |             |      |      |      |      |      |      |      |      |
| Thickness (mm)  | 0,05        | 0,10 | 0,25 | 0,50 | 1,00 | 2,00 |      |      |      |
| Size (mm)       | Quantities: |      |      |      |      |      |      |      |      |
| 50x50           | 20          | 20   | 20   | 20   | 20   | 20   |      |      |      |
| 75x75           | 20          | 20   | 20   | 20   | 20   | 20   |      |      |      |
| 100x100         | 20          | 20   | 20   | 20   | 20   | 20   |      |      |      |
| <b>TMAS 510</b> |             |      |      |      |      |      |      |      |      |
| Thickness (mm)  | 0,05        | 0,10 | 0,20 | 0,25 | 0,40 | 0,50 | 0,70 | 1,00 | 2,00 |
| Size (mm)       | Quantities: |      |      |      |      |      |      |      |      |
| 50x50           | 20          | 20   | 20   | 20   | 20   | 20   | 20   | 20   | 10   |
| 75x75           | 20          | 20   | 20   | 20   | 20   | 20   | 20   | 20   | 10   |
| 100x100         | 20          | 20   | 20   | 20   | 20   | 20   | 20   | 20   | 10   |
| <b>TMAS 720</b> |             |      |      |      |      |      |      |      |      |
| Thickness (mm)  | 0,05        | 0,10 | 0,20 | 0,25 | 0,40 | 0,50 | 0,70 | 1,00 | 2,00 |
| Size (mm)       | Quantities: |      |      |      |      |      |      |      |      |
| 50x50           | 20          | 20   | 20   | 20   | 20   | 20   | 20   | 20   | 20   |
| 75x75           | 20          | 20   | 20   | 20   | 20   | 20   | 20   | 20   | 20   |
| 100x100         | 20          | 20   | 20   | 20   | 20   | 20   | 20   | 20   | 20   |
| 125x125         | 20          | 20   | 20   | 20   | 20   | 20   | 20   | 20   | 20   |



TMAS 340



TMAS 360



TMAS 510



TMAS 720





